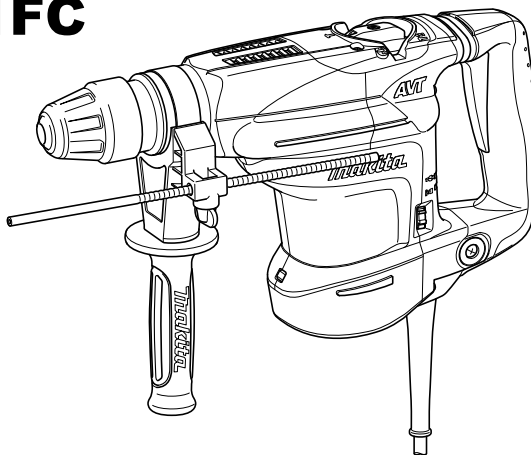
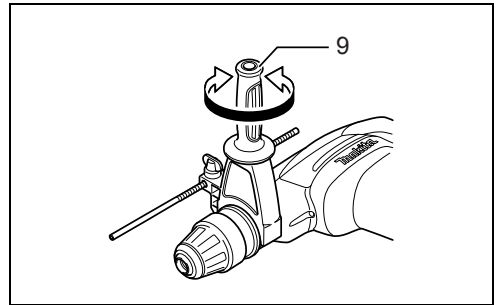
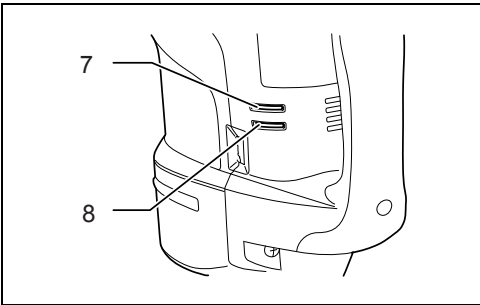
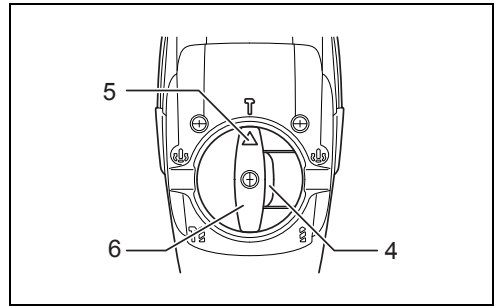
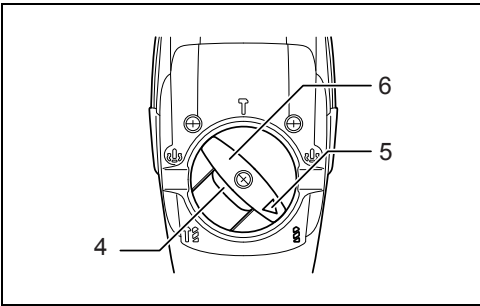
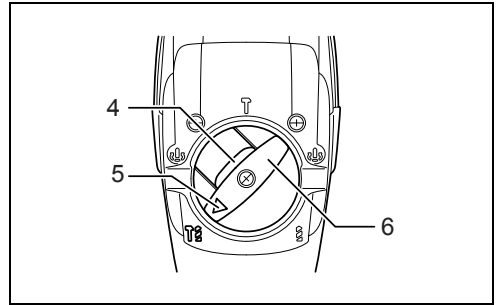
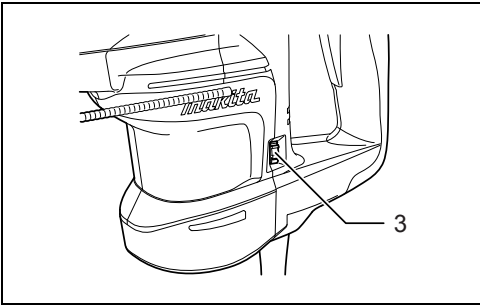
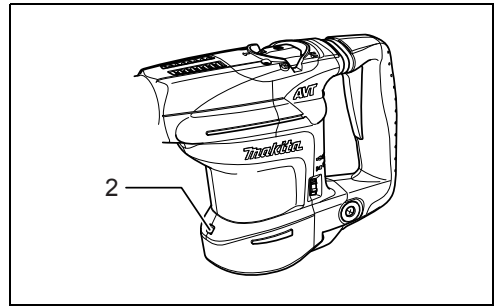
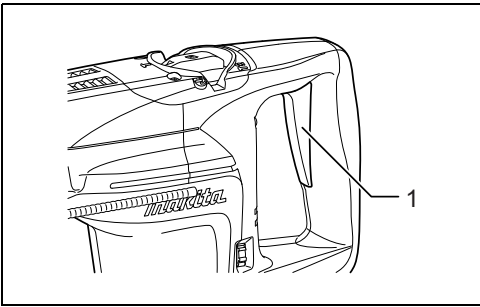


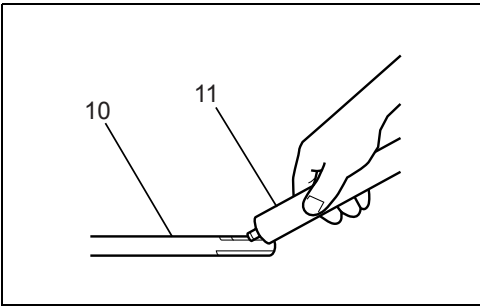


GB Combination Hammer	Instruction manual
F Marteau-perforateur-burineur	Manuel d'instructions
D Kombi-Hammer	Betriebsanleitung
I Martello combinato	Istruzioni per l'uso
NL Combinatiehamer	Gebruiksaanwijzing
E Martillo combinado	Manual de instrucciones
P Martelo combinado	Manual de instruções
DK Kombinationshammer	Brugsanvisning
GR Πνευματικό-σκαπτικό δράπανο	Οδηγίες χρήσης

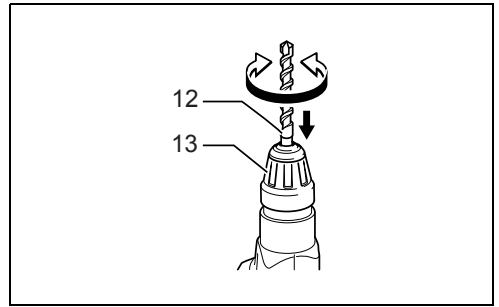
HR3540C
HR3541FC



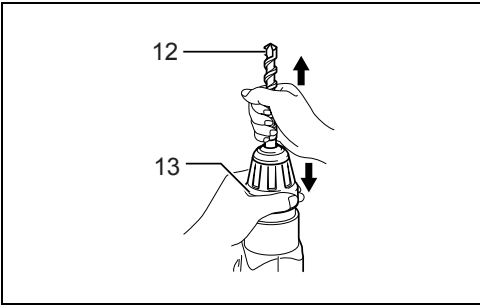




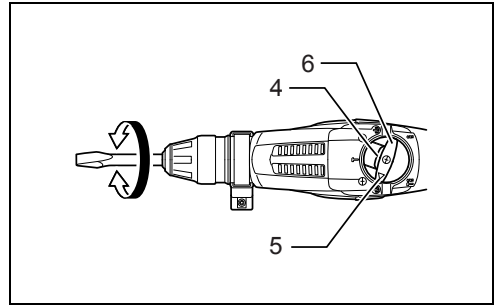
9



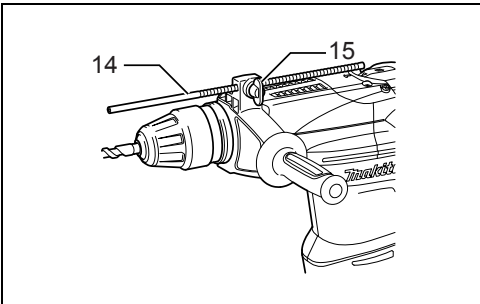
10



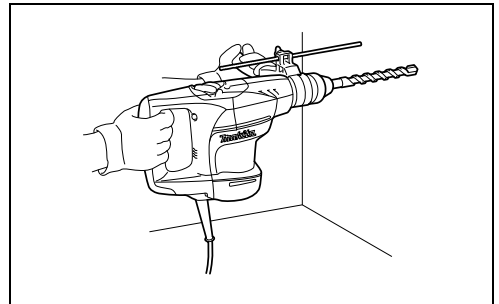
11



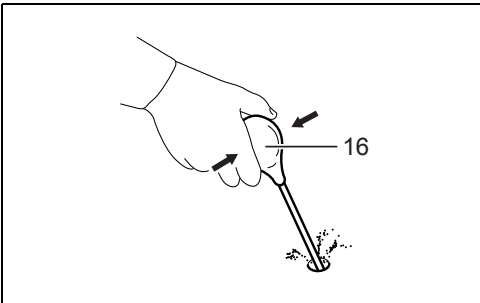
12



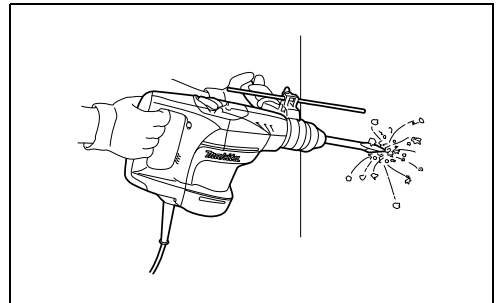
13



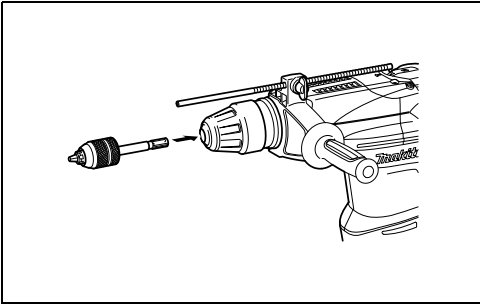
14



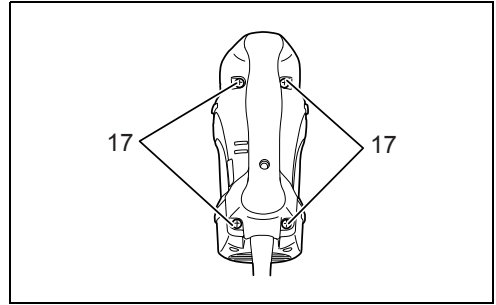
15



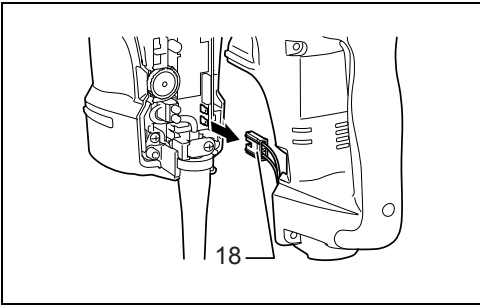
16



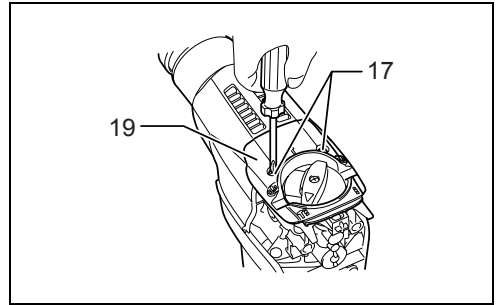
17



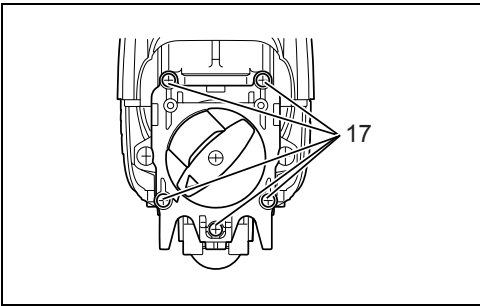
18



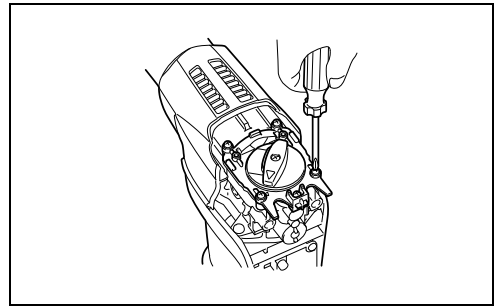
19



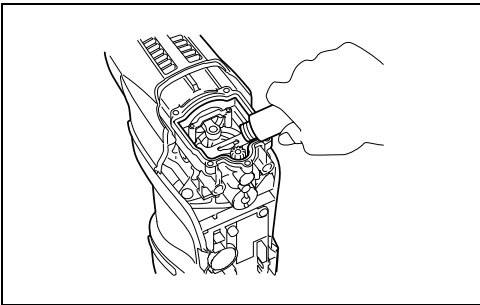
20



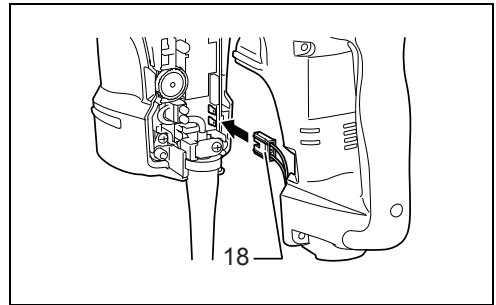
21



22



23



24

ENGLISH

Explanation of general view

- | | | |
|------------------------------------|---------------------------------|---------------------|
| 1. Switch trigger | 8. Service indicator lamp (red) | 15. Clamp screw |
| 2. Lamp | 9. Side grip | 16. Blow-out bulb |
| 3. Adjusting dial | 10. Bit shank | 17. Screws |
| 4. Lock button | 11. Bit grease | 18. Connector |
| 5. Pointer | 12. Bit | 19. Crank cap cover |
| 6. Change lever | 13. Chuck cover | |
| 7. Power-ON indicator lamp (green) | 14. Depth gauge | |

SPECIFICATIONS

Model		HR3540C	HR3541FC
Capacities	Concrete	Tungsten-carbide tipped bit	35 mm
		Core bit	90 mm
	Steel	13 mm	
	Wood	32 mm	
No load speed (min ⁻¹)		315 - 630	
Blows per minute		1,650 - 3,300	
Overall length		439 mm	
Net weight		5.2 kg	5.6 kg
Safety class		II/II	

- Due to our continuing programme of research and development, the specifications herein are subject to change without notice.
- Specifications may differ from country to country.
- Weight according to EPTA-Procedure 01/2003

Intended use

ENE044-1

The tool is intended for hammer drilling in brick, concrete and stone as well as for chiselling work.


Power supply

ENF002-1

The tool should be connected only to a power supply of the same voltage as indicated on the nameplate, and can only be operated on single-phase AC supply. They are double-insulated in accordance with European Standard and can, therefore, also be used from sockets without earth wire.

General Power Tool Safety Warnings

GEA010-1

 **WARNING** Read all safety warnings and all instructions. Failure to follow the warnings and instructions may result in electric shock, fire and/or serious injury.

Save all warnings and instructions for future reference.

ROTARY HAMMER SAFETY WARNINGS

GEB007-7

1. **Wear ear protectors.** Exposure to noise can cause hearing loss.
2. **Use auxiliary handle(s), if supplied with the tool.** Loss of control can cause personal injury.

3. **Hold power tool by insulated gripping surfaces, when performing an operation where the cutting accessory may contact hidden wiring or its own cord.** Cutting accessory contacting a "live" wire may make exposed metal parts of the power tool "live" and could give the operator an electric shock.
4. **Wear a hard hat (safety helmet), safety glasses and/or face shield. Ordinary eye or sun glasses are NOT safety glasses. It is also highly recommended that you wear a dust mask and thickly padded gloves.**
5. **Be sure the bit is secured in place before operation.**
6. **Under normal operation, the tool is designed to produce vibration. The screws can come loose easily, causing a breakdown or accident. Check tightness of screws carefully before operation.**
7. **In cold weather or when the tool has not been used for a long time, let the tool warm up for a while by operating it under no load. This will loosen up the lubrication. Without proper warm-up, hammering operation is difficult.**
8. **Always be sure you have a firm footing. Be sure no one is below when using the tool in high locations.**
9. **Hold the tool firmly with both hands.**
10. **Keep hands away from moving parts.**
11. **Do not leave the tool running. Operate the tool only when hand-held.**

12. Do not point the tool at any one in the area when operating. The bit could fly out and injure someone seriously.
13. Do not touch the bit or parts close to the bit immediately after operation; they may be extremely hot and could burn your skin.
14. Some material contains chemicals which may be toxic. Take caution to prevent dust inhalation and skin contact. Follow material supplier safety data.

SAVE THESE INSTRUCTIONS.

WARNING:

DO NOT let comfort or familiarity with product (gained from repeated use) replace strict adherence to safety rules for the subject product. MISUSE or failure to follow the safety rules stated in this instruction manual may cause serious personal injury.

FUNCTIONAL DESCRIPTION

CAUTION:

- Always be sure that the tool is switched off and unplugged before adjusting or checking function on the tool.

Switch action (Fig. 1)

CAUTION:

- Before plugging in the tool, always check to see that the switch trigger actuates properly and returns to the "OFF" position when released.

To start the tool, simply pull the switch trigger. Release the switch trigger to stop.

Lighting up the lamp

For Model HR3541FC (Fig. 2)

CAUTION:

- Do not look in the light or see the source of light directly.

Pull the switch trigger to turn on the light. The lamp keeps on lighting while the switch trigger is being pulled.

The lamp turns off 10 - 20 seconds after releasing the trigger.

NOTE:

- Use a dry cloth to wipe the dirt off the lens of lamp. Be careful not to scratch the lens of lamp, or it may lower the illumination.

Speed change (Fig. 3)

The revolutions and blows per minute can be adjusted just by turning the adjusting dial. The dial is marked 1 (lowest speed) to 5 (full speed).

Refer to the table below for the relationship between the number settings on the adjusting dial and the revolutions/blows per minute.

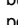
Number on adjusting dial	Revolutions per minute	Blows per minute
5	630	3,300
4	590	3,100
3	480	2,500
2	370	1,900
1	315	1,650

CAUTION:

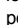
- If the tool is operated continuously at low speeds for a long time, the motor will get overloaded, resulting in tool malfunction.
- The speed adjusting dial can be turned only as far as 5 and back to 1. Do not force it past 5 or 1, or the speed adjusting function may no longer work.

Selecting the action mode


Rotation with hammering (Fig. 4)

For drilling in concrete, masonry, etc., depress the lock button and rotate the change lever so that the pointer points to the  symbol. Use a tungsten-carbide tipped bit.

Rotation only (Fig. 5)

For drilling in wood or metal, materials, etc., depress the lock button and rotate the change lever so that the pointer points to the  symbol. Use a twist drill bit or wood bit.

Hammering only (Fig. 6)

For chipping, scaling or demolition operations, depress the lock button and rotate the change lever so that the pointer points to the  symbol. Use a bull point, cold chisel, scaling chisel, etc.

CAUTION:

- Do not rotate the change lever when the tool is running under load. The tool will be damaged.
- To avoid rapid wear on the mode change mechanism, be sure that the change lever is always positively located in one of the three action mode positions.

Torque limiter

The torque limiter will actuate when a certain torque level is reached. The motor will disengage from the output shaft. When this happens, the bit will stop turning.

CAUTION:

- As soon as the torque limiter actuates, switch off the tool immediately. This will help prevent premature wear of the tool.

Indicator lamp (Fig. 7)

The green power-ON indicator lamp lights up when the tool is plugged. If the indicator lamp does not light up, the main cord or the controller may be defective. The indicator lamp is lit but the tool does not start even if the tool is switched on, the carbon brushes may be worn out, or the controller, the motor or the ON/OFF switch may be defective.

The red service indicator lamp lights up when the carbon brushes are nearly worn out to indicate that the tool needs servicing. After approx. 8 hours of use, the motor will automatically be shut off.

ASSEMBLY

CAUTION:

- Always be sure that the tool is switched off and unplugged before carrying out any work on the tool.

Installing side grip (auxiliary handle) (Fig. 8)

CAUTION:

- Always use the side grip to ensure operating safety when drilling in concrete, masonry, etc.

The side grip swings around to either side, allowing easy handling of the tool in any position. Loosen the side grip by turning it counterclockwise, swing it to the desired position and then tighten it by turning clockwise.

Installing or removing the bit (Fig. 9)

Clean the bit shank and apply bit grease before installing the bit.


Insert the bit into the tool. Turn the bit and push it in until it engages. (Fig. 10)


If the bit cannot be pushed in, remove the bit. Pull the chuck cover down a couple of times. Then insert the bit again. Turn the bit and push it in until it engages.

After installing, always make sure that the bit is securely held in place by trying to pull it out.

To remove the bit, pull the chuck cover down all the way and pull the bit out. (Fig. 11)

Bit angle (when chipping, scaling or demolishing) (Fig. 12)

The bit can be secured at 24 different angles. To change the bit angle, depress the lock button and rotate the change lever so that the pointer points to the  symbol. Turn the bit to the desired angle.

Depress the lock button and rotate the change lever so that the pointer points to the  symbol. Then make sure that the bit is securely held in place by turning it slightly.

Depth gauge (Fig. 13)

The depth gauge is convenient for drilling holes of uniform depth. Loosen the clamp screw and adjust the depth gauge to the desired depth. After adjusting, tighten the clamp screw firmly.

NOTE:

- The depth gauge cannot be used at the position where the depth gauge strikes against the gear housing/motor housing.

OPERATION

CAUTION:

- Always use the side grip (auxiliary handle) and firmly hold the tool by both side grip and switch handle during operations.

Hammer drilling operation (Fig. 14)

Set the change lever to the  symbol.

Position the bit at the desired location for the hole, then pull the switch trigger. Do not force the tool. Light pressure gives best results. Keep the tool in position and prevent it from slipping away from the hole.

Do not apply more pressure when the hole becomes clogged with chips or particles. Instead, run the tool at an idle, then remove the bit partially from the hole. By repeating this several times, the hole will be cleaned out and normal drilling may be resumed.


CAUTION:

- When the bit begins to break through concrete or if the bit strikes reinforcing rods embedded in concrete, the tool may react dangerously. Maintain good balance and safe footing while holding the tool firmly with both hands to prevent dangerous reaction.

Blow-out bulb (optional accessory) (Fig. 15)

After drilling the hole, use the blow-out bulb to clean the dust out of the hole.

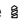
Chipping/Scaling/Demolition (Fig. 16)

Set the change lever to the  symbol.

Hold the tool firmly with both hands. Turn the tool on and apply slight pressure on the tool so that the tool will not bounce around, uncontrolled. Pressing very hard on the tool will not increase the efficiency.

Drilling in wood or metal (Fig. 17)

Use the optional keyless drill chuck assembly. When installing it, refer to "Installing or removing the bit" described on the previous page.


Set the change lever so that the pointer points to the  symbol.

Hold the ring and turn the sleeve counterclockwise to open the chuck jaws. Place the bit in the chuck as far as it will go. Hold the ring firmly and turn the sleeve clockwise to tighten the chuck. To remove the bit, hold the ring and turn the sleeve counterclockwise.

CAUTION:

- Never use "rotation with hammering" when the quick change drill chuck is installed on the tool. The quick change drill chuck may be damaged.
- Pressing excessively on the tool will not speed up the drilling. In fact, this excessive pressure will only serve to damage the tip of your bit, decrease the tool performance and shorten the service life of the tool.
- There is a tremendous twisting force exerted on the tool/bit at the time of hole breakthrough. Hold the tool firmly and exert care when the bit begins to break through the workpiece.
- Always secure small workpieces in a vise or similar hold-down device.

Diamond core drilling

When performing diamond core drilling operations, always set the change lever to the  position to use "rotation only" action.

CAUTION:

- If performing diamond core drilling operations using "rotation with hammering" action, the diamond core bit may be damaged.

MAINTENANCE

CAUTION:

- Always be sure that the tool is switched off and unplugged before attempting to perform inspection or maintenance.
- Never use gasoline, benzine, thinner, alcohol or the like. Discoloration, deformation or cracks may result.

Lubrication

CAUTION:

- This servicing should be performed by Makita Authorized or Factory Service Centers only.

This tool requires no hourly or daily lubrication because it has a grease-packed lubrication system. However, it is recommended to periodically replace the grease for longer tool life.

Run the tool for several minutes to warm it up. Switch off and unplug the tool.

Loosen the four screws and remove the handle. Note that the top screws are different from other screws. (Fig. 18)

Disconnect the connector by pulling them. (Fig. 19)

Loosen the two screws on crank cap cover and remove the crank cap cover. (Fig. 20)

Align the change lever with the symbol Δ , loosen the five screws and then remove the crank cap. (Fig. 21 & 22)

CAUTION:

- Always remove the crank cap only after aligning the change lever with the symbol Δ . Never remove it forcibly without aligning the change lever with the symbol Δ . Failure to do so does not allow reassembling. (Fig. 23)

Rest the tool on the table with the bit end pointing upwards. This will allow the old grease to collect inside the crank housing.

Wipe out the old grease inside and replace with a fresh grease (30 g). Use only Makita genuine hammer grease (optional accessory). Filling with more than the specified amount of grease (approx. 30 g) can cause faulty hammering action or tool failure. Fill only with the specified amount of grease.

CAUTION:

- Be careful not to damage the connector or lead wires especially when wiping out the old grease.

To reassemble the tool, follow the disassembling procedure in reverse.

CAUTION:

- Do not tighten the crank cap excessively. It is made of resin and is subject to breakage. (Fig. 24)

Connect the connector firmly and then reinstall the handle.

CAUTION:

- Be careful not to damage the connector or lead wires especially when installing the handle.

To maintain product SAFETY and RELIABILITY, repairs, carbon brush inspection and replacement, any other maintenance or adjustment should be performed by Makita Authorized Service Centers, always using Makita replacement parts.

ACCESSORIES

CAUTION:

- These accessories or attachments are recommended for use with your Makita tool specified in this manual. The use of any other accessories or attachments might present a risk of injury to persons. Only use accessory or attachment for its stated purpose.

If you need any assistance for more details regarding these accessories, ask your local Makita Service Center.

- SDS-Max Carbide-tipped bits
- Bull point
- Core bit
- Cold chisel
- Diamond core bit
- Hammer grease
- Scaling chisel
- Grooving chisel
- Keyless drill chuck assembly
- Bit grease
- Side grip
- Depth gauge
- Blow-out bulb
- Safety goggles
- Plastic carrying case

For Model HR3540C

Noise

ENG102-3

The typical A-weighted noise level determined according to EN60745:

Sound pressure level (L_{pA}): 93 dB (A)

Sound power level (L_{WA}): 104 dB (A)

Uncertainty (K): 3 dB (A)

Wear ear protection.

Vibration

ENG215-2

The vibration total value (tri-axial vector sum) determined according to EN60745:

Work mode: chiseling function

Vibration emission ($a_{h,CHeq}$): 12.5 m/s²

Uncertainty (K): 1.5 m/s²

ENG303-2

Work mode: hammer drilling into concrete

Vibration emission ($a_{h,HD}$): 18.0 m/s²

Uncertainty (K): 1.5 m/s²

ENG301-1

Work mode: drilling into metal

Vibration emission ($a_{h,D}$): 2.5 m/s²

Uncertainty (K): 1.5 m/s²

For Model HR3541FC

Noise

ENG102-3

The typical A-weighted noise level determined according to EN60745:

Sound pressure level (L_{pA}): 91 dB (A)

Sound power level (L_{WA}): 102 dB (A)

Uncertainty (K): 3 dB (A)

Wear ear protection.

Vibration

ENG215-2

The vibration total value (tri-axial vector sum) determined according to EN60745:

Work mode: chiseling function

Vibration emission ($a_{h,CHeq}$): 9.0 m/s²

Uncertainty (K): 1.5 m/s²

ENG303-2

Work mode: hammer drilling into concrete

Vibration emission ($a_{h,HD}$): 11.0 m/s²

Uncertainty (K): 1.5 m/s²

ENG302-2

Work mode: drilling into metal

Vibration emission ($a_{h,D}$): 2.5 m/s² or less

Uncertainty (K): 1.5 m/s²

ENH101-13

For European countries only

EC Declaration of Conformity

We Makita Corporation as the responsible manufacturer declare that the following Makita machine(s):

Designation of Machine:

Combination Hammer

Model No./ Type: HR3540C, HR3541FC

are of series production and

Conforms to the following European Directives:

98/37/EC until 28th December 2009 and then with

2006/42/EC from 29th December 2009

And are manufactured in accordance with the following standards or standardised documents:

EN60745

The technical documentation is kept by our authorised representative in Europe who is:

Makita International Europe Ltd.,

Michigan, Drive, Tongwell,

Milton Keynes, MK15 8JD, England

30th January 2009



Tomoyasu Kato
Director

Makita Corporation
3-11-8, Sumiyoshi-cho
Anjo, Aichi, JAPAN

Descriptif

- | | | |
|--|------------------------------------|-----------------------------------|
| 1. Gâchette | 8. Lampe témoin de service (rouge) | 16. Poire souffiante |
| 2. Lampe | 9. Poignée latérale | 17. Vis |
| 3. Cadran de réglage | 10. Arbre du foret | 18. Connecteur |
| 4. Bouton de verrouillage | 11. Graisse à foret | 19. Cache du bouchon de manivelle |
| 5. Index | 12. Foret | |
| 6. Levier de changement | 13. Couvercle du mandrin | |
| 7. Lampe témoin d'alimentation ACTIVE (vert) | 14. Jauge de profondeur | |
| | 15. Vis de serrage | |

SPÉCIFICATIONS

Modèle		HR3540C	HR3541FC
Capacités	Béton	Foret à pointe de carbure de tungstène	35 mm
		Trépan carottier	90 mm
	Acier		13 mm
	Bois		32 mm
Vitesse à vide (min ⁻¹)		315 - 630	
Frappes par minute		1 650 - 3 300	
Longueur totale		439 mm	
Poids net		5,2kg	5,6 kg
Niveau de sécurité		☐/II	

- Étant donné l'évolution constante de notre programme de recherche et de développement, les spécifications contenues dans ce manuel sont sujettes à des modifications sans préavis.
- Les spécifications peuvent varier d'un pays à l'autre.
- Poids conforme à la procédure EPTA 01/2003

Utilisations

ENE044-1

L'outil est conçu pour le perçage avec impacts et le perçage dans la brique, le béton et la pierre, ainsi que pour les travaux de défoncement.

Alimentation

ENF002-1

L'outil ne doit être raccordé qu'à une alimentation de la même tension que celle qui figure sur la plaque signalétique, et il ne peut fonctionner que sur un courant secteur monophasé. Réalisé avec une double isolation, il est conforme à la réglementation européenne et peut de ce fait être alimenté sans mise à la terre.

Consignes de sécurité générales des outils électriques

GEA010-1

⚠ AVERTISSEMENT Veuillez lire toutes les consignes de sécurité et les instructions. Il y a un risque de choc électrique, d'incendie et/ou de blessure grave si les consignes et les instructions ne sont pas toutes respectées.

Conservez toutes les consignes et instructions pour référence ultérieure.**CONSIGNES DE SÉCURITÉ RELATIVES AU MARTEAU ROTATIF**

GEB007-7

1. **Portez des protections auditives.** L'exposition au bruit peut entraîner une perte de l'ouïe.
2. **Utilisez la/les poignée(s) auxiliaire(s) qui équipent éventuellement l'outil.** La perte de maîtrise comporte un risque de blessure.
3. **Tenez l'outil à l'aide des surfaces de prise isolées lorsque vous exécutez une opération susceptible de mettre en contact l'accessoire de coupe et les fils cachés ou le propre cordon de l'outil.** Il est possible que le contact avec un fil sous tension mette les parties métalliques exposées de l'outil sous tension, risquant ainsi de provoquer un choc électrique chez l'utilisateur.
4. **Portez une coiffure résistante (un casque de sécurité), des lunettes de sécurité et/ou une visière.** Les lunettes ordinaires et les lunettes de soleil ne sont PAS des lunettes de sécurité. Nous vous recommandons également de porter un masque anti-poussières et des gants très épais.
5. **Assurez-vous que le foret est bien serré avant d'utiliser l'outil.**
6. **Même en conditions normales d'utilisation, l'outil produit des vibrations.** Les vis peuvent ainsi se relâcher facilement, ce qui risque d'entraîner une rupture de pièce ou un accident.

Avant l'utilisation, vérifiez avec soin que les vis sont bien serrées.

7. À basse température ou lorsque l'outil est resté inutilisé pour une période prolongée, laissez-le réchauffer un instant en le faisant fonctionner à vide. Cela permettra au lubrifiant de réchauffer. Le martèlement sera difficile si l'outil n'est pas bien réchauffé.
8. Assurez-vous toujours d'une bonne position d'équilibre.
Assurez-vous que personne ne se trouve dessous lorsque vous utilisez l'outil en position élevée.
9. Tenez l'outil fermement à deux mains.
10. Gardez les mains éloignées des pièces en mouvement.
11. N'abandonnez pas l'outil alors qu'il tourne. Ne faites fonctionner l'outil qu'une fois que vous l'avez bien en main.
12. Pendant l'utilisation de l'outil, ne le pointez vers personne dans la zone de travail. Vous risqueriez de blesser gravement quelqu'un en cas d'éjection du foret.
13. Ne touchez ni le foret ni les pièces adjacentes immédiatement après l'utilisation de l'outil. Ils risquent d'être extrêmement chauds et de vous brûler gravement la peau.
14. Certains matériaux contiennent des produits chimiques qui peuvent être toxiques. Prenez les précautions nécessaires pour ne pas inhaler les poussières qu'ils dégagent et pour éviter tout contact avec la peau. Conformez-vous aux consignes de sécurité du fabricant du matériau.

CONSERVEZ CES INSTRUCTIONS.

AVERTISSEMENT :

NE vous laissez **PAS** tromper (au fil d'une utilisation répétée) par un sentiment d'aisance et de familiarité avec le produit, en négligeant le respect rigoureux des consignes de sécurité qui accompagnent l'outil. Une **UTILISATION INCORRECTE** de l'outil ou un non-respect des consignes de sécurité indiquées dans ce manuel d'instructions peuvent causer des blessures graves.

DESCRIPTION DU FONCTIONNEMENT

ATTENTION :

- Assurez-vous toujours que l'outil est éteint et débranché avant de l'ajuster ou de vérifier son fonctionnement.

Interrupteur (Fig. 1)

ATTENTION :

- Avant de brancher l'outil, vérifiez toujours que la gâchette fonctionne correctement et revient en position d'arrêt (« OFF ») lorsqu'elle est relâchée.
- Pour mettre l'outil en marche, appuyez simplement sur la gâchette. Pour l'arrêter, relâchez la gâchette.

Allumage de la lampe

Pour le modèle HR3541FC (Fig. 2)

ATTENTION :

- Ne regardez pas directement la lumière ou la source de lumière.

Appuyez sur la gâchette pour allumer la lampe. La lampe demeure allumée tant que la pression sur la gâchette est maintenue.

La lampe s'éteint 10 à 20 secondes après la libération de la gâchette.

REMARQUE :

- Utilisez un chiffon sec pour essuyer les saletés qui recouvrent la lentille de la lampe.
Prenez garde de rayer la lentille de la lampe, sinon sa capacité d'éclairage sera affectée.

Changement de vitesse (Fig. 3)

Il est possible d'ajuster les révolutions et les frappes par minute en tournant simplement le cadran de réglage. Le cadran comporte les marquages 1 (vitesse la plus lente) à 5 (vitesse pleine).

Référez-vous au tableau ci-dessous pour connaître la relation entre les paramètres des numéros sur le cadran de réglage et les révolutions/frappes par minute.

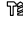
Numéro sur le cadran de réglage	Révolutions par minute	Frappes par minute
5	630	3 300
4	590	3 100
3	480	2 500
2	370	1 900
1	315	1 650

ATTENTION :

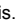
- Si l'outil est continuellement opéré à des vitesses lentes pendant longtemps, le moteur sera surchargé, ce qui entraînera un dysfonctionnement de l'outil.
- Le cadran de réglage de la vitesse ne peut être tourné que jusqu'aux positions 5 et 1. Ne le forcez pas au-delà des positions 5 ou 1, sinon la fonction du réglage de la vitesse risque de ne plus fonctionner.

Sélection du mode de fonctionnement

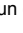
Rotation avec impacts (Fig. 4)

Pour percer dans le béton, la maçonnerie, etc., enfoncez le bouton de verrouillage et tournez le levier de mode de sorte que le pointeur se dirige vers le symbole . Utilisez un foret à pointe de carbure de tungstène.

Rotation seulement (Fig. 5)

Pour percer dans le bois, le métal ou des matériaux etc, enfoncez le bouton de verrouillage et tournez le levier de mode de sorte que le pointeur se dirige vers le symbole . Utilisez un foret hélicoïdal ou un foret à bois.

Impacts seulement (Fig. 6)

Pour des opérations de burinage, d'écaillage ou de démolition, enfoncez le bouton de verrouillage et tournez le levier de mode de sorte que le pointeur se dirige vers le symbole . Utilisez un pic, un ciseau à froid, un ciseau à écailler, etc.

ATTENTION :

- Ne tournez pas le levier de changement de mode quand l'outil fonctionne sous charge. Cela endommagera l'outil.
- Pour éviter l'usure rapide du mécanisme de changement de mode, assurez-vous que le levier de changement de mode est toujours placé avec exactitude sur l'une des trois positions de mode d'action.

Limiteur de couple

Le limiteur de couple s'active lorsqu'un niveau de couple donné est atteint. Le moteur débrayera alors de l'arbre de sortie. Lorsque cela se produit, le foret cesse de tourner.

ATTENTION :

- Éteignez l'outil immédiatement lorsque le limiteur de couple s'active. Cela aidera à prévenir l'usure trop rapide de l'outil.

Voyant (Fig. 7)

Le voyant vert de mise sous tension s'allume lorsque l'outil est branché. Si le voyant ne s'allume pas, il se peut que le cordon d'alimentation ou le contrôleur soit défectueux. Si le voyant est allumé, mais que l'outil ne démarre pas même si vous activez la gâchette, il se peut que les charbons soient usés ou que le contrôleur, le moteur ou l'interrupteur MARCHE/ARRÊT soit défectueux.

Le voyant rouge de service s'allume quand les charbons sont presque totalement usés pour indiquer que l'outil a besoin d'une opération d'entretien. Au bout d'environ 8 heures d'utilisation, le moteur s'éteindra automatiquement.

ASSEMBLAGE

ATTENTION :

- Avant d'effectuer toute intervention sur l'outil, assurez-vous toujours qu'il est éteint et débranché.

Installation de la poignée latérale (poignée auxiliaire) (Fig. 8)

ATTENTION :

- Utilisez toujours la poignée latérale pour assurer une opération sécurisée lorsque vous percez du béton, maçonnerie, etc.

La poignée latérale peut pivoter dans un sens comme dans l'autre, permettant ainsi de manipuler l'outil avec aisance dans n'importe quelle position. Desserrez la poignée latérale en la faisant tourner dans le sens inverse des aiguilles d'une montre, faites-la pivoter jusqu'à la position désirée puis resserrez-la en tournant dans le sens des aiguilles d'une montre.

Installation et retrait du foret (Fig. 9)


Nettoyez l'arbre du foret et appliquez de la graisse à foret avant d'installer le foret.

Insérez le foret dans l'outil. Tournez le foret et enfoncez-le jusqu'à ce qu'il s'engage. (Fig. 10)

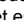
S'il n'est pas possible d'enfoncer le foret, retirez-le. Tirez le couvercle du mandrin vers le bas à quelques reprises. Réinsérez ensuite le foret. Tournez le foret et enfoncez-le jusqu'à ce qu'il s'engage.

Après l'installation, tirez toujours sur le foret pour vous assurer qu'il demeure fermement en place. Pour retirer le foret, tirez le couvercle du mandrin complètement vers le bas puis tirez sur le foret. (Fig. 11)

Angle du foret (lors du burinage, de l'écaillage ou de la démolition) (Fig. 12)

Vous pouvez fixer le foret sur 24 angles différents. Pour changer l'angle du foret, enfoncez le bouton de verrouillage et tournez le levier de changement de mode jusqu'au symbole .

Tournez le foret jusqu'à l'angle désiré.

Enfoncez le bouton de verrouillage et tournez le levier de changement de mode jusqu'au symbole . Assurez-vous ensuite que le foret est solidement maintenu en place en le tournant légèrement.

Jauge de profondeur (Fig. 13)

La tige de profondeur est pratique pour percer des trous de même profondeur. Desserrez la vis de serrage et ajustez la tige de profondeur à la profondeur souhaitée. Après le réglage, serrez fermement la vis de serrage.

REMARQUE :


- Il n'est pas possible d'utiliser la jauge de profondeur sur la position où elle frappe contre le carter d'engrenages/logement du moteur.

UTILISATION

ATTENTION :

- Utilisez toujours la poignée latérale (poignée auxiliaire) et tenez fermement l'outil par la poignée latérale et la poignée de la gâchette pendant l'utilisation.

Perçage avec impacts (Fig. 14)

Réglez le levier de changement de mode jusqu'au symbole .

Placez le foret au point où vous désirez percer le trou, puis appuyez sur la gâchette. Ne forcez pas l'outil. Vous obtiendrez de meilleurs résultats avec une légère pression. Gardez l'outil dans cette position et évitez qu'il ne glisse à l'extérieur du trou.

N'appliquez pas plus de pression lorsque le trou se bouche de copeaux ou particules. Faites plutôt tourner l'outil au ralenti, puis retirez partiellement le foret du trou. Vous pourrez poursuivre le perçage de façon normale après avoir répété quelques fois cette opération.


ATTENTION :

- Quand le foret commencer à percer le béton ou s'il frappe des fers à béton incorporés dans le béton, l'outil peut réagir dangereusement. Maintenez un bon équilibre et un appui sûr lorsque vous tenez fermement l'outil à deux mains pour éviter une réaction dangereuse.

Poire soufflante (accessoire en option) (Fig. 15)

Une fois le trou percé, utilisez la poire soufflante pour retirer la poussière du trou.

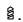
Burinage/Écaillage/Démolition (Fig. 16)

Réglez le levier de changement de mode jusqu'au symbole .

Tenez l'outil fermement à deux mains. Mettez le contact et appliquez une légère pression sur l'outil de façon à en garder la maîtrise et éviter qu'il ne saute d'un côté et de l'autre. L'application d'une très grande pression sur l'outil n'augmentera pas l'efficacité de l'opération.

Perçage dans le bois ou le métal (Fig. 17)

Utilisez le mandrin autoserrant en option. Pour l'installer, reportez-vous à « Installation ou retrait du foret », page précédente.

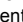
Régalez le levier de changement de mode jusqu'au symbole .

Tenez la bague et tournez le manchon vers la gauche pour ouvrir les mâchoires du mandrin. Insérez le foret à fond dans le mandrin. Tenez la bague fermement et tournez le manchon vers la droite pour serrer le mandrin. Pour retirer le foret, tenez la bague et tournez le manchon vers la gauche.

ATTENTION :

- N'utilisez jamais le mode « rotation avec impacts » lorsque le mandrin de perçage à remplacement rapide est installé sur l'outil. Le mandrin de perçage à remplacement rapide pourrait être endommagé.
- Une pression excessive sur l'outil n'accélère pas le perçage. En fait, une pression excessive endommagera le bout du foret, réduira l'efficacité de l'outil et raccourcira sa durée de vie.
- Une force énorme s'exerce sur l'outil et le foret lorsque ce dernier sort par la face opposée de la pièce. Tenez l'outil fermement et faites bien attention lorsque le foret se met à sortir par la face opposée de la pièce.
- Immobilisez toujours les petites pièces à travailler dans un étau ou un dispositif de fixation similaire.

Perçage avec un trépan diamanté

Lors du perçage avec un trépan diamanté, positionnez toujours le levier de réglage sur  la fonction « rotation uniquement ».

ATTENTION :

- En cas d'utilisation de la fonction « rotation avec impacts » pendant le perçage avec un trépan diamanté, ce dernier risque d'être endommagé.

MAINTENANCE

ATTENTION :

- Assurez-vous toujours que l'outil est éteint et débranché avant d'effectuer tout travail d'inspection ou de maintenance.
- N'utilisez jamais d'essence, de benzine, de diluant, d'alcool ou de produit similaire. Ces produits risquent de provoquer des décolorations, des déformations ou des fissures.

Lubrification

ATTENTION :


- Seuls des centres de service agréés par Makita ou usine sont habilités à effectuer les réparations. Grâce à son système de lubrification à la graisse, il n'est pas nécessaire de graisser cet outil après quelques heures d'utilisation ou chaque jour. Cependant, il est

recommandé de remplacer régulièrement la graisse pour une plus longue durée de vie de l'outil.

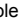
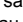
Faites tourner l'outil pendant quelques minutes pour le réchauffer. Mettez l'outil hors tension et débranchez-le. Desserrez les quatre vis et retirez le manchon. Notez que les vis supérieures sont différentes des autres vis. (Fig. 18)

Débranchez le connecteur en les tirant. (Fig. 19)

Desserrez les deux vis sur le couvercle du bouchon de manivelle et retirez ce dernier. (Fig. 20)

Alignez le levier de changement de mode jusqu'au symbole , desserrez les cinq vis, puis retirez le bouchon de manivelle. (Fig. 21 et 22)

ATTENTION :

- Retirez toujours le bouchon de manivelle après avoir aligné le levier de changement de mode jusqu'au symbole  uniquement. Ne forcez jamais pour le retirer sans aligner le levier de changement de mode jusqu'au symbole . Dans le cas contraire, le remontage est impossible. (Fig. 23)

Posez l'outil sur la table avec le bout du foret pointé vers le haut. Ceci permettra à la graisse usée de se déposer à l'intérieur du carter de manivelle.

Essayez la graisse usée à l'intérieur, puis remplacez-la par de la graisse fraîche (30 g). Utilisez uniquement la graisse à marteau Makita authentique (accessoire en option). Si vous versez davantage de graisse que la quantité spécifiée (environ 30 g), le mouvement de martelage risque d'être faussé ou l'outil risque de ne pas bien fonctionner. Ne versez que la quantité de graisse spécifiée.

ATTENTION :

- Faites attention de ne pas endommager le connecteur ou les fils de sortie, surtout lorsque vous essayez la graisse usée.

Pour remonter l'outil, suivez la procédure de démontage en sens inverse.

ATTENTION :

- Ne serrez pas excessivement le bouchon de manivelle. Il est en résine et risque de casser facilement. (Fig. 24)
- Connectez fermement le connecteur et réinstallez le manchon.

ATTENTION :

- Faites attention de ne pas endommager le connecteur ou les fils de sortie, surtout lorsque vous installez le manchon.

Pour assurer la SÉCURITÉ et la FIABILITÉ du produit, toute réparation, inspection des charbons et tout remplacement, toute autre maintenance ou réglage, doivent être effectués par un Centre de service agréé Makita, toujours avec des pièces de rechange Makita.

ACCESSOIRES

ATTENTION :

- Ces accessoires ou pièces complémentaires sont recommandés pour l'utilisation avec l'outil Makita spécifié dans ce manuel. L'utilisation de tout autre accessoire ou pièce complémentaire comporte un risque de blessures. Utilisez uniquement l'accessoire ou la pièce complémentaire dans le but spécifié.

Pour obtenir plus de détails sur ces accessoires, contactez un Centre de service après-vente local Makita.

- Forets à pointe de carbure SDS-Max
- Pic
- Trépan carottier
- Ciseau à froid
- Trépan diamanté
- Graisse à marteau
- Ciseau à écailler
- Burin à rainures
- Mandrin autoserrant
- Graisse à foret
- Poignée latérale
- Jauge de profondeur
- Poire soufflante
- Lunettes de sécurité
- Étui en plastique

Pour le modèle HR3540C

Bruit ENG102-3

Les niveaux de bruit pondéré A typiques ont été mesurés selon la norme EN60745 :

Niveau de pression sonore (L_{pA}) : 93 dB (A)

Niveau de puissance sonore (L_{WA}) : 104 dB (A)

Incertitude (K) : 3 dB (A)

Portez des protections auditives.

Vibrations ENG215-2

La valeur totale de vibration (somme du vecteur triaxial) a été déterminée selon la norme EN60745 :

Mode de fonctionnement : fonction de ciselure

Émission de vibrations ($a_{h,CHeq}$) : 12,5 m/s²

Incertitude (K) : 1,5 m/s²

ENG303-2

Mode de fonctionnement : perçage à percussion dans le béton

Émission de vibrations ($a_{h,HD}$) : 18,0 m/s²

Incertitude (K) : 1,5 m/s²

ENG301-1

Mode de fonctionnement : perçage du métal

Émission de vibrations ($a_{h,D}$) : 2,5 m/s²

Incertitude (K) : 1,5 m/s²

Pour le modèle HR3541FC

Bruit ENG102-3

Les niveaux de bruit pondéré A typiques ont été mesurés selon la norme EN60745 :

Niveau de pression sonore (L_{pA}) : 91 dB (A)

Niveau de puissance sonore (L_{WA}) : 102 dB (A)

Incertitude (K) : 3 dB (A)

Portez des protections auditives.

Vibrations ENG215-2

La valeur totale de vibration (somme du vecteur triaxial) a été déterminée selon la norme EN60745 :

Mode de fonctionnement : fonction de ciselure

Émission de vibrations ($a_{h,CHeq}$) : 9,0 m/s²

Incertitude (K) : 1,5 m/s²

ENG303-2

Mode de fonctionnement : perçage à percussion dans le béton

Émission de vibrations ($a_{h,HD}$) : 11,0 m/s²

Incertitude (K) : 1,5 m/s²

ENG302-2

Mode de fonctionnement : perçage du métal

Émission de vibrations ($a_{h,D}$) : 2,5 m/s² ou moins

Incertitude (K) : 1,5 m/s²

Pour les pays d'Europe uniquement

ENH101-13

Déclaration de conformité CE

Nous, Makita Corporation, en tant que fabricant responsable, déclarons que les machines Makita suivantes :

Nom de la machine :

Marteau-perforateur-burineur

N° de modèle/Type : HR3540C, HR3541FC

sont fabriquées en série et

sont conformes aux directives européennes

suites :

98/37/CE jusqu'au 28 décembre 2009 puis, à partir

du 29 décembre 2009, à la directive 2006/42/CE

et sont produites conformément aux normes ou

documents de normalisation suivants :

EN60745

La documentation technique est disponible auprès de

notre représentant en Europe qui est :

Makita International Europe Ltd.,

Michigan, Drive, Tongwell,

Milton Keynes, MK15 8JD, Angleterre

Le 30 janvier 2009



Tomoyasu Kato

Directeur

Makita Corporation

3-11-8, Sumiyoshi-cho

Anjo, Aichi, JAPAN

DEUTSCH

Erklärung der Gesamtdarstellung

- | | | |
|---|----------------------------------|-------------------------------|
| 1. Ein/Aus-Schalter | 8. Service-Anzeigenleuchte (rot) | 16. Ausblasvorrichtung |
| 2. Lampe | 9. Seitengriff | 17. Schrauben |
| 3. Einstellrad | 10. Bohrmeißelschaft | 18. Steckverbinder |
| 4. Arretiertaste | 11. Bohrmeißelfett | 19. Abdeckung der Kurbelkappe |
| 5. Zeiger | 12. Einsatz | |
| 6. Umschalthebel | 13. Spannfutterverkleidung | |
| 7. Anzeigenleuchte für Stromversorgung (grün) | 14. Tiefenanschlag | |
| | 15. Klemmschraube | |

TECHNISCHE DATEN

Modell		HR3540C	HR3541FC
Leistungen	Beton	Einsatz mit einer Hartmetallschneidspitze	
		Bohrkrone	
		Stahl	
		Holz	
Leerlaufdrehzahl (U/min ⁻¹)		315 - 630	
Schläge pro Minute		1.650 - 3.300	
Gesamtlänge		439 mm	
Nettogewicht		5,2kg	5,6 kg
Sicherheitsklasse		II/III	

- Aufgrund unserer weiterführenden Forschungen und Entwicklungen sind Änderungen an den hier angegebenen Technischen Daten ohne Vorankündigung vorbehalten.
- Die Technischen Daten können in einzelnen Ländern voneinander abweichen.
- Gewicht entsprechend EPTA-Verfahren 01/2003

Verwendungszweck ENE044-1
Das Werkzeug ist für Schlagbohren in Ziegel, Beton und Stein sowie für Meißelarbeiten vorgesehen.

Stromversorgung ENF002-1
Das Werkzeug darf nur an eine Stromversorgung mit der auf dem Typenschild angegebenen Spannung und einphasigem Wechselstrom angeschlossen werden. Aufgrund der Doppelisolierung nach europäischem Standard kann das Werkzeug auch an Steckdosen ohne Erdungsleiter betrieben werden.

Allgemeine Sicherheitshinweise für Elektrowerkzeuge

GEA010-1

⚠️ WARNUNG Lesen Sie alle Sicherheitshinweise und Anweisungen sorgfältig durch. Wenn die Hinweise und Anweisungen nicht beachtet werden, besteht die Gefahr eines Stromschlags, Brands und/oder das Risiko von ernsthaften Verletzungen.

Bewahren Sie alle Hinweise und Anweisungen zur späteren Referenz gut auf.

SICHERHEITSREGELN FÜR BOHRHAMMER

GEB007-7

1. **Tragen Sie Gehörschutz.** Lärm kann Gehörschäden verursachen.

2. **Verwenden Sie die ggf. mit dem Werkzeug gelieferten Zusatzgriffe.** Ein Verlust der Kontrolle über das Werkzeug kann zu Verletzungen führen.
3. **Halten Sie das Elektrowerkzeug an den isolierten Griffflächen, wenn Sie unter Bedingungen arbeiten, bei denen das Schneidwerkzeug verborgene Kabel oder das eigene Kabel berühren kann.** Bei Kontakt des Werkzeugs mit einem stromführenden Kabel wird der Strom an die Metallteile des Elektrowerkzeugs und dadurch an den Bediener weitergeleitet, und der Bediener erleidet einen Stromschlag.
4. **Tragen Sie einen Sicherheitshelm, Sicherheitsbrille und/oder Gesichtsschutz. Eine gewöhnliche Brille oder Sonnenbrille ist KEINE Sicherheitsbrille. Zusätzlich wird das Tragen dick gefütterter Handschuhe und einer Staubmaske empfohlen.**
5. **Überprüfen Sie vor der Inbetriebnahme, ob der Werkzeugeinsatz fest sitzt.**
6. **Unter normalen Betriebsbedingungen erzeugt das Werkzeug Vibrationen.** Dadurch können sich Schrauben lösen, wodurch es zu Defekten und Unfällen kommen kann. **Überprüfen Sie vor der Arbeit sorgfältig den Sitz der Schrauben.**
7. **Bei kaltem Wetter oder wenn das Werkzeug längere Zeit nicht benutzt wurde, lassen Sie das Gerät eine Zeit lang ohne Last warmlaufen. Dadurch wird das Schmiermittel wieder gangbar.**

Ohne ordnungsgemäßes Aufwärmen ist der Betrieb des Hammers schwierig.

8. **Achten Sie jederzeit auf einen festen Stand. Achten Sie darauf, dass sich niemand unter Ihnen befindet, wenn Sie das Werkzeug an erhöhten Orten verwenden.**
9. **Halten Sie das Werkzeug mit beiden Händen fest.**
10. **Halten Sie Ihre Hände von den beweglichen Teilen fern.**
11. **Lassen Sie das Werkzeug nicht unbeaufsichtigt eingeschaltet. Das Werkzeug darf nur dann eingeschaltet sein, wenn es festgehalten wird.**
12. **Zeigen Sie mit dem Werkzeug während des Betriebs nicht auf Personen in Ihrer Umgebung. Der Einsatz könnte sich lösen und zu schweren Verletzungen führen.**
13. **Berühren Sie kurz nach dem Betrieb den Einsatz oder Teile in der Nähe des Einsatzes nicht. Diese können extrem heiß sein und zu Verbrennungen führen.**
14. **Einige Materialien enthalten Chemikalien, die giftig sein können. Vermeiden Sie das Einatmen von Staub und den Kontakt mit der Haut. Befolgen Sie die Sicherheitshinweise des Materialherstellers.**

BEWAHREN SIE DIESE ANWEISUNGEN SORGFÄLTIG AUF.

WARNUNG:

Lassen Sie sich **NIE** durch Bequemlichkeit oder (aus fortwährendem Gebrauch gewonnener) Vertrautheit mit dem Werkzeug dazu verleiten, die Sicherheitsregeln für das Werkzeug zu missachten. Bei **MISSBRÄUCLICHER** Verwendung des Werkzeugs oder Missachtung der in diesem Handbuch enthaltenen Sicherheitshinweise kann es zu schweren Verletzungen kommen.

FUNKTIONSBESCHREIBUNG

ACHTUNG:

- Schalten Sie das Werkzeug stets aus und ziehen Sie den Stecker, bevor Sie Einstellungen oder eine Funktionsprüfung des Werkzeugs vornehmen.

Bedienung des Schalters (Abb. 1)

ACHTUNG:

- Achten Sie vor dem Einstecken des Werkzeug-Netzsteckers darauf, dass sich der Ein/Aus-Schalter korrekt bedienen lässt und beim Loslassen in die Position „OFF“ (AUS) zurückkehrt.

Betätigen Sie zum Starten des Werkzeugs einfach den Ein/Aus-Schalter. Lassen Sie zum Ausschalten des Werkzeugs den Ein/Aus-Schalter los.

Einschalten der Lampe

Für Modell HR3541FC (Abb. 2)

ACHTUNG:

- Schauen Sie nicht direkt in das Licht oder in die Lichtquelle.

Ziehen Sie zum Einschalten der Lampe den Ein/Aus-Schalter. Solange Sie den Ein/Aus-Schalter gezogen halten, leuchtet die Lampe. Nach dem Loslassen des Ein/Aus-Schalters erlischt die Lampe nach 10 bis 20 Sekunden.

HINWEIS:

- Wischen Sie Schmutz auf der Lampenlinse mit einem trockenen Tuch ab. Achten Sie darauf, die Lampenlinse nicht zu zerkratzen, da dies die Beleuchtungsstärke mindern kann.

Änderung der Drehzahl (Abb. 3)

Die Umdrehungen und Schläge pro Minute können einfach durch Drehen am Einstellrad geändert werden. Das Einstellrad ist mit 1 (langsamste Geschwindigkeit) bis 5 (volle Geschwindigkeit) beschriftet. In der folgenden Tabelle ist die Beziehung zwischen der Zahleneinstellung am Einstellrad und den Umdrehungen/Schlägen pro Minute angegeben.

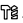
Zahl am Einstellrad	Umdrehungen pro Minute	Schläge pro Minute
5	630	3.300
4	590	3.100
3	480	2.500
2	370	1.900
1	315	1.650

ACHTUNG:

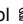
- Wenn das Werkzeug längere Zeit dauerhaft bei niedriger Drehzahl betrieben wird, wird der Motor überlastet, was zu einer Fehlfunktion des Werkzeugs führen kann.
- Das Drehzahl-Stellrad lässt sich nur bis 5 und zurück auf 1 drehen. Wird es gewaltsam über 5 oder 1 hinaus gedreht, lässt sich die Drehzahl möglicherweise nicht mehr einstellen.

Auswählen der Betriebsart

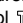
Schlagbohren (Abb. 4)

Drücken Sie für Bohrarbeiten in Beton, Mauerwerk usw. die Arretiertaste nach unten, und drehen Sie den Zeiger des Umschalthebels auf das Symbol . Verwenden Sie einen Bohrmeißel mit einer Hartmetallspitze.

Drehbohren (Abb. 5)

Drücken Sie für Bohrarbeiten in Holz, Metall oder Kunststoff die Arretiertaste nach unten, und drehen Sie den Zeiger des Umschalthebels auf das Symbol . Verwenden Sie einen Spiral- oder Holzbohrer.

Reiner Schlagbetrieb (Abb. 6)

Drücken Sie zum Splittren, Ablättern oder für Abbrucharbeiten die Arretiertaste nach unten, und drehen Sie den Zeiger des Umschalthebels auf das Symbol . Verwenden Sie einen Punkthammer, Kaltmeißel, Verzunderungsmeißel usw.

ACHTUNG:

- Der Umschalthebel darf nicht gedreht werden, solange das Werkzeug unter Last betrieben wird. Andernfalls wird das Werkzeug beschädigt.

- Zur Vermeidung eines vorzeitigen Verschleißes des Mechanismus zum Wechsel der Betriebsart müssen Sie darauf achten, dass der Umschalthebel immer richtig auf eine der drei Positionen der Aktionsbetriebsart eingestellt ist.

Drehmomentbegrenzung

Die Drehmomentbegrenzung schaltet sich ein, wenn eine bestimmte Drehmomentstufe erreicht ist. Der Motor wird von der Antriebswelle ausgekuppelt. In diesem Fall kommt der Bohrmeißel zum Stillstand.

ACHTUNG:

- Wenn sich die Drehmomentbegrenzung einschaltet, muss das Werkzeug sofort ausgeschaltet werden. Auf diese Weise wird ein vorzeitiger Verschleiß des Werkzeugs vermieden.

Anzeigenleuchte (Abb. 7)

Die grüne Anzeigenleuchte „Power-ON“ leuchtet, sobald das Werkzeug an die Stromversorgung angeschlossen wird. Wenn die Anzeigenleuchte nicht leuchtet, können das Netzkabel oder die Steuerungseinheit defekt sein. Wenn die Anzeigenleuchte leuchtet und das Werkzeug nicht startet, obwohl es eingeschaltet wird, sind möglicherweise die Kohlebürsten verbraucht, oder die Steuerungseinheit, der Motor oder EIN/AUS-Schalter ist defekt.

Die rote Service-Anzeigenleuchte leuchtet, wenn die Kohlebürsten fast verbraucht sind. Somit wissen Sie, dass das Werkzeug gewartet werden muss. Nach etwa 8 Stunden Betriebsdauer schaltet sich der Motor automatisch aus.

MONTAGE

ACHTUNG:

- Schalten Sie das Werkzeug stets aus und ziehen Sie den Stecker, bevor Sie irgendwelche Arbeiten am Werkzeug durchführen.

Einsetzen des Seitengriffs (Zusatzgriff) (Abb. 8)

ACHTUNG:

- Verwenden Sie bei Bohrarbeiten in Beton, Mauerwerk usw. stets den Seitengriff, damit die Betriebssicherheit gewährleistet ist.

Da der Seitengriff auf jede Seite gedreht werden kann, kann das Werkzeug in jeder Position bequem bedient werden. Lockern Sie den Seitenzusatzgriff durch Drehen gegen den Uhrzeigersinn, stellen Sie ihn in die gewünschte Position, und befestigen Sie ihn dann wieder durch Drehen im Uhrzeigersinn.


Montage und Demontage des Einsatzes (Abb. 9)

Reinigen Sie den Aufnahmeschaft, und schmieren Sie ihn vor der Montage des Bohrmeißels mit ein wenig Fett. Setzen Sie den Bohrmeißel in das Werkzeug ein. Drehen Sie den Bohrmeißel und drücken Sie ihn hinein, bis er einrastet. (Abb. 10)

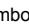
Wenn der Meißel nicht hineingedrückt werden kann, nehmen Sie den Meißel wieder aus dem Werkzeug. Ziehen Sie das Spannfutter einige Male nach unten.

Setzen Sie dann den Meißel erneut ein. Drehen Sie den Bohrmeißel und drücken Sie ihn hinein, bis er einrastet. Überprüfen Sie nach der Montage stets, ob der Meißel einwandfrei sitzt, indem Sie versuchen, ihn herausziehen. Ziehen Sie die Werkzeugverriegelung zum Entnehmen des Meißels ganz nach unten und ziehen Sie den Meißel heraus. (Abb. 11)

Winkel des Einsatzes (beim Splittern, Abblättern oder Abbruch) (Abb. 12)

Der Meißel kann in 24 verschiedenen Winkeln arretiert werden. Drücken Sie zur Änderung des Einsatzwinkels die Arretiertaste nach unten, und drehen Sie den Umschalthebel auf das Symbol .

Drehen Sie den Bohrmeißel bis zum gewünschten Winkel.

Drücken Sie die Arretiertaste nach unten, und drehen Sie den Umschalthebel auf das Symbol . Überprüfen Sie anschließend durch leichtes Drehen am Bohrmeißel, dass dieser fest sitzt.

Tiefenanschlag (Abb. 13)

Der Tiefenanschlag ist beim Bohren von Löchern mit einer einheitlichen Bohrtiefe hilfreich. Lösen Sie die Klemmschraube, und stellen Sie den Tiefenanschlag auf die gewünschte Tiefe ein. Ziehen Sie die Klemmschraube nach der Einstellung fest an.

HINWEIS:

- Der Tiefenanschlag kann nicht in der Position verwendet werden, an der er gegen das Getriebe-/Motorgehäuse schlägt.

BETRIEB

ACHTUNG:

- Verwenden Sie stets den Seitengriff (Zusatzgriff) und halten Sie während der Arbeit das Werkzeug am Seitengriff und am Schaltergriff fest.

Schlagbohrbetrieb (Abb. 14)

Stellen Sie den Umschalthebel auf das Symbol .

Setzen Sie den Einsatz auf die gewünschte Position für die Bohrung, und betätigen Sie dann den Ein/Aus-Schalter. Üben Sie keinen übermäßigen Druck auf das Werkzeug aus. Wenn Sie nur leichten Druck ausüben, erzielen Sie die besten Ergebnisse. Halten Sie das Werkzeug in Position, und achten Sie darauf, dass es nicht von der Bohrung abrutscht.

Verstärken Sie den Druck nicht, wenn die Bohrung durch Holzspäne oder -partikel verstopft ist. Betreiben Sie stattdessen das Werkzeug im Leerlauf, und ziehen Sie dann den Meißel teilweise aus der Bohrung. Wenn Sie diesen Vorgang mehrmals wiederholen, wird die Bohrung gesäubert, und Sie können den normalen Bohrvorgang fortsetzen.

ACHTUNG:

- Beim Durchschlag des Einsatzes in Beton oder wenn der Einsatz auf Verstärkungsstangen im Beton trifft, kann die Reaktion des Werkzeugs gefährlich sein. Achten Sie auf eine gute Balance und einen sicheren Stand, während Sie das Werkzeug fest mit beiden Händen halten. Auf diese Weise können Sie gefährliche Reaktionen abfangen.

Ausblasvorrichtung (optionales Zubehör) (Abb. 15)

Wenn Sie das Loch gebohrt haben, entfernen Sie mit Hilfe der Ausblasvorrichtung den Staub aus der Bohrung.

Splittern / Abblättern / Abbruch (Abb. 16)

Stellen Sie den Umschalthebel auf das Symbol ∇ . Halten Sie das Werkzeug mit beiden Händen fest. Schalten Sie das Werkzeug ein und üben Sie leichten Druck darauf aus, so dass es nicht unkontrolliert herumspringt. Ein stärkerer Druck auf das Werkzeug erhöht den Wirkungsgrad nicht.

Bohren in Holz oder Metall (Abb. 17)

Verwenden Sie den optionalen schlüssellosen Bohrfeedersatz. Lesen Sie zu dessen Montage den Abschnitt „Montage und Demontage des Einsatzes“ auf der vorherigen Seite. Stellen Sie den Umschalthebel so ein, dass der Zeiger auf das Symbol \otimes zeigt. Halten Sie den Ring fest, und drehen Sie den Kranz gegen den Uhrzeigersinn, um die Spannfutterbacken zu öffnen. Schieben Sie den Einsatz so weit wie möglich in das Spannfutter. Halten Sie den Ring fest, und drehen Sie den Kranz im Uhrzeigersinn, um das Spannfutter anzuziehen. Wenn Sie den Bohrer entfernen möchten, müssen Sie den Ring festhalten und den Kranz gegen den Uhrzeigersinn drehen.

ACHTUNG:

- Wenn das Schnellwechselbohrfutter am Werkzeug montiert ist, dürfen Sie auf keinen Fall die Betriebsart „Schlagbohren“ verwenden. Andernfalls kann das Schnellwechselbohrfutter beschädigt werden.
- Der Bohrvorgang kann durch übermäßigen Druck auf das Werkzeug nicht beschleunigt werden. Dieser übermäßige Druck beschädigt im Gegenteil die Spitze des Bohrers, vermindert die Leistung des Werkzeugs und verkürzt dessen Lebensdauer.
- Beim Lochdurchschlag wirken enorme Drehkräfte auf das Werkzeug/den Bohrmeißel. Halten Sie das Werkzeug fest und seien Sie vorsichtig, wenn der Bohrer das Werkstück durchbricht.
- Spannen Sie kleine Werkstücke immer im Schraubstock oder in einer ähnlichen Befestigungseinrichtung ein.

Diamantkernbohren

Stellen Sie den Umschalthebel beim Diamantkernbohren immer auf die Position \otimes ein, um die Betriebsart „Drehbohren“ zu verwenden.

ACHTUNG:

- Ist beim Diamantkernbohren hingegen die Betriebsart „Schlagbohren“ eingestellt, kann die Diamantbohrkrone gegebenenfalls beschädigt werden.

WARTUNG

ACHTUNG:

- Schalten Sie das Werkzeug stets aus und ziehen Sie den Stecker, bevor Sie Prüfungen oder Wartungsarbeiten am Werkzeug durchführen.

- Verwenden Sie zum Reinigen niemals Kraftstoffe, Benzin, Verdünner, Alkohol oder ähnliches. Dies kann zu Verfärbungen, Verformungen oder Rissen führen.

Schmierung

ACHTUNG:

- Diese Wartungsarbeit sollte nur von autorisierten Makita-Servicecentern oder vom Werkscenter durchgeführt werden.

Dieses Werkzeug muss nicht stündlich oder täglich gefettet werden, da es über ein fettgeschmiertes Schmiermittelsystem verfügt. Für eine längere Lebenszeit des Werkzeugs sollte das Schmiermittel jedoch regelmäßig ausgetauscht werden.

Nehmen Sie das Werkzeug für einige Minuten in Betrieb, um es aufzuwärmen. Schalten Sie das Werkzeug aus, und ziehen Sie den Stecker.

Lösen Sie die vier Schrauben, und nehmen Sie den Griff ab. Beachten Sie, dass sich die oberen Schrauben von den übrigen Schrauben unterscheiden. (Abb. 18) Ziehen Sie das Verbindungsstück heraus. (Abb. 19)

Lösen Sie die zwei Schrauben an der Kurbelkappenabdeckung und entfernen Sie diese.

(Abb. 20)

Richten Sie den Umschalthebel am Symbol \triangle aus, lösen Sie die fünf Schrauben und entfernen Sie anschließend die Kurbelkappe. (Abb. 21 und 22)

ACHTUNG:

- Entfernen Sie die Kurbelkappe nur, nachdem der Umschalthebel am Symbol \triangle ausgerichtet wurde. Entfernen Sie diese niemals, ohne dass der Umschalthebel am Symbol \triangle ausgerichtet wurde. Zuwiderhandlungen machen eine Wiedermontage unmöglich. (Abb. 23)

Legen Sie das Werkzeug mit der Einsatzspitze nach oben auf den Tisch. Auf diese Weise kann sich das Fett im Kurbelgehäuse sammeln.

Wischen Sie innen das alte Fett aus, und ersetzen Sie es durch neues Fett (30 g). Verwenden Sie nur das Hammerfett von Makita (Sonderzubehör). Wenn Sie mehr Fett auffüllen als angegeben (etwa 60 g), kann dies zu Ausfällen und Fehlfunktionen des Werkzeugs führen. Füllen Sie nur die angegebene Menge an Fett auf.

ACHTUNG:

- Achten Sie sorgfältig darauf, dass Sie beim Auswischen des alten Fetts das Verbindungsstück und die Kabel nicht beschädigen.

Zur Wiedermontage des Werkzeugs befolgen Sie das Demontageverfahren in umgekehrter Reihenfolge.

ACHTUNG:

- Die Kurbelkappe darf nicht zu fest angezogen werden. Sie ist aus Kunstharz gefertigt und kann brechen. (Abb. 24)

Schließen Sie das Verbindungsstück fest an, und bringen Sie anschließend den Griff wieder an.

ACHTUNG:

- Achten Sie sorgfältig darauf, dass Sie beim Einbauen des Griffs das Verbindungsstück und die Kabel nicht beschädigen.

Um die SICHERHEIT und ZUVERLÄSSIGKEIT des Produkts zu gewährleisten, dürfen Reparaturen, Kohlebürsteninspektion und -ersatz sowie alle anderen

Wartungsarbeiten und Einstellungen nur durch von Makita autorisierte Servicecenter durchgeführt und ausschließlich Makita-Ersatzteile verwendet werden.

ZUBEHÖR

ACHTUNG:

- Die folgenden Zubehör- und Zusatzteile werden für das in diesem Handbuch beschriebene Makita-Werkzeug empfohlen. Die Verwendung anderer Zubehör- und Zusatzteile kann zu Personenschäden führen. Verwenden Sie Zubehör- und Zusatzteile nur für den vorgesehenen Zweck.

Informationen zu diesem Zubehör erhalten Sie bei einem Makita-Servicecenter in Ihrer Nähe.

- SDS-Max-Hartmetallsplitzen
- Punkthammer
- Bohrkrone
- Flachmeißel
- Diamantbohrkrone
- Hammerfett
- Schaber
- Nutenmeißel
- Schlüssellose Bohrfutter-Baugruppe
- Bohrer-/Meißelfett
- Seitengriff
- Tiefenanschlag
- Ausblasvorrichtung
- Sicherheitsschutzbrille
- Kunststoffkoffer

Für das Modell HR3540C

Schallpegel

ENG102-3

Typischer A-bewerteter Schallpegel nach EN60745:

Schalldruckpegel (L_{pA}): 93 dB (A)

Schalleistungspegel (L_{WA}): 104 dB (A)

Abweichung (K): 3 dB (A)

Tragen Sie Gehörschutz.

Schwingung

ENG215-2

Schwingungsgesamtwerte (Vektorsumme dreier Achsen) nach EN60745:

Arbeitsmodus: Meißelfunktion

Schwingungsbelastung ($a_{h, CHeq}$): 12,5 m/s²

Abweichung (K): 1,5 m/s²

ENG303-2

Arbeitsmodus: Schlagbohren in Beton

Schwingungsbelastung ($a_{h, HD}$): 18,0 m/s²

Abweichung (K): 1,5 m/s²

ENG301-1

Arbeitsmodus: Bohren in Metall

Schwingungsbelastung ($a_{h, D}$): 2,5 m/s²

Abweichung (K): 1,5 m/s²

Für das Modell HR3541FC

Schallpegel

ENG102-3

Typischer A-bewerteter Schallpegel nach EN60745:

Schalldruckpegel (L_{pA}): 91 dB (A)

Schalleistungspegel (L_{WA}): 102 dB (A)

Abweichung (K): 3 dB (A)

Tragen Sie Gehörschutz.

Schwingung

ENG215-2

Schwingungsgesamtwerte (Vektorsumme dreier Achsen) nach EN60745:

Arbeitsmodus: Meißelfunktion

Schwingungsbelastung ($a_{h, CHeq}$): 9,0 m/s²

Abweichung (K): 1,5 m/s²

ENG303-2

Arbeitsmodus: Schlagbohren in Beton

Schwingungsbelastung ($a_{h, HD}$): 11,0 m/s²

Abweichung (K): 1,5 m/s²

ENG302-2

Arbeitsmodus: Bohren in Metall

Schwingungsbelastung ($a_{h, D}$): 2,5 m/s² oder weniger

Abweichung (K): 1,5 m/s²

Nur für europäische Länder

ENH101-13

EG-Konformitätserklärung

Wir, Makita Corporation als verantwortlicher Hersteller, erklären, dass die folgenden Geräte der Marke Makita:

Bezeichnung des Geräts:

Kombi-Hammer

Nummer / Typ des Modells: HR3540C, HR3541FC

in Serienfertigung hergestellt werden und

den folgenden Richtlinien der Europäischen Union genügen:

98/37/EC bis 28. Dezember 2009 und 2006/42/EC ab dem 29. Dezember 2009

Außerdem werden die Geräte gemäß den folgenden Standards oder Normen gefertigt:

EN60745

Die technische Dokumentation erfolgt durch unseren Bevollmächtigten in Europa:

Makita International Europe Ltd.,

Michigan, Drive, Tongwell,

Milton Keynes, MK15 8JD, England

30. Januar 2009



Tomoyasu Kato

Direktor

Makita Corporation

3-11-8, Sumiyoshi-cho

Anjo, Aichi, JAPAN

Spiegazione della vista generale

- | | | |
|--|-----------------------------|-------------------------------|
| 1. Interruttore | 8. Spia di servizio (rossa) | 16. Soffietto a peretta |
| 2. Lampada | 9. Impugnatura laterale | 17. Viti |
| 3. Ghiera di regolazione | 10. Gambo della punta | 18. Connettore |
| 4. Pulsante di blocco | 11. Grasso per punte | 19. Coperchio della manovella |
| 5. Indicatore | 12. Punta | |
| 6. Leva di selezione della modalità | 13. Copertura del mandrino | |
| 7. Spia indicazione accensione (verde) | 14. Calibro di profondità | |
| | 15. Vite di serraggio | |

CARATTERISTICHE TECNICHE

Modello		HR3540C	HR3541FC
Capacità	Cemento	Punta con estremità in carburo di tungsteno	35 mm
		Punta centrale	90 mm
	Acciaio		13 mm
	Legno		32 mm
Velocità a vuoto (min ⁻¹)		315 - 630	
Colpi al minuto		1.650 - 3.300	
Lunghezza totale		439 mm	
Peso netto		5,2kg	5,6 kg
Classe di sicurezza		II/II	

- Le caratteristiche tecniche riportate di seguito sono soggette a modifiche senza preavviso in virtù del nostro programma continuo di ricerca e sviluppo.
- Le caratteristiche tecniche possono differire da paese a paese.
- Peso determinato in conformità con la EPTA-Procedure 01/2003

Uso previsto

ENE044-1

L'utensile è progettato per la foratura a percussione di mattoni, cemento e pietra, e per lavori di scalpellatura.

Alimentazione

ENF002-1

L'utensile deve essere collegato a una presa di corrente con la stessa tensione di quella indicata sulla targhetta e può funzionare soltanto con corrente alternata monofase. L'utensile è dotato di doppio isolamento in osservanza alle norme europee, pertanto può essere usato anche con prese di corrente sprovviste della messa a terra.

Avvertenze generali di sicurezza per l'uso dell'utensile

GEA010-1

⚠ AVVERTENZA Leggere attentamente tutte le avvertenze di sicurezza e le istruzioni. La mancata osservanza delle istruzioni e delle avvertenze riportate di seguito potrebbe provocare scosse elettriche, incendi e/o lesioni gravi.

Conservare le avvertenze e le istruzioni per riferimenti futuri.**AVVERTENZE DI SICUREZZA PER IL MARTELLO ROTATIVO**

GEB007-7

1. **Indossare protezioni acustiche.** L'esposizione al rumore può causare la perdita della capacità uditiva.

2. **Utilizzare le maniglie ausiliarie, se fornite con l'utensile.** La perdita di controllo può provocare lesioni personali.
3. **Se vengono eseguite operazioni in cui l'accessorio di taglio può toccare fili nascosti o il cavo di alimentazione dell'utensile, impugnare l'utensile utilizzando i punti di presa isolati.** Se l'accessorio da taglio entra a contatto con un filo percorso da corrente, le parti metalliche esposte dell'utensile si troveranno anch'esse sotto tensione e potrebbero provocare scosse elettriche all'operatore.
4. **Indossare un elmetto (casco di sicurezza), occhiali di sicurezza e/o visiere protettivi.** I comuni occhiali da vista o da sole **NON** sono occhiali di sicurezza. Si consiglia anche di indossare una maschera antipolvere e guanti imbottiti.
5. **Prima di azionare l'utensile, verificare che la punta sia fissata nella posizione corretta.**
6. **In condizioni d'uso normali, l'utensile è progettato per produrre vibrazioni.** Le viti si possono allentare facilmente, causando rotture o incidenti. Prima di azionare l'utensile, controllare che le viti siano serrate.
7. **Con clima freddo o se l'utensile non è stato utilizzato per molto tempo, lasciare riscaldare l'utensile per qualche istante azionandolo senza carico.** Questo renderà più efficace la lubrificazione. Le operazioni con percussione risultano più difficoltose senza un preriscaldamento adeguato.

8. **Accertarsi sempre di avere un equilibrio stabile. Controllare che nessuno si trovi sotto all'utensile quando lo si utilizza in posizioni elevate.**
9. **Tenere saldamente l'utensile con entrambe le mani.**
10. **Mantenere le mani lontano dalle parti in movimento.**
11. **Non lasciare l'utensile acceso. Azionare l'utensile solo dopo averlo impugnato.**
12. **Non puntare l'utensile verso persone presenti nell'area di lavoro. Un'eventuale fuoriuscita della punta potrebbe provocare lesioni gravi.**
13. **Non toccare la punta o le parti vicino alla punta subito dopo aver utilizzato l'utensile in quanto possono raggiungere temperature elevate e provocare ustioni.**
14. **Alcuni materiali contengono prodotti chimici che possono essere tossici. Evitare l'inalazione della polvere e il contatto con la pelle. Attenersi alle istruzioni per la sicurezza del fornitore dei materiali.**

Fare attenzione a non graffiare la lente della lampadina per evitare riduzioni dell'intensità luminosa.

Modifica della velocità (Fig. 3)

Il numero di giri e di colpi al minuto possono essere regolati ruotando la ghiera di regolazione. I segni sulla ghiera vanno da 1 (velocità minima) a 5 (velocità massima).

Fare riferimento alla tabella seguente per quanto riguarda la relazione fra la posizione della ghiera e il numero di giri e di colpi al minuto.


Numero sulla ghiera di regolazione	Giri al minuto	Colpi al minuto
5	630	3.300
4	590	3.100
3	480	2.500
2	370	1.900
1	315	1.650

ATTENZIONE:

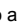
- Se l'utensile è usato per molto tempo a basse velocità, in modo continuativo, il motore risulterà sovraccaricato, con il risultato di un cattivo funzionamento.
- La ghiera di regolazione della velocità può essere ruotata soltanto fino a 5 o indietro fino a 1. Non forzarla oltre 5 o 1: potrebbe non funzionare più correttamente.

Selezione della modalità operativa


Foratura con percussione (Fig. 4)

Per la foratura di cemento, muratura, eccetera, rilasciare il pulsante di blocco e ruotare la leva di selezione della modalità operativa fino al simbolo . Utilizzare una punta a carburo di tungsteno.

Solo rotazione (Fig. 5)

Per la foratura di legno, metallo o materiali particolari ecc., rilasciare il pulsante di blocco e ruotare la leva di selezione della modalità operativa fino al simbolo . Utilizzare una punta elicoidale o una punta per il legno.

Solo martellatura (Fig. 6)

Per scalpellare, scagliare o demolire, rilasciare il pulsante di blocco e ruotare la leva di selezione della modalità operativa fino al simbolo . Utilizzare una punta gigante, uno scalpello a freddo, uno scalpello per scagliatura, eccetera.

ATTENZIONE:

- Non ruotare la leva di selezione della modalità operativa mentre l'utensile è acceso e sotto carico. L'utensile potrebbe essere danneggiato.
- Per evitare una rapida usura del meccanismo di modifica della modalità, accettarsi che la leva di selezione della modalità operativa sia sempre posizionata correttamente su una delle tre posizioni previste.

Limitatore di coppia

Il limitatore di coppia si attiva quando viene raggiunto un certo livello di coppia. Il motore si disinnesta dall'albero motore. In tal caso, la punta smette di girare.

CONSERVARE QUESTE ISTRUZIONI.

AVVERTENZA:

NON lasciare che la familiarità acquisita con il prodotto (dovuta all'uso ripetuto) provochi l'insosservanza delle regole di sicurezza per il presente utensile. L'USO IMPROPRIO o la mancata osservanza delle norme di sicurezza contenute in questo manuale può provocare lesioni personali gravi.

DESCRIZIONE FUNZIONALE

ATTENZIONE:

- Prima di regolare o controllare le funzioni dell'utensile, verificare sempre di averlo spento e scollegato dall'alimentazione.

Azionamento dell'interruttore (Fig. 1)

ATTENZIONE:

- Prima di collegare l'utensile, controllare se l'interruttore funziona correttamente e ritorna alla posizione "OFF" una volta rilasciato.

Per accendere l'utensile è sufficiente premere l'interruttore. Per spegnere l'utensile, rilasciare l'interruttore.

Accensione della lampada

Per il modello HR3541FC (Fig. 2)

ATTENZIONE:

- Non osservare direttamente la luce o la fonte luminosa. Per accendere la lampadina, azionare l'interruttore. La lampadina rimane accesa fino a quando si tiene premuto l'interruttore.

La lampada si spegne automaticamente 10 - 20 secondi dopo aver rilasciato l'interruttore.

NOTA:

- Utilizzare un panno asciutto per pulire la lente della lampadina.

ATTENZIONE:

- Non appena il limitatore di coppia si attiva, spegnere immediatamente l'utensile. Questo previene l'usura prematura dell'utensile.

Spia luminosa (Fig. 7)

La spia verde dell'alimentazione si accende quando l'utensile è collegato alla presa di corrente. Se la spia non si accende, il cavo principale o il controller potrebbero essere difettosi. Se la spia si accende ma l'utensile non si avvia nonostante sia acceso, potrebbero essersi usurate le spazzole di carbone oppure il controller, il motore o l'interruttore potrebbero essere difettosi.

La spia di servizio rossa si accende quando le spazzole di carbone sono quasi del tutto usurate, per indicare che l'utensile ha bisogno di manutenzione. Il motore viene automaticamente disattivato dopo circa 8 ore di utilizzo.

MONTAGGIO

ATTENZIONE:

- Accertarsi sempre che l'utensile sia spento e scollegato dalla presa di corrente prima di iniziare qualsiasi operazione su di esso.

Installazione dell'impugnatura laterale ausiliaria (Fig. 8)

ATTENZIONE:

- Usare sempre il manico laterale per lavorare con sicurezza durante le operazioni di foratura in cemento, muratura, eccetera.

Il manico laterale può essere collocato su entrambi i lati dell'utensile per consentire una presa sicura in qualsiasi posizione di lavoro. Allentare il manico laterale ruotandolo in senso antiorario, collocarlo nella posizione desiderata e fissarlo, ruotandolo in senso orario.

Installazione o rimozione della punta (Fig. 9)

Pulire il gambo della punta e applicare il grasso prima di installare la punta.

Inserire la punta nell'utensile. Ruotare la punta e spingere fino ad agganciarla. (Fig. 10)

Se non è possibile inserire la punta, rimuoverla.


Abbassare la copertura del mandrino un paio di volte.

Quindi inserire nuovamente la punta. Ruotare la punta e spingere fino ad agganciarla.

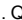
Dopo l'installazione, verificare sempre che la punta rimanga saldamente in posizione, provando ad estrarla.

Per rimuovere la punta, abbassare completamente la copertura del mandrino ed estrarre la punta. (Fig. 11)

Angolo della punta (durante la scalpellatura, la scagliatura o la demolizione) (Fig. 12)

È possibile fissare la punta secondo 24 angoli diversi. Per modificare l'angolo della punta, rilasciare il pulsante di blocco e ruotare la leva di selezione della modalità operativa fino al simbolo .

Ruotare la punta fino all'angolo desiderato.

Rilasciare il pulsante di blocco e ruotare la leva per la modifica della modalità operativa fino al simbolo . Quindi

verificare che la punta rimanga saldamente in posizione ruotandola leggermente.

Calibro di profondità (Fig. 13)

Il calibro di profondità è utile per praticare fori della stessa profondità. Allentare la vite di serraggio e regolare il calibro di profondità alla profondità desiderata. Al termine della regolazione, stringere saldamente la vite di serraggio.

NOTA:


- Non è possibile utilizzare il calibro di profondità quando tocca l'alloggiamento degli ingranaggi o del motore.

USO

ATTENZIONE:

- Durante il funzionamento, tenere sempre l'utensile utilizzando sia l'impugnatura con l'interruttore sia la maniglia ausiliaria laterale.

Foratura con percussione (Fig. 14)

Impostare la leva di selezione della modalità sul simbolo .

Collocare la punta nella posizione desiderata per il foro, quindi premere l'interruttore. Non forzare l'utensile. Una pressione lieve produce i risultati migliori. Mantenere l'utensile in posizione e impedire che la punta fuoriesca dal foro.

Non aumentare la pressione quando il foro è ostruito da frammenti o schegge. Al contrario, azionare l'utensile alla velocità minima, quindi rimuovere parzialmente la punta dal foro. Ripetere l'operazione più volte fino a quando il foro risulta sgombrato ed è possibile riprendere la foratura.


ATTENZIONE:

- Se la punta comincia a sfondare il cemento, o se urta contro barre di rinforzo all'interno del cemento, l'utensile può avere una reazione pericolosa. Mantenere un buon bilanciamento e una buona presa a terra e sorreggere fermamente l'utensile con entrambe le mani per evitare reazioni pericolose.

Soffietto a peretta (accessorio opzionale) (Fig. 15)

Al termine della foratura, utilizzare il soffietto a peretta per ripulire il foro dalla polvere.

Scalpellatura/scagliatura/demolizione (Fig. 16)

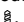
Impostare la leva di selezione della modalità sul simbolo .

Tenere saldamente l'utensile con entrambe le mani.

Accendere l'utensile e applicare una leggera pressione in modo da evitare rimbalzi non controllati. L'efficienza dell'utensile non aumenta se si applica una pressione più forte.

Foratura del legno o del metallo (Fig. 17)

Utilizzare il gruppo mandrino trapano senza chiave opzionale. Per eseguire l'installazione, fare riferimento a "Installazione o rimozione della punta" descritta nella pagina precedente.


Impostare la leva di selezione della modalità in modo che l'indicatore si trovi in corrispondenza del simbolo .

Tenere fermo l'anello e ruotare il manicotto in senso antiorario per aprire le griffe del mandrino. Inserire completamente la punta nel mandrino. Tenere saldamente l'anello e ruotare il manicotto in senso orario per serrare il mandrino. Per rimuovere la punta, tenere fermo l'anello e ruotare il manicotto in senso antiorario.

ATTENZIONE:

- Non utilizzare mai la "foratura con percussione" quando il mandrino di perforazione a cambio rapido è installato sull'utensile, in quanto il mandrino potrebbe danneggiarsi.
- Se si applica una pressione eccessiva sull'utensile non si accelera la foratura. Al contrario, una pressione eccessiva può danneggiare l'estremità della punta, diminuire l'efficacia dell'utensile e abbreviarne la durata operativa.
- Quando avviene lo sfondamento, l'utensile e la punta sono soggetti a una forza rotatoria molto intensa. Impugnare saldamente l'utensile e prestare particolare attenzione quando il foro è quasi completato.
- Fissare sempre i pezzi in lavorazione di piccole dimensioni utilizzando una morsa o un dispositivo simile.

Foratura con punta diamantata

Quando si effettuano forature con punte diamantate, impostare sempre la leva di modifica nella posizione  per utilizzare la modalità "solo rotazione".

ATTENZIONE:

- Se si effettuano forature con la punta diamantata utilizzando la modalità "foratura con percussione", la punta centrale diamantata potrebbe danneggiarsi.

MANUTENZIONE

ATTENZIONE:

- Prima di effettuare controlli e operazioni di manutenzione, verificare sempre che l'utensile sia spento e scollegato.
- Evitare assolutamente di usare benzina, diluenti, solventi, alcol o sostanze simili. In caso contrario, potrebbero verificarsi scoloriture, deformazioni o incrinature.

Lubrificazione

ATTENZIONE:

- Questa manutenzione deve essere effettuata solo da centri di assistenza autorizzati Makita o dal servizio interno del produttore.
- Questo utensile non richiede una lubrificazione quotidiana o regolare, perché dispone di un sistema di lubrificazione con grasso. Si consiglia tuttavia di sostituire periodicamente il grasso per garantire una maggiore durata dell'utensile.
- Azionare l'utensile per diversi minuti in modo da riscaldarlo. Spegnerlo e scollegare l'utensile.
- Allentare le quattro viti e rimuovere l'impugnatura. Nota: le viti superiori sono diverse dalle altre. (Fig. 18)
- Sconnettere il connettore, tirandolo. (Fig. 19)
- Allentare le due viti sul coperchio della manovella e rimuoverla. (Fig. 20)

Allineare la leva di selezione della modalità con il simbolo Δ , allentare le cinque viti, quindi rimuovere il coperchio della manovella. (Fig. 21 e 22)

ATTENZIONE:

- Rimuovere sempre il coperchio della manovella solo dopo aver allineato la leva di selezione della modalità con il simbolo Δ . Non rimuovere mai il coperchio della manovella con forza senza aver prima allineato la leva di selezione della modalità con il simbolo Δ . In caso contrario, non sarà possibile rimontare le vari parti. (Fig. 23)

Posare l'utensile su un banco da lavoro con la punta rivolta verso l'alto. In tal modo il grasso si raccoglierà nell'alloggiamento della manovella.

Asportare il grasso all'interno dell'alloggiamento e sostituirlo con grasso nuovo (30 g). Usare solo grasso per martelli originale Makita (accessorio opzionale). Il riempimento con una quantità di grasso superiore a quella indicata (approx. 30 g) può causare una percussione difettosa o guasti all'utensile. Riempire solo con la quantità di grasso specificata.

ATTENZIONE:

- Fare attenzione a non danneggiare il connettore o i conduttori, specie durante la rimozione del grasso.
- Per rimontare l'utensile, attenersi alla procedura di disinstallazione procedendo in senso inverso.

ATTENZIONE:

- Non stringere eccessivamente il coperchio della manovella. Il coperchio è costruito in resina ed è soggetto a rotture. (Fig. 24)
- Collegare saldamente il connettore, quindi rimontare l'impugnatura.

ATTENZIONE:

- Fare attenzione a non danneggiare il connettore o i conduttori, specie durante l'installazione dell'impugnatura.

Per mantenere la SICUREZZA e l'AFFIDABILITÀ del prodotto, le riparazioni, il controllo della spazzola di carbone, le sostituzioni e qualsiasi altra operazione di manutenzione o regolazione devono essere eseguite da un centro di assistenza Makita autorizzato usando sempre ricambi Makita.

ACCESSORI

ATTENZIONE:

- Si raccomanda di usare questi accessori per l'utensile Makita descritto in questo manuale. L'uso di qualsiasi altro accessorio potrebbe provocare lesioni personali. Utilizzare gli accessori esclusivamente per l'uso dichiarato.

Per l'assistenza e ulteriori informazioni su tali accessori, rivolgersi al centro di assistenza Makita più vicino.

- Punta SDS Max al carburo di tungsteno
- Punta gigante
- Punta centrale
- Scalpello a freddo
- Punta centrale diamantata
- Grasso per martello
- Scalpello per scagliatura
- Scalpello per scanalature
- Montaggio mandrino trapano senza chiave
- Grasso per punte

- Impugnatura laterale
- Calibro di profondità
- Soffietto a peretta
- Occhiali di protezione
- Valigetta di trasporto di plastica

Per il modello HR3540C

Rumore

ENG102-3

Il tipico livello di rumore ponderato "A" è determinato in conformità con la norma EN60745:

Livello di pressione sonora (L_{pA}): 93 dB (A)

Livello di potenza sonora (L_{WA}): 104 dB (A)

Variazione (K): 3 dB (A)

Indossare una protezione acustica.

Vibrazioni

ENG215-2

Il valore totale delle vibrazioni (somma vettoriale triassiale) è determinato in conformità con la norma EN60745:

Modalità di lavoro: scalpellatura

Emissione di vibrazioni ($a_{h,CHeq}$): 12,5 m/s²

Variazione (K): 1,5 m/s²

ENG303-2

Modalità di lavoro: foratura con martellamento del cemento

Emissione di vibrazioni ($a_{h,HD}$): 18,0 m/s²

Variazione (K): 1,5 m/s²

ENG301-1

Modalità di lavoro: foratura metallo

Emissione di vibrazioni ($a_{h,D}$): 2,5 m/s²

Variazione (K): 1,5 m/s²

Per il modello HR3541FC

Rumore

ENG102-3

Il tipico livello di rumore ponderato "A" è determinato in conformità con la norma EN60745:

Livello di pressione sonora (L_{pA}): 91 dB (A)

Livello di potenza sonora (L_{WA}): 102 dB (A)

Variazione (K): 3 dB (A)

Indossare una protezione acustica.

Vibrazioni

ENG215-2

Il valore totale delle vibrazioni (somma vettoriale triassiale) è determinato in conformità con la norma EN60745:

Modalità di lavoro: scalpellatura

Emissione di vibrazioni ($a_{h,CHeq}$): 9,0 m/s²

Variazione (K): 1,5 m/s²

ENG303-2

Modalità di lavoro: foratura con martellamento del cemento

Emissione di vibrazioni ($a_{h,HD}$): 11,0 m/s²

Variazione (K): 1,5 m/s²

ENG302-2

Modalità di lavoro: foratura metallo

Emissione di vibrazioni ($a_{h,D}$): 2,5 m/s² o inferiore

Variazione (K): 1,5 m/s²

Solo per i paesi europei

ENH101-13

Dichiarazione di conformità CE

Makita Corporation, in qualità di produttore

responsabile, dichiara che gli utensili Makita indicati di seguito:

Denominazione dell'utensile:

Martello combinato

N. modello/Tipo: HR3540C, HR3541FC

appartengono a una produzione in serie e

sono conformi alle seguenti direttive europee:

98/37/CE fino al 28 dicembre 2009 e

successivamente alla direttiva 2006/42/CE a partire dal 29 dicembre 2009

Sono inoltre prodotti in conformità con gli standard o i documenti standardizzati riportati di seguito:

EN60745

La documentazione tecnica viene conservata dal rappresentante autorizzato Makita in Europa, ovvero:

Makita International Europe Ltd.,

Michigan, Drive, Tongwell,

Milton Keynes, MK15 8JD, Inghilterra

30 gennaio 2009



Tomoyasu Kato

Direttore

Makita Corporation

3-11-8, Sumiyoshi-cho

Anjo, Aichi, JAPAN

Verklaring van algemene gegevens

- | | | |
|------------------------------|---------------------------------|------------------------------|
| 1. Aan/uit-schakelaar | 8. Bedrijfsindicatielamp (rood) | 15. Klenschroef |
| 2. Lamp | 9. Zijhandgreep | 16. Blaasbalgje |
| 3. Stelknop | 10. Boorschacht | 17. Schroeven |
| 4. Vastzetknop | 11. Boorvet | 18. Stekker |
| 5. Aanwijspunt | 12. Bit | 19. Deksel van krukafdekking |
| 6. Instelhefboom | 13. Boormof | |
| 7. AAN indicatielamp (groen) | 14. Diepteaanslag | |

TECHNISCHE GEGEVENS

Model		HR3540C	HR3541FC
Vermogen	Beton	Boortje met hardmetalen punt	35 mm
		Kroonboortje	90 mm
	Staal		13 mm
	Hout		32 mm
Nullasttoerental (min ⁻¹)		315 - 630	
Aantal slagen/minuut		1.650 - 3.300	
Totale lengte		439 mm	
Netto gewicht		5,2kg	5,6 kg
Veiligheidsklasse		II/II	

- Als gevolg van ons doorlopende onderzoeks- en ontwikkelingsprogramma, zijn de technische gegevens van dit gereedschap onderhevig aan veranderingen zonder voorafgaande kennisgeving.
- De technische gegevens kunnen van land tot land verschillen.
- Gewicht volgens EPTA-procedure 01/2003

Gebruiksdoeleinden

ENE044-1

Het gereedschap is bedoeld voor hamerboren in baksteen, beton en steen, en tevens voor beitelwerk.

Voeding

ENF002-1

Het gereedschap mag uitsluitend worden aangesloten op een voeding met dezelfde spanning als aangegeven op het identificatieplaatje en werkt alleen op enkele-fase wisselstroom. Het gereedschap is dubbel geïsoleerd volgens de Europese norm en mag derhalve ook op een niet-geaard stopcontact worden aangesloten.

Algemene veiligheidswaarschuwingen voor elektrisch gereedschap

GEA010-1

⚠ WAARSCHUWING Lees alle veiligheidswaarschuwingen en alle instructies. Het niet volgen van de waarschuwingen en instructies kan leiden tot elektrische schokken, brand en/of ernstig letsel.

Bewaar alle waarschuwingen en instructies om in de toekomst te kunnen raadplegen.

VEILIGHEIDSWAARSCHUWINGEN VOOR BOORHAMER

GEB007-7

1. **Draag gehoorbescherming.** Blootstelling aan harde geluiden kan leiden tot gehoorbeschadiging.

2. **Gebruik de hulphandgrepen, als deze bij het gereedschap werden geleverd.** Als u de controle over het gereedschap verliest, kan dit leiden tot ernstig persoonlijk letsel.
3. **Houd elektrisch gereedschap vast aan het geïsoleerde oppervlak van de handgrepen wanneer u werkt op plaatsen waar het bitaccessoire met verborgen bedrading of zijn eigen snoer in aanraking kan komen.** Wanneer het booraccessoire in aanraking komen met onder spanning staande draden, zullen de niet-geïsoleerde metalen delen van het gereedschap onder spanning komen te staan zodat de gebruiker een elektrische schok kan krijgen.
4. **Draag een veiligheidshelm, veiligheidsbril en/of gezichtsbescherming. Een gewone bril of een zonnebril is GEEN veiligheidsbril. Het wordt tevens sterk aanbevolen een stofmasker en dik gevoerde handschoenen te dragen.**
5. **Controleer dat het boortje stevig op zijn plaats is vastgezet voordat u het gereedschap gebruikt.**
6. **Bij normale bediening behoort het gereedschap te trillen. De schroeven kunnen gemakkelijk losraken, waardoor een defect of ongeluk kan ontstaan.**
Controleer of de schroeven goed zijn aangedraaid, alvorens het gereedschap te gebruiken.
7. **In koude weersomstandigheden of wanneer het gereedschap gedurende een lange tijd niet is gebruikt, laat u het gereedschap eerst opwarmen door het onbelast te laten werken. Hierdoor zal de**

- smering worden verbeterd. Zonder degelijk opwarmen, zal de hamerwerking moeilijk zijn.
8. **Zorg er altijd voor dat u stevig staat. Zorg ervoor dat er niemand zich onder u bevindt wanneer u het gereedschap op een hoge plaats gebruikt.**
 9. **Houd het gereedschap met beide handen stevig vast.**
 10. **Houd uw handen uit de buurt van bewegende delen.**
 11. **Laat het gereedschap niet ingeschakeld liggen. Bedien het gereedschap alleen wanneer u het vasthoudt.**
 12. **Richt het gereedschap niet op iemand in de buurt terwijl het is ingeschakeld. Het boortje zou eruit kunnen vliegen en iemand ernstig verwonden.**
 13. **Raak het boortje en onderdelen in de buurt van het boortje niet onmiddellijk na gebruik aan. Zij kunnen bijzonder heet zijn en brandwonden op uw huid veroorzaken.**
 14. **Sommige materialen bevatten chemische stoffen die giftig kunnen zijn. Neem voorzorgsmaatregelen tegen het inademen van stof en contact met de huid. Volg de veiligheidsinstructies van de leverancier van het materiaal op.**

BEWAAR DEZE INSTRUCTIES.

WAARSCHUWING:

Laat u NIET misleiden door een vals gevoel van comfort en bekendheid met het gereedschap (na veelvuldig gebruik) en neem alle veiligheidsvoorschriften van het betreffende product altijd strikt in acht. **VERKEERD GEBRUIK** of het niet volgen van de veiligheidsinstructies in deze gebruiksaanwijzing kan leiden tot ernstig persoonlijk letsel.

BESCHRIJVING VAN DE FUNCTIES

LET OP:

- Controleer altijd of het gereedschap is uitgeschakeld en de stekker uit het stopcontact is getrokken alvorens de functies van het gereedschap te controleren of af te stellen.

Aan/uit-schakelaar (zie afb. 1)

LET OP:

- Controleer altijd, voordat u de stekker in het stopcontact steekt, of de aan/uit-schakelaar op de juiste manier schakelt en weer terugkeert naar de uitstand nadat deze is losgelaten.

Om het gereedschap in te schakelen, knijpt u gewoon de aan/uit-schakelaar in. Laat de aan/uit-schakelaar los om het gereedschap te stoppen.

De lamp inschakelen

Voor model HR3541FC (zie afb. 2)

LET OP:

- Kijk niet rechtstreeks in het licht of naar de bron van de lamp.

Knijp de aan/uit-schakelaar in om de lamp op de voorkant in te schakelen. De lamp blijft branden zolang u de aan/uit-schakelaar ingeknepen houdt.

De lamp gaat 10 tot 20 seconden nadat u de aan/uit-schakelaar hebt losgelaten uit.

OPMERKING:

- Gebruik een doek om het vuil van de lens van de lamp te vegen.
Wees voorzichtig de lens van de lamp niet te bekrassen om de lichtopbrengst niet te verlagen.

De draaisnelheid veranderen (zie afb. 3)

Het toerental en het aantal slagen per minuut kan worden ingesteld door de instelschaal te verdraaien. Deze schaal is gemerkt van 1 (de laagste snelheid) tot 5 (volle snelheid).

Zie de tabel hieronder voor het verband tussen het op de schaal ingestelde cijfer en het aantal omwentelingen/slagen per minuut.

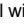
Cijfer op de schaal	Omwentelingen per minuut	Aantal slagen/ minuut
5	630	3.300
4	590	3.100
3	480	2.500
2	370	1.900
1	315	1.650

LET OP:

- Indien de machine gedurende lange tijd aan een laag toerental wordt gebruikt, geraakt de motor overbelast, wat leidt tot een storing van de machine.
- U kunt de snelheidsregelaar alleen tot aan het cijfer 5 draaien en terug naar 1. Forceer de schijf niet voorbij de 5 of de 1 omdat de snelheidsregeling daardoor onklaar raakt.

De werkingfunctie selecteren

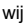
Roteren met hameren (zie afb. 4)

Voor het boren in beton, metselwerk, enz., drukt u de vastzetknop in en draait u de instelhefboom zo dat de wijzer naar het  symbool wijst. Gebruik een boortje met een hardmetalen punt.

Alleen ronddraaien (zie afb. 5)

Voor het boren in hout, metaal, enz., drukt u de vastzetknop in en draait u de keuzeknop zodat de aanwijspunt naar het  symbool wijst. Gebruik een spiraalboor of houtboor.

Alleen hameren (zie afb. 6)

Voor kappen of afbraakwerkzaamheden drukt u de vastzetknop in en draait u de instelhefboom zo dat de wijzer naar het  symbool wijst. Gebruik een ronde boor, koudbeitel, bikbeitel, enz.

LET OP:

- Draai niet aan de instelhefboom terwijl de machine loopt onder belasting. Het gereedschap zal hierdoor worden beschadigd.
- Om snelle slijtage van het werkingfunctie-omschakelmechanisme te voorkomen, zorgt u ervoor dat de keuzeknop altijd precies in een van de drie standen staat.

Koppelbegrenzer

De koppelbegrenzer treedt in werking wanneer de motor een bepaald koppel bereikt. De motor wordt dan ontkoppeld van de uitgangsas. Wanneer dit gebeurt, zal de boor ophouden met draaien.

LET OP:

- Schakel het gereedschap onmiddellijk uit wanneer de koppelbegrenzer in werking treedt. Hiermee helpt u vroegtijdige slijtage van het gereedschap voorkomen.

Lampjes (zie afb. 7)

Het groene lampje licht op wanneer het gereedschap op het lichtnet is aangesloten. Als het lampje niet brandt, kan het netsnoer beschadigd zijn of de sturing defect. Als het lampje brandt, maar het gereedschap niet start, zelfs niet wanneer de schakelaar in de aan-stand wordt gezet, kunnen de koolborstels versleten zijn, of kunnen de motor, de sturing, of de schakelaar defect zijn.

Het rode lampje gaat branden zodra de koolborstels bijna versleten zijn, om aan te geven dat de machine moet worden onderhouden. Na ong. 8 uren gebruik, stopt de motor automatisch.

ONDERDELEN AANBRENGEN/ VERWIJDEREN

LET OP:

- Controleer altijd of het gereedschap is uitgeschakeld en de stekker uit het stopcontact is getrokken alvorens enige werk aan het gereedschap uit te voeren.

De zijhandgreep monteren (extra handgreep) (zie afb. 8)

LET OP:

- Gebruik altijd de zijgreep om veilig te werken bij het boren in beton, metselwerk, enz.

De zijhandgreep kan worden gedraaid en op iedere zijkant worden gemonteerd zodat het gereedschap eenvoudig kan worden gehanteerd vanuit iedere positie. Draai de zijhandgreep los door deze linksom te draaien, verdraai deze naar de gewenste positie en zet hem weer vast door hem rechtsom te draaien.

De boor aanbrengen en verwijderen (zie afb. 9)

Reinig de bitschacht en smeer er bitvet op alvorens de bit te installeren.


Steek het boortje in het gereedschap. Draai de boor en duw deze naar binnen tot zij vergrendelt (zie afb. 10).

Als de bit niet naar binnen kan worden geduwd, haalt u de bit eruit. Trek het verwisselring enkel keren omlaag. Steek de bit daarna opnieuw naar binnen. Draai het boortje en duw hem naar binnen tot hij vergrendelt.


Controleer na het aanbrengen altijd of het boortje stevig in het gereedschap is bevestigd door te proberen het eruit te trekken.

Om de boor te verwijderen, trekt u de boorkopmerf helemaal omlaag en dan trekt u de boor eruit (zie afb. 11).

Beitelhoek (bij beitelten, bikken of slopen) (zie afb. 12)

De bit kan onder 24 verschillende hoeken worden vastgezet. Om de bithoek te veranderen, drukt u de vastzetknop in en draait u de omschakelknop naar het  symbool.

Draai de beitel naar de gewenste hoek.

Druk op de vergrendelknop en draai de instelhefboom zo dat de indicatie naar het  symbool wijst. Controleer daarna of de bit stevig op zijn plaats vastzit door deze iets te verdraaien.

Diepteaanslag (zie afb. 13)

De diepteaanslag is handig voor het boren van gaten van gelijke diepte. Los de klemschroef en stel de diepteaanslag in op de gewenste diepte. Draai na het instellen de klemschroef stevig vast.

OPMERKING:

- De diepteaanslag kan niet worden gebruikt in de positie waarbij deze tegen het tandwiel- of het motorhuis aanstoet.

BEDIENING

LET OP:

- Gebruik altijd de zijhandgreep (hulphandgreep) en houd het gereedschap tijdens gebruik stevig vast aan zowel de zijhandgreep als de hoofdhandgreep.

Gebruik als boorhamer (zie afb. 14)

Plaats de instelhefboom op  symbool.

Plaats de punt van de boor op de gewenste plaats waar geboord moet worden en trek vervolgens de schakelaar in. Forceer het gereedschap niet. Een lichte druk geeft de beste resultaten. Houd het gereedschap stevig vast en zorg dat het niet uitlijdt.

Oefen geen grotere druk uit wanneer het boorgat verstoppt raakt met schilfertjes of metaaldeeltjes. Laat in zo'n geval het gereedschap langzaam lopen en verwijder de boor gedeeltelijk uit het boorgat. Wanneer dit verschillende keren wordt herhaald, zal het boorgat schoon worden en kunt u normaal verder boren.

LET OP:

- Zodra de bit door het beton begint te breken of hij betonijzer raakt, kan de machine gevaarlijk reageren. Zorg voor een goed evenwicht en plast uw voeten veilig terwijl u de machine stevig met beide handen vasthoudt om een gevaarlijke reactie te vermijden.

Luchtblazer (los verkrijgbaar) (zie afb. 15)

Gebruik na het boren het blaasbalgje om het stof uit het boorgat te blazen.

Beitelten, bikken en slopen (zie afb. 16)

Plaats de instelhefboom op  symbool.

Houd het gereedschap met beide handen stevig vast.

Schakel het gereedschap in en oefen er enige kracht op uit zodat het gereedschap niet oncontroleerbaar in het rond springt. Het gereedschap werkt niet efficiënter als u grote druk op het gereedschap uitoefent.

Boren in hout of metaal (zie afb. 17)

Gebruik de los verkrijgbare sleutellose boorkop. Om deze te installeren, zie "Aanbrengen en verwijderen van de boor" op de vorige pagina.

Draai de keuzeknop zodat de aanwijspunt naar het Δ symbool wijst.

Houd de ring op zijn plaats en draai de bus linksom om de klauwen in de boorkop te openen. Steek de boor zo ver mogelijk in de boorkop. Houd de ring stevig op zijn plaats en draai de bus rechtsom om de klauwen in de boorkop te sluiten. Om de boor te verwijderen, houdt u de ring op zijn plaats en draait u de bus linksom.

LET OP:

- Gebruik nooit "Ronddraaien met hameren" wanneer de snelwisselboorkop op het gereedschap is aangebracht. De snelwisselboorkop kan worden beschadigd.
- Het boren zal niet sneller verlopen als u hard op het gereedschap drukt. In feite zal dergelijk duwen alleen maar leiden tot beschadiging van de boor, verlagen van de prestaties van het gereedschap, en verkorten van de levensduur van het gereedschap.
- Op het moment dat het boorgat doorbreekt wordt een enorme draaikracht uitgeoefend op het gereedschap/de boor. Houd het gereedschap stevig vast en let goed op wanneer het boortje door het werkstuk breekt.
- Zet kleine werkstukken altijd vast in een bankschroef of soortgelijk bevestigingsmiddel.

Diamantkroonboren

Wanneer u werkzaamheden met diamantkroonboren uitvoert, moet u de keuzeknop altijd in de stand Δ voor "alleen ronddraaien" zetten.

LET OP:

- Als u werkzaamheden met diamantkroonboren uitvoert in de stand "ronddraaien met hameren" kan de diamantkroonboor beschadigd raken.

ONDERHOUD

LET OP:

- Zorg er altijd voor dat het gereedschap is uitgeschakeld en de stekker uit het stopcontact is getrokken, voordat u een inspectie of onderhoud uitvoert.
- Gebruik nooit benzine, wasbenzine, thinner, alcohol, enz. Dit kan leiden tot verkleuren, vervormen of barsten.

Smeren

LET OP:

- Dit onderhoud mag alleen worden uitgevoerd door een erkend Makita-servicecentrum of de Makita-fabriek.

Het is niet nodig dit gereedschap iedere uur of iedere dag te smeren omdat het is uitgerust met een gesloten smeersysteem. Wij adviseren u echter het vet regelmatig te verversen voor een langere levensduur van het gereedschap.

Laat het gereedschap enkele minuten werken om het op te warmen. Schakel het gereedschap uit en trek vervolgens de stekker uit het stopcontact.

Draai de vier schroeven los en haal de handgreep eraf. Merk op dat de bovenste schroeven anders zijn dan de overige (zie afb. 18).

Koppel de stekker los door eraan te trekken (zie afb. 19).

Draai de twee schroeven op het deksel van de krukafdekking los en haal het deksel van krukafdekking eraf (zie afb. 20).

Draai de keuzeknop naar het Δ symbool, draai de vijf schroeven los en verwijder de krukafdekking (zie afb. 21 en 22).

LET OP:

- Verwijder de krukafdekking altijd alleen nadat de keuzeknop naar het Δ symbool is gedraaid. Verwijder het nooit met kracht zonder de keuzeknop naar het Δ symbool te draaien. Als u dat niet doet, kan het gereedschap niet meer in elkaar worden gezet (zie afb. 23).

Plaats het gereedschap op een tafel met het boor-uiteinde omhoog gericht. Hierdoor kan het oude vet zich in de krukast verzamelen.

Veeg het oude vet aan de binnenkant weg en vervang dit door nieuw vet (30 g). Gebruik uitsluitend Makita-hamervet (los verkrijgbaar). Als u meer dan de aangegeven hoeveelheid vet bijvult (ong. 30 g), kan dit leiden tot een verkeerde hamerwerking of een defect van het gereedschap. Vul niet meer dan de aangegeven hoeveelheid vet bij.

LET OP:

- Wees voorzichtig dat u de stekker of draden niet beschadigt, met name tijdens het wegvegen van het oude vet.

Om het gereedschap weer in elkaar te zetten, volgt u de demontageprocedure in omgekeerde volgorde.

LET OP:

- Draai de schroeven van de krukafdekking niet te strak vast. De krukafdekking is van kunststof gemaakt en kan breken (zie afb. 24).

Sluit de stekker stevig aan en monteer de handgreep.

LET OP:

- Wees voorzichtig dat u de stekker of draden niet beschadigt, met name tijdens het monteren van de handgreep.

Om de VEILIGHEID en BETROUWBAARHEID van het gereedschap te handhaven, dienen alle reparaties, controle en vervanging van de koolborstels, onderhoud en afstellingen te worden uitgevoerd door een erkend Makita-servicecentrum, en altijd met gebruikmaking van originele Makita-vervangingsonderdelen.

ACCESSOIRES

LET OP:

- Deze accessoires of hulpstukken worden aanbevolen voor gebruik met het Makita-gereedschap dat in deze gebruiksaanwijzing wordt beschreven. Het gebruik van andere accessoires of hulpstukken kan gevaar voor persoonlijk letsel opleveren. Gebruik de accessoires of hulpstukken uitsluitend voor de aangegeven gebruiksdoeleinden.

Mocht u meer informatie willen hebben over deze accessoires, dan kunt u contact opnemen met uw plaatselijke Makita-servicecentrum.

- SDS-Max bits met een carbidepunt

- Ronde boor
- Kroonboortje
- Koudbeitel
- Diamantkroonboortje
- Hamervet
- Bikbeitel
- Groefbeitel
- Sleutellose boorkop
- Boorvet
- Zijhandgreep
- Diepteaanslag
- Blaasbalgje
- Veiligheidsbril
- Kunststoffen draagdoos

Alleen voor Europese landen ENH101-13
EU-verklaring van conformiteit

Wij, Makita Corporation, als de verantwoordelijke fabrikant, verklaren dat de volgende Makita-machine(s):

Aanduiding van de machine:
 Combinatiehamer
 Modelnr./Type: HR3540C en HR3541FC
 in serie zijn geproduceerd en

Voldoen aan de volgende Europese richtlijnen:

98/37/EC tot en met 28 december 2009 en daarna
 aan 2006/42/EC vanaf 29 december 2009

En zijn gefabriceerd in overeenstemming met de
 volgende normen of genormaliseerde documenten:
 EN60745

De technische documentatie wordt bewaard door onze
 erkende vertegenwoordiger in Europa, te weten:

Makita International Europe Ltd.,
 Michigan Drive, Tongwell,
 Milton Keynes, MK15 8JD, Engeland

Voor model HR3540C

Geluid ENG102-3
 De typische, A-gewogen geluidsniveaus zijn gemeten
 volgens EN60745:

Geluidsdrukniveau (L_{pA}): 93 dB (A)
 Geluidsvermogeniveau (L_{wA}): 104 dB (A)
 Onzekerheid (K): 3 dB (A)

Draag gehoorbescherming.

Trilling ENG215-2

De totale trillingswaarde (triaxiale vectorsom) zoals
 vastgesteld volgens EN60745:

Gebruikstoepassing: beitelen
 Trillingsemisatie ($a_{h, CHeg}$): 12,5 m/s²
 Onzekerheid (K): 1,5 m/s²

ENG303-2

Gebruikstoepassing: hamerboren in beton
 Trillingsemisatie ($a_{h, HD}$): 18,0 m/s²
 Onzekerheid (K): 1,5 m/s²

ENG301-1

Gebruikstoepassing: boren in metaal
 Trillingsemisatie ($a_{h, D}$): 2,5 m/s²
 Onzekerheid (K): 1,5 m/s²

Voor model HR3541FC

Geluid ENG102-3
 De typische, A-gewogen geluidsniveaus zijn gemeten
 volgens EN60745:

Geluidsdrukniveau (L_{pA}): 91 dB (A)
 Geluidsvermogeniveau (L_{wA}): 102 dB (A)
 Onzekerheid (K): 3 dB (A)

Draag gehoorbescherming.

Trilling ENG215-2

De totale trillingswaarde (triaxiale vectorsom) zoals
 vastgesteld volgens EN60745:

Gebruikstoepassing: beitelen
 Trillingsemisatie ($a_{h, CHeg}$): 9,0 m/s²
 Onzekerheid (K): 1,5 m/s²

ENG303-2

Gebruikstoepassing: hamerboren in beton
 Trillingsemisatie ($a_{h, HD}$): 11,0 m/s²
 Onzekerheid (K): 1,5 m/s²

ENG302-2

Gebruikstoepassing: boren in metaal
 Trillingsemisatie ($a_{h, D}$): 2,5 m/s² of minder
 Onzekerheid (K): 1,5 m/s²

30 januari 2009



Tomoyasu Kato
 Directeur

Makita Corporation
 3-11-8, Sumiyoshi-cho
 Anjo, Aichi, JAPAN

Descripción y visión general

- | | | |
|--|--------------------------------------|------------------------------------|
| 1. Interruptor disparador | 8. Luz indicadora de servicio (roja) | 16. Bulbo de extracción |
| 2. Lámpara | 9. Mango lateral | 17. Tornillos |
| 3. Dial de ajuste | 10. Espiga de la broca | 18. Conector |
| 4. Botón de bloqueo | 11. Grasa para brocas | 19. Cubierta de la tapa del cárter |
| 5. Puntero | 12. Broca | |
| 6. Palanca de cambio | 13. Cubierta del mandril | |
| 7. Luz indicadora de encendido (verde) | 14. Calibre de profundidad | |
| | 15. Tornillo de apriete | |

ESPECIFICACIONES

Modelo		HR3540C	HR3541FC
Capacidades	Hormigón	Broca de punta de carburo de tungsteno	35 mm
		Broca	90 mm
	Acero		13 mm
	Madera		32 mm
Velocidad en vacío (min ⁻¹)		315 - 630	
Golpes por minuto		1.650 - 3.300	
Longitud total		439 mm	
Peso neto		5,2kg	5,6 kg
Clase de seguridad		II/III	

- Debido a nuestro programa continuo de investigación y desarrollo, las especificaciones aquí descritas están sujetas a cambios sin previo aviso.
- Las especificaciones pueden ser diferentes de un país a otro.
- Peso de acuerdo con el procedimiento EPTA 01/2003

Uso previsto

ENE044-1

Esta herramienta está diseñada para perforar con percusión ladrillo, hormigón y piedra, así como para trabajos de cincelado.

Alimentación

ENF002-1

La herramienta debe conectarse solamente a una fuente de alimentación de la misma tensión que la indicada en la placa de características, y sólo puede funcionar con corriente alterna monofásica. El sistema de doble aislamiento de la herramienta cumple con las normas europeas y puede, por lo tanto, usarse también en tomacorrientes sin conductor de tierra.

Advertencias de seguridad generales para herramientas eléctricas

GEA010-1

⚠ ADVERTENCIA Lea todas las advertencias de seguridad y todas las instrucciones. La no observancia de las advertencias y las instrucciones puede provocar descargas eléctricas, incendios y/o lesiones graves.

Guarde todas las advertencias e instrucciones para futuras consultas.

ADVERTENCIAS DE SEGURIDAD DEL MARTILLO ROTATIVO

GEB007-7

1. **Utilice protectores para los oídos.** La exposición al ruido puede producir pérdida auditiva.
2. **Utilice las empuñaduras auxiliares proporcionadas con la herramienta.** La pérdida de control puede ocasionar daños corporales.
3. **Sujete la herramienta eléctrica por las superficies de agarre aisladas al realizar una operación en que el accesorio de corte pueda entrar en contacto con cables ocultos o con su propio cable.** Si entra en contacto con un cable con corriente, puede que las piezas metálicas expuestas de la herramienta eléctrica se carguen también de corriente y que el operario reciba una descarga.
4. **Póngase un casco de seguridad, gafas de seguridad y/o una careta protectora. Las gafas normales o de sol NO son gafas de seguridad. También se recomienda encarecidamente que utilice una mascarilla antipolvo y guantes gruesos acolchados.**
5. **Asegúrese de que la broca esté firmemente sujeta en su lugar antes del uso.**
6. **En condiciones normales de funcionamiento, la herramienta está diseñada para producir vibraciones. Los tornillos pueden aflojarse fácilmente, con lo cual se puede averiar la herramienta o puede producirse un accidente.**

Compruebe que los tornillos estén bien apretados antes del uso.

- Si hace frío o la herramienta no se ha utilizado durante un período prolongado, deje que se caliente la herramienta poniéndola en marcha en vacío. De este modo se facilitará la lubricación. Si no se calienta adecuadamente, se dificultará el martilleo.
- Colóquese siempre en una posición bien equilibrada.
Si utiliza la herramienta en una ubicación elevada, asegúrese de que nadie se encuentre debajo.
- Sujete firmemente la herramienta con ambas manos.
- Mantenga las manos alejadas de las piezas móviles.
- No deje la herramienta encendida. Póngala en marcha solamente cuando la tenga en las manos.
- No apunte la herramienta hacia ninguna persona que se encuentre en la zona durante su uso. La broca podría salir disparada y herir gravemente a alguien.
- No toque la broca ni las piezas cercanas a ésta inmediatamente después de que hayan estado en funcionamiento; pueden estar extremadamente calientes y producir quemaduras en la piel.
- Algunos materiales contienen sustancias químicas que pueden ser tóxicas. Procure evitar la inhalación de polvo y el contacto con la piel.
Consulte la información de seguridad del proveedor del material.

GUARDE ESTAS INSTRUCCIONES.

ADVERTENCIA:

No deje que la comodidad o la familiaridad con el producto (a base de utilizarlo repetidamente) sustituya la estricta observancia de las normas de seguridad del producto en cuestión. El MAL USO o la no observancia de las normas de seguridad expuestas en este manual de instrucciones pueden ocasionar graves daños corporales.

DESCRIPCIÓN DEL FUNCIONAMIENTO

PRECAUCIÓN:

- Asegúrese siempre de que la herramienta esté apagada y desenchufada antes de intentar realizar cualquier tipo de ajuste o comprobación en ella.

Funcionamiento del interruptor (Fig. 1)

PRECAUCIÓN:

- Antes de enchufar la herramienta, asegúrese siempre de que el interruptor disparador funcione como es debido y de que vuelva a la posición "OFF" (apagado) al soltarlo.

Para poner en marcha la herramienta, simplemente accione el interruptor disparador. Suelte el interruptor disparador para detener la herramienta.

Encender la lámpara

Para el modelo HR3541FC (Fig. 2)

PRECAUCIÓN:

- No mire hacia la luz ni mire directamente hacia la fuente de luz.

Tire del interruptor disparador para encender la luz. La luz permanece encendida mientras se acciona el interruptor disparador.

La luz se apaga entre 10 y 20 segundos después de soltar el disparador.

NOTA:

- Utilice un paño seco para limpiar la suciedad del cristal de la lámpara.
Procure no rayar el cristal de la lámpara, puesto que puede disminuir el grado de iluminación.

Cambio de velocidad (Fig. 3)

El número de revoluciones y golpes por minuto puede ajustarse girando el dial de regulación. El dial está marcado del 1 (velocidad mínima) al 5 (velocidad máxima).

Consulte la siguiente tabla para obtener información sobre la relación entre los números del dial y el número de revoluciones / golpes por minuto.


Número del dial	Revoluciones por minuto	Golpes por minuto
5	630	3.300
4	590	3.100
3	480	2.500
2	370	1.900
1	315	1.650

PRECAUCIÓN:


- Si la herramienta se utiliza constantemente a baja velocidad durante un tiempo prolongado, el motor se sobrecargará y la herramienta dejará de funcionar correctamente.
- El dial de regulación de la velocidad puede girarse hasta 5 y de vuelta hasta 1 solamente. No lo fuerce más allá de 5 ó 1, o la función de ajuste de velocidad podrá dejar de funcionar.

Selección del modo de acción


Giro con percusión (Fig. 4)

Para taladrar hormigón, ladrillo, etc. apriete el botón de bloqueo y gire la palanca de cambio hasta que el puntero señale al símbolo . Utilice una broca con punta de carburo de tungsteno.

Sólo giro (Fig. 5)

Para taladrar madera, metal u otros materiales, apriete el botón de bloqueo y gire la palanca de cambio hasta que el puntero señale al símbolo . Utilice una broca helicoidal o de madera.

Sólo percusión (Fig. 6)

Para trabajos de cincelado, desincrustación o demolición, apriete el botón de bloqueo y gire la palanca de cambio hasta que el puntero señale al símbolo . Utilice un puntero, un cortafrío, un cincel de desincrustación, etc.

PRECAUCIÓN:

- No gire la palanca de cambio cuando la herramienta esté en marcha con carga ya que, de lo contrario, la herramienta se averiará.
- Para evitar el desgaste prematuro del mecanismo de cambio de modo, asegúrese siempre de que la palanca de cambio queda bien colocada en una de las tres posiciones de modo de acción.

Limitador de par de apriete

El limitador de par de apriete entra en acción cuando se alcanza un cierto nivel de par. El motor se desacoplará del eje de salida. Cuando esto suceda, la broca dejará de girar.

PRECAUCIÓN:

- Desconecte la herramienta tan pronto como actúe el limitador de par de apriete. Ello evitará que la herramienta se desgaste prematuramente.

Luz indicadora (Fig. 7)

La luz indicadora verde de encendido (ON) se enciende cuando se enchufa la herramienta. Si la luz indicadora no se enciende, puede que el cable de la corriente o el controlador estén averiados. Si la luz indicadora está encendida, pero la herramienta no se pone en marcha aunque esté encendida, puede que las escobillas de carbón estén desgastadas o que el controlador, el motor o el interruptor de encendido y apagado estén averiados. Cuando las escobillas están a punto de desgastarse por completo, la luz indicadora de servicio roja se ilumina para indicar que es necesario revisar la herramienta. Al cabo de aproximadamente 8 horas de servicio, el motor se apagará automáticamente.

MONTAJE

PRECAUCIÓN:

- Asegúrese siempre de que la herramienta esté apagada y desenchufada antes de intentar realizar cualquier trabajo en ella.

Instalación de la empuñadura lateral (mango auxiliar) (Fig. 8)

PRECAUCIÓN:

- Utilice siempre el mango lateral para garantizar la seguridad cuando taladre en hormigón, ladrillos, etc. El mango lateral se puede girar a cualquier lado, lo que posibilita un cómodo agarre de la herramienta en cualquier posición. Afloje el mango lateral girándolo en el sentido contrario a las agujas del reloj, colóquelo en la posición deseada y después apriételo girándolo en el sentido de las agujas del reloj.

Instalación o extracción de la broca (Fig. 9)

Limpie la espiga de la broca y engrásela antes de montarla.

Introduzca la broca en la herramienta. Gírela y empújela hasta que se enclave. (Fig. 10)


Si la broca no entra, extráigala. Desplace la cubierta del mandril un par de veces hacia abajo. Vuelva a introducir la broca. Gírela y empújela hasta que se enclave.

Después de la instalación, asegúrese siempre de que la broca esté bien sujeta en su lugar; para ello, intente sacarla.


Para extraer la broca, desplace la cubierta del mandril al máximo hacia abajo y tire de la broca hacia fuera.

(Fig. 11)

Ángulo de la broca (cincelado, desincrustación o demolición) (Fig. 12)

La broca puede fijarse en 24 ángulos diferentes. Para cambiarlo, apriete el botón de bloqueo y coloque la palanca de cambio de forma que el puntero señale al símbolo .

Gire la broca al ángulo requerido.

Apriete el botón de bloqueo y coloque la palanca de cambio de forma que el puntero señale al símbolo . Compruebe que la broca ha quedado bien sujeta; para ello, gírela ligeramente.

Calibre de profundidad (Fig. 13)

El calibre de profundidad es muy útil para realizar agujeros de profundidad uniforme. Afloje el tornillo de apriete y ajuste el calibre de profundidad en la profundidad deseada. Tras el ajuste, apriete firmemente el tornillo de apriete.

NOTA:

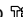
- No se puede usar el calibre de profundidad en la posición en la que golpea contra el alojamiento del engranaje / motor.

MANEJO

PRECAUCIÓN:

- Utilice siempre la empuñadura lateral (mango auxiliar) y sujete firmemente la herramienta por la empuñadura lateral y por el mango del interruptor durante el funcionamiento.

Función de perforación con percusión (Fig. 14)

Coloque la palanca de cambio en el símbolo .

Coloque la broca en el lugar donde desee practicar el orificio y, a continuación, presione el interruptor disparador. No fuerce la herramienta. Los mejores resultados se obtienen cuando se ejerce una presión suave. Mantenga la herramienta en posición y evite que se desplace fuera del orificio.

No ejerza más presión cuando el orificio se obstruya con restos o partículas de materiales. Pare la herramienta y, a continuación, extraiga la broca parcialmente del orificio. Repita esta operación varias veces hasta que el orificio se limpie y pueda reanudar la perforación.

PRECAUCIÓN:

- Cuando la broca empieza a romper el hormigón o cuando entra en contacto con las barras de refuerzo del hormigón la herramienta podría reaccionar peligrosamente. A fin de evitar reacciones peligrosas, colóquese en una posición que le permita mantener bien el equilibrio con los pies bien colocados y sujete la herramienta firmemente con ambas manos.

Bulbo de extracción (accesorio opcional) (Fig. 15)

Tras perforar el orificio, utilice el bulbo de extracción para quitar el polvo y los restos de materiales del orificio.

Cinzelado/desincrustación/demolición (Fig. 16)

Coloque la palanca de cambio en el símbolo ∇ .

Sujete firmemente la herramienta con ambas manos.

Encienda la herramienta y aplique una ligera presión sobre ella para evitar que rebote sin control. Apretar demasiado la herramienta no aumenta la eficacia.

Perforación en madera o metal (Fig. 17)

Utilice el conjunto de mandril automático opcional.

Cuando lo instale, consulte "Instalación o extracción de la broca", descrito en la página anterior.

Ajuste la palanca de cambio para que el puntero señale al símbolo \otimes .

Sujete la anilla y gire la camisa a la izquierda para abrir las mordazas del mandril. Inserte completamente la broca o la punta del destornillador en el mandril. Sujete la anilla con fuerza y gire la camisa a la derecha para sujetar el mandril. Para extraer la broca o la punta del destornillador, sujete la anilla y gire la camisa a la izquierda.

PRECAUCIÓN:

- No utilice el "giro con percusión" si el mandril de cambio rápido de broca está montado en la herramienta.
El mandril de cambio rápido de broca puede dañarse.
- Apretar la herramienta en exceso no acelerará la perforación. De hecho, esta presión excesiva sólo servirá para dañar la punta de la broca, reducir el rendimiento de la herramienta y acortar su vida útil.
- En el momento de realizar el orificio, se ejerce una presión de giro enorme sobre la herramienta y la broca. Sujete firmemente la herramienta y tenga mucho cuidado cuando la broca empieza a perforar el material.
- Sujete siempre las piezas de trabajo pequeñas en una prensa de tornillo o un dispositivo de sujeción similar.

Taladrado con la broca de diamante

Cuando realice operaciones de perforación con brocas de punta de diamante, coloque siempre la palanca de cambio en la posición \otimes para girar solamente.

PRECAUCIÓN:

- Si realiza operaciones de perforación con una broca de punta de diamante utilizando el "giro con percusión", la broca de punta de diamante puede resultar dañada.

MANTENIMIENTO

PRECAUCIÓN:

- Asegúrese siempre de que la herramienta esté apagada y desenchufada antes de intentar realizar cualquier trabajo de inspección o mantenimiento en ella.
- Nunca utilice gasolina, benceno, disolvente, alcohol o un producto similar. Se puede provocar una decoloración, una deformación o grietas.

Lubricación

PRECAUCIÓN:

- Las intervenciones deben ser realizadas únicamente por un centro autorizado o un centro de servicio técnico de Makita.

Esta herramienta no requiere lubricación por horas ni diaria, porque tiene un sistema de lubricación constante con grasa. No obstante, se recomienda sustituir periódicamente la grasa para lograr una mayor duración de la herramienta.

Haga funcionar la herramienta durante varios minutos para que se caliente. Apague y desenchufe la herramienta.

Afloje los cuatro tornillos y extraiga la empuñadura.

Tenga en cuenta que los tornillos superiores son diferentes del resto. (Fig. 18)

Tire de ellos para desconectar el conector. (Fig. 19)

Afloje los dos tornillos de la cubierta de la tapa del cárter y extráigala. (Fig. 20)

Alinee la palanca de cambio con el símbolo Δ , afloje los cinco tornillos y, a continuación, extraiga la tapa del cárter. (Fig. 21 y 22)

PRECAUCIÓN:

- Extraiga siempre la tapa del cárter sólo tras alinear la palanca de cambio con el símbolo Δ . Nunca la extraiga por la fuerza sin alinear la palanca de cambio con el símbolo Δ . En caso contrario no se podrá volver a montar. (Fig. 23)

Haga descansar la herramienta sobre la mesa con la barrena apuntando hacia arriba. De esta manera la grasa antigua se depositará en el alojamiento del cárter.

Limpie la grasa antigua y reemplácela con grasa nueva (30 g). Utilice sólo grasa original Makita para martillos (accesorio opcional). Si se añade más grasa de la especificada (aprox. 30 g), puede que haya problemas en el martilleo o que se averíe la herramienta. Añada sólo la cantidad especificada de grasa.

PRECAUCIÓN:

- Tenga cuidado de no dañar el conector o los conductores, especialmente al limpiar restos de grasa. Para volver a montar la herramienta, siga el procedimiento de desmontaje en orden inverso.

PRECAUCIÓN:

- No apriete en exceso la tapa del cárter. Está fabricada en resina y podría romperse. (Fig. 24)

Conecte el conector firmemente y vuelva a montar la empuñadura.

PRECAUCIÓN:

- Tenga cuidado de no dañar el conector o los conductores, especialmente al montar la empuñadura. Para conservar la SEGURIDAD y la FIABILIDAD del producto, los trabajos de reparación, la inspección y la sustitución de las escobillas de carbón, así como otros trabajos de mantenimiento y ajuste, deberán ser realizados en centros de servicio autorizados de Makita, utilizando siempre piezas de repuesto de Makita.

ACCESORIOS

PRECAUCIÓN:

- Se recomienda el uso de estos accesorios o complementos con la herramienta Makita especificada

en este manual. El uso de otros accesorios o complementos puede conllevar el riesgo de ocasionar daños corporales. Utilice los accesorios o complementos solamente para su fin establecido.

Si necesita cualquier ayuda para obtener más información relativa a estos accesorios, pregunte al centro de servicio Makita local.

- Brocas con punta de carburo SDS-Max
- Puntero
- Broca
- Cortafíos
- Broca de diamante
- Grasa para martillo
- Cíncel de desincrustación
- Cíncel para acanaladuras
- Conjunto del mandril automático
- Grasa para brocas
- Mango lateral
- Calibre de profundidad
- Bulbo de extracción
- Gafas de seguridad
- Maletín de plástico para el transporte

Para el modelo HR3540C

Ruido ENG102-3

Niveles típicos de ruido ponderado A determinados conforme a EN60745:

Nivel de presión de sonido (L_{pA}): 93 dB (A)

Nivel de potencia de sonido (L_{WA}): 104 dB (A)

Incertidumbre (K): 3 dB (A)

Utilice protección para los oídos.

Vibración ENG215-2

Valor total de la vibración (suma de vectores triaxiales)

determinado según el estándar EN60745:

Modo de trabajo: función de cincelado

Emisión de vibraciones ($a_{h,ChEq}$): 12,5 m/s²

Incertidumbre (K): 1,5 m/s²

ENG303-2

Modo de trabajo: taladrado de percusión en hormigón

Emisión de vibraciones ($a_{h,HD}$): 18,0 m/s²

Incertidumbre (K): 1,5 m/s²

ENG301-1

Modo de trabajo: taladrado en metal

Emisión de vibraciones ($a_{h,D}$): 2,5 m/s²

Incertidumbre (K): 1,5 m/s²

Para el modelo HR3541FC

Ruido ENG102-3

Niveles típicos de ruido ponderado A determinados conforme a EN60745:

Nivel de presión de sonido (L_{pA}): 91 dB (A)

Nivel de potencia de sonido (L_{WA}): 102 dB (A)

Incertidumbre (K): 3 dB (A)

Utilice protección para los oídos.

Vibración ENG215-2

Valor total de la vibración (suma de vectores triaxiales)

determinado según el estándar EN60745:

Modo de trabajo: función de cincelado

Emisión de vibraciones ($a_{h,ChEq}$): 9,0 m/s²

Incertidumbre (K): 1,5 m/s²

ENG303-2

Modo de trabajo: taladrado de percusión en hormigón

Emisión de vibraciones ($a_{h,HD}$): 11,0 m/s²

Incertidumbre (K): 1,5 m/s²

ENG302-2

Modo de trabajo: taladrado en metal

Emisión de vibraciones ($a_{h,D}$): 2,5 m/s² o menos

Incertidumbre (K): 1,5 m/s²

Sólo para países europeos

ENH101-13

Declaración de conformidad de la CE

Nosotros, Makita Corporation, en calidad de fabricante responsable, declaramos que las siguientes máquinas Makita:

Designación de la máquina:

Martillo combinado

Nº de modelo/ Tipo: HR3540C, HR3541FC

son de producción serie y

Cumplen con las siguientes Directivas europeas:

98/37/EC hasta el 28 de diciembre de 2009 y después con 2006/42/EC a partir del 29 de diciembre de 2009

Y se han fabricado de acuerdo con los siguientes estándares o documentos estandarizados:

EN60745

La documentación técnica la conserva nuestro representante autorizado en Europa, que es:

Makita International Europe Ltd.,

Michigan, Drive, Tongwell,

Milton Keynes, MK15 8JD, Inglaterra

30 de enero de 2009



Tomoyasu Kato

Director

Makita Corporation

3-11-8, Sumiyoshi-cho,

Anjo, Aichi, JAPAN

PORTUGUÊS

Descrição geral

- | | | |
|---|---|------------------------------------|
| 1. Gatilho | 8. Lâmpada de indicação de serviço (vermelho) | 15. Parafuso de fixação |
| 2. Lâmpada | 9. Apoio lateral | 16. Fole |
| 3. Manípulo de ajuste | 10. Haste da broca | 17. Parafusos |
| 4. Botão de bloqueio | 11. Lubrificadora da broca | 18. Conector |
| 5. Ponteiro | 12. Broca | 19. Cobertura da tampa da manivela |
| 6. Alavanca de comutação | 13. Tampa do mandril | |
| 7. Lâmpada de indicação de ligado (verde) | 14. Medidor de profundidade | |

ESPECIFICAÇÕES

Modelo		HR3540C	HR3541FC
Capacidades	Betão	Broca com ponta de carboneto de tungsténio	35 mm
		Broca de coroa	90 mm
	Aço		13 mm
	Madeira		32 mm
Sem velocidade de rotação em carga (mín. ⁻¹)		315 - 630	
Sopros por minuto		1.650 - 3.300	
Comprimento total		439 mm	
Peso líquido		5,2 kg	5,6 kg
Classe de segurança		II/III	

- Devido à pesquisa e desenvolvimento constantes, estas especificações estão sujeitas a alteração sem aviso prévio.
- Estas especificações podem diferir de país para país.
- Peso de acordo com procedimento EPTA de 01/2003

Utilização prevista ENE044-1

Esta ferramenta é para perfuração com martelo e perfuração em tijolo, cimento ou pedra assim como para trabalhos de acabamento.

Fonte de alimentação ENF002-1

A ferramenta apenas deve ser ligada a uma fonte de alimentação da mesma tensão que a indicada na chapa de especificações, e apenas pode funcionar com uma alimentação CA monofásica. Estão blindadas duplamente, de acordo com a Norma Europeia e podem, assim, ser igualmente ligadas a tomadas sem fio terra.

Avisos gerais de segurança para ferramentas eléctricas GEA010-1

⚠ AVISO Leia todos os avisos de segurança e todas as instruções. O não cumprimento dos avisos e instruções pode resultar na ocorrência de choques eléctricos, incêndios e/ou ferimentos graves.

Guarde todos os avisos e instruções para referência futura.

AVISOS DE SEGURANÇA DO MARTELO PERFURADOR GEB007-7

1. Use protecção para os ouvidos. A exposição ao ruído pode provocar a perda de audição.

2. Utilize a(s) pega(s) auxiliar(es) fornecida(s) com a ferramenta. A perda de controlo pode provocar ferimentos pessoais.
3. Quando executar operações em que acessórios de corte possam entrar em contacto com fios eléctricos ocultos ou com próprio cabo eléctrico da ferramenta, tenha o cuidado de tocar apenas nas superfícies isoladas desses acessórios. O acessório de corte em contacto com um fio eléctrico ligado à corrente pode electrificar as peças de metal da ferramenta e provocar um choque.
4. Use um capacete de segurança, óculos de protecção e/ou visor de protecção. Os óculos normais de visão ou os óculos escuros NÃO são óculos de segurança. É igualmente recomendável que use uma máscara de pó e luvas forradas grossas.
5. Certifique-se que a broca fixa no lugar antes de a utilizar.
6. Em funcionamento normal, a ferramenta está concebida para produzir vibrações. Os parafusos podem soltar-se facilmente, podendo provocar danos ou um acidente. Verifique se os parafusos estão bem apertados antes de utilizar o aparelho.
7. Em tempo frio ou quando a ferramenta não for usada durante muito tempo, deixe-a aquecer durante um bocado antes de a utilizar sem carga. Isto melhora a lubrificação. Sem um aquecimento correcto, o processo de martelagem pode tornar-se difícil.

8. Procure uma posição em pé estável e firme. Se utilizar a ferramenta em locais altos, verifique se não há ninguém por baixo.
9. Segure a ferramenta com firmeza, com as duas mãos.
10. Afaste as mãos das peças em movimento.
11. Não abandone a ferramenta a funcionar. Ponha-a a funcionar apenas quando estiver a segurá-la.
12. Não aponte a ferramenta a ninguém quando a estiver a utilizar. A broca pode soltar-se e ferir alguém seriamente.
13. Não toque numa broca nem nos seus componentes logo após a operação porque podem estar demasiado quentes.
14. Alguns materiais contêm produtos químicos que podem ser tóxicos. Tenha cuidado para evitar a inalação de pó e contacto com a pele. Siga as instruções de segurança do fornecedor do material.

GUARDE ESTAS INSTRUÇÕES.

AVISO:

NÃO deixe que o conforto ou a familiaridade com o produto (adquirida de uma utilização frequente) substitua o respeito total pelas regras de segurança para utilização do produto. A UTILIZAÇÃO INCORRECTA ou o não cumprimento das regras de segurança fornecidas neste manual de instruções podem provocar ferimentos graves.

DESCRIÇÃO DO FUNCIONAMENTO

PRECAUÇÃO:

- Certifique-se sempre de que a ferramenta está desligada no interruptor e da tomada antes de proceder a ajustes ou testes à mesma.

O gatilho/interruptor (Fig. 1)

PRECAUÇÃO:

- Antes de inserir a ficha da ferramenta na tomada, verifique se o gatilho está a funcionar correctamente e se volta à posição "OFF" quando o solta.
- Para colocar a ferramenta em funcionamento prima o gatilho. Para parar a ferramenta, solte o gatilho.

Acender a lâmpada

Para o modelo HR3541FC (Fig. 2)

PRECAUÇÃO:

- Não olhe directamente para a luz da ferramenta. Para a acender prima o gatilho. A lâmpada manter-se-á acesa enquanto o gatilho for premido. 10 a 20 segundos depois de o gatilho ser solto, a luz apaga-se.

NOTA:

- Para limpar a lâmpada, utilize um tecido seco. Tenha cuidado para não riscar a lente da lâmpada, pois poderia diminuir a intensidade da iluminação.

Alteração da velocidade (Fig. 3)

As rotações e sopros por minuto podem ser ajustadas rodando o manípulo de ajuste. O manípulo está marcado de 1 (velocidade mínima) a 5 (velocidade máxima). Consulte a tabela em baixo para a verificar a relação entre a definição dos números no manípulo de regulação e as rotações/sopros por minuto.

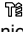
Número no manípulo de ajuste	Rotações por minuto	Sopros por minuto
5	630	3.300
4	590	3.100
3	480	2.500
2	370	1.900
1	315	1.650

PRECAUÇÃO:

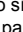
- Se a ferramenta fica em funcionamento contínuo a velocidades baixas por muito tempo, o motor fica sobrecarregado causando avaria no equipamento.
- O manípulo de regulação da velocidade apenas pode ser rodado até 5 ou 1. Não o force para lá de 5 ou 1, caso contrário a função de regulação da velocidade poderá deixar de funcionar.

Seleccionar o modo de funcionamento

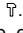
Rotação com martelo (Fig. 4)

Para perfurar em cimento, pedra, etc., prima o botão de bloqueio e rode o manípulo de mudança do modo de funcionamento para o símbolo . Utilize uma broca com ponta de carboneto de tungsténio.

Perfuração convencional (Fig. 5)

Para perfurar em madeira, metal, plástico etc., prima o botão de bloqueio e rode o manípulo de mudança do modo de funcionamento para o símbolo . Utilize uma broca helicoidal ou uma broca para madeira.

Percussão (Fig. 6)

Para desbastar, desencrostar ou demolir, prima o botão de bloqueio e rode o manípulo de mudança do modo de funcionamento para o símbolo . Utilize uma ponta de cinzel, buril, cinzel de desbaste, etc.

PRECAUÇÃO:

- Não rode o manípulo de mudança quando a ferramenta está em funcionamento sobre carga. Pode avariar a ferramenta.
- Para evitar uma rápida deterioração no mecanismo de mudança de modo, certifique-se de que o manípulo de mudança do modo de funcionamento está sempre correctamente posicionado numa das três posições do modo de funcionamento.

Limitador de binário

O limitador de binário actua quando um denominado nível de binário é atingido. O motor desengata do veio de saída. Quando isto acontecer, a broca pára de girar.

PRECAUÇÃO:

- Assim que o limitador de binário actuar, desligue a ferramenta imediatamente. Isto ajuda a evitar uma deterioração prematura da ferramenta.

Lâmpada indicadora (Fig. 7)

A lâmpada indicadora verde de alimentação ligada, acende-se quando a ferramenta é ligada à tomada. Se a lâmpada indicadora não se acender, o cabo de alimentação ou a lâmpada indicadora podem estar avariados. Se a lâmpada indicadora se acender mas a ferramenta não se iniciar, mesmo que a ferramenta seja ligada, as escovas de carvão poderão estar gastas ou o motor ou interruptor podem estar avariados.

A lâmpada vermelha indicadora de serviço acende quando as escovas de carvão estão quase gastas, para indicar que a ferramenta precisa de manutenção. Depois de aproximadamente 8 horas de uso, o motor desliga-se automaticamente.

MONTAGEM

PRECAUÇÃO:

- Certifique-se sempre de que a ferramenta está desligada no interruptor e da tomada antes de efectuar qualquer trabalho na mesma.

Instalar a pega lateral (manípulo auxiliar) (Fig. 8)

PRECAUÇÃO:

- Use sempre o apoio lateral para assegurar uma operação segura quando perfurar em cimento, pedra, etc.

O apoio lateral move-se para o outro lado, permitindo um fácil manuseamento da ferramenta em qualquer posição. Solte a pega lateral rodando-a no sentido contrário aos ponteiros do relógio, mova-a para a posição desejada e depois aperte-a rodando-a no sentido dos ponteiros do relógio

Instalar ou retirar a broca (Fig. 9)

Limpe a haste da broca e aplique lubrificante na broca antes de a instalar.

Introduza a broca na ferramenta. Gire a broca e empurre-a até encaixar. (Fig. 10)

Se não a conseguir empurrar, retire-a. Puxe a tampa do mandril para baixo várias vezes. E introduza a broca novamente. Gire a broca e empurre-a até encaixar.

Após instalar, certifique-se sempre de que a broca está bem fixa, tentando puxá-la para fora.

Para retirar a broca, puxe a tampa do mandril para baixo completamente e retire a broca. (Fig. 11)

Ângulo da broca (quando desbastar, desencrostar ou demolir) (Fig. 12)

A broca pode ser encaixada em 24 ângulos diferentes.

Para alterar o ângulo da broca, prima o botão de bloqueio e rode o manípulo de mudança do modo de funcionamento para o símbolo ⚙.

Rode a broca para o ângulo desejado.

Prima o botão de bloqueio e rode o manípulo de mudança até apontar para o símbolo ⚙. Certifique-se de que a broca está bem encaixada girando-a ligeiramente.

Medidor de profundidade (Fig. 13)

O medidor de profundidade é conveniente para perfurar buracos de profundidade uniforme. Solte a porca de fixação e ajuste o medidor de profundidade para a

profundidade desejada. Após o ajuste, aperte a porca de fixação firmemente.

NOTA:

- O medidor de profundidade não pode ser usado na posição em que o medidor de profundidade fique contra o compartimento de velocidade/compartimento do motor.

FUNCIONAMENTO

PRECAUÇÃO:

- Utilize sempre o apoio lateral (pega auxiliar) e segure a ferramenta com firmeza pelo apoio lateral e pela pega do interruptor enquanto trabalha.

Perfuração com percussão (Fig. 14)

Ajuste o manípulo de mudança para o símbolo ⚙.

Posicione a broca no ponto onde deseja efectuar a perfuração e prima o gatilho. Não force a ferramenta. Se aplicar uma leve pressão obterá melhores resultados. Concentre-se em manter a ferramenta na posição correcta e não deixar que a broca saia do orifício.

Não aplique mais pressão quando o orifício começar a ficar entupido com partículas do material perfurado. Em vez disso, coloque a ferramenta em compasso de espera e retire parcialmente a broca do orifício. Repetindo este processo várias vezes, manterá o orifício limpo e uma perfuração normal.

PRECAUÇÃO:

- Quando a broca começa a perfurar betão ou se a broca fulminar com muita força contra o cimento, a ferramenta pode tornar-se perigosa. Mantenha um bom equilíbrio com os pés firmes e em segurança enquanto segura a ferramenta firmemente com as duas mãos para evitar situações perigosas.

Fole (acessório opcional) (Fig. 15)

Depois de perfurado o orifício, utilize o fole para retirar o entulho e partículas.

Desbastar/Desencrostar/Demolir (Fig. 16)

Ajuste o manípulo de mudança para o símbolo ⚙.

Segure a ferramenta com firmeza, com as duas mãos.

Ligue a ferramenta e aplique uma ligeira pressão na ferramenta, de forma a que a ferramenta não salte

descontrolada. Premir a ferramenta com muita força não aumentará a eficiência.

Perfurar em madeira ou metal (Fig. 17)

Utilize o mandril sem chave de broca opcional. Quando o montar, consulte a secção “Instalar ou retirar a broca” descrita na página anterior.

Rode o manípulo de mudança do modo de funcionamento para o símbolo ⚙.


Segure o anel e rode a manga no sentido contrário aos ponteiros do relógio para abrir as garras do mandril.

Introduza a broca no mandril, até ao fundo. Segure o anel com firmeza e rode a manga no sentido dos ponteiros do relógio para apertar o mandril. Para retirar a broca, segure o anel e rode a manga no sentido contrário aos ponteiros do relógio.

PRECAUÇÃO:

- Nunca utilize a função de “perfuração com percussão” quando o mandril de broca de substituição rápida estiver montado na ferramenta. Caso contrário, poderia danificar o mandril de broca de substituição rápida.
- Exercer muita força sobre a ferramenta não irá aumentar a velocidade de perfuração. Na verdade, o excesso de força acabará apenas por danificar a ponta da broca, reduzir o desempenho da ferramenta e diminuir o seu tempo de vida útil.
- No início da perfuração, é exercida uma enorme força de torção na broca e na própria ferramenta. Mantenha a ferramenta firme e concentre-se no posicionamento da broca.
- Quando trabalhar em peças pequenas, fixe-as num torno ou num dispositivo semelhante.

Perfuração com coroa de diamante

Quando executar perfurações com coroa de diamante, coloque sempre o manípulo de mudança do modo na posição  para usar a função de “perfuração convencional”.

PRECAUÇÃO:

- Se efectuar perfurações com coroa de diamante utilizando a função de “perfuração com percussão”, a broca de coroa de diamante pode ficar danificada.

MANUTENÇÃO

PRECAUÇÃO:

- Certifique-se sempre de que a ferramenta está desligada no interruptor e da tomada antes de inspeccionar ou fazer a manutenção da ferramenta.
- Nunca utilize gasolina, benzina, diluente, álcool ou semelhante. Podem formar-se descolorações, deformações ou fissuras.

Lubrificação

PRECAUÇÃO:

- Este serviço deve ser realizado apenas pela Makita Authorized ou Factory Service Centers.
- Esta ferramenta não necessita de lubrificação constante ou diária pois tem um sistema de lubrificação integrado. No entanto, recomenda-se que substitua periodicamente a massa de lubrificação, para uma maior longevidade da ferramenta.
- Ligue a ferramenta durante alguns minutos para a aquecer. Desligue-a e retire a ficha da tomada. Solte os quatro parafusos e remova a pega. Note que os parafusos do topo são diferentes dos outros. (Fig. 18) Desligue o conector puxando-o. (Fig. 19) Solte os dois parafusos na cobertura da tampa da manivela e retire a cobertura da tampa da manivela. (Fig. 20)
- Alinhe o manípulo de mudança com o símbolo Δ , solte os cinco parafusos e remova a tampa da manivela. (Fig. 21 e 22)

PRECAUÇÃO:

- Remova sempre a tampa da manivela unicamente depois de alinhar o manípulo de mudança com o símbolo Δ . Nunca a remova à força, sem alinhar o

manípulo de mudança com o símbolo Δ . Caso contrário, não poderá voltar a montar. (Fig. 23)

Pouse a ferramenta na mesa com a broca apontada para cima. Isto permite que o lubrificante antigo se acumule dentro do compartimento da manivela.

Limpe o lubrificante antigo no interior e substitua-o por lubrificante novo (30 g). Use apenas lubrificante genuíno para martelos Makita (acessório opcional). Se encher com mais do que a quantidade de lubrificante especificada (aprox. 30 g) pode danificar o funcionamento do martelo ou da ferramenta. Encha apenas com a quantidade de lubrificante especificada.

PRECAUÇÃO:

- Tenha cuidado para não danificar o conector ou os fios, principalmente quando retirar o lubrificante usado. Para montar a ferramenta, siga o procedimento inverso de desmontagem.

PRECAUÇÃO:

- Não aperte demasiado a tampa da manivela. É feito de resina e está sujeito a ruptura. (Fig. 24)
- Ligue o conector com firmeza e reinstale a pega.

PRECAUÇÃO:

- Tenha cuidado para não danificar o conector ou os fios, principalmente quando instalar a pega.
- Para manter os níveis de SEGURANÇA e FIABILIDADE, as reparações, inspeção e substituição das escovas de carvão e outras operações de manutenção ou ajuste devem ser executadas por centros de assistência Makita autorizados e, no caso de substituição de peças, estas devem ser igualmente peças originais Makita.

ACESSÓRIOS

PRECAUÇÃO:

- Os seguintes acessórios ou extensões são os recomendados para utilizar com a ferramenta Makita especificada neste manual. A utilização de outros acessórios ou extensões podem provocar ferimentos. Utilize cada acessório ou extensão apenas para o fim indicado.

Se precisar de informações adicionais relativas aos acessórios, contacte o centro local de assistência Makita.

- Brocas com ponta de carboneto SDS-Max
- Ponta de cinzel
- Broca de coroa
- Butil
- Broca de coroa de diamante
- Lubrificante para o martelo
- Cinzel de desbaste
- Cinzel de ranhuração
- Conjunto de mandril de broca sem chave
- Lubrificante para brocas
- Apoio lateral
- Medidor de profundidade
- Fole
- Óculos protectores
- Mala de transporte de plástico

Para o Modelo HR3540C

Ruído ENG102-3

Os níveis acústicos ponderados A típicos foram determinados segundo a EN60745:

- Nível de pressão sonora (L_{pA}): 93 dB (A)
- Nível de potência sonora (L_{WA}): 104 dB (A)
- Incerteza (K): 3 dB (A)

Use protecção para os ouvidos.

Vibração ENG215-2

O valor total da vibração (soma triaxial de vectores) foi determinado segundo a EN60745:

- Modo de trabalho: função de cinzelagem
- Emissão de vibração ($a_{h,CHeq}$): 12,5 m/s²
- Incerteza (K): 1,5 m/s²

ENG303-2

- Modo de trabalho: martelagem de percussão em cimento
- Emissão de vibração ($a_{h,HD}$): 18,0 m/s²
- Incerteza (K): 1,5 m/s²

ENG301-1

- Modo de trabalho: perfuração em metal
- Emissão de vibração ($a_{h,D}$): 2,5 m/s²
- Incerteza (K): 1,5 m/s²

Para o Modelo HR3541FC

Ruído ENG102-3

Os níveis acústicos ponderados A típicos foram determinados segundo a EN60745:

- Nível de pressão sonora (L_{pA}): 91 dB (A)
- Nível de potência sonora (L_{WA}): 102 dB (A)
- Incerteza (K): 3 dB (A)

Use protecção para os ouvidos.

Vibração ENG215-2

O valor total da vibração (soma triaxial de vectores) foi determinado segundo a EN60745:

- Modo de trabalho: função de cinzelagem
- Emissão de vibração ($a_{h,CHeq}$): 9,0 m/s²
- Incerteza (K): 1,5 m/s²

ENG303-2

- Modo de trabalho: martelagem de percussão em cimento
- Emissão de vibração ($a_{h,HD}$): 11,0 m/s²
- Incerteza (K): 1,5 m/s²

ENG302-2

- Modo de trabalho: perfuração em metal
- Emissão de vibração ($a_{h,D}$): 2,5 m/s² ou menos
- Incerteza (K): 1,5 m/s²

Apenas para os países europeus ENH101-13

Declaração de conformidade CE

A Makita Corporation, na qualidade do fabricante responsável, declara que a(s) máquina(s) Makita seguinte(s):

Designação da máquina:

Martelo combinado

N.º de modelo/Tipo: HR3540C, HR3541FC

são produzidas em série e

estão em conformidade com as Directivas Europeias seguintes:

- 98/37/EC até 28 de Dezembro de 2009 e, de seguida, com a 2006/42/EC a partir de 29 de Dezembro de 2009

E são fabricadas de acordo com as normas ou os documentos padronizados seguintes:

EN60745

A documentação técnica é mantida pelo nosso representante autorizado na Europa, que é:

Makita International Europe Ltd.,
Michigan, Drive, Tongwell,
Milton Keynes, MK15 8JD, Inglaterra

30 de Janeiro de 2009



Tomoyasu Kato
Director

Makita Corporation
3-11-8, Sumiyoshi-cho
Anjo, Aichi, JAPAN

Forklaring til generel oversigt

- | | | |
|------------------------------------|--------------------------------|-----------------------|
| 1. Kontaktagreb | 8. Serviceindikatorlampe (rød) | 15. Tilspændingsskrue |
| 2. Lampe | 9. Sidehåndtag | 16. Udblæsningskolbe |
| 3. Drejeknap til justering | 10. Værktøjsskaft | 17. Skrue |
| 4. Låseknap | 11. Smørelse til bits | 18. Stik |
| 5. Pil | 12. Bit | 19. Krumtapdæksel |
| 6. Skiftearm | 13. Patronholder | |
| 7. Indikatorlampe for strøm (grøn) | 14. Dybdemåler | |

SPECIFIKATIONER

Model		HR3540C	HR3541FC
Kapaciteter	Beton	Bor med wolframkarbidforstærkning	35 mm
		Kernebor	90 mm
		Stål	13 mm
		Træ	32 mm
Hastighed uden belastning (min ⁻¹)		315 - 630	
Slag pr. minut		1.650 - 3.300	
Længde i alt		439 mm	
Nettovægt		5,2kg	5,6 kg
Sikkerhedsklasse		II/II	

- På grund af vores løbende forsknings- og udviklingsprogram kan specifikationerne heri ændres uden forudgående varsel.
- Specifikationerne kan variere fra land til land.
- Vægt i henhold til EPTA-procedure 01/2003

Tilsigtet brug ENE044-1

Den tilsigtede brug af dette værktøj er slagboring i mursten, beton og sten samt mejslingsarbejde.

Strømforsyning ENF002-1

Værktøjet bør kun slutes til en strømforsyning med den spænding, der er angivet på navnepladen, og det kan kun benyttes med enkeltfasen vekselstrøm. Det er dobbelt isoleret i overensstemmelse med europæisk standard og kan derfor også slutes til stikkontakter uden jordforbindelse.

Generelle sikkerhedsadvarsler for maskiner GEA010-1

⚠ ADVARSEL Læs alle sikkerhedsadvarsler og alle instruktioner. Hvis De ikke følger alle advarsler og instruktioner, kan det medføre elektrisk stød, brand og/eller alvorlig personskade.

Gem alle advarsler og instruktioner til senere reference.**SIKKERHEDSADVARSLER FOR BRUG AF BOREHAMMER** GEB007-7

1. **Bær høreværn.** Udsættelse for støj kan medføre høreskader.

2. **Benyt de ekstra håndtag, der eventuelt leveres med værktøjet.** Hvis du mister kontrollen, kan du komme til skade.
3. **Hold maskinen på de isolerede gribeblader, når du udfører arbejde, hvor det skærende tilbehør kan komme i kontakt med skjulte ledninger eller maskinens egen ledning.** Hvis det skærende tilbehør kommer i kontakt med en strømførende ledning, kan udsatte metaldele på maskinen blive strømførende, hvorved operatøren kan få elektrisk stød.
4. **Bær hård hovedbeklædning (sikkerhedshjelm), beskyttelsesbriller og/eller ansigtsmaske.** Almindelige briller eller solbriller er IKKE beskyttelsesbriller. Det anbefales desuden kraftigt at bære støvmaske og kraftigt polstrede handsker.
5. **Kontroller, at bitten sidder godt fast før brug.**
6. **Værktøjet er designet til at forårsage vibration ved normal brug.** Skrue kan nemt løsne sig og medføre et nedbrud eller en ulykke. Kontroller før brug, at skrue sidder stramt.
7. **Under kolde forhold, eller når værktøjet ikke har været anvendt i længere tid, skal De lade værktøjet varme op et stykke tid ved at lade det køre uden nogen belastning.** Derved løsnes smøremidlet. Uden korrekt opvarmning kan betjening af hammeren være vanskelig.
8. **Sørg altid for at have et solidt fodfæste.** Sørg for, at der ikke er nogen under Dem, når De benytter værktøjet på højtliggende steder.
9. **Hold godt fast i værktøjet med begge hænder.**

10. Hold hænderne på afstand af bevægelige dele.
11. Gå ikke fra værktøjet, mens det kører. Lad kun værktøjet køre, mens De holder det i hænderne.
12. Ret ikke værktøjet mod personer i nærheden, mens det kører. Bitten kan flyve ud og forårsage alvorlig personskade.
13. Berør ikke bitten eller dele i nærheden af bitten umiddelbart efter brugen. De kan være meget varme og kan forårsage forbrændinger af huden.
14. Nogle materialer indeholder kemikalier, som kan være giftige. Undgå at indånde støv eller at få det på huden. Følg sikkerhedsinstruktionerne fra leverandøren af materialerne.

GEM DISSE INSTRUKTIONER.

ADVARSEL:

LAD IKKE tryghed eller kendskab til produktet (fra gentagen brug) føre til, at du ikke strengt overholder sikkerhedsreglerne for det gældende produkt. MISBRUG eller manglende overholdelse af sikkerhedsreglerne i denne brugsanvisning kan medføre alvorlig personskade.

FUNKTIONSBESKRIVELSE

FORSIGTIG:

- Sørg altid for, at værktøjet er slukket, og at stikket er taget ud af stikkontakten, før De justerer værktøjet eller kontrollerer dets funktion.

Betjening af kontakt (Fig. 1)

FORSIGTIG:

- Før værktøjet tilsluttes, skal De altid kontrollere, at kontaktgrebet reagerer korrekt og vender tilbage til "OFF"-stillingen, når De slipper det.

For at starte værktøjet skal De blot trykke på kontaktgrebet. Slip kontaktgrebet for at stoppe.

Tænding af lampen

For model HR3541FC (Fig. 2)

FORSIGTIG:

- Se ikke direkte ind i lyset eller lyskilden. Træk i kontaktgrebet for at tænde for lyset. Lampen forbliver tændt, så længe der trækkes i kontaktgrebet. Lampen slukker 10 - 20 sekunder efter, at grebet er sluppet.

BEMÆRK:

- Benyt en tør klud til at tørre snavs af lampens linse. Pas på ikke at ridse lampens linse, da det kan mindske lysstyrken.

Ændring af hastigheden (Fig. 3)

Antallet af omdrejninger og slag pr. minut kan justeres ved at dreje med drejeknappen. Drejeknappen har mærker fra 1 (laveste hastighed) til 5 (fuld hastighed).

Se i tabellen nedenfor for sammenhængen mellem talindstillingerne på drejeknappen og antallet af omdrejninger/slag pr. minut.

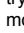
Nummer på drejeknappen	Omdrejninger pr. minut	Slag pr. minut
5	630	3.300
4	590	3.100
3	480	2.500
2	370	1.900
1	315	1.650

FORSIGTIG:

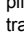
- Hvis værktøjet anvendes i længere tid ved lav hastighed, overbelastes motoren, og værktøjet kan gå i stykker.
- Drejeknappen til hastighedsjustering kan kun drejes op til 5 og tilbage til 1. Prøv ikke at tvinge den forbi 5 eller 1, da hastighedsjusteringen ellers kan gå i stykker.

Valg af funktionstilstand

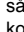
Rotation med slag (Fig. 4)

Ved boring i beton, murværk osv. skal låseknappen trykkes ned, og skiftearmen skal drejes, så pilen peger mod -symbolet. Brug et bor med wolframcarbidsforstærkning.

Kun rotation (Fig. 5)

Ved boring i træ, metal eller andre materialer skal låseknappen trykkes ned, og skiftearmen skal drejes, så pilen peger mod -symbolet. Brug et sneglebor eller et træbor.

Kun slag (Fig. 6)

Ved mejslings-, afbanknings- eller nedrivningsbetjening skal låseknappen trykkes ned, og skiftearmen skal drejes, så pilen peger mod -symbolet. Brug en spidshammer, koldmejsel, afbankningsmejsel osv.

FORSIGTIG:

- Undlad at dreje skiftehåndtaget, mens værktøjet kører under belastning. Dette vil beskadige værktøjet.
- For at undgå hurtigt slid på mekanismen til funktionsskift skal De sikre Dem, at skiftearmen altid er sikkert placeret i en af de tre funktionspositioner.

Skridkobling

Skridkoblingen udløses, når der nås et vist momentniveau. Motoren vil koble fra drivakslen. Når dette sker, holder bitten op med at dreje rundt.

FORSIGTIG:

- Så snart skridkoblingen udløses, skal værktøjet slukkes med det samme. Dette vil hjælpe med til at forhindre, at værktøjet nedslides for tidligt.

Indikatorlampe (Fig. 7)

Den grønne indikatorlampe for strøm lyser, når værktøjet er sat i stikkontakten. Hvis indikatorlampen ikke tændes, er netledningen eller kontrollen muligvis defekt. Hvis indikatorlampen lyser, men værktøjet ikke starter, selvom der er tændt for værktøjet, er kulbørsterne muligvis slidt ned, eller motoren eller kontakten kan være defekt. Den røde indikatorlampe for service tændes, når kulbørsterne er ved at være slidt ned, for at angive, at der

skal udføres service på værktøjet. Der slukkes automatisk for motoren efter cirka 8 timers brug.

MONTERING

FORSIGTIG:

- Sørg altid for, at værktøjet er slukket og taget ud af stikkontakten, før De udfører nogen form for arbejde på værktøjet.

Montering af sidegreb (ekstra håndtag)

(Fig. 8)

FORSIGTIG:

- Brug altid sidegrebet til at sikre betjeningsikkerheden ved boring i beton, murværk osv.

Sidegrebet kan svinges til begge sider, så det er let at betjene værktøjet i enhver stilling. Løsn sidegrebet ved at dreje det mod uret, vend det til den ønskede position og stram det derefter ved at dreje det med uret.

Montering eller afmontering af bitten


(Fig. 9)


Rengør værktøjsskaffet, og smør smøremiddel på det, før bitten monteres.

Sæt bitten i værktøjet. Drej bitten, og tryk den ind, indtil den går i indgreb. (Fig. 10)

Hvis bitten ikke kan trykkes ind, skal den tages ud. Træk patronholderen ned et par gange. Sæt derefter bitten i igen. Drej bitten, og tryk den ind, indtil den går i indgreb. Efter montering skal De altid sikre Dem, at bitten sidder godt fast, ved at forsøge at trække den ud. For at udtage bitten skal patrondækslet trækkes helt ned, hvorefter bitten fjernes. (Fig. 11)

Vinkel på bit (under mejsling, afbankning eller nedrivning) (Fig. 12)

Bitten kan fastgøres i 24 forskellige vinkler. Hvis De vil ændre vinklen på bitten, skal De trykke låseknappen ned og dreje skiftearmen, så pilen peger mod -symbolet. Drej bitten til den ønskede vinkel.

Tryk låseknappen ned, og drej skiftearmen, så pilen peger mod -symbolet. Sørg derefter for, at bitten holdes sikkert på plads, ved at dreje den en smule.

Dybdemåler (Fig. 13)

Dybdemåleren kan bruges til at bore huller, som har samme dybde. Løsn tilspændingsskruen, og juster dybdemåleren til den ønskede dybde. Stram tilspændingsskruen fast efter justeringen.

BEMÆRK:

- Dybdemåleren kan ikke bruges i den position, hvor dybdemåleren rammer gearhuset/motorhuset.

BETJENING

FORSIGTIG:

- Anvend altid sidehåndtaget (ekstra håndtag), og hold godt fast i værktøjet i både sidehåndtaget og kontakthåndtaget under betjening.

Betjening ved slagboring (Fig. 14)

Indstil skiftearmen til -symbolet.

Placer bitten på det sted, hvor hullet skal bores, og træk i kontaktagrebet. Brug ikke magt på værktøjet. Et let tryk giver det bedste resultat. Hold værktøjet på positionen, og undgå, at det glider væk fra hullet.

Anvend ikke mere tryk, når hullet bliver tilstoppet med spåner eller partikler. Lad i stedet værktøjet køre i tomgang, og tag bitten delvist ud af hullet. Når De gentager denne fremgangsmåde flere gange, tømmes hullet, og De kan fortsætte med at bore.

FORSIGTIG:

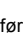
- Når bitten begynder at bryde gennem beton, eller hvis bitten rammer armeringsjern i beton, kan værktøjet reagere på en farlig måde. Bevar en god balance og godt fodfæste, og hold godt fast i værktøjet med begge hænder for at forhindre farlige reaktioner.

Udblæsningskolbe (fås som tilbehør)

(Fig. 15)

Når hullet er boret, kan De bruge udblæsningskolben til at fjerne støv fra hullet.

Mejsling/afbankning/nedrivning (Fig. 16)

Indstil skiftearmen til -symbolet.

Hold godt fast i værktøjet med begge hænder. Tænd for værktøjet, og tryk let på værktøjet, så det ikke kommer ud af kontrol. Effektiviteten forøges ikke ved at trykke meget hårdt på værktøjet.

Boring i træ eller metal (Fig. 17)

Brug det nøglefrie borepatronsæt, som fås som ekstraudstyr. Se "Montering og afmontering af bitten" på forrige side, når den skal monteres.


Indstil skiftearmen, så pilen peger mod -symbolet.

Hold i ringen, og drej muffen mod uret for at åbne patronkæberne. Sæt bitten i patronen, til den ikke kan komme længere ind. Hold godt fast i ringen, og drej muffen med uret for at stramme patronen. Hold fast i ringen, og drej muffen mod uret for at tage bitten ud.

FORSIGTIG:

- Brug aldrig "rotation med slag", når borepatronen til hurtigskift er monteret på værktøjet. Borepatronen til hurtigskift kan blive beskadiget.
- Boringen går ikke hurtigere, hvis De trykker hårdt på værktøjet. Det ekstra tryk vil blot beskadige bitten, så værktøjets ydelse forringes, og dets levetid forkortes.
- Værktøjet og bitten er under påvirkning af stærke vridningskræfter på det tidspunkt, hvor bitten bryder igennem. Hold godt fast i værktøjet, og vær opmærksom, når bitten begynder at bryde igennem arbejdsområdet.
- Fastgør altid små arbejdsstykker i en skruestik eller lignende udstyr til fastgørelse.

Boring med diamantkerne

Når der bores med diamantkerne, skal skiftearmen altid indstilles til -positionen for at benytte "kun rotation".

FORSIGTIG:

- Hvis der bores med "rotation med slag", kan diamantkerneboret blive beskadiget.

VEDLIGEHOELDELSE

FORSIGTIG:

- Sørg altid for, at værktøjet er slukket, og at stikket er taget ud, før De forsøger at udføre inspektion eller vedligeholdelse.
- Brug aldrig benzin, benzen, fortynder, alkohol eller lignende. Det kan muligvis medføre misfarvning, deformation eller revner.

Smøring

FORSIGTIG:

- Denne service bør kun udføres af autoriserede Makita-servicecentre eller fabrikksservicecentre.

Værktøjet kræver ikke smøring hver time eller hver dag, da det har et indbygget smøringssystem. Men det anbefales, at De med mellemrum udskifter smøremidlet, for at værktøjet kan opnå en længere levetid.

Lad værktøjet køre i flere minutter for at varme det op.

Sluk for værktøjet, og tag stikket ud af stikkontakten. Løsn de fire skruer, og afmonter håndtaget. Bemærk, at de øverste skruer er forskellige fra de andre skruer. (Fig. 18)

Tag stikket ud ved at trække i det. (Fig. 19)

Løsn de to skruer på krumtapdækslet, og fjern krumtapdækslet. (Fig. 20)

Indstil skiftearmen på Δ -symbolet, løsn de fem skruer, og fjern derefter krumtapdækslet. (Fig. 21 og 22)

FORSIGTIG:

- De må ikke fjerne krumtapdækslet, før skiftearmen er indstillet på symbolet Δ . Brug aldrig magt for at fjerne det uden at indstille skiftearmen på Δ -symbolet. Hvis De gør dette, kan det ikke monteres igen. (Fig. 23)

Placer værktøjet på bordet med bitten opad. Derved samles gammelt smøremiddel inde i krumtaphuset. Tør det gamle smøremiddel i huset bort, og udskift med frisk smøremiddel (30 g). Brug kun ægte Makita-hammerfedtstof (fås som tilbehør). Hvis der påfyldes mere end den angivne mængde smøremiddel (cirka 30 g), kan det medføre forkert hammerfunktion, eller at værktøjet slet ikke fungerer. Påfyld kun den angivne mængde smøremiddel.

FORSIGTIG:

- Pas på ikke at beskadige stikket eller ledningerne, især når De tørrer det gamle smøremiddel bort.

Følg fremgangsmåden til afmontering i omvendt rækkefølge for at samle værktøjet igen.

FORSIGTIG:

- Undlad at stramme krumtapdækslet for hårdt. Det er fremstillet af harpiks og kan gå i stykker. (Fig. 24)
- Sæt stikket fast i, og monter håndtaget igen.

FORSIGTIG:

- Pas på ikke at beskadige stikket eller ledningerne, især når De monterer håndtaget igen.

For at holde produktet SIKKERT og PÅLIDELIGT skal reparationer, kontrol og udskiftning af kulbørsterne samt al anden vedligeholdelse eller justering udføres af autoriserede Makita-servicecentre, der altid benytter Makita-reservedele.

TILBEHØR

FORSIGTIG:

- Dette tilbehør eller ekstraudstyr anbefales til brug med det Makita-værktøj, som er beskrevet i denne brugsanvisning. Brug af andet tilbehør eller ekstraudstyr kan forårsage personskade. Brug kun tilbehør eller ekstraudstyr til det formål, det er beregnet til.

Henvend Dem til Deres lokale Makita-servicecenter, hvis De har brug for hjælp eller yderligere oplysninger vedrørende tilbehøret.

- SDS-Max karbidforstærkede bits
- Spidshammer
- Kernebor
- Koldmejsel
- Diamantkernebor
- Hammerfedtstof
- Afbankningsmejsel
- Kanalmejsel
- Nøglefrit borepatronsæt
- Smøremiddel til bits
- Sidegreb
- Dybdemåler
- Udblæsningskolbe
- Sikkerhedsbriller
- Plastikbæretaske

For model HR3540C

Støj

ENG102-3

Det typiske A-vægtede støjniveau bestemt i overensstemmelse med EN60745:

Lydtryksniveau (L_{pA}): 93 dB (A)

Lydeffektivniveau (L_{WA}): 104 dB (A)

Usikkerhed (K): 3 dB (A)

Bær høreværn.

Vibration

ENG215-2

Den samlede vibrationsværdi (treaksial vektorsum)

bestemt i overensstemmelse med EN60745:

Arbejdstilstand: mejslingsfunktion

Vibrationsemission ($a_{h,CHetq}$): 12,5 m/s²

Usikkerhed (K): 1,5 m/s²

ENG303-2

Arbejdstilstand: hammerboring i beton

Vibrationsemission ($a_{h,HD}$): 18,0 m/s²

Usikkerhed (K): 1,5 m/s²

ENG301-1

Arbejdstilstand: boring i metal

Vibrationsemission ($a_{h,D}$): 2,5 m/s²

Usikkerhed (K): 1,5 m/s²

For model HR3541FC

Støj

ENG102-3

Det typiske A-vægtede støjniveau bestemt i overensstemmelse med EN60745:

Lydtryksniveau (L_{pA}): 91 dB (A)

Lydeffektivniveau (L_{WA}): 102 dB (A)

Usikkerhed (K): 3 dB (A)

Bær høreværn.

Vibration

ENG215-2

Den samlede vibrationsværdi (treaksial vektorsum)

bestemt i overensstemmelse med EN60745:

Arbejdstilstand: mejslingsfunktion

Vibrationsemission ($a_{h,CHetq}$): 9,0 m/s²

Usikkerhed (K): 1,5 m/s²

ENG303-2

Arbejdstilstand: hammerboring i beton

Vibrationsemission ($a_{h,D}$): 11,0 m/s²

Usikkerhed (K): 1,5 m/s²

ENG302-2

Arbejdstilstand: boring i metal

Vibrationsemission ($a_{h,D}$): 2,5 m/s² eller mindre

Usikkerhed (K): 1,5 m/s²

ENH101-13

Kun for europæiske lande

EF-overensstemmelseserklæring

Vi, Makita Corporation, erklærer som ansvarlig producent at følgende Makita-maskine(r):

Maskinens betegnelse:

Kombinationshammer

Modelnummer/ type: HR3540C, HR3541FC

er en produktionsserie og

Overholder følgende europæiske direktiver:

98/37/EC indtil den 28. december 2009 og derefter

2006/42/EC fra den 29. december 2009

Og er produceret i overensstemmelse med følgende

standarder eller standardiserede dokumenter:

EN60745

Den tekniske dokumentation findes hos vores

autoriserede repræsentant i Europa:

Makita International Europe Ltd.,

Michigan, Drive, Tongwell,

Milton Keynes, MK15 8JD, England

30. januar 2009



Tomoyasu Kato

Direktør

Makita Corporation

3-11-8, Sumiyoshi-cho

Anjo, Aichi, JAPAN

Περιγραφή γενικής όψης

- | | | |
|--|---------------------------------|---------------------------------|
| 1. Σκανδάλη-διακόπτης | 8. Ενδεικτική λυχνία συντήρησης | 15. Βίδα σύσφιξης |
| 2. Λάμπα | (κόκκινη) | 16. Φουσητήρι |
| 3. Επιλογέας ρύθμισης | 9. Πλαϊνή λαβή | 17. Βίδες |
| 4. Κουμπί κλειδώματος | 10. Κολάρο μύτης | 18. Συνδετήρας |
| 5. Δείκτης | 11. Γράσο για μύτες | 19. Κάλυμμα κατακτιού στροφάλου |
| 6. Μοχλός αλλαγής | 12. Μύτη | |
| 7. Ενδεικτική λυχνία ANAMMENOY (πράσινη) | 13. Κάλυμμα κεφαλής | |
| | 14. Μετρητής βάθους | |

ΠΡΟΔΙΑΓΡΑΦΕΣ

Μοντέλο		HR3540C	HR3541FC
Χωρητικότητα	Τσιμέντο	Μύτη με άκρο βολφραμίου-καρβιδίου	35 mm
		Πυρηνοληπτική μύτη	90 mm
	Ατσάλι		13 mm
	Ξύλο		32 mm
Ταχύτητα χωρίς φορτίο (min ⁻¹)		315 - 630	
Κρούσεις το λεπτό		1.650 - 3.300	
Ολικό μήκος		439 mm	
Καθαρό βάρος		5,2kg	5,6 kg
Τάξη ασφάλειας		II/II	

- Λόγω του συνεχόμενου προγράμματος που εφαρμόζουμε για έρευνα και ανάπτυξη, τα τεχνικά χαρακτηριστικά στο παρόν έντυπο υπόκεινται σε αλλαγή χωρίς προειδοποίηση.
- Τα τεχνικά χαρακτηριστικά ενδέχεται να διαφέρουν ανάλογα με τη χώρα.
- Βάρος σύμφωνα με τη διαδικασία ΕΡΤΑ 01/2003

Προοριζόμενη χρήση

ENE044-1

Το εργαλείο προορίζεται για κρουστικό τρυπάνισμα σε τούβλα, τσιμέντο και πέτρα, καθώς και για καλέμισμα.

Ηλεκτρική παροχή

ENF002-1

Το εργαλείο πρέπει να συνδέεται μόνο σε ηλεκτρική παροχή της ίδιας τάσης με αυτήν που αναγράφεται στην πινακίδα ονομαστικών τιμών και μπορεί να λειτουργήσει μόνο με εναλλασσόμενο μονοφασικό ρεύμα. Τα εργαλεία αυτά διαθέτουν διπλή μόνωση που συμμορφώνεται με τα ευρωπαϊκά πρότυπα και συνεπώς μπορούν να συνδεθούν με πρίζες χωρίς γείωση.

Γενικές Προειδοποιήσεις Ασφαλείας Του Ηλεκτρικού Εργαλείου

GEA010-1

⚠ ΠΡΟΕΙΔΟΠΟΙΗΣΗ Διαβάστε όλες τις προειδοποιήσεις ασφαλείας και όλες τις οδηγίες. Αν δεν ακολουθήσετε όλες τις προειδοποιήσεις και τις οδηγίες, υπάρχει κίνδυνος ηλεκτροπληξίας, πυρκαγιάς ή/και σοβαρού τραυματισμού.

Φυλάξτε όλες τις προειδοποιήσεις και τις οδηγίες για μελλοντική αναφορά.

ΠΡΟΕΙΔΟΠΟΙΗΣΕΙΣ ΑΣΦΑΛΕΙΑΣ ΠΕΡΙΣΤΡΟΦΙΚΟΥ ΔΡΑΠΑΝΟΥ

GEB007-7

1. **Να φοράτε ωτοασπίδες.** Η έκθεση σε θόρυβο μπορεί να προκαλέσει απώλεια ακοής.
2. **Να χρησιμοποιείτε τη βοηθητική χειρολαβή(ες), εάν παρέχονται με το εργαλείο.** Η απώλεια του ελέγχου μπορεί να προκαλέσει προσωπικό τραυματισμό.
3. **Να κρατάτε το ηλεκτρικό εργαλείο από τις μονωμένες λαβές όταν εκτελείτε εργασίες κατά τις οποίες το κοπτικό εξάρτημα μπορεί να έρθει σε επαφή με μη ορατά καλώδια ή με το δικό του καλώδιο τροφοδοσίας.** Αν το κοπτικό εξάρτημα έρθει σε επαφή με κάποιο ηλεκτροφόρο καλώδιο, τα εκτεθειμένα μεταλλικά μέρη του ηλεκτρικού εργαλείου θα γίνουν κι αυτά ηλεκτροφόρα και μπορεί να προκληθεί ηλεκτροπληξία στο χειριστή.
4. **Να φοράτε ένα σκληρό καπέλο (κράνος ασφαλείας), γυαλιά ασφαλείας ή/και προσωπίδα.** Τα συνηθισμένα γυαλιά ηλίου ΔΕΝ αποτελούν γυαλιά ασφαλείας. Συνιστάται επίσης ένθερμα να φοράτε προσωπίδα κατά της σκόνης και γάντια με παχιά επένδυση.
5. **Πριν θέσετε το εργαλείο σε λειτουργία, βεβαιωθείτε ότι η μύτη είναι ασφαλισμένη στη θέση της.**
6. **Σε κανονικές συνθήκες λειτουργίας, το εργαλείο είναι σχεδιασμένο να παράγει κραδασμούς. Οι**

βίδες μπορούν εύκολα να ξεβιδωθούν και να προκληθεί καταστροφή του εργαλείου ή ατύχημα. Πριν θέσετε το εργαλείο σε λειτουργία, ελέγξτε αν οι βίδες είναι σφιγμένες.

- Όταν έχει κρύο καιρό ή όταν δεν έχετε χρησιμοποιήσει το εργαλείο για μεγάλη χρονική περίοδο, αφήστε το εργαλείο να λειτουργήσει για λίγη ώρα χωρίς φόρτο. Με αυτό το τρόπο θα κυκλοφορήσει η λίπανση. Η μύτη ούσι σωστό ζέσταμα, θα υπάρχει δυσκολία στη λειτουργία σφυρηλάτησης.
- Να βεβαιώνετε πάντοτε ότι στέκεστε σταθερά. Όταν χρησιμοποιείτε το εργαλείο σε υψηλές τοποθεσίες, να βεβαιώνετε ότι δεν βρίσκεται κανένας από κάτω.
- Να κρατάτε το εργαλείο γερά και με τα δύο χέρια.
- Μην πλησιάζετε τα χέρια σας σε κινούμενα μέρη.
- Μην αφήνετε το εργαλείο σε λειτουργία. Το εργαλείο πρέπει να βρίσκεται σε λειτουργία μόνο όταν το κρατάτε.
- Όταν το εργαλείο βρίσκεται σε λειτουργία, μην το στρέψετε προς την κατεύθυνση κανενός ατόμου που βρίσκεται στην περιοχή. Η μύτη μπορεί να εκτοξευτεί και να προκληθεί σοβαρός τραυματισμός σε άλλο άτομο.
- Μην αγγίζετε τη μύτη ή τα μέρη που βρίσκονται κοντά στη μύτη αμέσως μετά τη λειτουργία του εργαλείου. Μπορεί να είναι εξαιρετικά θερμά και να προκληθεί έγκαυμα στο δέρμα σας.
- Μερικά υλικά περιέχουν χημικά που μπορεί να είναι τοξικά. Προσέχετε ώστε να αποφεύγετε την εισπνοή σκόνης και την επαφή με το δέρμα. Ακολουθείτε τις οδηγίες ασφάλειας υλικού που παρέχονται από τον προμηθευτή.

ΦΥΛΑΞΤΕ ΑΥΤΕΣ ΤΙΣ ΟΔΗΓΙΕΣ.

ΠΡΟΕΙΔΟΠΟΙΗΣΗ:

ΜΗΝ επιτρέψετε στη βολικότητα ή στην εξοικειωσή σας με το προϊόν (που αποκτήθηκε από επανειλημμένη χρήση) να αντικαταστήσει την αυστηρή προσήλωση στους κανόνες ασφάλειας του εν λόγω προϊόντος. Η ΛΑΝΘΑΣΜΕΝΗ ΧΡΗΣΗ ή η μη τήρηση των κανόνων ασφαλείας που διατυπώνονται στο παρόν εγχειρίδιο οδηγιών μπορεί να προκαλέσει σοβαρό τραυματισμό.

ΠΕΡΙΓΡΑΦΗ ΛΕΙΤΟΥΡΓΙΑΣ

ΠΡΟΣΟΧΗ:

- Να βεβαιώνετε πάντοτε ότι το εργαλείο είναι σβηστό και αποσυνδεδεμένο από το ηλεκτρικό ρεύμα πριν ρυθμίζετε ή ελέγχετε κάποια λειτουργία του.

Δράση διακόπτη (Εικ. 1)

ΠΡΟΣΟΧΗ:

- Πριν συνδέετε το εργαλείο, πάντοτε να ελέγχετε ότι η σκανδάλη-διακόπτης ενεργοποιείται κανονικά και επιστρέφει στη θέση «OFF» όταν την αφήνετε.

Για να ξεκινήσετε το εργαλείο, απλά πιέστε τη σκανδάλη-διακόπτη. Για να σταματήσετε, αφήστε τη σκανδάλη-διακόπτη.

Αναμμα της λάμπας

Για το μοντέλο HR3541FC (Εικ. 2)

ΠΡΟΣΟΧΗ:

- Μην κοιτάτε κατευθείαν μέσα στο φως ή στην πηγή φωτός.

Πιέστε τη σκανδάλη-διακόπτη για να ανάψετε τη λάμπα. Η λάμπα εξακολουθεί να είναι αναμμένη όσο πιέζετε τη σκανδάλη-διακόπτη.

Η λάμπα σβήνει 10 - 20 δευτερόλεπτα αφού αφήσετε τη σκανδάλη.

ΣΗΜΕΙΩΣΗ:

- Χρησιμοποιήστε ένα στεγνό πανί για να σκουπίσετε τη σκόνη από το φακό της λάμπας. Προσέχετε να μη γρατσουνίσετε το φακό της λυχνίας, διότι έτσι ενδέχεται να μειωθεί η ένταση του φωτισμού.

Αλλαγή ταχύτητας (Εικ. 3)

Μπορείτε να ρυθμίσετε τις περιστροφές και τις κρούσεις ανά λεπτό, αν περιστρέψετε απλά τον επιλογέα ρύθμισης. Ο επιλογέας είναι σημειωμένος από 1 (χαμηλότερη ταχύτητα) έως 5 (τελική ταχύτητα).

Για τη σχέση μεταξύ των αριθμημένων ρυθμίσεων στον επιλογέα ρύθμισης και των περιστροφών/κρούσεων ανά λεπτό, ανατρέξτε στον παρακάτω πίνακα.


Αριθμηση στον επιλογέα ρύθμισης	Περαιστροφές ανά λεπτό	Κρούσεις το λεπτό
5	630	3.300
4	590	3.100
3	480	2.500
2	370	1.900
1	315	1.650

ΠΡΟΣΟΧΗ:

- Αν το εργαλείο λειτουργεί συνεχόμενα σε χαμηλές ταχύτητες για μεγάλο χρονικό διάστημα, το μοτέρ θα υπερφορτωθεί και θα προκαλέσει δυσλειτουργία του εργαλείου.
- Ο επιλογέας ρύθμισης ταχύτητας έχει τη δυνατότητα να περιστρέφεται έως το 5 και ξανά στο 1. Μην τον εξαναγκάζετε πέρα από το 5 ή το 1, αλλιώς μπορεί να μη λειτουργεί πλέον ο ρύθμιση ταχύτητας.


Επιλογή του τρόπου δράσης

Περαιστροφή με κρούση (Εικ. 4)

Για τρυπάνισμα σε τσιμεντό, τοιχοποιία, κτλ., πιέστε το κουμπί ασφαλίσης και περιστρέψτε το μοχλό αλλαγής ώστε ο δείκτης να δείχνει στο σύμβολο .


Χρησιμοποιήστε μύτη με άκρο βολφραμίου-καρβιδίου.

Περαιστροφή μόνο (Εικ. 5)

Για τρυπάνισμα σε υλικά από έξυλο ή μέταλλο, κτλ., πιέστε το κουμπί ασφαλίσης και περιστρέψτε το μοχλό αλλαγής ώστε ο δείκτης να δείχνει στο σύμβολο .

Χρησιμοποιήστε μύτη για περιστεροφικό τρυπάνισμα ή μύτη για έξυλο.

Κρούση μόνο (Εικ. 6)

Για καλέμισμα, ξύσιμο ή ξήλωμα, πιέστε το κουμπί ασφαλίσης και περιστρέψτε το μοχλό αλλαγής ώστε ο δείκτης να δείχνει στο σύμβολο . Χρησιμοποιήστε βελόνι, ψυχρό καλέμι, καλέμι σφυροκοπήματος, κτλ.

ΠΡΟΣΟΧΗ:

- Μην περιστρέφετε το μοχλό αλλαγής όταν το εργαλείο λειτουργεί με φορτίο. Θα προκληθεί βλάβη στο εργαλείο.
- Για να αποφεύγετε την ταχεία φθορά του μηχανισμού αλλαγής τρόπου λειτουργίας, βεβαιωθείτε ότι ο μοχλός αλλαγής βρίσκεται πάντα σε μία από τις τρεις θέσεις του τρόπου δράσης.

Περιοριστής ροπή

Ο περιοριστής ροπή θα ενεργοποιηθεί όταν επιτευχθεί ένα ορισμένο επίπεδο ροπή. Το μοτέρ θα αποδεσμευτεί από τον άξονα εξόδου. Όταν συμβεί αυτό, η μύτη θα σταματήσει να περιστρέφεται.

ΠΡΟΣΟΧΗ:

- Μόλις ενεργοποιηθεί ο περιοριστής ροπή, απενεργοποιήστε αμέσως το εργαλείο. Έτσι, θα προληφθεί η πρόωρη φθορά του εργαλείου.

Ενδεικτική λυχνία (Εικ. 7)

Όταν συνδέετε το εργαλείο, ανάβει η πράσινη ενδεικτική λυχνία ενεργής θέσης (ON). Αν δεν ανάβει η ενδεικτική λυχνία, μπορεί να είναι ελαττωματικό το ηλεκτρικό καλώδιο ή ο ελεγκτής. Η ενδεικτική λυχνία είναι αναμμένη, αλλά το εργαλείο δεν ξεκινάει, ακόμα και αν είναι αναμμένο, μπορεί να έχουν φθαρεί τα καρβουνάκια, ή να είναι ελαττωματικός ο ελεγκτής, το μοτέρ ή ο διακόπτης ON/OFF.

Η κόκκινη ενδεικτική λυχνία συντήρησης ανάβει όταν τα καρβουνάκια έχουν φθαρεί σχεδόν τελείως για να δηλώσει πως το εργαλείο χρειάζεται συντήρηση. Μετά από περίπου 8 ώρες χρήσης, το μοτέρ θα σβήσει αυτόματα.

ΣΥΝΑΡΜΟΛΟΓΗΣΗ

ΠΡΟΣΟΧΗ:

- Να βεβαιώνετε πάντοτε ότι το εργαλείο είναι σβηστό και αποσυνδεδεμένο από το ηλεκτρικό ρεύμα πριν εκτελέσετε οποιαδήποτε εργασία σε αυτό.

Τοποθέτηση πλευρικής λαβής (βοηθητική λαβή) (Εικ. 8)

ΠΡΟΣΟΧΗ:

- Να χρησιμοποιείτε πάντα την πλαϊνή λαβή για να εξασφαλίσετε την ασφάλεια κατά το τρυπάνισμα σετσιμέντο, τοιχοποιία, κτλ.
- Η πλευρική λαβή αιωρείται γύρω από κάθε πλευρά ώστε να επιτρέπει τον εύκολο χειρισμό του εργαλείου σε οποιαδήποτε θέση. Χαλαρώστε την πλευρική λαβή στρέφοντάς την αριστερόστροφα, περιστρέψτε τη στην επιθυμητή θέση και κατόπιν σφίξτε τη στρέφοντάς τη δεξιόστροφα.

Τοποθέτηση ή αφαίρεση της μύτης (Εικ. 9)

Καθαρίστε το κολάρο μύτης και τοποθετήστε γράσο για μύτες πριν τοποθετήσετε τη μύτη.

Τοποθετήστε τη μύτη στο εργαλείο. Περιστρέψτε τη μύτη και στρώστε την προς τα μέσα έως ότου ασφαλίσει.

(Εικ. 10)

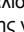
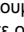
Εάν δεν μπορείτε να στρώσετε τη μύτη προς τα μέσα, αφαιρέστε την. Τραβήξτε το κάλυμμα κεφαλής προς τα

κάτω μερικές φορές. Κατόπιν, τοποθετήστε ξανά τη μύτη. Περιστρέψτε τη μύτη και στρώστε την προς τα μέσα έως ότου ασφαλίσει.

Μετά την τοποθέτηση, να βεβαιώνετε πάντα ότι η μύτη είναι ασφαλισμένη στη θέση της με το να προσπαθήσετε να την τραβήξετε προς τα έξω.

Για να αφαιρέσετε τη μύτη, τραβήξτε προς τα κάτω το κάλυμμα της κεφαλής έως το τέρμα και τραβήξτε τη μύτη προς τα έξω. (Εικ. 11)

Κλίση μύτης (κατά το καλέμισμα, ξύσιμο ή ξήλωμα) (Εικ. 12)

Μπορείτε να ασφαλίσετε τη μύτη σε 24 διαφορετικές γωνίες. Για να αλλάξετε την κλίση της μύτης, πιέστε το κουμπί ασφάλισης και περιστρέψτε το μοχλό αλλαγής ώστε ο δείκτης να δείχνει στο σύμβολο . Περιστρέψτε τη μύτη στην επιθυμητή κλίση. Πατήστε το κουμπί ασφάλισης και περιστρέψτε το μοχλό αλλαγής ώστε ο δείκτης να δείχνει στο σύμβολο . Κατόπιν, περιστρέψτε λίγο τη μύτη για να βεβαιωθείτε ότι είναι καλά ασφαλισμένη στη θέση της.

Μετρητής βάθους (Εικ. 13)

Ο μετρητής βάθους είναι χρήσιμος για το τρυπάνισμα οπών με ομοιόμορφο βάθος. Χαλαρώστε τη βίδα σύσφιξης και ρυθμίστε το ρυθμιστή βάθους στο επιθυμητό βάθος. Μετά τη ρύθμιση, σφίξτε καλά τη βίδα σύσφιξης.

ΣΗΜΕΙΩΣΗ:


- Ο μετρητής βάθους δεν μπορεί να χρησιμοποιηθεί στη θέση όπου ο μετρητής βάθους χτυπάει επάνω στο περιβλήμα γραναζιού/στο περιβλήμα του μοτέρ.

ΛΕΙΤΟΥΡΓΙΑ

ΠΡΟΣΟΧΗ:

- Να χρησιμοποιείτε πάντα την πλαϊνή λαβή (βοηθητική λαβή) και, κατά τη λειτουργία, να κρατάτε το εργαλείο καλά και από την πλαϊνή λαβή και από τη λαβή του διακόπτη.

Ειδική λειτουργία τρυπάνισματος με κρούση (Εικ. 14)

Ρυθμίστε το μοχλό αλλαγής στο σύμβολο . Τοποθετήστε τη μύτη στη θέση που επιθυμείτε να τρυπάνετε και κατόπιν τραβήξτε τη σκανδάλη-διακόπτη. Μην ασκείτε δύναμη στο εργαλείο. Θα έχετε καλύτερα αποτελέσματα με ελαφριά πίεση. Να διατηρείτε το εργαλείο στη θέση του και να αποφεύγετε την ολίσθησή του από την οπή.

Μην ασκείτε περισσότερη πίεση σε περίπτωση που η οπή φράξει με θραύσματα ή σωματίδια. Αντ' αυτού, σταματήστε αργά τη λειτουργία του εργαλείου και κατόπιν βγάλτε τη μύτη μερικώς από την οπή. Αν επαναλάβετε τη διαδικασία αυτή μερικές φορές, η οπή θα καθαρίσει και θα μπορείτε να συνεχίσετε κανονικά το τρυπάνισμα.

ΠΡΟΣΟΧΗ:

- Όταν η μύτη αρχίσει να σπάει το σιμέντο ή η μύτη χτυπήσει ενισχυτικές ράβδους που βρίσκονται μέσα στο σιμέντο, το εργαλείο μπορεί να αντιδράσει με επικίνδυνο τρόπο. Διατηρήστε καλή ισορροπία και ασφαλή στήριξη όσο κρατάτε καλά το εργαλείο και με τα δύο χέρια για να αποτρέψετε επικίνδυνες αντιδράσεις.

Φυσητήρι (προαιρετικό αξεσουάρ)

(Εικ. 15)

Μετά από το τρυπάνισμα της οπής, χρησιμοποιήστε το φυσητήρι για να καθαρίσετε τη σκόνη από την οπή.

Καλέμισμα/Ξύσιμο/Ξήλωμα (Εικ. 16)

Ρυθμίστε το μοχλό αλλαγής στο σύμβολο F .

Να κρατάτε το εργαλείο γερά και με τα δύο χέρια. Θέστε το εργαλείο σε λειτουργία και ασκήστε ελαφριά πίεση σε αυτό για να μην αναπηδά ανεξέλεγκτα. Δεν θα αυξηθεί η αποδοτικότητα του εργαλείου αν το πιέσετε πολύ δυνατά.

Τρυπάνισμα σε ξύλο ή μέταλλο (Εικ. 17)

Χρησιμοποιήστε την προαιρετική διάταξη της κεφαλής δράπανου η οποία λειτουργεί χωρίς κλειδί. Όταν την τοποθετείτε, ανατρέξτε στην παράγραφο «Τοποθέτηση ή αφαίρεση της μύτης» που περιγράφεται στην προηγούμενη σελίδα.

Ρυθμίστε το μοχλό αλλαγής έτσι ώστε ο δείκτης να δείχνει στο σύμβολο B .

Κρατήστε το δακτύλιο και στρέψτε το περιβλήμα αριστερόστροφα για να ανοίξετε τις σιαγόνες κεφαλής. Τοποθετήστε τη μύτη στην κεφαλή έως το τέρμα.

Κρατήστε καλά το δακτύλιο και στρέψτε το περίβλημα δεξιόστροφα για να σφίξετε την κεφαλή. Για να βγάλετε τη μύτη, κρατήστε το δακτύλιο και στρέψτε το περίβλημα αριστερόστροφα.

ΠΡΟΣΟΧΗ:

- Μη χρησιμοποιείτε ποτέ «περιστροφή με κρούση» όταν είναι τοποθετημένη στο εργαλείο η κεφαλή δραπάνου ταχείας αλλαγής. Μπορεί να προκληθεί βλάβη στην κεφαλή δραπάνου ταχείας αλλαγής.
- Δεν θα επιταχυνθεί το τρυπάνισμα αν πιέσετε υπερβολικά το εργαλείο. Στην πραγματικότητα, αυτή η υπερβολική πίεση θα προκαλέσει απλώς βλάβη στο άκρο της μύτης, θα μειώσει την απόδοση του εργαλείου και θα συντομεύσει την ωφέλιμη διάρκεια ζωής του.
- Ασκείται τεράστια δύναμη στρέψης στο εργαλείο/μύτη τη στιγμή που διαπερνάει η οπή. Κρατήστε το εργαλείο σταθερά και προσέχετε όταν η μύτη ξεκινήσει να διαπερνάει το τεμάχιο εργασίας.
- Να στερεώνετε πάντοτε τα μικρά τεμάχια εργασίας σε μέγνη ή παρόμοια συσκευή συγκράτησης.

Τρυπάνισμα με πυρηνοληπτική μύτη διαμαντιού

Όταν πραγματοποιείτε εργασίες τρυπανίσματος με πυρηνοληπτική μύτη διαμαντιού, να ρυθμίζετε πάντα το μοχλό αλλαγής δράσης στη θέση B για να χρησιμοποιείτε τη δράση «περιστροφή μόνο».

ΠΡΟΣΟΧΗ:

- Αν πραγματοποιείτε εργασίες τρυπανίσματος με πυρηνοληπτική μύτη διαμαντιού χρησιμοποιώντας τη δράση «περιστροφή με κρούση», μπορεί να καταστραφεί η πυρηνοληπτική μύτη διαμαντιού.

ΣΥΝΤΗΡΗΣΗ

ΠΡΟΣΟΧΗ:

- Να βεβαιώνετε πάντοτε ότι το εργαλείο είναι σβηστό και αποσυνδεδεμένο από το ηλεκτρικό ρεύμα πριν

εκτελέσετε οποιαδήποτε εργασία ελέγχου ή συντήρησης σε αυτό.

- Μην χρησιμοποιήσετε βενζίνη, βενζόλη, διαλυτικό, αλκοόλη ή κάτι παρόμοιο. Μπορεί να προκληθεί αποχρωματισμός, παραμόρφωση ή ρωγμές.

Λίπανση

ΠΡΟΣΟΧΗ:

- Αυτές οι εργασίες συντήρησης θα πρέπει να εκτελούνται μόνο σε εξουσιοδοτημένο ή εργοστασιακό κέντρο εξυπηρέτησης της Makita.

Το εργαλείο αυτό δεν απαιτεί ωριαία ή καθημερινή λίπανση επειδή διαθέτει σύστημα λίπανσης με γράσο.

Εντούτοις, συνιστάται η περιοδική αντικατάσταση του γράσου για επιμήκυνση του χρόνου ζωής.

Θέστε το εργαλείο σε λειτουργία για μερικά λεπτά για να ζεσταθεί. Σβήστε το εργαλείο και αποσυνδέστε το από το ηλεκτρικό ρεύμα.

Χαλαρώστε τις τέσσερις βίδες και αφαιρέστε τη λαβή. Σημειώστε ότι οι πάνω βίδες είναι διαφορετικές από τις άλλες βίδες. (Εικ. 18)

Αποσυνδέστε το συνδετήρα τραβώντας τις. (Εικ. 19)

Χαλαρώστε τις δυο βίδες στο κάλυμμα του κατακίου του στροφάλου και αφαιρέστε το κάλυμμα του κατακίου του στροφάλου. (Εικ. 20)

Ευθυγραμμίστε το μοχλό αλλαγής με το σύμβολο Δ , ξεσφίξτε τις πέντε βίδες και αφαιρέστε το καπάκι του στροφάλου. (Εικ. 21 και 22)

ΠΡΟΣΟΧΗ:

- Πάντοτε να αφαιρείτε το καπάκι του στροφάλου αφότου ευθυγραμμίσετε το μοχλό αλλαγής με το σύμβολο Δ . Ποτέ να μην το αφαιρέσετε με τη βία χωρίς ο μοχλός αλλαγής να είναι ευθυγραμμισμένος με το σύμβολο Δ . Αν δεν το κάνετε αυτό δεν μπορεί να γίνει η επανασυναρμολόγηση. (Εικ. 23)

Ακουμπήστε το εργαλείο σε πάγκο με τη μύτη στραμμένη προς τα πάνω. Έτσι, θα συλλεχτεί το παλιό γράσο στο εσωτερικό του περιβλήματος στροφάλου.

Σκουπίστε το παλιό γράσο που βρίσκεται στο εσωτερικό και συμπληρώστε με καινούργιο γράσο (30 γραμμάρια). Να χρησιμοποιείτε μόνο γνήσιο γράσο για σκαπτικά της Makita (προαιρετικό αξεσουάρ). Αν πληρώσετε με μεγαλύτερη ποσότητα γράσου από αυτήν που καθορίζεται (περίπου 30 γραμμάρια), μπορεί να προκληθεί ελαττωματική δράση κρούσης ή καταστροφή του εργαλείου. Γεμίστε μόνο με την ποσότητα γράσου που καθορίζεται.

ΠΡΟΣΟΧΗ:

- Προσέξτε να μην προκαλέσετε ζημιά στο συνδετήρα ή στα καλώδια τροφοδοσίας ειδικά όταν σκουπίζετε το παλιό γράσο.

Για να επανασυναρμολογήσετε το εργαλείο, ακολουθήστε τη διαδικασία αποσυναρμολόγησης με αντίστροφη σειρά.

ΠΡΟΣΟΧΗ:

- Μη σφίγγετε υπερβολικά το καπάκι στροφάλου. Είναι κατασκευασμένο από ρητίνη και μπορεί να σπάσει. (Εικ. 24)

Συνδέστε το συνδετήρα σταθερά και μετά τοποθετήστε ξανά τη λαβή.

ΠΡΟΣΟΧΗ:

- Προσέξτε να μην προκαλέσετε ζημιά στο συνδετήρα ή στα καλώδια τροφοδοσίας ειδικά όταν τοποθετείτε τη λαβή.

Για να διατηρείται η ΑΣΦΑΛΕΙΑ και η ΑΞΙΟΠΙΣΤΙΑ του προϊόντος, οι εργασίες επισκευής, ο έλεγχος και η αλλαγή των καρβουνακίων, καθώς και οποιαδήποτε άλλη εργασία συντήρησης και ρύθμισης, θα πρέπει να εκτελούνται σε εξουσιοδοτημένα κέντρα εξυπηρέτησης της Makita, και πάντοτε με τη χρήση ανταλλακτικών της Makita.

ΑΞΕΣΟΥΑΡ

ΠΡΟΣΟΧΗ:

- Συνιστάται η χρήση των παρακάτω αξεσουάρ και εξαρτημάτων με το εργαλείο της Makita μόνο όπως καθορίζεται στο παρόν εγχειρίδιο. Αν χρησιμοποιήσετε άλλα αξεσουάρ ή εξαρτήματα μπορεί να παρουσιαστεί κίνδυνος για πρόκληση ατομικού τραυματισμού. Να χρησιμοποιείτε τα αξεσουάρ και τα εξαρτήματα μόνο για το σκοπό για τον οποίο προορίζονται.

Αν χρειάζεστε κάποια βοήθεια ή περισσότερες πληροφορίες σχετικά με τα αξεσουάρ αυτά, απευθυνθείτε στο πλησιέστερο κέντρο εξυπηρέτησης της Makita.

- Μύτες με άκρο SDS-Max καρβιδίου
- Κύριο τρυπάνι
- Πυρηνοληπτική μύτη
- Ψυχρό καλέμι
- Πυρηνοληπτική μύτη διαμαντιού
- Γράσο για σκαπτικά
- Καλέμι σφυροκοπήματος
- Καλέμι για αυλάκισμα
- Διάταξη κεφαλής δράπανου χωρίς κλειδί
- Γράσο για μύτες
- Πλαϊνή λαβή
- Μετρητής βάθους
- Φουσητήρι
- Γυαλιά προστασίας
- Πλαστική θήκη μεταφοράς

Για το Μοντέλο HR3540C

Θόρυβος

ENG102-3

Το σύνθετο σταθμισμένο επίπεδο θορύβου που έχει καθοριστεί σύμφωνα με την EN60745:

Επίπεδο ηχητικής πίεσης (L_{pA}): 93 dB (A)

Επίπεδο ηχητικής ισχύος (L_{WA}): 104 dB (A)

Αβεβαιότητα (K): 3 dB (A)

Να φοράτε ωτοασπίδες.

Δόνηση

ENG215-2

Η συνολική τιμή δόνησης (διανυσματικό άθροισμα τριών αξόνων) που έχει καθοριστεί σύμφωνα με την EN60745:

Κατάσταση λειτουργίας: καλέμισμα

Εκπομπή δόνησης ($a_{h,CHeg}$): 12,5 m/s²

Αβεβαιότητα (K): 1,5 m/s²

ENG303-2

Κατάσταση λειτουργίας: κρουστική διάτρηση σε τσιμέντο

Εκπομπή δόνησης ($a_{h,HD}$): 18,0 m/s²

Αβεβαιότητα (K): 1,5 m/s²

ENG301-1

Κατάσταση λειτουργίας: διάτρηση σε μέταλλο

Εκπομπή δόνησης ($a_{h,D}$): 2,5 m/s²

Αβεβαιότητα (K): 1,5 m/s²

Για το Μοντέλο HR3541FC

Θόρυβος

ENG102-3

Το σύνθετο σταθμισμένο επίπεδο θορύβου που έχει καθοριστεί σύμφωνα με την EN60745:

Επίπεδο ηχητικής πίεσης (L_{pA}): 91 dB (A)

Επίπεδο ηχητικής ισχύος (L_{WA}): 102 dB (A)

Αβεβαιότητα (K): 3 dB (A)

Να φοράτε ωτοασπίδες.

Δόνηση

ENG215-2

Η συνολική τιμή δόνησης (διανυσματικό άθροισμα τριών αξόνων) που έχει καθοριστεί σύμφωνα με την EN60745:

Κατάσταση λειτουργίας: καλέμισμα

Εκπομπή δόνησης ($a_{h,CHeg}$): 9,0 m/s²

Αβεβαιότητα (K): 1,5 m/s²

ENG303-2

Κατάσταση λειτουργίας: κρουστική διάτρηση σε τσιμέντο

Εκπομπή δόνησης ($a_{h,HD}$): 11,0 m/s²

Αβεβαιότητα (K): 1,5 m/s²

ENG302-2

Κατάσταση λειτουργίας: διάτρηση σε μέταλλο

Εκπομπή δόνησης ($a_{h,D}$): 2,5 m/s² ή λιγότερο

Αβεβαιότητα (K): 1,5 m/s²

Για Ευρωπαϊκές χώρες μόνο

ENH101-13

ΕΚ – Δήλωση συμμόρφωσης

Η Εταιρία Makita ως υπεύθυνος κατασκευαστής, δηλώνει ότι το παρακάτω μηχάνημα ή μηχανήματα της Makita:

Όνομασία Μηχανήματος:

Πνευματικό-σκαπτικό δράπανο

Αρ. Μοντέλου/ Τύπος: HR3540C, HR3541FC

αποτελούν παραγωγή σε σειρά και

Συμμορφώνονται με τις ακόλουθες Ευρωπαϊκές

Οδηγίες:

98/37/EK έως την 28η Δεκεμβρίου 2009 και

επακόλουθα με την 2006/42/EK από την 29η

Δεκεμβρίου 2009

Και κατασκευάζονται σύμφωνα με τα παρακάτω πρότυπα ή τυποποιημένα έγγραφα:

EN60745

Ο εξουσιοδοτημένος μας αντιπρόσωπος στην Ευρώπη διατηρεί τα τεχνικά έγγραφα, ο οποίος είναι:

Makita International Europe Ltd.,

Michigan, Drive, Tongwell,

Milton Keynes, MK15 8JD, England

30η Ιανουαρίου 2009



Tomoyasu Kato

Διευθυντής

Makita Corporation

3-11-8, Sumiyoshi-cho,

Anjo, Aichi, JAPAN

Makita Corporation
Anjo, Aichi, Japan

884815B998