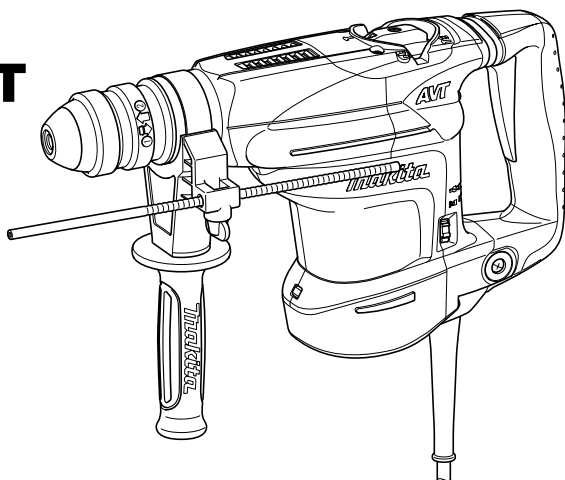
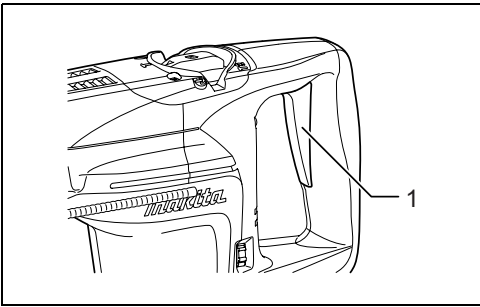




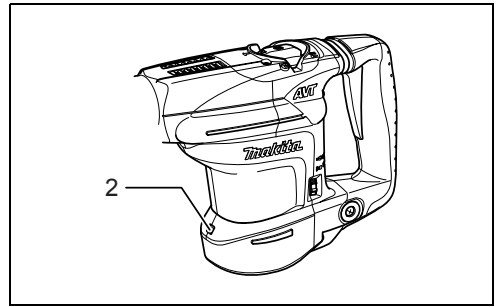
GB Rotary Hammer	Instruction manual
F Marteau rotatif	Manuel d'instructions
D Bohrhammer	Betriebsanleitung
I Martello rotativo	Istruzioni per l'uso
NL Boorhamer	Gebruiksaanwijzing
E Martillo rotativo	Manual de instrucciones
P Martelo perfurador	Manual de instruções
DK Borehammer	Brugsanvisning
GR Περιστροφικό δρέπανο	Οδηγίες χρήσης

HR3200C
HR3210C
HR3210FCT

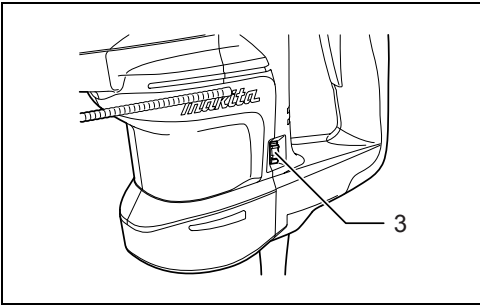




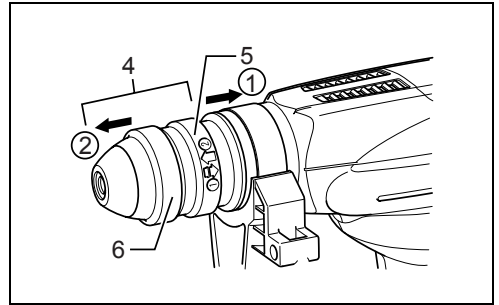
1



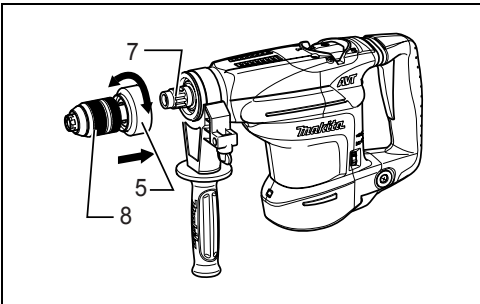
2



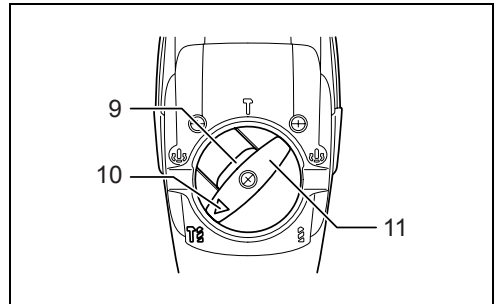
3



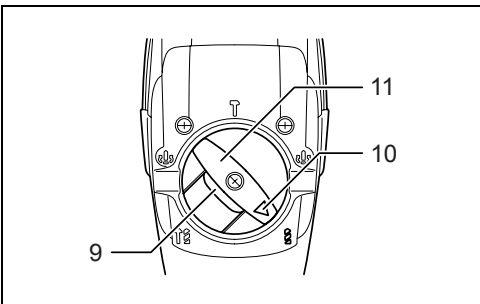
4



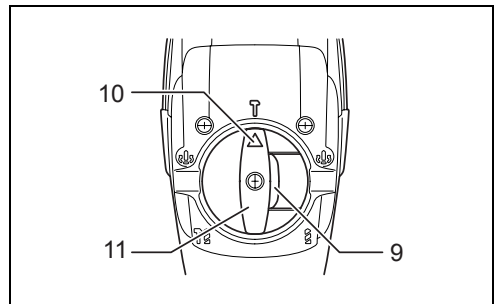
5



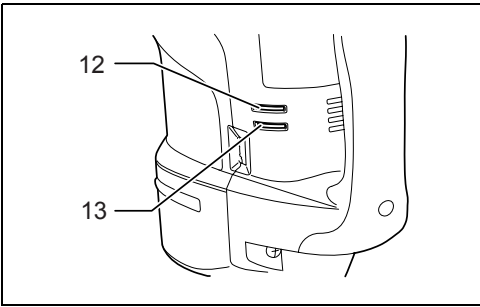
6



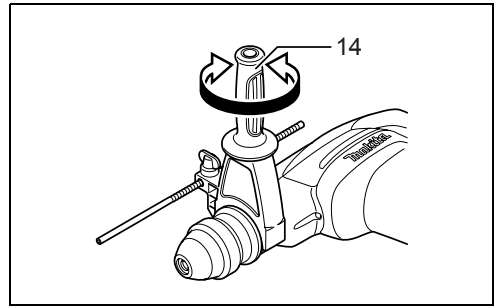
7



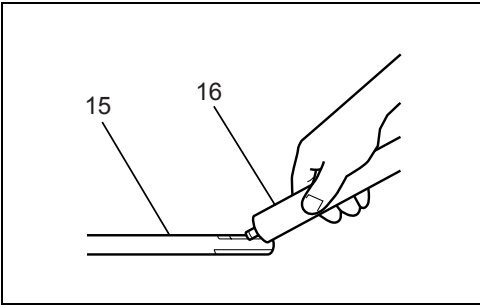
8



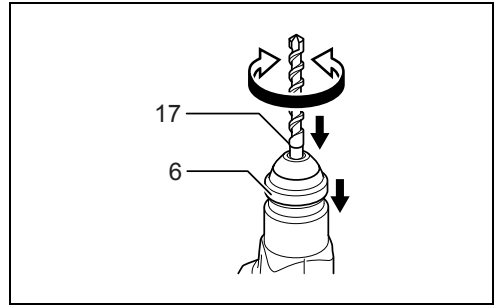
9



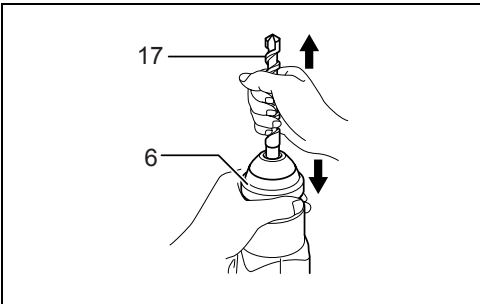
10



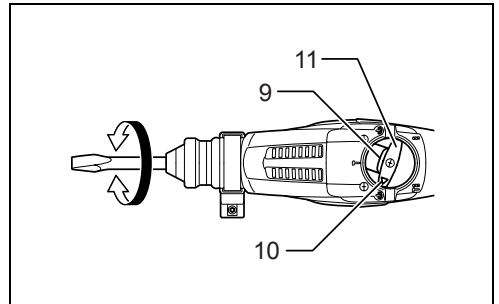
11



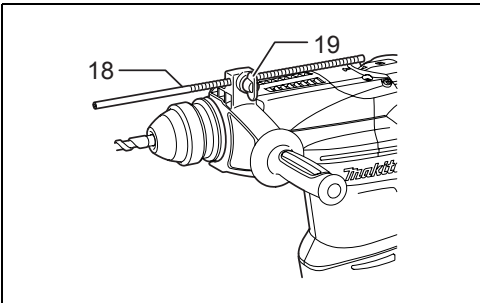
12



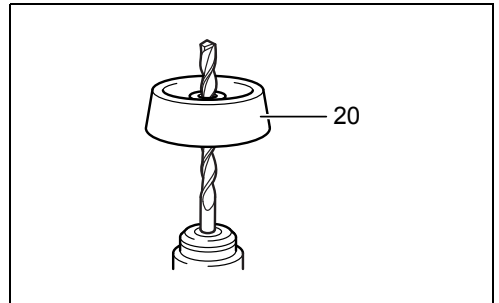
13



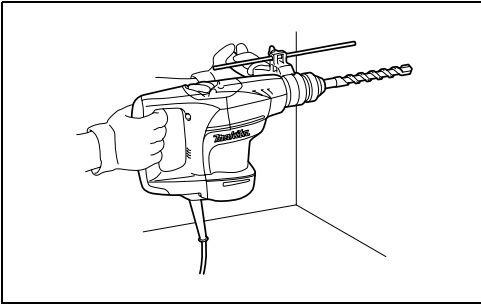
14



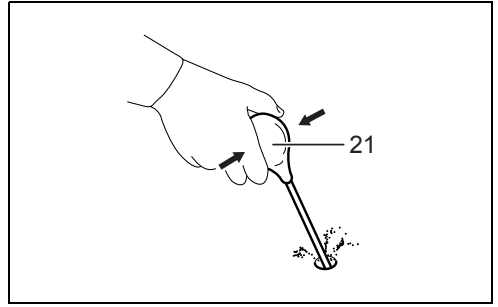
15



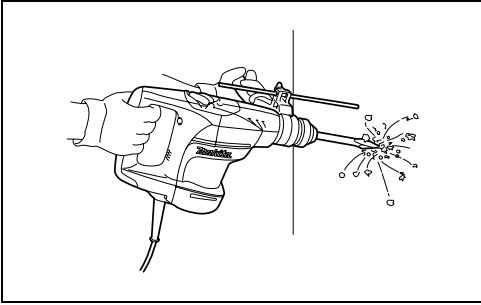
16



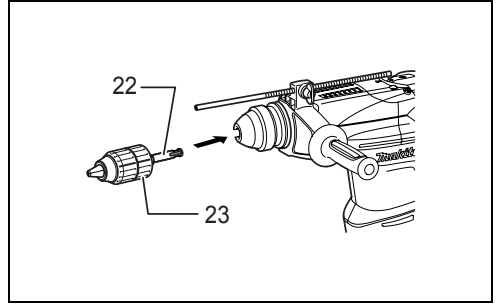
17



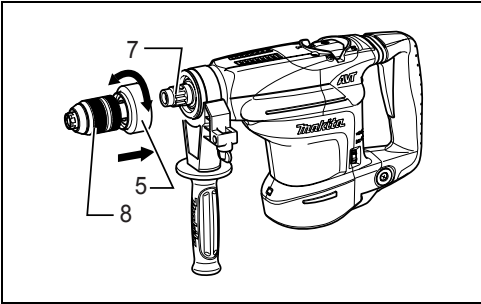
18



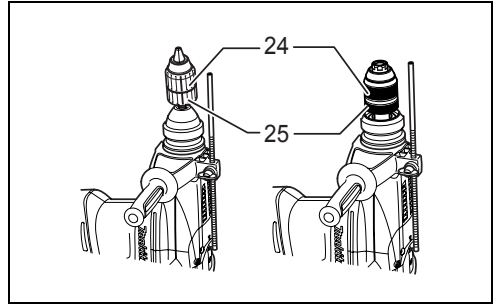
19



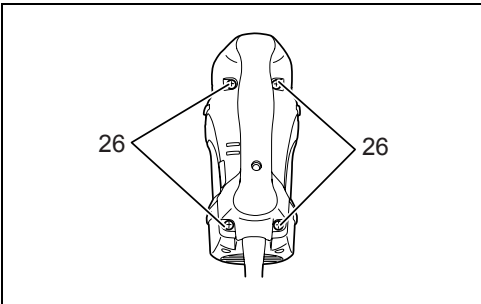
20



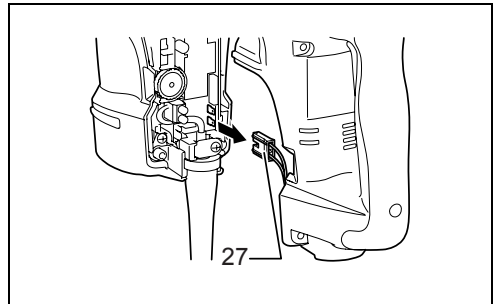
21



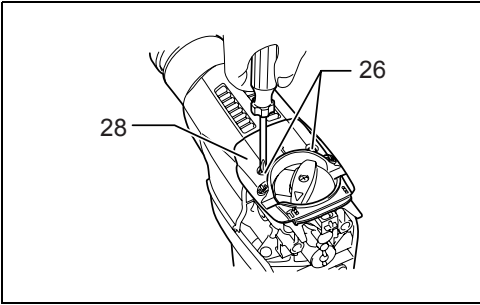
22



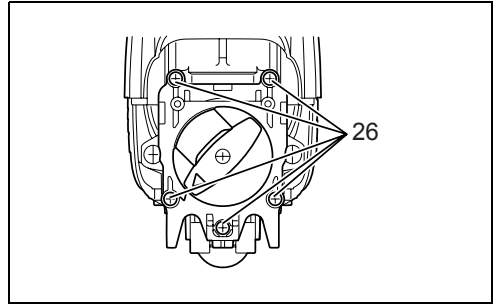
23



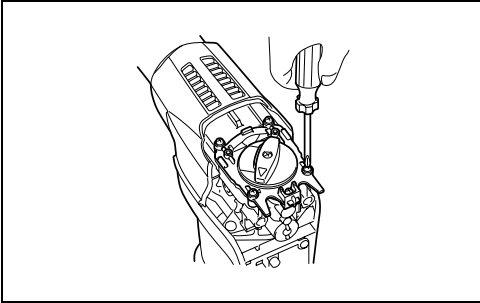
24



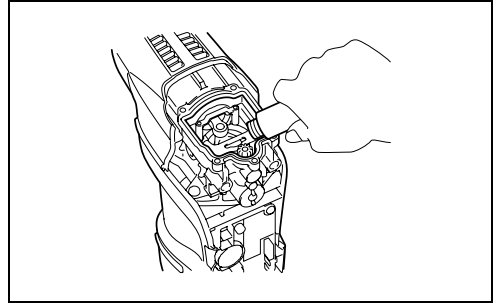
25



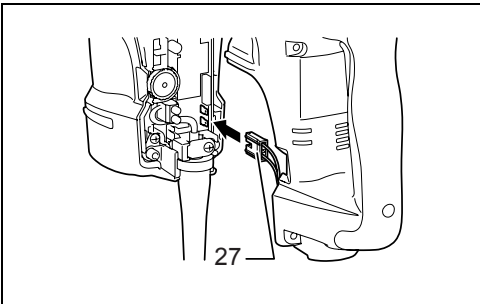
26



27



28



29

ENGLISH

Explanation of general view

- | | | |
|------------------------------------|-------------------------------------|-------------------------|
| 1. Switch trigger | 11. Change lever | 21. Blow-out bulb |
| 2. Lamp | 12. Power-ON indicator lamp (green) | 22. Chuck adapter |
| 3. Adjusting dial | 13. Service indicator lamp (red) | 23. Keyless drill chuck |
| 4. Quick change chuck for SDS-plus | 14. Side grip | 24. Sleeve |
| 5. Change cover | 15. Bit shank | 25. Ring |
| 6. Chuck cover | 16. Bit grease | 26. Screws |
| 7. Spindle | 17. Bit | 27. Connector |
| 8. Quick change drill chuck | 18. Depth gauge | 28. Crank cap cover |
| 9. Lock button | 19. Clamp screw | |
| 10. Pointer | 20. Dust cup | |

SPECIFICATIONS

Model		HR3200C	HR3210C	HR3210FCT
Capacities	Concrete	Tungsten-carbide tipped bit		
		Core bit		
	Steel			13 mm
	Wood			32 mm
No load speed (min ⁻¹)		315 - 630		
Blows per minute		1,650 - 3,300		
Overall length		398 mm		424 mm
Net weight		4.4 kg	4.8 kg	5.0 kg
Safety class		□/II		

- Due to our continuing programme of research and development, the specifications herein are subject to change without notice.
- Note: Specifications may differ from country to country.

Symbols

END201-4

The following show the symbols used for the equipment.

Be sure that you understand their meaning before use.



..... Read instruction manual.



..... DOUBLE INSULATION

Intended use

ENE044-1

The tool is intended for hammer drilling in brick, concrete and stone as well as for chiselling work.

Power supply

ENF002-1

The tool should be connected only to a power supply of the same voltage as indicated on the nameplate, and can only be operated on single-phase AC supply. They are double-insulated in accordance with European Standard and can, therefore, also be used from sockets without earth wire.

SPECIFIC SAFETY RULES

GEB007-2

DO NOT let comfort or familiarity with product (gained from repeated use) replace strict adherence to rotary hammer safety rules. If you use this tool unsafely or incorrectly, you can suffer serious personal injury.

1. **Wear ear protectors.** Exposure to noise can cause hearing loss.

2. **Use auxiliary handles supplied with the tool.** Loss of control can cause personal injury.
3. **Hold power tools by insulated gripping surfaces when performing an operation where the cutting tool may contact hidden wiring or its own cord.** Contact with a "live" wire will make exposed metal parts of the tool "live" and shock the operator.
4. **Wear a hard hat (safety helmet), safety glasses and/or face shield. Ordinary eye or sun glasses are NOT safety glasses. It is also highly recommended that you wear a dust mask and thickly padded gloves.**
5. **Be sure the bit is secured in place before operation.**
6. **Under normal operation, the tool is designed to produce vibration. The screws can come loose easily, causing a breakdown or accident. Check tightness of screws carefully before operation.**
7. **In cold weather or when the tool has not been used for a long time, let the tool warm up for a while by operating it under no load. This will loosen up the lubrication. Without proper warm-up, hammering operation is difficult.**
8. **Always be sure you have a firm footing. Be sure no one is below when using the tool in high locations.**
9. **Hold the tool firmly with both hands.**
10. **Keep hands away from moving parts.**

11. Do not leave the tool running. Operate the tool only when hand-held.
12. Do not point the tool at any one in the area when operating. The bit could fly out and injure someone seriously.
13. Do not touch the bit or parts close to the bit immediately after operation; they may be extremely hot and could burn your skin.
14. Some material contains chemicals which may be toxic. Take caution to prevent dust inhalation and skin contact. Follow material supplier safety data.

SAVE THESE INSTRUCTIONS.

WARNING:

MISUSE or failure to follow the safety rules stated in this instruction manual may cause serious personal injury.

FUNCTIONAL DESCRIPTION

CAUTION:

- Always be sure that the tool is switched off and unplugged before adjusting or checking function on the tool.

Switch action (Fig. 1)

CAUTION:

- Before plugging in the tool, always check to see that the switch trigger actuates properly and returns to the "OFF" position when released.

To start the tool, simply pull the switch trigger. Release the switch trigger to stop.

Lighting up the lamps

For Model HR3210FCT (Fig. 2)

CAUTION:

- Do not look in the light or see the source of light directly.

To turn on the lamp, pull the trigger. Release the trigger to turn it off.

NOTE:

- Use a dry cloth to wipe the dirt off the lens of lamp. Be careful not to scratch the lens of lamp, or it may lower the illumination.

Speed change (Fig. 3)

The revolutions and blows per minute can be adjusted just by turning the adjusting dial. The dial is marked 1 (lowest speed) to 5 (full speed).

Refer to the table below for the relationship between the number settings on the adjusting dial and the revolutions/blows per minute.

Number on adjusting dial	Revolutions per minute	Blows per minute
5	630	3,300
4	590	3,100
3	480	2,500
2	370	1,900
1	315	1,650

CAUTION:

- If the tool is operated continuously at low speeds for a long time, the motor will get overloaded, resulting in tool malfunction.
- The speed adjusting dial can be turned only as far as 5 and back to 1. Do not force it past 5 or 1, or the speed adjusting function may no longer work.

Changing the quick change chuck for SDS-plus

For Model HR3210FCT

The quick change chuck for SDS-plus can be easily exchanged for the quick change drill chuck.

Removing the quick change chuck for SDS-plus (Fig. 4)

CAUTION:

- Before removing the quick change chuck for SDS-plus always remove the bit.

Hold the change cover with the thumb and the middle finger and pull it in the direction arrow 1. With the change cover pulled in that direction, hold the chuck cover with the index finger. While holding the chuck cover so, pull out the quick change chuck for SDS-plus in the direction of arrow 2 at a stroke.


Attaching the quick change drill chuck (Fig. 5)

Grasp the change cover and place the quick change drill chuck on the spindle of the tool.


Make sure that the quick change drill chuck is secured by trying to pull it several times.

Selecting the action mode


Rotation with hammering (Fig. 6)

For drilling in concrete, masonry, etc., depress the lock button and rotate the change lever so that the pointer points to the  symbol. Use a tungsten-carbide tipped bit.

Rotation only (Fig. 7)

For drilling in wood, metal or plastic materials, depress the lock button and rotate the change lever so that the pointer points to the  symbol. Use a twist drill bit or wood bit.

Hammering only (Fig. 8)

For chipping, scaling or demolition operations, depress the lock button and rotate the change lever so that the  pointer points to the symbol. Use a bull point, cold chisel, scaling chisel, etc.

CAUTION:

- Do not rotate the change lever when the tool is running under load. The tool will be damaged.
- To avoid rapid wear on the mode change mechanism, be sure that the change lever is always positively located in one of the three action mode positions.

Torque limiter

The torque limiter will actuate when a certain torque level is reached. The motor will disengage from the output shaft. When this happens, the bit will stop turning.

CAUTION:

- As soon as the torque limiter actuates, switch off the tool immediately. This will help prevent premature wear of the tool.

Indicator lamp (Fig. 9)

The green power-ON indicator lamp lights up when the tool is plugged. If the indicator lamp does not light up, the mains cord or the controller may be defective. The indicator lamp is lit but the tool does not start even if the tool is switched on, the carbon brushes may be worn out, or the controller, the motor or the ON/OFF switch may be defective.

The red service indicator lamp lights up when the carbon brushes are nearly worn out to indicate that the tool needs servicing. After approx. 8 hours of use, the motor will automatically be shut off.

ASSEMBLY**CAUTION:**

- Always be sure that the tool is switched off and unplugged before carrying out any work on the tool.

Side grip (Fig. 10)**CAUTION:**

- Always use the side grip to ensure operating safety when drilling in concrete, masonry, etc.

The side grip swings around to either side, allowing easy handling of the tool in any position. Loosen the side grip by turning it counter clockwise, swing it to the desired position and then tighten it by turning clockwise.

Installing or removing the bit (Fig. 11)

Clean the bit shank and apply bit grease before installing the bit.


Insert the bit into the tool. Turn the bit and push it in until it engages. (Fig. 12)


If the bit cannot be pushed in, remove the bit. Pull the chuck cover down a couple of times. Then insert the bit again. Turn the bit and push it in until it engages.

After installing, always make sure that the bit is securely held in place by trying to pull it out.

To remove the bit, pull the chuck cover down all the way and pull the bit out. (Fig. 13)

Bit angle (when chipping, scaling or demolishing) (Fig. 14)

The bit can be secured at 24 different angles. To change the bit angle, depress the lock button and rotate the change lever so that the pointer points to the  symbol. Turn the bit to the desired angle.

Depress the lock button and rotate the change lever so that the pointer points to the  symbol. Then make sure that the bit is securely held in place by turning it slightly.

Depth gauge (Fig. 15)

The depth gauge is convenient for drilling holes of uniform depth. Loosen the clamp screw and adjust the depth gauge to the desired depth. After adjusting, tighten the clamp screw firmly.

NOTE:

- The depth gauge cannot be used at the position where the depth gauge strikes against the gear housing/motor housing.

Dust cup (Fig. 16)

Use the dust cup to prevent dust from falling over the tool and on yourself when performing overhead drilling operations. Attach the dust cup to the bit as shown in the figure. The size of bits which the dust cup can be attached to is as follows.

	Bit diameter
Dust cup 5	6 mm - 14.5 mm
Dust cup 9	12 mm - 16 mm

OPERATION**Hammer drilling operation (Fig. 17)**

Set the change lever to the  symbol.

Position the bit at the desired location for the hole, then pull the switch trigger. Do not force the tool. Light pressure gives best results. Keep the tool in position and prevent it from slipping away from the hole.

Do not apply more pressure when the hole becomes clogged with chips or particles. Instead, run the tool at an idle, then remove the bit partially from the hole. By repeating this several times, the hole will be cleaned out and normal drilling may be resumed.

CAUTION:

- When the bit begins to break through concrete or if the bit strikes reinforcing rods embedded in concrete, the tool may react dangerously. Maintain good balance and safe footing while holding the tool firmly with both hands to prevent dangerous reaction.

Blow-out bulb (optional accessory) (Fig. 18)

After drilling the hole, use the blow-out bulb to clean the dust out of the hole.

Chipping/Scaling/Demolition (Fig. 19)

Set the change lever to the  symbol.

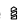
Hold the tool firmly with both hands. Turn the tool on and apply slight pressure on the tool so that the tool will not

bounce around, uncontrolled. Pressing very hard on the tool will not increase the efficiency.

Drilling in wood or metal (Fig. 20 - 22)


For Model HR3200C, HR3210C

Use the optional drill chuck assembly. When installing it, refer to "Installing or removing the bit" described on the previous page.

Set the change lever so that the pointer points to the  symbol.

For Model HR3210FCT

Use the quick change drill chuck as standard equipment. When installing it, refer to "changing the quick change chuck for SDS-plus" described on the previous page. Hold the ring and turn the sleeve counter clockwise to open the chuck jaws. Place the bit in the chuck as far as it will go. Hold the ring firmly and turn the sleeve clockwise to tighten the chuck. To remove the bit, hold the ring and turn the sleeve counter clockwise.


Set the change lever to the  symbol.

You can drill up to 13 mm diameter in metal and up to 32 mm diameter in wood.

CAUTION:

- Never use "rotation with hammering" when the quick change drill chuck is installed on the tool. The quick change drill chuck may be damaged.
- Pressing excessively on the tool will not speed up the drilling. In fact, this excessive pressure will only serve to damage the tip of your bit, decrease the tool performance and shorten the service life of the tool.
- There is a tremendous twisting force exerted on the tool/bit at the time of hole breakthrough. Hold the tool firmly and exert care when the bit begins to break through the workpiece.
- Always secure small workpieces in a vise or similar hold-down device.

Diamond core drilling

When performing diamond core drilling operations, always set the change lever to the  position to use "rotation only" action.

CAUTION:

- If performing diamond core drilling operations using "rotation with hammering" action, the diamond core bit may be damaged.

MAINTENANCE

CAUTION:

- Always be sure that the tool is switched off and unplugged before attempting to perform inspection or maintenance.

Lubrication

CAUTION:

- This servicing should be performed by Makita Authorized or Factory Service Centers only.


This tool requires no hourly or daily lubrication because it has a grease-packed lubrication system. Lubricate the tool every time the carbon brushes are replaced.

Run the tool for several minutes to warm it up. Switch off and unplug the tool. (Fig. 23)



Loosen the four screws and remove the handle. Note that the top screws are different from other screws. (Fig. 24)

Disconnect the connector by pulling them. (Fig. 25)

Loosen the two screws on crank cap cover and remove the crank cap cover. (Fig. 26)

Align the change lever with the  symbol, loosen the five screws and then remove the crank cap. (Fig. 27)

CAUTION:

- Always remove the crank cap only after aligning the change lever with the symbol . Never remove it forcibly without aligning the change lever with the  symbol. Failure to do so does not allow reassembling. (Fig. 28)

Rest the tool on the table with the bit end pointing upwards. This will allow the old grease to collect inside the crank housing.

Wipe out the old grease inside and replace with a fresh grease (30 g). Use only Makita genuine hammer grease (optional accessory). Filling with more than the specified amount of grease (approx. 30 g) can cause faulty hammering action or tool failure. Fill only with the specified amount of grease.

CAUTION:

- Be careful not to damage the connector or lead wires especially when wiping out the old grease.

To reassemble the tool, follow the disassembling procedure in reverse.

CAUTION:

- Do not tighten the crank cap excessively. It is made of resin and is subject to breakage. (Fig. 29)

Connect the connector firmly and then reinstall the handle.

CAUTION:

- Be careful not to damage the connector or lead wires especially when installing the handle.

To maintain product SAFETY and RELIABILITY, repairs, carbon brush inspection and replacement, any other maintenance or adjustment should be performed by Makita Authorized Service Centers, always using Makita replacement parts.

ACCESSORIES

CAUTION:

- These accessories or attachments are recommended for use with your Makita tool specified in this manual. The use of any other accessories or attachments might present a risk of injury to persons. Only use accessory or attachment for its stated purpose.

If you need any assistance for more details regarding these accessories, ask your local Makita Service Center.

- SDS-Plus Carbide-tipped bits
- Bull point
- Core bit
- Cold chisel
- Diamond core bit
- Hammer grease
- Scaling chisel

- Grooving chisel
- Drill chuck assembly
- Drill chuck S13
- Chuck adapter
- Chuck key S13
- Bit grease
- Side grip
- Depth gauge
- Blow-out bulb
- Dust cup
- Safety goggles
- Plastic carrying case

ENG302-1

Work mode: drilling into metal
Vibration emission ($a_{h,D}$): 2.5 m/s² or less

For Model HR3210FCT
For European countries only

Noise ENG102-1

The typical A-weighted noise level determined according to EN60745-2-6:

Sound pressure level (L_{pA}): 88 dB (A)
Sound power level (L_{WA}): 99 dB (A)
Uncertainty (K): 3 dB (A)

Wear ear protection

Vibration

The vibration total value (tri-axial vector sum) determined according to EN60745-2-6:

ENG215-1

Work mode: chiselling function
Vibration emission ($a_{h,CHeq}$): 8 m/s²
Uncertainty (K): 1.5 m/s²

ENG303-1

Work mode: hammer drilling into concrete, 16 mm diameter and 100 mm depth
Vibration emission ($a_{h,HD}$): 10 m/s²
Uncertainty (K): 1.5 m/s²

ENG302-1

Work mode: drilling into metal
Vibration emission ($a_{h,D}$): 2.5 m/s² or less

For Model HR3200C
For European countries only

Noise ENG102-1

The typical A-weighted noise level determined according to EN60745-2-6:

Sound pressure level (L_{pA}): 89 dB (A)
Sound power level (L_{WA}): 100 dB (A)
Uncertainty (K): 3 dB (A)

Wear ear protection

Vibration

The vibration total value (tri-axial vector sum) determined according to EN60745-2-6:

ENG215-1

Work mode: chiselling function
Vibration emission ($a_{h,CHeq}$): 12.5 m/s²
Uncertainty (K): 1.5 m/s²

ENG303-1

Work mode: hammer drilling into concrete, 16 mm diameter and 100 mm depth
Vibration emission ($a_{h,HD}$): 18 m/s²
Uncertainty (K): 1.5 m/s²

ENG302-1

Work mode: drilling into metal
Vibration emission ($a_{h,D}$): 2.5 m/s² or less

For Model HR3210C
For European countries only

Noise ENG102-1

The typical A-weighted noise level determined according to EN60745-2-6:

Sound pressure level (L_{pA}): 89 dB (A)
Sound power level (L_{WA}): 100 dB (A)
Uncertainty (K): 3 dB (A)

Wear ear protection

Vibration

The vibration total value (tri-axial vector sum) determined according to EN60745-2-6:

ENG215-1

Work mode: chiselling function
Vibration emission ($a_{h,CHeq}$): 7.5 m/s²
Uncertainty (K): 1.5 m/s²

ENG303-1

Work mode: hammer drilling into concrete, 16 mm diameter and 100 mm depth
Vibration emission ($a_{h,HD}$): 10 m/s²
Uncertainty (K): 1.5 m/s²

EC-DECLARATION OF CONFORMITY

Model; HR3200C, HR3210C, HR3210FCT ENH101-8

We declare under our sole responsibility that this product is in compliance with the following standards of standardized documents; EN60745, EN55014, EN61000 in accordance with Council Directives, 2004/108/EC, 98/37/EC.

CE 2007



Tomoyasu Kato
Director

Responsible Manufacturer:

Makita Corporation

3-11-8, Sumiyoshi-cho, Anjo, Aichi, JAPAN

Authorized Representative in Europe:

Makita International Europe Ltd.

Michigan Drive, Tongwell, Milton Keynes, Bucks MK15 8JD, ENGLAND

Descriptif

- | | | |
|--|-------------------------------------|-----------------------------------|
| 1. Gâchette | 10. Index | 20. Collecteur de poussières |
| 2. Lampe | 11. Levier de changement | 21. Poire soufflante |
| 3. Cadran de réglage | 12. Lampe témoin d'alimentation | 22. Adaptateur de mandrin |
| 4. Mandrin à remplacement rapide pour SDS-plus | ACTIVE (vert) | 23. Mandrin autoserrant |
| 5. Couvercle de remplacement | 13. Lampe témoin de service (rouge) | 24. Manchon |
| 6. Couvercle du mandrin | 14. Poignée latérale | 25. Bague |
| 7. Axe | 15. Arbre du foret | 26. Vis |
| 8. Mandrin de perçage à remplacement rapide | 16. Graisse à foret | 27. Connecteur |
| 9. Bouton de verrouillage | 17. Foret | 28. Cache du bouchon de manivelle |
| | 18. Jauge de profondeur | |
| | 19. Vis de serrage | |

SPÉCIFICATIONS

Modèle		HR3200C	HR3210C	HR3210FCT
Capacités	Béton	Foret à pointe de carbure de tungstène		
		Trépan carottier		
	Acier		13 mm	
	Bois		32 mm	
Vitesse à vide (min ⁻¹)		315 - 630		
Frappes par minute		1 650 - 3 300		
Longueur totale		398 mm		424 mm
Poids net		4,4 kg	4,8 kg	5,0 kg
Niveau de sécurité		☐/II		

- Étant donné l'évolution constante de notre programme de recherche et de développement, les spécifications contenues dans ce manuel sont sujettes à des modifications sans préavis.
- Remarque : Les spécifications peuvent varier d'un pays à l'autre.

Symboles

Les symboles utilisés pour l'outil sont indiqués ci-dessous. Assurez-vous d'avoir bien compris leur signification avant d'utiliser l'outil.



..... Reportez-vous au manuel d'instructions.



..... DOUBLE ISOLATION

Utilisations

L'outil est conçu pour le perçage avec impacts et le perçage dans la brique, le béton et la pierre, ainsi que pour les travaux de défoncement.

Alimentation

L'outil ne doit être raccordé qu'à une alimentation de la même tension que celle qui figure sur la plaque signalétique, et il ne peut fonctionner que sur un courant secteur monophasé. Réalisé avec une double isolation, il est conforme à la réglementation européenne et peut de ce fait être alimenté sans mise à la terre.

CONSIGNES DE SÉCURITÉ SPÉCIFIQUES

GEB007-2

NE vous laissez PAS tromper (au fil d'une utilisation répétée) par un sentiment d'aisance et de familiarité avec le produit, en négligeant le respect rigoureux des consignes de sécurité qui accompagnent la meule. En utilisant cet outil dans des conditions dangereuses ou incorrectes, vous vous exposez à un risque de blessure grave.

1. **Portez des protections auditives.** L'exposition au bruit peut entraîner une perte de l'ouïe.
2. **Utilisez les poignées auxiliaires de l'outil.** La perte de maîtrise comporte un risque de blessure.
3. **Saisissez les outils électriques par leurs surfaces de poigne isolées lorsque vous effectuez une opération au cours de laquelle l'outil tranchant peut entrer en contact avec des fils cachés ou avec son propre cordon d'alimentation.** Le contact avec un fil sous tension mettra les parties métalliques exposées de l'outil sous tension, causant ainsi un choc électrique chez l'utilisateur.
4. **Portez une coiffure résistante (un casque de sécurité), des lunettes de sécurité et/ou une visière. Les lunettes ordinaires et les lunettes de soleil ne sont PAS des lunettes de sécurité. Nous vous recommandons également de porter un masque anti-poussières et des gants très épais.**

5. **Assurez-vous que le foret est bien serré avant d'utiliser l'outil.**
6. **Même en conditions normales d'utilisation, l'outil produit des vibrations. Les vis peuvent ainsi se relâcher facilement, ce qui risque d'entraîner une rupture de pièce ou un accident.**
Avant l'utilisation, vérifiez avec soin que les vis sont bien serrées.
7. **À basse température ou lorsque l'outil est resté inutilisé pour une période prolongée, laissez-le réchauffer un instant en le faisant fonctionner à vide. Cela permettra au lubrifiant de réchauffer. Le martèlement sera difficile si l'outil n'est pas bien réchauffé.**
8. **Assurez-vous toujours d'une bonne position d'équilibre.**
Assurez-vous que personne ne se trouve dessous lorsque vous utilisez l'outil en position élevée.
9. **Tenez l'outil fermement à deux mains.**
10. **Gardez les mains éloignées des pièces en mouvement.**
11. **N'abandonnez pas l'outil alors qu'il tourne. Ne faites fonctionner l'outil qu'une fois que vous l'avez bien en main.**
12. **Pendant l'utilisation de l'outil, ne le pointez vers personne dans la zone de travail. Vous risqueriez de blesser gravement quelqu'un en cas d'éjection du foret.**
13. **Ne touchez ni le foret ni les pièces adjacentes immédiatement après l'utilisation de l'outil. Ils risquent d'être extrêmement chauds et de vous brûler gravement la peau.**
14. **Certains matériaux contiennent des produits chimiques qui peuvent être toxiques. Prenez les précautions nécessaires pour ne pas inhaler les poussières qu'ils dégagent et pour éviter tout contact avec la peau. Conformez-vous aux consignes de sécurité du fabricant du matériau.**

CONSERVEZ CES INSTRUCTIONS.

AVERTISSEMENT :

Une UTILISATION INCORRECTE de l'outil ou un non-respect des consignes de sécurité indiquées dans ce manuel d'instructions peuvent entraîner des blessures graves.

DESCRIPTION DU FONCTIONNEMENT

ATTENTION :

- Assurez-vous toujours que l'outil est éteint et débranché avant de l'ajuster ou de vérifier son fonctionnement.

Interrupteur (Fig. 1)

ATTENTION :

- Avant de brancher l'outil, vérifiez toujours que la gâchette fonctionne correctement et revient en position d'arrêt (« OFF ») lorsqu'elle est relâchée.

Pour mettre l'outil en marche, appuyez simplement sur la gâchette. Pour l'arrêter, relâchez la gâchette.

Allumage des lampes

Pour le modèle HR3210FCT (Fig. 2)

ATTENTION :

- Ne regardez pas directement la lumière ou la source de lumière.

Pour allumer la lampe, tirez sur la gâchette. Pour l'éteindre, relâchez la gâchette.

REMARQUE :

- Utilisez un chiffon sec pour essuyer les saletés qui recouvrent la lentille de la lampe.
Prenez garde de rayer la lentille de la lampe, sinon sa capacité d'éclairage sera affectée.

Changement de vitesse (Fig. 3)

Il est possible d'ajuster les révolutions et les frappes par minute en tournant simplement le cadran de réglage. Le cadran comporte les marquages 1 (vitesse la plus lente) à 5 (vitesse pleine).

Référez-vous au tableau ci-dessous pour connaître la relation entre les paramètres des numéros sur le cadran de réglage et les révolutions/frappes par minute.

Numéro sur le cadran de réglage	Révolutions par minute	Frappes par minute
5	630	3 300
4	590	3 100
3	480	2 500
2	370	1 900
1	315	1 650

ATTENTION :

- Si l'outil est continuellement opéré à des vitesses lentes pendant longtemps, le moteur sera surchargé, ce qui entraînera un dysfonctionnement de l'outil.
- Le cadran de réglage de la vitesse ne peut être tourné que jusqu'aux positions 5 et 1. Ne le forcez pas au-delà des positions 5 ou 1, sinon la fonction du réglage de la vitesse risque de ne plus fonctionner.

Remplacement du mandrin à remplacement rapide pour SDS-plus

Pour le modèle HR3210FCT

Le mandrin à remplacement rapide pour SDS-plus peut être aisément remplacé par le mandrin de perçage.

Dépôt du mandrin à remplacement rapide pour SDS-plus (Fig. 4)

ATTENTION :

- Avant de déposer le mandrin à remplacement rapide pour SDS-plus, retirez toujours le foret.

Tenez le couvercle de remplacement entre le pouce et le majeur et tirez-le dans le sens de la flèche 1. Avec le couvercle de remplacement tiré dans cette direction, tenez le couvercle du mandrin avec l'index. Tout en tenant ainsi le couvercle du mandrin, sortez le mandrin à remplacement rapide pour SDS-plus en le tirant dans le sens de la flèche 2 d'un coup sec.

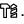
Fixation du mandrin de perçage à remplacement rapide (Fig. 5)

Saisissez le couvercle de remplacement et placez le mandrin de perçage à remplacement rapide sur l'axe de l'outil.

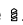
Tirez à plusieurs reprises sur le mandrin de perçage à remplacement rapide pour vous assurer qu'il demeure fermement en place.

Sélection du mode de fonctionnement

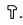
Rotation avec impacts (Fig. 6)

Pour percer dans le béton, la maçonnerie, etc., enfoncez le bouton de verrouillage et tournez le levier de changement de mode jusqu'au symbole . Utilisez un foret à pointe de carbure de tungstène.

Rotation seulement (Fig. 7)

Pour percer dans le bois, le métal ou des matériaux en plastique, enfoncez le bouton de verrouillage et tournez le levier de changement de mode jusqu'au symbole . Utilisez un foret hélicoïdal ou un foret à bois.

Impacts seulement (Fig. 8)

Pour des opérations de burinage, d'écaillage ou de démolition, enfoncez le bouton de verrouillage et tournez le levier de changement de mode jusqu'au symbole . Utilisez un pic, un ciseau à froid, un ciseau à écailler, etc.

ATTENTION :

- Ne tournez pas le levier de changement de mode quand l'outil fonctionne sous charge. Cela endommagera l'outil.
- Pour éviter l'usure rapide du mécanisme de changement de mode, assurez-vous que le levier de changement de mode est toujours placé avec exactitude sur l'une des trois positions de mode d'action.

Limiteur de couple

Le limiteur de couple s'active lorsqu'un niveau de couple donné est atteint. Le moteur débrayera alors de l'arbre de sortie. Lorsque cela se produit, le foret cesse de tourner.

ATTENTION :

- Éteignez l'outil immédiatement lorsque le limiteur de couple s'active. Cela aidera à prévenir l'usure trop rapide de l'outil.

Voyant (Fig. 9)

Le voyant vert de mise sous tension s'allume lorsque l'outil est branché. Si le voyant ne s'allume pas, il se peut que le cordon d'alimentation ou le contrôleur soit défectueux. Si le voyant est allumé, mais que l'outil ne démarre pas même si vous activez la gâchette, il se peut que les charbons soient usés ou que le contrôleur, le moteur ou l'interrupteur MARCHE/ARRÊT soit défectueux.

Le voyant rouge de service s'allume quand les charbons sont presque totalement usés pour indiquer que l'outil a besoin d'une opération d'entretien. Au bout d'environ 8 heures d'utilisation, le moteur s'éteindra automatiquement.

ASSEMBLAGE

ATTENTION :

- Avant d'effectuer toute intervention sur l'outil, assurez-vous toujours qu'il est éteint et débranché.

Poignée latérale (Fig. 10)

ATTENTION :

- Utilisez toujours la poignée latérale pour assurer une opération sécurisée lorsque vous percez du béton, maçonnerie, etc.

La poignée latérale peut pivoter dans un sens comme dans l'autre, permettant ainsi de manipuler l'outil avec aisance dans n'importe quelle position. Desserrez la poignée latérale en la faisant tourner dans le sens inverse des aiguilles d'une montre, faites-la pivoter jusqu'à la position désirée, puis resserrez-la en tournant dans le sens des aiguilles d'une montre.

Installation et retrait du foret (Fig. 11)

Nettoyez l'arbre du foret et appliquez de la graisse à foret avant d'installer le foret.

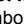
Insérez le foret dans l'outil. Tournez le foret et enfoncez-le jusqu'à ce qu'il s'engage. (Fig. 12)

S'il n'est pas possible d'enfoncer le foret, retirez-le. Tirez le couvercle du mandrin vers le bas à quelques reprises. Réinsérez ensuite le foret. Tournez le foret et enfoncez-le jusqu'à ce qu'il s'engage.

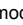
Après l'installation, tirez toujours sur le foret pour vous assurer qu'il demeure fermement en place.

Pour retirer le foret, tirez le couvercle du mandrin complètement vers le bas puis tirez sur le foret. (Fig. 13)

Angle du foret (lors du burinage, de l'écaillage ou de la démolition) (Fig. 14)

Vous pouvez fixer le foret sur 24 angles différents. Pour changer l'angle du foret, enfoncez le bouton de verrouillage et tournez le levier de changement de mode jusqu'au symbole .

Tournez le foret jusqu'à l'angle désiré.

Enfoncez le bouton de verrouillage et tournez le levier de changement de mode jusqu'au symbole . Assurez-vous ensuite que le foret est solidement maintenu en place en le tournant légèrement.

Jauge de profondeur (Fig. 15)

La tige de profondeur est pratique pour percer des trous de même profondeur. Desserrez la vis de serrage et ajustez la tige de profondeur à la profondeur souhaitée. Après le réglage, serrez fermement la vis de serrage.

REMARQUE :

- Il n'est pas possible d'utiliser la jauge de profondeur sur la position où elle frappe contre le carter d'engrenages/logement du moteur.

Collecteur de poussières (Fig. 16)


Utilisez le collecteur de poussières pour éviter que les poussières ne tombent de l'outil et sur vous lors des travaux de perçage au-dessus de la tête. Fixez le collecteur de poussières au foret comme indiqué sur la

figure. Les tailles de foret qui permettent de fixer le collecteur de poussières sont les suivantes.

	Diamètre du foret
Collecteur de poussières 5	6 mm à 14,5 mm
Collecteur de poussières 9	12 mm à 16 mm

UTILISATION

Perçage avec impacts (Fig. 17)

Réglez le levier de changement de mode sur le symbole .

Placez le foret au point où vous désirez percer le trou, puis appuyez sur la gâchette. Ne forcez pas l'outil. Vous obtiendrez de meilleurs résultats avec une légère pression. Gardez l'outil dans cette position et évitez qu'il ne glisse à l'extérieur du trou.

N'appliquez pas plus de pression lorsque le trou se bouche de copeaux ou particules. Faites plutôt tourner l'outil au ralenti, puis retirez partiellement le foret du trou. Vous pourrez poursuivre le perçage de façon normale après avoir répété quelques fois cette opération.


ATTENTION :

- Quand le foret commence à percer le béton ou s'il frappe des fers à béton incorporés dans le béton, l'outil peut réagir dangereusement. Maintenez un bon équilibre et un appui sûr lorsque vous tenez fermement l'outil à deux mains pour éviter une réaction dangereuse.

Poire soufflante (accessoire en option) (Fig. 18)

Une fois le trou percé, utilisez la poire soufflante pour retirer la poussière du trou.

Burinage/Écaillage/Démolition (Fig. 19)


Réglez le levier de changement de mode sur le symbole .

Tenez l'outil fermement à deux mains. Mettez le contact et appliquez une légère pression sur l'outil de façon à en garder la maîtrise et éviter qu'il ne saute d'un côté et de l'autre. L'application d'une très grande pression sur l'outil n'augmentera pas l'efficacité de l'opération.

Perçage dans le bois ou le métal (Fig. 20 à 22)

Pour le modèle HR3200C, HR3210C

Utilisez l'ensemble mandrin de perçage en option. Pour l'installer, reportez-vous à « Installation ou retrait du foret », page précédente.

Réglez le levier de changement de mode sur le symbole .


Pour le modèle HR3210FACT

Utilisez le mandrin de perçage à remplacement rapide en tant qu'outil standard.

Pour l'installer, reportez-vous à « Remplacement du mandrin à remplacement rapide pour SDS-plus », page précédente.

Tenez la bague et tournez le manchon dans le sens inverse des aiguilles d'une montre pour ouvrir les

mâchoires du mandrin. Insérez le foret à fond dans le mandrin. Tenez la bague fermement et tournez le manchon vers la droite pour serrer le mandrin. Pour retirer le foret, tenez la bague et tournez le manchon dans le sens inverse des aiguilles d'une montre.

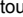
Réglez le levier de changement de mode sur le symbole .

Vous pouvez percer selon un diamètre maximal de 13 mm dans le métal et de 32 mm dans le bois.

ATTENTION :

- N'utilisez jamais le mode « rotation avec impacts » lorsque le mandrin de perçage à remplacement rapide est installé sur l'outil. Le mandrin de perçage à remplacement rapide pourrait être endommagé.
- Une pression excessive sur l'outil n'accélère pas le perçage. En fait, une pression excessive endommagera le bout du foret, réduira l'efficacité de l'outil et raccourcira sa durée de vie.
- Une force énorme s'exerce sur l'outil et le foret lorsque ce dernier sort par la face opposée de la pièce. Tenez l'outil fermement et faites bien attention lorsque le foret se met à sortir par la face opposée de la pièce.
- Immobilisez toujours les petites pièces à travailler dans un étau ou un dispositif de fixation similaire.

Perçage avec un trépan diamanté

Lors du perçage avec un trépan diamanté, positionnez toujours le levier de réglage sur  la fonction « rotation uniquement ».

ATTENTION :

- En cas d'utilisation de la fonction « rotation avec impacts » pendant le perçage avec un trépan diamanté, ce dernier risque d'être endommagé.

MAINTENANCE

ATTENTION :

- Assurez-vous toujours que l'outil est éteint et débranché avant d'effectuer tout travail d'inspection ou de maintenance.

Lubrification

ATTENTION :

- Seuls des centres de service agréés par Makita ou usine sont habilités à effectuer les réparations.

Grâce à son système de lubrification à la graisse, il n'est pas nécessaire de graisser cet outil après quelques heures d'utilisation ou chaque jour. Lubrifiez l'outil à chaque fois que les charbons sont remplacés. Faites tourner l'outil pendant quelques minutes pour le réchauffer. Mettez l'outil hors tension et débranchez-le. (Fig. 23)

Desserrez les quatre vis et retirez le manche. Notez que les vis supérieures sont différentes des autres vis. (Fig. 24)

Débranchez le connecteur en les tirant. (Fig. 25) Desserrez les deux vis sur le couvercle du bouchon de manivelle et retirez ce dernier. (Fig. 26)

Alignez le levier de changement de mode sur le symbole Δ , desserrez les cinq vis, puis retirez le bouchon de manivelle. (Fig. 27)

ATTENTION :

- Retirez toujours le bouchon de manivelle après avoir aligné le levier de changement de mode sur le symbole Δ uniquement. Ne forcez jamais pour le retirer sans aligner le levier de changement de mode sur le symbole Δ . Dans le cas contraire, le remontage est impossible. (Fig. 28)

Posez l'outil sur la table avec le bout du foret pointé vers le haut. Ceci permettra à la graisse usée de se déposer à l'intérieur du carter de manivelle.

Essuyez la graisse usée à l'intérieur, puis remplacez-la par de la graisse fraîche (30 g). Utilisez uniquement la graisse à marteau Makita authentique (accessoire en option). Si vous versez davantage de graisse que la quantité spécifiée (environ 30 g), le mouvement de martelage risque d'être faussé ou l'outil risque de ne pas bien fonctionner. Ne versez que la quantité de graisse spécifiée.

ATTENTION :

- Faites attention de ne pas endommager le connecteur ou les fils de sortie, surtout lorsque vous essuyez la graisse usée.

Pour remonter l'outil, suivez la procédure de démontage en sens inverse.

ATTENTION :

- Ne serrez pas excessivement le bouchon de manivelle. Il est en résine et risque de casser facilement. (Fig. 29)

Connectez fermement le connecteur et réinstallez le manche.

ATTENTION :

- Faites attention de ne pas endommager le connecteur ou les fils de sortie, surtout lorsque vous installez le manche.

Pour assurer la SÉCURITÉ et la FIABILITÉ du produit, toute réparation, inspection des charbons et tout remplacement, toute autre maintenance ou réglage, doivent être effectués par un Centre de service agréé Makita, toujours avec des pièces de rechange Makita.

ACCESSOIRES

ATTENTION :

- Ces accessoires ou pièces complémentaires sont recommandés pour l'utilisation avec l'outil Makita spécifié dans ce manuel. L'utilisation de tout autre accessoire ou pièce complémentaire comporte un risque de blessures. Utilisez uniquement l'accessoire ou la pièce complémentaire dans le but spécifié.

Pour obtenir plus de détails sur ces accessoires, contactez un Centre de service après-vente local Makita.

- Forets à pointe de carbure SDS-Plus
- Pic
- Trépan carottier
- Ciseau à froid
- Trépan diamanté
- Graisse à marteau
- Ciseau à écailler

- Burin à rainures
- Ensemble mandrin
- Mandrin S13
- Adaptateur de mandrin
- Clé de mandrin S13
- Graisse à foret
- Poignée latérale
- Jauge de profondeur
- Poire soufflante
- Collecteur de poussières
- Lunettes de sécurité
- Étui en plastique

Pour le modèle HR3200C

Pour les pays européens uniquement

Bruit

ENG102-1

Les niveaux de bruit pondéré A typiques ont été mesurés selon la norme EN60745-2-6 :

Niveau de pression sonore (L_{pA}) : 89 dB (A)

Niveau de puissance sonore (L_{WA}) : 100 dB (A)

Incertitude (K) : 3 dB (A)

Portez des protections auditives.

Vibration

La valeur totale de vibration (somme du vecteur triaxial) déterminée selon EN60745-2-6 :

ENG215-1

Mode de fonctionnement : fonction de défoncement

Émission de vibrations ($a_{h,CHeq}$) : 12,5 m/s²

Incertitude (K) : 1,5 m/s²

ENG303-1

Mode de fonctionnement : perçage avec impacts dans le béton, 16 mm de diamètre et 100 mm de profondeur

Emission de vibrations ($a_{h,HD}$) : 18 m/s²

Incertitude (K) : 1,5 m/s²

ENG302-1

Mode de fonctionnement : perçage du métal

Emission de vibrations ($a_{h,D}$) : 2,5 m/s² ou moins

Pour le modèle HR3210C

Pour les pays européens uniquement

Bruit

ENG102-1

Les niveaux de bruit pondéré A typiques ont été mesurés selon la norme EN60745-2-6 :

Niveau de pression sonore (L_{pA}) : 89 dB (A)

Niveau de puissance sonore (L_{WA}) : 100 dB (A)

Incertitude (K) : 3 dB (A)

Portez des protections auditives.

Vibration

La valeur totale de vibration (somme du vecteur triaxial) déterminée selon EN60745-2-6 :

ENG215-1

Mode de fonctionnement : fonction de défoncement

Émission de vibrations ($a_{h,CHeq}$) : 7,5 m/s²

Incertitude (K) : 1,5 m/s²

ENG303-1

Mode de fonctionnement : perçage avec impacts dans le béton, 16 mm de diamètre et 100 mm de profondeur

Emission de vibrations ($a_{h,HD}$) : 10 m/s²

Incertitude (K) : 1,5 m/s²

ENG302-1

Mode de fonctionnement : perçage du métal
Emission de vibrations ($a_{h,D}$) : 2,5 m/s² ou moins

Pour le modèle HR3210FCT

Pour les pays européens uniquement

Bruit ENG102-1

Les niveaux de bruit pondéré A typiques ont été mesurés selon la norme EN60745-2-6 :

Niveau de pression sonore (L_{pA}) : 88 dB (A)
Niveau de puissance sonore (L_{WA}) : 99 dB (A)
Incertitude (K) : 3 dB (A)

Portez des protections auditives.

Vibration

La valeur totale de vibration (somme du vecteur triaxial) déterminée selon EN60745-2-6 :

ENG215-1

Mode de fonctionnement : fonction de défoncement
Émission de vibrations ($a_{h,CHeq}$) : 8 m/s²
Incertitude (K) : 1,5 m/s²

ENG303-1

Mode de fonctionnement : perçage avec percussion dans le béton, avec un diamètre de 16 mm et une profondeur de 100 mm.
Emission de vibrations ($a_{h,HD}$) : 10 m/s²
Incertitude (K) : 1,5 m/s²

ENG302-1

Mode de fonctionnement : perçage du métal
Emission de vibrations ($a_{h,D}$) : 2,5 m/s² ou moins

DECLARATION DE CONFORMITE CE

Modèle ; HR3200C, HR3210C, HR3210FCT ENH101-8

Nous déclarons, sous notre entière responsabilité, que ce produit répond aux normes suivantes de documents normalisés :

EN60745, EN55014, EN61000 conformément aux Directives du Conseil, 2004/108/EC, 98/37/EC.

CE 2007



Tomoyasu Kato
Directeur

Fabricant responsable :

Makita Corporation

3-11-8, Sumiyoshi-cho, Anjo, Aichi, JAPON

Représentant agréé en Europe :

Makita International Europe Ltd.

Michigan Drive, Tongwell, Milton Keynes, Bucks MK15 8JD, ANGLETERRE

DEUTSCH

Erklärung der Gesamtdarstellung

- | | | |
|--------------------------------------|--|-------------------------------|
| 1. Ein/Aus-Schalter | 10. Zeiger | 19. Klemmschraube |
| 2. Lampe | 11. Umschalthebel | 20. Staubschutzkappe |
| 3. Einstellrad | 12. Anzeigenleuchte für Stromversorgung (grün) | 21. Ausblasvorrichtung |
| 4. Schnellwechselfutter für SDS-Plus | 13. Service-Anzeigenleuchte (rot) | 22. Bohrfutteradapter |
| 5. Wechselhülse | 14. Seitenzusatzgriff | 23. Schlüsselloses Bohrfutter |
| 6. Spannfutterverkleidung | 15. Aufnahmeschaft | 24. Kranz |
| 7. Spindel | 16. Bohrmeißelfett | 25. Ring |
| 8. Schnellwechselbohrfutter | 17. Bohrmeißel | 26. Schrauben |
| 9. Arretiertaste | 18. Tiefenanschlag | 27. Steckverbinder |
| | | 28. Abdeckung der Kurbelkappe |

TECHNISCHE DATEN

Modell		HR3200C	HR3210C	HR3210FCT
Leistungen	Beton	Einsatz mit einer Wolframkarbidspitze		
		Bohrkrone		
	Stahl		13 mm	
	Holz		32 mm	
Leerlaufdrehzahl (min ⁻¹)		315 - 630		
Schläge pro Minute		1.650 - 3.300		
Gesamtlänge		398 mm		424 mm
Nettogewicht		4,4 kg	4,8 kg	5,0 kg
Sicherheitsklasse		II/III		

- Aufgrund unserer weiterführenden Forschungen und Entwicklungen sind Änderungen an den hier angegebenen Technischen Daten ohne Vorankündigung vorbehalten.
- Hinweis: Die Angaben können sich je nach Land unterscheiden.

Symbole

END201-4

Im Folgenden sind die Symbole dargestellt, die im Zusammenhang mit dem Werkzeug verwendet werden. Es ist wichtig, dass Sie deren Bedeutung vor der Verwendung des Werkzeugs kennen.



.....Lesen Sie die vorliegende Betriebsanleitung.



.....DOPPELT SCHUTZISOLIERT

Verwendungszweck

ENE044-1

Das Werkzeug ist für Schlagbohren in Ziegel, Beton und Stein sowie für Meißelarbeiten vorgesehen.

Stromversorgung

ENF002-1

Das Werkzeug darf nur an eine Stromversorgung mit der auf dem Typenschild angegebenen Spannung und einphasigem Wechselstrom angeschlossen werden. Aufgrund der Doppelisolierung nach europäischem Standard kann das Werkzeug auch an Steckdosen ohne Erdungsleiter betrieben werden.

BESONDERE SICHERHEITSGESETZE

GEB007-2

Lassen Sie sich NIE durch Bequemlichkeit oder (aus fortwährendem Gebrauch gewonnener) Vertrautheit mit dem Gerät dazu verleiten, die Sicherheitsregeln für den Bohrhämmer zu missachten. Wenn Sie dieses Werkzeug fahrlässig oder nicht ordnungsgemäß verwenden, kann es zu schweren Personenschäden kommen.

1. **Tragen Sie Gehörschutz.** Lärm ausgesetzt zu sein, kann zu Hörverlust führen.
2. **Verwenden Sie die mit dem Werkzeug gelieferten Zusatzgriffe.** Kontrollverlust kann zu Personenschäden führen.
3. **Halten Sie das Elektrowerkzeug an den isolierten Griffflächen, wenn Sie unter Bedingungen arbeiten, bei denen das Schneidwerkzeug verborgene Verkabelung oder das eigene Kabel berühren kann.** Der Kontakt mit einem Strom führenden Kabel leitet diesen an die metallenen Teile des Werkzeugs weiter und verursacht einen Stromschlag beim Bediener.
4. **Tragen Sie einen Sicherheitshelm, Sicherheitsbrille und/oder Gesichtsschutz. Eine gewöhnliche Brille oder Sonnenbrille ist KEINE Sicherheitsbrille. Auch das Tragen dick gefütterter Handschuhe und einer Staubmaske wird empfohlen.**

5. Überprüfen Sie vor der Inbetriebnahme, ob der Einsatz fest sitzt.
6. Unter normalen Betriebsbedingungen erzeugt das Werkzeug Vibrationen. Hierdurch können sich Schrauben lösen, was zu Aus- und Unfällen führen kann.
Überprüfen Sie vor der Arbeit sorgfältig den Sitz der Schrauben.
7. Bei kaltem Wetter oder wenn das Werkzeug längere Zeit nicht benutzt wurde, lassen Sie das Gerät eine Zeit lang ohne Last warm laufen. Hierdurch wird die Schmierung gelöst. Ohne ordentliches Aufwärmen ist der Betrieb des Hammers schwierig.
8. Achten Sie jederzeit auf einen festen Stand. Achten Sie darauf, dass sich niemand unter Ihnen befindet, wenn Sie das Werkzeug an erhöhten Orten verwenden.
9. Halten Sie das Werkzeug mit beiden Händen fest.
10. Halten Sie Ihre Hände von den beweglichen Teilen fern.
11. Lassen Sie das Werkzeug nicht laufen. Das Werkzeug darf nur dann in Betrieb sein, wenn es festgehalten wird.
12. Zeigen Sie mit dem Werkzeug während des Betriebs nicht auf Personen in Ihrer Umgebung. Der Einsatz könnte sich lösen und zu schweren Verletzungen führen.
13. Berühren Sie kurz nach dem Betrieb den Einsatz oder ihm nahe liegende Teile nicht. Diese können extrem heiß sein und zu Verbrennungen führen.
14. Einige Materialien enthalten Chemikalien, die giftig sein können. Vermeiden Sie das Einatmen von Staub und den Kontakt mit der Haut. Befolgen Sie die Sicherheitshinweise des Materialherstellers.

BEWAHREN SIE DIESE ANWEISUNGEN SORGFÄLTIG AUF.

WARNUNG:
MISSBRAUCH oder Missachtung der in diesem Handbuch enthaltenen Sicherheitshinweise können zu schweren Personenschäden führen.

FUNKTIONSBESCHREIBUNG

ACHTUNG:

- Schalten Sie das Werkzeug stets aus und ziehen Sie den Stecker, bevor Sie Einstellungen oder eine Funktionsprüfung des Werkzeugs vornehmen.

Bedienung des Schalters (Abb. 1)

ACHTUNG:

- Achten Sie vor dem Einstecken des Werkzeug-Netzsteckers darauf, dass sich der Ein/Aus-Schalter korrekt bedienen lässt und beim Loslassen in die Position „OFF“ (AUS) zurückkehrt.

Betätigen Sie zum Starten des Werkzeugs einfach den Ein/Aus-Schalter. Lassen Sie zum Ausschalten des Werkzeugs den Ein/Aus-Schalter los.

Einschalten der Lampen

Für Modell HR3210FCT (Abb. 2)

ACHTUNG:

- Schauen Sie nicht direkt in das Licht oder in die Lichtquelle.

Ziehen Sie zum Einschalten der Lampe den Auslöser. Lassen Sie den Auslöser los, um sie auszuschalten.

HINWEIS:

- Wischen Sie Schmutz auf der Lampenlinse mit einem trockenen Tuch ab.
Achten Sie darauf, die Lampenlinse nicht zu zerkratzen, da dies die Beleuchtungsstärke mindern kann.

Änderung der Drehzahl (Abb. 3)

Die Umdrehungen und Schläge pro Minute können einfach durch Drehen am Einstellrad geändert werden. Das Einstellrad ist mit 1 (langsamste Geschwindigkeit) bis 5 (volle Geschwindigkeit) beschriftet.

In der folgenden Tabelle ist die Beziehung zwischen der Zahleneinstellung am Einstellrad und den Umdrehungen/Schlägen pro Minute angegeben.

Zahl am Einstellrad	Umdrehungen pro Minute	Schläge pro Minute
5	630	3.300
4	590	3.100
3	480	2.500
2	370	1.900
1	315	1.650

ACHTUNG:

- Wenn das Werkzeug längere Zeit dauerhaft bei niedriger Drehzahl betrieben wird, wird der Motor überlastet, und es treten Fehlfunktionen beim Werkzeug auf.
- Das Drehzahl-Stellrad lässt sich nur bis 5 und zurück auf 1 drehen. Wird es gewaltsam über 5 oder 1 hinaus gedreht, lässt sich die Drehzahl möglicherweise nicht mehr einstellen.

Wechseln des Schnellwechselfutters für SDS-Plus

Für Modell HR3210FCT

Das Schnellwechselfutter für SDS-Plus kann auf einfache Weise gegen das Schnellwechselbohrfutter ausgetauscht werden.

Entfernen des Schnellwechselfutters für SDS-Plus (Abb. 4)

ACHTUNG:

- Entfernen Sie stets den Einsatz, bevor Sie das Schnellwechselfutter für SDS-Plus abmontieren.
Halten Sie die Wechselabdeckung mit Daumen und Mittelfinger, und ziehen Sie diese in Richtung Pfeil 1. Halten Sie mit in dieser Richtung gezogenen Wechselabdeckung die Futterverkleidung mit dem Zeigefinger. Ziehen Sie, während Sie die


Futterverkleidung so halten, das Schnellwechselfutter für SDS-Plus mit einem Ruck in Richtung von Pfeil 2.

Anbringen des Schnellwechselbohrfutters (Abb. 5)

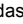
Greifen Sie die Wechselabdeckung und stecken Sie das Schnellwechselbohrfutter auf die Werkzeugspindel. Vergewissern Sie sich, dass das Schnellwechselbohrfutter fest sitzt, indem Sie mehrmals versuchen, es herauszuziehen.

Auswählen der Betriebsart

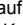
Schlagbohren (Abb. 6)

Drücken Sie für Bohrarbeiten in Beton, Mauerwerk usw. die Arretiertaste nach unten, und drehen Sie den Zeiger des Umschalthebels auf das Symbol . Verwenden Sie einen Bohrmeißel mit einer Wolframkarbidspitze.

Drehbohren (Abb. 7)

Drücken Sie für Bohrarbeiten in Holz, Metall oder Kunststoff die Arretiertaste nach unten, und drehen Sie den Zeiger des Umschalthebels auf das Symbol . Verwenden Sie einen Spiral- oder Holzbohrer.

Reiner Schlagbetrieb (Abb. 8)

Drücken Sie zum Splintern, Abblättern oder für Abbrucharbeiten die Arretiertaste nach unten, und drehen Sie den Zeiger des Umschalthebels auf das Symbol . Verwenden Sie einen Punkthammer, Kaltmeißel, Verzunderungsmeißel usw.

ACHTUNG:

- Der Umschalthebel darf nicht gedreht werden, solange das Werkzeug unter Last betrieben wird. Andernfalls wird das Werkzeug beschädigt.
- Zur Vermeidung eines vorzeitigen Verschleißes des Mechanismus zum Wechsel der Betriebsart müssen Sie darauf achten, dass der Umschalthebel immer richtig auf eine der drei Positionen der Betriebsart eingestellt ist.

Drehmomentbegrenzung

Die Drehmomentbegrenzung schaltet sich ein, wenn eine bestimmte Drehmomentstufe erreicht ist. Der Motor wird von der Antriebswelle ausgekuppelt. In diesem Fall kommt der Einsatz zum Stillstand.

ACHTUNG:

- Wenn sich die Drehmomentbegrenzung einschaltet, muss das Werkzeug sofort ausgeschaltet werden. Auf diese Weise wird ein vorzeitiger Verschleiß des Werkzeugs vermieden.

Anzeigenleuchte (Abb. 9)

Die grüne Anzeigenleuchte "Power-ON" für den Strom leuchtet, sobald das Werkzeug an die Stromversorgung angeschlossen. Wenn die Anzeigenleuchte nicht leuchtet, ist möglicherweise das Stromkabel oder die Steuerungseinheit defekt. Wenn die Anzeigenleuchte leuchtet und das Werkzeug nicht startet, obwohl es eingeschaltet wird, sind möglicherweise die Kohlebürsten verbraucht, oder die Steuerungseinheit, der Motor oder ON/OFF-Schalter ist defekt.

Die rote Service-Anzeigenleuchte leuchtet, wenn die Kohlebürsten fast verbraucht sind. Somit wissen Sie, dass das Werkzeug gewartet werden muss. Nach etwa 8 Stunden Betriebsdauer schaltet sich der Motor automatisch aus.

MONTAGE

ACHTUNG:

- Schalten Sie das Werkzeug stets aus und ziehen Sie den Stecker, bevor Sie irgendwelche Arbeiten am Werkzeug durchführen.

Seitengriff (Abb. 10)

ACHTUNG:

- Verwenden Sie bei Bohrarbeiten in Beton, Mauerwerk usw. stets den Seitengriff, damit die Betriebssicherheit gewährleistet ist.

Da der Seitengriff auf jede Seite gedreht werden kann, kann das Werkzeug in jeder Position bequem bedient werden. Lösen Sie den Seitengriff durch Drehen gegen den Uhrzeigersinn, stellen Sie ihn in die gewünschte Position, und befestigen Sie ihn dann wieder durch Drehen im Uhrzeigersinn.

Montage und Demontage des Einsatzes (Abb. 11)


Reinigen Sie den Aufnahmeschaft, und schmieren Sie ihn vor der Montage des Bohrmeißels mit ein wenig Fett. Setzen Sie den Bohrmeißel in das Werkzeug ein. Drehen Sie den Bohrmeißel und drücken Sie ihn hinein, bis er einrastet. (Abb. 12)

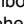
Wenn der Bohrmeißel nicht hineingedrückt werden kann, entfernen Sie ihn. Ziehen Sie das Spannfutter einige Male nach unten. Setzen Sie dann den Bohrmeißel erneut ein. Drehen Sie den Bohrmeißel und drücken Sie ihn hinein, bis er einrastet.

Überprüfen Sie nach der Montage stets, ob der Bohrmeißel einwandfrei sitzt, indem Sie versuchen, ihn herauszuziehen.

Ziehen Sie die Werkzeugverriegelung zum Entfernen des Einsatzes ganz nach unten und ziehen Sie den Einsatz heraus. (Abb. 13)

Winkel des Einsatzes (beim Splintern, Abblättern oder Abbruch) (Abb. 14)

Der Einsatz kann in 24 verschiedenen Winkeln festgestellt werden. Drücken Sie zur Änderung des Einsatzwinkels die Arretiertaste nach unten, und drehen Sie den Umschalthebel auf das Symbol .

Drehen Sie den Einsatz bis zum gewünschten Winkel. Drücken Sie die Arretiertaste nach unten, und drehen Sie den Umschalthebel auf das Symbol . Überprüfen Sie anschließend durch leichtes Drehen am Einsatz, dass er fest sitzt.

Tiefenanschlag (Abb. 15)

Der Tiefenanschlag ist beim Bohren von Löchern mit einer einheitlichen Bohrtiefe hilfreich. Lösen Sie die Klemmschraube, und stellen Sie den Tiefenanschlag auf die gewünschte Tiefe ein. Ziehen Sie die Klemmschraube nach der Einstellung fest an.

HINWEIS:

- Der Tiefenanschlag kann nicht an der Position verwendet werden, an der er gegen das Getriebe-/Motorgehäuse schlägt.

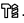
Staubschutzkappe (Abb. 16)

Verwenden Sie bei Überkopfbohrarbeiten die Staubschutzkappe, damit kein Staub auf das Werkzeug oder Sie selbst fällt. Befestigen Sie die Staubschutzkappe wie in der Abbildung dargestellt auf dem Einsatz. Die Staubschutzkappe kann für folgende Einsatzgrößen verwendet werden.

	Einsatzdurchmesser
Staubschutzkappe 5	6 mm bis 14,5 mm
Staubschutzkappe 9	12 mm bis 16 mm

BETRIEB

Schlagbohrbetrieb (Abb. 17)

Stellen Sie den Umschalthebel auf das Symbol . Setzen Sie den Einsatz auf die gewünschte Position für die Bohrung, und betätigen Sie dann den Ein/Aus-Schalter. Üben Sie keinen übermäßigen Druck auf das Werkzeug aus. Wenn Sie nur leichten Druck ausüben, erzielen Sie die besten Ergebnisse. Halten Sie das Werkzeug in Position, und achten Sie darauf, dass es nicht aus der Bohrung rutscht. Verstärken Sie den Druck nicht, wenn die Bohrung durch Holzspäne oder -partikel verstopft ist. Betreiben Sie stattdessen das Werkzeug im Leerlauf, und ziehen Sie dann den Einsatz teilweise aus der Bohrung. Wenn Sie diesen Vorgang mehrmals wiederholen, wird die Bohrung gesäubert, und Sie können den normalen Bohrvorgang fortsetzen.


ACHTUNG:

- Beim Durchschlag des Einsatzes in Beton oder wenn der Einsatz auf Verstärkungsstangen im Beton trifft, kann das Werkzeug gefährlich reagieren. Achten Sie auf eine gute Balance und einen sicheren Stand, während Sie das Werkzeug fest mit beiden Händen halten. Auf diese Weise können Sie gefährliche Reaktionen abfangen.

Ausblasvorrichtung (optionales Zubehör) (Abb. 18)

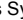
Wenn Sie das Loch gebohrt haben, entfernen Sie mit Hilfe der Ausblasvorrichtung den Staub aus der Bohrung.

Splittern / Abblättern / Abbruch (Abb. 19)

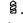
Stellen Sie den Umschalthebel auf das Symbol . Halten Sie das Werkzeug mit beiden Händen fest. Schalten Sie das Werkzeug ein und üben Sie leichten Druck darauf aus, so dass es nicht unkontrolliert herumspringt. Ein stärkerer Druck auf das Werkzeug erhöht den Wirkungsgrad nicht.

Bohren in Holz oder Metall (Abb. 20 bis 22)

Für Model HR3200C, HR3210C

Verwenden Sie den optionalen Bohrfuttersatz. Lesen Sie zu dessen Montage den Abschnitt „Montage und Demontage des Einsatzes“ auf der vorherigen Seite. Stellen Sie den Umschalthebel so ein, dass der Zeiger auf das Symbol  zeigt.


Für Modell HR3210FCT

Verwenden Sie das Schnellwechselbohrfutter als Standardausrüstung. Lesen Sie zu dessen Montage den Abschnitt „Wechseln des Schnellwechselhalters für SDS-Plus“ auf der vorherigen Seite. Halten Sie den Ring fest, und drehen Sie den Kranz gegen den Uhrzeigersinn, um die Spannfüterbacken zu öffnen. Schieben Sie den Einsatz so weit wie möglich in das Spannfutter. Halten Sie den Ring fest, und drehen Sie den Kranz im Uhrzeigersinn, um das Spannfutter anzuziehen. Wenn Sie den Einsatz entfernen möchten, müssen Sie den Ring festhalten und den Kranz gegen den Uhrzeigersinn drehen. Stellen Sie den Umschalthebel auf das Symbol . Der maximale Bohrdurchmesser beträgt 13 mm bei Metall und 32 mm bei Holz.

ACHTUNG:

- Wenn das Schnellwechselbohrfutter am Werkzeug montiert ist, dürfen Sie auf keinen Fall die Betriebsart „Schlagbohren“ verwenden. Andernfalls kann das Schnellwechselbohrfutter beschädigt werden.
- Der Bohrvorgang kann durch übermäßigen Druck auf das Werkzeug nicht beschleunigt werden. Dieser übermäßige Druck beschädigt im Gegenteil die Spitze des Einsatzes, vermindert die Leistung des Werkzeugs und verkürzt dessen Lebensdauer.
- Beim Lochdurchschlag wirken enorme Drehkräfte auf das Werkzeug/den Einsatz. Halten Sie das Werkzeug fest und seien Sie vorsichtig, wenn der Einsatz das Werkstück durchbricht.
- Befestigen Sie kleine Werkstücke immer in einem Schraubstock oder einer ähnlichen Haltevorrichtung.

Diamantkernbohren

Stellen Sie den Umschalthebel beim Diamantkernbohren immer auf die Position  ein, um die Betriebsart "Drehbohren" zu verwenden.

ACHTUNG:

- Ist beim Diamantkernbohren hingegen die Betriebsart „Schlagbohren“ eingestellt, kann die Diamantbohrkrone gegebenenfalls beschädigt werden.

WARTUNG

ACHTUNG:

- Schalten Sie das Werkzeug stets aus und ziehen Sie den Stecker, bevor Sie Prüfungen oder Wartungsarbeiten am Werkzeug durchführen.

Schmierung

ACHTUNG:

- Diese Wartungsarbeit sollte nur von autorisierten Makita-Servicecentern oder vom Werkcenter durchgeführt werden.

Dieses Werkzeug braucht nicht stündlich oder täglich gefettet zu werden, da es über ein fettgeschmiertes Schmiermittelsystem verfügt. Schmiern Sie das Werkzeug bei jedem Wechsel der Kohlebürsten. Nehmen Sie das Werkzeug für einige Minuten in Betrieb, um es aufzuwärmen. Schalten Sie das Werkzeug aus, und ziehen Sie den Stecker. **(Abb. 23)** Lösen Sie die vier Schrauben, und nehmen Sie den Griff ab. Beachten Sie, dass sich die oberen Schrauben von den übrigen Schrauben unterscheiden. **(Abb. 24)** Trennen Sie das Verbindungsstück durch Ziehen. **(Abb. 25)**

Lösen Sie die zwei Schrauben an der Kurbelkappenabdeckung und entfernen Sie diese. **(Abb. 26)**

Richten Sie den Umschalthebel am Symbol \triangle aus, lösen Sie die fünf Schrauben und entfernen Sie anschließend die Kurbelkappe. **(Abb. 27)**

ACHTUNG:

- Entfernen Sie die Kurbelkappe nur, nachdem der Umschalthebel am Symbol \triangle ausgerichtet wurde. Entfernen Sie diese niemals, ohne dass der Umschalthebel am Symbol \triangle ausgerichtet wurde. Zuwiderhandlungen machen eine Wiedermontage unmöglich. **(Abb. 28)**

Legen Sie das Werkzeug mit der Einsatzspitze nach oben auf den Tisch. Auf diese Weise kann sich das Fett im Kurbelgehäuse sammeln.

Wischen Sie innen das alte Fett aus, und ersetzen Sie es durch neues Fett (30 g). Verwenden Sie nur das Hammerfett von Makita (Sonderzubehör). Wenn Sie mehr Fett auffüllen als angegeben (etwa 30 g), kann dies zu Ausfällen und Fehlfunktionen des Werkzeugs führen. Füllen Sie nur die angegebene Menge an Fett auf.

ACHTUNG:

- Achten Sie sorgfältig darauf, dass Sie beim Auswischen des alten Fetts das Verbindungsstück und die Kabel nicht beschädigen.

Zur Wiedermontage des Werkzeugs befolgen Sie das Demontageverfahren in umgekehrter Reihenfolge.

ACHTUNG:

- Die Kurbelkappe darf nicht zu fest angezogen werden. Sie ist aus Kunstharz gefertigt und kann brechen. **(Abb. 29)**

Schließen Sie das Verbindungsstück fest an, und bringen Sie anschließend den Griff wieder an.

ACHTUNG:

- Achten Sie sorgfältig darauf, dass Sie beim Einbauen des Griffs das Verbindungsstück und die Kabel nicht beschädigen.

Um die SICHERHEIT und ZUVERLÄSSIGKEIT des Produkts zu gewährleisten, sollten Reparaturen, Kohlebürsteninspektion und -ersatz sowie alle anderen Wartungsarbeiten und Einstellungen nur durch von

Makita autorisierte Servicecenter durchgeführt und immer Makita-Ersatzteile verwendet werden.

ZUBEHÖR

ACHTUNG:

- Die folgenden Zubehör- und Zusatzteile werden für das in diesem Handbuch beschriebene Makita-Werkzeug empfohlen. Die Verwendung anderer Zubehör- und Zusatzteile kann zu Personenschäden führen. Verwenden Sie Zubehör- und Zusatzteile nur für den vorgesehenen Zweck.

Informationen zu diesem Zubehör erhalten Sie bei einem Makita-Servicecenter in Ihrer Nähe.

- SDS-Plus-Hartmetallspitzen
- Punkthammer
- Bohrkronen
- Kaltmeißel
- Diamantbohrkronen
- Hammerfett
- Verzunderungsmeißel
- Nutenmeißel
- Bohrfuttersatz
- Bohrfutter S13
- Bohrfutteradapter
- Spannfutterschlüssel S13
- Bohrer-/Meißelfett
- Seitengriff
- Tiefenanschlag
- Ausblasvorrichtung
- Staubschutzkappe
- Sicherheitsschutzbrille
- Plastiktragekoffer

Für Modell HR3200C

Nur für europäische Länder

Schallpegel

ENG102-1

Typischer A-bewerteter Schallpegel nach EN60745-2-6:

Schalldruckpegel (L_{pA}): 89 dB (A)

Schalleistungspegel (L_{WA}): 100 dB (A)

Abweichung (K): 3 dB (A)

Tragen Sie Gehörschutz.

Vibration

Schwingungs Gesamtwerte (Vektorsumme dreier Achsen) nach EN60745-2-6:

ENG215-1

Arbeitsmodus: Meißelfunktion

Schwingungsbelastung ($a_{h,CHeq}$): 12,5 m/s²

Abweichung (K): 1,5 m/s²

ENG303-1

Arbeitsmodus: Schlagbohren in Beton, 16 mm

Durchmesser und 100 mm Tiefe

Schwingungsbelastung ($a_{h,HD}$): 18 m/s²

Abweichung (K): 1,5 m/s²

ENG302-1

Arbeitsmodus: Bohren in Metall

Schwingungsbelastung ($a_{h,D}$): 2,5 m/s² oder weniger

Für Modell HR3210C

Nur für europäische Länder

Schallpegel

ENG102-1

Typischer A-bewerteter Schallpegel nach EN60745-2-6:

Schalldruckpegel (L_{pA}): 89 dB (A)

Schalleistungspegel (L_{WA}): 100 dB (A)

Abweichung (K): 3 dB (A)

Tragen Sie Gehörschutz.

Vibration

Schwingungsgesamtwerte (Vektorsumme dreier Achsen)
nach EN60745-2-6:

ENG215-1

Arbeitsmodus: Meißelfunktion

Schwingungsbelastung ($a_{h,CHeq}$): 7,5 m/s²

Abweichung (K): 1,5 m/s²

ENG303-1

Arbeitsmodus: Schlagbohren in Beton, 16 mm

Durchmesser und 100 mm Tiefe

Schwingungsbelastung ($a_{h,HD}$): 10 m/s²

Abweichung (K): 1,5 m/s²

ENG302-1

Arbeitsmodus: Bohren in Metall

Schwingungsbelastung ($a_{h,D}$): 2,5 m/s² oder weniger

Für Modell HR3210FCT

Nur für europäische Länder

Schallpegel

ENG102-1

Typischer A-bewerteter Schallpegel nach EN60745-2-6:

Schalldruckpegel (L_{pA}): 88 dB (A)

Schalleistungspegel (L_{WA}): 99 dB (A)

Abweichung (K): 3 dB (A)

Tragen Sie Gehörschutz.

Vibration

Schwingungsgesamtwerte (Vektorsumme dreier Achsen)
nach EN60745-2-6:

ENG215-1

Arbeitsmodus: Meißelfunktion

Schwingungsbelastung ($a_{h,CHeq}$): 8 m/s²

Abweichung (K): 1,5 m/s²

ENG303-1

Arbeitsmodus: Schlagbohren in Beton, 16 mm

Durchmesser und 100 mm Tiefe

Schwingungsbelastung ($a_{h,HD}$): 10 m/s²

Abweichung (K): 1,5 m/s²

ENG302-1

Arbeitsmodus: Bohren in Metall

Schwingungsbelastung ($a_{h,D}$): 2,5 m/s² oder weniger

EG-KONFORMITÄTSERKLÄRUNG

Für Modell HR3200C, HR3210C, HR3210FCT ENH101-8

Wir erklären in alleiniger Verantwortung, dass sich dieses Produkt in Übereinstimmung mit den folgenden Normen der Normdokumente

EN60745, EN55014, EN61000 befindet sowie in

Übereinstimmung mit den Ratsverordnungen

2004/108/EC, 98/37/EC.

CE 2007



Tomoyasu Kato
Direktor

Verantwortlicher Hersteller:

Makita Corporation

3-11-8, Sumiyoshi-cho, Anjo, Aichi, JAPAN

Autorisierte Vertretung in Europa:

Makita International Europe Ltd.

Michigan Drive, Tongwell, Milton Keynes, Bucks MK15
8JD, ENGLAND

Spiegazione della vista generale

- | | | |
|---|---|-----------------------------------|
| 1. Interruttore | 10. Indicatore | 20. Scodellino per la polvere |
| 2. Lampada | 11. Leva di selezione della modalità | 21. Soffietto a peretta |
| 3. Ghiera di regolazione | 12. Spia indicazione accensione (verde) | 22. Adattatore per mandrino |
| 4. Mandrino a cambio rapido per SDS-plus | 13. Spia di servizio (rossa) | 23. Mandrino trapano senza chiave |
| 5. Coperchio di ricambio | 14. Impugnatura laterale | 24. Manicotto |
| 6. Copertura del mandrino | 15. Gambo della punta | 25. Anello |
| 7. Mandrino | 16. Grasso per punte | 26. Viti |
| 8. Mandrino di perforazione a cambio rapido | 17. Punta | 27. Connettore |
| 9. Pulsante di blocco | 18. Calibro di profondità | 28. Coperchio della manovella |
| | 19. Vite di serraggio | |

CARATTERISTICHE TECNICHE

Modello		HR3200C	HR3210C	HR3210FCT
Capacità	Cemento	Punta con estremità in carburo di tungsteno		
		Punta centrale		
	Acciaio		13 mm	
	Legno		32 mm	
Velocità a vuoto (min ⁻¹)		315 - 630		
Colpi al minuto		1.650 - 3.300		
Lunghezza totale		398 mm		424 mm
Peso netto		4,4 kg	4,8 kg	5,0 kg
Classe di sicurezza		II/II		

- Le caratteristiche tecniche riportate di seguito sono soggette a modifiche senza preavviso in virtù del nostro programma continuo di ricerca e sviluppo.
- Nota: le caratteristiche tecniche possono differire da paese a paese.

Simboli

END201-4

Il seguente elenco riporta i simboli utilizzati per questo utensile. È importante comprenderne il significato prima di utilizzare l'utensile.



..... Leggere il manuale di istruzioni.



..... ISOLAMENTO DOPPIO

Uso previsto

ENE044-1

L'utensile è progettato per la foratura a percussione di mattoni, cemento e pietra, e per lavori di scalpellatura.

Alimentazione

ENF002-1

L'utensile deve essere collegato a una presa di corrente con la stessa tensione di quella indicata sulla targhetta e può funzionare soltanto con corrente alternata monofase. L'utensile è dotato di doppio isolamento in osservanza alle norme europee, pertanto può essere usato anche con prese di corrente sprovviste della messa a terra.

REGOLE SPECIFICHE DI SICUREZZA

GEB007-2

NON lasciare che la familiarità acquisita con il prodotto in seguito all'uso ripetuto provochi

l'inosservanza delle regole di sicurezza del martello rotativo. Se questo utensile viene utilizzato in modo improprio o errato, è possibile subire lesioni personali gravi.

- Indossare protezioni acustiche.** L'esposizione al rumore può causare la perdita della capacità uditiva.
- Utilizzare le impugnature ausiliarie fornite con l'utensile.** La perdita di controllo può provocare lesioni personali.
- Se si eseguono operazioni in cui l'utensile può toccare fili nascosti o il cavo di alimentazione, impugnare l'utensile utilizzando i punti di presa isolati.** Il contatto con un filo in tensione farà sì che le parti metalliche esposte dell'utensile si trovino anch'esse sotto tensione provocando scosse elettriche all'operatore.
- Indossare un elmetto (casco di sicurezza), occhiali di sicurezza e/o visiere protettive. I comuni occhiali da vista o da sole NON sono occhiali di sicurezza. Si consiglia anche di indossare una maschera antipolvere e guanti imbottiti.**
- Prima di azionare l'utensile, verificare che la punta sia fissata nella posizione corretta.**
- In condizioni d'uso normali, l'utensile è progettato per produrre vibrazioni. Le viti si possono allentare facilmente, causando rotture o incidenti. Prima di azionare l'utensile, controllare che le viti siano serrate.**

7. **Con clima freddo o se l'utensile non è stato utilizzato per molto tempo, lasciare riscaldare l'utensile per qualche istante azionandolo senza carico. Questo renderà più efficace la lubrificazione. Le operazioni con percussione risultano più difficoltose senza un preriscaldamento adeguato.**
8. **Accertarsi sempre di avere un equilibrio stabile. Controllare che nessuno si trovi sotto all'utensile quando lo si utilizza in posizioni elevate.**
9. **Tenere saldamente l'utensile con entrambe le mani.**
10. **Mantenere le mani lontano dalle parti in movimento.**
11. **Non lasciare l'utensile acceso. Azionare l'utensile solo dopo averlo impugnato.**
12. **Non puntare l'utensile verso persone presenti nell'area di lavoro. Un'eventuale fuoriuscita della punta potrebbe provocare lesioni gravi.**
13. **Non toccare la punta o le parti vicino alla punta subito dopo aver utilizzato l'utensile in quanto possono raggiungere temperature elevate e provocare ustioni.**
14. **Alcuni materiali contengono prodotti chimici che possono essere tossici. Evitare l'inalazione della polvere e il contatto con la pelle. Attenersi alle istruzioni per la sicurezza del fornitore dei materiali.**

CONSERVARE QUESTE ISTRUZIONI.

AVVERTENZA:

L'USO IMPROPRIO o la mancata osservanza delle norme di sicurezza contenute in questo manuale può provocare lesioni personali gravi.

DESCRIZIONE FUNZIONALE

ATTENZIONE:

- Prima di regolare o controllare le funzioni dell'utensile, verificare sempre di averlo spento e scollegato dall'alimentazione.

Azionamento dell'interruttore (Fig. 1)

ATTENZIONE:

- Prima di collegare l'utensile, controllare se l'interruttore funziona correttamente e ritorna alla posizione "OFF" una volta rilasciato.

Per accendere l'utensile è sufficiente tirare l'interruttore. Per spegnere l'utensile, rilasciare l'interruttore.

Accensione delle lampade

Per il modello HR3210FCT (Fig. 2)

ATTENZIONE:

- Non osservare direttamente la luce o la fonte luminosa. Per accendere la lampada, tirare la leva. Per spegnerla, rilasciare la leva.

NOTA:

- Utilizzare un panno asciutto per pulire la lente della lampadina.

Fare attenzione a non graffiare la lente della lampadina per evitare riduzioni dell'intensità luminosa.

Modifica della velocità (Fig. 3)

Il numero di giri e di colpi al minuto possono essere regolati ruotando la ghiera di regolazione. I segni sulla ghiera vanno da 1 (velocità minima) a 5 (velocità massima).

Fare riferimento alla tabella seguente per quanto riguarda la relazione fra la posizione della ghiera e il numero di giri e di colpi al minuto.

Numero sulla ghiera di regolazione	Giri al minuto	Colpi al minuto
5	630	3.300
4	590	3.100
3	480	2.500
2	370	1.900
1	315	1.650

ATTENZIONE:

- Se l'utensile è usato per molto tempo a basse velocità, in modo continuativo, il motore risulterà sovraccaricato, con il risultato di un cattivo funzionamento.
- La ghiera di regolazione della velocità può essere ruotata soltanto fino a 5 o indietro fino a 1. Non forzarla oltre 5 o 1: potrebbe non funzionare più correttamente.

Sostituzione del mandrino a cambio rapido per SDS-plus

Per il modello HR3210FCT

Il mandrino a cambio rapido per SDS-plus può essere facilmente scambiato con il mandrino di perforazione a cambio rapido.

Sostituzione del mandrino a cambio rapido per SDS-plus (Fig. 4)

ATTENZIONE:

- Prima di rimuovere il mandrino a cambio rapido per SDS-plus, rimuovere sempre la punta.

Tenere il coperchio di ricambio con il pollice e il dito medio e tirarlo nella direzione della freccia 1. Con il coperchio di ricambio tirato in quella posizione, tenere la copertura del mandrino con l'indice. Tenendo la copertura del mandrino in questa posizione, estrarre il mandrino a cambio rapido per SDS-plus nella direzione della freccia 2 con un'unica operazione.


Applicazione del mandrino di perforazione a cambio rapido (Fig. 5)

Afferrare il coperchio di ricambio e posizionare il mandrino di perforazione a cambio rapido sul mandrino dell'utensile.


Accertarsi che il mandrino di perforazione a cambio rapido sia fissato bene provando a tirarlo più volte.

Selezione della modalità operativa


Foratura con percussione (Fig. 6)

Per la foratura di cemento, muratura, eccetera, rilasciare il pulsante di blocco e ruotare la leva di selezione della modalità operativa fino al simbolo . Utilizzare una punta a carburo di tungsteno.

Solo rotazione (Fig. 7)

Per la foratura di legno, metallo o materiali in plastica, rilasciare il pulsante di blocco e ruotare la leva di selezione della modalità operativa fino al simbolo . Utilizzare una punta elicoidale o una punta per il legno.

Solo martellatura (Fig. 8)

Per scalpellare, scagliare o demolire, rilasciare il pulsante di blocco e ruotare la leva di selezione della modalità operativa fino al simbolo . Utilizzare una punta gigante, uno scalpello a freddo, uno scalpello per scagliatura, eccetera.

ATTENZIONE:

- Non ruotare la leva di selezione della modalità operativa mentre l'utensile è acceso e sotto carico. L'utensile potrebbe essere danneggiato.
- Per evitare una rapida usura del meccanismo di modifica della modalità, accertarsi che la leva di selezione della modalità operativa sia sempre posizionata correttamente su una delle tre posizioni previste.

Limitatore di coppia

Il limitatore di coppia si attiva quando viene raggiunto un certo livello di coppia. Il motore si disinnesta dall'albero motore. In tal caso, la punta smette di girare.

ATTENZIONE:

- Non appena il limitatore di coppia si attiva, spegnere immediatamente l'utensile. Questo previene l'usura prematura dell'utensile.

Spia luminosa (Fig. 9)

La spia verde dell'alimentazione si accende quando l'utensile è collegato alla presa di corrente. Se la spia non si accende, il cavo di alimentazione o il controller potrebbero essere difettosi. Se la spia si accende ma l'utensile non si avvia nonostante sia acceso, potrebbero essersi usurate le spazzole di carbone oppure il controller, il motore o l'interruttore potrebbero essere difettosi.

La spia di servizio rossa si accende quando le spazzole di carbone sono quasi del tutto usurate, per indicare che l'utensile ha bisogno di manutenzione. Il motore viene automaticamente disattivato dopo circa 8 ore di utilizzo.

MONTAGGIO

ATTENZIONE:

- Accertarsi sempre che l'utensile sia spento e scollegato dalla presa di corrente prima di iniziare qualsiasi operazione su di esso.

Impugnatura laterale (Fig. 10)

ATTENZIONE:

- Usare sempre il manico laterale per lavorare con sicurezza durante le operazioni di foratura in cemento, muratura, eccetera.

Il manico laterale può essere collocato su entrambi i lati dell'utensile per consentire una presa sicura in qualsiasi posizione di lavoro. Allentare il manico laterale ruotandolo in senso antiorario, collocarlo nella posizione desiderata e fissarlo, ruotandolo in senso orario.

Installazione o rimozione della punta (Fig. 11)

Pulire il gambo della punta e applicare il grasso prima di installare la punta.


Inserire la punta nell'utensile. Ruotare la punta e spingere fino ad agganciarla. (Fig. 12)

Se non è possibile inserire la punta, rimuoverla.


Abbassare la copertura del mandrino un paio di volte. Quindi inserire nuovamente la punta. Ruotare la punta e spingere fino ad agganciarla.

Dopo l'installazione, verificare sempre che la punta rimanga saldamente in posizione, provando ad estrarla. Per rimuovere la punta, abbassare completamente il coperchio del mandrino ed estrarre la punta. (Fig. 13)

Angolo della punta (durante la scalpellatura, la scagliatura o la demolizione) (Fig. 14)

È possibile fissare la punta secondo 24 angoli diversi. Per modificare l'angolo della punta, rilasciare il pulsante di blocco e ruotare la leva di selezione della modalità operativa fino al simbolo .

Ruotare la punta fino all'angolo desiderato.

Rilasciare il pulsante di blocco e ruotare la leva per la modifica della modalità operativa fino al simbolo . Quindi verificare che la punta rimanga saldamente in posizione ruotandola leggermente.

Calibro di profondità (Fig. 15)

Il calibro di profondità è utile per praticare fori della stessa profondità. Allentare le vite di serraggio e regolare il calibro di profondità alla profondità desiderata. Al termine della regolazione, stringere saldamente le vite di serraggio.

NOTA:

- Non è possibile utilizzare il calibro di profondità quando tocca l'alloggiamento degli ingranaggi o del motore.


Scodellino per la polvere (Fig. 16)

Utilizzare lo scodellino per la polvere per evitare che la polvere cada sull'utensile o sull'operatore quando si effettuano forature in posizioni elevate, al di sopra della testa. Attaccare lo scodellino per la polvere alla punta come mostrato nella figura. Le dimensioni delle punte a cui si possono attaccare gli scodellini per la polvere sono indicate di seguito.

	Diametro punta
Scodellino per la polvere 5	6 mm - 14,5 mm
Scodellino per la polvere 9	12 mm - 16 mm

USO

Foratura con percussione (Fig. 17)

Impostare la leva di selezione della modalità sul simbolo .

Collocare la punta nella posizione desiderata per il foro, quindi premere l'interruttore. Non forzare l'utensile. Una pressione lieve produce i risultati migliori. Mantenere l'utensile in posizione e impedire che la punta fuoriesca dal foro.

Non aumentare la pressione quando il foro è ostruito da frammenti o schegge. Al contrario, azionare l'utensile alla velocità minima, quindi rimuovere parzialmente la punta dal foro. Ripetere l'operazione più volte fino a quando il foro risulta sgombro ed è possibile riprendere la foratura.


ATTENZIONE:

- Se la punta comincia a sfondare il cemento, o se urta contro barre di rinforzo all'interno del cemento, l'utensile può avere una reazione pericolosa. Mantenere un buon bilanciamento e una buona presa a terra e sorreggere fermamente l'utensile con entrambe le mani per evitare reazioni pericolose.

Soffietto a peretta (accessorio opzionale) (Fig. 18)

Al termine della foratura, utilizzare il soffietto a peretta per ripulire il foro dalla polvere.


Scalpellatura/scagliatura/demolizione (Fig. 19)

Impostare la leva di selezione della modalità sul simbolo .

Tenere saldamente l'utensile con entrambe le mani. Accendere l'utensile e applicare una leggera pressione in modo da evitare rimbalzi non controllati. L'efficienza dell'utensile non aumenta se si applica una pressione più forte.

Foratura del legno o del metallo (Fig. 20 - 22)


Per i modelli HR3200C, HR3210C

Utilizzare il gruppo mandrino trapano opzionale. Per eseguire l'installazione, fare riferimento a "Installazione o rimozione della punta" descritta nella pagina precedente. Impostare la leva di selezione della modalità in modo che l'indicatore si trovi in corrispondenza del simbolo .

Per il modello HR3210FCT

Utilizzare il mandrino di perforazione a cambio rapido come attrezzatura standard.

Per eseguire l'installazione, fare riferimento al paragrafo "Sostituzione del mandrino a cambio rapido per SDS-plus" descritto nella pagina precedente.


Tenere fermo l'anello e ruotare il manicotto in senso antiorario per aprire le griffe del mandrino. Inserire completamente la punta nel mandrino. Tenere saldamente l'anello e ruotare il manicotto in senso orario per serrare il mandrino. Per rimuovere la punta, tenere fermo l'anello e ruotare il manicotto in senso antiorario. Impostare la leva di selezione della modalità sul simbolo .

È possibile effettuare fori fino a 13 mm di diametro nel metallo e fino a 32 mm di diametro nel legno.

ATTENZIONE:

- Non utilizzare mai la "foratura con percussione" quando il mandrino di perforazione a cambio rapido è installato sull'utensile, in quanto il mandrino potrebbe danneggiarsi.
- Se si applica una pressione eccessiva sull'utensile non si accelera la foratura. Al contrario, una pressione eccessiva può danneggiare l'estremità della punta, diminuire l'efficacia dell'utensile e abbreviarne la durata operativa.
- Quando avviene lo sfondamento, l'utensile e la punta sono soggetti a una forza rotatoria molto intensa. Impugnare saldamente l'utensile e prestare particolare attenzione quando il foro è quasi completato.
- Fissare sempre i pezzi in lavorazione di piccole dimensioni utilizzando una morsa o un dispositivo simile.

Foratura con punta diamantata

Quando si effettuano forature con punte diamantate, impostare sempre la leva di modifica nella posizione  per utilizzare la modalità "solo rotazione".

ATTENZIONE:

- Se si effettuano forature con la punta diamantata utilizzando la modalità "foratura con percussione", la punta centrale diamantata potrebbe danneggiarsi.

MANUTENZIONE

ATTENZIONE:

- Prima di effettuare controlli e operazioni di manutenzione, verificare sempre che l'utensile sia spento e scollegato.

Lubrificazione

ATTENZIONE:

- Questa manutenzione deve essere effettuata solo da centri di assistenza autorizzati Makita o dal servizio interno del produttore.


Questo utensile non richiede una lubrificazione quotidiana o regolare, perché dispone di un sistema di lubrificazione con grasso. L'utensile deve essere lubrificato a ogni sostituzione delle spazzole di carbone.

Azionare l'utensile per diversi minuti in modo da riscaldarlo. Spegnerlo e scollegare l'utensile. (Fig. 23)


Allentare le quattro viti e rimuovere l'impugnatura. Nota: le viti superiori sono diverse dalle altre. (Fig. 24)

Sconnettere il connettore, tirandolo. (Fig. 25)

Allentare le due viti sul coperchio della manovella e rimuoverla. (Fig. 26)

Allineare la leva di selezione della modalità con il simbolo , allentare le cinque viti, quindi rimuovere il coperchio della manovella. (Fig. 27)

ATTENZIONE:

- Rimuovere sempre il coperchio della manovella solo dopo aver allineato la leva di selezione della modalità con il simbolo . Non rimuovere mai il coperchio della manovella con forza senza aver prima allineato la leva

di selezione della modalità con il simbolo Δ . In caso contrario, non sarà possibile rimontare le vari parti.

(Fig. 28)

Posare l'utensile su un banco da lavoro con la punta rivolta verso l'alto. In tal modo il grasso si raccoglierà nell'alloggiamento della manovella.

Asportare il grasso all'interno dell'alloggiamento e sostituirlo con grasso nuovo (30 g). Usare solo grasso per martelli originale Makita (accessorio opzionale). Il riempimento con una quantità di grasso superiore a 30 g può causare movimenti difettosi del martello o guasti all'utensile. Riempire solo con la quantità di grasso specificata.

ATTENZIONE:

- Fare attenzione a non danneggiare il connettore o i conduttori, specie durante la rimozione del grasso.

Per rimontare l'utensile, attenersi alla procedura di disinstallazione procedendo in senso inverso.

ATTENZIONE:

- Non stringere eccessivamente il coperchio della manovella. Il coperchio è costruito in resina ed è soggetto a rotture. (Fig. 29)

Collegare saldamente il connettore, quindi rimontare l'impugnatura.

ATTENZIONE:

- Fare attenzione a non danneggiare il connettore o i conduttori, specie durante l'installazione dell'impugnatura.

Per mantenere la SICUREZZA e l'AFFIDABILITÀ del prodotto, le riparazioni, il controllo della spazzola di carbone, le sostituzioni e qualsiasi altra operazione di manutenzione o regolazione devono essere eseguite da un centro di assistenza Makita autorizzato usando sempre ricambi Makita.

ACCESSORI

ATTENZIONE:

- Si raccomanda di usare questi accessori per l'utensile Makita descritto in questo manuale. L'uso di qualsiasi altro accessorio potrebbe provocare lesioni personali. Utilizzare gli accessori esclusivamente per l'uso dichiarato.

Per l'assistenza e ulteriori informazioni su tali accessori, rivolgersi al centro di assistenza Makita più vicino.

- Punta SDS Plus con estremità al carburo di tungsteno
- Punta gigante
- Punta centrale
- Scalpello a freddo
- Punta centrale diamantata
- Grasso per martello
- Scalpello per scagliatura
- Scalpello per scanalature
- Gruppo mandrino trapano
- Mandrino trapano S13
- Adattatore per mandrino
- Chiave per mandrino S13
- Grasso per punte
- Impugnatura laterale

- Calibro di profondità
- Soffietto a peretta
- Scodellino per la polvere
- Occhiali di protezione
- Valigetta di trasporto di plastica

Per il modello HR3200C

Solo per i Paesi europei

Rumore

ENG102-1

Il tipico livello di rumore ponderato "A" è determinato in conformità con la norma EN60745-2-6:

Livello di pressione sonora (L_{pA}): 89 dB (A)

Livello di pressione sonora (L_{WA}): 100 dB (A)

Variazione (K): 3 dB (A)

Indossare una protezione acustica

Vibrazione

Il valore totale della vibrazione (somma vettoriale triassiale) viene determinato in conformità con la norma EN60745-2-6:

ENG215-1

Modalità di lavoro: funzione di scalpellatura

Emissione di vibrazioni ($a_{h,CHeq}$): 12,5 m/s²

Variazione (K): 1,5 m/s²

ENG303-1

Modalità di lavoro: foratura con percussione in

cemento, 16 mm di diametro e 100 mm di profondità

Emissione di vibrazioni ($a_{h,HD}$): 18 m/s²

Variazione (K): 1,5 m/s²

ENG302-1

Modalità di lavoro: foratura metallo

Emissione di vibrazioni ($a_{h,D}$): 2,5 m/s² o inferiore

Per il modello HR3210C

Solo per i Paesi europei

Rumore

ENG102-1

Il tipico livello di rumore ponderato "A" è determinato in conformità con la norma EN60745-2-6:

Livello di pressione sonora (L_{pA}): 89 dB (A)

Livello di pressione sonora (L_{WA}): 100 dB (A)

Variazione (K): 3 dB (A)

Indossare una protezione acustica

Vibrazione

Il valore totale della vibrazione (somma vettoriale triassiale) viene determinato in conformità con la norma EN60745-2-6:

ENG215-1

Modalità di lavoro: funzione di scalpellatura

Emissione di vibrazioni ($a_{h,CHeq}$): 7,5 m/s²

Variazione (K): 1,5 m/s²

ENG303-1

Modalità di lavoro: foratura con percussione in

cemento, 16 mm di diametro e 100 mm di profondità

Emissione di vibrazioni ($a_{h,HD}$): 10 m/s²

Variazione (K): 1,5 m/s²

ENG302-1

Modalità di lavoro: foratura metallo

Emissione di vibrazioni ($a_{h,D}$): 2,5 m/s² o inferiore

Per il modello HR3210FCT

Solo per i Paesi europei

Rumore

ENG102-1

Il tipico livello di rumore ponderato "A" è determinato in conformità con la norma EN60745-2-6:

Livello di pressione sonora (L_{pA}): 88 dB (A)

Livello di pressione sonora (L_{WA}): 99 dB (A)

Variazione (K): 3 dB (A)

Indossare una protezione acustica

Vibrazione

Il valore totale della vibrazione (somma vettoriale triassiale) viene determinato in conformità con la norma EN60745-2-6:

ENG215-1

Modalità di lavoro: funzione di scalpellatura

Emissione di vibrazioni ($a_{h,CHeg}$): 8 m/s²

Variazione (K): 1,5 m/s²

ENG303-1

Modalità di lavoro: foratura con percussione nel cemento, 16 mm di diametro e 100 mm di profondità

Emissione di vibrazioni ($a_{h,HD}$): 10 m/s²

Variazione (K): 1,5 m/s²

ENG302-1

Modalità di lavoro: foratura metallo

Emissione di vibrazioni ($a_{h,D}$): 2,5 m/s² o inferiore

DICHIARAZIONE DI CONFORMITÀ CE

Modelli HR3200C, HR3210C, HR3210FCT ENH101-8

Dichiariamo sotto nostra esclusiva responsabilità che il presente prodotto è conforme alle seguenti norme o documenti normativi:

EN60745, EN55014, EN61000 secondo le disposizioni delle direttive del Consiglio, 2004/108/CE, 98/37/CE.

CE 2007



Tomoyasu Kato
Direttore

Produttore responsabile:

Makita Corporation

3-11-8, Sumiyoshi-cho, Anjo, Aichi, GIAPPONE

Rappresentanti autorizzati in Europa:

Makita International Europe Ltd.

Michigan Drive, Tongwell, Milton Keynes, Bucks MK15 8JD, INGHILTERRA

NEDERLANDS

Verklaring van algemene gegevens

- | | | |
|--------------------------------|-----------------------------|------------------------------|
| 1. Aan/uit-schakelaar | 11. Keuzeknop | 21. Blaasbalgje |
| 2. Lamp | 12. Bedrijfslampje (groen) | 22. Boorkop-adapter |
| 3. Stelknop | 13. Onderhoudslampje (rood) | 23. Sleutellose boorkop |
| 4. Snelwisselkop voor SDS-plus | 14. Zijhandgreep | 24. Bus |
| 5. Wisselmof | 15. Boorschacht | 25. Ring |
| 6. Boormof | 16. Boorvet | 26. Schroeven |
| 7. As | 17. Boor | 27. Stekker |
| 8. Snelwisselboorkop | 18. Diepteaanslag | 28. Deksel van krukafdekking |
| 9. Vastzetknop | 19. Klenschroef | |
| 10. Aanwijspunt | 20. Stofvanger | |

TECHNISCHE GEGEVENEN

Model		HR3200C	HR3210C	HR3210FCT
Vermogen	Beton	Boor met hardmetalen punt		
		Kroonboor		
	Staal			32 mm
	Hout			90 mm
Nullasttoerental (min ⁻¹)		13 mm		
Aantal slagen/minuut		32 mm		
Totale lengte		315 - 630		424 mm
Netto gewicht		1.650 - 3.300		
Veiligheidsklasse		4,4 kg		4,8 kg
		5,0 kg		
		☐/II		

- Als gevolg van ons doorlopende onderzoeks- en ontwikkelingsprogramma, zijn de technische gegevens van dit gereedschap onderhevig aan veranderingen zonder voorafgaande kennisgeving.
- Opmerking: De technische gegevens kunnen van land tot land verschillen.

Symbolen

END201-4

Hieronder staan de symbolen die voor dit gereedschap worden gebruikt. Zorg ervoor dat u weet wat ze betekenen alvorens het gereedschap te gebruiken.



..... Lees de gebruiksaanwijzing.



..... DUBBEL GEÏSOLEERD

Gebruiksdoelinden

ENE044-1

Het gereedschap is bedoeld voor hamerboren in baksteen, beton en steen, en tevens voor beitelwerk.

Voeding

ENF002-1

Het gereedschap mag uitsluitend worden aangesloten op een voeding met dezelfde spanning als aangegeven op het identificatieplaatje en werkt alleen op enkele-fase wisselstroom. Het gereedschap is dubbel geïsoleerd volgens de Europese norm en mag derhalve ook op een niet-geaard stopcontact worden aangesloten.

SPECIFIEKE VEILIGHEIDSVORSCHRIFTEN

GEB007-2

Laat u NIET misleiden door een vals gevoel van comfort en bekendheid met het gereedschap (na veelvuldig gebruik) en neem alle veiligheidsvoorschriften van de boorhamer altijd strikt in acht. Bij onveilig of verkeerd gebruik van het gereedschap, bestaat de kans op ernstig persoonlijk letsel.

1. **Draag gehoorbescherming.** Blootstelling aan harde geluiden kan leiden tot gehoorbeschadiging.
2. **Gebruik de hulphandgrepen die bij het gereedschap werden geleverd.** Als u de controle over het gereedschap verliest, kan dit leiden tot persoonlijk letsel.
3. **Houd elektrisch gereedschap vast aan het geïsoleerde oppervlak van de handgrepen wanneer u werkt op plaatsen waar het gereedschap met verborgen bedrading of zijn eigen snoer in aanraking kan komen.** Door contact met onder spanning staande draden, zullen de niet-geïsoleerde metalen delen van het gereedschap onder spanning komen te staan zodat de gebruiker een elektrische schok kan krijgen.
4. **Draag een veiligheidshelm, veiligheidsbril en/of gezichtsbescherming. Een gewone bril of een zonnebril is GEEN veiligheidsbril. Het wordt**

tevens sterk aanbevolen een stofmasker en dik gevoerde handschoenen te dragen.

- Controleer dat de boor stevig op zijn plaats is vastgezet voordat u het gereedschap gebruikt.
- Bij normale bediening behoort het gereedschap te trillen. De schroeven kunnen gemakkelijk losraken, waardoor een defect of ongeluk kan ontstaan.
Controleer of de schroeven goed zijn aangedraaid, alvorens het gereedschap te gebruiken.
- In koude weersomstandigheden of wanneer het gereedschap gedurende een lange tijd niet is gebruikt, laat u het gereedschap eerst opwarmen door het onbelast te laten werken. Hierdoor zal de smering worden verbeterd. Zonder degelijk opwarmen, zal de hamerwerking moeilijk zijn.
- Zorg er altijd voor dat u stevig staat. Zorg ervoor dat er niemand zich onder u bevindt wanneer u het gereedschap op een hoge plaats gebruikt.
- Houd het gereedschap met beide handen stevig vast.
- Houd uw handen uit de buurt van bewegende delen.
- Laat het gereedschap niet ingeschakeld liggen. Bedien het gereedschap alleen wanneer u het vasthoudt.
- Richt het gereedschap niet op iemand in de buurt terwijl het is ingeschakeld. De boor zou eruit kunnen vliegen en iemand ernstig verwonden.
- Raak de boor en onderdelen in de buurt van de boor niet onmiddellijk na gebruik aan. Zij kunnen bijzonder heet zijn en brandwonden op uw huid veroorzaken.
- Sommige materialen bevatten chemische stoffen die giftig kunnen zijn. Neem voorzorgsmaatregelen tegen het inademen van stof en contact met de huid. Volg de veiligheidsinstructies van de leverancier van het materiaal op.

BEWAAR DEZE INSTRUCTIES

WAARSCHUWING:
VERKEERD GEBRUIK of het niet volgen van de veiligheidsinstructies in deze gebruiksaanwijzing kan leiden tot ernstig persoonlijk letsel.

BESCHRIJVING VAN DE FUNCTIES

LET OP:

- Controleer altijd of het gereedschap is uitgeschakeld en de stekker uit het stopcontact is getrokken alvorens de functies van het gereedschap te controleren of af te stellen.

Aan/uit-schakelaar (zie afb. 1)

LET OP:

- Controleer altijd, voordat u de stekker in het stopcontact steekt, of de aan/uit-schakelaar op de juiste manier schakelt en weer terugkeert naar de uitstand nadat deze is losgelaten.

Om het gereedschap in te schakelen, knijpt u gewoon de aan/uit-schakelaar in. Laat de aan/uit-schakelaar los om het gereedschap te stoppen

De lampen inschakelen

Voor model HR3210FCT (zie afb. 2)

LET OP:

- Kijk niet rechtstreeks in het licht of naar de bron van de lamp.

Trek aan de aan/uit-schakelaar om de lamp in te schakelen. Laat de aan/uit-schakelaar los om de lamp uit te schakelen.

OPMERKING:

- Gebruik een doek om het vuil van de lens van de lamp te vegen.
Wees voorzichtig de lens van de lamp niet te bekrassen om de lichtopbrengst niet te verlagen.

De draaisnelheid veranderen (zie afb. 3)

Het aantal toeren en slagen per minuut kan worden ingesteld door de stelknop te draaien. De cijfers op de stelknop lopen van 1 (laagste draaisnelheid) tot en met 5 (hoogste draaisnelheid).

Raadpleeg onderstaande tabel voor het aantal toeren of slagen per minuut in iedere stand van de stelknop.

Cijfer op de stelknop	Aantal toeren per minuut	Aantal slagen/ minuut
5	630	3.300
4	590	3.100
3	480	2.500
2	370	1.900
1	315	1.650

LET OP:

- Als het gereedschap continu gedurende een lange tijd op lage snelheid wordt gebruikt, zal de motor overbelast raken waardoor een storing zal optreden.
- U kunt de stelknop alleen tot aan het cijfer 5 draaien en terug naar 1. Forceer de stelknop niet voorbij stand 5 of stand 1 omdat de stelknop hierdoor kapot kan gaan.

De snelwisselkop voor SDS-plus vervangen

Voor model HR3210FCT

De snelwisselkop voor SDS-plus kan eenvoudig worden vervangen door de snelwisselboorkop.

De snelwisselkop voor SDS-plus verwijderen (zie afb. 4)

LET OP:

- Haal altijd de boor eruit voordat u de snelwisselkop voor SDS-plus verwijdt.

Pak de wisselmof vast met uw duim en middelvinger, en trek in de richting van pijl 1. Terwijl u de wisselmof in die richting trekt, houdt u de boormof op zijn plaats met uw wijsvinger. Terwijl u de boormof zo vasthoudt, trekt u de snelwisselkop voor SDS-plus met een ruk in de richting van pijl 2.

De snelwisselboorkop aanbrengen (zie afb. 5)

Pak de wisselmof vast en plaats de snelwisselkop op de as van het gereedschap.


Zorg ervoor dat de snelwisselkop goed is vergrendeld door er enkele keren aan te trekken.

De werkingsfunctie selecteren

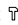
Roteren met hameren (zie afb. 6)

Voor het boren in beton, metselwerk, enz., drukt u de vastzetknop in en draait u de keuzeknop zodat de aanwijspunt naar het  symbool wijst. Gebruik een boor met een hardmetalen punt.

Alleen ronddraaien (zie afb. 7)

Voor het boren in hout, metaal of kunststof materialen, drukt u de vastzetknop in en draait u de keuzeknop zodat de aanwijspunt naar het  symbool wijst. Gebruik een spiraalboor of houtboor.

Alleen hameren (zie afb. 8)

Voor het beitelen, bikken of sloopwerkzaamheden, drukt u de vastzetknop in en draait u de keuzeknop zodat de aanwijspunt naar het  symbool wijst. Gebruik een rond boor, koudbeitel, bikbeitel, enz.

LET OP:

- Draai de keuzeknop niet terwijl het gereedschap onder belasting draait. Het gereedschap zal hierdoor worden beschadigd.
- Om snelle slijtage van het werkingsfunctie-omschakelmechanisme te voorkomen, zorgt u ervoor dat de keuzeknop altijd precies in een van de drie standen staat.

Koppelbegrenzer

De koppelbegrenzer treedt in werking wanneer de motor een bepaald koppel bereikt. De motor wordt dan ontkoppeld van de uitgangsas. Wanneer dit gebeurt, zal de boor ophouden met draaien.

LET OP:

- Schakel het gereedschap onmiddellijk uit wanneer de koppelbegrenzer in werking treedt. Hiermee helpt u vroegtijdige slijtage van het gereedschap voorkomen.

Lampjes (zie afb. 9)

Het groene bedrijfslampje licht op wanneer het gereedschap op het lichtnet is aangesloten. Als het bedrijfslampje niet brandt, kan het netsnoer beschadigd zijn of de schakeling defect. Als het bedrijfslampje brandt, maar het gereedschap niet start, zelfs niet wanneer de schakelaar in de aan-stand wordt gezet, kunnen de koolborstels versleten zijn, of kunnen de motor, de schakeling of de aan/uit-schakelaar defect zijn. Het rode onderhoudslampje gaat branden zodra de koolborstels bijna versleten zijn, om aan te geven dat de machine moet worden onderhouden. Na ongeveer 8 gebruiksuren, wordt de motor automatisch uitgeschakeld.

ONDERDELEN AANBRENGEN/ VERWIJDEREN

LET OP:

- Controleer altijd of het gereedschap is uitgeschakeld en de stekker uit het stopcontact is getrokken alvorens enige werk aan het gereedschap uit te voeren.

Zijgreep (zie afb. 10)

LET OP:

- Gebruik altijd de zijhandgreep zodat u veilig kunt werken bij het hamerboren in beton, metselwerk, enz.

De zijhandgreep kan worden gedraaid en op iedere zijkant worden gemonteerd zodat het gereedschap eenvoudig kan worden gehanteerd vanuit iedere positie. Draai de zijhandgreep los door deze linksom te draaien, verdraai deze naar de gewenste positie en zet hem weer vast door hem rechtsom te draaien.

De boor aanbrengen en verwijderen (zie afb. 11)

Reinig de boorschacht en smeer er borvet op alvorens de boor te installeren.

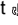
Steek de boor in het gereedschap. Draai de boor en duw hem naar binnen tot hij vergrendelt (**zie afb. 12**).

Als de boor niet naar binnen kan worden geduwd, haalt u de boor eruit. Trek de boormof enkel keren omlaag. Steek de boor daarna opnieuw naar binnen. Draai de boor en duw hem naar binnen tot hij vergrendelt.


Controleer na het aanbrengen altijd of de boor stevig in het gereedschap is bevestigd door te proberen hem eruit te trekken.

Om de boor te verwijderen, trekt u de boormof helemaal omlaag en trekt u de boor eruit (**zie afb. 13**).

Beitelhoek (bij beitelen, bikken of slopen) (zie afb. 14)

De beitel kan onder 24 verschillende hoeken worden vastgezet. Om de beitelhoek te veranderen, drukt u de vastzetknop in en draait u de omschakelknop naar het  symbool.

Draai de beitel naar de gewenste hoek.

Druk de vastzetknop in en draai de keuzeknop zodat de aanwijspunt naar het  symbool wijst. Controleer daarna of de beitel stevig op zijn plaats vastzit door deze iets te verdraaien.

Diepteaanslag (zie afb. 15)

De diepteaanslag is handig voor het boren van gaten van gelijke diepte. Draai de klemschroef los en stel de diepteaanslag in op de gewenste diepte. Draai na het instellen de klemschroef weer stevig vast.

OPMERKING:

- De diepteaanslag kan niet worden gebruikt in de positie waarbij deze tegen het tandwielhuis/motorhuis aanstoot.

Stofvanger (zie afb. 16)


Gebruik de stofvanger om te voorkomen dat stof op het gereedschap en op uzelf terecht komt wanneer u boven uw hoofd boort. Bevestig de stofvanger aan de boor zoals

aangegeven in de afbeelding. De diameter van de boren waaraan de stofvanger kan worden bevestigd is als volgt.

	Boordiameter
Stofvanger 5	6 mm - 14,5 mm
Stofvanger 9	12 mm - 16 mm

BEDIENING

Gebruik als boorhamer (zie afb. 17)

Draai de keuzeknop naar het  symbool.

Plaats de punt van de boor op de gewenste plaats waar geboord moet worden en trek vervolgens de schakelaar in. Forceer het gereedschap niet. Een lichte druk geeft de beste resultaten. Houd het gereedschap stevig vast en zorg dat het niet uitglijdt.

Oefen geen grotere druk uit wanneer het boorgat verstopt raakt met schilfertjes of metaaldeeltjes. Laat in zo'n geval het gereedschap langzaam lopen en verwijder de boor gedeeltelijk uit het boorgat. Wanneer dit verschillende keren wordt herhaald, zal het boorgat schoon worden en kunt u normaal verder boren.


LET OP:

- Wanneer de boor door het beton breekt of als de boor de bewapening in het beton raakt, kan het gereedschap gevaarlijk terugstaan. Zorg ervoor dat u uw evenwicht goed bewaart en stevig staat terwijl u het gereedschap met beide handen stevig vasthoudt om een eventuele, gevaarlijke terugslag op te kunnen vangen.

Luchtblazer (los verkrijgbaar) (zie afb. 18)

Gebruik na het boren het blaasbalgje om het stof uit het boorgat te blazen.

Beitelen, bikken en slopen (zie afb. 19)

Draai de keuzeknop naar het  symbool.


Houd het gereedschap met beide handen stevig vast.

Schakel het gereedschap in en oefen er enige kracht op uit zodat het gereedschap niet oncontroleerbaar in het rond springt. Het gereedschap werkt niet efficiënter als u grote druk op het gereedschap uitoefent.

Boren in hout of metaal (zie afb. 20 t/m 22)

Voor modellen HR3200C en HR3210C

Gebruik de los verkrijgbare boorkopmontage. Om deze te installeren, zie "Aanbrengen en verwijderen van de boor" op de vorige pagina.


Draai de keuzeknop zodat de aanwijspunt naar het  symbool wijst.

Voor model HR3210FCT

Gebruik de snelwisselboorkop als standaarduitrusting.

Om deze aan te brengen, zie "De snelwisselkop voor SDS-plus vervangen" op de vorige pagina.

Houd de ring op zijn plaats en draai de bus linksom om de klauwen in de boorkop te openen. Steek de boor zo ver mogelijk in de boorkop. Houd de ring stevig op zijn plaats en draai de bus rechtsom om de klauwen in de boorkop te sluiten. Om de boor te verwijderen, houdt u de ring op zijn plaats en draait u de bus linksom.


Draai de keuzeknop naar het  symbool.

U kunt gaten tot een diameter van 13 mm in metaal en tot een diameter van 32 mm in hout boren.

LET OP:

- Gebruik nooit "Ronddraaien met hameren" wanneer de snelwisselboorkop op het gereedschap is aangebracht. De snelwisselboorkop kan worden beschadigd.
- Het boren zal niet sneller verlopen als u hard op het gereedschap drukt. In feite zal dergelijk duwen alleen maar leiden tot beschadiging van de boor, verlagen van de prestaties van het gereedschap, en verkorten van de levensduur van het gereedschap.
- Op het moment dat het boorgat doorbreekt wordt een enorme draaikracht uitgeoefend op het gereedschap/ de boor. Houd het gereedschap stevig vast en let goed op wanneer de boor door het werkstuk breekt.
- Zet kleine werkstukken altijd vast in een bankschroef of soortgelijk bevestigingsmiddel.

Diamantkroonboren

Wanneer u werkzaamheden met diamantkroonboren uitvoert, moet u de keuzeknop altijd in de stand  voor "alleen ronddraaien" zetten.

LET OP:

- Als u werkzaamheden met diamantkroonboren uitvoert in de stand "ronddraaien met hameren" kan de diamantkroonboor beschadigd raken.

ONDERHOUD

LET OP:

- Zorg er altijd voor dat de machine is uitgeschakeld en de stekker uit het stopcontact is getrokken, voordat u een inspectie of onderhoud uitvoert.

Smeren

LET OP:

- Dit onderhoud mag alleen worden uitgevoerd door een door een erkend Makita-servicecentrum of de Makita-fabriek.

Het is niet nodig dit gereedschap iedere uur of iedere dag te smeren omdat het is uitgerust met een gesloten smeersysteem. Smeer het gereedschap iedere keer nadat de koolborstels zijn vervangen.

Laat het gereedschap enkele minuten werken om het op te warmen. Schakel het gereedschap uit en trek vervolgens de stekker uit het stopcontact. (Zie afb. 23)

Draai de vier schroeven los en haal de handgreep eraf.



Merk op dat de bovenste schroeven anders zijn dan de overige. (Zie afb. 24)

Koppel de stekker los door eraan te trekken. (Zie afb. 25)

Draai de twee schroeven op het deksel van de krukafdekking los en haal het deksel van krukafdekking eraf. (Zie afb. 26)

Draai de keuzeknop naar het  symbool, draai de vijf schroeven los en verwijder de krukafdekking. (Zie afb. 27)

LET OP:

- Verwijder de krukafdekking altijd alleen nadat de keuzeknop naar het  symbool is gedraaid. Verwijder het nooit met kracht zonder de keuzeknop naar het  symbool te draaien.

symbool te draaien. Als u dat niet doet, kan het gereedschap niet meer in elkaar worden gezet. (Zie afb. 28)

Plaats het gereedschap op een tafel met het boor-uiteinde omhoog gericht. Hierdoor kan het oude vet zich in de krukast verzamelen.

Veeg het oude vet aan de binnenkant weg en vervang dit door nieuw vet (30 g). Gebruik uitsluitend Makita-hamervet (los verkrijgbaar). Als u meer dan de aangegeven hoeveelheid vet bijvult (ong. 30 g), kan dit leiden tot een verkeerde hamerwerking of een defect van het gereedschap. Vul niet meer dan de aangegeven hoeveelheid vet bij.

LET OP:

- Wees voorzichtig dat u de stekker of draden niet beschadigt, met name tijdens het wegvegen van het oude vet.

Om het gereedschap weer in elkaar te zetten, volgt u de demontageprocedure in omgekeerde volgorde.

LET OP:

- Draai de schroeven van de krukafdekking niet te strak vast. De krukafdekking is van kunststof gemaakt en kan breken. (Zie afb. 29)

Sluit de stekker stevig aan en monteer de handgreep.

LET OP:

- Wees voorzichtig dat u de stekker of draden niet beschadigt, met name tijdens het monteren van de handgreep.

Om de VEILIGHEID en BETROUWBAARHEID van het gereedschap te handhaven, dienen alle reparaties, controle en vervanging van de koolborstels, onderhoud en afstellingen te worden uitgevoerd door een erkend Makita-servicecentrum, en altijd met gebruikmaking van originele Makita-vervangingsonderdelen.

ACCESSOIRES

LET OP:

- Deze accessoires of hulpstukken worden aanbevolen voor gebruik met het Makita-gereedschap dat in deze gebruiksaanwijzing wordt beschreven. Het gebruik van andere accessoires of hulpstukken kan gevaar voor persoonlijk letsel opleveren. Gebruik de accessoires of hulpstukken uitsluitend voor de aangegeven gebruiksdoeleinden.

Mocht u meer informatie willen hebben over deze accessoires, dan kunt u contact opnemen met uw plaatselijke Makita-servicecentrum.

- SDS-Plus boren met een hardmetalen punt
- Ronde bit
- Kroonboor
- Koudbeitel
- Diamantkroonboor
- Hamervet
- Bikbeitel
- Groefbeitel
- Boorkopmontage
- Boorkop S13
- Boorkop-adaptor

- Boorkopsleutel S13
- Bitvet
- Zijhandgreep
- Diepteaanslag
- Blaasbalgje
- Stofvanger
- Veiligheidsbril
- Kunststoffen draagdoos

Voor model HR3200C

Aleen voor Europese landen

Geluid

ENG102-1

Het standaard A-gewogen geluidsniveau zoals vastgesteld conform EN60745-2-6:

Geluidsdrukkniveau (L_{pA}): 89 dB (A)

Geluidsdrukkniveau (L_{WA}): 100 dB (A)

Onzekerheid (K): 3 dB (A)

Draag gehoorbescherming

Trillingen

De totale trilwaarde (triaxiale vectorsom) zoals vastgesteld volgens EN60745-2-6:

ENG215-1

Gebruikstoepassing: beitelen

Trillingsemisatie ($a_{h, CHeg}$): 12,5 m/s²

Onzekerheid (K): 1,5 m/s²

ENG303-1

Gebruikstoepassing: hamerboren in beton, 16 mm

diameter en 100 mm diepte

Trillingsemisatie ($a_{h, HD}$): 18 m/s²

Onzekerheid (K): 1,5 m/s²

ENG302-1

Gebruikstoepassing: boren in metaal

Trillingsemisatie ($a_{h, D}$): 2,5 m/s² of minder

Voor model HR3210C

Aleen voor Europese landen

Geluid

ENG102-1

Het standaard A-gewogen geluidsniveau zoals vastgesteld conform EN60745-2-6:

Geluidsdrukkniveau (L_{pA}): 89 dB (A)

Geluidsdrukkniveau (L_{WA}): 100 dB (A)

Onzekerheid (K): 3 dB (A)

Draag gehoorbescherming

Trillingen

De totale trilwaarde (triaxiale vectorsom) zoals vastgesteld volgens EN60745-2-6:

ENG215-1

Gebruikstoepassing: beitelen

Trillingsemisatie ($a_{h, CHeg}$): 7,5 m/s²

Onzekerheid (K): 1,5 m/s²

ENG303-1

Gebruikstoepassing: hamerboren in beton, 16 mm

diameter en 100 mm diepte

Trillingsemisatie ($a_{h, HD}$): 10 m/s²

Onzekerheid (K): 1,5 m/s²

ENG302-1

Gebruikstoepassing: boren in metaal

Trillingsemisatie ($a_{h, D}$): 2,5 m/s² of minder

Voor model HR3210FCT
Alleen voor Europese landen

Geluid ENG102-1

Het standaard A-gewogen geluidsniveau zoals vastgesteld conform EN60745-2-6:

Geluidsdruk niveau (L_{pA}): 88 dB (A)

Geluidsdruk niveau (L_{WA}): 99 dB (A)

Onzekerheid (K): 3 dB (A)

Draag gehoorbescherming

Trillingen

De totale trilwaarde (triaxiale vectorsom) zoals vastgesteld volgens EN60745-2-6:

ENG215-1

Gebruikstoepassing: beitelen

Trillingsemissie ($a_{h, CH_{eq}}$): 8 m/s²

Onzekerheid (K): 1,5 m/s²

ENG303-1

Gebruikstoepassing: hamerboren in beton, 16 mm diameter en 100 mm diepte

Trillingsemissie ($a_{h, HD}$): 10 m/s²

Onzekerheid (K): 1,5 m/s²

ENG302-1

Gebruikstoepassing: boren in metaal

Trillingsemissie ($a_{h, D}$): 2,5 m/s² of minder

EC-VERKLARING VAN CONFORMITEIT

Model; HR3200C, HR3210C, HR3210FCT ENH101-8

Wij verklaren onder eigen verantwoordelijkheid dat dit product voldoet aan de normen in de volgende documenten:

EN60745, EN55014 en EN61000 in overeenstemming met de richtlijnen van de Raad, 2004/108/EC en 98/37/EC.

CE 2007



Tomoyasu Kato
Directeur

Verantwoordelijke fabrikant:

Makita Corporation

3-11-8, Sumiyoshi-cho, Anjo, Aichi, JAPAN

Erkende vertegenwoordiger voor Europa:

Makita International Europe Ltd.

Michigan Drive, Tongwell, Milton Keynes, Bucks MK15 8JD, ENGELAND

Descripción y visión general

- | | | |
|---|---|------------------------------------|
| 1. Interruptor disparador | 10. Puntero | 20. Tapa contra el polvo |
| 2. Lámpara | 11. Palanca de cambio | 21. Bulbo de extracción |
| 3. Dial de ajuste | 12. Luz indicadora de encendido (verde) | 22. Adaptador de mandril |
| 4. Mandril de cambio rápido para SDS-plus | 13. Luz indicadora de servicio (roja) | 23. Mandril automático |
| 5. Cubierta de cambio | 14. Mango lateral | 24. Camisa |
| 6. Cubierta del mandril | 15. Espiga de la broca | 25. Anillo |
| 7. Husillo | 16. Grasa para brocas | 26. Tornillos |
| 8. Mandril de cambio rápido de broca | 17. Broca | 27. Conector |
| 9. Botón de bloqueo | 18. Calibre de profundidad | 28. Cubierta de la tapa del cárter |
| | 19. Tornillo de apriete | |

ESPECIFICACIONES

Modelo		HR3200C	HR3210C	HR3210FCT
Capacidades	Hormigón	Broca de punta de carburo de tungsteno		
		Broca		
	Acero		13 mm	
	Madera		32 mm	
Velocidad en vacío (min ⁻¹)		315 - 630		
Golpes por minuto		1.650 - 3.300		
Longitud total		398 mm		424 mm
Peso neto		4,4 kg	4,8 kg	5,0 kg
Clase de seguridad		II/II		

- Debido a nuestro programa continuo de investigación y desarrollo, las especificaciones aquí descritas están sujetas a cambios sin previo aviso.
- Nota: Las especificaciones pueden ser diferentes de un país a otro.

Símbolos

END201-4

Se utilizan los siguientes símbolos para el equipo. Asegúrese de que comprende su significado antes del uso.



..... Lea el manual de instrucciones.



..... DOBLE AISLAMIENTO

Uso previsto

ENE044-1

Esta herramienta está diseñada para perforar con percusión ladrillo, hormigón y piedra, así como para trabajos de cincelado.

Alimentación

ENF002-1

La herramienta debe conectarse solamente a una fuente de alimentación de la misma tensión que la indicada en la placa de características, y sólo puede funcionar con corriente alterna monofásica. El sistema de doble aislamiento de la herramienta cumple con las normas europeas y puede, por lo tanto, usarse también en tomacorrientes sin conductor de tierra.

NORMAS DE SEGURIDAD ESPECÍFICAS

GEB007-2

NO deje que la comodidad o la familiaridad con el producto (a base de utilizarlo repetidamente) sustituyan la estricta observancia de las normas de seguridad para el martillo rotativo. Si utiliza esta herramienta de forma no segura o incorrecta, puede sufrir graves daños corporales.

- Utilice protectores para los oídos.** La exposición al ruido puede producir pérdida auditiva.
- Utilice las empuñaduras auxiliares proporcionadas con la herramienta.** La pérdida de control puede ocasionar daños corporales.
- Sujete las herramientas eléctricas por las superficies de agarre aisladas al realizar una operación en que la herramienta de corte pueda entrar en contacto con cables ocultos o con su propio cable.** Si entra en contacto con un cable con corriente, las piezas metálicas expuestas se cargarán también de corriente y el operario puede recibir una descarga.
- Póngase un casco de seguridad, gafas de seguridad y/o una careta protectora. Las gafas normales o de sol NO son gafas de seguridad. También se recomienda encarecidamente que utilice una mascarilla antipolvo y guantes gruesos acolchados.**

5. **Asegúrese de que la broca esté firmemente sujeta en su lugar antes del uso.**
6. **En condiciones normales de funcionamiento, la herramienta está diseñada para producir vibraciones. Los tornillos pueden aflojarse fácilmente, con lo cual se puede averiar la herramienta o puede producirse un accidente. Compruebe que los tornillos estén bien apretados antes del uso.**
7. **Si hace frío o la herramienta no se ha utilizado durante un periodo prolongado, deje que se caliente la herramienta poniéndola en marcha en vacío. De este modo se facilitará la lubricación. Si no se calienta adecuadamente, se dificultará el martilleo.**
8. **Colóquese siempre en una posición bien equilibrada. Si utiliza la herramienta en una ubicación elevada, asegúrese de que nadie se encuentre debajo.**
9. **Sujete firmemente la herramienta con ambas manos.**
10. **Mantenga las manos alejadas de las piezas móviles.**
11. **No deje la herramienta encendida. Póngala en marcha solamente cuando la tenga en las manos.**
12. **No apunte la herramienta hacia ninguna persona que se encuentre en la zona durante su uso. La broca podría salir disparada y herir gravemente a alguien.**
13. **No toque la broca ni las piezas cercanas a ésta inmediatamente después de que hayan estado en funcionamiento; pueden estar extremadamente calientes y producir quemaduras en la piel.**
14. **Algunos materiales contienen sustancias químicas que pueden ser tóxicas. Procure evitar la inhalación de polvo y el contacto con la piel. Consulte la información de seguridad del proveedor del material.**

GUARDE ESTAS INSTRUCCIONES.

ADVERTENCIA:

El MAL USO o la inobservancia de las normas de seguridad expuestas en este manual de instrucciones pueden ocasionar graves daños corporales.

DESCRIPCIÓN DEL FUNCIONAMIENTO

PRECAUCIÓN:

- Asegúrese siempre de que la herramienta esté apagada y desenchufada antes de intentar realizar cualquier tipo de ajuste o comprobación en ella.

Funcionamiento del interruptor (Fig. 1)

PRECAUCIÓN:

- Antes de enchufar la herramienta, asegúrese siempre de que el interruptor disparador funcione como es debido y de que vuelva a la posición "OFF" (apagado) al soltarlo.

Para poner en marcha la herramienta, simplemente accione el interruptor disparador. Suelte el interruptor disparador para detener la herramienta.

Encender las lámparas

Para el modelo HR3210FCT (Fig. 2)

PRECAUCIÓN:

- No mire hacia la luz ni mire directamente hacia la fuente de luz.

Para encender la lámpara, tire del disparador. Suelte el disparador para apagarla.

NOTA:

- Utilice un paño seco para limpiar la suciedad del cristal de la lámpara. Procure no rayar el cristal de la lámpara, puesto que puede disminuir el grado de iluminación.

Cambio de velocidad (Fig. 3)

El número de revoluciones y golpes por minuto puede ajustarse girando el dial de regulación. El dial está marcado del 1 (velocidad mínima) al 5 (velocidad máxima).

Consulte la siguiente tabla para obtener información sobre la relación entre los números del dial y el número de revoluciones / golpes por minuto.

Número del dial	Revoluciones por minuto	Golpes por minuto
5	630	3.300
4	590	3.100
3	480	2.500
2	370	1.900
1	315	1.650

PRECAUCIÓN:

- Si la herramienta se utiliza constantemente a baja velocidad durante un tiempo prolongado, el motor se sobrecargará y la herramienta dejará de funcionar correctamente.
- El dial de regulación de la velocidad puede girarse hasta 5 y de vuelta hasta 1 solamente. No lo fuerce más allá de 5 ó 1, o la función de ajuste de velocidad podrá dejar de funcionar.

Cambio del mandril de cambio rápido para SDS-plus

Para el modelo HR3210FCT

El mandril de cambio rápido para SDS-plus se puede cambiar fácilmente por el mandril de cambio rápido de broca.

Extracción del mandril de cambio rápido para SDS-plus (Fig. 4)

PRECAUCIÓN:

- Antes de extraer el mandril de cambio rápido para SDS-plus, extraiga siempre la broca. Sujete la cubierta de cambio con el pulgar y el dedo medio y tire de ella en la dirección de la flecha 1. Tirando de la cubierta de cambio en esa dirección, sujete la


cubierta del mandril con el dedo índice. Mientras sujeta la cubierta del mandril de esa manera, tire del mandril de cambio rápido para SDS-plus en la dirección de la flecha 2 de un golpe.

Acoplamiento del mandril de cambio rápido de broca (Fig. 5)


Agarre la cubierta de cambio y coloque el mandril de cambio rápido de broca en el husillo de la herramienta. Asegúrese de que el mandril de cambio rápido de broca esté fijo tirando de él varias veces.

Selección del modo de acción


Giro con percusión (Fig. 6)

Para taladrar hormigón, ladrillo, etc. apriete el botón de bloqueo y gire la palanca de cambio hasta que el puntero señale al símbolo . Utilice una broca con punta de carburo de tungsteno.

Sólo giro (Fig. 7)

Para taladrar madera, metal o materiales plásticos, apriete el botón de bloqueo y gire la palanca de cambio hasta que el puntero señale al símbolo . Utilice una broca helicoidal o de madera.

Sólo percusión (Fig. 8)

Para trabajos de cincelado, desincrustación o demolición, apriete el botón de bloqueo y gire la palanca de cambio hasta que el puntero  señale al símbolo. Utilice un puntero, un cortafrío, un cincel de desincrustación, etc.

PRECAUCIÓN:

- No gire la palanca de cambio cuando la herramienta esté en marcha con carga ya que, de lo contrario, la herramienta se averiará.
- Para evitar el desgaste prematuro del mecanismo de cambio de modo, asegúrese siempre de que la palanca de cambio queda bien colocada en una de las tres posiciones de modo de acción.

Limitador de par de apriete

El limitador de par de apriete entra en acción cuando se alcanza un cierto nivel de par. El motor se desacoplará del eje de salida. Cuando esto suceda, la broca dejará de girar.

PRECAUCIÓN:

- Desconecte la herramienta tan pronto como actúe el limitador de par de apriete. Ello evitará que la herramienta se desgaste prematuramente.

Luz indicadora (Fig. 9)

La luz indicadora verde de encendido (ON) se enciende cuando se enchufa la herramienta. Si la luz indicadora no se enciende, puede que el cable de la corriente o el controlador estén averiados. Si la luz indicadora está encendida, pero la herramienta no se pone en marcha aunque esté encendida, puede que las escobillas de carbón estén desgastadas o que el controlador, el motor o el interruptor de encendido y apagado estén averiados. Cuando las escobillas están a punto de desgastarse por completo, la luz indicadora de servicio roja se ilumina para indicar que es necesario revisar la herramienta. Al

cabo de aproximadamente 8 horas de servicio, el motor se apagará automáticamente.

MONTAJE

PRECAUCIÓN:

- Asegúrese siempre de que la herramienta esté apagada y desenchufada antes de intentar realizar cualquier trabajo en ella.

Mango lateral (Fig. 10)

PRECAUCIÓN:

- Utilice siempre el mango lateral para garantizar la seguridad cuando taladre en hormigón, ladrillos, etc.

El mango lateral se puede girar a cualquier lado, lo que posibilita un cómodo agarre de la herramienta en cualquier posición. Afloje el mango lateral girándolo hacia la izquierda, colóquelo en la posición deseada y después apriételo girándolo hacia la derecha.

Instalación o extracción de la broca (Fig. 11)

Limpie la espiga de la broca y engrásela antes de montarla.

Introduzca la broca en la herramienta. Gírela y empújela hasta que se enclave. (Fig. 12)


Si la broca no entra, extráigala. Desplace la cubierta del mandril un par de veces hacia abajo. Vuelva a introducir la broca. Gírela y empújela hasta que se enclave.

Después de la instalación, asegúrese siempre de que la broca esté bien sujeta en su lugar; para ello, intente sacarla.


Para extraer la broca, desplace la cubierta del mandril lo máximo hacia abajo y tire de la broca hacia fuera.

(Fig. 13)

Ángulo de la broca (cincelado, desincrustación o demolición) (Fig. 14)

La broca puede fijarse en 24 ángulos diferentes. Para cambiarlo, apriete el botón de bloqueo y coloque la palanca de cambio de forma que el puntero señale al símbolo .

Gire la broca al ángulo requerido.

Apriete el botón de bloqueo y coloque la palanca de cambio de forma que el puntero señale al símbolo . Compruebe que la broca ha quedado bien sujeta; para ello, gírela ligeramente.

Calibre de profundidad (Fig. 15)

El calibre de profundidad es muy útil para realizar agujeros de profundidad uniforme. Afloje el tornillo de apriete y ajuste el calibre de profundidad en la profundidad deseada. Tras el ajuste, apriete firmemente el tornillo de apriete.

NOTA:

- No se puede usar el calibre de profundidad en la posición en la que golpea contra el alojamiento del engranaje / motor.

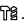
Tapa contra el polvo (Fig. 16)

Cuando realice operaciones de perforación a una altura por encima de la cabeza, utilice la tapa contra el polvo para impedir que el polvo le caiga encima. Sujete la tapa contra el polvo a la broca tal como indica la figura. Las distintas tapas contra el polvo pueden fijarse a brocas del siguiente tamaño.

	Diámetro de la broca
Tapa contra el polvo 5	6 mm - 14,5 mm
Tapa contra el polvo 9	12 mm - 16 mm

MANEJO

Función de perforación con percusión (Fig. 17)

Coloque la palanca de cambio al símbolo . Coloque la broca en el lugar donde desee practicar el orificio y, a continuación, presione el interruptor disparador. No fuerce la herramienta. Los mejores resultados se obtienen cuando se ejerce una presión suave. Mantenga la herramienta en posición y evite que se desplace fuera del orificio. No ejerza más presión cuando el orificio se obstruya con restos o partículas de materiales. Pare la herramienta y, a continuación, extraiga la broca parcialmente del orificio. Repita esta operación varias veces hasta que el orificio se limpie y pueda reanudar la perforación.


PRECAUCIÓN:

- Cuando la broca empieza a romper el hormigón o cuando entra en contacto con las barras de refuerzo del hormigón la herramienta podría reaccionar peligrosamente. A fin de evitar reacciones peligrosas, colóquese en una posición que le permita mantener bien el equilibrio con los pies bien colocados y sujete la herramienta firmemente con ambas manos.

Bulbo de extracción (accesorio opcional) (Fig. 18)


Tras perforar el orificio, utilice el bulbo de extracción para quitar el polvo y los restos de materiales del orificio.

Cincelado/desincrustación/demolición (Fig. 19)

Coloque la palanca de cambio al símbolo . Sujete firmemente la herramienta con ambas manos. Encienda la herramienta y aplique una ligera presión sobre ella para evitar que rebote sin control. Apretar demasiado la herramienta no aumenta la eficacia.

Perforación en madera o metal (Fig. 20 y 22)

Para los modelos HR3200C y HR3210C

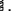
Utilice el conjunto de mandril opcional. Cuando lo instale, consulte "Instalación o extracción de la broca", descrito en la página anterior. Ajuste la palanca de cambio para que el puntero señale al símbolo .

Para el modelo HR3210FCT

Utilice el mandril de cambio rápido de broca como equipo estándar.

Cuando lo instale, consulte "cambio del mandril de cambio rápido para SDS-plus" descrito en la página anterior.

Sujete la anilla y gire la camisa a la izquierda para abrir las mordazas del mandril. Inserte completamente la broca o la punta del destornillador en el mandril. Sujete la anilla con fuerza y gire la camisa a la derecha para sujetar el mandril. Para extraer la broca o la punta del destornillador, sujete la anilla y gire la camisa a la izquierda.


Coloque la palanca de cambio al símbolo .

Puede perforar un diámetro máximo de 13 mm en metal y de 32 mm en madera.

PRECAUCIÓN:

- No utilice el "giro con percusión" si el mandril de cambio rápido de broca está montado en la herramienta. El mandril de cambio rápido de broca puede dañarse.
- Apretar la herramienta en exceso no acelerará la perforación. De hecho, esta presión excesiva sólo servirá para dañar la punta de la broca, reducir el rendimiento de la herramienta y acortar su vida útil.
- En el momento de realizar el orificio, se ejerce una presión de giro enorme sobre la herramienta y la broca. Sujete firmemente la herramienta y tenga mucho cuidado cuando la broca empieza a perforar el material.
- Sujete siempre las piezas de trabajo pequeñas en una prensa de tornillo o un dispositivo de sujeción similar.

Taladrado con la broca de diamante

Cuando realice operaciones de perforación con brocas de punta de diamante, coloque siempre la palanca de cambio en la posición  para girar solamente.

PRECAUCIÓN:

- Si realiza operaciones de perforación con una broca de punta de diamante utilizando el "giro con percusión", la broca de punta de diamante puede resultar dañada.

MANTENIMIENTO

PRECAUCIÓN:

- Asegúrese siempre de que la herramienta esté apagada y desenchufada antes de intentar realizar cualquier trabajo de inspección o mantenimiento en ella.

Lubricación

PRECAUCIÓN:

- Las intervenciones deben ser realizadas únicamente por un centro autorizado o un centro de servicio técnico de Makita.

Esta herramienta no requiere lubricación por horas ni diaria, porque tiene un sistema de lubricación constante con grasa. Lubrique la herramienta siempre que cambie las escobillas de carbón.

Haga funcionar la herramienta durante varios minutos para que se caliente. Apague y desenchufe la herramienta. (Fig. 23)

Afloje los cuatro tornillos y extraiga la empuñadura.

Tenga en cuenta que los tornillos superiores son diferentes del resto. (Fig. 24)

Tire de ellos para desconectar el conector. (Fig. 25)

Afloje los dos tornillos de la cubierta de la tapa del cárter y extraígalas. (Fig. 26)

Alinee la palanca de cambio con el símbolo Δ , afloje los cinco tornillos y, a continuación, extraiga la tapa del cárter. (Fig. 27)

PRECAUCIÓN:

- Extraiga siempre la tapa del cárter sólo tras alinear la palanca de cambio con el símbolo Δ . Nunca la extraiga por la fuerza sin alinear la palanca de cambio con el símbolo Δ . En caso contrario no se podrá volver a montar. (Fig. 28)

Haga descansar la herramienta sobre la mesa con la barrena apuntando hacia arriba. De esta manera la grasa antigua se depositará en el alojamiento del cárter.

Limpie la grasa antigua y reemplácela con grasa nueva (30 g). Utilice sólo grasa original Makita para martillos (accesorio opcional). Si se añade más grasa de la especificada (aprox. 30 g), puede que haya problemas en el martilleo o que se averíe la herramienta. Añada sólo la cantidad especificada de grasa.

PRECAUCIÓN:

- Tenga cuidado de no dañar el conector o los conductores, especialmente al limpiar restos de grasa.

Para volver a montar la herramienta, siga el procedimiento de desmontaje en orden inverso.

PRECAUCIÓN:

- No apriete en exceso la tapa del cárter. Está fabricada en resina y podría romperse. (Fig. 29)

Conecte el conector firmemente y vuelva a montar la empuñadura.

PRECAUCIÓN:

- Tenga cuidado de no dañar el conector o los conductores, especialmente al montar la empuñadura.

Para conservar la SEGURIDAD y la FIABILIDAD del producto, los trabajos de reparación, la inspección y la sustitución de las escobillas de carbón, así como otros trabajos de mantenimiento y ajuste, deberán ser realizados en centros de servicio autorizados de Makita, utilizando siempre piezas de repuesto de Makita.

ACCESORIOS

PRECAUCIÓN:

- Se recomienda el uso de estos accesorios o complementos con la herramienta Makita especificada en este manual. El uso de otros accesorios o complementos puede conllevar el riesgo de ocasionar daños corporales. Utilice los accesorios o complementos solamente para su fin establecido.

Si necesita cualquier ayuda para obtener más información relativa a estos accesorios, pregunte al centro de servicio Makita local.

- Brocas con punta de carburo SDS-Plus
- Puntero

- Broca
- Cortafríos
- Broca de diamante
- Grasa para martillo
- Cíncel de desincrustación
- Cíncel para acanaladuras
- Conjunto de mandril
- Mandril S13
- Adaptador de mandril
- Llave del mandril S13
- Grasa para brocas
- Mango lateral
- Calibre de profundidad
- Bulbo de extracción
- Tapa contra el polvo
- Gafas de seguridad
- Maletín de plástico para el transporte

Para el modelo HR3200C

Sólo para los países europeos

Ruido

ENG102-1

Nivel de ruido típico de ponderación A establecido según EN60745-2-6:

Nivel de presión de sonido (L_{pA}): 89 dB (A)

Nivel de potencia de sonido (L_{WA}): 100 dB (A)

Incertidumbre (K): 3 dB (A)

Utilice protección para los oídos

Vibración

Valor total de vibración (suma de vectores triaxiales) establecido según EN60745-2-6:

ENG215-1

Modo de trabajo: función de cincelado

Emisión de vibraciones ($a_{h,CHeq}$): 12,5 m/s²

Incertidumbre (K): 1,5 m/s²

ENG303-1

Modo de trabajo: perforación con percusión en hormigón, 16 mm de diámetro y 100 mm de profundidad

Emisión de vibraciones ($a_{h,HD}$): 18 m/s²

Incertidumbre (K): 1,5 m/s²

ENG302-1

Modo de trabajo: taladrado en metal

Emisión de vibraciones ($a_{h,D}$): 2,5 m/s² o menos

Para el modelo HR3210C

Sólo para los países europeos

Ruido

ENG102-1

Nivel de ruido típico de ponderación A establecido según EN60745-2-6:

Nivel de presión de sonido (L_{pA}): 89 dB (A)

Nivel de potencia de sonido (L_{WA}): 100 dB (A)

Incertidumbre (K): 3 dB (A)

Utilice protección para los oídos

Vibración

Valor total de vibración (suma de vectores triaxiales) establecido según EN60745-2-6:

ENG215-1

Modo de trabajo: función de cincelado

Emisión de vibraciones ($a_{h,CHeq}$): 7,5 m/s²

Incertidumbre (K): 1,5 m/s²

ENG303-1

Modo de trabajo: perforación con percusión en hormigón, 16 mm de diámetro y 100 mm de profundidad
Emisión de vibraciones ($a_{h,HD}$): 10 m/s²
Incertidumbre (K): 1,5 m/s²

ENG302-1

Modo de trabajo: taladrado en metal
Emisión de vibraciones ($a_{h,D}$): 2,5 m/s² o menos

Para el modelo HR3210FCT

Sólo para los países europeos

Ruido

ENG102-1

Nivel de ruido típico de ponderación A establecido según EN60745-2-6:

Nivel de presión de sonido (L_{pA}): 88 dB (A)
Nivel de potencia de sonido (L_{WA}): 99 dB (A)
Incertidumbre (K): 3 dB (A)

Utilice protección para los oídos

Vibración

Valor total de vibración (suma de vectores triaxiales) establecido según EN60745-2-6:

ENG215-1

Modo de trabajo: función de cincelado
Emisión de vibraciones ($a_{h,CHeq}$): 8 m/s²
Incertidumbre (K): 1,5 m/s²

ENG303-1

Modo de trabajo: perforación con percusión en hormigón, 16 mm de diámetro y 100 mm de profundidad
Emisión de vibraciones ($a_{h,HD}$): 10 m/s²
Incertidumbre (K): 1,5 m/s²

ENG302-1

Modo de trabajo: taladrado en metal
Emisión de vibraciones ($a_{h,D}$): 2,5 m/s² o menos

DECLARACIÓN DE CONFORMIDAD DE LA CE

Modelo; HR3200C, HR3210C, HR3210FCT ENH101-8

Declaramos bajo nuestra exclusiva responsabilidad que este producto cumple con los siguientes estándares de documentos estandarizados;

EN60745, EN55014, EN61000 de acuerdo con las directivas del Consejo, 2004/108/CE, 98/37/CE.

CE 2007



Tomoyasu Kato
Director

Fabricante responsable:

Makita Corporation

3-11-8, Sumiyoshi-cho, Anjo, Aichi, JAPÓN

Representante autorizado en Europa:

Makita International Europe Ltd.

Michigan Drive, Tongwell, Milton Keynes, Bucks MK15 8JD, REINO UNIDO

PORTUGUÊS

Descrição geral

- | | | |
|--|--|------------------------------------|
| 1. Gatilho | 10. Ponteiro | 19. Parafuso de fixação |
| 2. Lâmpada | 11. Alavanca de comutação | 20. Recipiente de pó |
| 3. Manípulo de ajuste | 12. Lâmpada de indicação de ligado (verde) | 21. Fole |
| 4. Mandril de substituição rápida para brocas SDS-plus | 13. Lâmpada de indicação de serviço (vermelho) | 22. Adaptador de mandril |
| 5. Cobertura de substituição | 14. Apoio lateral | 23. Mandril de broca sem chave |
| 6. Tampa do mandril | 15. Haste da broca | 24. Manga |
| 7. Fuso | 16. Lubrificador da broca | 25. Anel |
| 8. Mandril de broca de substituição rápida | 17. Broca | 26. Parafusos |
| 9. Botão de bloqueio | 18. Medidor de profundidade | 27. Conector |
| | | 28. Cobertura da tampa da manivela |

ESPECIFICAÇÕES

Modelo		HR3200C	HR3210C	HR3210FCT
Capacidades	Betão	Broca com ponta de carboneto de tungsténio		
		Broca de coroa		
	Aço		13 mm	
	Madeira		32 mm	
Sem velocidade de rotação em carga (min. ⁻¹)		315 - 630		
Sopros por minuto		1.650 - 3.300		
Comprimento total		398 mm		424 mm
Peso líquido		4,4 kg	4,8 kg	5,0 kg
Classe de segurança		II/II		

- Devido à pesquisa e desenvolvimento constantes, estas especificações estão sujeitas a alteração sem aviso prévio.
- Nota: estas especificações podem diferir de país para país.

Símbolos

END201-4

Descrição dos símbolos utilizados no equipamento.

Certifique-se de que compreende o seu significado, antes da utilização.



..... Leia o manual de instruções.



..... ISOLAMENTO DUPLO

Utilização prevista

ENE044-1

Esta ferramenta é para perfuração com martelo e perfuração em tijolo, cimento ou pedra assim como para trabalhos de acabamento.

Fonte de alimentação

ENF002-1

A ferramenta apenas deve ser ligada a uma fonte de alimentação da mesma tensão que a indicada na chapa de especificações, e apenas pode funcionar com uma alimentação CA monofásica. Estão blindadas duplamente, de acordo com a Norma Europeia e podem, assim, ser igualmente ligadas a tomadas sem fio terra.

REGRAS DE SEGURANÇA ESPECÍFICAS

GEB007-2

NÃO deixe que o conforto ou a familiaridade com o aparelho (adquirida graças à experiência de utilização) substitua o comprimento absoluto das regras de segurança relativas a martelos rotativos. Se utilizar esta ferramenta de forma insegura ou incorrecta, poderá sofrer ferimentos graves.

1. **Use protecção para os ouvidos.** A exposição ao ruído pode provocar a perda de audição.
2. **Utilize as pegas auxiliares fornecidas com a ferramenta.** A perda de controlo pode provocar ferimentos pessoais.
3. **Segure nas ferramentas eléctricas pelas pegas revestidas e isoladas, quando efectuar uma operação em que a ferramenta de corte possa entrar em contacto com fios eléctricos ocultos ou com o próprio cabo de alimentação.** O contacto com um fio eléctrico ligado à corrente pode electrificar as peças de metal da ferramenta e causar um choque.
4. **Use um capacete de segurança, óculos de protecção e/ou visor de protecção.** Os óculos normais de visão ou os óculos escuros **NÃO** são óculos de segurança. É igualmente recomendável que use uma máscara de pó e luvas forradas grossas.

5. **Certifique-se que a broca fixa no lugar antes de a utilizar.**
6. **Em funcionamento normal, a ferramenta está concebida para produzir vibrações. Os parafusos podem soltar-se facilmente, podendo provocar danos ou um acidente.**
Verifique se os parafusos estão bem apertados antes de utilizar o aparelho.
7. **Em tempo frio ou quando a ferramenta não for usada durante muito tempo, deixe-a arrefecer durante um bocado antes de a utilizar sem carga. Isto melhora a lubrificação. Sem um arrefecimento correcto, o processo de martelagem pode tornar-se difícil.**
8. **Procure uma posição em pé estável e firme. Se utilizar a ferramenta em locais altos, verifique se não há ninguém por baixo.**
9. **Segure a ferramenta com firmeza, com as duas mãos.**
10. **Afaste as mãos das peças em movimento.**
11. **Não abandone a ferramenta a funcionar. Ponha-a a funcionar apenas quando estiver a segurá-la.**
12. **Não aponte a ferramenta a ninguém quando a estiver a utilizar. A broca pode soltar-se e ferir alguém seriamente.**
13. **Não toque numa broca nem nos seus componentes logo após a operação porque podem estar demasiado quentes.**
14. **Alguns materiais contêm produtos químicos que podem ser tóxicos. Tenha cuidado para evitar a inalação de pó e contacto com a pele. Siga as instruções de segurança do fornecedor do material.**

GUARDE ESTAS INSTRUÇÕES.

AVISO:

Uma UTILIZAÇÃO INCORRECTA ou o não cumprimento das regras de segurança indicadas neste manual de instruções poderão causar ferimentos graves.

DESCRIÇÃO DO FUNCIONAMENTO

PRECAUÇÃO:

- Certifique-se sempre de que a ferramenta está desligada no interruptor e da tomada antes de proceder a ajustes ou testes à mesma.

O gatilho/interruptor (Fig. 1)

PRECAUÇÃO:

- Antes de inserir a ficha da ferramenta na tomada, verifique se o gatilho está a funcionar correctamente e se volta à posição "OFF" quando o solta.

Para colocar a ferramenta em funcionamento prima o gatilho. Para parar a ferramenta, solte o gatilho.

Acender as lâmpadas

Para o modelo HR3210FCT (Fig. 2)

PRECAUÇÃO:

- Não olhe directamente para a luz da ferramenta.

Para acender a lâmpada, prima o gatilho. Para a apagar, solte o gatilho.

NOTA:

- Para limpar a lâmpada, utilize um tecido seco. Tenha cuidado para não riscar a lente da lâmpada, pois poderia diminuir a intensidade da iluminação.

Alteração da velocidade (Fig. 3)

As rotações e sopros por minuto podem ser ajustadas rodando o manípulo de ajuste. O manípulo está marcado de 1 (velocidade mínima) a 5 (velocidade máxima). Consulte a tabela em baixo para a verificar a relação entre a definição dos números no manípulo de regulação e as rotações/sopros por minuto.

Número no manípulo de ajuste	Rotações por minuto	Sopros por minuto
5	630	3.300
4	590	3.100
3	480	2.500
2	370	1.900
1	315	1.650

PRECAUÇÃO:

- Se a ferramenta fica em funcionamento contínuo a velocidades baixas por muito tempo, o motor fica sobrecarregado causando avaria no equipamento.
- O manípulo de regulação da velocidade apenas pode ser rodado até 5 ou 1. Não o force para lá de 5 ou 1, caso contrário a função de regulação da velocidade poderá deixar de funcionar.

Substituir o mandril de substituição rápida para brocas SDS-plus

Para o modelo HR3210FCT

O mandril de substituição rápida para brocas SDS-plus pode ser facilmente substituído pelo mandril de broca de substituição rápida.

Retirar o mandril de substituição rápida para brocas SDS-plus (Fig. 4)

PRECAUÇÃO:

- Antes de retirar o mandril de substituição rápida para brocas SDS-plus, retire sempre a broca primeiro. Segure na cobertura de substituição com o polegar e o dedo médio e puxe-a na direcção da seta 1. Com a cobertura de substituição puxada nessa direcção, segure na tampa do mandril com o indicador. Enquanto segura na tampa do mandril dessa forma, puxe para fora o mandril de substituição rápida para brocas SDS-plus na direcção da seta 2 de uma só vez.

Encaixar o mandril de broca de substituição rápida (Fig. 5)

Agarre na cobertura de substituição e coloque o mandril de broca de substituição rápida no fuso da ferramenta. Certifique-se de que o mandril de broca de substituição rápida está fixo, puxando-o várias vezes.

Seleccionar o modo de funcionamento

Rotação com martelo (Fig. 6)

Para perfurar em cimento, pedra, etc., prima o botão de bloqueio e rode o manípulo de mudança do modo de funcionamento para o símbolo . Utilize uma broca com ponta de carboneto de tungsténio.

Perfuração convencional (Fig. 7)

Para perfurar em madeira, metal ou plástico, prima o botão de bloqueio e rode o manípulo de mudança do modo de funcionamento para o símbolo . Utilize uma broca helicoidal ou uma broca para madeira.

Percussão (Fig. 8)

Para desbastar, desencrostar ou demolir, prima o botão de bloqueio e rode o manípulo de mudança do modo de funcionamento para o símbolo . Utilize uma ponta de cinzel, buril, cinzel de desbaste, etc.

PRECAUÇÃO:

- Não rode o manípulo de mudança quando a ferramenta está em funcionamento sobre carga. Pode avariar a ferramenta.
- Para evitar uma rápida deterioração no mecanismo de mudança de modo, certifique-se de que o manípulo de mudança do modo de funcionamento está sempre correctamente posicionado numa das três posições do modo de funcionamento.

Limitador de binário

O limitador de binário actua quando um denominado nível de binário é atingido. O motor desengata do veio de saída. Quando isto acontecer, a broca pára de girar.

PRECAUÇÃO:

- Assim que o limitador de binário actuar, desligue a ferramenta imediatamente. Isto ajuda a evitar uma deterioração prematura da ferramenta.

Lâmpada indicadora (Fig. 9)

A lâmpada indicadora verde de alimentação ligada, acende-se quando a ferramenta é ligada à tomada. Se a lâmpada indicadora não se acender, o cabo de alimentação ou a lâmpada indicadora podem estar avariados. Se a lâmpada indicadora se acender mas a ferramenta não se iniciar, mesmo que a ferramenta seja ligada, as escovas de carvão poderão estar gastas ou o motor ou interruptor podem estar avariados.

A lâmpada vermelha indicadora de serviço acende quando as escovas de carvão estão quase gastas, para indicar que a ferramenta precisa de manutenção. Depois de aproximadamente 8 horas de uso, o motor desliga-se automaticamente.

MONTAGEM

PRECAUÇÃO:

- Certifique-se sempre de que a ferramenta está desligada no interruptor e da tomada antes de efectuar qualquer trabalho na mesma.

Apoio lateral (Fig. 10)

PRECAUÇÃO:

- Use sempre o apoio lateral para assegurar uma operação segura quando perfurar em cimento, pedra, etc.

O apoio lateral move-se para o outro lado, permitindo um fácil manuseamento da ferramenta em qualquer posição. Solte a pega lateral rodando-a no sentido contrário aos ponteiros do relógio, mova-a para a posição desejada e depois aperte-a rodando-a no sentido dos ponteiros do relógio.

Instalar ou retirar a broca (Fig. 11)

Limpe a haste da broca e aplique lubrificante na broca antes de a instalar.

Introduza a broca na ferramenta. Gire a broca e empurre-a até encaixar. (Fig. 12)

Se não a conseguir empurrar, retire-a. Puxe a tampa do mandril para baixo várias vezes. E introduza a broca novamente. Gire a broca e empurre-a até encaixar. Após instalar, certifique-se sempre de que a broca está bem fixa, tentando puxá-la para fora.

Para retirar a broca, puxe a tampa do mandril para baixo completamente e retire a broca. (Fig. 13)

Ângulo da broca (quando desbastar, desencrostar ou demolir) (Fig. 14)

A broca pode ser encaixada em 24 ângulos diferentes.

Para alterar o ângulo da broca, prima o botão de bloqueio e rode o manípulo de mudança do modo de funcionamento para o símbolo .

Rode a broca para o ângulo desejado.

Prima o botão de bloqueio e rode o manípulo de mudança até apontar para o símbolo . Certifique-se de que a broca está bem encaixada girando-a ligeiramente.

Medidor de profundidade (Fig. 15)

O medidor de profundidade é conveniente para perfurar buracos de profundidade uniforme. Solte a porca de fixação e ajuste o medidor de profundidade para a profundidade desejada. Após o ajuste, aperte a porca de fixação firmemente.

NOTA:

- O medidor de profundidade não pode ser usado na posição em que o medidor de profundidade fique contra o compartimento de velocidade/compartimento do motor.

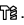
Recipiente de pó (Fig. 16)

Use o recipiente de pó para impedir que entre pó na ferramenta ou que lhe caia pó em cima ao efectuar perfurações na vertical. Encaixe o recipiente de pó na broca, tal como indicado na figura. O tamanho das brocas em que o recipiente de pó pode ser encaixado é apresentado a seguir.

	Diâmetro da broca
Recipiente de pó 5	6 mm - 14,5 mm
Recipiente de pó 9	12 mm - 16 mm

FUNCIONAMENTO

Perfuração com percussão (Fig. 17)

Ajuste o manípulo de mudança para o símbolo . Posicione a broca no ponto onde deseja efectuar a perfuração e prima o gatilho. Não force a ferramenta. Se aplicar uma leve pressão obterá melhores resultados. Concentre-se em manter a ferramenta na posição correcta e não deixar que a broca saia do orifício. Não aplique mais pressão quando o orifício começar a ficar entupido com partículas do material perfurado. Em vez disso, coloque a ferramenta em compasso de espera e retire parcialmente a broca do orifício. Repetindo este processo várias vezes, manterá o orifício limpo e uma perfuração normal.


PRECAUÇÃO:

- Quando a broca começa a perfurar betão ou se a broca fulminar com muita força contra o cimento, a ferramenta pode tornar-se perigosa. Mantenha um bom equilíbrio com os pés firmes e em segurança enquanto segura a ferramenta firmemente com as duas mãos para evitar situações perigosas.

Fole (acessório opcional) (Fig. 18)

Depois de perfurado o orifício, utilize o fole para retirar o entulho e partículas.

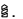
Desbastar/Desencrostar/Demolir (Fig. 19)

Ajuste o manípulo de mudança para o símbolo . Segure a ferramenta com firmeza, com as duas mãos. Ligue a ferramenta e aplique uma ligeira pressão na ferramenta, de forma a que a ferramenta não salte descontrolada. Premir a ferramenta com muita força não aumentará a eficiência.

Perfurar em madeira ou metal (Fig. 20 - 22)

Para o modelo HR3200C, HR3210C

Utilize o mandril de broca opcional. Quando o montar, consulte a secção "Instalar ou retirar a broca" descrita na página anterior.

Rode o manípulo de mudança do modo de funcionamento para o símbolo .

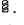
Para o modelo HR3210FCT

Utilize o mandril de broca de substituição rápida como um equipamento de série.

Quando o montar, consulte a secção "Substituir o mandril de substituição rápida para brocas SDS-plus" descrita na página anterior.

Segure o anel e rode a manga no sentido contrário ao dos ponteiros do relógio para abrir as garras do mandril.

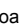
Introduza a broca no mandril, até ao fundo. Segure o anel com firmeza e rode a manga no sentido dos ponteiros do relógio para apertar o mandril. Para retirar a broca, segure o anel e rode a manga no sentido contrário ao dos ponteiros do relógio.

Ajuste o manípulo de mudança para o símbolo . Pode perfurar até 13 mm de diâmetro em metal e até 32 mm de diâmetro em madeira.

PRECAUÇÃO:

- Nunca utilize a função de "perfuração com percussão" quando o mandril de broca de substituição rápida estiver montado na ferramenta. Caso contrário, poderia danificar o mandril de broca de substituição rápida.
- Exercer muita força sobre a ferramenta não irá aumentar a velocidade de perfuração. Na verdade, o excesso de força acabará apenas por danificar a ponta da broca, reduzir o desempenho da ferramenta e diminuir o seu tempo de vida útil.
- No início da perfuração, é exercida uma enorme força de torção na broca e na própria ferramenta. Mantenha a ferramenta firme e concentre-se no posicionamento da broca.
- Quando trabalhar em peças pequenas, fixe-as num torno ou num dispositivo semelhante.

Perfuração com coroa de diamante

Quando executar perfurações com coroa de diamante, coloque sempre o manípulo de mudança do modo na posição  para usar a função de "perfuração convencional".

PRECAUÇÃO:

- Se efectuar perfurações com coroa de diamante utilizando a função de "perfuração com percussão", a broca de coroa de diamante pode ficar danificada.

MANUTENÇÃO

PRECAUÇÃO:

- Certifique-se sempre de que a ferramenta está desligada no interruptor e da tomada antes de inspecionar ou fazer a manutenção da ferramenta.

Lubrificação

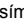
PRECAUÇÃO:

- Este serviço deve ser realizado apenas pela Makita Authorized ou Factory Service Centers.

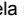
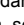
Esta ferramenta não necessita de lubrificação constante ou diária pois tem um sistema de lubrificação integrado. Lubrifique a ferramenta sempre que as escovas de carvão são substituídas.

Ligue a ferramenta durante alguns minutos para a aquecer. Desligue-a e retire a ficha da tomada. (Fig. 23) Solte os quatro parafusos e remova a pega. Note que os parafusos do topo são diferentes dos outros. (Fig. 24) Desligue o conector puxando-o. (Fig. 25)

Solte os dois parafusos na cobertura da tampa da manivela e retire a cobertura da tampa da manivela. (Fig. 26)

Alinhe o manípulo de mudança com o símbolo , solte os cinco parafusos e remova a tampa da manivela. (Fig. 27)

PRECAUÇÃO:

- Remova sempre a tampa da manivela unicamente depois de alinhar o manípulo de mudança com o símbolo . Nunca a remova à força, sem alinhar o manípulo de mudança com o símbolo . Caso contrário, não poderá voltar a montar. (Fig. 28)

Pouse a ferramenta na mesa com a broca apontada para cima. Isto permite que o lubrificante antigo se acumule dentro do compartimento da manivela.

Limpe o lubrificante antigo no interior e substitua-o por lubrificante novo (30 g). Use apenas lubrificante genuíno para martelos Makita (acessório opcional). Se encher com mais do que a quantidade de lubrificante especificada (aprox. 30 g) pode danificar o funcionamento do martelo ou da ferramenta. Encha apenas com a quantidade de lubrificante especificada.

PRECAUÇÃO:

- Tenha cuidado para não danificar o conector ou os fios, principalmente quando retirar o lubrificante usado.

Para montar a ferramenta, siga o procedimento inverso de desmontagem.

PRECAUÇÃO:

- Não aperte demasiado a tampa da manivela. É feito de resina e está sujeito a ruptura. **(Fig. 29)**

Ligue o conector com firmeza e reinstale a pega.

PRECAUÇÃO:

- Tenha cuidado para não danificar o conector ou os fios, principalmente quando instalar a pega.

Para manter os níveis de SEGURANÇA e FIABILIDADE, as reparações, inspecção e substituição das escovas de carvão e outras operações de manutenção ou ajuste devem ser executadas por centros de assistência Makita autorizados e, no caso de substituição de peças, estas devem ser igualmente peças originais Makita.

ACESSÓRIOS

PRECAUÇÃO:

- Os seguintes acessórios ou extensões são os recomendados para utilizar com a ferramenta Makita especificada neste manual. A utilização de outros acessórios ou extensões podem provocar ferimentos. Utilize cada acessório ou extensão apenas para o fim indicado.

Se precisar de informações adicionais relativas aos acessórios, contacte o centro local de assistência Makita.

- Brocas com ponta de carboneto SDS-Plus
- Ponta de cinzel
- Broca de coroa
- Buri
- Broca de coroa de diamante
- Lubrificante para o martelo
- Cinzel de desbaste
- Cinzel de ranhuração
- Mandril de broca
- Mandril de broca S13
- Adaptador de mandril
- Chave de mandril S13
- Lubrificante para brocas
- Apoio lateral
- Medidor de profundidade
- Fole
- Recipiente de pó
- Óculos protectores
- Mala de transporte de plástico

Para o modelo HR3200C

Apenas para os países europeus

Ruído

ENG102-1

Os níveis acústicos ponderados A típicos foram determinados segundo a EN60745-2-6:

Nível de pressão sonora (L_{pA}): 89 dB (A)

Nível de potência sonora (L_{WA}): 100 dB (A)

Imprecisão (K): 3 dB (A)

Use protecção para os ouvidos

Vibração

O valor total da vibração (soma vectorial triaxial) é determinado segundo a EN60745-2-6:

ENG215-1

Modo de trabalho: função de acabamento

Emissão de vibração ($a_{h,CHeq}$): 12,5 m/s²

Imprecisão (K): 1,5 m/s²

ENG303-1

Modo de trabalho: martelo para perfurar em cimento, 16 mm de diâmetro e 100 mm profundidade

Emissão de vibração ($a_{h,HD}$): 18 m/s²

Imprecisão (K): 1,5 m/s²

ENG302-1

Modo de trabalho: perfuração em metal

Emissão de vibração ($a_{h,D}$): 2,5 m/s² ou menos

Para o modelo HR3210C

Apenas para os países europeus

Ruído

ENG102-1

Os níveis acústicos ponderados A típicos foram determinados segundo a EN60745-2-6:

Nível de pressão sonora (L_{pA}): 89 dB (A)

Nível de potência sonora (L_{WA}): 100 dB (A)

Imprecisão (K): 3 dB (A)

Use protecção para os ouvidos

Vibração

O valor total da vibração (soma vectorial triaxial) é determinado segundo a EN60745-2-6:

ENG215-1

Modo de trabalho: função de acabamento

Emissão de vibração ($a_{h,CHeq}$): 7,5 m/s²

Imprecisão (K): 1,5 m/s²

ENG303-1

Modo de trabalho: martelo para perfurar em cimento, 16 mm de diâmetro e 100 mm profundidade

Emissão de vibração ($a_{h,HD}$): 10 m/s²

Imprecisão (K): 1,5 m/s²

ENG302-1

Modo de trabalho: perfuração em metal

Emissão de vibração ($a_{h,D}$): 2,5 m/s² ou menos

Para o modelo HR3210FCT

Apenas para os países europeus

Ruído

ENG102-1

Os níveis acústicos ponderados A típicos foram determinados segundo a EN60745-2-6:

Nível de pressão sonora (L_{pA}): 88 dB (A)

Nível de potência sonora (L_{WA}): 99 dB (A)

Imprecisão (K): 3 dB (A)

Use protecção para os ouvidos

Vibração

O valor total da vibração (soma vectorial triaxial) é determinado segundo a EN60745-2-6:

ENG215-1

Modo de trabalho: função de acabamento

Emissão de vibração ($a_{h,CHeg}$): 8 m/s^2

Imprecisão (K): $1,5 \text{ m/s}^2$

ENG303-1

Modo de trabalho: perfuração com percussão em betão, 16 mm de diâmetro e 100 mm de profundidade

Emissão de vibração ($a_{h,HD}$): 10 m/s^2

Imprecisão (K): $1,5 \text{ m/s}^2$

ENG302-1

Modo de trabalho: perfuração em metal

Emissão de vibração ($a_{h,D}$): $2,5 \text{ m/s}^2$ ou menos

DECLARAÇÃO DE CONFORMIDADE CE

Modelo; HR3200C, HR3210C, HR3210FCT ENH101-8

Declaramos, sob a nossa única responsabilidade, que este produto está em conformidade com as seguintes normas de documentos normalizados;

EN60745, EN55014, EN61000 em conformidade com as Directivas do Conselho, 2004/108/EC, 98/37/EC.

CE 2007



Tomoyasu Kato
Administrador

Fabricante responsável:

Makita Corporation

3-11-8, Sumiyoshi-cho, Anjo, Aichi, JAPÃO

Representante autorizado na Europa:

Makita International Europe Ltd.

Michigan Drive, Tongwell, Milton Keynes, Bucks MK15
8JD, INGLATERRA

Forklaring til generel oversigt

1. Kontaktgreb	11. Skiftearm	21. Udblæsningskolbe
2. Lampe	12. Indikatorlampe for strøm (grøn)	22. Borepatronadapter
3. Drejeknap til justering	13. Serviceindikatorlampe (rød)	23. Nøgleløs borepatron
4. Patron til hurtigskift til SDS-plus	14. Sidehåndtag	24. Muffe
5. Skifteholder	15. Værktøjsskaft	25. Ring
6. Patronholder	16. Smørelse til spids	26. Skruer
7. Spindel	17. Spids	27. Stik
8. Borepatron til hurtigskift	18. Dybdemåler	28. Krumtapdæksel
9. Låseknop	19. Tilspændingsskrue	
10. Pil	20. Støvopsamler	

SPECIFIKATIONER

Model		HR3200C	HR3210C	HR3210FCT
Kapaciteter	Beton	Spids med wolframkarbidforstærkning		32 mm
		Kernebor		90 mm
	Stål		13 mm	
	Træ		32 mm	
Hastighed uden belastning (min ⁻¹)		315 - 630		
Slag pr. minut		1.650 - 3.300		
Længde i alt		398 mm		424 mm
Nettovægt		4,4 kg	4,8 kg	5,0 kg
Sikkerhedsklasse		II/III		

- På grund af vores løbende forsknings- og udviklingsprogram kan specifikationerne heri ændres uden forudgående varsel.
- Bemærk: Specifikationerne kan variere fra land til land.

Symboler

END201-4

Følgende viser de symboler, der benyttes til udstyret. Vær sikker på, at De forstår deres betydning, før De bruger værktøjet.



..... Læs brugsanvisningen.



..... DOBBELT ISOLERET

Tilsigtet brug

ENE044-1

Den tilsigtede brug af dette værktøj er slagboring i mursten, beton og sten samt mejslingsarbejde.

Strømforsyning

ENF002-1

Værktøjet bør kun slutes til en strømforsyning med den spænding, der er angivet på navnepladen, og det kan kun benyttes med enkeltfasad vekselstrøm. Det er dobbelt isoleret i overensstemmelse med europæisk standard og kan derfor også slutes til stikkontakter uden jordforbindelse.

SPECIFIKKE SIKKERHEDSREGLER

GEB007-2

LAD IKKE tryghed eller kendskab til produktet (fra gentagen brug) føre til, at De ikke strengt overholder sikkerhedsreglerne for borehammeren. Hvis værktøjet anvendes på usikker eller forkert vis, kan De komme alvorligt til skade.

1. **Bær høreværn.** Udsættelse for støj kan medføre høreskader.
2. **Benyt de ekstra håndtag, der leveres med værktøjet.** Hvis De mister kontrollen, kan De komme til skade.
3. **Hold maskiner i de isolerede gribeflader, når De udfører arbejde, hvor skæreværktøjet kan komme i kontakt med skjulte ledninger eller værktøjets egen ledning.** Ved kontakt med strømførende ledninger bliver udsatte metaldele på værktøjet strømførende, hvorved operatøren kan få elektrisk stød.
4. **Bær hård hovedbeklædning (sikkerhedshjelm), beskyttelsesbriller og/eller ansigtsmaske. Almindelige briller eller solbriller er IKKE beskyttelsesbriller.** Det anbefales desuden kraftigt at bære støvmaske og kraftigt polstrede handsker.
5. **Kontroller, at spidsen sidder godt fast før brug.**
6. **Værktøjet er designet til at forårsage vibration ved normal brug.** Skruer kan nemt løsne sig og

medføre et nedbrud eller en ulykke.

Kontroller før brug, at skruerne sidder stramt.

- Under kolde forhold, eller når værktøjet ikke har været anvendt i længere tid, skal De lade værktøjet varme op et stykke tid ved at lade det køre i tomgang. Derved løsnes smøremidlet. Uden korrekt opvarmning kan betjening af hammeren være vanskelig.
- Sørg altid for at have et solidt fodfæste. Sørg for, at der ikke er nogen under Dem, når De benytter værktøjet på højtliggende steder.
- Hold godt fast i værktøjet med begge hænder.
- Hold hænderne på afstand af bevægelige dele.
- Gå ikke fra værktøjet, mens det kører. Lad kun værktøjet køre, mens De holder det i hænderne.
- Ret ikke værktøjet mod personer i nærheden, mens det kører. Spidsen kan flyve ud og forårsage alvorlig personskade.
- Bør ikke spidsen eller dele i nærheden af spidsen umiddelbart efter brugen. De kan være meget varme og kan forårsage forbrændinger af huden.
- Nogle materialer indeholder kemikalier, som kan være giftige. Undgå at indånde støv eller at få det på huden. Følg sikkerhedsinstruktionerne fra leverandøren af materialerne.

GEM DISSE INSTRUKTIONER.

ADVARSEL:

MISBRUG eller manglende overholdelse af sikkerhedsreglerne i denne brugsanvisning kan medføre alvorlig personskade.

FUNKTIONSBESKRIVELSE

FORSIGTIG:

- Sørg altid for, at værktøjet er slukket, og at stikket er taget ud af stikkontakten, før De justerer værktøjet eller kontrollerer dets funktion.

Betjening af kontakt (Fig. 1)

FORSIGTIG:

- Før værktøjet tilsluttes, skal De altid kontrollere, at kontaktgrebet reagerer korrekt og vender tilbage til "OFF"-stillingen, når De slipper det.

For at starte værktøjet skal De blot trykke på kontaktgrebet. Slip kontaktgrebet for at stoppe.

Tænding af lamperne

For model HR3210FCT (Fig. 2)

FORSIGTIG:

- Se ikke direkte ind i lyset eller lyskilden.

Træk i kontaktgrebet for at tænde lampen. Slip grebet for at slukke den.

BEMÆRK:

- Benyt en tør klud til at tørre snavs af lampens linse. Pas på ikke at ridse lampens linse, da det kan mindske lysstyrken.

Ændring af hastigheden (Fig. 3)

Antallet af omdrejninger og slag pr. minut kan justeres ved at dreje med drejeknappen. Drejeknappen har mærker fra 1 (laveste hastighed) til 5 (fuld hastighed).

Se i tabellen nedenfor for sammenhængen mellem talindstillingerne på drejeknappen og antallet af omdrejninger/slag pr. minut.

Nummer på drejeknappen	Omdrejninger pr. minut	Slag pr. minut
5	630	3.300
4	590	3.100
3	480	2.500
2	370	1.900
1	315	1.650

FORSIGTIG:

- Hvis værktøjet anvendes i længere tid ved lav hastighed, bliver motoren overbelastet, og værktøjet kan gå i stykker.
- Drejeknappen til hastighedsjustering kan kun drejes op til 5 og tilbage til 1. Prøv ikke at tvinge den forbi 5 eller 1, da hastighedsjusteringen ellers kan gå i stykker.

Udskiftning af patron til hurtigskift til SDS-plus

For model HR3210FCT

Det er let at skifte patronen til hurtigskift til SDS-plus ud med borepatronen til hurtigskift.

Afmontering af patron til hurtigskift til SDS-plus (Fig. 4)

FORSIGTIG:

- Fjern altid spidsen, før patronen til hurtigskift til SDS-plus afmonteres.

Hold skifteholderen med tommelfingeren og langfingeren, og træk den i retningen af pil 1. Hold i patronholderen med pegefingern, mens skifteholderen er trukket i denne retning. Mens patronholderen holdes på denne måde, trækkes patronen til hurtigskift til SDS-plus i retning af pil 2 i ét træk.


Montering af borepatronen til hurtigskift (Fig. 5)

Tag fat i skifteholderen, og placer borepatronen til hurtigskift på værktøjets spindel.

Sørg for, at borepatronen til hurtigskift sidder fast, ved at prøve at trække i den flere gange.


Valg af funktionstilstand

Rotation med slag (Fig. 6)


Ved boring i beton, murværk osv. skal låseknappen trykkes ned, og skiftearmen skal drejes, så pilen peger mod -symbolet. Brug en spids med wolframkarbidforstærkning.

Kun rotation (Fig. 7)

Ved boring i træ, metal eller plastikmaterialer skal låseknappen trykkes ned, og skiftearmen skal drejes, så

pilen peger mod -symbolet. Brug en snegleborsspids eller en træspids.

Kun slag (Fig. 8)

Ved mejslings-, afbanknings- eller nedrivningsbetjening skal låseknappen trykkes ned, og skiftearmen skal drejes, så pilen peger mod -symbolet. Brug en spidshammer, koldmejsel, afbankningsmejsel osv.

FORSIGTIG:

- Undlad at dreje skiftehåndtaget, mens værktøjet kører under belastning. Dette vil beskadige værktøjet.
- For at undgå hurtigt slid på mekanismen til funktionsskift skal De sikre Dem, at skiftearmen altid er sikkert placeret i en af de tre funktionspositioner.

Skridkoblingen

Skridkoblingen vil udløses, når et vist momentniveau nås. Motoren vil koble fra drivakslen. Når dette sker, holder spidsen op med at dreje rundt.

FORSIGTIG:

- Så snart skridkoblingen udløses, skal værktøjet slukkes med det samme. Dette vil hjælpe med til at forhindre, at værktøjet nedslides for tidligt.

Indikatorlampe (Fig. 9)

Den grønne indikatorlampe for strøm lyser, når værktøjet er sat i stikkontakten. Hvis indikatorlampen ikke tændes, er netledningen eller kontrollen muligvis defekte. Hvis indikatorlampen lyser, men værktøjet ikke starter, selvom der er tændt for værktøjet, er kulbørsterne muligvis slidt ned, eller motoren eller kontakten kan være defekte. Den røde indikatorlampe for service tændes, når kulbørsterne er ved at være slidt ned, for at angive, at der skal udføres service på værktøjet. Der slukkes automatisk for motoren efter cirka 8 timers brug.

MONTERING

FORSIGTIG:

- Sørg altid for, at værktøjet er slukket og taget ud af stikkontakten, før De udfører nogen form for arbejde på værktøjet.

Sidehåndtag (Fig. 10)

FORSIGTIG:

- Brug altid sidegrebet til at sikre betjeningssikkerheden ved boring i beton, murværk osv.

Sidegrebet kan svinges til begge sider, så det er let at betjene værktøjet i enhver stilling. Løsn sidegrebet ved at dreje det mod uret, vend det til den ønskede position, og stram det derefter ved at dreje det med uret.

Montering eller afmontering af spidsen (Fig. 11)

Rengør værktøjsskafte, og smør fedtstof på det, før spidsen monteres.

Sæt spidsen i værktøjet. Drej spidsen, og tryk den ind, indtil den går i indgreb. (Fig. 12).


Hvis spidsen ikke kan trykkes ind, skal den tages ud. Træk patronholderen ned et antal gange. Sæt derefter

spidsen i igen. Drej spidsen, og tryk den ind, indtil den går i indgreb.

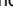
Efter montering skal De altid sikre Dem, at spidsen sidder godt fast, ved at forsøge at trække den ud.

For at udtage spidsen skal patrondækslet trækkes helt ned, hvorefter spidsen fjernes. (Fig. 13).

Vinkel på spids (under mejsling, afbankning eller nedrivning) (Fig. 14)

Spidsen kan fastgøres i 24 forskellige vinkler. Hvis De vil ændre vinklen på spidsen, skal De trykke låseknappen ned og dreje skiftearmen, så pilen peger mod -symbolet.

Drej spidsen til den ønskede vinkel.

Tryk låseknappen ned, og drej skiftearmen, så pilen peger mod -symbolet. Sørg derefter for, at spidsen holdes sikkert på plads, ved at dreje den en smule.

Dybdemåler (Fig. 15)

Dybdemåleren kan bruges til at bore huller, som har samme dybde. Løsn tilspændingsskruen, og juster dybdemåleren til den ønskede dybde. Stram skruen fast efter justeringen.

BEMÆRK:

- Dybdemåleren kan ikke bruges i den position, hvor dybdemåleren rammer gearhuset/motorhuset.

Støvopsamler (Fig. 16)

Brug støvopsamleren til at undgå, at støv falder ned over værktøjet og på Dem selv, når der bores over hovedet. Fastgør støvopsamleren til spidsen, sådan som det er vist i figuren. Størrelsen på spidserne, som støvopsamleren kan monteres på, er som følger.

	Værktøjsdiameter
Støvopsamler 5	6-14,5 mm
Støvopsamler 9	12-16 mm

BETJENING

Betjening ved slagboring (Fig. 17)

Indstil skiftearmen til -symbolet.

Placer spidsen på det sted, hvor hullet skal bores, og træk i kontaktgrebet. Brug ikke magt på værktøjet. Et let tryk giver det bedste resultat. Hold værktøjet på positionen, og undgå, at det glider væk fra hullet.

Anvend ikke mere tryk, når hullet bliver tilstoppet med spåner eller partikler. Lad i stedet værktøjet køre i tomgang, og tag spidsen delvist ud af hullet. Når De gentager denne fremgangsmåde flere gange, tømmer hullet, og De kan fortsætte med at bore.

FORSIGTIG:

- Når spidsen begynder at bryde gennem beton, eller hvis spidsen rammer armeringsjern i beton, kan værktøjet reagere på en farlig måde. Bevar en god balance og godt fodfæste, og hold godt fast i værktøjet med begge hænder for at forhindre farlige reaktioner.

Udblæsningskolbe (fås som tilbehør)

(Fig. 18)

Når huller er boret, kan De bruge udblæsningskolben til at fjerne støv fra huller.

Mejsling/afbankning/nedrivning (Fig. 19)


Indstil skiftearmen til -symbolet.

Hold godt fast i værktøjet med begge hænder. Tænd for værktøjet, og tryk let på værktøjet, så det ikke kommer ud af kontrol. Effektiviteten forøges ikke ved at trykke meget hårdt på værktøjet.

Boring i træ eller metal (Fig. 20 – 22)


For model HR3200C, HR3210C

Use the optional drill chuck assembly. Se “Montering og afmontering af spidsen” på forrige side, når den skal monteres.

Indstil skiftearmen, så pilen peger mod -symbolet.

For model HR3210FCT

Anvend borepatronen til hurtigskift som standardudstyr. Se “Udskiftning af patron til hurtigskift til SDS-plus” på forrige side, når den skal monteres.


Hold i ringen, og drej muffen mod uret for at åbne patronkæberne. Sæt spidsen i patronen, til den ikke kan komme længere ind. Hold godt fast i ringen, og drej muffen med uret for at stramme patronen. Hold fast i ringen, og drej muffen mod uret for at tage spidsen ud. Indstil skiftearmen til -symbolet.

Der kan bores med en diameter på op til 13 mm i metal og op til 32 mm i træ.

FORSIGTIG:

- Brug aldrig “rotation med slag”, når borepatronen til hurtigskift er monteret på værktøjet. Borepatronen til hurtigskift kan blive beskadiget.
- Boringen går ikke hurtigere, hvis De trykker hårdt på værktøjet. Det ekstra tryk vil blot beskadige spidsen, så værktøjets ydelse forringes, og dets levetid forkortes.
- Værktøjet og spidsen er under påvirkning af stærke vridningskræfter på det tidspunkt, hvor spidsen bryder igennem. Hold godt fast i værktøjet, og vær opmærksom, når spidsen begynder at bryde igennem arbejdsområdet.
- Fastgør altid små arbejdsstykker i en skruestik eller lignende udstyr til fastgørelse.

Boring med diamantkerne

Når der bores med diamantkerne, skal skiftearmen altid indstilles til -positionen for at benytte “kun rotation”.

FORSIGTIG:

- Hvis der bores med “rotation med slag”, kan diamantkerneboret blive beskadiget.

VEDLIGEHOLDELSE

FORSIGTIG:

- Sørg altid for, at værktøjet er slukket, og at stikket er taget ud, før De forsøger at udføre inspektion eller vedligeholdelse.

Smøring

FORSIGTIG:

- Denne service bør kun udføres af autoriserede Makita-servicecentre eller fabrikkensservicecentre.

Værktøjet kræver ikke smøring hver time eller hver dag, da det har et indbygget smøringssystem. Smør værktøjet, hver gang kulbørsterne udskiftes.

Lad værktøjet køre i flere minutter for at varme det op. Sluk for værktøjet, og tag stikket ud af stikkontakten.


(Fig. 23)

Løsn de fire skruer, og afmonter håndtaget. Bemærk, at de øverste skruer er forskellige fra de andre skruer.



(Fig. 24)

Tag stikket ud ved at trække i det. (Fig. 25).

Løsn de to skruer på krumtapdækslet, og fjern krumtapdækslet. (Fig. 26)

Indstil skiftearmen mod -symbolet, løsn de fem skruer, og fjern derefter krumtapdækslet. (Fig. 27)

FORSIGTIG:

- De må ikke fjerne krumtapdækslet, før skiftearmen er indstillet mod symbolet . Brug aldrig magt for at fjerne det uden at indstille skiftearmen mod -symbolet. Hvis De gør dette, kan det ikke monteres igen. (Fig. 28)

Placer værktøjet på bordet med spidsen opad. Derved samles gammelt smøremiddel inde i krumtaphuset.

Tør det gamle smøremiddel i huset bort, og udskift med frisk smøremiddel (30 g). Brug kun ægte Makita-hammerfedtstof (fås som tilbehør). Hvis der påfyldes mere end den angivne mængde fedtstof (cirka 30 g), kan det medføre forkert hammerfunktion, eller at værktøjet slet ikke fungerer. Påfyld kun den angivne mængde fedtstof.

FORSIGTIG:

- Pas på ikke at beskadige stikket eller ledningerne, især når De tørrer det gamle fedtstof bort.

Følg fremgangsmåden til afmontering i omvendt rækkefølge for at samle værktøjet igen.

FORSIGTIG:

- Undlad at stramme krumtapdækslet for hårdt. Det er fremstillet af harpiks og kan gå i stykker. (Fig. 29)

Sæt stikket fast i, og monter håndtaget igen.

FORSIGTIG:

- Pas på ikke at beskadige stikket eller ledningerne, især når De monterer håndtaget igen.

For at holde produktet SIKKERT og PÅLIDELIGT skal reparationer, kontrol og udskiftning af kulbørsterne samt al anden vedligeholdelse eller justering udføres af autoriserede Makita-servicecentre, der altid benytter Makita-reservedele.

TILBEHØR

FORSIGTIG:

- Dette tilbehør eller ekstraudstyr anbefales til brug med det Makita-værktøj, som er beskrevet i denne brugsanvisning. Brug af andet tilbehør eller ekstraudstyr kan forårsage personskade. Brug kun tilbehør eller ekstraudstyr til det formål, det er beregnet til.

Henvend Dem til Deres lokale Makita-servicecenter, hvis De har brug for hjælp eller yderligere oplysninger vedrørende tilbehøret.

- SDS-Plus karbidforstærkede spidser
- Spidshammer
- Kernebor
- Koldmejsel
- Diamantkernebor
- Hammerfedtstof
- Afbankningsmejsel
- Kanalmejsel
- Borepatronsæt
- Borepatron S13
- Patronadapter
- Patronnøgle S13
- Smørelse til spids
- Sidegreb
- Dybdemåler
- Udblæsningskolbe
- Støvsamler
- Sikkerhedsbriller
- Plastikbæretaske

For model HR3200C

Kun for lande i Europa

Støj

ENG102-1

Det typiske A-vægtede lydtrykniveau bestemt i overensstemmelse med EN60745-2-6:

Lydtrykniveau (L_{pA}): 89 dB (A)

Lydkraftniveau (L_{WA}): 100 dB (A)

Usikkerhed (K): 3 dB (A)

Bær høreværn

Vibration

Den samlede vibrationsværdi (treaksiel vektorsum) bestemt i overensstemmelse med EN60745-2-6:

ENG215-1

Arbejdstilstand: mejslingsfunktion

Vibrationsemission ($a_{h,CHeq}$): 12,5 m/s²

Usikkerhed (K): 1,5 m/s²

ENG303-1

Arbejdstilstand: slagboring i beton, 16 mm diameter og 100 mm dybde

Vibrationsemission ($a_{h,HD}$): 18 m/s²

Usikkerhed (K): 1,5 m/s²

ENG302-1

Arbejdstilstand: boring i metal

Vibrationsemission ($a_{h,D}$): 2,5 m/s² eller mindre

For model HR3210C

Kun for lande i Europa

Støj

ENG102-1

Det typiske A-vægtede lydtrykniveau bestemt i overensstemmelse med EN60745-2-6:

Lydtrykniveau (L_{pA}): 89 dB (A)

Lydkraftniveau (L_{WA}): 100 dB (A)

Usikkerhed (K): 3 dB (A)

Bær høreværn

Vibration

Den samlede vibrationsværdi (treaksiel vektorsum) bestemt i overensstemmelse med EN60745-2-6:

ENG215-1

Arbejdstilstand: mejslingsfunktion

Vibrationsemission ($a_{h,CHeq}$): 7,5 m/s²

Usikkerhed (K): 1,5 m/s²

ENG303-1

Arbejdstilstand: slagboring i beton, 16 mm diameter og 100 mm dybde

Vibrationsemission ($a_{h,HD}$): 10 m/s²

Usikkerhed (K): 1,5 m/s²

ENG302-1

Arbejdstilstand: boring i metal

Vibrationsemission ($a_{h,D}$): 2,5 m/s² eller mindre

For model HR3210FCT

Kun for lande i Europa

Støj

ENG102-1

Det typiske A-vægtede lydtrykniveau bestemt i overensstemmelse med EN60745-2-6:

Lydtrykniveau (L_{pA}): 88 dB (A)

Lydkraftniveau (L_{WA}): 99 dB (A)

Usikkerhed (K): 3 dB (A)

Bær høreværn

Vibration

Den samlede vibrationsværdi (treaksiel vektorsum) bestemt i overensstemmelse med EN60745-2-6:

ENG215-1

Arbejdstilstand: mejslingsfunktion

Vibrationsemission ($a_{h,CHeq}$): 8 m/s²

Usikkerhed (K): 1,5 m/s²

ENG303-1

Arbejdstilstand: slagboring i beton, 16 mm i diameter og 100 mm i dybden

Vibrationsemission ($a_{h,HD}$): 10 m/s²

Usikkerhed (K): 1,5 m/s²

ENG302-1

Arbejdstilstand: boring i metal

Vibrationsemission ($a_{h,D}$): 2,5 m/s² eller mindre

EU-ERKLÆRING VEDRØRENDE OVERHOLDELSE AF STANDARDSER

Model: HR3200C, HR3210C, HR3210FCT ENH101-8

Vi erklærer og tager det fulde ansvar for, at produktet overholder følgende standarder i standardiseringsdokumenterne EN60745, EN55014, EN61000 i overensstemmelse med Rådets direktiver 2004/108/EC, 98/37/EC.

CE 2007



Tomoyasu Kato
Direktør

Ansvarlig producent:

Makita Corporation

3-11-8, Sumiyoshi-cho, Anjo, Aichi, JAPAN

Autoriseret repræsentant i Europa:

Makita International Europe Ltd.

Michigan Drive, Tongwell, Milton Keynes,
8JD, ENGLAND

Γενική περιγραφή

- | | | |
|--|----------------------------------|----------------------------------|
| 1. Σκανδάλη-διακόπτης | 10. Δείκτης | 19. Βίδα σύσφιξης |
| 2. Λάμπα | 11. Μοχλός αλλαγής | 20. Κύπελλο σκόνης |
| 3. Επιλογέας ρύθμισης | 12. Ενδεικτική λυχνία | 21. Φυσητήρι |
| 4. Κεφαλή ταχείας αλλαγής για SDS-plus | ANAMMENOY (πράσινη) | 22. Προσαρμογέας κεφαλής |
| 5. Κάλυμμα αλλαγής | 13. Ενδεικτική λυχνία συντήρησης | 23. Κεφαλή δράπανου χωρίς κλειδί |
| 6. Κάλυμμα κεφαλής | (κόκκινη) | 24. Περιβλήμα |
| 7. Άτρακτος | 14. Πλαϊνή λαβή | 25. Δακτύλιος |
| 8. Κεφαλή δραπάνου ταχείας αλλαγής | 15. Κολάρο μύτες | 26. Βίδες |
| 9. Κουμπί κλειδώματος | 16. Γράσο για μύτες | 27. Συνδετήρας |
| | 17. Μύτη | 28. Κάλυμμα καπακιού στροφάλου |
| | 18. Μετρητής βάθους | |

ΠΡΟΔΙΑΓΡΑΦΕΣ

Μοντέλο		HR3200C	HR3210C	HR3210FCT
Χωρητικότητα	Τοιμέντο	Μύτη με άκρο βολφραμίου-καρβιδίου	32 χλστ	
		Πυρηνοληπτική μύτη	90 χλστ	
	Ατσάλι		13 χλστ	
	Ξύλο		32 χλστ	
Ταχύτητα χωρίς φορτίο (λεπτό ⁻¹)		315 - 630		
Κρουσίες το λεπτό		1.650 - 3.300		
Ολικό μήκος		398 χλστ		424 χλστ
Καθαρό βάρος		4,4 κιλά	4,8 κιλά	5,0 κιλά
Τάξη ασφάλειας		☐/II		

- Λόγω του συνεχόμενου προγράμματος που εφαρμόζουμε για έρευνα και ανάπτυξη, τα τεχνικά χαρακτηριστικά στο παρόν έντυπο υπόκεινται σε αλλαγή χωρίς προειδοποίηση.
- Σημείωση: Τα τεχνικά χαρακτηριστικά ενδέχεται να διαφέρουν ανάλογα με τη χώρα.

Σύμβολα

END201-4

Παρακάτω παρουσιάζονται τα σύμβολα που χρησιμοποιούνται για τον εξοπλισμό. Βεβαιωθείτε ότι κατανοείτε τη σημασία τους πριν από τη χρήση.



..... Διαβάστε το εγχειρίδιο οδηγιών.



..... ΔΙΠΛΗ ΜΟΝΩΣΗ

Προοριζόμενη χρήση

ENE044-1

Το εργαλείο προορίζεται για κρουστικό τρυπάνισμα σε τούβλα, τοιμέντο και πέτρα, καθώς και για καλέμισμα.

Ηλεκτρική παροχή

ENF002-1

Το εργαλείο πρέπει να συνδέεται μόνο σε ηλεκτρική παροχή της ίδιας τάσης με αυτήν που αναγράφεται στην πινακίδα ονομαστικών τιμών και μπορεί να λειτουργήσει μόνο με εναλλασσόμενο μονοφασικό ρεύμα. Τα εργαλεία αυτά διαθέτουν διπλή μόνωση που συμμορφώνεται με τα ευρωπαϊκά πρότυπα και συνεπώς μπορούν να συνδεθούν με πρίζες χωρίς γείωση.

ΕΙΔΙΚΟΙ ΚΑΝΟΝΕΣ ΑΣΦΑΛΕΙΑΣ

GEB007-2

ΜΗΝ αφήσετε την άνεση ή την εξοικειωσή σας με το προϊόν (που αποκτήθηκε από επανειλημμένη χρήση) να αντικαταστήσει την αυστηρή προσηλωση στους κανόνες ασφαλείας του περιστροφικού σφυροδράπανου. Εάν χρησιμοποιήσετε αυτό το εργαλείο με ανασφαλές ή λανθασμένο τρόπο, ενδέχεται να υποστείτε σοβαρό τραυματισμό.

1. **Να φοράτε ωτοασπίδες.** Η έκθεση σε θόρυβο μπορεί να προκαλέσει απώλεια ακοής.
2. **Να χρησιμοποιείτε τις βοηθητικές λαβές που παρέχονται με το εργαλείο.** Η απώλεια του ελέγχου μπορεί να προκαλέσει προσωπικό τραυματισμό.
3. **Να κρατάτε τα ηλεκτρικά εργαλεία από τις λαβές με μόνωση όταν εκτελείτε μια εργασία κατά την οποία το κοπτικό εργαλείο μπορεί να έρθει σε επαφή με κρυμμένα καλώδια ή με το ίδιο του το καλώδιο.** Αν το εργαλείο έρθει σε επαφή με κάποιο ηλεκτροφόρο καλώδιο, μπορεί τα εκτεθειμένα μεταλλικά μέρη του εργαλείου να γίνουν κι αυτά ηλεκτροφόρα και να προκληθεί ηλεκτροπληξία στο χειριστή.
4. **Να φοράτε ένα σκληρό καπέλο (κράνος ασφάλειας), γυαλιά ασφάλειας ή/και προσωπίδα. Τα συνηθισμένα γυαλιά ηλίου ΔΕΝ αποτελούν**

γυαλιά ασφαλείας. Συνιστάται επίσης ένθερμα να φοράτε προσωπίδα κατά της σκόνης και γάντια με παχιά επένδυση.

5. Πριν θέσετε το εργαλείο σε λειτουργία, βεβαιωθείτε ότι η μύτη είναι ασφαλισμένη στη θέση της.
6. Σε κανονικές συνθήκες λειτουργίας, το εργαλείο είναι σχεδιασμένο να παράγει κραδασμούς. Οι βίδες μπορούν εύκολα να ξεβιδωθούν και να προκληθεί καταστροφή του εργαλείου ή ατύχημα. Πριν θέσετε το εργαλείο σε λειτουργία, ελέγξτε αν οι βίδες είναι σφιγμένες.
7. Όταν έχει κρύο καιρό ή όταν δεν έχετε χρησιμοποιήσει το εργαλείο για μεγάλη χρονική περίοδο, αφήστε το εργαλείο να λειτουργήσει για λίγη ώρα χωρίς φόρτο. Με αυτό το τρόπο θα κυκλοφορήσει η λίπανση. Αν δεν γίνει σωστό ζέσταμα, θα υπάρχει δυσκολία στη λειτουργία σφηνλάττησης.
8. Να βεβαιώνετε πάντοτε ότι στέκεστε σταθερά. Όταν χρησιμοποιείτε το εργαλείο σε υψηλές τοποθεσίες, να βεβαιώνετε ότι δεν βρίσκεται κανένας από κάτω.
9. Να κρατάτε το εργαλείο γερά και με τα δύο χέρια.
10. Μην πλησιάζετε τα χέρια σας σε κινούμενα μέρη.
11. Μην αφήνετε το εργαλείο σε λειτουργία. Το εργαλείο πρέπει να βρίσκεται σε λειτουργία μόνο όταν το κρατάτε.
12. Όταν το εργαλείο βρίσκεται σε λειτουργία, μην το στρέψετε προς την κατεύθυνση κανενός ατόμου που βρίσκεται στην περιοχή. Η μύτη μπορεί να εκτοξευτεί και να προκληθεί σοβαρός τραυματισμός σε άλλο άτομο.
13. Μην αγγίζετε τη μύτη ή τα μέρη που βρίσκονται κοντά στη μύτη αμέσως μετά τη λειτουργία του εργαλείου. Μπορεί να είναι εξαιρετικά θερμά και να προκληθεί έγκαυμα στο δέρμα σας.
14. Μερικά υλικά περιέχουν χημικά που μπορεί να είναι τοξικά. Προσέχετε ώστε να αποφεύγετε την εισπνοή σκόνης και την επαφή με το δέρμα. Ακολουθείτε τις οδηγίες ασφαλείας υλικού που παρέχονται από τον προμηθευτή.

ΦΥΛΑΞΤΕ ΑΥΤΕΣ ΤΙΣ ΟΔΗΓΙΕΣ.

ΠΡΟΕΙΔΟΠΟΙΗΣΗ:

Η ΛΑΝΘΑΣΜΕΝΗ ΧΡΗΣΗ ή η μη τήρηση των κανόνων ασφαλείας που διατυπώνονται στο παρόν εγχειρίδιο οδηγιών μπορεί να προκαλέσει σοβαρό τραυματισμό.

ΠΕΡΙΓΡΑΦΗ ΛΕΙΤΟΥΡΓΙΑΣ

ΠΡΟΣΟΧΗ:

- Να βεβαιώνετε πάντοτε ότι το εργαλείο είναι σβηστό και αποσυνδεδεμένο από το ηλεκτρικό ρεύμα πριν ρυθμίζετε ή ελέγχετε κάποια λειτουργία του.

Δράση διακόπτη (Εικ. 1)

ΠΡΟΣΟΧΗ:

- Πριν συνδέετε το εργαλείο, πάντοτε να ελέγχετε ότι η σκανδάλη-διακόπτης ενεργοποιείται

κανονικά και επιστρέφει στη θέση OFF όταν την αφήνετε.

Για να ξεκινήσετε το εργαλείο, απλά πιέστε τη σκανδάλη-διακόπτη. Για να σταματήσετε, αφήστε το διακόπτη.

Άναμμα των λαμπών

Για το μοντέλο HR3210FCT (Εικ. 2)

ΠΡΟΣΟΧΗ:

- Μην κοιτάτε κατευθείαν μέσα στο φως ή στην πηγή του φωτός.

Για να ανάψετε τη λάμπα, τραβήξτε τη σκανδάλη. Για να τη σβήσετε, αφήστε τη σκανδάλη.

ΣΗΜΕΙΩΣΗ:

- Χρησιμοποιήστε ένα στεγνό πανί για να σκουπίσετε τη σκόνη από το φακό της λυχνίας. Προσέχετε να μη γρατσουνίσετε το φακό της λυχνίας, διότι έτσι ενδέχεται να μειωθεί η ένταση του φωτισμού.

Αλλαγή ταχύτητας (Εικ. 3)

Μπορείτε να ρυθμίσετε τις περιστροφές και τις κρούσεις ανά λεπτό, αν περιστρέψετε απλά τον επιλογέα ρύθμισης. Ο επιλογέας είναι σημειωμένος από 1 (χαμηλότερη ταχύτητα) έως 5 (τελική ταχύτητα).

Για τη σχέση μεταξύ των αριθμημένων ρυθμίσεων στον επιλογέα ρύθμισης και των περιστροφών/κρούσεων ανά λεπτό, ανατρέξτε στον παρακάτω πίνακα.

Αριθμηση στον επιλογέα ρύθμισης	Περιστροφές ανά λεπτό	Κρούσεις το λεπτό
5	630	3.300
4	590	3.100
3	480	2.500
2	370	1.900
1	315	1.650

ΠΡΟΣΟΧΗ:

- Αν το εργαλείο λειτουργεί συνεχόμενα σε χαμηλές ταχύτητες για μεγάλο χρονικό διάστημα, το μοτέρ θα υπερφορτωθεί και θα προκαλέσει δυσλειτουργία του εργαλείου.
- Ο επιλογέας ρύθμισης ταχύτητας έχει τη δυνατότητα να περιστρέφεται έως το 5 και ξανά στο 1. Μην τον εξαναγκάζετε πέρα από το 5 ή το 1, αλλιώς μπορεί να μη λειτουργεί πλέον η ρύθμιση ταχύτητας.

Αλλαγή της κεφαλής ταχείας αλλαγής για SDS-plus

Για το μοντέλο HR3210FCT

Μπορείτε εύκολα να αλλάζετε την κεφαλή ταχείας αλλαγής για SDS-plus με την κεφαλή δραπάνου ταχείας αλλαγής.

Αφαίρεση της κεφαλής ταχείας αλλαγής για SDS-plus (Εικ. 4)

ΠΡΟΣΟΧΗ:

- Πριν αφαιρέσετε την κεφαλή ταχείας αλλαγής για SDS-plus, να αφαιρείτε πάντα τη μύτη.

Κρατήστε το κάλυμμα αλλαγής με τον αντίχειρα και το μεσαίο δάχτυλο και τραβήξτε το προς την διεύθυνση του βέλους 1. Με το κάλυμμα αλλαγής τραβηγμένο προς αυτή την κατεύθυνση, κρατήστε το κάλυμμα κεφαλής με τον δείκτη. Καθώς κρατάτε έτσι το κάλυμμα της κεφαλής, τραβήξτε έξω με μια κίνηση προς την διεύθυνση του βέλους 2 την κεφαλή ταχείας αλλαγής.


Προσάρτηση της κεφαλής δραπάνου ταχείας αλλαγής (Εικ. 5)

Πιάστε το κάλυμμα αλλαγής και τοποθετήστε τη κεφαλή δραπάνου ταχείας αλλαγής πάνω στην άτρακτο του εργαλείου.

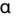
Βεβαιωθείτε ότι η κεφαλή δραπάνου ταχείας αλλαγής είναι ασφαλισμένη προσπαθώντας να την τραβήξετε μερικές φορές.

Επιλογή του τρόπου δράσης

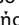
Περιστροφή με κρούση (Εικ. 6)

Για τρυπάνισμα σε τοιμένο, τοιχοποιία, κτλ., πιέστε το κουμπί ασφάλισης και περιστρέψτε το μοχλό αλλαγής ώστε ο δείκτης να δείχνει στο σύμβολο . Χρησιμοποιήστε μύτη με άκρο βολφραμίου-καρβιδίου.

Περιστροφή μόνο (Εικ. 7)

Για τρυπάνισμα σε υλικά από ξύλο, μέταλλο ή πλαστικό, πιέστε το κουμπί ασφάλισης και περιστρέψτε το μοχλό αλλαγής ώστε ο δείκτης να δείχνει στο σύμβολο . Χρησιμοποιήστε μύτη για περιστροφικό τρυπάνισμα ή μύτη για ξύλο.

Κρούση μόνο (Εικ. 8)

Για καλέμισμα, ξύσιμο ή ξήλωμα, πιέστε το κουμπί ασφάλισης και περιστρέψτε το μοχλό αλλαγής ώστε ο  δείκτης να δείχνει στο σύμβολο. Χρησιμοποιήστε βελόνι, ψυχρό καλέμι, καλέμι σφυροκοπήματος, κτλ.

ΠΡΟΣΟΧΗ:

- Μην περιστρέφετε το μοχλό αλλαγής όταν το εργαλείο λειτουργεί με φορτίο. Θα προκληθεί βλάβη στο εργαλείο.
- Για να αποφεύγετε την ταχεία φθορά του μηχανισμού αλλαγής τρόπου λειτουργίας, βεβαιωθείτε ότι ο μοχλός αλλαγής βρίσκεται πάντα σε μία από τις τρεις θέσεις τρόπου δράσης.

Περιοριστής ροπής

Ο περιοριστής ροπής θα ενεργοποιηθεί όταν επιτευχθεί ένα ορισμένο επίπεδο ροπής. Το μοτέρ θα αποδυναμωθεί από τον άξονα εξόδου. Όταν συμβεί αυτό, η μύτη θα σταματήσει να περιστρέφεται.

ΠΡΟΣΟΧΗ:

- Μόλις ενεργοποιηθεί ο περιοριστής ροπής, απενεργοποιήστε αμέσως το εργαλείο. Έτσι, θα προληφθεί η πρόωγη φθορά του εργαλείου.

Ενδεικτική λυχνία (Εικ. 9)

Όταν συνδέετε το εργαλείο, ανάβει η πράσινη ενδεικτική λυχνία ενεργής θέσης (ON). Αν δεν ανάβει η ενδεικτική λυχνία, μπορεί να είναι ελαττωματικό το ηλεκτρικό καλώδιο ή ο ελεγκτής. Η ενδεικτική λυχνία είναι αναμμένη, αλλά το εργαλείο δεν ξεκινάει, ακόμα και αν είναι αναμμένο, μπορεί να έχουν φθαρεί τα καρβουνάκια, ή να είναι ελαττωματικός ο ελεγκτής, το μοτέρ ή ο διακόπτης ON/OFF. Η κόκκινη ενδεικτική λυχνία συντήρησης ανάβει όταν τα καρβουνάκια έχουν φθαρεί σχεδόν τελείως για να δηλώσει πως το εργαλείο χρειάζεται συντήρηση. Μετά από περίπου 8 ώρες χρήσης, το μοτέρ θα σβήσει αυτόματα.

ΣΥΝΑΡΜΟΛΟΓΗΣΗ

ΠΡΟΣΟΧΗ:

- Να βεβαιώνετε πάντοτε ότι το εργαλείο είναι σβηστό και αποσυνδεδεμένο από το ηλεκτρικό ρεύμα πριν εκτελέσετε οποιαδήποτε εργασία σε αυτό.

Πλαϊνή λαβή (Εικ. 10)

ΠΡΟΣΟΧΗ:

- Να χρησιμοποιείτε πάντα την πλαϊνή λαβή για να εξασφαλίζετε την ασφάλεια κατά το τρυπάνισμα σε τοιμένο, τοιχοποιία, κτλ.

Η πλευρική λαβή αιωρείται γύρω από κάθε πλευρά ώστε να επιτρέπει τον εύκολο χειρισμό του εργαλείου σε οποιαδήποτε θέση. Χαλαρώστε την πλευρική λαβή στρέφοντάς την αριστερόστροφα, περιστρέψτε τη στην επιθυμητή θέση και κατόπιν βάλτε τη στρέφοντάς τη δεξιόστροφα.

Τοποθέτηση ή αφαίρεση της μύτης (Εικ. 11)

Καθαρίστε το κολάρο μύτης και τοποθετήστε γράσο για μύτες πριν τοποθετήσετε τη μύτη.


Τοποθετήστε τη μύτη στο εργαλείο. Περιστρέψτε τη μύτη και σπρώξτε την προς τα μέσα έως ότου ασφαλίσει. (Εικ. 12)

Εάν δεν μπορείτε να σπρώξετε τη μύτη προς τα μέσα, αφαιρέστε την. Τραβήξτε το κάλυμμα κεφαλής προς τα κάτω μερικές φορές. Κατόπιν, τοποθετήστε ξανά τη μύτη. Περιστρέψτε τη μύτη και σπρώξτε την προς τα μέσα έως ότου ασφαλίσει.

Μετά την τοποθέτηση, να βεβαιώνετε πάντα ότι η μύτη είναι ασφαλισμένη στη θέση της με το να προσπαθήσετε να την τραβήξετε προς τα έξω.

Για να αφαιρέσετε τη μύτη, τραβήξτε προς τα κάτω το κάλυμμα κεφαλής έως το τέρμα και τραβήξτε τη μύτη προς τα έξω. (Εικ. 13)

Κλίση μύτης (κατά το καλέμισμα, ξύσιμο ή ξήλωμα) (Εικ. 14)

Μπορείτε να ασφαλίσετε τη μύτη σε 24 διαφορετικές γωνίες. Για να αλλάξετε την κλίση της μύτης, πιέστε το κουμπί ασφάλισης και περιστρέψτε το μοχλό αλλαγής ώστε ο δείκτης να δείχνει στο σύμβολο . Περιστρέψτε τη μύτη στην επιθυμητή κλίση.

Πατήστε το κουμπί ασφάλισης και περιστρέψτε το μοχλό αλλαγής ώστε ο δείκτης να δείχνει στο σύμβολο **T**. Κατόπιν, περιστρέψτε λίγο τη μύτη για να βεβαιωθείτε ότι είναι καλά ασφαλισμένη στη θέση της.

Μετρητής βάθους (Εικ. 15)

Ο μετρητής βάθους είναι χρήσιμος για το τρυπάνισμα οπών με ομοιόμορφο βάθος. Χαλαρώστε τη βίδα σύσφιξης και ρυθμίστε το ρυθμιστή βάθους στο επιθυμητό βάθος. Μετά τη ρύθμιση, σφίξτε καλά τη βίδα σύσφιξης.

ΣΗΜΕΙΩΣΗ:

- Ο μετρητής βάθους δεν μπορεί να χρησιμοποιηθεί στη θέση όπου ο μετρητής βάθους χτυπάει επάνω στο περίβλημα γραναζιού/στο περίβλημα του μοτέρ.

Κύπελλο σκόνης (Εικ. 16)

Χρησιμοποιήστε το κύπελλο σκόνης για να εμποδίζετε την πτώση της σκόνης επάνω στο εργαλείο και στον εαυτό σας όταν εκτελείτε εργασίες τρυπανίσματος σε ύψος επάνω από το κεφάλι σας. Προσδέστε το κύπελλο σκόνης στη μύτη όπως απεικονίζεται στην εικόνα. Το μέγεθος των μυτών στις οποίες μπορείτε να προσδέσετε το κύπελλο σκόνης είναι ως εξής:

	Διάμετρος μύτης
Κύπελλο σκόνης 5	6 χλστ - 14,5 χλστ
Κύπελλο σκόνης 9	12 χλστ - 16 χλστ

ΛΕΙΤΟΥΡΓΙΑ

Λειτουργία τρυπανίσματος με κρούση (Εικ. 17)

Ρυθμίστε το μοχλό αλλαγής στο σύμβολο **⚡**. Τοποθετήστε τη μύτη στη θέση που επιθυμείτε να τρυπάνισετε και κατόπιν τραβήξτε τη σκανδάλη-διακόπτη. Μην ασκείτε δύναμη στο εργαλείο. Θα έχετε καλύτερα αποτελέσματα με ελαφριά πίεση. Να διατηρείτε το εργαλείο στη θέση του και να αποφεύγετε την ολίσθησή του από την οπή. Μην ασκείτε περισσότερη πίεση σε περίπτωση που η οπή φράξει με θραύσματα ή σωματίδια. Αντ' αυτού, σταματήστε αργά τη λειτουργία του εργαλείου και κατόπιν βγάλτε τη μύτη μερικώς από την οπή. Αν επαναλάβετε τη διαδικασία αυτή μερικές φορές, η οπή θα καθαρίσει και θα μπορείτε να συνεχίσετε κανονικά το τρυπάνισμα.

ΠΡΟΣΟΧΗ:

- Όταν η μύτη αρχίσει να σπάει το τσιμέντο ή η μύτη χτυπήσει ενισχυτικές ράβδους που βρίσκονται μέσα στο τσιμέντο, το εργαλείο μπορεί να αντιδράσει με επικίνδυνο τρόπο. Διατηρήστε καλή ισορροπία και ασφαλή στήριξη όσο κρατάτε καλά το εργαλείο και με τα δύο χέρια για να αποτρέψετε επικίνδυνες αντιδράσεις.

Φουσητήρι (προαιρετικό αξεσουάρ) (Εικ. 18)

Μετά από το τρυπάνισμα της οπής, χρησιμοποιήστε το φουσητήρι για να καθαρίσετε τη σκόνη από την οπή.

Καλέμισμα/Ξύσιμο/Ξήλωμα (Εικ. 19)

Ρυθμίστε το μοχλό αλλαγής στο σύμβολο **T**. Να κρατάτε το εργαλείο γερά και με τα δύο χέρια. Θέστε το εργαλείο σε λειτουργία και ασκήστε ελαφριά πίεση σε αυτό για να μην αναπηδά ανεξέλεγκτα. Δεν θα αυξηθεί η αποδοτικότητα του εργαλείου αν το πιέσετε πολύ δυνατά.

Τρυπάνισμα σε ξύλο ή μέταλλο (Εικ. 20 - 22)

Για τα μοντέλα HR3200C, HR3210C

Χρησιμοποιήστε την προαιρετική διάταξη κεφαλής δρπάνου. Όταν την τοποθετείτε, ανατρέξτε στην παράγραφο «Τοποθέτηση ή αφαίρεση της μύτης» που περιγράφεται στην προηγούμενη σελίδα. Ρυθμίστε το μοχλό αλλαγής έτσι ώστε ο δείκτης να δείχνει στο σύμβολο **⊘**.

Για το μοντέλο HR3210FCT

Χρησιμοποιήστε την κεφαλή δρπάνου ταχείας αλλαγής ως στάνταρ εξοπλισμό. Όταν την τοποθετείτε, ανατρέξτε στην παράγραφο «Αλλαγή της κεφαλής ταχείας αλλαγής για SDS-plus» που περιγράφεται στην προηγούμενη σελίδα. Κρατήστε το δακτύλιο και στρέψτε το περίβλημα αριστερόστροφα για να ανοίξετε τις σιαγόνες κεφαλής. Τοποθετήστε τη μύτη στην κεφαλή έως το τέρμα. Κρατήστε καλά το δακτύλιο και στρέψτε το περίβλημα δεξιόστροφα για να σφίξετε την κεφαλή. Για να βγάλετε τη μύτη, κρατήστε το δακτύλιο και στρέψτε το περίβλημα αριστερόστροφα. Ρυθμίστε το μοχλό αλλαγής στο σύμβολο **⊘**. Μπορείτε να τρυπήσετε διάμετρο έως 13 χλστ σε μέταλλο και έως 32 χλστ σε ξύλο.

ΠΡΟΣΟΧΗ:

- Μη χρησιμοποιείτε ποτέ «περιστροφή με κρούση» όταν είναι τοποθετημένη στο εργαλείο η κεφαλή δρπάνου ταχείας αλλαγής. Μπορεί να προκληθεί βλάβη στην κεφαλή δρπάνου ταχείας αλλαγής.
- Δεν θα επιταχυνθεί το τρυπάνισμα αν πιέζετε υπερβολικά το εργαλείο. Στην πραγματικότητα, αυτή η υπερβολική πίεση θα προκαλέσει απλώς βλάβη στο άκρο της μύτης, θα μειώσει την απόδοση του εργαλείου και θα συντομεύσει την ωφέλιμη διάρκεια ζωής του.
- Ασκείται τεράστια δύναμη στρέψης στο εργαλείο/μύτη τη στιγμή που διαπερνάται η οπή. Κρατήστε το εργαλείο σταθερά και προσέχετε όταν η μύτη ξεκινήσει να διαπερνάει το τεμάχιο εργασίας.
- Να στερεώνετε πάντοτε τα μικρά τεμάχια εργασίας σε μέγερνη ή παρόμοια συσκευή συγκράτησης.

Τρυπάνισμα με πυροληπτική μύτη διαμαντιού

Όταν πραγματοποιείτε εργασίες τρυπανίσματος με πυροληπτική μύτη διαμαντιού, να ρυθμίζετε πάντα το μοχλό αλλαγής δράσης στη θέση 8 για να χρησιμοποιείτε τη δράση «περιστροφή μόνο».

ΠΡΟΣΟΧΗ:

- Αν πραγματοποιείτε εργασίες τρυπανίσματος με πυροληπτική μύτη διαμαντιού χρησιμοποιώντας δράση «περιστροφής με κρούση», μπορεί να καταστραφεί η πυρηνοληπτική μύτη διαμαντιού.

ΣΥΝΤΗΡΗΣΗ

ΠΡΟΣΟΧΗ:

- Να βεβαιώνετε πάντοτε ότι το εργαλείο είναι σβηστό και αποσυνδεδεμένο από το ηλεκτρικό ρεύμα πριν εκτελέσετε οποιαδήποτε εργασία ελέγχου ή συντήρησης σε αυτό.

Λίπανση

ΠΡΟΣΟΧΗ:

- Αυτές οι εργασίες συντήρησης θα πρέπει να εκτελούνται μόνο σε εξουσιοδοτημένο ή εργοστασιακό κέντρο εξυπηρέτησης της Makita.

Το εργαλείο αυτό δεν απαιτεί ωριαία ή καθημερινή λίπανση επειδή διαθέτει σύστημα λίπανσης με γράσο. Λιπαίνετε το εργαλείο κάθε φορά που αντικαθίστανται τα καρβουνάκια.

Θέστε το εργαλείο σε λειτουργία για μερικά λεπτά για να ζεστάνει. Σβήστε το εργαλείο και αποσυνδέστε το από το ηλεκτρικό ρεύμα. **(Εικ. 23)**

Χαλαρώστε τις τέσσερις βίδες και αφαιρέστε τη λαβή. Σημειώστε ότι οι πάνω βίδες είναι διαφορετικές από τις άλλες βίδες. **(Εικ. 24)**

Αποσυνδέστε το συνδετήρα τραβώντας τις. **(Εικ. 25)**

Χαλαρώστε τις δυο βίδες στο κάλυμμα του καπακιού του στροφάλου και αφαιρέστε το κάλυμμα του καπακιού του στροφάλου. **(Εικ. 26)**

Ευθυγραμμίστε το μοχλό αλλαγής με το σύμβολο Δ, ξεσφίξτε τις πέντε βίδες και αφαιρέστε το καπάκι του στροφάλου. **(Εικ. 27)**

ΠΡΟΣΟΧΗ:

- Πάντοτε να αφαιρείτε το καπάκι του στροφάλου αφότου ευθυγραμμίζετε το μοχλό αλλαγής με το σύμβολο Δ. Ποτέ να μην το αφαιρέσετε με τη βία χωρίς ο μοχλός αλλαγής να είναι ευθυγραμμισμένος με το σύμβολο Δ. Αν δεν το κάνετε αυτό δεν μπορεί να γίνει η επανασυναρμολόγηση. **(Εικ. 28)**

Ακουμπήστε το εργαλείο σε πάγκο με τη μύτη στραμμένη προς τα πάνω. Έτσι, θα συλλεχτεί το παλιό γράσο στο εσωτερικό του περιβλήματος στροφάλου.

Σκουπίστε το παλιό γράσο που βρίσκεται στο εσωτερικό και συμπληρώστε με καινούργιο γράσο (30 γραμμάρια). Να χρησιμοποιείτε μόνο γνήσιο γράσο για σκαπτικά της Makita (προαιρετικό αξεσουάρ). Αν γεμίσετε το εργαλείο με μεγαλύτερη ποσότητα γράσου από αυτήν που καθορίζεται (περίπου 30 γραμμάρια), μπορεί να προκληθεί ελαττωματική

δράση κρούσης ή καταστροφή του εργαλείου. Γεμίστε μόνο με την ποσότητα γράσου που καθορίζεται.

ΠΡΟΣΟΧΗ:

- Προσέξτε να μην προκαλέσετε ζημιά στο συνδετήρα ή στα καλώδια τροφοδοσίας ειδικά όταν σκουπίζετε το παλιό γράσο.

Για να επανασυναρμολογήσετε το εργαλείο, ακολουθήστε τη διαδικασία αποσυναρμολόγησης με αντίστροφη σειρά.

ΠΡΟΣΟΧΗ:

- Μη σφίγγετε υπερβολικά το καπάκι στροφάλου. Είναι κατασκευασμένο από ρητίνη και μπορεί να σπάσει. **(Εικ. 29)**

Συνδέστε το συνδετήρα σταθερά και μετά τοποθετήστε ξανά τη λαβή.

ΠΡΟΣΟΧΗ:

- Προσέξτε να μην προκαλέσετε ζημιά στο συνδετήρα ή στα καλώδια τροφοδοσίας ειδικά όταν τοποθετείτε τη λαβή.

Για να διατηρείται η ΑΣΦΑΛΕΙΑ και η ΑΞΙΟΠΙΣΤΙΑ του προϊόντος, οι εργασίες επισκευής, ο έλεγχος και η αλλαγή των καρβουνάκιων, καθώς και οποιαδήποτε άλλη εργασία συντήρησης και ρύθμισης, θα πρέπει να εκτελούνται σε εξουσιοδοτημένα κέντρα εξυπηρέτησης της Makita, και πάντοτε με τη χρήση ανταλλακτικών της Makita.

ΑΞΕΣΟΥΑΡ

ΠΡΟΣΟΧΗ:

- Συνιστάται η χρήση των παρακάτω αξεσουάρ ή εξαρτημάτων με το εργαλείο της Makita, όπως περιγράφεται στο παρόν εγχειρίδιο. Αν χρησιμοποιήσετε άλλα αξεσουάρ ή εξαρτήματα μπορεί να παρουσιαστεί κίνδυνος πρόκλησης τραυματισμού. Να χρησιμοποιείτε τα αξεσουάρ ή τα εξαρτήματα μόνο για το σκοπό για τον οποίο προορίζονται.

Αν χρειάζεστε κάποια βοήθεια ή περισσότερες πληροφορίες σχετικά με τα αξεσουάρ αυτά, απευθυνθείτε στο πλησιέστερο κέντρο τεχνικής υποστήριξης της Makita.

- Μύτες με άκρο SDS-Plus καρβιδίου
- Κύριο τρυπάνι
- Πυρηνοληπτική μύτη
- Ψυχρό καλέμι
- Πυρηνοληπτική μύτη διαμαντιού
- Γράσο για σκαπτικά
- Καλέμι σφυροκοπήματος
- Καλέμι για αυλάκισμα
- Διάταξη κεφαλής δράπανου
- Κεφαλή δράπανου S13
- Προσαρμογέας κεφαλής
- Κλειδί κεφαλής S13
- Γράσο για μύτες
- Πλαϊνή λαβή
- Μετρητής βάθους
- Φυστήρι

- Κύπελλο σκόνης
- Γυαλιά προστασίας
- Πλαστική θήκη μεταφοράς

Για το μοντέλο HR3200C

Για τις ευρωπαϊκές χώρες μόνο

Θόρυβος

ENG102-1

Το σύνθετος σταθμισμένο επίπεδο θορύβου που έχει καθοριστεί σύμφωνα με την EN60745-2-6:

Επίπεδο ηχητικής πίεσης (L_{pA}): 89 dB (A)

Επίπεδο ηχητικής ισχύος (L_{WA}): 100 dB (A)

Αβεβαιότητα (K): 3 dB (A)

Να φοράτε ωτοασπίδες

Δόνηση

Η συνολική τιμή δόνησης (διανυσματικό άθροισμα τριών αξόνων) που έχει καθοριστεί σύμφωνα με την EN60745-2-6:

ENG215-1

Κατάσταση λειτουργίας: λειτουργία καλεμίσματος

Εκπομπή δόνησης ($a_{h,CHeq}$): 12,5 m/s²

Αβεβαιότητα (K): 1,5 m/s²

ENG303-1

Κατάσταση λειτουργίας: τρυπάνισμα με κρούση σε τριμένο, με διάμετρο 16 χλστ και βάθος 100 χλστ

Εκπομπή δόνησης ($a_{h,HD}$): 18 m/s²

Αβεβαιότητα (K): 1,5 m/s²

ENG302-1

Κατάσταση λειτουργίας: διάτρηση σε μέταλλο

Εκπομπή δόνησης ($a_{h,D}$): 2,5 m/s² ή λιγότερο

Για το μοντέλο HR3210C

Για τις ευρωπαϊκές χώρες μόνο

Θόρυβος

ENG102-1

Το σύνθετος σταθμισμένο επίπεδο θορύβου που έχει καθοριστεί σύμφωνα με την EN60745-2-6:

Επίπεδο ηχητικής πίεσης (L_{pA}): 89 dB (A)

Επίπεδο ηχητικής ισχύος (L_{WA}): 100 dB (A)

Αβεβαιότητα (K): 3 dB (A)

Να φοράτε ωτοασπίδες

Δόνηση

Η συνολική τιμή δόνησης (διανυσματικό άθροισμα τριών αξόνων) που έχει καθοριστεί σύμφωνα με την EN60745-2-6:

ENG215-1

Κατάσταση λειτουργίας: λειτουργία καλεμίσματος

Εκπομπή δόνησης ($a_{h,CHeq}$): 7,5 m/s²

Αβεβαιότητα (K): 1,5 m/s²

ENG303-1

Κατάσταση λειτουργίας: τρυπάνισμα με κρούση σε τσιμέντο, με διάμετρο 16 χλστ και βάθος 100 χλστ

Εκπομπή δόνησης ($a_{h,HD}$): 10 m/s²

Αβεβαιότητα (K): 1,5 m/s²

ENG302-1

Κατάσταση λειτουργίας: διάτρηση σε μέταλλο

Εκπομπή δόνησης ($a_{h,D}$): 2,5 m/s² ή λιγότερο

Για το μοντέλο HR3210FCT

Για τις ευρωπαϊκές χώρες μόνο

Θόρυβος

ENG102-1

Το σύνθετος σταθμισμένο επίπεδο θορύβου που έχει καθοριστεί σύμφωνα με την EN60745-2-6:

Επίπεδο ηχητικής πίεσης (L_{pA}): 88 dB (A)

Επίπεδο ηχητικής ισχύος (L_{WA}): 99 dB (A)

Αβεβαιότητα (K): 3 dB (A)

Να φοράτε ωτοασπίδες

Δόνηση

Η συνολική τιμή δόνησης (διανυσματικό άθροισμα τριών αξόνων) που έχει καθοριστεί σύμφωνα με την EN60745-2-6:

ENG215-1

Κατάσταση λειτουργίας: λειτουργία καλεμίσματος

Εκπομπή δόνησης ($a_{h,CHeq}$): 8 m/s²

Αβεβαιότητα (K): 1,5 m/s²

ENG303-1

Κατάσταση λειτουργίας: τρυπάνισμα με κρούση σε τσιμέντο, με διάμετρο 16 χλστ και βάθος 100 χλστ

Εκπομπή δόνησης ($a_{h,HD}$): 10 m/s²

Αβεβαιότητα (K): 1,5 m/s²

ENG302-1

Κατάσταση λειτουργίας: διάτρηση σε μέταλλο

Εκπομπή δόνησης ($a_{h,D}$): 2,5 m/s² ή λιγότερο

EC - ΔΗΛΩΣΗ ΠΙΣΤΟΤΗΤΑΣ

Μοντέλο, HR3200C, HR3210C, HR3210FCT ENH101-8

Δηλώνουμε με αποκλειστική ευθύνη μας ότι το προϊόν αυτό συμμορφώνεται με τα ακόλουθα πρότυπα των κοινοτικών οδηγιών: EN60745, EN55014, EN61000 σε συμφωνία με τις Οδηγίες της Επιτροπής, 2004/108/ΕΚ, 98/37/ΕΚ.

CE 2007



Tomoyasu Kato
Διευθυντής

Υπεύθυνος κατασκευαστής:

Makita Corporation

3-11-8, Sumiyoshi-cho, Anjo, Aichi, JAPAN

Εξουσιοδοτημένος Αντιπρόσωπος στην Ευρώπη:

Makita International Europe Ltd.

Michigan Drive, Tongwell, Milton Keynes, Bucks MK15 8JD, ENGLAND

Makita Corporation
Anjo, Aichi, Japan

884769-999