
DEWALT®

D25002

D25003

HEAVY DUTY ROTARY HAMMER DRILL

D25002/D25003

Congratulations!

You have chosen a DeWALT Power Tool. Years of experience, thorough product development and innovation make DeWALT one of the most reliable partners for professional Power Tool users.

Technical data

		D25002	D25003
Voltage	V	230	230
(U.K. & Ireland only)	V	230/115	230/115
Power input	W	600	650
No load speed	min ⁻¹	0 - 1,150	0 - 1,150
Load speed	min ⁻¹	0 - 820	0 - 820
Impact energy	J	2.4	2.4
Maximum drilling range in steel/wood/concrete	mm	13/30/22	13/30/24
Chiselling		no	yes
Core drilling capacity in soft brick	mm	-	65
Tool holder		SDS-plus®	SDS-plus®
Collar diameter	mm	43	43
Weight	kg	2.3	2.3

Fuses:

Europe	230 V tools	10 Amperes, mains
U.K. & Ireland	230 V tools	13 Amperes, in plugs

The following symbols are used throughout this manual:



Denotes risk of personal injury, loss of life or damage to the tool in case of non-observance of the instructions in this manual.



Denotes risk of electric shock.

EC-Declaration of conformity



D25002/D25003

DeWALT declares that these Power Tools have been designed in compliance with: 89/392/EEC, 89/336/EEC, 73/23/EEC, EN 50144, EN 55104, EN 55014, EN 61000-3-2 & EN 61000-3-3.

For more information, please contact DeWALT at the address below or refer to the back of the manual.

Level of sound pressure according to 86/188/EEC & 89/392/EEC, measured according to EN 50144:

		D25002	D25003
L _{PA}	(sound pressure) dB(A)*	97	97
L _{WA}	(acoustic power) dB(A)	105	105

* at the operator's ear



Take appropriate measures for the protection of hearing if the sound pressure of 85 dB(A) is exceeded.

Weighted root mean square acceleration value according to EN 50144:

	D25002	D25003
	10 m/s ²	10 m/s ²

Powerful high frequent interference may cause speed oscillations up to 20%. These, however, disappear as soon as the interference is suppressed.

Director Engineering & Product Development
Horst Großmann

DeWALT, Richard-Klinger-Straße 40,
D-65510, Idstein, Germany

Safety instructions

When using Power Tools, always observe the safety regulations applicable in your country to reduce the risk of fire, electric shock and personal injury. Read the following safety instructions before attempting to operate this product.

Keep these instructions in a safe place!

General

1 Keep work area clean

Cluttered areas and benches can cause accidents.

2 Consider work area environment

Do not expose Power Tools to humidity. Keep work area well lit. Do not use Power Tools in the presence of inflammable liquids or gases.

3 Guard against electric shock

Prevent body contact with earthed surfaces (e.g. pipes, radiators, cookers and refrigerators).

For use under extreme conditions (e.g. high humidity, when metal swarf is being produced, etc.) electric safety can be improved by inserting an isolating transformer or a (FI) earth-leakage circuit-breaker.

4 Keep children away

Do not let children come into contact with the tool or extension cord. Keep all people away from the work area.

5 Extension cords for outdoor use

When the tool is used outdoors, always use extension cords intended for outdoor use and marked accordingly.

6 Store idle tools

When not in use, Power Tools must be stored in a dry place and locked up securely, out of reach of children.

7 Dress properly

Do not wear loose clothing or jewellery. They can be caught in moving parts. Preferably wear rubber gloves and non-slip footwear when working outdoors. Wear protective hair covering to keep long hair out of the way.

8 Wear safety goggles

Also use a face or dust mask in case the operations produce dust or flying particles.

9 Beware of maximum sound pressure

Take appropriate measures for the protection of hearing if the sound pressure of 85 dB(A) is exceeded.

10 Secure workpiece

Use clamps or a vice to hold the workpiece. It is safer and it frees both hands to operate the tool.

11 Do not overreach

Keep proper footing and balance at all times.

12 Avoid unintentional starting

Do not carry the plugged-in tool with a finger on the switch. Be sure that the switch is released when plugging in.

13 Stay alert

Watch what you are doing. Use common sense. Do not operate the tool when you are tired.

14 Disconnect tool

Shut off power and wait for the tool to come to a complete standstill before leaving it unattended. Unplug the tool when not in use, before servicing or changing accessories.

15 Remove adjusting keys and wrenches

Always check that adjusting keys and wrenches are removed from the tool before operating the tool.

16 Use appropriate tool

The intended use is laid down in this instruction manual. Do not force small tools or attachments to do the job of a heavy-duty tool. The tool will do the job better and safer at the rate for which it was intended.

Warning! The use of any accessory or attachment or performance of any operation with this tool, other than those recommended in this instruction manual may present a risk of personal injury.

17 Do not abuse cord

Never carry the tool by its cord or pull it to disconnect from the socket. Keep the cord away from heat, oil and sharp edges.

18 Maintain tools with care

Keep the tools in good condition and clean for better and safer performance. Follow the instructions for maintenance and changing accessories. Inspect the tool cords at regular intervals and, if damaged, have them repaired by an authorized DEWALT repair agent. Inspect the extension cords periodically and replace them if damaged. Keep all controls dry, clean and free from oil and grease.

19 Check for damaged parts

Before using the tool, carefully check it for damage to ensure that it will operate properly and perform its intended function.

Check for misalignment and seizure of moving parts, breakage of parts and any other conditions that may affect its operation. Have damaged guards or other defective parts repaired or replaced as instructed. Do not use the tool if the switch is defective. Have the switch replaced by an authorized DeWALT repair agent.

20 Have your tool repaired by an authorized DeWALT repair agent

This Power Tool is in accordance with the relevant safety regulations. To avoid danger, electric appliances must only be repaired by qualified technicians.

Package contents

The package contains:

- 1 Pistol Grip Heavy Duty Rotary Hammer Drill
- 1 Side handle
- 1 Depth adjustment rod
- 1 Kitbox (K-models only)
- 1 Keyed chuck + chuck adaptor (D25002KC/D25003KC)
- 1 Instruction manual
- 1 Exploded drawing

- Check for damage to the tool, parts or accessories which may have occurred during transport.
- Take the time to thoroughly read and understand this manual prior to operation.

Description (fig. A)

Your DeWalt Heavy Duty Rotary Hammer Drill D25002 has been designed for professional drilling, hammer drilling and screwdriving applications. Your DeWalt Heavy Duty Rotary Hammer Drill D25003 has been designed for professional rotary and hammer drilling, screwdriving and light chipping, chiselling, demolition applications and for carbide tipped core drilling.

- 1 Variable speed switch
- 2 Lock-on button
- 3 Forward/reverse lever
- 4 Mode selector
- 5 Side handle
- 6 Depth adjustment rod
- 7 Dust cover
- 8 Tool holder

Torque limiting clutch

All Rotary Hammer Drills are equipped with a torque limiting clutch that reduces the maximum torque reaction transmitted to the operator in case of jamming of a drill bit. This feature also prevents the gearing and electric motor from stalling. The torque limiting clutch has been factory-set and cannot be adjusted.

Electrical safety

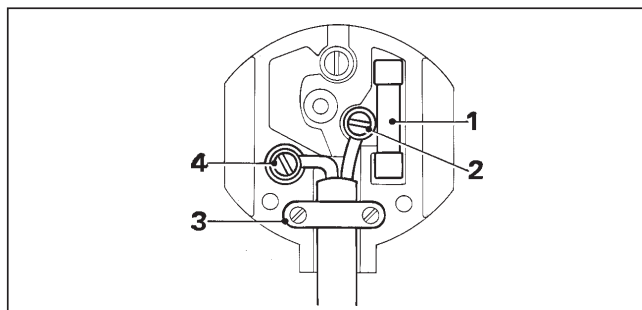
The electric motor has been designed for one voltage only. Always check that the power supply corresponds to the voltage on the rating plate.



Your DeWALT tool is double insulated in accordance with EN 50144; therefore no earth wire is required.

Mains plug replacement (U.K. & Ireland only)

- Should your mains plug need replacing and you are competent to do this, proceed as instructed below. If you are in doubt, contact an authorized DeWALT repair agent or a qualified electrician.
- Disconnect the plug from the supply.
- Cut off the plug and dispose of it safely; a plug with bared copper conductors is dangerous if engaged in a live socket outlet.
- Only fit 13 Amperes BS1363A approved plugs fitted with the correctly rated fuse (1).
- The cable wire colours, or a letter, will be marked at the connection points of most good quality plugs. Attach the wires to their respective points in the plug (see below). Brown is for Live (L) (2) and Blue is for Neutral (N) (4).
- Before replacing the top cover of the mains plug ensure that the cable restraint (3) is holding the outer sheath of the cable firmly and that the two leads are correctly fixed at the terminal screws.





Never use a light socket.
Never connect the live (L) or neutral (N) wires to the earth pin marked E or \perp .

For 115 V units with a power rating exceeding 1500 W, we recommend to fit a plug to BS4343 standard.

Using an extension cable

If an extension cable is required, use an approved extension cable suitable for the power input of this tool (see technical data). The minimum conductor size is 1.5 mm². When using a cable reel, always unwind the cable completely. Also refer to the table below.

Conductor size (mm ²)		Cable rating (Amperes)					
0.75		6					
1.00		10					
1.50		15					
2.50		20					
4.00		25					
		Cable length (m)					
		7.5	15	25	30	45	60
Voltage	Amperes	Cable rating (Amperes)					
115	0 - 2.0	6	6	6	6	6	10
	2.1 - 3.4	6	6	6	6	15	15
	3.5 - 5.0	6	6	10	15	20	20
	5.1 - 7.0	10	10	15	20	20	25
	7.1 - 12.0	15	15	20	25	25	-
	12.1 - 20.0	20	20	25	-	-	-
230	0 - 2.0	6	6	6	6	6	6
	2.1 - 3.4	6	6	6	6	6	6
	3.5 - 5.0	6	6	6	6	10	15
	5.1 - 7.0	10	10	10	10	15	15
	7.1 - 12.0	15	15	15	15	20	20
	12.1 - 20.0	20	20	20	20	25	-

Assembly and adjustment



Prior to assembly and adjustment always unplug the tool.

D25002 - Selecting the operating mode (fig. B)

The Rotary Hammer Drill can be used in two operating modes:



Rotary drilling:
for screwdriving, drilling into steel, wood and plastics



Hammer drilling:
simultaneous rotating and impacting for concrete and masonry drilling

D25003 - Selecting the operating mode (fig. B)

The Rotary Hammer Drill can be used in three operating modes:



Rotary drilling:
for screwdriving, drilling into steel, wood and plastics



Hammer drilling:
simultaneous rotating and impacting for concrete and masonry drilling



Hammering only with spindle lock:
impacting only - for light chipping, chiselling and demolition applications.

- Select the required operating mode by rotating the mode selector (4) towards the symbol on the gear housing.
- For screwdriving, refer to section “Instructions for use”.

Inserting and removing SDS-plus® accessories (fig. C)

Your Rotary Hammer Drill uses SDS-plus® accessories (refer to the inset in fig. C for a cross-section of an SDS-plus® bit shank).

- Clean and grease the bit shank.
- Insert the bit shank into the tool holder (8).
- Push the bit down and turn it slightly until it fits into the slots.
- Pull on the bit to check if it is properly locked. The hammering function requires the bit to be able to move axially several centimetres when locked in the tool holder.
- To remove a bit pull back the tool holder locking sleeve (9) and pull out the bit.

Fitting the side handle (fig. D)

The side handle (5) can be fitted to suit both RH- and LH-users.



Always use the tool with the side handle properly assembled.

- Loosen the side handle.
- For RH-users, slide the side handle clamp over the collar behind the tool holder, handle at the left.
- For LH-users, slide the side handle clamp over the collar behind the tool holder, handle at the right.
- Rotate the side handle to the desired position and tighten the handle.

Setting the drilling depth (fig. E)

- Insert the required drill bit.
- Slacken the side handle (5).
- Fit the depth adjustment rod (6) through the hole in the side handle clamp.
- Adjust the drilling depth as shown.
- Tighten the side handle.

Forward/Reverse-lever (fig. F)

- Push the forward/reverse-lever (3) to the LH-side for forward (RH) rotation. See arrows on tool.
- Push the forward/reverse-lever (3) to the RH-side for reverse (LH) rotation.



Always wait until the motor has come to a complete standstill before changing the direction of rotation.

Replacing the dust cover (fig. C)

The dust cover (7) prevents dust ingress into the mechanism. Replace a worn dust cover immediately.

- Pull back the tool holder locking sleeve (9) and pull the dust cover (7) off.
- Fit the new dust cover.
- Release the tool holder locking sleeve.

How to fit the Chuck Adapter & Chuck

- Unplug the tool.
- Screw the keyed chuck onto the threaded end of the chuck adapter.
- Insert the connected chuck and adapter in the tool as though it were a standard SDS-plus® bit.
- Always tighten the accessory into the keyed chuck using all three holes.
- To remove the chuck, proceed as for removing a standard SDS-plus® bit.



- Never use the keyed chuck in hammer drilling mode.

Instructions for use



- Always observe the safety instructions and applicable regulations.
- Be aware of the location of pipework and wiring.
- Apply only a gentle pressure to the tool (approx. 2-3 kg). Excessive force does not speed up drilling but decreases tool performance and may shorten tool life.
- Do not drill or drive too deep to prevent damage to the dust cover.

Switching ON and OFF (fig. A)

- To run the tool, press the variable speed switch (1). The pressure exerted on the variable speed switch determines the tool speed.
- If necessary, press the lock-on button (2) for continuous operation and release the variable speed switch. The lock-on button works only in full speed, forward rotation.
- To stop the tool, release the variable speed switch.
- To stop the tool in continuous operation, press the variable speed switch briefly and release it. Always switch OFF the tool when work is finished and before unplugging.

Hammer drilling (fig. A)

- Select the hammer drilling mode (4).
- Insert the appropriate SDS-plus® bit. For best results use high quality carbide-tipped bits.
- Mark the spot where the hole is to be drilled.
- Press the tool against the workpiece.
- Switch the tool ON by pressing the variable speed switch (1). The hammer mechanism should run smoothly and the tool should not bounce. If necessary, increase the pressure on the switch.

Rotary drilling (fig. A)

- Select the rotary drilling mode (4).
- Proceed as described for hammer drilling. Special SDS-plus® adaptors with threaded sections are available for use with standard 10 or 13 mm chucks to enable straight shank bits to be used.



Never use standard chucks in the hammer drilling mode.

Screwdriving (fig. A)

- Select the rotary drilling mode (4).
- Select the direction of rotation (3).
- Insert the special SDS-plus® screwdriving adaptor for use with hexagonal screwdriver bits.
- Insert the appropriate screwdriver bit into the adaptor. When driving slotted head screws always use bits with a finder sleeve.
- Gently press the variable speed switch (1) to prevent damage to the screw head. In reverse (LH) rotation the tool speed is automatically reduced for easy screw removal.

D25003 - Chipping and chiselling

- To switch from hammer drilling to chiselling, first insert the SDS-plus® chisel and check if it is properly locked.
- When switching from hammer drilling mode to chiselling mode, turn the chisel to the desired position. If you find resistance during mode change, turn the chisel slightly to engage the spindle lock.



- The hammer is only for light chiselling applications.
- The forward/reverse switch must be in the forward position when chiselling (in reverse the unit does not reach full power).



- Do not use this tool to mix or pump easily combustible or explosive fluids (benzine, alcohol, etc.).
- Do not mix or stir inflammable liquids labelled accordingly.

Various types of SDS-plus® drill bits and adaptors are available as an option.

Consult your dealer for further information on the appropriate accessories.

Maintenance

Your DeWALT Power Tool has been designed to operate over a long period of time with a minimum of maintenance. Continuous satisfactory operation depends upon proper tool care and regular cleaning.

- The Rotary Hammer Drill is not user-serviceable. Take the tool to an authorized DeWalt repair agent after approximately 80 hours of use.
- The tool will automatically switch OFF when the carbon brushes are worn.



Lubrication

Your Power Tool requires no additional lubrication.



Cleaning

Keep the ventilation slots clear and regularly clean the housing with a soft cloth.



Unwanted tools and the environment

Take your tool to an authorized DeWALT repair agent where it will be disposed of in an environmentally safe way.

GUARANTEE

• 30 DAY NO RISK SATISFACTION GUARANTEE •

If you are not completely satisfied with the performance of your DeWALT tool, simply return it within 30 days, complete as purchased, to a participating Dealer, or an authorized DeWALT repair agent, for a full refund or exchange. Proof of purchase must be produced.

• ONE YEAR FREE SERVICE CONTRACT •

If you need maintenance or service for your DeWALT tool, in the 12 months following purchase, it will be undertaken free of charge at an authorized DeWALT repair agent. Proof of purchase must be produced. Includes labour and spare parts for Power Tools. Excludes accessories.

• ONE YEAR FULL WARRANTY •

If your DeWALT product becomes defective due to faulty materials or workmanship within 12 months from the date of purchase, we guarantee to replace all defective parts free of charge or, at our discretion, replace the unit free of charge provided that:

- The product has not been misused.
 - Repairs have not been attempted by unauthorized persons.
 - Proof of purchase date is produced.
- This guarantee is offered as an extra benefit and is additional to consumers statutory rights.

For the location of your nearest authorized DeWALT repair agent, please use the appropriate telephone number on the back of this manual.