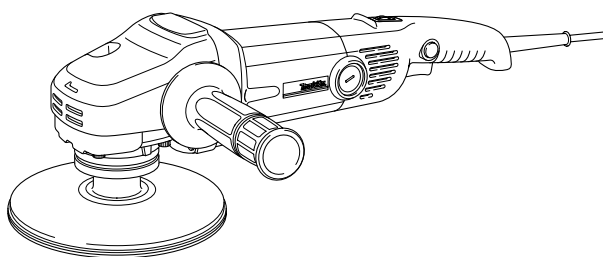
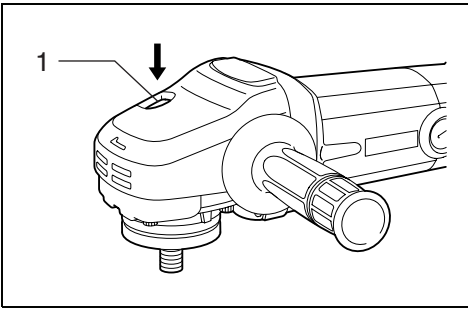




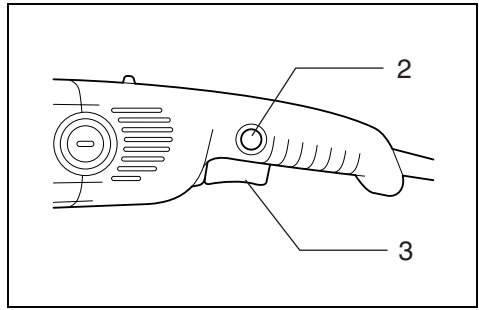
<b>GB</b>	<b>Angle Sander</b>	<b>Instruction Manual</b>
<b>F</b>	<b>Ponceuse angulaire</b>	<b>Manuel d'instructions</b>
<b>D</b>	<b>Winkelschleifer</b>	<b>Betriebsanleitung</b>
<b>I</b>	<b>Smerigliatrice angolare</b>	<b>Istruzioni per l'uso</b>
<b>NL</b>	<b>Haakse schuurmachine</b>	<b>Gebruiksaanwijzing</b>
<b>E</b>	<b>Lijadora angular</b>	<b>Manual de instrucciones</b>
<b>P</b>	<b>Lixadora angular</b>	<b>Manual de instruções</b>
<b>DK</b>	<b>Vinkelpolerer</b>	<b>Brugsanvisning</b>
<b>GR</b>	<b>Γωνιακός λειαντής</b>	<b>Οδηγίες χρήσεως</b>

# SA7000C

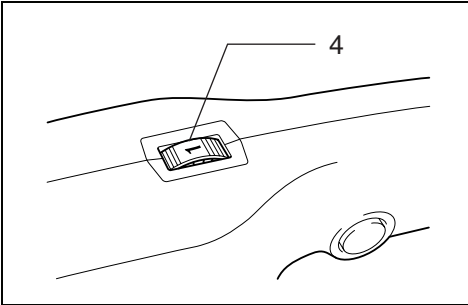




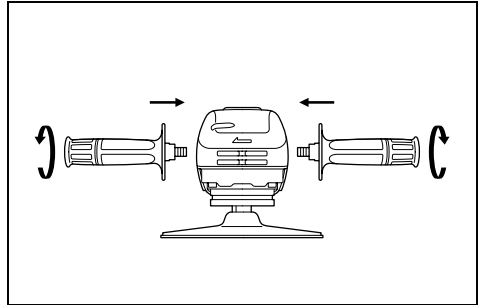
1



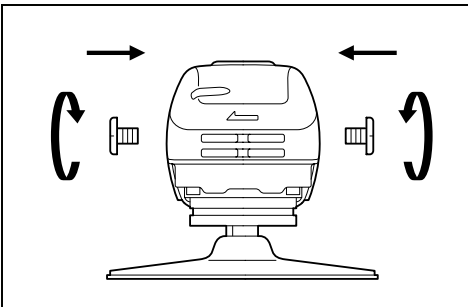
2



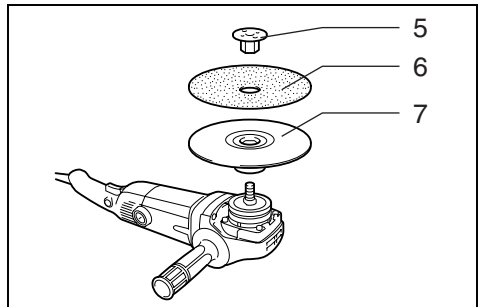
3



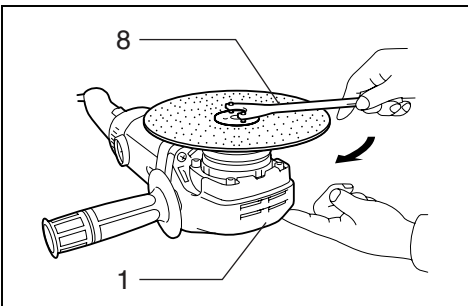
4



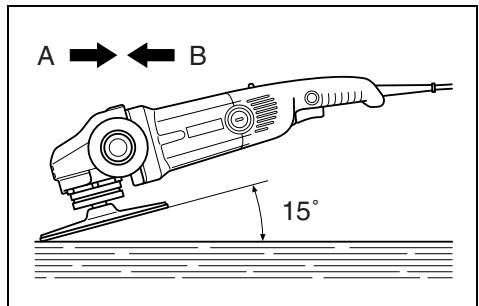
5



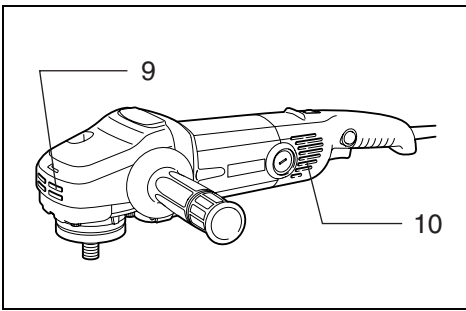
6



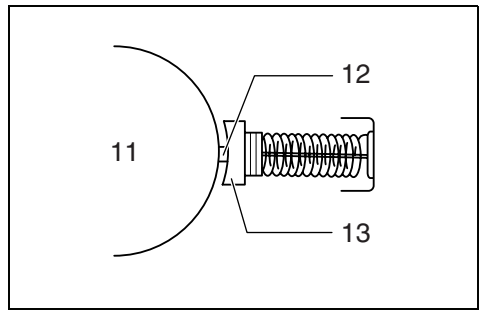
7



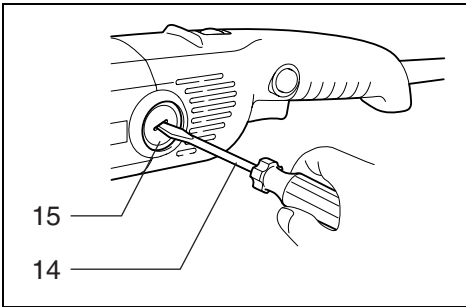
8



**9**



**10**



**11**

**Explanation of general view**

1 Shaft lock	6 Abrasive disc	11 Commutator
2 Lock button	7 Rubber pad	12 Insulating tip
3 Switch trigger	8 Lock nut wrench	13 Carbon brush
4 Speed adjusting dial	9 Exhaust vent	14 Screwdriver
5 Lock nut	10 Inhalation vent	15 Brush holder cap

**SPECIFICATIONS**

<b>Model</b>	<b>SA7000C</b>
Disc diameter .....	180 mm
Spindle thread .....	M14
Rated speed (n) / No load speed (n <sub>0</sub> ) .....	0 – 4,000 min <sup>-1</sup>
Overall length .....	453 mm
Net weight .....	3.4 kg
Safety class .....	□/II

- Due to our continuing program of research and development, the specifications herein are subject to change without notice.
- Specifications may differ from country to country.
- Weight according to EPTA-Procedure 01/2003

**Intended use**

The tool is intended for the sanding of large surface of wood, plastic and metal materials as well as painted surfaces.

**Power supply**

The tool should be connected only to a power supply of the same voltage as indicated on the nameplate, and can only be operated on single-phase AC supply. They are double-insulated in accordance with European Standard and can, therefore, also be used from sockets without earth wire.

GEA010-1

**General Power Tool Safety Warnings**

**⚠ WARNING Read all safety warnings and all instructions.** Failure to follow the warnings and instructions may result in electric shock, fire and/or serious injury.

**Save all warnings and instructions for future reference.**

GEB036-2

**SPECIFIC SAFETY RULES**

**DO NOT let comfort or familiarity with product (gained from repeated use) replace strict adherence to sander safety rules. If you use this tool unsafely or incorrectly, you can suffer serious personal injury.**

**Safety Warnings Common for Sanding Operation:**

1. **This power tool is intended to function as a sander. Read all safety warnings, instructions, illustrations and specifications provided with this power tool.** Failure to follow all instructions listed below may result in electric shock, fire and/or serious injury.
2. **Operations such as grinding, wire brushing, polishing or cutting-off are not recommended to be performed with this power tool.** Operations for which the power tool was not designed may create a hazard and cause personal injury.

3. **Do not use accessories which are not specifically designed and recommended by the tool manufacturer.** Just because the accessory can be attached to your power tool, it does not assure safe operation.
4. **The rated speed of the accessory must be at least equal to the maximum speed marked on the power tool.** Accessories running faster than their rated speed can break and fly apart.
5. **The outside diameter and the thickness of your accessory must be within the capacity rating of your power tool.** Incorrectly sized accessories cannot be adequately guarded or controlled.
6. **The arbour size of backing pads or any other accessory must properly fit the spindle of the power tool.** Accessories with arbour holes that do not match the mounting hardware of the power tool will run out of balance, vibrate excessively and may cause loss of control.
7. **Do not use a damaged accessory. Before each use inspect the accessory such as backing pad for cracks, tear or excess wear. If power tool or accessory is dropped, inspect for damage or install an undamaged accessory. After inspecting and installing an accessory, position yourself and bystanders away from the plane of the rotating accessory and run the power tool at maximum no-load speed for one minute.** Damaged accessories will normally break apart during this test time.
8. **Wear personal protective equipment. Depending on application, use face shield, safety goggles or safety glasses. As appropriate, wear dust mask, hearing protectors, gloves and workshop apron capable of stopping small workpiece fragments.** The eye protection must be capable of stopping flying debris generated by various operations. The dust mask or respirator must be capable of filtering particles generated by your operation. Prolonged exposure to high intensity noise may cause hearing loss.
9. **Keep bystanders a safe distance away from work area. Anyone entering the work area must wear personal protective equipment.** Fragments of workpiece or of a broken accessory may fly away and cause injury beyond immediate area of operation.
10. **Hold power tool by insulated gripping surfaces only, when performing an operation where the cutting accessory may contact hidden wiring or its own cord.** Cutting accessory contacting a "live" wire may make exposed metal parts of the power tool "live" and shock the operator.
11. **Position the cord clear of the spinning accessory.** If you lose control, the cord may be cut or snagged and your hand or arm may be pulled into the spinning accessory.

12. **Never lay the power tool down until the accessory has come to a complete stop.** The spinning accessory may grab the surface and pull the power tool out of your control.
13. **Do not run the power tool while carrying it at your side.** Accidental contact with the spinning accessory could snag your clothing, pulling the accessory into your body.
14. **Regularly clean the power tool's air vents.** The motor's fan will draw the dust inside the housing and excessive accumulation of powdered metal may cause electrical hazards.
15. **Do not operate the power tool near flammable materials.** Sparks could ignite these materials.
16. **Do not use accessories that require liquid coolants.** Using water or other liquid coolants may result in electrocution or shock.
17. **Kickback and Related Warnings**  
Kickback is a sudden reaction to a snagged rotating backing pad or any other accessory. Snagging causes rapid stalling of the rotating accessory which in turn causes the uncontrolled power tool to be forced in the direction opposite of the accessory's rotation at the point of the binding. Kickback is the result of power tool misuse and/or incorrect operating procedures or conditions and can be avoided by taking proper precautions as given below.
  - a) **Maintain a firm grip on the power tool and position your body and arm to allow you to resist kickback forces. Always use auxiliary handle, if provided, for maximum control over kickback or torque reaction during start-up.** The operator can control torque reactions or kickback forces, if proper precautions are taken.
  - b) **Never place your hand near the rotating accessory.** Accessory may kickback over your hand.
  - c) **Do not position your body in the area where power tool will move if kickback occurs.** Kickback will propel the tool in direction opposite to the wheel's movement at the point of snagging.
  - d) **Use special care when working corners, sharp edges etc. Avoid bouncing and snagging the accessory.** Corners, sharp edges or bouncing have a tendency to snag the rotating accessory and cause loss of control or kickback.
  - e) **Do not attach a saw chain woodcarving blade or toothed saw blade.** Such blades create frequent kickback and loss of control.

#### Safety Warnings Specific for Sanding Operations:

18. **Do not use excessively oversized sanding disc paper. Follow manufacturers recommendations, when selecting sanding paper.** Larger sanding paper extending beyond the sanding pad presents a laceration hazard and may cause snagging, tearing of the disc or kickback.
19. **Check the backing pad carefully for cracks, damage or deformity before operation. Replace cracked, damaged or deformed pad immediately.**
20. **NEVER use tool with wood cutting blades or other sawblades. Such blades when used on a sander frequently kick and cause loss of control leading to personal injury.**
21. **Hold the tool firmly.**
22. **Keep hands away from rotating parts.**
23. **Make sure the abrasive disc is not contacting the workpiece before the switch is turned on.**
24. **When sanding metal surfaces, watch out for flying sparks. Hold the tool so that sparks fly away from you and other persons or flammable materials.**
25. **Do not leave the tool running. Operate the tool only when hand-held.**
26. **Do not touch the workpiece immediately after operation; it may be extremely hot and could burn your skin.**
27. **Check that the workpiece is properly supported.**
28. **Pay attention that the wheel continues to rotate after the tool is switched off.**
29. **This tool has not been waterproofed, so do not use water on the workpiece surface.**
30. **Ventilate your work area adequately when you perform sanding operations.**
31. **Use of this tool to sand some products, paints and wood could expose user to dust containing hazardous substances. Use appropriate respiratory protection.**
32. **Always be sure that the tool is switched off and unplugged before carrying out any work on the tool.**
33. **If working place is extremely hot and humid, or badly polluted by conductive dust, use a short-circuit breaker (30 mA) to assure operator safety.**
34. **Do not use the tool on any materials containing asbestos.**
35. **Some material contains chemicals which may be toxic. Take caution to prevent dust inhalation and skin contact. Follow material supplier safety data.**
36. **Always use the correct dust mask/respirator for the material and application you are working with.**
37. **Ensure that ventilation openings are kept clear when working in dusty conditions. If it should become necessary to clear dust, first disconnect the tool from the mains supply (use non metallic objects) and avoid damaging internal parts.**

**SAVE THESE INSTRUCTIONS.**

## FUNCTIONAL DESCRIPTION

### CAUTION:

- Always be sure that the tool is switched off and unplugged before adjusting or checking function on the tool.

### Shaft lock (Fig. 1)

#### CAUTION:

- Never actuate the shaft lock when the spindle is moving. The tool may be damaged.

Press the shaft lock to prevent spindle rotation when installing or removing accessories.

### Switch action (Fig. 2)

#### CAUTION:

- Before plugging in the tool, always check to see that the switch trigger actuates properly and returns to the "OFF" position when released.

To start the tool, simply pull the switch trigger. Tool speed is increased by increasing pressure on the switch trigger. Release the switch trigger to stop.

For continuous operation, pull the switch trigger and then push in the lock button.

To stop the tool from the locked position, pull the switch trigger fully, then release it.

### Speed adjusting dial (Fig. 3)

The rotating speed can be changed by turning the speed adjusting dial to a given number setting from 1 to 6 (6 at the time when the switch trigger is fully pulled).

Higher speed is obtained when the dial is turned in the direction of number 6. And lower speed is obtained when it is turned in the direction of number 1.

Refer to the table for the relationship between the number settings on the dial and the approximate rotating speed.

Number	min <sup>-1</sup> (R.P.M.)
1	1,500
2	1,700
3	2,000
4	2,500
5	3,300
6	4,000

#### CAUTION:

- The speed adjusting dial can be turned only as far as 6 and back to 1. Do not force it past 6 or 1, or the speed adjusting function may no longer work.
- If the tool is operated continuously at low speeds, the motor will get overloaded and heated up.

### Electronic function

The tools equipped with electronic function are easy to operate because of the following features.

#### Constant speed control

Possible to get fine finish, because the rotating speed is kept constant even under loaded condition.

Additionally, when the load on the tool exceeds admissible levels, power to the motor is reduced to protect the motor from overheating. When the load returns to admissible levels, the tool will operate as normal.

### Soft start feature

Soft start because of suppressed starting shock.

## ASSEMBLY

### CAUTION:

- Always be sure that the tool is switched off and unplugged before carrying out any work on the tool.

### Installing side grip (handle) (Fig. 4 & 5)

#### CAUTION:

- Always be sure that the side grip is installed securely before operation.

Remove one of the screws which secure gear housing and head cover, then screw the side grip on the tool.

### Installing or removing abrasive disc (Fig. 6 & 7)

#### NOTE:

- Use sander accessories specified in this manual. These must be purchased separately.

Mount the rubber pad onto the spindle. Fit the disc on the rubber pad and screw the lock nut onto the spindle. To tighten the lock nut, press the shaft lock firmly so that the spindle cannot revolve, then use the lock nut wrench and securely tighten clockwise.

To remove the disc, follow the installation procedure in reverse.

## OPERATION

### WARNING:

- It should never be necessary to force the tool. The weight of the tool applies adequate pressure. Forcing and excessive pressure could cause dangerous wheel breakage.

#### CAUTION:

- Never switch on the tool when it is in contact with the workpiece, it may cause an injury to operator.
- Never run the tool without the abrasive disc. You may seriously damage the pad.
- Always wear safety goggles or a face shield during operation.
- After operation, always switch off the tool and wait until the disc has come to a complete stop before putting the tool down.

ALWAYS hold the tool firmly with one hand on rear handle and the other on the side handle. Turn the tool on and then apply the abrasive disc to the workpiece.

In general, keep the abrasive disc at an angle of about 15 degrees to the workpiece surface. (Fig. 8)

Apply slight pressure only. Excessive pressure will result in poor performance and premature wear to abrasive disc.

## MAINTENANCE

### CAUTION:

- Always be sure that the tool is switched off and unplugged before attempting to perform inspection or maintenance.

The tool and its air vents have to be kept clean. Regularly clean the tool's air vents or whenever the vents start to become obstructed. (Fig. 9)

## Replacing carbon brushes (Fig. 10 & 11)

When the resin insulating tip inside the carbon brush is exposed to contact the commutator, it will automatically shut off the motor. When this occurs, both carbon brushes should be replaced. Keep the carbon brushes clean and free to slip in the holders. Both carbon brushes should be replaced at the same time. Use only identical carbon brushes.

Use a screwdriver to remove the brush holder caps. Take out the worn carbon brushes, insert the new ones and secure the brush holder caps.

To maintain product SAFETY and RELIABILITY, repairs, any other maintenance or adjustment should be performed by Makita Authorized Service Centers, always using Makita replacement parts.

## ACCESSORIES

### CAUTION:

- These accessories or attachments are recommended for use with your Makita tool specified in this manual. The use of any other accessories or attachments might present a risk of injury to persons. Only use accessory or attachment for its stated purpose.

If you need any assistance for more details regarding these accessories, ask your local Makita service center.

- Rubber pad
- Abrasive discs
- Lock nut
- Lock nut wrench
- Side grip (handle)

ENG102-2

## For European countries only

### Noise

The typical A-weighted noise level determined according to EN60745:

- Sound pressure level ( $L_{pA}$ ): 88 dB (A)
- Sound power level ( $L_{WA}$ ): 99 dB (A)
- Uncertainty (K): 3 dB (A)

### Wear ear protection.

ENG228-4

### Vibration

The vibration total value (tri-axial vector sum) determined according to EN60745-2-3:

- Work mode: disc sanding
- Vibration emission ( $a_{h, SG}$ ): 2.5 m/s<sup>2</sup> or less
- Uncertainty (K): 1.5 m/s<sup>2</sup>

If the tool is used for other applications, the vibration values may be different.

ENG901-1

- The declared vibration emission value has been measured in accordance with the standard test method and may be used for comparing one tool with another.
- The declared vibration emission value may also be used in a preliminary assessment of exposure.

### WARNING:

- The vibration emission during actual use of the power tool can differ from the declared emission value depending on the ways in which the tool is used.
- Be sure to identify safety measures to protect the operator that are based on an estimation of exposure in the actual conditions of use (taking account of all parts of the operating cycle such as the times when the tool is switched off and when it is running idle in addition to the trigger time).

## EC Declaration of Conformity

**We Makita Corporation as the responsible manufacturer declare that the following Makita machine(s):**

Designation of Machine: Angle Sander

Model No./ Type: SA7000C

are of series production and

**Conforms to the following European Directives:**

98/37/EC until 28th December 2009 and then with 2006/42/EC from 29th December 2009

And are manufactured in accordance with the following standards or standardised documents:

EN60745

The technical documentation is kept by our authorized representative in Europe who is:

Makita International Europe Ltd.

Michigan Drive, Tongwell,

Milton Keynes, MK15 8JD, England

30th January 2009




Tomoyasu Kato  
Director

Makita Corporation  
3-11-8, Sumiyoshi-cho,  
Anjo, Aichi, JAPAN

**Descriptif**

1 Blocage de l'arbre	6 Disque abrasif	11 Commutateur
2 Bouton de blocage	7 Plateau en caoutchouc	12 Extrémité isolante
3 Gâchette	8 Clé à contre-écrou	13 Charbon
4 Cadran de réglage de la vitesse	9 Sortie d'air	14 Tournevis
5 Contre-écrou	10 Entrée d'air	15 Bouchon du porte-charbon

**SPÉCIFICATIONS**

<b>Modèle</b>	<b>SA7000C</b>
Diamètre du disque .....	180 mm
Filetage de l'arbre .....	M14
Vitesse nominale (n) / Vitesse à vide (n <sub>0</sub> )...0 – 4 000 min <sup>-1</sup>	
Longueur totale .....	453 mm
Poids net .....	3,4 kg
Catégorie de sécurité .....	 /II

- Etant donné l'évolution constante de notre programme de recherche et de développement, les spécifications contenues dans ce manuel sont sujettes à modification sans préavis.
- Les spécifications peuvent varier suivant les pays.
- Poids selon la procédure EPTA 01/2003

**Utilisations**

L'outil est conçu pour le ponçage des grandes surfaces de bois, de plastique et de métal, ainsi que des surfaces peintes.

**Alimentation**

L'outil ne devra être raccordé qu'à une alimentation de la même tension que celle qui figure sur la plaque signalétique, et il ne pourra fonctionner que sur un courant secteur monophasé. Réalisé avec une double isolation, il est conforme à la réglementation européenne et peut de ce fait être alimenté sans mise à la terre.

GEA010-1

**Consignes de sécurité générales pour outils électriques**

**⚠ MISE EN GARDE** Veuillez lire toutes les mises en garde et toutes les instructions. Il y a risque de choc électrique, d'incendie et/ou de blessure grave si les mises en garde et les instructions ne sont pas respectées.

**Conservez toutes les mises en garde et instructions pour référence ultérieure.**

GEB036-2

**RÈGLES DE SÉCURITÉ PARTICULIÈRES**

**NE** vous laissez **PAS** tromper (au fil d'une utilisation répétée) par un sentiment d'aisance et de familiarité avec l'outil, en négligeant le respect rigoureux des consignes de sécurité qui accompagnent la ponceuse. Si vous n'utilisez pas cet outil de façon sûre et adéquate, vous courez un risque de blessure grave.

**Consignes de sécurité communes aux travaux de ponçage :**

- 1. Cet outil électrique est conçu pour l'utilisation en tant que ponceuse. Veuillez lire les consignes de sécurité, instructions, illustrations et spécifications qui accompagnent cet outil électrique.** Il y a risque de choc électrique, d'incendie et/ou de blessure grave si les instructions ci-dessous ne sont pas toutes respectées.
- 2. Il n'est pas recommandé d'exécuter de travaux de meulage, de brossage métallique, de polissage ou de tronçonnage avec cet outil électrique.** Il y a risque de danger et de blessure si l'outil électrique est utilisé pour exécuter des travaux pour lesquels il n'a pas été conçu.
- 3. N'utilisez pas d'accessoires non spécifiquement conçus et recommandés par le fabricant de l'outil.** Même s'il est possible de fixer un accessoire à l'outil électrique, cela ne garantit pas qu'il fonctionnera de manière sûre.
- 4. La vitesse nominale de l'accessoire doit être au moins égale à la vitesse maximale indiquée sur l'outil électrique.** Les accessoires utilisés à une vitesse supérieure à leur vitesse nominale peuvent se casser et voler en éclats.
- 5. Le diamètre extérieur et l'épaisseur de l'accessoire ne doivent pas dépasser la capacité nominale de l'outil électrique.** La maîtrise et la protection des accessoires de format incorrect ne peuvent être garantis.
- 6. La taille de l'alésage des semelles ou autres accessoires doit être bien adaptée à la taille de l'axe de l'outil électrique.** Un accessoire dont les alésages ne sont pas bien adaptés à la taille de la pièce où il est monté sur l'outil électrique se déséquilibrera, vibrera trop et pourra entraîner une perte de maîtrise de l'outil.
- 7. N'utilisez pas l'accessoire s'il est endommagé.** Avant chaque utilisation, vérifiez les accessoires tels que la semelle, pour y détecter la présence de fissures ou d'usure excessive. Si vous échappez l'outil électrique ou un accessoire, assurez-vous qu'il n'est pas endommagé et remplacez-le en cas de dommage. Après avoir vérifié et installé un accessoire, assurez-vous que personne, y compris vous-même, ne se trouve au même niveau que l'accessoire rotatif, et faites tourner l'outil électrique à vitesse maximale, sans charge, pendant une minute. Normalement l'accessoire se cassera lors de ce test s'il est endommagé.



8. **Portez des dispositifs de protection personnelle. Suivant le type de travail à effectuer, utilisez un écran facial, des lunettes étanches ou des lunettes de sécurité. Au besoin, portez un masque antipoussières, des protecteurs d'oreilles, des gants ou un tablier de travail assurant une protection contre les petits fragments de pièce.** La protection des yeux doit pouvoir arrêter les débris éjectés lors des divers travaux. Le masque antipoussières ou le masque filtrant doit pouvoir filtrer les particules générées lors des travaux. L'exposition prolongée à un bruit d'intensité élevée peut entraîner la surdité.
  9. **Assurez-vous que les curieux demeurent à une distance sûre de la zone de travail. Toute personne pénétrant dans la zone de travail doit porter des dispositifs de protection personnelle.** Des fragments de pièce ou un accessoire cassé peuvent être éjectés et blesser les personnes présentes dans la zone de travail.
  10. **Saisissez l'outil électrique uniquement par ses surfaces de poigne isolées lorsque vous effectuez des travaux au cours desquels l'accessoire tranchant peut entrer en contact avec des fils cachés ou avec le cordon d'alimentation de l'outil.** Le contact de l'accessoire tranchant avec un fil sous tension peut également mettre sous tension les parties métalliques exposées de l'outil électrique, causant ainsi un choc électrique chez l'utilisateur.
  11. **Placez le cordon à l'écart de l'accessoire tournant.** Si vous perdez la maîtrise de l'outil, vous risquez de couper ou d'accrocher le cordon, et l'accessoire tournant risque de vous happer une main ou un bras.
  12. **Ne déposez jamais l'outil électrique avant que l'accessoire n'ait complètement cessé de tourner.** L'accessoire tournant risquerait d'accrocher la surface et d'entraîner une perte de maîtrise de l'outil électrique.
  13. **Ne laissez pas tourner l'outil électrique lorsque vous le transportez.** L'accessoire tournant risquerait d'entrer accidentellement en contact avec vos vêtements et d'être ensuite attiré vers votre corps.
  14. **Nettoyez régulièrement les orifices de ventilation de l'outil électrique.** Le ventilateur du moteur attire la poussière à l'intérieur du carter et l'accumulation excessive de poudre métallique peut causer un danger électrique.
  15. **N'utilisez pas l'outil électrique près des matériaux inflammables.** Les étincelles peuvent allumer ces matériaux.
  16. **N'utilisez pas d'accessoires pour lesquels l'utilisation d'un liquide de refroidissement est nécessaire.** L'utilisation d'eau ou d'un liquide de refroidissement comporte un risque d'électrocution ou de choc électrique.
  17. **Mises en garde concernant les chocs en retour**  
Le choc en retour est une réaction soudaine qui survient lorsque la semelle ou un autre accessoire en rotation accroche. Cela provoque l'arrêt rapide de l'accessoire en rotation et l'utilisateur perd alors la maîtrise de l'outil électrique projeté dans le sens contraire de sa rotation au point où il se coince dans la pièce. Le choc en retour est le résultat d'une mauvaise utilisation de l'outil électrique et/ou de procédures ou conditions inadéquates de travail. Il peut être évité en prenant les mesures appropriées, tel qu'indiqué ci-dessous.
    - a) **Maintenez une poigne ferme sur l'outil électrique, et placez corps et bras de façon à assurer une bonne résistance aux forces de choc en retour. Utilisez toujours la poignée auxiliaire lorsque cette dernière est disponible, pour assurer une maîtrise maximale de l'outil en cas de choc en retour ou de couple de réaction au moment du démarrage.** L'utilisateur peut maîtriser l'effet du couple de réaction ou du choc en retour s'il prend les précautions nécessaires.
    - b) **Ne placez jamais la main près d'un accessoire en rotation.** L'accessoire risquerait de passer sur la main en cas de choc en retour.
    - c) **Ne vous placez pas dans la zone vers laquelle l'outil électrique se déplacera en cas de choc en retour.** Le choc en retour projettera l'outil dans le sens opposé au mouvement de la meule au point où elle accroche dans la pièce.
    - d) **Soyez tout particulièrement prudent lorsque vous travaillez dans les coins, sur des bords tranchants, etc. Évitez de laisser l'accessoire bondir ou accrocher.** L'accessoire en rotation a tendance à accrocher, entraînant une perte de maîtrise ou un choc en retour, au contact des coins et des bords tranchants, ou lorsqu'il bondit.
    - e) **Ne fixez pas une lame de tronçonneuse ou une lame dentée.** De telles lames causent fréquemment des chocs en retour et des pertes de maîtrise.
- Consignes de sécurité spécifiques aux travaux de ponçage :**
18. **N'utilisez pas du papier abrasif de trop grande taille. Suivez les recommandations du fabricant pour choisir le papier abrasif.** Il y a risque de laceration si le papier abrasif dépasse de la semelle, et le disque risque alors d'accrocher, de s'user plus vite ou de provoquer un choc en retour.
  19. **Avant l'utilisation, assurez-vous que la semelle ne comporte aucune fissure et qu'elle n'est pas endommagée ou déformée. Veuillez remplacer immédiatement toute semelle fissurée, endommagée déformée.**
  20. **NE JAMAIS utiliser cet outil avec des lames à bois ou autres lames de scie. Les lames de ce type sautent fréquemment lorsque utilisées sur une ponceuse, et elles peuvent alors entraîner une perte de maîtrise pouvant causer des blessures.**
  21. **Tenez l'outil fermement.**
  22. **Gardez les mains éloignées des pièces en rotation.**

23. Assurez-vous que le disque abrasif n'entre pas en contact avec la pièce à travailler avant de mettre l'interrupteur sous tension.
24. Lorsque vous poncez des surfaces métalliques, prenez garde aux étincelles. Tenez l'outil de sorte que les étincelles ne jaillissent pas vers vous, vers une personne présente ou vers un matériau inflammable.
25. Ne laissez pas tourner l'outil après l'utilisation. Ne faites fonctionner l'outil qu'une fois que vous l'avez bien en main.
26. Ne touchez pas la pièce immédiatement après avoir terminé le travail ; elle peut être très chaude et vous brûler la peau.
27. Vérifiez que la pièce est correctement soutenue.
28. Soyez conscient que la meule continue de tourner une fois l'outil mis hors tension.
29. Cet outil n'ayant pas été imperméabilisé, la surface de la pièce à travailler doit être exempte d'eau.
30. Aérez votre aire de travail de manière adéquate lorsque vous effectuez des travaux de ponçage.
31. L'utilisation de cet outil pour poncer certains produits, les surfaces peintes et le bois peut exposer l'utilisateur à des poussières qui contiennent des substances dangereuses. Utilisez une protection des voies respiratoires appropriée.
32. Avant d'effectuer toute intervention sur l'outil, assurez-vous toujours qu'il est hors tension et débranché.
33. Si le site de travail est extrêmement chaud et humide, ou s'il y a beaucoup de poussières conductrices dans l'air, utilisez un coupe-circuit (30 mA) pour assurer votre sécurité.
34. N'utilisez l'outil sur aucun matériau contenant de l'amiante.
35. Certains matériaux contiennent des produits chimiques qui peuvent être toxiques. Prenez les précautions nécessaires pour ne pas inhaler les poussières qu'ils dégagent et pour éviter tout contact avec la peau. Conformez-vous aux consignes de sécurité du fabricant.
36. Utilisez toujours un masque antipoussières ou un masque filtrant approprié au matériau à travailler et à l'outil utilisé.
37. Assurez-vous que les orifices de ventilation sont toujours bien dégagés lorsque vous travaillez dans des conditions poussiéreuses. Lorsqu'il devient nécessaire de retirer la poussière accumulée, débranchez d'abord l'outil de la prise secteur (utilisez un objet non métallique) et prenez garde d'endommager les pièces internes.

## CONSERVEZ CES INSTRUCTIONS.

## DESCRIPTION DU FONCTIONNEMENT

### ATTENTION :

- Assurez-vous toujours que l'outil est hors tension et débranché avant de l'ajuster ou de vérifier son fonctionnement.

### Blocage de l'arbre (Fig. 1)

#### ATTENTION :

- N'actionnez jamais le blocage de l'arbre lorsque l'axe est en mouvement. Vous pourriez endommager l'outil.

Appuyez sur le blocage de l'arbre pour éviter que l'axe ne tourne lors de l'installation ou du retrait des accessoires.

### Interrupteur (Fig. 2)

#### ATTENTION :

- Avant de brancher l'outil, assurez-vous toujours que la gâchette fonctionne correctement et revient en position "OFF" une fois relâchée.

Pour mettre l'outil en marche, tirez simplement sur la gâchette. Plus vous appuyez sur la gâchette, plus la vitesse augmente. Pour arrêter l'outil, relâchez la gâchette.

Pour une utilisation continue, appuyez sur la gâchette puis enfoncez le bouton de blocage.

Pour arrêter l'outil à partir de la position bloquée, tirez à fond sur la gâchette puis relâchez-la.

### Cadran de réglage de la vitesse (Fig. 3)

La vitesse de rotation peut être modifiée en tournant le cadran de réglage de la vitesse sur un numéro de réglage donné, de 1 à 6 (6 à la fois lorsque la gâchette est complètement enfoncée).

Une vitesse plus élevée est obtenue lorsque le cadran est tourné dans le sens du numéro 6. Une vitesse plus basse est obtenue lorsqu'il est tourné dans le sens du numéro 1.

Reportez-vous au tableau qui suit pour le rapport entre les réglages numérotés sur le cadran et la vitesse approximative de rotation.

Numéro	min <sup>-1</sup> (R.P.M.)
1	1 500
2	1 700
3	2 000
4	2 500
5	3 300
6	4 000

### ATTENTION :

- Le cadran de réglage de la vitesse ne peut pas être tourné plus haut que 6 ou plus bas que 1. N'essayez pas de le placer au-delà de 6 ou en dessous de 1, sinon le réglage de la vitesse risque de ne plus fonctionner.
- Le moteur sera surchargé et chauffera si l'outil est constamment utilisé à vitesse réduite.

## Fonctions électroniques

Les caractéristiques suivantes des outils munis de fonctions électroniques facilitent leur utilisation.

### Commande de vitesse constante

La vitesse étant maintenue constante même dans des conditions de lourde charge de travail, il est possible d'atteindre une grande finesse de finition.

De plus, lorsque la charge imposée à l'outil dépasse le niveau permis, l'alimentation du moteur est réduite pour le protéger contre la surchauffe. Le fonctionnement normal de l'outil est rétabli lorsque la charge imposée revient à un niveau permis.

### Fonction de démarrage en douceur

La suppression du choc de démarrage permet un démarrage en douceur.

## ASSEMBLAGE

### ATTENTION :

- Avant d'effectuer toute intervention sur l'outil, assurez-vous toujours qu'il est hors tension et débranché.

### Installation de la poignée latérale (manche) (Fig. 4 et 5)

#### ATTENTION :

- Avant d'utiliser l'outil, assurez-vous toujours que la poignée latérale est installée de façon sûre.

Retirez une des vis qui retiennent le carter de l'engrenage et le couvercle supérieur, puis vissez la poignée latérale sur l'outil.

### Installation ou retrait du disque abrasif (Fig. 6 et 7)

#### NOTE :

- Utilisez les accessoires de ponçage recommandés dans le présent manuel d'instructions. Ces derniers doivent être achetés séparément.

Montez le plateau en caoutchouc sur l'arbre. Ajustez le disque sur le plateau en caoutchouc et vissez le contre-écrou sur l'arbre. Pour serrer le contre-écrou, appuyez fermement sur le blocage de l'arbre pour empêcher l'arbre de tourner, puis utilisez la clé à contre-écrou pour serrer fermement dans le sens des aiguilles d'une montre.

Pour retirer le disque, suivez la procédure d'installation dans l'ordre inverse.

## UTILISATION

### AVERTISSEMENT :

- Il n'est jamais nécessaire de forcer l'outil. Le poids de l'outil lui-même suffit à assurer une pression adéquate. En forçant l'outil ou en appliquant une pression excessive dessus vous courrez le risque dangereux de casser la meule.

### ATTENTION :

- Ne mettez jamais l'outil en marche alors qu'il se trouve en contact avec la pièce à travailler, pour éviter de vous blesser.
- Ne faites jamais marcher l'outil sans le disque abrasif. Vous pourriez gravement endommager le plateau.
- Pendant l'utilisation, portez toujours des lunettes de sécurité ou un masque de protection.
- Après l'utilisation, mettez toujours l'outil hors tension et attendez l'arrêt complet du disque avant de déposer l'outil.

Tenez TOUJOURS l'outil fermement en posant une main sur le manche arrière et l'autre main sur le manche latéral. Mettez l'outil en marche puis posez le disque abrasif sur la pièce à travailler.

En général, vous devez maintenir le disque abrasif sur un angle d'environ 15 degrés par rapport à la surface de la pièce à travailler. (Fig. 8)

Appliquez seulement une légère pression. Une pression excessive entraînerait une performance médiocre et l'usure très rapide du disque abrasif.

## ENTRETIEN

### ATTENTION :

- Avant d'effectuer tout travail d'inspection ou de maintenance sur l'outil, assurez-vous toujours qu'il est à l'arrêt et débranché.

L'outil et ses orifices d'aération doivent être maintenus propres. Nettoyez régulièrement les orifices d'aération de l'outil, ou chaque fois qu'ils commencent à se boucher. (Fig. 9)

### Remplacement des charbons (Fig. 10 et 11)

Lorsque la pointe isolante en résine qui se trouve à l'intérieur du charbon est exposée au contact avec le commutateur, l'alimentation du moteur est automatiquement coupée. Lorsque cela se produit, les deux charbons doivent être changés. Maintenez les porte-charbons propres et libres de glisser dans les porte-charbons. Les deux charbons doivent être remplacés en même temps. N'utilisez que des charbons identiques.

Utilisez un tournevis pour retirer les bouchons de porte-charbon. Enlevez les charbons usés, insérez-en de nouveaux et revissez solidement les bouchons de porte-charbon.

Pour maintenir la SÉCURITÉ et la FIABILITÉ du produit, les réparations et tout autre travail d'entretien ou de réglage doivent être effectués dans un centre de service après-vente Makita agréé, exclusivement avec des pièces de rechange Makita.

## ACCESSOIRES

### ATTENTION :

- Les accessoires ou pièces supplémentaires qui suivent sont recommandés pour l'utilisation avec l'outil Makita spécifié dans ce manuel. L'utilisation de tout autre accessoire ou pièce supplémentaire peut comporter un risque de blessure. Utilisez uniquement l'accessoire ou la pièce supplémentaire dans le but spécifié.

Pour obtenir plus de détails sur ces accessoires, contactez votre Centre d'Entretien local Makita

- Plateau en caoutchouc
- Disques abrasifs
- Contre-écrou
- Clé à contre-écrou
- Poignée latérale (manche)

**Pour les pays d'Europe uniquement****Bruit**

Niveau de bruit pondéré A typique, déterminé selon EN60745 :

Niveau de pression sonore ( $L_{pA}$ ) : 88 dB (A)  
 Niveau de puissance sonore ( $L_{WA}$ ) : 99 dB (A)  
 Incertitude (K) : 3 dB (A)

**Porter des protecteurs anti-bruit.**

ENG228-4

**Vibrations**

Valeur totale de vibrations (somme de vecteur triaxial) déterminée selon EN60745-2-3 :

Mode de travail : ponçage avec disque  
 Émission de vibrations ( $a_{h, SQ}$ ) : 2,5 m/s<sup>2</sup> ou moins  
 Incertitude (K) : 1,5 m/s<sup>2</sup>

Si l'outil est utilisé pour d'autres applications, il se peut que les valeurs de vibration soient différentes.

ENG901-1

- La valeur d'émission de vibrations déclarée a été mesurée conformément à la méthode de test standard et peut être utilisée pour comparer les outils entre eux.
- La valeur d'émission de vibrations déclarée peut aussi être utilisée pour l'évaluation préliminaire de l'exposition.

**AVERTISSEMENT :**

- L'émission de vibrations lors de l'usage réel de l'outil électrique peut être différente de la valeur d'émission déclarée, suivant la façon dont l'outil est utilisé.
- Les mesures de sécurité à prendre pour protéger l'utilisateur doivent être basées sur une estimation de l'exposition dans des conditions réelles d'utilisation (en tenant compte de toutes les composantes du cycle d'utilisation, comme par exemple le moment de sa mise hors tension, lorsqu'il tourne à vide et le moment de son déclenchement).

**Déclaration de conformité CE**

**Makita Corporation, en tant que fabricant responsable, déclare que la ou les machines suivantes :**

Désignation de la machine : Ponceuse angulaire  
 N° de modèle / Type : SA7000C  
 sont produites en série et

**sont conformes aux Directives européennes suivantes :**

98/37/CE jusqu'au 28 décembre 2009, puis 2006/42/CE à compter du 29 décembre 2009

et qu'elles sont fabriquées conformément aux normes ou documents normalisés suivants :

EN60745

La documentation technique est conservée par notre représentant agréé en Europe, à savoir :

Makita International Europe Ltd.  
 Michigan Drive, Tongwell,  
 Milton Keynes, MK15 8JD, Angleterre

30 janvier 2009




Tomoyasu Kato  
 Directeur

Makita Corporation  
 3-11-8, Sumiyoshi-cho,  
 Anjo, Aichi, JAPAN

Übersicht

1 Spindel-Arretiertaste	6 Schleifscheibe	11 Kollektor
2 Arretierknopf	7 Gummiteller	12 Isolierstift
3 EIN-/AUS-Schalter	8 Sicherungsmutterschlüssel	13 Kohlebürste
4 Drehzahl-Stellrad	9 Auslassöffnung	14 Schraubendreher
5 Sicherungsmutter	10 Einlassöffnung	15 Bürstenhalterkappe

TECHNISCHE DATEN

<b>Modell</b>	<b>SA7000C</b>
Scheibendurchmesser.....	180 mm
Spindelgewinde .....	M14
Nendrehzahl (n) / Leerlaufdrehzahl (n <sub>0</sub> ) ...	0 – 4 000 min <sup>-1</sup>
Gesamtlänge .....	453 mm
Nettogewicht .....	3,4 kg
Sicherheitsklasse.....	 /II

- Wir behalten uns vor, Änderungen im Zuge der Entwicklung und des technischen Fortschritts ohne vorherige Ankündigung vorzunehmen.
- Die technischen Daten können von Land zu Land abweichen.
- Gewicht nach EPTA-Verfahren 01/2003

Vorgesehene Verwendung


Das Werkzeug ist für das Schleifen großer Flächen aus Holz, Kunststoff und Metall sowie lackierter Flächen vorgesehen.

Netzanschluß

Die Maschine darf nur an die auf dem Typenschild angegebene Netzspannung angeschlossen werden und arbeitet nur mit Einphasen- Wechselspannung. Sie ist entsprechend den Europäischen Richtlinien doppelt schutzisoliert und kann daher auch an Steckdosen ohne Erdanschluß betrieben werden.

GEA010-1

Allgemeine Sicherheitswarnungen für Elektrowerkzeuge

 **WARNUNG** Lesen Sie alle Sicherheitswarnungen und Anweisungen durch. Eine Missachtung der unten aufgeführten Warnungen und Anweisungen kann zu einem elektrischen Schlag, Brand und/oder schweren Verletzungen führen.

Bewahren Sie alle Warnungen und Anweisungen für spätere Bezugnahme auf.

GEB036-2

SPEZIELLE SICHERHEITSREGELN

Lassen Sie sich NICHT durch Bequemlichkeit oder Vertrautheit mit dem Produkt (durch wiederholten Gebrauch erworben) von der strikten Einhaltung der Schleifer-Sicherheitsregeln abhalten. Wenn Sie diese Maschine auf unsichere oder unsachgemäße Weise benutzen, können Sie schwere Verletzungen erleiden.

Allgemeine Sicherheitswarnungen für Schleifbetrieb:

1. Dieses Elektrowerkzeug ist für den Einsatz als Schleifer vorgesehen. Lesen Sie alle mit diesem Elektrowerkzeug gelieferten Sicherheitswarnungen, Anweisungen, Abbildungen und technischen Daten durch. Eine Missachtung der unten aufgeführten Anweisungen kann zu einem elektrischen Schlag, Brand und/oder schweren Verletzungen führen.

2. **Arbeiten, wie Trennschleifen, Drahtbürsten, Polieren oder Abschneiden mit diesem Elektrowerkzeug, sind nicht zu empfehlen.** Benutzungsweisen, für die das Elektrowerkzeug nicht ausgelegt ist, können Gefahren erzeugen und Verletzungen verursachen.
3. **Verwenden Sie kein Zubehör, das nicht speziell vom Werkzeughersteller vorgesehen ist und empfohlen wird.** Die bloße Tatsache, dass ein Zubehörteil an Ihrem Elektrowerkzeug angebracht werden kann, gewährleistet noch keinen sicheren Betrieb.
4. **Die Nendrehzahl des Zubehörteils muss mindestens der am Elektrowerkzeug angegebenen Maximaldrehzahl entsprechen.** Zubehörteile, die schneller als ihre Nendrehzahl rotieren, können bersten und auseinander fliegen.
5. **Außendurchmesser und Dicke des Zubehörteils müssen innerhalb der Kapazitätsgrenzen Ihres Elektrowerkzeugs liegen.** Zubehörteile der falschen Größe können nicht angemessen geschützt oder kontrolliert werden.
6. **Die Wellengröße von Schleiftellern oder anderen Zubehörteilen muss genau der Spindelgröße des Elektrowerkzeugs entsprechen.** Zubehörteile, deren Spindelbohrung nicht genau auf den Montageflansch des Elektrowerkzeugs passt, laufen unruhig, vibrieren übermäßig und können einen Verlust der Kontrolle verursachen.
7. **Verwenden Sie keine beschädigten Zubehörteile. Überprüfen Sie das Zubehörteil (z. B. Schleifeteller) vor jedem Gebrauch auf Brüche, Risse oder übermäßigen Verschleiß.** Falls das Elektrowerkzeug oder das Zubehörteil herunterfällt, überprüfen Sie es auf Beschädigung, oder montieren Sie ein unbeschädigtes Zubehörteil. Achten Sie nach der Überprüfung und Installation eines Zubehörteils darauf, dass Sie selbst und Umstehende nicht in der Rotationsebene des Zubehörteils stehen, und lassen Sie das Elektrowerkzeug eine Minute lang mit maximaler Leerlaufdrehzahl laufen. Ein beschädigtes Zubehörteil bricht normalerweise während dieses Probelaufs auseinander.
8. **Tragen Sie Schutzausrüstung. Benutzen Sie je nach der Arbeit einen Gesichtsschutz bzw. eine Sicherheits- oder Schutzbrille. Tragen Sie bei Bedarf eine Staubmaske, Ohrschützer, Handschuhe und eine Arbeitsschürze, die in der Lage ist, kleine Werkstücksplitter abzuwehren.** Der Augenschutz muss in der Lage sein, den bei verschiedenen Arbeiten anfallenden Flugstaub abzuwehren. Die Staubmaske oder Atemschutzmaske muss in der Lage sein, durch die Arbeit erzeugte Partikel herauszufiltern. Lang anhaltende Lärmbelastung kann zu Gehörschäden führen.

9. **Halten Sie Umstehende in sicherem Abstand vom Arbeitsbereich.** Jeder, der den Arbeitsbereich betritt, muss Schutzausrüstung tragen. Bruchstücke des Werkstücks oder eines beschädigten Zubehörs können weggeschleudert werden und Verletzungen über den unmittelbaren Arbeitsbereich hinaus verursachen.
10. **Halten Sie das Elektrowerkzeug nur an den isolierten Griffflächen, wenn Sie Arbeiten ausführen, bei denen die Gefahr besteht, dass verborgene Kabel oder das eigene Kabel kontaktiert werden.** Bei Kontakt mit einem Strom führenden Kabel werden die freiliegenden Metallteile des Elektrowerkzeugs ebenfalls Strom führend, so dass der Benutzer einen elektrischen Schlag erleiden kann.
11. **Halten Sie das Kabel vom rotierenden Zubehörtel fern.** Falls Sie die Kontrolle verlieren, kann das Kabel durchgetrennt oder erfasst werden, so dass Ihre Hand oder Ihr Arm in das rotierende Zubehörtel hineingezogen wird.
12. **Legen Sie das Elektrowerkzeug erst ab, nachdem das Zubehörtel zum vollständigen Stillstand gekommen ist.** Anderenfalls kann das rotierende Zubehörtel die Oberfläche erfassen und das Elektrowerkzeug aus Ihren Händen reißen.
13. **Lassen Sie das Elektrowerkzeug nicht laufen, während Sie es an Ihrer Seite tragen.** Das rotierende Zubehörtel könnte sonst bei versehentlichem Kontakt Ihre Kleidung erfassen und auf Ihren Körper zu gezogen werden.
14. **Reinigen Sie die Ventilationsöffnungen des Elektrowerkzeugs regelmäßig.** Der Lüfter des Motors saugt Staub in das Gehäuse an, und starke Ablagerungen von Metallstaub können elektrische Gefahren verursachen.
15. **Betreiben Sie das Elektrowerkzeug nicht in der Nähe von brennbaren Materialien.** Funken könnten diese Materialien entzünden.
16. **Verwenden Sie keine Zubehörtel, die Kühlfüssigkeiten erfordern.** Die Verwendung von Wasser oder anderen Kühlfüssigkeiten kann zu einem Stromschlag führen.
17. **Warnungen vor Rückschlag und damit zusammenhängenden Gefahren**  
Ein Rückschlag ist eine plötzliche Reaktion auf das Hängenbleiben eines Schleiftellers oder eines anderen Zubehörs. Hängenbleiben verursacht sofortiges Stocken des rotierenden Zubehörs, was wiederum dazu führt, dass das außer Kontrolle geratene Elektrowerkzeug am Stockpunkt in die entgegengesetzte Drehrichtung des Zubehörs geschleudert wird. Rückschlag ist das Resultat falscher Handhabung des Elektrowerkzeugs und/oder falscher Arbeitsverfahren oder -bedingungen und kann durch Anwendung der nachstehenden Vorichtsmaßnahmen vermieden werden.
  - a) **Halten Sie das Elektrowerkzeug mit festem Griff, und positionieren Sie Ihren Körper und Arm so, dass Sie die Rückschlagkräfte auffangen können.** Benutzen Sie stets den Zusatzgriff, wenn vorhanden, um maximale Kontrolle über Rückschlag oder Drehbewegungen während des Anlaufs zu haben. Drehbewegungen oder Rückschlagkräfte können kontrolliert werden, wenn entsprechende Vorkehrungen getroffen werden.

- b) **Halten Sie Ihre Hand niemals in die Nähe des rotierenden Zubehörs.** Bei einem Rückschlag könnte das Zubehörtel Ihre Hand verletzen.
- c) **Stellen Sie sich nicht in den Bereich, in den das Elektrowerkzeug bei Auftreten eines Rückschlags geschleudert wird.** Der Rückschlag schleudert die Maschine am Stockpunkt in die entgegengesetzte Drehrichtung der Schleifscheibe.
- d) **Lassen Sie beim Bearbeiten von Ecken und scharfen Kanten usw. besondere Vorsicht walten. Vermeiden Sie Anstoßen und Verhaken des Zubehörs.** Ecken, scharfe Kanten oder Anstoßen führen leicht zu Hängenbleiben des rotierenden Zubehörs und verursachen Verlust der Kontrolle oder Rückschlag.
- e) **Montieren Sie keine Sägeketten, Holzfräsen oder gezahnte Sägeblätter.** Solche Zubehörtel verursachen häufige Rückschläge und Verlust der Kontrolle.

#### **Spezielle Sicherheitswarnungen für Schleifbetrieb:**

18. **Verwenden Sie keine übergroßen Schleifscheiben.** Befolgen Sie die Herstellerempfehlungen bei der Wahl des Schleifpapiers. Größeres Schleifpapier, das über den Schleifteller hinausragt, stellt eine Gefahr für Schnittwunden dar und kann Hängenbleiben oder Zerreißen der Schleifscheibe oder Rückschlag verursachen.
19. **Überprüfen Sie den Schleifteller vor dem Betrieb sorgfältig auf Risse, Beschädigung oder Verformung.** Ein gerissener, beschädigter oder verformter Schleifteller muss unverzüglich ausgewechselt werden.
20. **Verwenden Sie die Maschine NIEMALS mit Holz- und anderen Sägeblättern.** Solche Sägeblätter verursachen bei Verwendung an einer Schleifmaschine häufiges Rückschlagen und Verlust der Kontrolle, was zu Verletzungen führen kann.
21. **Halten Sie die Maschine mit festem Griff.**
22. **Halten Sie die Hände von rotierenden Teilen fern.**
23. **Vergewissern Sie sich vor dem Einschalten der Maschine, dass die Schleifscheibe nicht das Werkstück berührt.**
24. **Achten Sie beim Schleifen von Metalloberflächen auf Funkenflug.** Halten Sie die Maschine so, dass Sie und andere Personen oder leicht entzündliche Materialien nicht von den Funken getroffen werden.
25. **Lassen Sie die Maschine nicht unbeaufsichtigt laufen.** Benutzen Sie die Maschine nur mit Handhaltung.
26. **Vermeiden Sie eine Berührung des Werkstücks unmittelbar nach der Bearbeitung, weil es dann noch sehr heiß ist und Hautverbrennungen verursachen kann.**
27. **Vergewissern Sie sich, dass das Werkstück sicher abgestützt ist.**
28. **Beachten Sie, dass sich die Schleifscheibe nach dem Ausschalten der Maschine noch weiterdreht.**
29. **Benetzen Sie die Werkstückoberfläche nicht mit Wasser, weil diese Maschine nicht wasserdicht ist.**

30. Sorgen Sie für angemessene Belüftung des Arbeitsbereichs während der Durchführung von Schleifarbeiten.
31. Der Gebrauch dieser Maschine zum Schleifen bestimmter Produkte, Lacke und Holz kann den Benutzer Staub aussetzen, der gefährliche Substanzen enthält. Verwenden Sie einen geeigneten Atemschutz.
32. Vergewissern Sie sich vor der Ausführung von Arbeiten an der Maschine stets, dass sie ausgeschaltet und vom Stromnetz getrennt ist.
33. Falls der Arbeitsplatz sehr heiß, feucht oder durch leitfähigen Staub stark verschmutzt ist, verwenden Sie einen Kurzschlusschalter (30 mA) zum Schutz des Bedieners.
34. Verwenden Sie diese Maschine nicht zur Bearbeitung von asbesthaltigen Materialien.
35. Manche Materialien können giftige Chemikalien enthalten. Treffen Sie Vorsichtsmaßnahmen, um das Einatmen von Arbeitsstaub und Hautkontakt zu verhüten. Befolgen Sie die Sicherheitsdaten des Materialherstellers.
36. Verwenden Sie stets die korrekte Staubschutz- oder Atemmaske für das jeweilige Material und die Anwendung.
37. Achten Sie beim Arbeiten unter staubigen Bedingungen darauf, dass die Ventilationsöffnungen frei gehalten werden. Sollte die Beseitigung von Staub notwendig sein, trennen Sie die Maschine zuerst vom Stromnetz (nichtmetallische Gegenstände verwenden), und vermeiden Sie eine Beschädigung der Innenteile.

## BEWAHREN SIE DIESE HINWEISE SORGFÄLTIG AUF.

### FUNKTIONSBESCHREIBUNG

#### VORSICHT:

- Vergewissern Sie sich vor jeder Einstellung oder Funktionsprüfung der Maschine stets, dass sie ausgeschaltet und vom Stromnetz getrennt ist.

#### Spindel-Arretiertaste (Abb. 1)

#### VORSICHT:

- Betätigen Sie die Spindel-Arretiertaste niemals bei rotierender Spindel, die Maschine kann beschädigt werden.

Drücken Sie die Spindel-Arretiertaste, um die Spindel beim Montieren oder Demontieren von Zubehör zu blockieren.

#### Schalterfunktion (Abb. 2)

#### VORSICHT:

- Vor dem Anschluß der Maschine an das Stromnetz stets überprüfen, ob der EIN-/AUS-Schalter ordnungsgemäß funktioniert und beim Loslassen in die AUS-Stellung zurückkehrt.

Zum Einschalten der Maschine einfach den EIN-/AUS-Schalter betätigen. Die Drehzahl erhöht sich durch verstärkte Druckausübung auf den Elektronikschalter. Zum Ausschalten der Maschine den EIN-/AUS-Schalter loslassen.

Betätigen Sie für Dauerbetrieb den Ein-Aus-Schalter, und drücken Sie dann den Arretierknopf hinein.

Zum Ausschalten des Dauerbetriebs den EIN-/AUS-Schalter bis zum Anschlag drücken und wieder loslassen.

#### Drehzahl-Stellrad (Fig. 3)

Die Drehzahl kann durch Drehen des Drehzahl-Stellrads auf eine der Stufen von 1 bis 6 verstellt werden (6 bei voller Betätigung des Ein-Aus-Schalters).

Durch Drehen des Stellrads in Richtung der Stufe 6 wird die Drehzahl erhöht. Durch Drehen des Stellrads in Richtung der Stufe 1 wird die Drehzahl verringert.

Die ungefähren Drehzahlen für die einzelnen Stellrad-Positionen sind aus der nachstehenden Tabelle ersichtlich.

Position	min <sup>-1</sup> (Drehzahl)
1	1 500
2	1 700
3	2 000
4	2 500
5	3 300
6	4 000

#### VORSICHT:

- Das Drehzahl-Stellrad lässt sich nur bis 6 und zurück auf 1 drehen. Wird es gewaltsam über 6 oder 1 hinaus gedreht, lässt sich die Drehzahl möglicherweise nicht mehr einstellen.
- Wird die Maschine über längere Zeitspannen im Dauerbetrieb mit niedriger Hubzahl betrieben, wird der Motor überlastet und überhitzt.

#### Elektronikfunktionen

Die mit Elektronikfunktionen ausgestatteten Maschinen weisen die folgenden Merkmale zur Bedienungsvereinfachung auf.

#### Konstantdrehzahlregelung

Feines Finish wird ermöglicht, weil die Drehzahl selbst unter Belastung konstant gehalten wird.

Wenn die Belastung der Maschine das zulässige Maß überschreitet, wird außerdem die Motorleistung reduziert, um den Motor vor Überhitzung zu schützen. Sobald die Belastung auf zulässige Werte abfällt, arbeitet die Maschine wieder normal.

#### Soft-Start-Funktion

Diese Funktion gewährleistet ruckfreies Anlaufen durch Anlaufstoßunterdrückung.

### MONTAGE

#### VORSICHT:

- Vergewissern Sie sich vor der Ausführung von Arbeiten an der Maschine stets, dass sie ausgeschaltet und vom Stromnetz getrennt ist.

#### Montieren des Seitengriffs (Zusatzgriffs) (Abb. 4 und 5)

#### VORSICHT:

- Vergewissern Sie sich vor dem Betrieb stets, dass der Seitengriff einwandfrei montiert ist.

Entfernen Sie eine der Befestigungsschrauben von Getriebehäuser und Kopfabdeckung, und schrauben Sie dann den Seitengriff an der Maschine fest.

## Montage und Demontage der Schleifscheibe (Abb. 6 und 7)

### HINWEIS:

- Verwenden Sie die in dieser Anleitung angegebenen Schleifer-Zubehöerteile. Diese Teile müssen getrennt gekauft werden.

Befestigen Sie den Gummiteller an der Spindel. Passen Sie die Schleifscheibe auf den Gummiteller, und schrauben Sie die Sicherungsmutter auf die Spindel. Zum Anziehen der Sicherungsmutter die Spindelarretierung drücken, um die Spindel zu blockieren; dann die Mutter mit dem Sicherungsmutterschlüssel im Uhrzeigersinn anziehen.

Zum Demontieren der Schleifscheibe ist das Montageverfahren umgekehrt anzuwenden.

## BEDIENUNG

### WARNUNG:

- Die Maschine darf auf keinen Fall gewaltsam ange-drückt werden. Das Eigengewicht der Maschine übt ausreichenden Druck aus. Gewaltanwendung und übermäßiger Druck können zu einem gefährlichen Schleifscheibenbruch führen.

### VORSICHT:

- Schalten Sie die Maschine niemals ein, wenn sie mit dem Werkstück in Berührung ist, weil sonst Verletzungsgefahr für die Bedienungsperson besteht.
- Benutzen Sie die Maschine niemals ohne Schleifscheibe. Der Schleifteller könnte sonst schwer beschädigt werden.
- Tragen Sie bei der Arbeit stets eine Schutzbrille und einen Gesichtsschutz.
- Schalten Sie die Maschine nach der Arbeit stets aus, und warten Sie, bis die Schleifscheibe zum völligen Stillstand gekommen ist, bevor Sie die Maschine ablegen.

Halten Sie die Maschine **IMMER** mit einer Hand am hinteren Griff und mit der anderen am Seitengriff. Schalten Sie die Maschine ein, und setzen Sie dann die Schleifscheibe an das Werkstück an.

Halten Sie die Schleifscheibe im Allgemeinen in einem Winkel von etwa 15° zur Werkstückoberfläche. **(Abb. 8)** Üben Sie nur leichten Druck aus. Übermäßiger Druck führt zu schlechter Schleifleistung und vorzeitigem Verschleiß der Schleifscheibe.

## WARTUNG

### VORSICHT:

- Denken Sie vor der Durchführung von Überprüfungen oder Wartungsarbeiten stets daran, die Maschine aus-zuschalten und vom Stromnetz zu trennen.

Halten Sie die Maschine und ihre Ventilationsöffnungen stets sauber. Reinigen Sie die Ventilationsöffnungen der Maschine regelmäßig oder im Anfangsstadium einer Verstopfung. **(Abb. 9)**

### Auswechseln der Kohlebürsten (Abb. 10 und 11)

Wenn der Kunststoff-Isolierstift in der Kohlebürste freigelegt wird, so dass er den Kollektor berührt, schaltet sich der Motor automatisch aus. In diesem Fall müssen beide Kohlebürsten erneuert werden. Halten Sie die Kohlebürsten stets sauber, damit sie ungehindert in den Haltern gleiten können. Beide Kohlebürsten sollten gleichzeitig erneuert werden. Verwenden Sie nur identische Kohlebürsten.

Drehen Sie die Bürstenhalterkappen mit einem Schraubendreher heraus. Nehmen Sie die abgenutzten Kohlebürsten heraus, setzen Sie die neuen ein, und drehen Sie dann die Bürstenhalterkappen wieder ein.

Um die **SICHERHEIT** und **ZUVERLÄSSIGKEIT** dieses Produkts zu gewährleisten, sollten Reparaturen und andere Wartungs- oder Einstellarbeiten nur von Makita-Vertragswerkstätten oder Makita-Kundendienstzentren unter ausschließlicher Verwendung von Makita-Originalersatzteilen ausgeführt werden.

## ZUBEHÖR

### VORSICHT:

- Die folgenden Zubehörteile oder Vorrichtungen werden für den Einsatz mit der in dieser Anleitung beschriebenen Makita-Maschine empfohlen. Die Verwendung anderer Zubehörteile oder Vorrichtungen kann eine Verletzungsgefahr darstellen. Verwenden Sie Zubehörteile oder Vorrichtungen nur für ihren vorgesehenen Zweck.

Wenn Sie weitere Einzelheiten bezüglich dieser Zubehörteile benötigen, wenden Sie sich bitte an Ihre Makita-Kundendienststelle.

- Gummiteller
- Schleifscheiben
- Sicherungsmutter
- Sicherungsmutterschlüssel
- Seitengriff (Zusatzgriff)



**Nur für europäische Länder****Geräusch**

Typischer A-bewerteter Geräuschpegel ermittelt gemäß EN60745:

Schalldruckpegel ( $L_{pA}$ ): 88 dB (A)  
 Schalleistungspegel ( $L_{WA}$ ): 99 dB (A)  
 Ungewissheit (K): 3 dB (A)

**Gehörschutz tragen.**

ENG228-4

**Vibration**

Vibrationsgesamtwert (Drei-Achsen-Vektorsumme) ermittelt gemäß EN60745-2-3:

Arbeitsmodus: Schleifbetrieb  
 Vibrationsemission ( $a_{h, SG}$ ): 2,5 m/s<sup>2</sup> oder weniger  
 Ungewissheit (K): 1,5 m/s<sup>2</sup>

Wenn die Maschine für andere Anwendungen verwendet wird, können die Vibrationswerte abweichen.

ENG901-1

- Der angegebene Vibrationsemissionswert wurde im Einklang mit der Standardprüfmethode gemessen und kann für den Vergleich zwischen Maschinen herangezogen werden.
- Der angegebene Vibrationsemissionswert kann auch für eine Vorbewertung des Gefährdungsgrads verwendet werden.

**WARNUNG:**

- Die Vibrationsemission während der tatsächlichen Benutzung des Elektrowerkzeugs kann je nach der Benutzungsweise der Maschine vom angegebenen Emissionswert abweichen.
- Identifizieren Sie Sicherheitsmaßnahmen zum Schutz des Benutzers anhand einer Schätzung des Gefährdungsgrads unter den tatsächlichen Benutzungsbedingungen (unter Berücksichtigung aller Phasen des Arbeitszyklus, wie z. B. Ausschalt- und Leerlaufzeiten der Maschine zusätzlich zur Betriebszeit).

**EG-Übereinstimmungserklärung**

**Wir, die Firma Makita als verantwortlicher Hersteller, erklären, dass die folgende(n) Makita-Maschine(n):**  
 Bezeichnung der Maschine: Winkelschleifer  
 Modell-Nr./ Typ: SA7000C  
 der Serienproduktion entstammen und

**den folgenden europäischen Richtlinien entsprechen:**  
 98/37/EG bis 28. Dezember 2009 und dann 2006/42/EG ab 29. Dezember 2009

und gemäß den folgenden Standards oder standardisierter Dokumenten hergestellt werden:  
 EN60745

Die technische Dokumentation befindet sich im Bestand unserer autorisierten Vertretung in Europa, nämlich:  
 Makita International Europe Ltd.  
 Michigan Drive, Tongwell,  
 Milton Keynes, MK15 8JD, England

30. Januar 2009



Tomoyasu Kato  
 Direktor

Makita Corporation  
 3-11-8, Sumiyoshi-cho,  
 Anjo, Aichi, JAPAN

## Visione generale

1 Blocco dell'albero	6 Disco abrasivo	11 Commutatore
2 Bottone di blocco	7 Tampone di gomma	12 Punta isolante
3 Grilletto interruttore	8 Chiave controdadi	13 Spazzole a carbone
4 Ghiera di regolazione velocità	9 Apertura di ventilazione	14 Cacciavite
5 Controdado	10 Apertura di aspirazione	15 Tappo portaspazzole

### DATI TECNICI

<b>Modello</b>	<b>SA7000C</b>
Diametro disco .....	180 mm
Filettatura mandrino .....	M14
Velocità nominale (n) /	
Velocità a vuoto (n <sub>0</sub> ) .....	0 – 4.000 min <sup>-1</sup>
Lunghezza totale .....	453 mm
Peso netto .....	3,4 kg
Classe di sicurezza .....	II / I

- Per il nostro programma di ricerca e sviluppo continui, i dati tecnici sono soggetti a modifiche senza preavviso.
- I dati tecnici potrebbero differire a seconda del paese di destinazione del modello.
- Peso in base alla procedura EPTA 01/2003

### Utilizzo previsto

Questo utensile serve alla smerigliatura di grandi superfici di legno, plastica e metallo, come pure quelle verniciate.

### Alimentazione

L'utensile deve essere collegato ad una presa di corrente con la stessa tensione indicata sulla targhetta del nome, e può funzionare soltanto con la corrente alternata monofase. Esso ha un doppio isolamento in osservanza alle norme europee, per cui può essere usato con le prese di corrente sprovviste della messa a terra.

GEA010-1

### Avvertimenti generali per la sicurezza dell'utensile elettrico

**⚠ AVVERTIMENTO Leggere tutti gli avvertimenti per la sicurezza e le istruzioni.** La mancata osservanza degli avvertimenti e delle istruzioni può causare scosse elettriche, incendio e/o gravi incidenti.

**Conservare tutti gli avvertimenti e le istruzioni per riferimenti futuri.**

GEB036-2

### NORME SPECIALI PER LA SICUREZZA

**NON lasciare che la comodità o la familiarità d'utilizzo del prodotto (acquisita con l'uso ripetuto) sostituisca la stretta osservanza delle norme di sicurezza per la smerigliatrice. Se si usa questo utensile in modo insicuro o sbagliato, c'è pericolo di seri incidenti.**

**Avvertimenti comuni di sicurezza per il funzionamento della smerigliatrice:**

- Questo utensile elettrico è progettato per l'uso come smerigliatrice. Leggere tutti gli avvertimenti per la sicurezza, le istruzioni, le illustrazioni e le specifiche forniti con questo utensile elettrico.** La mancata osservanza di tutte le istruzioni seguenti potrebbe causare scosse elettriche, incendi e/o seri incidenti.

- Con questo utensile elettrico si sconsigliano le operazioni quali la macinazione, la spazzolatura metallica, la lucidatura o la troncatura.** Le operazioni per le quali questo utensile elettrico non è stato progettato possono creare pericoli e causare incidenti.
- Non si devono usare accessori che non sono stati designati e consigliati appositamente dal produttore dell'utensile.** Anche se un accessorio può essere attaccato a questo utensile elettrico, esso non garantisce il funzionamento sicuro.
- La velocità nominale dell'accessorio deve essere almeno uguale alla velocità massima indicata sull'utensile elettrico.** Gli accessori che girano a una velocità maggiore di quella nominale possono rompersi e volare via.
- Il diametro esterno e lo spessore dell'accessorio devono essere entro la taratura nominale dell'utensile elettrico.** Gli accessori con le dimensioni sbagliate non possono essere adeguatamente protetti o controllati.
- L'albero dei tamponi di rinforzo o di qualsiasi altro accessorio deve avere le dimensioni adatte al mandrino dell'utensile elettrico.** Gli accessori con fori dell'albero inadatti all'attrezzatura di montaggio dell'utensile elettrico girano sbilanciati, vibrano eccessivamente e possono causare una perdita di controllo.
- Non si deve usare un accessorio danneggiato.** Prima di ogni utilizzo, controllare se l'accessorio, come un tampone di rinforzo, presenta crepe, rotture o usura eccessiva. Se l'utensile elettrico o l'accessorio sono caduti, controllare se sono danneggiati o installare un accessorio non danneggiato. Dopo l'ispezione e l'installazione di un accessorio, posizionarsi e tenere gli astanti lontani dal piano dell'accessorio rotante e far girare l'utensile elettrico al massimo senza carico per un minuto. Gli accessori danneggiati si rompono generalmente durante questo periodo di prova.
- Indossare l'equipaggiamento personale di protezione. A seconda del lavoro, usare una visiera, occhiali di protezione o occhiali di sicurezza. Secondo il caso, mettersi la mascherina antipolvere, le protezioni per gli orecchi, i guanti e un grembiante da lavoro in grado di fermare i piccoli frammenti del pezzo.** Gli occhiali di protezione devono poter fermare i frammenti volanti prodotti dalle varie operazioni. La mascherina antipolvere o respiratore devono essere capaci di filtrare le particelle generate dal lavoro. L'esposizione prolungata al rumore di alta intensità potrebbe causare la perdita dell'udito.

9. **Tenere gli astanti a una distanza di sicurezza dall'area di lavoro. Chiunque entri nell'area di lavoro deve indossare l'equipaggiamento personale di protezione.** I frammenti del pezzo o di un accessorio che si rompe potrebbero volare via causando incidenti fuori dall'area immediata del lavoro.
  10. **Tenere l'utensile elettrico soltanto per le superfici di presa isolate quando si esegue una operazione in cui l'accessorio di taglio potrebbe fare contatto con fili elettrici nascosti o con il cavo di alimentazione dell'utensile.** Il contatto dell'accessorio di taglio con un filo elettrico "sotto tensione" potrebbe mettere "sotto tensione" le parti metalliche esposte dell'utensile elettrico dando una scossa all'operatore.
  11. **Posizionare il cavo di alimentazione dell'utensile discosto dall'accessorio che gira.** Se si perde il controllo dell'utensile, il cavo potrebbe essere tagliato o rimanere impigliato, e la mano o il braccio potrebbero essere attirati nell'accessorio che gira.
  12. **Non si deve mai posare l'utensile elettrico finché l'accessorio non si è fermato completamente.** L'accessorio che gira potrebbe fare presa sulla superficie causando la perdita di controllo dell'utensile elettrico.
  13. **Non si deve far funzionare l'utensile elettrico mentre lo si trasporta sul proprio fianco.** Il contatto accidentale con l'accessorio che gira potrebbe fare presa sul vestito spingendo l'accessorio nel corpo.
  14. **Pulire regolarmente le aperture di ventilazione dell'utensile elettrico.** La ventola del motore attira la polvere all'interno dell'alloggiamento, e l'accumulo eccessivo della polvere di metallo potrebbe causare pericoli elettrici.
  15. **Non si deve far funzionare l'utensile elettrico vicino a materiali infiammabili, perché le scintille potrebbero incendiarli.**
  16. **Non si devono usare accessori che richiedono refrigeranti liquidi.** L'impiego di acqua o di altri refrigeranti liquidi potrebbe causare elettrocuzione o scosse elettriche.
  17. **Contraccolpi e relativi avvertimenti**  
 Il contraccollo è una reazione improvvisa a un tampone di rinforzo rotante o qualsiasi altro accessorio ostacolato. L'ostacolo potrebbe causare l'arresto rapido dell'accessorio rotante, che a sua volta causa la forzatura incontrollata dell'utensile elettrico nella direzione opposta di rotazione dell'accessorio sul punto di inceppamento. Il contraccollo è il risultato dell'uso sbagliato dell'utensile elettrico e/o delle procedure o condizioni sbagliate di funzionamento, e può essere evitato prendendo le precauzioni appropriate come indicato di seguito.
    - a) **Tenere saldamente l'utensile elettrico e posizionare il corpo e le braccia in modo da poter resistere alla forza del contraccollo.** Per il massimo controllo del contraccollo o della reazione alla coppia di avviamento, usare sempre il manico ausiliario, se fornito. Prendendo le precauzioni appropriate, l'operatore può controllare la reazione alla coppia di avviamento e la forza del contraccollo.
    - b) **Non si devono mai mettere le mani vicino all'accessorio rotante.** Si potrebbe verificare un contraccollo dell'accessorio sulle mani.
    - c) **Non si deve posizionare il corpo nell'area di spostamento dell'utensile elettrico se si verifica un contraccollo.** Il contraccollo spinge l'utensile nella direzione opposta al movimento del disco sul punto dell'inceppamento.
    - d) **Fare particolarmente attenzione lavorando gli angoli, i bordi affilati, ecc.** Evitare di far rimbalzare o di ostacolare l'accessorio. Gli angoli, i bordi affilati o i rimbalzi tendono a inceppare l'accessorio rotante causando una perdita di controllo o un contraccollo.
    - e) **Non si devono attaccare una lama di intaglio del legno per sega a catena o una lama dentata.** Tali lame causano frequenti contraccolpi e perdite di controllo.
- Avvertimenti speciali di sicurezza per le operazioni di smerigliatura:**
18. **Non si deve usare carta dei dischi per smerigliatura di dimensioni eccessivamente grandi.** Seguire le raccomandazioni del produttore per la selezione della carta vetrata. La carta vetrata grande che si estende oltre il tampone di smerigliatura presenta pericoli di lacerazioni e potrebbe causare inceppamenti, strappi del disco o contraccolpi.
  19. **Prima dell'utilizzo, controllare attentamente che il tampone di rinforzo non presenti crepe, danni o deformità. Sostituire immediatamente il tampone se presenta crepe, danni o deformità.**
  20. **Con questo utensile non si devono MAI usare lame per il taglio del legno o altre lame per seghe.** Se vengono usate con la smerigliatrice, tali lame causano frequenti contraccolpi e perdite di controllo, con pericolo di incidenti.
  21. **Tenere saldamente l'utensile.**
  22. **Tenere le mani lontane dalle parti rotanti.**
  23. **Accertarsi che il disco abrasivo non faccia contatto con il pezzo prima di attivare l'interruttore.**
  24. **Fare attenzione alle scintille sprigionate durante la smerigliatura delle superfici di metallo.** L'utensile deve essere tenuto in modo che le scintille non colpiscano l'operatore e gli astanti o materiali infiammabili.
  25. **Non lasciare solo l'utensile mentre funziona.** Farlo funzionare soltanto tenendolo in mano.
  26. **Il pezzo non va toccato immediatamente dopo una operazione.** Esso potrebbe essere estremamente caldo e causare bruciature.
  27. **Accertarsi che il pezzo sia supportato in modo appropriato.**
  28. **Tenere presente che il disco continua a girare dopo che si è spento l'utensile.**
  29. **Questo utensile non è a prova d'acqua, per cui non si deve usare acqua sulla superficie del pezzo.**
  30. **Ventilare adeguatamente l'area di lavoro quando si esegue una operazione di smerigliatura.**
  31. **L'utilizzo di questo utensile per la smerigliatura di alcuni prodotti, vernici e legno potrebbe esporre l'operatore a polvere contenente sostanze nocive.** Usare la protezione appropriata per la respirazione.
  32. **Accertarsi sempre che l'utensile sia spento e staccato dalla presa di corrente prima di qualsiasi intervento su di esso.**

33. Se il posto di lavoro è estremamente caldo e umido, oppure molto contaminato da polveri conduttive, usare un interruttore di corto circuito (30 mA) per garantire la sicurezza dell'operatore.
34. L'utensile non deve essere usato su materiali contenenti amianto.
35. Alcuni materiali contengono sostanze chimiche che potrebbero essere tossiche. Fare attenzione a non inalare la polvere e a evitare il contatto con la pelle. Seguire i dati per la sicurezza del fornitore del materiale.
36. Usare sempre la mascherina antipolvere/respiratore corretto secondo il materiale e l'applicazione con cui si lavora.
37. Lavorando dove c'è polvere, accertarsi che le aperture di ventilazione non siano ostruite. Se è necessario togliere la polvere, staccare prima l'utensile dalla presa di corrente (usare oggetti che non siano di metallo) ed evitare di danneggiare le parti interne.

**CONSERVATE QUESTE ISTRUZIONI.**

## DESCRIZIONE FUNZIONALE

### ATTENZIONE:

- Accertarsi sempre che l'utensile sia spento e staccato dalla presa di corrente prima di regolarlo o di controllare il suo funzionamento.

### Blocco dell'albero (Fig. 1)

#### ATTENZIONE:

- Non si deve mai usare il blocco dell'albero mentre il mandrino è in movimento, perché si potrebbe danneggiare l'utensile.

Premere il blocco dell'albero per evitare la rotazione del mandrino durante l'installazione o la rimozione degli accessori.

### Operazione dell'interruttore (Fig. 2)

#### ATTENZIONE:

- Prima di inserire l'utensile in una presa di corrente, controllare che il grilletto dell'interruttore funzioni bene e ritorni sulla posizione di "OFF" (spento) quando viene rilasciato.

Per avviare l'utensile, schiacciate semplicemente il grilletto. La velocità dell'utensile aumenta con l'aumento della pressione del dito sull'interruttore. Rilasciate il grilletto per arrestarlo.

Per il funzionamento continuo, schiacciare l'interruttore e spingere dentro il bottone di blocco.

Per arrestare l'utensile dalla condizione di bloccaggio, schiacciate completamente il grilletto e rilasciatelo.

### Ghiera di regolazione velocità (Fig. 3)

La velocità di rotazione può essere cambiata girando la ghiera di regolazione della velocità su un dato numero di regolazione da 1 a 6 (6 al momento in cui l'interruttore viene completamente schiacciato).

Le velocità più alte si ottengono girando la leva nella direzione del numero 6. Le velocità più basse si ottengono girando la leva nella direzione del numero 1.

Per il rapporto tra i numeri delle regolazioni della ghiera e la velocità approssimativa di rotazione, riferirsi alla tabella sotto.

Numero	min <sup>-1</sup> (GIRI)
1	1.500
2	1.700
3	2.000
4	2.500
5	3.300
6	4.000

### ATTENZIONE:

- La ghiera di regolazione della velocità può essere girata soltanto fino a 6 e indietro fino a 1. Non forzarla oltre il 6 o l'1, perché altrimenti la regolazione della velocità potrebbe diventare impossibile.
- Se si fa funzionare continuamente l'utensile alle basse velocità, si potrebbe verificare il sovraccarico e il surriscaldamento del motore.

### Funzione elettronica

Gli utensili dotati della funzione elettronica sono facili da usare per le caratteristiche seguenti.

#### Controllo di velocità costante

Si possono ottenere rifiniture fini perché la velocità di rotazione viene mantenuta costante anche in condizioni di carico.

Inoltre, se il carico dell'utensile supera i livelli permessibili, l'alimentazione di corrente al motore si riduce per proteggere il motore dal surriscaldamento. Quando il carico torna ai livelli permessibili, l'utensile funziona normalmente.

#### Funzione di avvio morbido

Avvio morbido per la soppressione delle scosse di avviamento.

## MONTAGGIO

### ATTENZIONE:

- Accertarsi sempre che l'utensile sia spento e staccato dalla presa di corrente prima di qualsiasi intervento su di esso.

### Installazione dell'impugnatura laterale (manico) (Fig. 4 e 5)

#### ATTENZIONE:

- Accertarsi sempre che l'impugnatura laterale sia installata saldamente prima di far funzionare l'utensile.

Togliere una delle viti che fissano la cassa ingranaggio e coperchio testa, e avvitare l'impugnatura laterale nell'utensile.

## Installazione o rimozione disco abrasivo (Fig. 6 e 7)

### NOTA:

- Usare gli accessori della smerigliatrice specificati in questo manuale. Essi devono essere acquistati separatamente.

Montare il tampone di gomma sul mandrino. Montare il disco sul tampone di gomma e avvitare il controdatto sul mandrino. Per stringere il controdatto, premere saldamente il blocco dell'albero in modo che il mandrino non possa girare, e usare poi la chiave controdatto stringendo saldamente in senso orario.

Per rimuovere il disco, seguire il procedimento opposto di installazione.

## UTILIZZO

### AVVERTIMENTO:

- Non dovrebbe mai essere necessario forzare l'utensile. Il peso dell'utensile stesso esercita una pressione adeguata. Forzandolo, o le pressioni eccessive, possono causare una pericolosa rottura del disco.

### ATTENZIONE:

- L'utensile non deve mai essere acceso quando fa contatto con il pezzo, perché potrebbe causare lesioni all'operatore.
- Non si deve mai far girare l'utensile senza il disco abrasivo. Si potrebbe danneggiare seriamente il tampone.
- Indossare sempre gli occhiali di protezione o una visiera durante il lavoro.
- Dopo il lavoro, spegnere sempre l'utensile ed aspettare che il disco si sia fermato completamente prima di posare l'utensile.

Tenere SEMPRE saldamente l'utensile con una mano sul manico posteriore e l'altra sul manico laterale. Avviare l'utensile e applicare il disco abrasivo al pezzo.

In generale, mantenere il disco abrasivo a un angolo di circa 15 gradi rispetto alla superficie del pezzo. (Fig. 8) Applicare soltanto una leggera pressione. Una pressione eccessiva causa il deterioramento delle prestazioni e l'usura prematura del disco abrasivo.

## MANUTENZIONE

### ATTENZIONE:

- Prima di eseguire un qualsiasi intervento di ispezione o manutenzione, accertarsi che l'utensile sia spento e staccato dalla presa di corrente.

L'utensile e le sue aperture di ventilazione devono essere mantenuti puliti. Pulire regolarmente le aperture di ventilazione dell'utensile, o quando cominciano ad essere ostruite. (Fig. 9)

## Sostituzione delle spazzole di carbone (Fig. 10 e 11)

Quando la resina che isola lo scalpello delle spazzole di carbone è esposta al contatto del commutatore, il motore dell'utensile si spegne automaticamente. In tal caso, bisogna sostituire entrambe le spazzole. Mantenere le spazzole di carbone pulite e libere di scorrere nei portaspazzole. Le spazzole devono essere sostituite entrambe allo stesso tempo. Usare soltanto spazzole di carbone identiche.

Usare un cacciavite per rimuovere i tappi dei portaspazzole. Estrarre le spazzole di carbone usurate, inserire le nuove spazzole e fissare i tappi dei portaspazzole.

Per mantenere la SICUREZZA e l'AFFIDABILITÀ dell'utensile, le riparazioni e qualsiasi altra manutenzione o regolazione devono essere eseguite da un centro di assistenza Makita autorizzato usando sempre ricambi Makita.

## ACCESSORI

### ATTENZIONE:

- In questo manuale si consiglia di usare questi accessori o ricambi Makita. L'impiego di altri accessori o ricambi potrebbe costituire un pericolo di lesioni. Usare esclusivamente gli accessori o ricambi per il loro scopo specificato.

Per maggiori dettagli riguardo a questi accessori, rivolgersi a un centro di assistenza Makita

- Gommino
- Dischi abrasivi
- Controdatto
- Chiave controdatto
- Impugnatura laterale (manico)

ENG102-2

## Modello per l'Europa soltanto

### Rumore

Il tipico livello di rumore pesato A determinato secondo EN60745:

Livello pressione sonora ( $L_{pA}$ ): 88 dB (A)

Livello potenza sonora ( $L_{WA}$ ): 99 dB (A)

Incertezza (K): 3 dB (A)

### Indossare i paraorecchi.

ENG228-4

### Vibrazione

Il valore totale di vibrazione (somma vettore triassiale) determinato secondo EN60745-2-3:

Modalità operativa: Smerigliatura con disco

Emissione di vibrazione ( $a_{h, SG}$ ): 2,5 m/s<sup>2</sup> o meno

Incertezza (K): 1,5 m/s<sup>2</sup>

Se l'utensile viene usato per altre applicazioni, i valori di vibrazione potrebbero essere diversi.

- Il valore di emissione delle vibrazioni dichiarato è stato misurato conformemente al metodo di test standard, e può essere usato per paragonare un utensile con un altro.
- Il valore di emissione delle vibrazioni dichiarato può anche essere usato per una valutazione preliminare dell'esposizione.

**AVVERTIMENTO:**

- L'emissione delle vibrazioni durante l'uso reale dell'utensile elettrico può differire dal valore di emissione dichiarato a seconda dei modi in cui viene usato l'utensile.
- Identificare le misure di sicurezza per la protezione dell'operatore basate sulla stima dell'esposizione nelle condizioni reali d'utilizzo (tenendo presente tutte le parti del ciclo operativo, come le volte in cui l'utensile viene spento e quando gira a vuoto, oltre al tempo di funzionamento).

**Dichiarazione CE di conformità**

**Noi della Makita Corporation, come produttori responsabili, dichiariamo che le macchine Makita seguenti:**

Designazione della macchina: Smerigliatrice angolare  
Modello No./Tipo: SA7000C

sono una produzione di serie e

**conformi alle direttive europee seguenti:**

98/37/CE fino al 28 dicembre 2009 e poi 2006/42/CE dal 29 dicembre 2009

E sono fabbricate conformemente ai seguenti standard o documenti standardizzati:

EN60745

La documentazione tecnica è tenuta dal nostro rappresentante autorizzato in Europa, che è:

Makita International Europe Ltd.

Michigan Drive, Tongwell,

Milton Keynes, MK15 8JD, England

30 gennaio 2009




Tomoyasu Kato  
Amministratore

Makita Corporation  
3-11-8, Sumiyoshi-cho,  
Anjo, Aichi, JAPAN

**Verklaring van algemene gegevens**

1 Asvergrendeling	6 Schuurschijf	11 Collector
2 Vergrendelknop	7 Rubbersteunkussen	12 Isolierend uiteinde
3 Trekschakelaar	8 Borgmoersleutel	13 Koolborstel
4 Toerentalregelknop	9 Luchtuitlaatopening	14 Schroevendraaier
5 Borgmoer	10 Luchtinlaatopening	15 Koolborsteldop

**TECHNISCHE GEGEVENS**

<b>Model</b>	<b>SA7000C</b>
Diameter schijf.....	180 mm
Asschroefdraad .....	M14
Nominaal toerental (n) /	
Toerental onbelast (n <sub>0</sub> ) .....	0 – 4 000 min <sup>-1</sup>
Totale lengte .....	453 mm
Netto gewicht .....	3,4 kg
Veiligheidsklasse .....	 /II

- In verband met ononderbroken research en ontwikkeling behouden wij ons het recht voor bovenstaande technische gegevens te wijzigen zonder voorafgaande kennisgeving.
- De technische gegevens kunnen van land tot land verschillen.
- Gewicht volgens de EPTA-procedure 01/2003

**Doeleinden van gebruik**

Dit gereedschap is bedoeld voor het schuren van grote oppervlakken van hout-, kunststof- en metaalmaterialen, en ook geschilderde oppervlakken.

**Stroomvoorziening**

Dit gereedschap mag alleen worden aangesloten op een stroombron van hetzelfde voltage als aangegeven op de naamplaat, en kan alleen op enkel-fase wisselstroom worden gebruikt. Dit gereedschap is dubbel-geïsoleerd volgens de Europese standaard en kan derhalve ook op een niet-geaard stopcontact worden aangesloten.

GEA010-1

**Algemene veiligheidswaarschuwingen voor elektrisch gereedschap**

**⚠ WAARSCHUWING!** Lees alle veiligheidswaarschuwingen en alle instructies. Het niet volgen van de waarschuwingen en instructies kan leiden tot elektrische schokken, brand en/of ernstig letsel.

**Bewaar alle waarschuwingen en instructies om in de toekomst te kunnen raadplegen.**

GEB036-2

**AANVULLENDE VEILIGHEIDSVORSCHRIFTEN**

Laat u NIET misleiden door een vals gevoel van comfort en bekendheid met het gereedschap (na veelvuldig gebruik) en neem alle veiligheidsvoorschriften van de schuurmachine altijd strikt in acht. Bij onveilig of verkeerd gebruik van het gereedschap, bestaat de kans op ernstig persoonlijk letsel.

Gemeenschappelijke veiligheidswaarschuwingen voor schuurwerkzaamheden:

1. Dit elektrisch gereedschap is bedoeld voor gebruik als schuurgereedschap. Lees alle veiligheidswaarschuwingen, instructies, afbeeldingen en technische gegevens die bij dit elektrisch gereedschap worden geleverd. Als u nalaat alle onderstaande instructies te volgen, kan dit leiden tot een elektrische schok, brand en/of ernstig letsel.

2. **Wij adviseren u werkzaamheden zoals slijpen, draadborstelen, polijsten of doorslijpen niet uit te voeren met dit elektrisch gereedschap.** Werkzaamheden waarvoor dit elektrisch gereedschap niet is bedoeld kunnen gevaarlijke situaties opleveren en tot persoonlijk letsel leiden.
3. **Gebruik geen accessoires die niet specifiek zijn ontworpen en aanbevolen door de fabrikant van het gereedschap.** Ook wanneer het accessoire kan worden bevestigd op uw elektrisch gereedschap, is een veilige werking niet gegarandeerd.
4. **Het nominaal toerental van het accessoire moet minstens gelijk zijn aan het maximumtoerental vermeld op het elektrisch gereedschap.** Accessoires die met een hoger toerental draaien dan hun nominaal toerental kunnen stuk breken en in het rond vliegen.
5. **De buitendiameter en de dikte van het accessoire moet binnen het capaciteitsbereik van het elektrisch gereedschap vallen.** Accessoires met verkeerde afmetingen kunnen niet afdoende worden afgeschermd of beheerst.
6. **De asdiometer van rugschijven en andere accessoires moeten goed passen rond de as van het elektrisch gereedschap.** Accessoires met een asdiometer die niet overeenkomt met de standaardhardware voor het elektrisch gereedschap zullen niet in balans draaien, buitensporig trillen en kunnen tot verlies van controle over het gereedschap leiden.
7. **Gebruik nooit een beschadigd accessoire. Vóór ieder gebruik moeten accessoires, zoals rugschijven, worden geïnspecteerd op barsten, scheuren of buitensporige slijtage.** Nadat het elektrisch gereedschap of accessoire is gevallen, inspecteert u het op schade of monteert u een onbeschadigd accessoire. Na inspectie en montage van een accessoire, zorgt u ervoor dat u en omstanders niet in het rotatie vlak van het accessoire staan, en laat u het elektrisch gereedschap draaien op het maximaal, onbelast toerental gedurende één minuut. Beschadigde accessoire breken normaal gesproken in stukken gedurende deze testduur.
8. **Gebruik persoonlijke-veiligheidsmiddelen.** Afhankelijk van de toepassing gebruikt u een gezichtsscherm, een beschermende bril of een veiligheidsbril. Al naar gelang van toepassing draagt u een stofmasker, gehoorschermers, handschoenen en een werkschort die in staat zijn kleine stukjes werkstukfragmenten te weerstaan. De oogbescherming moet in staat zijn rondvliegend afval te stoppen dat ontstaat bij de diverse werkzaamheden. Het stofmasker of ademhalingsapparaat moet in stat zijn deeltjes te filteren die ontstaat bij de werkzaamheden. Langdurige blootstelling aan zeer intens geluid kan leiden tot gehoorschadiging.

9. **Houd omstanders op veilige afstand van het werkgebied. Iedereen die zich binnen het werkgebied begeeft, moet persoonlijke-veiligheidsmiddelen gebruiken.** Fragmenten van het werkstuk of van een uiteengevallen accessoire kunnen rondvliegen en letsel veroorzaken buiten de onmiddellijke werkomgeving.
10. **Houd elektrisch gereedschap uitsluitend vast aan het geïsoleerde oppervlak van de handgrepen wanneer u werkt op plaatsen waar het slijpaccessoire met verborgen bedrading of zijn eigen snoer in aanraking kan komen.** Wanneer het slijpaccessoire in aanraking komt met onder spanning staande draden, zullen ook de niet-geïsoleerde metalen delen van het elektrisch gereedschap onder spanning komen te staan zodat de gebruiker een elektrische schok kan krijgen.
11. **Houd het snoer goed uit de buurt van het ronddraaiende accessoire.** Als u de controle verliest over het gereedschap, kan het snoer worden doorgesneden of bekneld raken, en kan uw hand of arm tegen het ronddraaiende accessoire worden aangehouden.
12. **Leg het elektrisch gereedschap nooit neer voordat het accessoire volledig tot stilstand is gekomen.** Het ronddraaiende accessoire kan de ondergrond pakken zodat u de controle over het elektrisch gereedschap verliest.
13. **Laat het elektrisch gereedschap niet draaien terwijl u het naast u draagt.** Als het ronddraaiende accessoire u per ongeluk raakt, kan het verstrikt raken in uw kleding waardoor het accessoire in uw lichaam wordt getrokken.
14. **Maak de ventilatieopeningen van het gereedschap regelmatig schoon.** De ventilator van de motor zal het stof de behuizing in trekken, wat kan leiden tot elektrisch gevaarlijke situaties.
15. **Gebruik het elektrisch gereedschap niet in de buurt van brandbare materialen.** Vonken kunnen deze materialen doen ontvlammen.
16. **Gebruik geen accessoires die met vloeistof moeten worden gekoeld.** Het gebruik van water of andere vloeibare koelmiddelen kan leiden tot elektrocutie of elektrische schokken.
17. **Terugslag en aanverwante waarschuwingen**  
Terugslag is een plotselinge reactie op een vastgelopen draaiende rugschijf of enig ander accessoire. Vastlopen veroorzaakt een snelle stilstand van het draaiende accessoire dat op zijn beurt ertoe leidt dat het elektrisch gereedschap zich ongecontroleerd beweegt in de tegenovergestelde richting van de draairichting van het accessoire op het moment van vastlopen. Terugslag is het gevolg van misgebruik van het elektrisch gereedschap en/of onjuiste gebruikprocedures of -omstandigheden, en kan worden voorkomen door goede voorzorgsmaatregelen te treffen, zoals hieronder vermeld:
  - a) **Houd het gereedschap stevig vast en houd uw armen en lichaam zodanig dat u in staat bent een terugslag op te vangen.** Gebruik altijd de extra handgreep (indien aanwezig) voor een maximale controle over het gereedschap in geval van terugslag en de koppelreactiekrachten bij het starten. De gebruiker kan een terugslag of de koppelreactiekrachten opvangen indien de juiste voorzorgsmaatregelen worden getroffen.

- b) **Plaats uw hand nooit in de buurt van het draaiende accessoire.** Het accessoire kan terugslaan over uw hand.
- c) **Plaats uw lichaam niet in het gebied waar het elektrisch gereedschap naar toe gaat wanneer een terugslag optreedt.** Een terugslag zal het gereedschap bewegen in de tegenovergestelde richting van de draairichting van de schijf op het moment van beknellen.
- d) **Wees bijzonder voorzichtig bij het werken met hoeken, scherpe randen, enz. Voorkom dat het accessoire springt of bekneld raakt.** Hoeken, scherpe randen of springen veroorzaken vaak beknellen van het draaiende accessoire wat leidt tot terugslag of verlies van controle over het gereedschap.
- e) **Bevestig geen houtbewerkingsblad en een zaagketting of getand zaagblad.** Dergelijke bladen leiden vaak tot terugslag of verlies van controle over het gereedschap.

#### **Veiligheidswaarschuwingen specifiek voor schuurwerkzaamheden:**

18. **Gebruik geen veel te grote schuurpapierschijven. Volg de aanwijzingen van de fabrikant bij uw keuze van het schuurpapier.** Te groot schuurpapier dat uitsteekt tot voorbij de rand van het schuurkussen levert snijgevaar op en kan beknellen of scheuren van de schuurpapierschijf of terugslag veroorzaken.
19. **Controleer de rugschijf voorzichtig op barsten, beschadigingen of vervormingen voordat u deze gebruikt. Vervang gebarsten, beschadigde of vervormde schijven onmiddellijk.**
20. **Gebruik het gereedschap NOOIT met zaagbladen en dergelijke. Als dergelijke zaagbladen op een schuurmachine worden gebruikt, springen ze veelal waardoor u de controle over het gereedschap verliest en persoonlijk letsel kan ontstaan.**
21. **Houd het gereedschap stevig vast.**
22. **Houd uw handen uit de buurt van draaiende delen.**
23. **Zorg ervoor dat de schuurplaat niet in aanraking is met het werkstuk voordat u het gereedschap hebt ingeschakeld.**
24. **Bij het schuren van metalen oppervlakken, kijkt u uit voor rondvliegende vonken. Houd het gereedschap zodanig vast dat de vonken wegvliegen van u en andere personen of brandbare materialen.**
25. **Laat het gereedschap niet ingeschakeld liggen. Bedien het gereedschap alleen wanneer u het vasthoudt.**
26. **Raak het werkstuk niet onmiddellijk na gebruik aan. Deze kan bijzonder heet zijn en brandwonden op uw huid veroorzaken.**
27. **Controleer dat het werkstuk goed wordt ondersteund.**
28. **Wees erop bedacht dat de schijf blijft draaien nadat het gereedschap is uitgeschakeld.**
29. **Dit gereedschap is niet waterdicht. Gebruik dus geen water op het oppervlak van het werkstuk.**
30. **Zorg voor afdoende ventilatie van uw werkplek wanneer u schuurwerkzaamheden uitvoert.**



31. Als dit gereedschap wordt gebruikt voor het schuren van bepaalde producten, verflagen en hout, kan de gebruiker worden blootgesteld aan stof waarin gevaarlijke bestanddelen zitten. Gebruik geschikte ademhalingsbeschermingsapparatuur.
32. Controleer altijd of het gereedschap is uitgeschakeld en de stekker uit het stopcontact is getrokken alvorens enige werk aan het gereedschap uit te voeren.
33. Als de werkruimte bijzonder heet en vochtig is, of sterk vervuild is met geleidend stof, gebruik dan een kortsluitonderbreker (30 mA) om de veiligheid van de gebruiker te garanderen.
34. Gebruik het gereedschap niet op materiaal dat asbest bevat.
35. Sommige materialen bevatten chemische stoffen die giftig kunnen zijn. Neem voorzorgsmaatregelen tegen het inademen van stof en contact met de huid. Volg de veiligheidsinstructies van de leverancier van het materiaal op.
36. Gebruik altijd het juiste stofmasker/ademhalingsapparaat voor het materiaal en de toepassing waarmee u werkt.
37. Zorg ervoor dat de ventilatie-openingen niet verstopt raken bij gebruik in een stoffige omgeving. Als het noodzakelijk is het stof te verwijderen, moet u het gereedschap eerst loskoppelen van de netvoeding (gebruik hiervoor niet-metalen voorwerpen) en wees voorzichtig geen inwendige onderdelen te beschadigen.

## BEWAAR DEZE VOORSCHRIFTEN.

### BESCHRIJVING VAN DE FUNCTIES

#### LET OP:

- Zorg altijd dat het gereedschap is uitgeschakeld en de stekker uit het stopcontact is verwijderd alvorens functies op het gereedschap af te stellen of te controleren.

#### Asvergrendeling (Fig. 1)

##### LET OP:

- Druk de asvergrendeling nooit in terwijl de as nog draait. Hierdoor kan het gereedschap beschadigd raken.

Wanneer u accessoires installeert of verwijdert, moet u de asvergrendeling indrukken om te voorkomen dat de as kan draaien.

#### Trekschakelaar (Fig. 2)

##### LET OP:

- Alvorens het gereedschap op het stopcontact aan te sluiten, dient u altijd te controleren of de trekschakelaar behoorlijk werkt en bij loslaten onmiddellijk naar de "OFF" positie terugkeert.

Om het gereedschap te starten, gewoon de trekschakelaar indrukken. Hoe dieper de trekschakelaar wordt ingedrukt, hoe sneller het gereedschap draait.

Om het gereedschap te stoppen, de trekschakelaar loslaten. Voor doorlopend gebruik, druk de trekschakelaar in en druk vervolgens de vergrendelknop in.

Om het gereedschap vanuit deze vergrendelde stand te stoppen, de trekschakelaar volledig indrukken en deze dan loslaten.

#### Toerentalregelknop (Fig. 3)

U kunt de draaisnelheid veranderen door de toerentalregelknop te draaien en in te stellen op een cijfer van 1 tot 6 (6 wanneer de trekschakelaar volledig wordt ingedrukt.)

De snelheid verhoogt wanneer u de draaiknop in de richting van het cijfer 6 draait. De snelheid verlaagt wanneer u deze in de richting van het cijfer 1 draait.

Zie de onderstaande tabel voor de verhouding tussen de cijfers op de draaiknop en de approximatieve draaisnelheid.

Cijfer	min <sup>-1</sup> (RPM)
1	1 500
2	1 700
3	2 000
4	2 500
5	3 300
6	4 000

#### LET OP:

- De toerentalregelknop kan niet verder dan 6 en niet verder terug dan 1 worden gedraaid. Forceer de draaiknop niet voorbij 6 of 1, aangezien de toerentalregeling dan niet meer juist zal werken.
- Indien het gereedschap doorlopend bij lage snelheid wordt gebruikt, zal de motor overbelast en oververhit worden.

#### Elektronische functie

Gereedschappen die voorzien zijn van de elektronische functie, zijn gemakkelijk te bedienen omwille van de volgende kenmerken.

#### Constante snelheidsregeling

Aangezien de draaisnelheid ook bij belaste werking constant wordt gehouden, kunt u een nauwkeurige afwerking krijgen.

Wanneer de toelaatbare belasting van het gereedschap wordt overschreden, wordt de stroomtoevoer naar de motor verminderd om oververhitting van de motor te voorkomen. Het gereedschap zal weer werken zoals normaal wanneer de belasting tot het toelaatbare niveau is gedaald.

#### Functie voor zacht starten

De schok bij het starten wordt onderdrukt zodat het gereedschap zacht start.

### INEENZETTEN

#### LET OP:

- Zorg altijd dat het gereedschap is uitgeschakeld en de aansluiting op het stopcontact is verbroken alvorens enig werk aan het gereedschap uit te voeren.

#### Installeren van de zijhandgreep (handvat) (Fig. 4 en 5)

##### LET OP:

- Zorg altijd dat de zijhandgreep stevig gemonteerd is alvorens het gereedschap te gebruiken.

Verwijder een van de schroeven waarmee de tandwielkast en de bovenkap zijn bevestigd, en schroef vervolgens de zijhandgreep op het gereedschap.

## Installeren of verwijderen van de schuurschijf (Fig. 6 en 7)

### OPMERKING:

- Gebruik de schuurmachine-accessoires die in deze gebruiksaanwijzing zijn beschreven. Deze accessoires zijn afzonderlijk te koop.

Monteer het rubbersteunkussen op de as. Monteer de schijf op het rubbersteunkussen en schroef de borgmoer vast op de as. Bij het aandraaien van de borgmoer dient u de asvergrendeling stevig in te drukken zodat de as niet kan draaien. Draai de borgmoer stevig naar rechts vast met de borgmoersleutel.

Om de schijf te verwijderen, voert u de installatieprocedure in omgekeerde volgorde uit.

## BEDIENING

### WAARSCHUWING:

- Forceer het gereedschap nooit. Het eigen gewicht van het gereedschap levert voldoende druk op. Forceren of overmatige druk kan gevaarlijke schijfbreuk tot gevolg hebben.

### LET OP:

- Zet het gereedschap nooit aan terwijl de schijf het werkstuk raakt. Dit kan namelijk verwonding van de gebruiker tot gevolg hebben.
- Gebruik het gereedschap nooit zonder de schuurschijf. Dit kan namelijk ernstige beschadiging van het rubbersteunkussen veroorzaken.
- Draag tijdens het gebruik altijd een veiligheidsbril of gezichtsbescherming.
- Schakel het gereedschap na het gebruik uit en wacht totdat de schijf volledig tot stilstand is gekomen alvorens het gereedschap neer te leggen.

Houd het gereedschap ALTIJD stevig vast met de ene hand op de achterhandgreep en de andere hand op de zijhandgreep. Schakel het gereedschap in en zet dan de schuurschijf op het werkstuk.

Doorgaans dient u de schijf bij een hoek van ongeveer 15 graden ten opzichte van het werkstukoppervlak te houden. (Fig. 8)

Oefen alleen lichte druk uit op het gereedschap. Overmatige druk leidt tot slechte prestaties en vroegtijdige slijtage van de schuurschijf.

## ONDERHOUD

### LET OP:

- Zorg altijd dat het gereedschap is uitgeschakeld en de stekker uit het stopcontact is verwijderd alvorens te beginnen met inspectie of onderhoud.

Houd het gereedschap en zijn luchtopeningen altijd schoon. Reinig de luchtopeningen regelmatig of telkens wanneer ze verstopt raken. (Fig. 9)

## Vervangen van de koolborstels (Fig. 10 en 11)

Wanneer een koolborstel zo ver is afgesleten dat zijn isolerend harspunt in contact komt met de collector, zal het gereedschap automatisch worden uitgeschakeld. Als dit gebeurt, moet u beide koolborstels vervangen. Houd de koolborstels schoon en zorg dat ze soepel in de houders glijden. Beide koolborstels dienen tegelijkertijd te worden vervangen. Gebruik enkel identieke koolborstels.

Gebruik een schroevendraaier om de doppen van de koolborstelhouders te verwijderen. Haal de versleten borstels eruit, steek de nieuwe erin, en zet de doppen weer goed vast.

Om de VEILIGHEID en BETROUWBAARHEID van het gereedschap te handhaven, dienen alle reparaties, onderhoud of afstellingen te worden uitgevoerd door een erkend Makita servicecentrum, en dit uitsluitend met gebruikmaking van originele Makita vervangingsonderdelen.

## ACCESSOIRES

### LET OP:

- Deze accessoires of hulpstukken worden aanbevolen voor gebruik met het Makita gereedschap dat in deze gebruiksaanwijzing is beschreven. Bij gebruik van andere accessoires of hulpstukken bestaat er gevaar voor persoonlijke verwonding. Gebruik de accessoires of hulpstukken uitsluitend voor hun bestemd doel.

Wenst u meer bijzonderheden over deze accessoires, neem dan contact op met het plaatselijke Makita servicecentrum.

- Rubberkussen
- Schuurschijven
- Borgmoer
- Borgmoersleutel
- Zijhandgreep (handvat)

ENG102-2

## Alleen voor Europese landen

### Geluidsniveau

De typisch, A-gewogen geluidsniveaus vastgesteld volgens EN60745:

Geluidsdrukniveau ( $L_{pA}$ ): 88 dB (A)

Geluidsenergie-niveau ( $L_{WA}$ ): 99 dB (A)

Onnauwkeurigheid (K): 3 dB (A)

**Draag oorbeschermers.**

ENG228-4

### Trilling

De totaalwaarde van de trillingen (triaxiale vector) vastgesteld volgens EN60745-2-3:

Toepassing: schuren met schijf

Trillingsemisatie ( $a_{h,SG}$ ): 2,5 m/s<sup>2</sup> of lager

Onnauwkeurigheid (K): 1,5 m/s<sup>2</sup>

Als het gereedschap voor andere toepassingen wordt gebruikt, kunnen de trillingswaarden anders zijn.

- De opgegeven trillingsemissiewaarde is gemeten volgens de standaardtestmethode en kan worden gebruikt om dit gereedschap te vergelijken met andere gereedschappen.
- De opgegeven trillingsemissiewaarde kan ook worden gebruikt voor een beoordeling vooraf van de blootstelling.

**WAARSCHUWING:**

- De trillingsemissie tijdens het gebruik van het elektrisch gereedschap in de praktijk kan verschillen van de opgegeven trillingsemissiewaarde afhankelijk van de manier waarop het gereedschap wordt gebruikt.
- Zorg ervoor dat veiligheidsmaatregelen worden getroffen ter bescherming van de operator die zijn gebaseerd op een schatting van de blootstelling onder praktijkomstandigheden (rekening houdend met alle fasen van de bedrijfscyclus, zoals de tijdsduur gedurende welke het gereedschap is uitgeschakeld en stationair draait, naast de ingeschakelde tijdsduur).

**EU-Verklaring van Conformiteit**

**Wij, Makita Corporation, als de verantwoordelijke fabrikant, verklaren dat de volgende Makita-machine(s):**

Aanduiding van de machine: Haakse schuurmachine  
Modelnr./Type: SA7000C  
in serie zijn geproduceerd en

**Voldoen aan de volgende Europese richtlijnen:**

98/37/EC tot en met 28 december 2009 en daarna  
aan 2006/42/EC vanaf 29 december 2009

En zijn gefabriceerd in overeenstemming met de volgende normen of genormaliseerde documenten:

EN60745

De technische documentatie wordt bewaard door onze erkende vertegenwoordiger in Europa, te weten:

Makita International Europe Ltd.

Michigan Drive, Tongwell,

Milton Keynes, MK15 8JD, Engeland

30 januari 2009



Tomoyasu Kato  
Directeur

Makita Corporation  
3-11-8, Sumiyoshi-cho,  
Anjo, Aichi, JAPAN

Explicación de los dibujos

1 Bloqueo del eje	6 Disco abrasivo	11 Conmutador
2 Botón de bloqueo	7 Plato de goma	12 Punta aisladora
3 Interruptor de gatillo	8 Llave de contratuerca	13 Escobilla de carbón
4 Dial de ajuste de velocidad	9 Abertura de salida de aire	14 Destornillador
5 Contratuerca	10 Abertura de entrada de aire	15 Tapa del portaescobilla

ESPECIFICACIONES

<b>Modelo</b>	<b>SA7000C</b>
Diámetro del disco.....	180 mm
Rosca del mandril .....	M14
Velocidad especificada (n) /	
Velocidad en vacío (n <sub>0</sub> ) .....	0 – 4.000 min <sup>-1</sup>
Longitud total.....	453 mm
Peso neto .....	3,4 kg
Clase de seguridad .....	II / I

- Debido a un programa continuo de investigación y desarrollo, las especificaciones aquí dadas están sujetas a cambios sin previo aviso.
- Las especificaciones pueden ser diferentes de país a país.
- Peso de acuerdo con el procedimiento EPTA 01/2003

Uso previsto

La herramienta ha sido diseñada para lijar superficies grandes de madera, plástico y materiales metálicos, así como también superficies pintadas.

Alimentación

La herramienta ha de conectarse solamente a una fuente de alimentación de la misma tensión que la indicada en la placa de características, y sólo puede funcionar con corriente alterna monofásica. El sistema de doble aislamiento de la herramienta cumple con la norma europea y puede, por lo tanto, usarse también en enchufes hembra sin conductor de tierra.

GEA010-1

Advertencias de seguridad generales para herramientas eléctricas

**⚠ ¡ADVERTENCIA! Lea todas las advertencias de seguridad y todas las instrucciones.** Si no sigue todas las advertencias e instrucciones podrá ocasionar una descarga eléctrica, un incendio y/o heridas graves.

Guarde todas las advertencias e instrucciones para futuras referencias.

GEB036-2

NORMAS DE SEGURIDAD ESPECÍFICAS

**NO deje que la comodidad o familiaridad con el producto (a base de utilizarlo repetidamente) sustituya la estricta observancia de las normas de seguridad para la lijadora. Si utiliza esta herramienta de forma no segura o incorrecta, podrá sufrir graves heridas personales.**

Advertencias de seguridad comunes para la operación de lijado:

1. Esta herramienta eléctrica ha sido pensada para funcionar como lijadora. Lea todas las advertencias de seguridad, instrucciones, ilustraciones y especificaciones provistas con esta herramienta eléctrica. Si no sigue todas las instrucciones indicadas a continuación, podrá ocasionar una descarga eléctrica, un incendio y/o heridas graves.

2. **Se recomienda no realizar operaciones tales como de amolar, cepillar con grata de alambres, pulir o cortar con esta herramienta eléctrica.** La realización de operaciones para las que esta herramienta eléctrica no ha sido diseñada podrá crear un riesgo y ocasionar heridas.
3. **No utilice accesorios que no estén específicamente diseñados y recomendados por el fabricante de la herramienta.** El simple hecho de que el accesorio pueda ser instalado en su herramienta eléctrica no garantiza una operación segura.
4. **La velocidad especificada del accesorio deberá ser por lo menos igual a la máxima velocidad marcada en la herramienta eléctrica.** Los accesorios utilizados por encima de su velocidad especificada podrán romperse y salir despedidos.
5. **El diámetro exterior y el grosor de su accesorio deberán estar dentro del rango de capacidad de su herramienta eléctrica.** Los accesorios de tamaño incorrecto no podrán ser protegidos y controlados debidamente.
6. **El tamaño del agujero para eje de las almohadillas de apoyo o cualquier otro accesorio deberá encajar debidamente en el eje de la herramienta eléctrica.** Los accesorios con agujero para eje que no coincida con el eje de montaje de la herramienta eléctrica se desequilibrarán, vibrarán excesivamente y podrán ocasionar una pérdida de control.
7. **No utilice accesorios dañados. Antes de cada utilización, inspeccione el accesorio, tal como la almohadilla de apoyo para ver si tiene grietas, rajas o desgaste excesivo. Si deja caer la herramienta eléctrica o el accesorio, inspecciónelos para ver si están dañados o instale uno que no esté dañado. Después de inspeccionar e instalar un accesorio, póngase usted y cualquier curioso alejados del plano del accesorio giratorio y haga funcionar la herramienta a la máxima velocidad sin carga durante un minuto.** Los accesorios dañados normalmente se desintegrarán durante este tiempo de prueba.
8. **Póngase equipo de protección personal. En función de la aplicación, utilice pantalla facial, gafas de protección o gafas de seguridad. Según corresponda, póngase mascarilla contra el polvo, protectores auditivos, guantes y delantal de taller que pueda detener los pequeños fragmentos que salgan despedidos de la pieza de trabajo.** La protección de los ojos deberá poder detener los desechos despedidos generados en distintas operaciones. La mascarilla contra el polvo o respirador deberá poder filtrar las partículas generadas por la operación que realice. Una exposición prolongada a ruido de alta intensidad podrá ocasionar pérdida auditiva.

9. **Mantenga a los curiosos a una distancia segura del área de trabajo. Cualquier persona que entre en el área de trabajo deberá ponerse equipo de protección personal.** Los fragmentos de la pieza de trabajo o de un accesorio roto podrán salir despedidos y ocasionar heridas más allá del área de operación.
  10. **Cuando realice una operación en la que la herramienta de corte pueda entrar en contacto con cableado oculto o con su propio cable, sujete la herramienta eléctrica por las superficies de aislamiento aisladas.** El contacto con un cable con corriente hará que la corriente circule por las partes metálicas expuestas de la herramienta y podrá electrocutar al operario.
  11. **Coloque el cable de alimentación apartado del accesorio giratorio.** Si pierde el control, el cable de alimentación podrá ser cortado o enredado y su mano o brazo ser arrastrado hacia el accesorio giratorio.
  12. **No deje nunca la herramienta eléctrica hasta que el accesorio se haya detenido completamente.** El accesorio giratorio podrá agarrarse a la superficie y tirar de la herramienta eléctrica haciéndole perder el control de la misma.
  13. **No tenga en marcha la herramienta eléctrica mientras la transporta en su costado.** Un contacto accidental con el accesorio giratorio podrá enredar sus ropas, y atraer el accesorio hacia su cuerpo.
  14. **Limpie regularmente los orificios de ventilación de la herramienta eléctrica.** El ventilador del motor conducirá el polvo hacia el interior de la carcasa y una acumulación excesiva de metal en polvo podrá ocasionar peligros eléctricos.
  15. **No utilice la herramienta eléctrica cerca de materiales inflamables.** Las chispas podrán encender estos materiales.
  16. **No utilice accesorios que requieran refrigerantes líquidos.** La utilización de agua u otros refrigerantes líquidos podrá resultar en una descarga eléctrica o electrocución.
  17. **Advertencias sobre retrocesos bruscos y otros peligros relacionados**  
El retroceso brusco es una reacción repentina a una almohadilla de apoyo o cualquier otro accesorio enredado. El enredo ocasiona un detenimiento rápido del accesorio giratorio que a su vez hace que la herramienta eléctrica descontrolada sea forzada en dirección opuesta a la rotación del accesorio en el punto de bloqueo. El retroceso brusco es el resultado de un mal manejo de la herramienta eléctrica y/o procedimientos o condiciones de operación incorrectos y pueden evitarse tomando las precauciones apropiadas ofrecidas a continuación.
    - a) **Mantenga agarrada firmemente la herramienta eléctrica y coloque su cuerpo y brazo de forma que le permitan resistir las fuerzas del retroceso brusco.** Utilice siempre el mango auxiliar, si está provisto, para tener el máximo control sobre el retroceso brusco o reacción de torsión durante la puesta en marcha. El operario puede controlar las reacciones de torsión o fuerzas del retroceso brusco, si toma las precauciones adecuadas.
    - b) **No ponga nunca su mano cerca del accesorio giratorio.** El accesorio podrá retroceder bruscamente sobre su mano.
    - c) **No ponga su cuerpo en el área donde vaya a desplazarse la herramienta eléctrica si ocurre un retroceso brusco.** El retroceso brusco propulsará la herramienta en dirección opuesta al movimiento del disco en el punto del enredo.
    - d) **Tenga cuidado especial cuando trabaje esquinas, bordes afilados, etc.** Evite que el accesorio rebote o se enrede. Las esquinas, bordes afilados o los rebotes tienen una tendencia a enredar el accesorio giratorio y causar una pérdida de control o retroceso brusco.  
**No coloque un disco de tallar madera de cadena de sierra ni un disco de sierra dentado.** Tales discos crean retrocesos bruscos y pérdida de control frecuentes.
    - e) **No coloque un disco de tallar madera de cadena de sierra ni un disco de sierra dentado.** Tales discos crean retrocesos bruscos y pérdida de control frecuentes.
- Advertencias de seguridad específicas para operaciones de lijado:**
18. **No utilice discos de lijar de papel de tamaño excesivamente grandes.** Siga las recomendaciones del fabricante a la hora de seleccionar papel de lijar. Un papel de lijar más grande que sobresalga del plato de lijar presentará un peligro de laceración y puede ocasionar un enredo, desgarro del disco o un retroceso brusco.
  19. **Inspeccione la almohadilla de apoyo cuidadosamente para ver si tiene grietas, daño o deformidad antes de comenzar la operación.** Reemplace inmediatamente la almohadilla si está agrietada, dañada o deformada.
  20. **No utilice NUNCA la herramienta con discos para cortar madera u otros discos de sierra.** Tales discos, cuando se utilizan en una lijadora, saltan frecuentemente y ocasionan pérdida de control ocasionando heridas personales.
  21. **Sujete la herramienta firmemente.**
  22. **Mantenga las manos alejadas de las partes giratorias.**
  23. **Asegúrese de que el disco abrasivo no esté haciendo contacto con la pieza de trabajo antes de activar el interruptor.**
  24. **Cuando lije superficies metálicas, tenga cuidado de las chispas que salen volando.** Sujete la herramienta de forma que las chispas salgan volando en dirección contraria a usted y otras personas o materiales inflamables.
  25. **No deje la herramienta en marcha.** Tenga en marcha la herramienta solamente cuando la tenga en la mano.
  26. **No toque la pieza de trabajo inmediatamente después de la operación; podría estar muy caliente y quemarle la piel.**
  27. **Compruebe que la pieza de trabajo esté debidamente apoyada.**
  28. **Tenga presente que el disco continuará girando después de haber apagado la herramienta.**
  29. **Esta herramienta no es a prueba de agua, por lo que no deberá utilizar agua en la superficie de trabajo.**
  30. **Ventile debidamente su área de trabajo cuando realice operaciones de lijado.**

31. La utilización de esta herramienta para lijar algunos productos, pinturas y madera podrá exponer al usuario a polvo que contenga sustancias peligrosas. Utilice protección respiratoria apropiada.
32. Asegúrese siempre de que la herramienta esté apagada y desenchufada antes de realizar cualquier trabajo en ella.
33. Si el lugar de trabajo es muy caluroso y húmedo, o si está muy contaminado con polvo conductor, utilice un disyuntor (30 mA) para garantizar la seguridad del operario.
34. No utilice la herramienta con ningún material que contenga asbestos.
35. Algunos materiales contienen sustancias químicas que podrán ser tóxicas. Tenga precaución para evitar la inhalación de polvo y el contacto con la piel. Siga los datos de seguridad del abastecedor del material.
36. Utilice siempre la mascarilla contra el polvo o el respirador correcto para el material con que esté trabajando y la aplicación que realice.
37. Asegúrese de que las aberturas de ventilación se mantengan despejadas cuando trabaje en condiciones polvorientas. Si fuera necesario quitar el polvo, primero desconecte la herramienta de la toma de corriente, luego limpie (utilice objetos no metálicos) evitando dañar las partes internas.

## GUARDE ESTAS INSTRUCCIONES.

### DESCRIPCIÓN DEL FUNCIONAMIENTO

#### PRECAUCIÓN:

- Asegúrese siempre de que la herramienta esté apagada y desenchufada antes de ajustar o comprobar cualquier función de la herramienta.

#### Bloqueo del eje (Fig. 1)

#### PRECAUCIÓN:

- No accione nunca el eje cuando el vástago se esté moviendo. Podría dañarse la herramienta.

Cuando instale o extraiga accesorios, presione el bloqueo del eje para evitar que el vástago pueda girar.

#### Interruptor de encendido (Fig. 2)

#### PRECAUCIÓN:

- Antes de enchufar la herramienta, siempre chequee para ver si el interruptor de gatillo trabaja correctamente y regresa a la posición "OFF" cuando lo suelta.

Para poner en marcha la herramienta, presione simplemente el gatillo interruptor. La velocidad de la herramienta aumenta incrementando la presión ejercida en el gatillo. Suéltelo para pararla.

Para una operación continua, apriete el gatillo interruptor y después presione hacia dentro el botón de bloqueo.

Para parar la herramienta desde la posición de bloqueo, presione completamente el gatillo interruptor y luego suéltelo.

### Dial de ajuste de velocidad (Fig. 3)

La velocidad de rotación puede cambiarse girando el dial de ajuste de velocidad hasta un número de ajuste dado de 1 a 6 (6 en el momento cuando se aprieta a fondo el gatillo.)

Girando el dial en dirección del número 6 se obtiene una velocidad más alta. Y girándolo hacia el número 1 se obtiene una velocidad más baja.

Consulte la siguiente tabla para ver la relación existente entre los números de ajuste del dial y la velocidad de rotación aproximada.

Número	min <sup>-1</sup> (RPM)
1	1.500
2	1.700
3	2.000
4	2.500
5	3.300
6	4.000

#### PRECAUCIÓN:

- El dial de ajuste de velocidad sólo puede ser girado hasta 6 y retornar hasta 1. No lo fuerce a pasar del 6 o del 1, porque estropeará la función de ajuste de velocidad y no se podrá volver a utilizar.
- Si la herramienta es utilizada continuamente a bajas velocidades, el motor sufrirá sobrecarga y se calentará.

#### Función electrónica

Las herramientas equipadas con función electrónica son fáciles de utilizar gracias a las siguientes características.

#### Constante control de la velocidad

Se puede lograr un acabado fino, porque la velocidad de giro se mantiene constante incluso en condición de carga.

Además, cuando la carga en la herramienta exceda niveles excesivos, se reducirá la potencia del motor para proteger el motor contra el recalentamiento. Cuando la carga retorne a niveles admisibles, la herramienta funcionará de modo normal.

#### Función de inicio suave

Inicio suave gracias a la supresión del golpe de arranque.

### MONTAJE

#### PRECAUCIÓN:

- Asegúrese siempre de que la herramienta esté apagada y desenchufada antes de realizar cualquier trabajo en la herramienta.

#### Instalación de la empuñadura lateral (mango) (Fig. 4 y 5)

#### PRECAUCIÓN:

- Antes de realizar una operación, asegúrese siempre de que la empuñadura lateral esté instalada firmemente.

Quite uno de los tornillos que sujeta el alojamiento de los engranajes y la cubierta del cabezal, después rosque la empuñadura lateral en la herramienta.

## Instalación o desmontaje del disco abrasivo (Fig. 6 y 7)

### NOTA:

- Utilice accesorios para lijadora especificados en este manual. Estos deberán ser adquiridos aparte.

Monte el plato de goma en el eje. Coloque el disco en el plato de goma y rosque la contratuerca en el eje. Para apretar la contratuerca, presione el bloqueo del eje firmemente para que el eje no pueda girar, después apriete firmemente hacia la derecha utilizando la llave de contratuerca.

Para desmontar el disco, siga el procedimiento de instalación a la inversa.

## OPERACIÓN

### ADVERTENCIA:

- No deberá ser nunca necesario forzar la herramienta. El peso de la herramienta aplica la presión adecuada. El forzamiento y la presión excesivos podrán ocasionar una peligrosa rotura del disco.

### PRECAUCIÓN:

- No encienda nunca la herramienta cuando ésta esté en contacto con la pieza de trabajo, podría ocasionar heridas al operario.
- No utilice nunca la herramienta sin el disco abrasivo. Podría dañar seriamente el plato.
- Póngase siempre gafas de seguridad o máscara facial durante la operación.
- Después de la operación, apague siempre la herramienta y espere hasta que el disco se haya parado completamente antes de dejar la herramienta.

Sujete SIEMPRE la herramienta firmemente con una mano en la empuñadura trasera y la otra en la empuñadura lateral. Encienda la herramienta y después aplique el disco abrasivo a la pieza de trabajo.

En general, mantenga el disco abrasivo a un ángulo de unos 15 grados con la superficie de la pieza de trabajo. (Fig. 8)

Aplique una ligera presión solamente. Una presión excesiva resultará en un rendimiento deficiente y desgaste prematuro del disco abrasivo.

## MANTENIMIENTO

### PRECAUCIÓN:

- Asegúrese siempre de que la herramienta esté apagada y desenchufada antes de intentar realizar la inspección o el mantenimiento.

La herramienta y sus aberturas de ventilación han de mantenerse limpias. Limpie las aberturas de ventilación regularmente o siempre que los orificios empiecen a estar obstruidos. (Fig. 9)

## Recambio de las escobillas de carbón (Fig. 10 y 11)

Cuando la punta de resina aislante del interior de la escobilla de carbón se gaste y haga contacto con el conmutador, detendrá automáticamente el motor. Cuando ocurra esto, ambas escobillas de carbón deberán ser sustituidas. Mantenga las escobillas de carbón limpias y de forma que entren libremente en los portaescobillas. Ambas escobillas de carbón deberán ser sustituidas al mismo tiempo. Utilice únicamente escobillas de carbón idénticas.

Utilice un destornillador para quitar los tapones portaescobillas. Extraiga las escobillas desgastadas, inserte las nuevas y vuelva a colocar los tapones portaescobillas.

Para mantener la SEGURIDAD y FIABILIDAD del producto, las reparaciones, y otras tareas de mantenimiento o ajuste deberán ser realizadas en Centros Autorizados o Servicio de Fábrica de Makita, empleando siempre repuestos Makita.

## ACCESORIOS

### PRECAUCIÓN:

- Estos accesorios o acoplamientos están recomendados para utilizar con su herramienta Makita especificada en este manual. El empleo de cualesquiera otros accesorios o acoplamientos conllevará un riesgo de sufrir heridas personales. Utilice los accesorios o acoplamientos solamente para su fin establecido.

Si necesita cualquier ayuda para más detalles en relación con estos accesorios, pregunte a su centro de servicio Makita local.

- Plato de goma
- Discos abrasivos
- Contratuerca
- Llave de contratuerca
- Empuñadura lateral (mango)

ENG102-2

## Para países europeos solamente

### Ruido

El nivel de ruido A-ponderado típico determinado de acuerdo con la norma EN60745:

Nivel de presión sonora ( $L_{pA}$ ): 88 dB (A)

Nivel de potencia sonora ( $L_{WA}$ ): 99 dB (A)

Error (K): 3 dB (A)

### Póngase protectores en los oídos.

ENG228-4

### Vibración

El valor total de la vibración (suma de vectores triaxiales) determinado de acuerdo con la norma EN60745-2-3:

Modo tarea: lijado con disco

Emisión de vibración ( $a_{h, SG}$ ): 2,5 m/s<sup>2</sup> o menos

Error (K): 1,5 m/s<sup>2</sup>

Si la herramienta se utiliza para otras aplicaciones, es posible que los valores de vibración sean diferentes.

ENG901-1

- El valor de emisión de vibración declarado ha sido medido de acuerdo con el método de prueba estándar y se puede utilizar para comparar una herramienta con otra.
- El valor de emisión de vibración declarado también se puede utilizar en una valoración preliminar de exposición.

**ADVERTENCIA:**

- La emisión de vibración durante la utilización real de la herramienta eléctrica puede variar del valor de emisión declarado dependiendo de las formas en las que la herramienta sea utilizada.
- Asegúrese de identificar medidas de seguridad para proteger al operario que estén basadas en una estimación de la exposición en las condiciones reales de utilización (teniendo en cuenta todas las partes del ciclo operativo tal como las veces cuando la herramienta está apagada y cuando está funcionando en vacío además del tiempo de gatillo).

**Declaración de conformidad CE**

**Makita Corporation como fabricante responsable declara que la(s) siguiente(s) máquina(s) de Makita:**

Designación de máquina: Lijadora angular  
Modelo N°/Tipo: SA7000C

son producidas en serie y

**Cumplen con las directivas europeas siguientes:**

98/37/EC hasta el 28 de diciembre de 2009 y después con 2006/42/EC desde el 29 de diciembre de 2009

Y que están fabricadas de acuerdo con las normas o documentos normalizados siguientes:

EN60745

Los documentos técnicos los guarda nuestro representante autorizado en Europa cuya persona es:

Makita International Europe Ltd.  
Michigan Drive, Tongwell,  
Milton Keynes, MK15 8JD, Inglaterra

30 de enero de 2009



Tomoyasu Kato  
Director

Makita Corporation  
3-11-8, Sumiyoshi-cho,  
Anjo, Aichi, JAPAN



**Explicação geral**

1 Bloqueio do veio	6 Disco abrasivo	12 Ponta isolada
2 Botão de bloqueio	7 Almofada de borracha	13 Escova de carvão
3 Interruptor gatilho	8 Chave de porcas	14 Chave de parafusos
4 Marcador de regulação da velocidade	9 Ventilação de exaustão	15 Tampa do porta-escovas
5 Porca de bloqueio	10 Ventilação de inalação	
	11 Comutador	

**ESPECIFICAÇÕES**

<b>Modelo</b>	<b>SA7000C</b>
Diâmetro do disco.....	180 mm
Rosca do eixo.....	M14
Velocidade nominal (n) /	
Velocidade em vazio (n <sub>0</sub> ).....	0 – 4 000 min <sup>-1</sup>
Comprimento total.....	453 mm
Peso líquido.....	3,4 kg
Classe de segurança.....	II / I

- Devido a um programa contínuo de pesquisa e desenvolvimento, estas especificações podem ser alteradas sem aviso prévio.
- As especificações podem variar de país para país.
- Peso de acordo com o Procedimento 01/2003 da EPTA (European Power Tool Association)

**Utilização pretendida**

A ferramenta foi concebida para lixamento de grandes superfícies de madeira, plásticos e materiais de metal assim como superfícies pintadas.

**Alimentação**

A ferramenta só deve ser ligada a uma fonte de alimentação com a mesma voltagem da indicada na placa de características, e só funciona com alimentação de corrente alterna monofásica. Tem um sistema de isolamento duplo de acordo com as normas europeias e pode, por isso, utilizar tomadas sem ligação à terra.

GEA010-1

**Avisos gerais de segurança para ferramentas eléctricas**

**⚠ AVISO! Leia todos os avisos de segurança e todas as instruções.** O não cumprimento de todos os avisos e instruções pode originar choque eléctrico, incêndio e/ou ferimentos graves.

**Guarde todos os avisos e instruções para futuras referências.**

GEB036-2

**NORMAS ESPECÍFICAS DE SEGURANÇA**

**NÃO permita que a familiaridade ou a confiança no produto (adquirida com a utilização repetitiva) substitua a aderência estrita às normas de segurança da lixadeira. A utilização desta ferramenta de maneira incorrecta ou desconsiderando a segurança poderá causar graves ferimentos.**

**Advertências de segurança gerais para lixamento**

1. **Esta ferramenta eléctrica tem por finalidade funcionar como uma lixadeira. Leia os avisos de segurança, instruções, ilustrações e especificações fornecidas com a ferramenta.** O não seguimento de todas as instruções que se seguem poderá resultar em choque eléctrico, incêndio e/ou graves ferimentos.

2. **Operações como esmerilhamento, limpeza com escova metálica, polimento ou serragem não são recomendadas com esta ferramenta eléctrica.** Operações diferentes daquelas para as quais a ferramenta foi projectada podem criar situações perigosas e causar ferimentos ao operador.
3. **Não utilize acessórios que não sejam especificamente projectados e recomendados pelo fabricante.** O facto de poder instalar o acessório na ferramenta eléctrica não garante um funcionamento com segurança.
4. **A velocidade nominal do acessório deve ser pelo menos igual à velocidade máxima indicada na ferramenta.** Os acessórios que funcionam em velocidade mais alta do que a velocidade nominal podem quebrar e se estilhaçar.
5. **O diâmetro externo e a espessura do acessório devem estar dentro da capacidade nominal da ferramenta eléctrica.** Não é possível proteger ou controlar adequadamente os acessórios de tamanho incorrecto.
6. **O tamanho da haste da base protectora ou qualquer outro acessório deve encaixar devidamente no veio da ferramenta.** Acessórios com orifícios de haste que não correspondem com o hardware de instalação da ferramenta eléctrica ficam desbalanceados, vibram excessivamente e podem causar a perda de controlo.
7. **Não utilize acessórios danificados.** Antes de utilizar, inspeccione o acessório como a base protectora para ver se há trincos, rasgos ou desgaste demasiado. Se a ferramenta ou acessório cair, verifique se há danos e, em caso positivo, instale um acessório em boas condições. Após inspeccionar ou instalar um acessório, certifique-se de que os espectadores bem como você mesmo estejam afastados do acessório rotativo, e funcione a ferramenta em velocidade máxima em vazio por um minuto. Os acessórios danificados geralmente se quebram durante esta prova.
8. **Utilize equipamento de protecção pessoal. Utilize um protector facial, óculos de segurança ou protectores oculares, conforme a aplicação. Utilize uma máscara contra pó, protectores auriculares, luvas e avental capazes de resguardar contra estilhaços pequenos da peça de trabalho.** Os protectores oculares devem ter capacidade de resguardar contra fragmentos gerados por diversas operações. A máscara contra pó ou de respiração deve ter capacidade de filtrar partículas geradas pela operação com a lixadeira. A exposição prolongada a ruídos de alta intensidade pode causar a perda de audição.

9. **Mantenha os espectadores a uma distância segura da área de trabalho. Todas as pessoas que entram na área de trabalho devem utilizar equipamento de protecção pessoal.** Estilhaços da peça de trabalho ou um acessório quebrado podem ser atirados e causar ferimentos além da área imediata de operação.
10. **Segure a ferramenta pelas partes isoladas ao executar uma operação onde a ferramenta de corte possa tocar em fios ocultos ou no seu próprio fio.** O contacto com um fio "ligado" carregará as partes metálicas da ferramenta e causará choque eléctrico no operador.
11. **Coloque o fio afastado do acessório rotativo.** Se perder o controlo, o fio pode ser cortado ou ficar preso e sua mão ou braço pode ser puxado para o acessório em rotação.
12. **Nunca pouse a ferramenta eléctrica antes que o acessório tenha parado completamente.** O acessório rotativo pode enganchiar na superfície e descontrolar a ferramenta.
13. **Não funcione a ferramenta eléctrica enquanto a carga ao seu lado.** O contacto acidental com o acessório rotativo pode prender as roupas, puxando o acessório na direcção do seu corpo.
14. **Limpe os orifícios de ventilação da ferramenta eléctrica regularmente.** A ventoinha do motor aspira o pó dentro da caixa e a acumulação excessiva de metal pulverizado pode causar choque eléctrico.
15. **Não funcione a ferramenta eléctrica próximo de materiais inflamáveis.** As fagulhas podem incendiar esses materiais.
16. **Não utilize acessórios que requerem refrigerantes líquidos.** A utilização de água ou outros refrigerantes líquidos pode resultar em choque ou eletrocussão.
17. **Advertências sobre contragolpes**  
O contragolpe é uma reacção repentina a um acessório ou base protectora presa. O bloqueio causa a parada imediata do acessório rotativo que, por sua vez, causa o impulso da ferramenta descontrolada na direcção oposta à da rotação do acessório, no ponto onde foi preso. O contragolpe é o resultado de utilização imprópria da ferramenta eléctrica e/ou condições ou procedimentos incorrectos para o funcionamento e pode ser evitado tomando-se as medidas de precaução relacionadas abaixo.
  - a) **Segure firme a ferramenta eléctrica e posicione-se de tal forma que o seu corpo e braço permitam-lhe resistir à força do contragolpe. Utilize sempre o punho auxiliar, se fornecido, para controlo máximo sobre o contragolpe ou reacção do torque durante a partida.** O operador poderá controlar as reacções do torque ou as forças do contragolpe se tomar as precauções necessárias.
  - b) **Nunca coloque as mãos perto do acessório rotativo.** O acessório pode recuar sobre a sua mão.
  - c) **Posicione-se de forma a ficar afastado da área onde a ferramenta será lançada no caso de um contragolpe.** O contragolpe lança a ferramenta na direcção oposta ao movimento do disco no ponto onde prende.

- d) **Tenha cuidado especialmente ao trabalhar em cantos, arestas cortantes, etc. Evite bater com a ferramenta e prender o acessório.** Os cantos, arestas cortantes ou as batidas com a ferramenta tendem a prender o acessório rotativo e causar perda de controlo ou contragolpe.
- e) **Não instale uma lâmina para esculpir de moto-serra nem uma lâmina de serra dentada.** Essas lâminas criam contragolpes frequentes e perda de controlo.

**Advertências de segurança específicas para lixamento:**

18. **Não utilize uma lixa grande demais. Siga as recomendações do fabricante ao escolher a lixa.** Lixas grandes, que se estendem além da base de lixamento apresentam perigo de ferimentos e podem prender ou rasgar o disco ou ainda causar contragolpe.
19. **Antes de utilizar a ferramenta, verifique cuidadosamente se a base protectora não está trincada, danificada ou deformada. Troque uma base trincada, danificada ou deformada imediatamente.**
20. **NUNCA utilize a ferramenta com lâminas de cortar madeira e outras serras. A utilização dessas lâminas na lixadeira frequentemente causa contragolpe e perda de controlo, resultando em ferimentos pessoais.**
21. **Segure a ferramenta com firmeza.**
22. **Mantenha as mãos afastadas das peças rotativas.**
23. **Antes de ligar a ferramenta, certifique-se de que o disco abrasivo não faz contacto com a peça de trabalho.**
24. **Ao lixar superfícies de metal, tenha cuidado com as fagulhas. Segure a ferramenta de forma que as fagulhas voem longe de si e outras pessoas ou de materiais inflamáveis**
25. **Não deixe a ferramenta a funcionar sozinha. Funcione a ferramenta somente quando estiver segurando-a.**
26. **Não toque na peça de trabalho imediatamente após a operação; ela poderá estar muito quente e causar queimaduras.**
27. **Verifique se a peça de trabalho está devidamente apoiada.**
28. **Tenha cuidado, pois o disco continua girando após desligar a ferramenta.**
29. **Dado que esta ferramenta não é à prova d'água, não utilize água na superfície da peça de trabalho.**
30. **Ventile a área de trabalho adequadamente quando lixando.**
31. **A utilização desta ferramenta para lixar certos produtos, pinturas e madeiras pode expor o utilizador a pó que contém substâncias nocivas. Utilize equipamentos adequados de protecção de respiração.**
32. **Certifique-se sempre de que a ferramenta esteja desligada e a ficha desligada da tomada antes de executar qualquer trabalho de manutenção na mesma.**
33. **Se o local de trabalho for quente ou húmido demais, ou tiver muito pó conductivo, utilize um disjuntor de curto-circuito (30 mA) para garantir a segurança do operador.**
34. **Não utilize a ferramenta em materiais contendo asbesto.**

35. **Alguns materiais contêm produtos químicos que podem ser tóxicos. Tenha cuidado para evitar a inalação do pó e o contacto com a pele. Siga as instruções de segurança do fabricante do material.**
36. **Utilize sempre a máscara de pó/respiração adequada para o material e aplicação com que estiver a trabalhar.**
37. **Se estiver a trabalhar em locais com muito pó, verifique se as aberturas de ventilação estão limpas e desobstruídas. Se for necessário limpar o pó, desligue primeiro a ferramenta da tomada de corrente (utilize objectos não metálicos) e tenha cuidado para não danificar as peças internas.**

## GUARDE ESTAS INSTRUÇÕES.

### DESCRIÇÃO FUNCIONAL

#### PRECAUÇÃO:

- Certifique-se de que a ferramenta está desligada e a ficha retirada da tomada antes de regular ou verificar qualquer função na ferramenta.

#### Bloqueio do veio (Fig. 1)

#### PRECAUÇÃO:

- Nunca accione o bloqueio do veio quando o veio está em movimento. Pode estragar a ferramenta.

Pressione o bloqueio do veio para evitar a rotação do eixo quando coloca ou retira acessórios.

#### Interruptor (Fig. 2)

#### PRECAUÇÃO:

- Antes de ligar a ferramenta à corrente eléctrica, verifique sempre se o gatilho do interruptor funciona correctamente e regressa à posição "OFF" (desligado) quando o solta.

Para ligar a ferramenta, carregue simplesmente no gatilho. A velocidade da ferramenta aumenta quando aumenta a pressão no gatilho. Solte-o para parar.

Para operação contínua, carregue no gatilho e em seguida empurre o botão de bloqueio.

Para parar a ferramenta a partir da posição de bloqueio, carregue completamente no gatilho e em seguida solte-o.

#### Marcador de regulação da velocidade (Fig. 3)

A velocidade de rotação pode ser alterada rodando o marcador de regulação de velocidade para dado número de ajuste de 1 a 6 (6 na altura em que o gatilho está completamente carregado).

Obtém maior velocidade quando o marcador está voltado para a direcção do número 6. Obtém velocidade inferior quando está voltado para a direcção do número 1.

Refira-se à tabela abaixo para a relação entre o número do ajuste no marcador e a velocidade aproximada da rotação.

Número	min <sup>-1</sup> (R.P.M.)
1	1.500
2	1.700
3	2.000
4	2.500
5	3.300
6	4.000

#### PRECAUÇÃO:

- O marcador de regulação de velocidade só pode ser rodado até ao 6 e até ao 1. Não force para passar o 6 ou o 1 pois pode estragar a função de regulação da velocidade.
- Se a ferramenta funcionar continuamente a baixa velocidade, o motor ficará sobrecarregado e quente.

#### Função electrónica

Esta ferramenta está equipada com uma função electrónica que é de fácil operação devido às seguintes características.

#### Controlo de velocidade constante

É possível obter um acabamento preciso porque a velocidade de rotação é mantida constante mesmo em condição de esforço.

Além disso quando a carga na ferramenta excede os valores admissíveis, a alimentação do motor é reduzida para proteger o motor de sobreaquecimento. Quando a carga volta para valores admissíveis, a ferramenta funciona normalmente.

#### Função de início suave

Início suave devido à supressão do choque inicial.

### MONTAGEM

#### PRECAUÇÃO:

- Certifique-se sempre de que a ferramenta está desligada e a ficha retirada da tomada antes de executar qualquer manutenção na ferramenta.

#### Instalação do punho lateral (pega) (Fig. 4 e 5)

#### PRECAUÇÃO:

- Certifique-se sempre de que o punho lateral está instalado firmemente antes da operação.

Retire um dos parafusos que prende a caixa dos rolos e a tampa da cabeça e em seguida aparafuse o punho lateral na ferramenta.

## Instalar ou retirar o disco abrasivo (Fig. 6 e 7)

### NOTA:

- Utilize os acessórios de lixadora especificados neste manual. Devem ser comprados separadamente.

Monte a almofada de borracha no veio. Instale o disco na almofada de borracha e aparafuse a porca de bloqueio no veio. Para apertar a porca de bloqueio, pressione o travão do veio firmemente de modo a que o veio não se movimente e em seguida utilize a chave de porcas e aperte firmemente para a direita.

Para retirar o disco, siga inversamente o procedimento de instalação.

## FUNCIONAMENTO

### AVISO:

- Nunca deverá ser necessário forçar a ferramenta. O peso da ferramenta aplica a pressão adequada. Forçar e pressão excessiva pode estragar a roda.

### PRECAUÇÃO:

- Nunca ligue a ferramenta quando está em contacto com a peça de trabalho pois pode ferir o operador.
- Nunca funcione com a ferramenta sem o disco abrasivo. Pode estragar seriamente a almofada.
- Utilize sempre óculos de segurança ou uma máscara para a cara durante a operação.
- Depois da operação, desligue sempre a ferramenta e espere até que o disco esteja completamente parado antes de colocar a ferramenta de lado.

Agarre SEMPRE na ferramenta firmemente com uma mão na pega traseira e a outra na pega lateral. Ligue a ferramenta e em seguida aplique o disco abrasivo na peça de trabalho.

Geralmente mantenha o disco abrasivo num ângulo de cerca de 15 graus com a superfície de peça de trabalho. (Fig. 8)

Aplique só ligeira pressão. Pressão excessiva resultará em fraco rendimento e desgaste prematuro do disco abrasivo.

## MANUTENÇÃO

### PRECAUÇÃO:

- Antes de efectuar uma inspecção ou manutenção, desligue sempre a ferramenta e retire a ficha da tomada.

A ferramenta e as suas ventilações devem ser mantidas limpas. Limpe regularmente as ventilações de ar da ferramenta ou sempre que fiquem obstruídas. (Fig. 9)

### Substituição das escovas de carvão (Fig. 10 e 11)

Se a ponta isoladora de resina que se encontra dentro da escova de carvão entrar em contacto com o comutador, o motor desliga-se automaticamente. Se isso acontecer, substitua ambas as escovas de carvão. Mantenha as escovas de carvão limpas e livres de forma a poderem deslizar nos porta escovas. Substitua as duas escovas de carvão ao mesmo tempo. Utilize apenas escovas de carvão idênticas.

Utilize uma chave de parafusos para retirar as tampas do porta escovas. Tire as escovas gastas, coloque as novas e prenda as tampas do porta escovas.

Para manter a SEGURANÇA e a FIABILIDADE da ferramenta, as reparações e a manutenção ou as afinações só devem ser efectuadas num Centro de Assistência oficial MAKITA, utilizando sempre peças de substituição Makita.

## ACESSÓRIOS

### PRECAUÇÃO:

- Estes acessórios ou peças extra são recomendadas para utilização com a sua ferramenta Makita especificada neste manual. A utilização de qualquer outros acessórios ou peças extra podem apresentar o risco de ferimentos. Só utilize os acessórios ou peças extras para o fim a que são destinados.

Se necessitar de informações adicionais relativas a estes acessórios, solicite-as ao seu centro de assistência Makita.

- Almofada de borracha
- Discos abrasivos
- Porca de bloqueio
- Chave de porcas
- Punho lateral (pega)

ENG102-2

### Só para países Europeus

#### Ruído

A característica do nível de ruído A determinado de acordo com EN60745:

Nível de pressão de som ( $L_{pA}$ ): 88 dB (A)

Nível do som ( $L_{WA}$ ): 99 dB (A)

Variabilidade (K): 3 dB (A)

**Utilize protectores para os ouvidos.**

ENG228-4

#### Vibração

Valor total da vibração (soma vectorial tri-axial) determinado conforme EN60745-2-3:

Modo de funcionamento: lixamento

Emissão de vibração ( $a_{h,SG}$ ): 2,5  $m/s^2$  ou inferior

Variabilidade (K): 1,5  $m/s^2$

Se a ferramenta for utilizada para outros fins, os valores do nível de vibração podem ser diferentes.

ENG901-1

- O valor da emissão de vibração indicado foi medido de acordo com o método de teste padrão e pode ser utilizado para comparar duas ferramentas.
- O valor da emissão de vibração indicado pode também ser utilizado na avaliação preliminar da exposição.

### AVISO:

- A emissão de vibração durante a utilização real da ferramenta eléctrica pode diferir do valor de emissão indicado, dependendo das formas como a ferramenta é utilizada.
- Certifique-se de identificar as medidas de segurança para protecção do operador que sejam baseadas em uma estimativa de exposição em condições reais de utilização (considerando todas as partes do ciclo de operação, tal como quando a ferramenta está desligada e quando está a funcionar em marcha lenta além do tempo de accionamento).

**Declaração de conformidade CE**

**Nós, a Makita Corporation, fabricante responsável, declaramos que a(s) seguinte(s) ferramenta(s)**

**Makita:**

Designação da ferramenta: Lixadora angular

Modelos nº/Tipo: SA7000C

são de produção de série e

**Em conformidade com as seguintes directivas europeias:**

98/37/EC até 28 de dezembro de 2009 e 2006/42/

EC a partir de 29 de dezembro 2009

E estão fabricados de acordo com as seguintes normas ou documentos normativos:

EN60745

A documentação técnica é mantida pelo nosso representante autorizado na Europa:

Makita International Europe Ltd.

Michigan Drive, Tongwell,

Milton Keynes, MK15 8JD, Inglaterra

30 de janeiro de 2009



Tomoyasu Kato  
Director

Makita Corporation  
3-11-8, Sumiyoshi-cho,  
Anjo, Aichi, JAPAN

**Illustrationsoversigt**

1 Spindellås	6 Slibeskive	11 Kommutator
2 Låseknop	7 Gummipude	12 Isolerende spids
3 Afbryderkontakt	8 Låsemøtriknøgle	13 Kul
4 Hastighedsvælger	9 Udstødsåbning	14 Skruetrækker
5 Låsemøtrik	10 Indsugningsåbning	15 Kuldæksel

**SPECIFIKATIONER**

<b>Model</b>	<b>SA7000C</b>
Skivediameter.....	180 mm
Spindelgevind.....	M14
Nominelle hastighed (n) /	
Omdrejninger (n <sub>0</sub> ).....	0 – 4 000 min <sup>-1</sup>
Længde.....	453 mm
Vægt.....	3,4 kg
Sikkerhedsklasse .....	II / I

- Ret til tekniske ændringer forbeholdes.
- Specifikationer kan variere fra land til land.
- Vægt i henhold til EPTA-Procedure 01/2003

**Tilsluttet anvendelse**

Denne maskine beregnet til slibning af større flader af træ, plast- og metalmaterialer samt maledede overflader.

**Strømforsyning**

Maskinen må kun tilsluttes en strømforsyning med samme spænding som angivet på typeskiltet, og kan kun anvendes på enfaset vekselstrømforsyning. I henhold til de europæiske retningslinier er den dobbeltisoleret og kan derfor også tilsluttes netstik uden jordforbindelse.

GEA010-1

**Almindelige sikkerhedsregler for el-værktøj**

**⚠ ADVARSEL! Læs alle sikkerhedsadvarsler og alle sikkerhedsinstruktioner.** Hvis nedenstående advarsler og instruktioner ikke overholdes, kan resultatet blive elektrisk stød, brand og/eller alvorlig personskade.

**Gem alle advarsler og instruktioner til fremtidig reference.**

GEB036-2

**SÆRLIGE SIKKERHEDSFORSKRIFTER**

Lad IKKE bekvemmelighed og kendskab til produktet (opnået gennem gentagen anvendelse) erstatte nøje overholdelse af sikkerhedsforskrifterne for maskinen. Hvis denne maskine anvendes på en sikkerhedsmæssig uforvarlig eller fejlagtig måde, kan resultatet blive alvorlig tilskadekomst.

**Almindelige sikkerhedsregler for pudsnings:**

1. Denne maskine er en polermaskine. Læs alle de sikkerhedsadvarsler, instruktioner, illustrationer og specifikationer, som følger med denne maskine. Forsømmelse af at følge alle instruktionerne herunder kan resultere i elektrisk stød, brand og/eller alvorlig tilskadekomst.
2. Anvendelse til arbejde, som maskinen ikke er beregnet til, kan være årsag til farlige situationer og personskade.
3. Anvend ikke tilbehør, som ikke er specifikt lavet og anbefalet af maskinens fabrikant. Den omstændighed, at tilbehøret kan monteres på din maskine, er ingen garanti for, at anvendelsen bliver sikkerhedsmæssig forsvarlig.

4. Tilbehøret skal være beregnet til mindst den nominelle hastighed, som er anført på maskinen. Tilbehør, som kører med en større hastighed end den, som tilbehøret er beregnet til, kan brække og slynges af.
5. Tilbehørets ydre diameter og tykkelse skal være inden for din maskines kapacitetsrating. Tilbehør med en forøkt størrelse kan ikke beskyttes eller styres tilstrækkeligt.
6. Dornstørrelsen på bagskiverne eller andet tilbehør skal passe nøjagtigt til spindelen på maskinen. Tilbehør med dornhuller, som ikke passer til maskinens monteringsdele, vil miste balancen, vibrere ekstremt og kan føre til tab af kontrol.
7. Anvend ikke beskadiget tilbehør. Tilbehøret for hver brug, som for eksempel bagskiven, for revner, slitage eller nedslidning. Hvis maskinen eller tilbehøret tabes, skal de efterses for skade, eller en ubeskadiget tilbehørsdel skal monteres. Efter inspektion og montering af tilbehør, skal De og omkringstående stå på god afstand af det roterende tilbehørs høvl, og maskinen skal køres på højeste, ubelastede hastighed i et minut. Beskadiget tilbehør vil normalt brække under prøvetiden.
8. Bør altid personligt beskyttelsesudstyr. Afhængigt af arbejdets art, skal der anvendes ansigtsmaske, beskyttelsesbriller eller sikkerhedsbriller. Bær støvmaske, høreværn, handsker og forklæde, som er i stand til at stoppe mindre stykker af arbejdsemnet. Øjenbeskyttelsen skal kunne stoppe afslyngede stykker, som er frembragt af forskelligt arbejde. Støvmaske og respirator skal kunne stoppe filtreringspartikler, som er frembragt af arbejdet. Længere tids udsættelse for støj af høj intensitet kan føre til høretab.
9. Hold tilskuere på god afstand af arbejdsområdet. Enhver person, som befinder sig i arbejdsområdet, skal bære personligt beskyttelsesudstyr. Fragmenter fra arbejdsemner eller fra brækket tilbehør kan blive slynget af og være årsag til tilskadekomst, også uden for det umiddelbare arbejdsområde.
10. Hold kun maskinen i de isolerede håndtagsflader, når der udføres et arbejde, hvor det skærende tilbehør kan komme i berøring med skjulte ledninger eller dets egen ledning. Skærende tilbehør, som kommer i berøring med en strømførende ledning, kan bevirke, at udsatte metaldele af maskinen bliver ledende, hvorved operatoren kan få stød.
11. Anbring altid ledningen, så den ikke kommer i kontakt med drejende tilbehør. Hvis De mister herredømmet over maskinen, kan ledningen blive skåret over, og Deres hånd eller arm kan komme i kontakt med det roterende tilbehør.

12. **Læg aldrig maskinen fra Dem, før tilbehøret er stoppet fuldstændigt.** Det roterende tilbehør kan gribe fat i overfladen, hvilket kan bevirke, at De mister herredømmet over maskinen.
13. **Lad ikke maskinen køre, mens De bærer den ved siden.** Utilslaget kontakt med det roterende tilbehør kan gribe fat i tøjet og derved trække tilbehøret ind mod kroppen.
14. **Rengør maskinens ventilationsåbninger med jævne mellemrum.** Motorens vifte vil trække støv ind i huset, og en kraftig ophobning af metalstøv kan skabe elektrisk fare.
15. **Anvend ikke maskinen i nærheden af brændbare materialer.** Disse materialer kan blive antændt af gnister.
16. **Anvend ikke tilbehør, der kræver kølevæske.** Anvendelse af vand eller anden kølevæske kan resultere i dødelige stød eller elektriske stød.
17. **Tilbageslag og relaterede advarsler**  
Tilbageslag er en pludselig reaktion på en blokeret, roterende bagskive eller andet tilbehør. Blokering forårsager hurtigt standsning af det roterende tilbehør, som derved bliver årsag til, at den ukontrollerede maskine bliver tvunget i den modsatte retning på tidspunktet for bindingen. Tilbageslag er resultatet af misbrug af maskinen og/eller fejlagtig anvendelse eller forkerte brugsforhold og kan undgås ved at man tager de rigtige forholdsregler som vist herunder.
  - a) **Hold godt fast i maskinen og hold kroppen og armen således, at De kan modvirke tilbageslagskraften. Anvend altid hjælpehåndtaget, hvis et sådant medfølger, til at opnå maksimal kontrol af tilbageslag og drejningsmoment under starten.** Operatøren kan kontrollere drejningsmomentreaktion eller tilbageslagskraft, hvis de rigtige forholdsregler tages.
  - b) **Anbring aldrig hænderne i nærheden af roterende tilbehør.** De risikerer at få hånden ind i tilbageslagets bane.
  - c) **Stil Dem ikke i det område, hvor maskinen vil bevæge sig, hvis et opstår tilbageslag.** Tilbageslag vil slynge maskinen i den modsatte retning af hjulets omdrejning på blokeringsøjeblikket.
  - d) **Vær særlig omhyggelig, når De arbejder på hjørner, skarpe kanter etc. Undgå at bumpe eller blokere tilbehøret.** Hjørner, skarpe kanter eller bumpen har tendens til at blokere det roterende tilbehør og forårsage tab af kontrol eller tilbageslag.
  - e) **Monter ikke en kædesavs træskæreklinge eller en savklinge med tænder.** Sådanne klinger giver hyppige tilbageslag og tab af kontrol.
18. **Anvend ikke sandpapir i overstørrelse til skiven. Følg fabrikantens anbefalinger, når De vælger sandpapir.** Sandpapir af en størrelse, som går ud over polerskiven udgør en fare for sønderrivelse og kan føre til blokering, ødelæggelse af skiven og/eller tilbageslag.
19. **Kontroller bagskiven omhyggeligt for revner, beskadigelse eller deformerede steder før anvendelse. Udskift øjeblikkeligt en revnet, beskadiget eller deformeret skive.**
20. **Anvend ALDRIG maskinen med træskæreklinger eller andre savklinger. Sådanne klinger er hyppigt årsag til tilbageslag, hvis de anvendes på en polermaskine, og kan medføre tab af kontrol, hvilket kan føre til personskade.**
21. **Hold godt fast på maskinen.**
22. **Hold hænderne væk fra de roterende dele.**
23. **Sørg for, at slibeskinen ikke er i kontakt med arbejdsområdet, før der tændes med afbryderen.**
24. **Når der pudses metaloverflader med sandpapir, skal De være opmærksom på flyvende gnister. Hold maskinen, så gnisterne flyver væk fra Dem selv og andre personer eller brændbare materialer.**
25. **Læg ikke maskinen fra Dem, mens den stadig kører. Anvend kun maskinen som håndværktøj.**
26. **Berør ikke arbejdsområdet lige efter at arbejdet er udført. Det kan blive meget varmt og være årsag til forbrændinger.**
27. **Kontroller, at arbejdsområdet er ordentligt understøttet.**
28. **Vær opmærksom på, at hjulet bliver ved med at dreje, efter at maskinen er stoppet.**
29. **Denne maskine er ikke vandtæt, så kom ikke vand på arbejdsområdets overflade.**
30. **Sørg for tilstrækkelig udluftning af arbejdsstedet, når De udfører pudsningsarbejde.**
31. **Anvendelse af denne maskine til at pudse visse produkter, malede flader og træ, kan bevirke, at brugeren udsættes for støv, som indeholder farlige substanser. Anvend en passende støvmaske.**
32. **Sørg altid for, at maskinen er afbrudt og taget ud af forbindelse, inden De udfører arbejde på maskinen.**
33. **Hvis arbejdsstedet er ekstremt varmt eller fugtigt, eller er slemt forurenede af ledende støv, bør der anvendes en kortslutningsafbryder (30 mA) for at garantere operatørens sikkerhed under arbejdet.**
34. **Anvend aldrig denne maskine på materialer, som indeholder asbest.**
35. **Nogle materialer indeholder kemikalier, som kan være giftige. Vær omhyggelig med at forhindre inhalering af støv og hudkontakt. Følg fabrikantens sikkerhedsforskrifter.**
36. **Benyt altid den/det korrekte støvmaske/åndedrætsværn til det materiale og den anvendelse, som De arbejder med.**
37. **Sørg altid for, at ventilationsåbningerne forbliver ublokerede, når der arbejdes under støvede forhold. Hvis det skulle blive nødvendigt at fjerne støv, skal De først tage maskinens netledning ud af stikkontakten og derefter rengøre maskinen (med anvendelse af ikke-metalliske genstande), idet der udvises forsigtighed, så de indvendige dele ikke beskadiges.**

**GEM DISSE FORSKRIFTER.**

## BESKRIVELSE AF FUNKTIONERNE

### FORSIGTIG:

- Kontroller altid, at maskinen er afbrudt og taget ud af forbindelse, inden du begynder at justere eller kontrollere dets funktion.

### Spindlélås (Fig. 1)

#### FORSIGTIG:

- Aktiver aldrig spindlélåsen, mens spindlen er i bevælgelse. Maskinen kan blive beskadiget.

Tryk på spindlélåsen for at forhindre at spindlen drejer med, når der monteres eller afmonteres tilbehør.

### Afbryderkontaktbetjening (Fig. 2)

#### FORSIGTIG:

- Før maskinen sættes til netstikket, skal De altid kontrollere, at afbryderkontakten fungerer korrekt og returnerer til "OFF" positionen, når den slippes.

Tryk på afbryderkontakten for at starte maskinen. Maskinens hastighed øges ved at øge trykket på afbryderen. Slip afbryderkontakten for at stoppe maskinen.

For uafbrudt anvendelse skal du trække afbryderkontakten og derefter trykke låseknappen ind.

For at stoppe maskinen fra denne låste position trykkes afbryderkontakten helt i bund, hvorefter den slippes.

### Hastighedsvælger (Fig. 3)

Rotationshastigheden kan ændres ved at dreje hastighedsvælgeren til en given talindstilling fra 1 til 6 (6 på det tidspunkt, hvor afbryderkontakten er trukket helt.)

Højere hastighed opnås, når vælgeren drejes i retning af 6. Langsommere hastighed opnås, når vælgeren drejes i retning af 1.

Se nedenstående tabel for forholdet mellem talindstillingerne på vælgeren og den omtrentlige rotationshastighed.

Tal	min <sup>-1</sup> (R.P.M.)
1	1 500
2	1 700
3	2 000
4	2 500
5	3 300
6	4 000

### FORSIGTIG:

- Hastighedsreguleringsknappen kan kun drejes til 6 og tilbage til 1. Forsøg ikke at tvinge den forbi 6 eller 1, da anordningen til regulering af hastigheden kan blive ødelagt.
- Hvis maskinen anvendes uafbrudt ved lav hastighed, vil motoren blive overbelastet og overophedet.

### Elektronisk funktion

Maskinen, som er udstyret med elektronisk funktion, er nemt at arbejde med på grund af de herunder nævnte egenskaber.

### Konstant hastighedskontrol

Elektronisk hastighedskontrol til opnåelse af konstant hastighed. Det er muligt at opnå en fin finish, fordi rotationshastigheden holdes konstant, selv i belastet tilstand.

Derudover, hvis belastningen på maskinen overstiger det tilladte niveau, reduceres strømmen til motoren for at beskytte motoren mod overophedning. Når belastningen igen er på et tilladt niveau, vil maskinen fungere på normal vis.

### Funktion for blød start

Blød start på grund af undertrykt startstød.

## SAMLING

### FORSIGTIG:

- Sørg altid for, at maskinen er afbrudt og taget ud af forbindelse, inden der udføres noget arbejde på maskinen.

### Montering af sidegreb (håndtag) (Fig. 4 og 5)

#### FORSIGTIG:

- Sørg altid for, at sidegrebet er ordentlig monteret inden brugen.

Fjern en af de skruer, som fastholder gearhuset og hoveddækslet og skru derefter grebet på maskinen.

### Montering og afmontering af slibeskive (Fig. 6 og 7)

#### BEMÆRK:

- Anvend polerertilbehør som specificeret i denne brugsvejledning. Det sælges separat.

Monter gummipuden på spindelen. Sæt skiven på gummipuden og skru låsemøtrikken på spindelen. Låsemøtrikken strammes ved at man trykker aksellåsen godt ind, så spindelen ikke kan rotere og derefter strammer godt til i retningen med uret med låsemøtriknøglen.

Følg monteringsproceduren i omvendt rækkefølge ved afmontering af skiven.

## ANVENDELSE

### ADVARSEL:

- Det bør aldrig være nødvendigt at anvende magt, når maskinen bruges. Maskinens egen vægt giver et tilstrækkeligt tryk. Anvendelse af magt og et for stort tryk kan bevirke, at skiven brækker, hvilket er farligt.

### FORSIGTIG:

- Tænd aldrig for maskinen, når den er i berøring med arbejdsemnet, da dette kan bevirke, at operatøren kommer til skade.
- Anvend aldrig maskinen uden slibeskiven. Dette kan bevirke, at puden lider alvorlig skade.
- Bær altid sikkerhedsbriller eller ansigtsmaske under arbejdet.
- Afbryd altid maskinen efter anvendelsen og vent til skiven er standset helt, inden De lægger maskinen fra Dem.

Hold ALTID godt fast i maskinen med den ene hånd på baghåndtaget og den anden på sidehåndtaget. Tænd for maskinen og anbring derefter slibeskiven på arbejdsemnet.

Almindeligvis skal slibeskiven holdes i en vinkel på cirka 15 grader mod arbejdsemnets overflade. (Fig. 8)

Udøv kun en let tryk. Et for kraftigt tryk vil resultere i en dårlig ydelse og for megen slitage på slibeskiven.



## VEDLIGEHOJDELSE

### FORSIGTIG:

- Kontrollér altid, at maskinen er slået fra, og netledningen taget ud af stikkontakten, inden De udfører inspektion eller vedligeholdelse.

Maskinen og dens ventilationsåbninger skal altid holdes rene. Rengør maskinens ventilationsåbninger med jævne mellemrum eller når ventilationsåbningerne begynder at blive tilstoppede (**Fig. 9**)

### Udskiftning af kul (**Fig. 10 og 11**)

Når den ikke-ledende resin spids inde i kullet bliver blotlagt og kontakter kommutatoren, vil det automatisk slukke motoren. Når dette sker, skal begge kul udskiftes. Hold kullene rene, så de ubesværet glider ind i holderne. Begge kul skal udskiftes samtidigt. Brug kun identiske kul.

Benyt en skruetrækker til at afmontere kulholderdækslerne. Tag de slidte kul ud, isæt de nye og fastgør derefter kulholderdækslerne.

For at opretholde produktets SIKKERHED og PÅLIDELIGHED bør reparation, vedligeholdelse og justering kun udføres af et Makita Service Center med anvendelse af original Makita udskiftningsdele.

## TILBEHØR

### FORSIGTIG:

- Dette udstyr og tilbehør bør anvendes sammen med Deres Makita maskine, sådan som det er beskrevet i denne brugsanvisning. Anvendelse af andet udstyr eller tilbehør kan udgøre en risiko for personskade. Tilbehøret bør kun anvendes til det, det er beregnet til.

Hvis De behøver hjælp ved valg af tilbehør eller ønsker yderligere informationer, bedes De kontakte Deres lokale Makita service center.

- Gummipude
- Slibeskiver
- Låsemøtrik
- Låsemøtriknøgle
- Sidegreb (håndtag)

ENG102-2

## Kun for lande i Europa

### Lyd

Det typiske A-vægtede støjniveau bestemt i overensstemmelse med EN60745:

Lydtryksniveau ( $L_{pA}$ ): 88 dB (A)  
 Lydeffektniveau: ( $L_{WA}$ ): 99 dB (A)  
 Usikkerhed (K): 3 dB (A)

### Bær høreværn.

ENG228-4

### Vibration

Vibrations totalværdi (tre-aksial vektorsum) bestemt i overensstemmelse med EN60745-2-3:

Arbejdsindstilling: skivepudsning  
 Vibrationsafgivelse ( $a_{h, SG}$ ): 2,5 m/s<sup>2</sup> eller mindre  
 Usikkerhed (K): 1,5 m/s<sup>2</sup>

Hvis maskinen anvendes til andre formål, kan værdierne for vibration være anderledes.

- Den angivne vibrationsemissionsværdi er blevet målt i overensstemmelse med standardtestmetoden og kan anvendes til at sammenligne en maskine med en anden.
- Den angivne vibrationsemissionsværdi kan også anvendes i en preliminær eksponeringsvurdering.

### ADVARSEL:

- Vibrationsemissionen under den faktiske anvendelse af maskinen kan være forskellig fra den erklærede emissionsværdi, afhængigt af den måde, hvorpå maskinen anvendes.
- Sørg for at identificere de sikkerhedsforskrifter til beskyttelse af operatøren, som er baseret på en vurdering af eksponering under de faktiske brugsforhold (med hensyntagen til alle dele i brugscyklen, som f.eks. de gange, hvor maskinen er slukket og når den kører i tomgang i tilgift til afbrydertiden).

ENH101-12

## EU-konformitetserklæring

**Vi, Makita Corporation, erklærer, som den ansvarlige fabrikant, at den (de) følgende Makita maskine(r):**

Maskinens betegnelse: Vinkelpolerer

Model nr./Type: SA7000C

er af serieproduktion og

**opfylder betingelserne i de følgende EU-direktiver:**

98/37/EC indtil 28. december 2009 og derefter med 2006/42/EC fra 29. december 2009

og er fremstillet i overensstemmelse med de følgende standarder eller standardiserede dokumenter:

EN60745

Den tekniske dokumentation opbevares af vores autoriserede repræsentant i Europa, som er:

Makita International Europe Ltd.

Michigan Drive, Tongwell,

Milton Keynes, MK15 8JD, England

30. januar 2009



Tomoyasu Kato  
Direktør

Makita Corporation  
3-11-8, Sumiyoshi-cho,  
Anjo, Aichi, JAPAN

**Περιγραφή γενικής άποψης**

1	Εξάρτημα κλειδώματος άξονα	6	Δίσκος απόξεσης	11	Μετατροπέας ηλεκτρικού ρεύματος
2	Κουμπί ασφάλισης	7	Ελαστικό υπόθεμα	12	Μονωτικό άκρο
3	Σκανδάλη διακόπτης	8	Κλειδί παξιμαδιού ασφάλισης	13	Καρβουνάκια
4	Καντράν ρύθμισης ταχύτητας	9	Ανοιγμα εξόδου αέρα	14	Κατσαβίδι
5	Παξιμάδι ασφάλισης	10	Ανοιγμα εισόδου αέρα	15	Καπάκι θήκης καρβουνάκι

**ΤΕΧΝΙΚΑ ΧΑΡΑΚΤΗΡΙΣΤΙΚΑ**

<b>Μοντέλο</b>	<b>SA7000C</b>
Διάμετρος δίσκου .....	180 χιλ.
Σπείρωμα ατράκτου .....	M14
Ονομαστική ταχύτητα (n) / Ταχύτητα χωρίς φορτίο (n <sub>0</sub> ) .....	0 – 4.000 λεπτό <sup>-1</sup>
Ολικό μήκος .....	453 χιλ.
Βάρος Καθαρό .....	3,4 Χγρ
Κατηγορία ασφάλειας .....	<input checked="" type="checkbox"/> II

- Λόγω του συνεχιζόμενου προγράμματος έρευνας και ανάπτυξης, οι παρούσες προδιαγραφές υποκείνται σε αλλαγή χωρίς προειδοποίηση.
- Τα τεχνικά χαρακτηριστικά μπορεί να διαφέρουν από χώρα σε χώρα.
- Βάρος σύμφωνα με διαδικασία EPTA 01/2003

**Προοριζόμενη χρήση**

Το εργαλείο προορίζεται για λείανση μεγάλων επιφανειών από ξύλο, πλαστικών και μεταλλικών υλικών καθώς και βαμμένων επιφανειών.

**Ρευματοδότηση**

Το εργαλείο πρέπει να συνδέεται μόνο σε παροχή ρεύματος της ίδιας τάσης με αυτή που αναφέρεται στην πινακίδα κατασκευαστού και μπορεί να λειτουργήσει μόνο με εναλλασσόμενο μονοφασικό ρεύμα. Τα μηχανήματα αυτά έχουν διπλή μόνωση σύμφωνα με τα Ευρωπαϊκά Πρότυπα και κατά συνέπεια, μπορούν να συνδεθούν σε ακροδέκτες χωρίς σύρμα γείωσης.

GEA010-1

**Γενικές προειδοποιήσεις ασφαλείας για το ηλεκτρικό εργαλείο**

**⚠ ΠΡΟΕΙΔΟΠΟΙΗΣΗ** Διαβάστε όλες τις προειδοποιήσεις ασφαλείας και όλες τις οδηγίες. Η μη τήρηση των προειδοποιήσεων και οδηγιών ενδέχεται να καταλήξει σε ηλεκτροπληξία, πυρκαγιά ή/και σοβαρό τραυματισμό.

**Φυλάξτε όλες τις προειδοποιήσεις και τις οδηγίες για μελλοντική παραπομπή.**

GEB036-2

**ΕΙΔΙΚΟΙ ΚΑΝΟΝΕΣ ΑΣΦΑΛΕΙΑΣ**

**ΜΗΝ** επιτρέψτε στην βολικότητα ή εξοικείωση με το προϊόν (που αποκτήθηκε από επανειλημμένη χρήση) να αντικαταστήσει την αυστηρή προσήλωση στους κανόνες ασφαλείας του λειαντήρα. Εάν χρησιμοποιείτε το εργαλείο αυτό χωρίς ασφάλεια ή εσφαλμένα, μπορεί να σας προκληθεί σοβαρός προσωπικός τραυματισμός.

**Προειδοποιήσεις ασφαλείας κοινές για λειαντικές λειτουργίες:**

- 1. Αυτό το ηλεκτρικό εργαλείο προορίζεται για λειτουργία ως λειαντήρας. Διαβάστε όλες τις προειδοποιήσεις ασφαλείας, οδηγίες, εικονογραφήσεις και προδιαγραφές που παρέχονται με αυτό το ηλεκτρικό εργαλείο.** Αμέλεια να ακολουθήσετε όλες τις οδηγίες που αναγράφονται παρακάτω μπορεί να έχει ως αποτέλεσμα ηλεκτροπληξία, φωτιά και/ή προσωπικό τραυματισμό.
- 2. Λειτουργίες όπως τρόχισμα, ξύσιμο συρμάτων, στίλβωμα ή κόψιμο δεν συνιστάται να εκτελούνται με αυτό το ηλεκτρικό εργαλείο.** Λειτουργίες για τις οποίες το ηλεκτρικό αυτό εργαλείο δεν έχει σχεδιαστεί μπορεί να δημιουργήσουν κίνδυνο και να προκαλέσουν προσωπικό τραυματισμό.
- 3. Μη χρησιμοποιείτε εξαρτήματα που δεν είναι ειδικά σχεδιασμένα και συνιστώμενα από τον κατασκευαστή του εργαλείου.** Απλώς και μόνο επειδή το εξάρτημα μπορεί να προσαρτηθεί στο εργαλείο, αυτό δεν εξασφαλίζει ασφαλή λειτουργία.
- 4. Η αναγραφόμενη ταχύτητα του εξαρτήματος πρέπει να είναι τουλάχιστον ίση με την μέγιστη ταχύτητα που είναι σημειωμένη στο ηλεκτρικό εργαλείο.** Εξαρτήματα που λειτουργούν ταχύτερα από την αναγραφόμενη ταχύτητα τους μπορεί να σπάσουν και να εκτοξευθούν.
- 5. Η εξωτερική διάμετρος και το πάχος του εξαρτήματός σας πρέπει να είναι μέσα στα όρια ικανότητας του εργαλείου σας.** Εξαρτήματα μη σωστού μεγέθους δεν μπορούν να επιτηρηθούν ή να ελεγχθούν επαρκώς.
- 6. Το μέγεθος στελέχους των βάσεων υποστήριξης ή οποιοδήποτε άλλο εξαρτήματος πρέπει να εφαρμόζει στον άξονα του ηλεκτρικού εργαλείου.** Εξαρτήματα με τρύπες στελεχών που δεν ταιριάζουν με τον εξοπλισμό εγκατάστασης του ηλεκτρικού εργαλείου θα λειτουργούν χωρίς ισορροπία, θα δονούνται υπερβολικά και μπορεί να προκαλέσουν απώλεια ελέγχου.
- 7. Μη χρησιμοποιείτε εξαρτήματα που έχουν ζημιές.** Πριν από κάθε χρήση ελέγχετε το εξάρτημα όπως τις βάσεις υποστήριξης για ρωγμές, σχίσιμο ή υπερβολική φθορά. Εάν το ηλεκτρικό εργαλείο ή το εξάρτημα πέσει κάτω, ελέγξτε το για ζημιές ή προσαρμόστε ένα καλό εξάρτημα. Μετά τον έλεγχο και την προσαρμογή ενός εξαρτήματος, απομακρυνθείτε εσείς και οι γύρω σας από το επίπεδο περιστροφής του εξαρτήματος και λειτουργήστε το ηλεκτρικό εργαλείο σε μέγιστη ταχύτητα χωρίς φορτίο για ένα λεπτό. Εξαρτήματα με ζημιές θα τεθούν κανονικά εκτός λειτουργίας κατά τον χρόνο αυτής της δοκιμής.

8. **Φοράτε προσωπικό προστατευτικό εξοπλισμό.** Ανάλογα με την εφαρμογή, χρησιμοποιείτε ασπίδα προσώπου, προστατευτικά ματιών ή γυαλιά ασφάλειας. Ανάλογα με την περίπτωση, Φορέστε μάσκα σκόνης, ωτασπίδες, γάντια και ποδιά εργαστήριου με ικανότητα σταματήματος μικρών τεμαχιδίων. Η προστασία ματιών πρέπει να είναι σε θέση να σταματάει ιπτάμενα σωματίδια παραγόμενα από διάφορες λειτουργίες. Η μάσκα σκόνης ή αναπνευστήρας πρέπει να είναι ικανή να φιλτράρει σωματίδια παραγόμενα από τις λειτουργίες σας. Παρατεταμένη έκθεση σε θόρυβο υψηλής συχνότητας μπορεί να προκαλέσει απώλεια ακοής.
9. **Κρατάτε τους γύρω σας σε μία ασφαλή απόσταση από τον χώρο εργασίας.** Οποιοσδήποτε εισερχόμενος στον χώρο εργασίας πρέπει να φορά προσωπικό προστατευτικό εξοπλισμό. Τεμαχίδια από το αντικείμενο εργασίας ή από ένα σπασμένο εξάρτημα μπορεί να εκτιναχθούν μακριά και να προκαλέσουν τραυματισμό πέραν της άμεσης περιοχής λειτουργίας.
10. **Κρατάτε το ηλεκτρικό εργαλείο μόνο από τις μονωμένες επιφάνειες κρατήματος, όταν εκτελείτε μία εργασία όπου το εξάρτημα κοπής μπορεί να έρθει σε επαφή με κρυμμένες καλωδιώσεις ή και με το δικό του καλώδιο.** Το εξάρτημα κοπής που έρχεται σε επαφή με ένα ηλεκτροφόρο καλώδιο μπορεί να κάνει τα εκτεθειμένα μεταλλικά μέρη του ηλεκτρικού εργαλείου ηλεκτροφόρα και να προκαλέσει ηλεκτροπληξία στον χρήστη.
11. **Κρατήστε το καλώδιο μακριά από το περιστρεφόμενο εξάρτημα.** Εάν χάσετε τον έλεγχο, το καλώδιο μπορεί να κοπεί ή να πιαστεί και το χέρι σας μπορεί να τραβηχθεί μέσα στο περιστρεφόμενο εξάρτημα.
12. **Ποτέ μη τοποθετείτε το ηλεκτρικό εργαλείο κάτω μέχρι το εξάρτημα να έχει σταματήσει τελείως.** Το περιστρεφόμενο εξάρτημα μπορεί να πιάσει την επιφάνεια και να τραβήξει το ηλεκτρικό εργαλείο έξω από τον έλεγχο σας.
13. **Μη λειτουργείτε το ηλεκτρικό εργαλείο ενώ το μεταφέρετε στο πλευρό σας.** Τυχάια επαφή με το περιστρεφόμενο εξάρτημα μπορεί να προκαλέσει πιάσιμο στα ρούχα σας και να τραβήξει το εξάρτημα μέσα στο σώμα σας.
14. **Καθαρίζετε τακτικά τις εξόδους αερισμού του ηλεκτρικού εργαλείου.** Ο ανεμιστήρας του κινητήρα θα ταβήξει την σκόνη μέσα στο περιβλήμα και υπερβολική συγκέντρωση ρινισμάτων μετάλλου μπορεί να προκαλέσει ηλεκτρικούς κινδύνους.
15. **Μη λειτουργείτε το ηλεκτρικό εργαλείο κοντά σε εύφλεκτα υλικά.** Σπινθήρες μπορεί να αναφλέξουν τα υλικά αυτά.
16. **Μη χρησιμοποιείτε εξαρτήματα που χρειάζονται ψυκτικά υγρά.** Η χρήση νερού ή άλλων ψυκτικών υγρών μπορεί να προκαλέσουν ηλεκτροπληξία ή σοκ.
17. **Οπισθολάκτισμα και σχετικές προειδοποιήσεις**  
 Το οπισθολάκτισμα είναι μια ξαφνική αντίδραση σε μία εμπλοκή της περιστρεφόμενης βάσης υποστήριξης ή οποιοδήποτε άλλο εξαρτήματος. Μία εμπλοκή προκαλεί γρήγορο σταμάτημα του περιστρεφόμενου εξαρτήματος το οποίο με την σειρά του αναγκάζει το μη ελεγχόμενο ηλεκτρικό εργαλείο να κινηθεί προς την αντίθετη διεύθυνση της περιστροφής του εξαρτήματος στο σημείο της εμπλοκής. Το οπισθολάκτισμα είναι αποτέλεσμα κακής χρήσης του ηλεκτρικού εργαλείου και/ή εσφαλμένων χειρισμών ή συνθηκών και μπορεί να αποφευχθεί με τις κατάλληλες προφυλάξεις όπως δίδονται παρακάτω.
- α) **Κρατάτε σταθερά το ηλεκτρικό εργαλείο και τοποθετήστε το σώμα σας και τον βραχίονα έτσι ώστε να ανθίστανται στις δυνάμεις του οπισθολακτίσματος.** Πάντοτε χρησιμοποιείτε την βοηθητική λαβή, εάν παρέχεται για μέγιστο έλεγχο οπισθολακτίσματος ή αντίδρασης ροπής κατά το ξεκίνημα. Ο χειριστής μπορεί να ελέγχει τις αντιδράσεις ροπής ή δυνάμεις οπισθολακτίσματος, εάν έχουν ληφθεί οι κατάλληλες προφυλάξεις.
- β) **Ποτέ μη βάλετε το χέρι σας κοντά στο περιστρεφόμενο εξάρτημα.** Το εξάρτημα μπορεί να οπισθολακτίσει στο χέρι σας.
- γ) **Μη τοποθετήστε το σώμα σας στην περιοχή όπου το ηλεκτρικό εργαλείο θα κινηθεί εάν συμβεί οπισθολάκτισμα.** Το οπισθολάκτισμα θα οδηγήσει το εργαλείο σε διεύθυνση αντίθετη της κίνησης του τροχού στο σημείο εμπλοκής.
- δ) **Χρησιμοποιείτε πολύ προσοχή όταν εργάζεστε σε γωνίες, αιχμηρές άκρες κλπ. Αποφύγετε αναπηδήσεις και εμπλοκές του εξαρτήματος.** Γωνίες, αιχμηρές άκρες ή αναπηδήσεις έχουν τάση να προκαλούν εμπλοκή στο περιστρεφόμενο εξάρτημα και προκαλούν απώλεια ελέγχου και οπισθολάκτισμα.
- ε) **Μη προσαρμόζετε λάμα αλυσοπριονίου για ξυλογλυπτική ή λάμα πριονιού με δόντια.** Τέτοιες λάμες προκαλούν συχνό οπισθολάκτισμα και απώλεια ελέγχου.

**Προειδοποιήσεις ασφάλειας ειδικές για λειαντικές εργασίες:**

18. **Μη χρησιμοποιείτε υπερβολικά μεγάλο μέγεθος χαρτί λειαντικού δίσκου.** Ακολουθείτε τις συστάσεις του κατασκευαστή, όταν επιλέγετε χαρτί λειανσης. Μεγάλο χαρτί λειανσης που εξέχει από τον δίσκο λειανσης παρουσιάζει κίνδυνο σχισίματος και μπορεί να προκαλέσει εμπλοκή, σχισίμο δίσκου ή οπισθολάκτισμα.
19. **Ελέγχετε προσεκτικά την βάση υποστήριξης για ρωγμές, ζημιές ή παραμόρφωση πριν από την λειτουργία.** Αντικαταστήστε αμέσως βάσεις με ρωγμές, ζημιές ή παραμόρφωση.
20. **ΠΟΤΕ μη χρησιμοποιείτε το εργαλείο με λάμες για κοπή ξύλου ή άλλες πριονολάμες.** Τέτοιες λάμες όταν χρησιμοποιούνται σε ένα λειαντήρα συχνά προκαλούν λακτίσματα και απώλεια ελέγχου που οδηγούν σε προσωπικό τραυματισμό.

21. Κρατάτε το εργαλείο σταθερά.
22. Κρατάτε τα χέρια μακριά από περιστρεφόμενα μέρη.
23. Βεβαιώνετε ότι ο αποξεστικός δίσκος δεν έρχεται σε επαφή με το τεμάχιο εργασίας πριν ανάψετε τον διακόπτη.
24. Όταν λειότετε μεταλλικές επιφάνειες, προσέχετε για ιπτάμενους σπινθήρες. Κρατάτε το εργαλείο έτσι ώστε οι σπινθήρες να πετάγονται μακριά από σας και από άλλα πρόσωπα ή εύφλεκτα υλικά.
25. Μην αφήνετε το εργαλείο αναμμένο. Λειτουργείτε το εργαλείο μόνο όταν το κρατάτε στο χέρι.
26. Μην αγγίζετε το τεμάχιο εργασίας αμέσως μετά την λειτουργία. Μπορεί να είναι υπερβολικά καυτό και να προκαλέσει έγκαυμα.
27. Ελέγξτε ότι το τεμάχιο εργασίας είναι καλά υποστηριγμένο.
28. Έχετε υπόψη σας ότι ο τροχός συνεχίζει να περιστρέφεται αφού το εργαλείο έχει σβηστεί.
29. Αυτό το εργαλείο δεν είναι αδιάβροχο, γι αυτό μη χρησιμοποιείτε νερό στην επιφάνεια του εργαλείου.
30. Εξασερίσετε επαρκώς τον χώρο εργασίας σας όταν εκτελείτε λειαντικές εργασίες.
31. Η χρησιμοποίηση αυτού του εργαλείου για να λειότετε μερικά προϊόντα, χρώματα και ξύλα μπορεί να εκθέσουν τον χρήστη σε σκόνη που περιέχει επικίνδυνες ουσίες. Χρησιμοποιείτε κατάλληλη αναπνευστική προστασία.
32. Πάντοτε βεβαιώνετε ότι το εργαλείο είναι σβηστό και αποσυνδεδεμένο από το ρεύμα πριν εκτελέσετε οποιαδήποτε εργασία στο εργαλείο.
33. Εάν ο χώρος εργασίας είναι εξαιρετικά ζεστός και υγρός, ή πολύ άσχημα μολυσμένος από αγωγίμη σκόνη, χρησιμοποιείτε ένα βραχυκυκλωτή (30 mA) για να σιγουρέψετε την ασφάλεια του χειριστή.
34. Μη χρησιμοποιήσετε το εργαλείο σε οποιαδήποτε υλικά που περιέχουν άβεστο.
35. Μερικά υλικά περιέχουν χημικά που μπορεί να είναι τοξικά. Προσέχετε να μην εισπνεύσετε σκόνη και να μην κάνετε δερματική επαφή. Ακολουθείστε τα δεδομένα ασφάλειας του παροχέα υλικών.
36. Πάντοτε χρησιμοποιείτε τη σωστή μάσκα σκόνης / αναπνευστήρα για το υλικό και την εφαρμογή για την οποία εργάζεστε.
37. Βεβαιώστε ότι τα ανοίγματα εξερισμού διατηρούνται καθαρά όταν εργάζεστε σε συνθήκες σκόνης. Εάν γίνει απαραίτητο να καθαρίσετε τη σκόνη, πρώτα αποσυνδέστε το εργαλείο από την παροχή ρεύματος (χρησιμοποιείτε μη μεταλλικά αντικείμενα) και αποφύγετε ζημιές στα εσωτερικά μέρη.

## ΦΥΛΑΞΕΤΕ ΑΥΤΕΣ ΤΙΣ ΟΔΗΓΙΕΣ.

### ΠΕΡΙΓΡΑΦΗ ΛΕΙΤΟΥΡΓΙΑΣ

#### ΠΡΟΣΟΧΗ:

- Πάντοτε βεβαιώνετε ότι το εργαλείο είναι σβηστό και αποσυνδεδεμένο πριν ρυθμίσετε ή ελέγξετε κάποια λειτουργία στο εργαλείο.

### Εξάρτημα κλειδώματος αξονα (Εικ. 1)

#### ΠΡΟΣΕΛΟΠΟΣΗΝ:

- Ποτέ μην ενεργοποιείτε το εξάρτημα κλειδώματος αξονα όταν το αξόνιο κινείται. Το εργαλείο θα πάθει βλάβη.

Πιότε το εξάρτημα κλειδώματος αξονα για να εμποδίσετε την περιστροφή του αξονίου όταν τοποθετείτε ή αφαιρείτε εξαρτήματα.

#### Λειτουργία διακόπτη (Εικ. 2)

##### ΠΡΟΣΟΧΗ:

- Πριν συνδέσετε το εργαλείο στο ρεύμα, πάντοτε ελέγχετε να δείτε ότι η σκανδάλη διακόπτης ενεργοποιεί κανονικά και επιστρέφει στη θέση "OFF" όταν ελευθερώνεται.

Για να ξεκινήσει το εργαλείο, απλώς τραβήχτε τη σκανδάλη. Η ταχύτητα του μηχανήματος αυξάνεται αυξάνοντας τη πίεση στη σκανδάλη. Αφήστε τη σκανδάλη για να σταματήσει.

Για συνεχή λειτουργία, τραβήχτε την σκανδάλη διακόπτη και μετά σπρώχτε μέσα το κουμπί ασφάλισης.

Για να σταματήσει το εργαλείο από την κλειδωμένη θέση, τραβήχτε τη σκανδάλη πλήρως και μετά αφήστε τη.

#### Καντράν ρύθμισης ταχύτητας (Εικ. 3)

Η ταχύτητα περιστροφής μπορεί να αλλάξει γυρίζοντας το καντράν ρύθμισης ταχύτητας σε ένα δεδομένο αριθμό ρύθμισης από το 1 έως το 6 (6 την ώρα που η σκανδάλη διακόπτης έχει τραβηχθεί πλήρως).

Υψηλότερη ταχύτητα επιτυγχάνεται όταν το καντράν γυρισθεί προς την κατεύθυνση του νούμερου 6, και χαμηλότερη ταχύτητα επιτυγχάνεται όταν το καντράν γυρισθεί προς την κατεύθυνση του νούμερου 1.

Αναφερθείτε στον παρακάτω πίνακα για την σχέση μεταξύ της ρύθμισης στο καντράν και της κατά προσέγγιση περιστροφικής ταχύτητας.

Αριθμός	λειπτό <sup>-1</sup> (ΣΑΛ.)
1	1 500
2	1 700
3	2 000
4	2 500
5	3 300
6	4 000

#### ΠΡΟΣΟΧΗ

- Το καντράν ρύθμισης ταχύτητας μπορεί να ρυθμιστεί μεταξύ του 6 και του 1. Μην το πιέζετε να ξεπεράσει το 6 ή το 1, αλλιώς η λειτουργία ρύθμισης της ταχύτητας μπορεί να χαλάσει.
- Εάν το εργαλείο λειτουργεί συνέχεια σε χαμηλές ταχύτητες, ο κινητήρας του θα υπερφορτιστεί και θα υπερθερμανθεί.

#### Ηλεκτρονική λειτουργία

Τα εργαλεία που είναι εφωδιασμένα με ηλεκτρονική λειτουργία είναι εύκολα στον χειρισμό λόγω των ακολουθών χαρακτηριστικών.

## Συνεχής έλεγχος ταχύτητας

Δυνατότητα απόδοσης λεπτομερούς φινιρίσματος, διότι η περιστροφική ταχύτητα διατηρείται σταθερή ακόμη και υπό συνθήκες φορτίου.

Επιπρόσθετα, όταν το φορτίο στο εργαλείο υπερβαίνει τα επιτρεπτά επίπεδα, η ισχύς στον κινητήρα μειώνεται για να προστατευθεί ο κινητήρας από υπερθέρμανση. Όταν το φορτίο επανέλθει σε επιτρεπτά επίπεδα, το εργαλείο θα λειτουργήσει κανονικά.

## Χαρακτηριστικό απαλής εκκίνησης

Απαλή εκκίνηση λόγω εξουδετέρωσης αρχικού τινάγματος.

## ΣΥΝΑΡΜΟΛΟΓΗΣΗ

### ΠΡΟΣΟΧΗ:

- Πάντοτε βεβαιώνετε ότι το εργαλείο είναι σβηστό και αποσυνδεδεμένο πριν εκτελέσετε οποιαδήποτε εργασία στο εργαλείο.

### Τοποθέτηση πλάγιας λαβής (λαβή) (Εικ. 4 και 5)

#### ΠΡΟΣΟΧΗ:

- Πάντοτε βεβαιώνετε ότι η πλάγια λαβή έχει τοποθετηθεί με ασφάλεια πριν από την λειτουργία.

Αφαιρέστε μία από τις βίδες που ασφαλίζουν το περίβλημα μηχανισμού και το κάλυμμα κεφαλής.

### Εγκατάσταση ή αφαίρεση του αποξεστικού δίσκου (Εικ. 6 και 7)

#### ΠΑΡΑΤΗΡΗΣΗ:

- Χρησιμοποιείτε τα εξαρτήματα λείανσης που αναφέρονται στο εγχειρίδιο αυτό. Αυτά πρέπει να αγοράσουν ξεχωριστά.

Τοποθετήστε το ελαστικό υπόθεμα πάνω στον άξονα. Εφαρμόστε τον δίσκο στο ελαστικό υπόθεμα και βιδώστε το παξιμάδι ασφάλισης πάνω στον άξονα. Για να σφίξετε το παξιμάδι ασφάλισης, πατήστε την ασφάλεια της ατράκτου στερεά έτσι ώστε ο άξονας να μη μπορεί να περιστραφεί, μετά χρησιμοποιείστε το κλειδί κλειδώματος παξιμαδιών και σφίχτε με ασφάλεια δεξιόστροφα.

Για να αφαιρέσετε τον δίσκο, ακολουθείστε την διαδικασία εγκατάστασης αντίστροφα.

## ΛΕΙΤΟΥΡΓΙΑ

### ΠΡΟΕΙΔΟΠΟΙΗΣΗ:

- Δεν πρέπει ποτέ να εξασκείτε υπερβολική δύναμη στο εργαλείο. Το βάρος του εργαλείου εφαρμόζει αρκετή πίεση. Εξαναγκασμός και υπερβολική πίεση μπορεί να προκαλέσουν σπάσιμο του τροχού.

### ΠΡΟΣΟΧΗ:

- Ποτέ μην ανάψετε το εργαλείο όταν βρίσκεται σε επαφή με το αντικείμενο εργασίας, γιατί μπορεί να προκληθεί τραυματισμός του χρήστη.
- Ποτέ μη λειτουργείτε το εργαλείο χωρίς τον αποξεστικό δίσκο. Μπορεί να κάνετε σοβαρή ζημιά στο υπόθεμα.
- Πάντοτε φοράτε ματογυάλια ασφάλειας ή προστατευτική προσωπίδα κατά την λειτουργία.
- Μετά την λειτουργία, πάντοτε σβήνετε το εργαλείο και περιμένετε μέχρι να σταματήσει τελείως ο δίσκος πριν ακουμπήσετε το εργαλείο κάτω.

ΠΑΝΤΟΤΕ κρατάτε το εργαλείο σταθερά με το ένα χέρι στην πίσω λαβή και το άλλο στην πλευρική λαβή. Ανάψτε το εργαλείο και μετά εφαρμόστε τον αποξεστικό δίσκο στο αντικείμενο εργασίας.

Σε γενικές γραμμές, κρατάτε τον αποξεστικό δίσκο σε γωνία περίπου 15 μοιρών με την επιφάνεια του αντικειμένου εργασίας. (Εικ. 8)

Εφαρμόστε μόνον ελαφρά πίεση. Υπερβολική πίεση θα έχει ως αποτέλεσμα κακή απόδοση και πρόωρη φθορά του αποξεστικού δίσκου.

## ΣΥΝΤΗΡΗΣΗ

### ΠΡΟΣΟΧΗ:

- Πάντοτε βεβαιώνετε ότι το εργαλείο είναι σβηστό και αποσυνδεδεμένο από το ρεύμα πριν επιχειρήσετε να κάνετε επιθεώρηση ή συντήρηση.

Το εργαλείο και οι διοδοι αέρα αυτού πρέπει να διατηρούνται καθαρά. Καθαρίζετε τακτικά τις διοόδους αέρα του εργαλείου ή και όταν οι διοδοι αρχίζουν να βουλώνουν. (Εικ. 9)

### Αντικατάσταση καρβουνάκια (Εικ. 10 και 11)

Όταν το άκρο της μονωτικής ρητίνης μέσα στην ψήκτρα άνθρακα εκτεθεί σε επαφή με τον μεταγωγό, ο κινητήρας θα σβήσει αυτόματα. Όταν αυτό συμβεί, και οι δύο ψήκτρες άνθρακα πρέπει να αντικατασταθούν. Διατηρείτε τις ψήκτρες άνθρακα καθαρές και ελεύθερες να γλιστρούν μέσα στις θήκες. Και οι δύο ψήκτρες άνθρακα πρέπει να αντικαθιστούνται ταυτόχρονα. Χρησιμοποιείτε μόνο δύο ίδιες ψήκτρες άνθρακα.

Χρησιμοποιείτε ένα κατσαβίδι για να αφαιρέσετε τα καπάκια των θηκών των ψηκτρών. Αφαιρέστε τις φθαρμένες ψήκτρες, βάλτε τις νέες και ασφαλίστε τα καπάκια των θηκών των ψηκτρών.

Για διατήρηση της ΑΣΦΑΛΕΙΑΣ και ΑΞΙΟΠΙΣΤΙΑΣ του προϊόντος, επισκευές, οποιαδήποτε συντήρηση ή ρυθμίσεις πρέπει να εκτελούνται από Κέντρα Εξυπηρέτησης Εξουσιοδοτημένα από την Μάκιτα, με χρήση πάντοτε ανταλλακτικών Μάκιτα.

## ΕΞΑΡΤΗΜΑΤΑ

### ΠΡΟΣΟΧΗ:

- Αυτά τα εξαρτήματα ή προσαρτήματα συνιστώνται για χρήση με το εργαλείο Μάκιτα που περιγράφηκε στις οδηγίες αυτές. Η χρήση οτιδήποτε άλλων εξαρτημάτων ή προσαρτημάτων μπορεί να προκαλέσει κίνδυνο τραυματισμού σε άτομα. Χρησιμοποιείτε τα εξαρτήματα ή προσαρτήματα μόνο για την χρήση που προορίζονται.

Εάν χρειάζεστε οποιαδήποτε βοήθεια για περισσότερες πληροφορίες σε σχέση με αυτά τα εξαρτήματα, απoτανθείτε στο τοπικό σας κέντρο εξυπηρέτησης Μάκιτα.

- Ελαστικό επίθεμα
- Αποξεστικοί δίσκοι
- Παξιμάδι ασφάλισης
- Κλειδί παξιμαδιού ασφάλισης
- Πλάγια λαβή (λαβή)

**Μόνο για χώρες της Ευρώπης****Θόρυβος**

Το τυπικό Α επίπεδο μετρημένου θορύβου καθορίζεται σύμφωνα με το EN60745:

Επίπεδο πίεσης θορύβου ( $L_{pA}$ ): 88 dB(A)

Επίπεδο δύναμης ήχου ( $L_{WA}$ ): 99 dB (A)

Αβεβαιότητα (K): 3 dB (A)

**Φοράτε ωτοασπίδες.**

ENG228-4

**Κραδασμός**

Η ολική τιμή δόνησης (άθροισμα τρι-αξονικού διανύσματος) καθορίζεται σύμφωνα με το EN60745-2-3:

Είδος εργασίας: δίσκος λείανσης

Εκπομπή δόνησης ( $a_{h, sg}$ ): 2,5  $m/s^2$  ή λιγότερο

Αβεβαιότητα (K): 1,5  $m/s^2$

Εάν το εργαλείο χρησιμοποιείται για άλλες εφαρμογές, το εύρος τιμών των κραδασμών ενδέχεται να είναι διαφορετικό.

ENG901-1

- Η δηλωμένη τιμή εκπομπής κραδασμών έχει μετρηθεί σύμφωνα με την πρότυπη μέθοδο δοκιμής και μπορεί να χρησιμοποιηθεί για τη σύγκριση ενός εργαλείου με άλλο.
- Η δηλωμένη τιμή εκπομπής κραδασμών μπορεί να χρησιμοποιηθεί και στην προκαταρκτική αξιολόγηση έκθεσης.

**ΠΡΟΕΙΔΟΠΟΙΗΣΗ:**

- Η εκπομπή κραδασμών κατά τη χρήση του ηλεκτρικού εργαλείου σε πραγματικές συνθήκες μπορεί να διαφέρει από τη δηλωμένη τιμή εκπομπής ανάλογα με τον τρόπο χρήσης του εργαλείου.
- Φροντίστε να λάβετε τα κατάλληλα μέτρα προστασίας του χειριστή βάσει υπολογισμού της έκθεσης σε πραγματικές συνθήκες χρήσης (λαμβάνοντας υπόψη όλες τις συνιστώσες του κύκλου λειτουργίας όπως τους χρόνους που το εργαλείο είναι εκτός λειτουργίας και όταν βρίσκεται σε αδρανή λειτουργία πέραν του χρόνου ενεργοποίησης).

**Δήλωση Συμμόρφωσης ΕΚ**

**Η Makita Corporation, ως ο υπεύθυνος κατασκευαστής, δηλώνει ότι το/τα ακόλουθο(α) μηχάνημα(τα) της Makita:**

Χαρακτηρισμός μηχανήματος: Γωνιακός λειαντής

Αρ. μοντέλου/ Τύπος: SA7000C

είναι εν σειρά παραγωγή και

**συμμορφώνονται με τις ακόλουθες Ευρωπαϊκές Οδηγίες:**

98/37/ΕΚ έως 28 Δεκεμβρίου 2009 και  
ακολούθως με την 2006/42/ΕΚ από 29  
Δεκεμβρίου 2009

και κατασκευάζονται σύμφωνα με τα ακόλουθα πρότυπα ή έγγραφα τυποποίησης:

EN60745

Η τεχνική τεκμηρίωση φυλάσσεται από τον εξουσιοδοτημένο εκπρόσωπό μας στην Ευρώπη, δηλαδή τη

Makita International Europe Ltd.

Michigan Drive, Tongwell,

Milton Keynes, MK15 8JD, England (Αγγλία)

30 Ιανουαρίου 2009



Tomoyasu Kato  
Διευθυντής

Makita Corporation  
3-11-8, Sumiyoshi-cho,  
Anjo, Aichi, JAPAN



**Makita Corporation**

Anjo, Aichi, Japan

884531B992