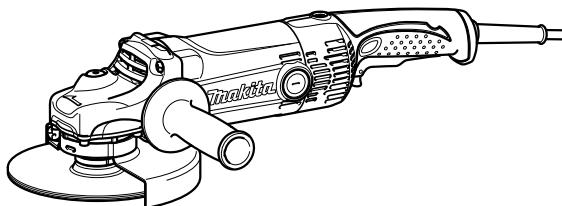




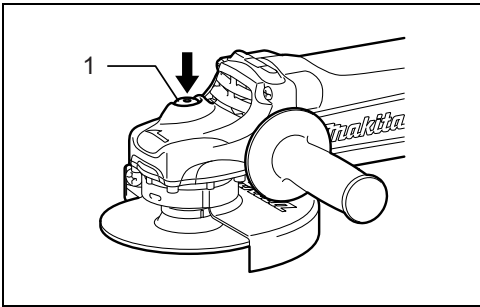
| | | |
|-----------|--------------------------------|--------------------------------|
| GB | Angle Grinder | Instruction manual |
| F | Meuleuse d'angle | Manuel d'instructions |
| D | Winkelschleifer | Betriebsanleitung |
| I | Smerigliatrice angolare | Istruzioni per l'uso |
| NL | Haakse slijpmachine | Gebruiksaanwijzing |
| E | Esmeriladora angular | Manual de instrucciones |
| P | Esmerilhadeira angular | Manual de instruções |
| DK | Vinkelsliber | Brugsanvisning |
| GR | Γωνιακός τροχός | Οδηγίες χρήσης |

GA7050
GA7050R
GA9050
GA9050R



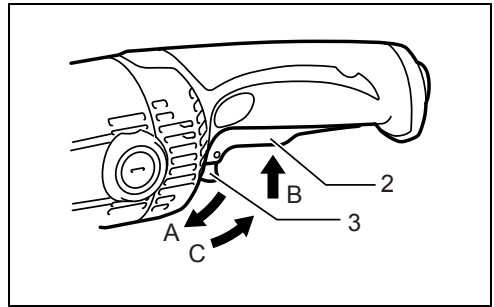
010638





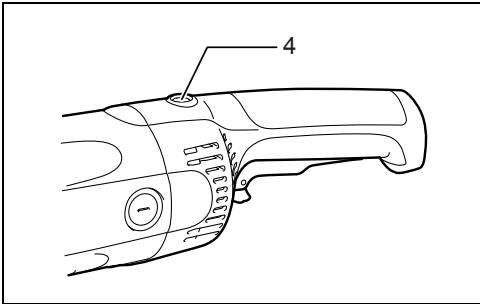
1

010639



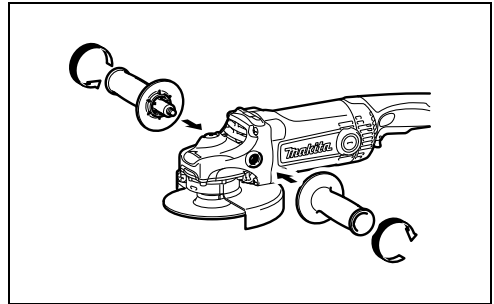
2

010640



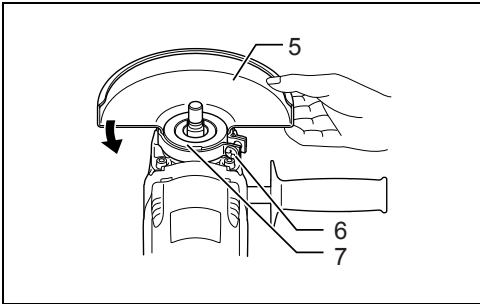
3

010864



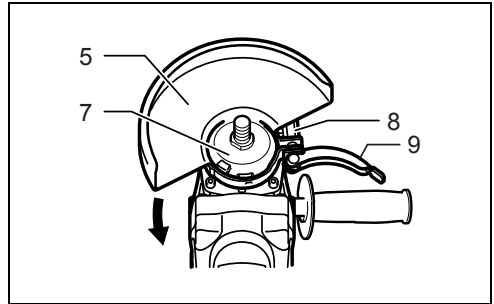
4

010642



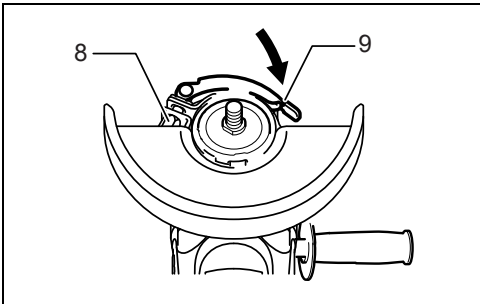
5

006736



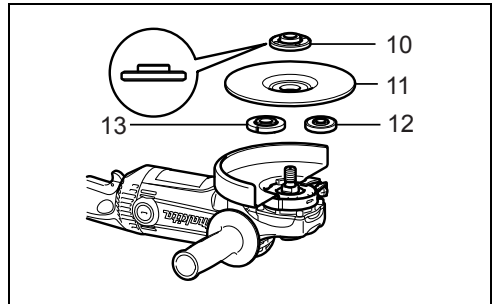
6

010644



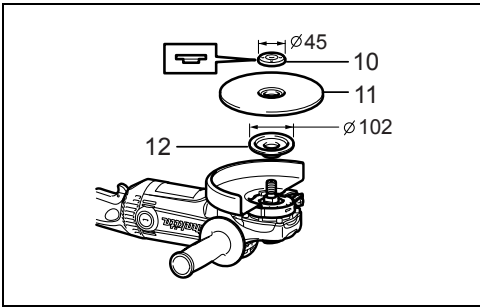
7

010645



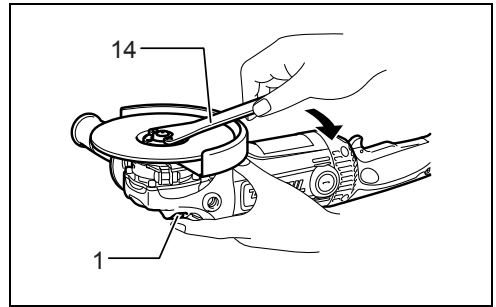
8

010661



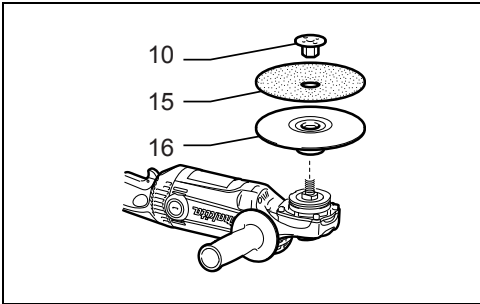
9

010654



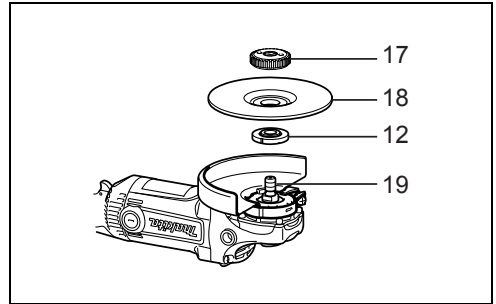
10

010647



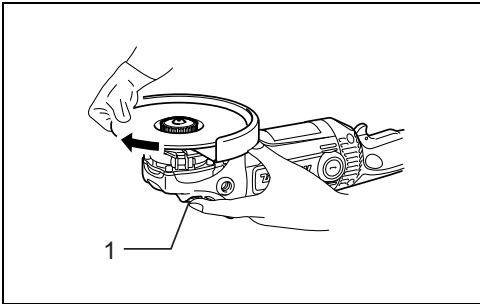
11

010658



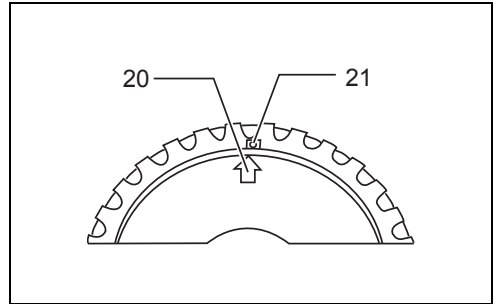
12

010844



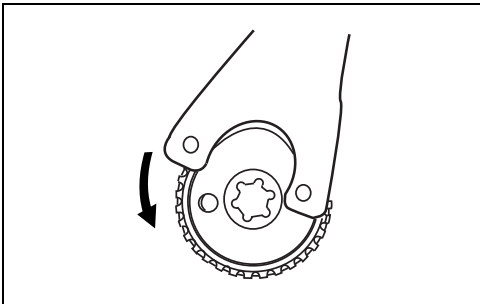
13

010845



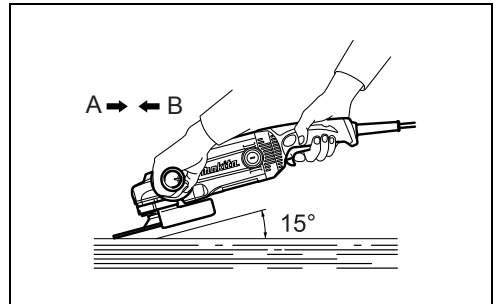
14

010846



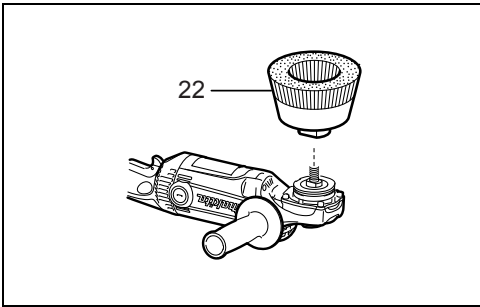
15

010863



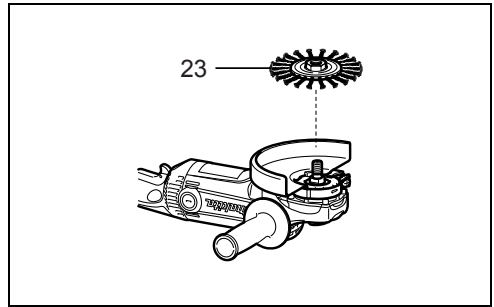
16

010848



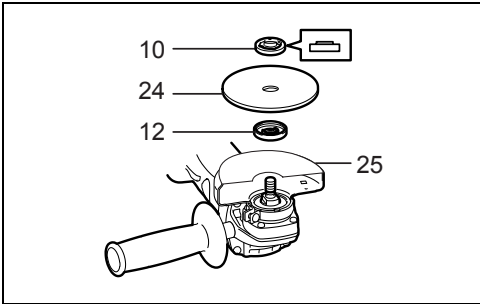
17

010862



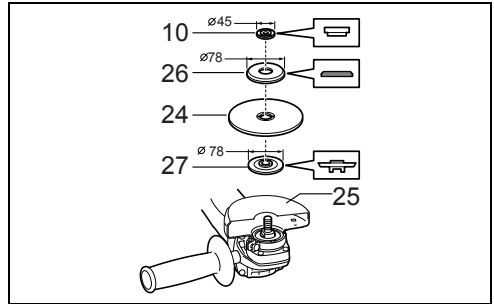
18

010659



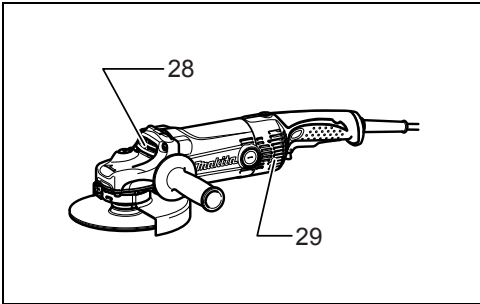
19

010828



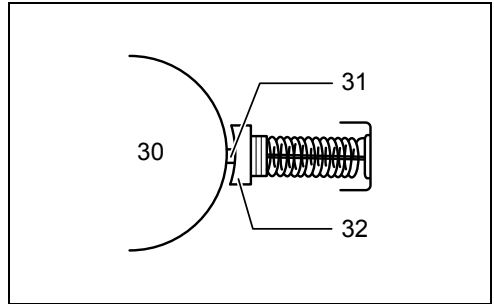
20

010946



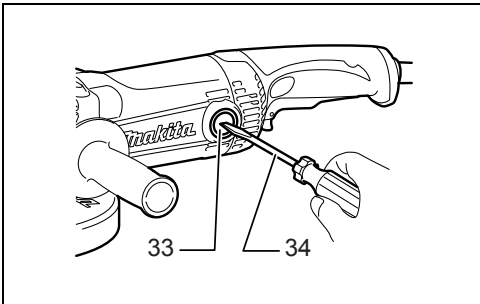
21

010653



22

001146



23

010649

ENGLISH (Original instructions)

Explanation of general view

- | | | |
|----------------------------|--|--|
| 1. Shaft lock | 14. Lock nut wrench | 25. Wheel guard for abrasive cut-off wheel/diamond wheel |
| 2. Switch trigger | 15. Abrasive disc | 26. Outer flange 78 |
| 3. Lock lever | 16. Rubber pad | 27. Inner flange 78 |
| 4. Indication lamp | 17. Ezynut | 28. Exhaust vent |
| 5. Wheel guard | 18. Abrasive wheel/Multi-disc | 29. Inhalation vent |
| 6. Screw | 19. Spindle | 30. Commutator |
| 7. Bearing box | 20. Arrow | 31. Insulating tip |
| 8. Nut | 21. Notch | 32. Carbon brush |
| 9. Lever | 22. Wire cup brush | 33. Brush holder cap |
| 10. Lock nut | 23. Wire wheel brush | 34. Screwdriver |
| 11. Depressed center wheel | 24. Abrasive cut-off wheel/diamond wheel | |
| 12. Inner flange | | |
| 13. Super flange | | |

SPECIFICATIONS

| Model | GA7050 | GA7050R | GA9050 | GA9050R |
|---|--------------------------------|----------------------------|----------------------------|----------------------------|
| Depressed center wheel diameter | 180 mm | 180 mm | 230 mm | 230 mm |
| Max. wheel thickness | 6.5 mm | 6.5 mm | 6.5 mm | 6.5 mm |
| Spindle thread | M14 or 5/8" (country specific) | | | |
| No load speed (n_0)/ Rated speed (n) | 8,500 (min ⁻¹) | 8,500 (min ⁻¹) | 6,600 (min ⁻¹) | 6,600 (min ⁻¹) |
| Overall length | 432 mm | 455 mm | 432 mm | 455 mm |
| Net weight | 4.5 kg | 4.6 kg | 4.7 kg | 4.8 kg |
| Safety class | II/II | | | |

- Due to our continuing program of research and development, the specifications herein are subject to change without notice.
- Specifications may differ from country to country.
- Weight according to EPTA-Procedure 01/2003

Symbols

END202-8

The following show the symbols used for the equipment. Be sure that you understand their meaning before use.



..... Read instruction manual.



..... DOUBLE INSULATION



..... Wear safety glasses.



..... Only for EU countries
Do not dispose of electric equipment together with household waste material!
In observance of the European Directive, on Waste Electric and Electronic Equipment and its implementation in accordance with national law, electric equipment that have reached the end of their life must be collected separately and returned to an environmentally compatible recycling facility.

Intended use

ENE048-1

The tool is intended for grinding, sanding and cutting of metal and stone materials without the use of water.

Power supply

ENF002-2

The tool should be connected only to a power supply of the same voltage as indicated on the nameplate, and can only be operated on single-phase AC supply. They are double-insulated and can, therefore, also be used from sockets without earth wire.

For model GA7050, GA9050

ENF100-1

For public low-voltage distribution systems of between 220 V and 250 V.

Switching operations of electric apparatus cause voltage fluctuations. The operation of this device under unfavorable mains conditions can have adverse effects to the operation of other equipment. With a mains impedance equal or less than 0.22 Ohms it can be presumed that there will be no negative effects. The mains socket used for this device must be protected with a fuse or protective circuit breaker having slow tripping characteristics.

General Power Tool Safety Warnings

GEA010-1

⚠ WARNING Read all safety warnings and all instructions. Failure to follow the warnings and instructions may result in electric shock, fire and/or serious injury.

Save all warnings and instructions for future reference.

GRINDER SAFETY WARNINGS

GEB033-7

Safety Warnings Common for Grinding, Sanding, Wire Brushing, or Abrasive Cutting-Off Operations:

- This power tool is intended to function as a grinder, sander, wire brush or cut-off tool. Read all safety warnings, instructions, illustrations and specifications provided with this power tool.** Failure to follow all instructions listed below may result in electric shock, fire and/or serious injury.
- Operations such as polishing are not recommended to be performed with this power tool.** Operations for which the power tool was not designed may create a hazard and cause personal injury.
- Do not use accessories which are not specifically designed and recommended by the tool manufacturer.** Just because the accessory can be attached to your power tool, it does not assure safe operation.
- The rated speed of the accessory must be at least equal to the maximum speed marked on the power tool.** Accessories running faster than their rated speed can break and fly apart.
- The outside diameter and the thickness of your accessory must be within the capacity rating of your power tool.** Incorrectly sized accessories cannot be adequately guarded or controlled.
- Threaded mounting of accessories must match the grinder spindle thread. For accessories mounted by flanges, the arbour hole of the accessory must fit the locating diameter of the flange.** Accessories that do not match the mounting hardware of the power tool will run out of balance, vibrate excessively and may cause loss of control.
- Do not use a damaged accessory. Before each use inspect the accessory such as abrasive wheels for chips and cracks, backing pad for cracks, tear or excess wear, wire brush for loose or cracked wires. If power tool or accessory is dropped, inspect for damage or install an undamaged accessory. After inspecting and installing an accessory, position yourself and bystanders away from the plane of the rotating accessory and run the power tool at maximum no-load speed for one minute.** Damaged accessories will normally break apart during this test time.
- Wear personal protective equipment. Depending on application, use face shield, safety goggles or safety glasses. As appropriate, wear dust mask, hearing protectors, gloves and workshop apron capable of stopping small abrasive or workpiece**

fragments. The eye protection must be capable of stopping flying debris generated by various operations. The dust mask or respirator must be capable of filtering particles generated by your operation. Prolonged exposure to high intensity noise may cause hearing loss.

- Keep bystanders a safe distance away from work area. Anyone entering the work area must wear personal protective equipment.** Fragments of workpiece or of a broken accessory may fly away and cause injury beyond immediate area of operation.
- Hold the power tool by insulated gripping surfaces only, when performing an operation where the cutting accessory may contact hidden wiring or its own cord.** Cutting accessory contacting a "live" wire may make exposed metal parts of the power tool "live" and could give the operator an electric shock.
- Position the cord clear of the spinning accessory.** If you lose control, the cord may be cut or snagged and your hand or arm may be pulled into the spinning accessory.
- Never lay the power tool down until the accessory has come to a complete stop.** The spinning accessory may grab the surface and pull the power tool out of your control.
- Do not run the power tool while carrying it at your side.** Accidental contact with the spinning accessory could snag your clothing, pulling the accessory into your body.
- Regularly clean the power tool's air vents.** The motor's fan will draw the dust inside the housing and excessive accumulation of powdered metal may cause electrical hazards.
- Do not operate the power tool near flammable materials.** Sparks could ignite these materials.
- Do not use accessories that require liquid coolants.** Using water or other liquid coolants may result in electrocution or shock.

Kickback and Related Warnings

Kickback is a sudden reaction to a pinched or snagged rotating wheel, backing pad, brush or any other accessory. Pinching or snagging causes rapid stalling of the rotating accessory which in turn causes the uncontrolled power tool to be forced in the direction opposite of the accessory's rotation at the point of the binding.

For example, if an abrasive wheel is snagged or pinched by the workpiece, the edge of the wheel that is entering into the pinch point can dig into the surface of the material causing the wheel to climb out or kick out. The wheel may either jump toward or away from the operator, depending on direction of the wheel's movement at the point of pinching. Abrasive wheels may also break under these conditions.

Kickback is the result of power tool misuse and/or incorrect operating procedures or conditions and can be avoided by taking proper precautions as given below.

- Maintain a firm grip on the power tool and position your body and arm to allow you to resist kickback forces. Always use auxiliary handle, if provided, for maximum control over kickback or torque reaction during start-up.** The operator can control torque reactions or kickback forces, if proper precautions are taken.

- b) **Never place your hand near the rotating accessory.** Accessory may kickback over your hand.
- c) **Do not position your body in the area where power tool will move if kickback occurs.** Kickback will propel the tool in direction opposite to the wheel's movement at the point of snagging.
- d) **Use special care when working corners, sharp edges etc. Avoid bouncing and snagging the accessory.** Corners, sharp edges or bouncing have a tendency to snag the rotating accessory and cause loss of control or kickback.
- e) **Do not attach a saw chain woodcarving blade or toothed saw blade.** Such blades create frequent kickback and loss of control.

Safety Warnings Specific for Grinding and Abrasive Cutting-Off Operations:

- a) **Use only wheel types that are recommended for your power tool and the specific guard designed for the selected wheel.** Wheels for which the power tool was not designed cannot be adequately guarded and are unsafe.
- b) **The grinding surface of centre depressed wheels must be mounted below the plane of the guard lip.** An improperly mounted wheel that projects through the plane of the guard lip cannot be adequately protected.
- c) **The guard must be securely attached to the power tool and positioned for maximum safety, so the least amount of wheel is exposed towards the operator.** The guard helps to protect the operator from broken wheel fragments, accidental contact with wheel and sparks that could ignite clothing.
- d) **Wheels must be used only for recommended applications. For example: do not grind with the side of cut-off wheel.** Abrasive cut-off wheels are intended for peripheral grinding, side forces applied to these wheels may cause them to shatter.
- e) **Always use undamaged wheel flanges that are of correct size and shape for your selected wheel.** Proper wheel flanges support the wheel thus reducing the possibility of wheel breakage. Flanges for cut-off wheels may be different from grinding wheel flanges.
- f) **Do not use worn down wheels from larger power tools.** Wheel intended for larger power tool is not suitable for the higher speed of a smaller tool and may burst.

Additional Safety Warnings Specific for Abrasive Cutting-Off Operations:

- a) **Do not "jam" the cut-off wheel or apply excessive pressure. Do not attempt to make an excessive depth of cut.** Overstressing the wheel increases the loading and susceptibility to twisting or binding of the wheel in the cut and the possibility of kickback or wheel breakage.
- b) **Do not position your body in line with and behind the rotating wheel.** When the wheel, at the point of operation, is moving away from your body, the possible kickback may propel the spinning wheel and the power tool directly at you.
- c) **When wheel is binding or when interrupting a cut for any reason, switch off the power tool and hold the power tool motionless until the wheel comes to a complete stop. Never attempt to remove the cut-off wheel from the cut while the**

wheel is in motion otherwise kickback may occur. Investigate and take corrective action to eliminate the cause of wheel binding.

- d) **Do not restart the cutting operation in the workpiece. Let the wheel reach full speed and carefully re-enter the cut.** The wheel may bind, walk up or kickback if the power tool is restarted in the workpiece.
- e) **Support panels or any oversized workpiece to minimize the risk of wheel pinching and kickback.** Large workpieces tend to sag under their own weight. Supports must be placed under the workpiece near the line of cut and near the edge of the workpiece on both sides of the wheel.
- f) **Use extra caution when making a "pocket cut" into existing walls or other blind areas.** The protruding wheel may cut gas or water pipes, electrical wiring or objects that can cause kickback.

Safety Warnings Specific for Sanding Operations:

- a) **Do not use excessively oversized sanding disc paper. Follow manufacturers recommendations, when selecting sanding paper.** Larger sanding paper extending beyond the sanding pad presents a laceration hazard and may cause snagging, tearing of the disc or kickback.

Safety Warnings Specific for Wire Brushing Operations:

- a) **Be aware that wire bristles are thrown by the brush even during ordinary operation. Do not overstress the wires by applying excessive load to the brush.** The wire bristles can easily penetrate light clothing and/or skin.
- b) **If the use of a guard is recommended for wire brushing, do not allow interference of the wire wheel or brush with the guard.** Wire wheel or brush may expand in diameter due to work load and centrifugal forces.

Additional Safety Warnings:

17. **When using depressed centre grinding wheels, be sure to use only fiberglass-reinforced wheels.**
18. **NEVER USE Stone Cup type wheels with this grinder.** This grinder is not designed for these types of wheels and the use of such a product may result in serious personal injury.
19. **Be careful not to damage the spindle, the flange (especially the installing surface) or the lock nut.** Damage to these parts could result in wheel breakage.
20. **Make sure the wheel is not contacting the workpiece before the switch is turned on.**
21. **Before using the tool on an actual workpiece, let it run for a while. Watch for vibration or wobbling that could indicate poor installation or a poorly balanced wheel.**
22. **Use the specified surface of the wheel to perform the grinding.**
23. **Do not leave the tool running. Operate the tool only when hand-held.**
24. **Do not touch the workpiece immediately after operation; it may be extremely hot and could burn your skin.**
25. **Observe the instructions of the manufacturer for correct mounting and use of wheels. Handle and store wheels with care.**

26. Do not use separate reducing bushings or adaptors to adapt large hole abrasive wheels.
27. Use only flanges specified for this tool.
28. For tools intended to be fitted with threaded hole wheel, ensure that the thread in the wheel is long enough to accept the spindle length.
29. Check that the workpiece is properly supported.
30. Pay attention that the wheel continues to rotate after the tool is switched off.
31. If working place is extremely hot and humid, or badly polluted by conductive dust, use a short-circuit breaker (30 mA) to assure operator safety.
32. Do not use the tool on any materials containing asbestos.
33. When use cut-off wheel, always work with the dust collecting wheel guard required by domestic regulation.
34. Cutting discs must not be subjected to any lateral pressure.

SAVE THESE INSTRUCTIONS.

⚠ WARNING:
DO NOT let comfort or familiarity with product (gained from repeated use) replace strict adherence to safety rules for the subject product. MISUSE or failure to follow the safety rules stated in this instruction manual may cause serious personal injury.

FUNCTIONAL DESCRIPTION

⚠ CAUTION:

- Always be sure that the tool is switched off and unplugged before adjusting or checking function on the tool.

Shaft lock

⚠ CAUTION:

- Never actuate the shaft lock when the spindle is moving. The tool may be damaged. (Fig. 1)

Press the shaft lock to prevent spindle rotation when installing or removing accessories.

Switch action

⚠ CAUTION:

- Before plugging in the tool, always check to see that the switch trigger actuates properly and returns to the "OFF" position when released.
- Switch can be locked in "ON" position for ease of operator comfort during extended use. Apply caution when locking tool in "ON" position and maintain firm grasp on tool. (Fig. 2)

For tool with the lock-on switch

To start the tool, simply pull the switch trigger (in the B direction). Release the switch trigger to stop. For continuous operation, pull the switch trigger (in the B direction) and then push in the lock lever (in the A direction). To stop the tool from the locked position, pull the switch trigger fully (in the B direction), then release it.

For tool with the lock-off switch

To prevent the switch trigger from accidentally pulled, a lock lever is provided.

To start the tool, push in the lock lever (in the A direction) and then pull the switch trigger (in the B direction). Release the switch trigger to stop.

For tool with the lock on and lock-off switch

To prevent the switch trigger from accidentally pulled, a lock lever is provided.

To start the tool, push in the lock lever (in the A direction) and then pull the switch trigger (in the B direction). Release the switch trigger to stop.

For continuous operation, push in the lock lever (in the A direction), pull the switch trigger (in the B direction) and then pull the lock lever (in the C direction).

To stop the tool from the locked position, pull the switch trigger fully (in the B direction), then release it.

Indication lamp (For model GA7050R/GA9050R) (Fig. 3)

The indication lamp lights up green when the tool is plugged. If the indication lamp does not light up, the mains cord or the controller may be defective. The indication lamp is lit but the tool does not start even if the tool is switched on, the carbon brushes may be worn out, or the controller, the motor or the ON/OFF switch may be defective.

Unintentional restart proof

Even locking lever keeping the switch trigger depressed (Lock-on position) does not allow the tool to restart even when the tool is plugged.

At this time, the indication lamp flickers red and shows the unintentional restart proof device is on function.

To cancel the unintentional restart proof, pull the switch trigger fully, then release it.

Soft start feature

These models begin to run slowly when they are turned on. This soft start feature assures smoother operation.

ASSEMBLY

⚠ CAUTION:

- Always be sure that the tool is switched off and unplugged before carrying out any work on the tool.

Installing side grip (handle)

⚠ CAUTION:

- Always be sure that the side grip is installed securely before operation. (Fig. 4)

Screw the side grip securely on the position of the tool as shown in the figure.

Installing or removing wheel guard (For depressed center wheel, multi disc, wire wheel brush/abrasive cut-off wheel, diamond wheel)

⚠ WARNING:

- When using a depressed center grinding wheel/Multi-disc, flex wheel or wire wheel brush, the wheel guard must be fitted on the tool so that the closed side of the guard always points toward the operator.
- When using an abrasive cut-off/diamond wheel, be sure to use only the special wheel guard designed for use with cut-off wheels. (In European countries, when

using a diamond wheel, the ordinary guard can be reused.)

For tool with locking screw type wheel guard (Fig. 5)

Mount the wheel guard with the protrusion on the wheel guard band aligned with the notch on the bearing box. Then rotate the wheel guard around 180 degrees counterclockwise. Be sure to tighten the screw securely. To remove wheel guard, follow the installation procedure in reverse.

For tool with clamp lever type wheel guard (Fig. 6 & 7)

Loosen the lever on the wheel guard. Mount the wheel guard with the protrusion on the wheel guard band aligned with the notch on the bearing box. Then rotate the wheel guard around to the position shown in the figure. Tighten the lever to fasten the wheel guard. If the lever is too tight or too loose to fasten the wheel guard, loosen or tighten the nut to adjust the tightening of the wheel guard band. To remove wheel guard, follow the installation procedure in reverse.

Installing or removing depressed center grinding wheel/Multi-disc (optional accessory)

WARNING:

- Always use supplied guard when depressed center grinding wheel/Multi-disc is on tool. Wheel can shatter during use and guard helps to reduce chances of personal injury. (Fig. 8)

Mount the inner flange onto the spindle. Fit the wheel/disc on the inner flange and screw the lock nut onto the spindle.

WARNING:

- Never use a more than 6.5 mm thick grinding wheel.

Super flange

Models with the letter F are standard-equipped with a super flange. Only 1/3 of efforts needed to undo lock nut, compared with conventional type.

NOTE:

- Only for tools with M14 spindle thread

For Australia and New Zealand (Fig. 9)

Mount the inner flange onto the spindle. Fit the wheel/disc on the inner flange and screw the lock nut with its protrusion facing downward (facing toward the wheel). To tighten the lock nut, press the shaft lock firmly so that the spindle cannot revolve, then use the lock nut wrench and securely tighten clockwise. (Fig. 10)

To remove the wheel, follow the installation procedure in reverse.

Installing or removing abrasive disc (optional accessory)

NOTE:

- Use sander accessories specified in this manual.

These must be purchased separately. (Fig. 11)

Mount the rubber pad onto the spindle. Fit the disc on the rubber pad and screw the lock nut onto the spindle. To tighten the lock nut, press the shaft lock firmly so that the spindle cannot revolve, then use the lock nut wrench and securely tighten clockwise.

To remove the disc, follow the installation procedure in reverse.

Installing or removing Ezynut (optional accessory)

CAUTION:

- Do not use Ezynut with Super Flange or angle grinder with "F" on the end of the model No. Those flanges are so thick that the entire thread cannot be retained by the spindle. (Fig. 12)

Mount inner flange, abrasive wheel/Multi-disc and Ezynut onto the spindle so that Makita Logo on Ezynut faces outside. (Fig. 13)

Press shaft lock firmly and tighten Ezynut by turning the abrasive wheel/Multi-disc clockwise as far as it turns. Turn the outside ring of Ezynut counterclockwise to loosen. (Fig. 14 & 15)

NOTE:

- Ezynut can be loosened by hand as long as the arrow points the notch. Otherwise a lock nut wrench is required to loosen it. Insert one pin of the wrench into a hole and turn Ezynut counterclockwise.
- Only for tools with M14 spindle thread

OPERATION

WARNING:

- It should never be necessary to force the tool. The weight of the tool applies adequate pressure. Forcing and excessive pressure could cause dangerous wheel breakage.
- ALWAYS replace wheel if tool is dropped while grinding.
- NEVER bang or hit grinding disc or wheel onto work.
- Avoid bouncing and snagging the wheel, especially when working corners, sharp edges etc. This can cause loss of control and kickback.
- NEVER use tool with wood cutting blades and other sawblades. Such blades when used on a grinder frequently kick and cause loss of control leading to personal injury.

CAUTION:

- Never switch on the tool when it is in contact with the workpiece, it may cause an injury to operator.
- Always wear safety goggles or a face shield during operation.
- After operation, always switch off the tool and wait until the wheel has come to a complete stop before putting the tool down.

Grinding and sanding operation (Fig. 16)

ALWAYS hold the tool firmly with one hand on rear handle and the other on the side handle. Turn the tool on and then apply the wheel or disc to the workpiece.

In general, keep the edge of the wheel or disc at an angle of about 15 degrees to the workpiece surface.

During the break-in period with a new wheel, do not work the grinder in the B direction or it will cut into the workpiece. Once the edge of the wheel has been rounded off by use, the wheel may be worked in both A and B direction.

Operation with wire cup brush (optional accessory)

CAUTION:

- Check operation of brush by running tool with no load, insuring that no one is in front of or in line with brush.
- Do not use brush that is damaged, or which is out of balance. Use of damaged brush could increase potential for injury from contact with broken brush wires. (Fig. 17)

Unplug tool and place it upside down allowing easy access to spindle. Remove any accessories on spindle. Mount wire cup brush onto spindle and tighten with supplied wrench. When using brush, avoid applying too much pressure which causes over bending of wires, leading to premature breakage.

Operation with wire wheel brush (optional accessory)

CAUTION:

- Check operation of wire wheel brush by running tool with no load, insuring that no one is in front of or in line with the wire wheel brush.
- Do not use wire wheel brush that is damaged, or which is out of balance. Use of damaged wire wheel brush could increase potential for injury from contact with broken wires.
- ALWAYS use guard with wire wheel brushes, assuring diameter of wheel fits inside guard. Wheel can shatter during use and guard helps to reduce chances of personal injury. (Fig. 18)

Unplug tool and place it upside down allowing easy access to spindle. Remove any accessories on spindle. Thread wire wheel brush onto spindle and tighten with the wrenches.

When using wire wheel brush, avoid applying too much pressure which causes over bending of wires, leading to premature breakage.

Operation with abrasive cut-off/diamond wheel (optional accessory)

WARNING:

- When using an abrasive cut-off/diamond wheel, be sure to use only the special wheel guard designed for use with cut-off wheels. (In European countries, when using a diamond wheel, the ordinary guard can be used.)
- NEVER use cut-off wheel for side grinding.
- Do not "jam" the wheel or apply excessive pressure. Do not attempt to make an excessive depth of cut. Overstressing the wheel increases the loading and susceptibility to twisting or binding of the wheel in the cut and the possibility of kickback, wheel breakage and overheating of the motor may occur.
- Do not start the cutting operation in the workpiece. Let the wheel reach full speed and carefully enter into the cut moving the tool forward over the workpiece surface. The wheel may bind, walk up or kickback if the power tool is started in the workpiece.
- During cutting operations, never change the angle of the wheel. Placing side pressure on the cut-off wheel (as in grinding) will cause the wheel to crack and break, causing serious personal injury.

- A diamond wheel shall be operated perpendicular to the material being cut.

Mount the inner flange onto the spindle. Fit the wheel/disc on the inner flange and screw the lock nut onto the spindle. (Fig. 19)

When installing a diamond wheel or a abrasive cut-off wheel with its 7mm or more thick wheel body, mount the lock nut with its pilot circular part (protrusion) for wheel bore facing the wheel.

For Australia and New Zealand

Installing or removing abrasive cut-off wheel/diamond wheel (optional accessory) (Fig. 20)

MAINTENANCE

CAUTION:

- Always be sure that the tool is switched off and unplugged before attempting to perform inspection or maintenance.
- Never use gasoline, benzine, thinner, alcohol or the like. Discoloration, deformation or cracks may result. The tool and its air vents have to be kept clean. Regularly clean the tool's air vents or whenever the vents start to become obstructed. (Fig. 21)

Replacing carbon brushes (Fig. 22)

When the resin insulating tip inside the carbon brush is exposed to contact the commutator, it will automatically shut off the motor. When this occurs, both carbon brushes should be replaced. Keep the carbon brushes clean and free to slip in the holders. Both carbon brushes should be replaced at the same time. Use only identical carbon brushes.

Use a screwdriver to remove the brush holder caps. Take out the worn carbon brushes, insert the new ones and secure the brush holder caps. (Fig. 23)

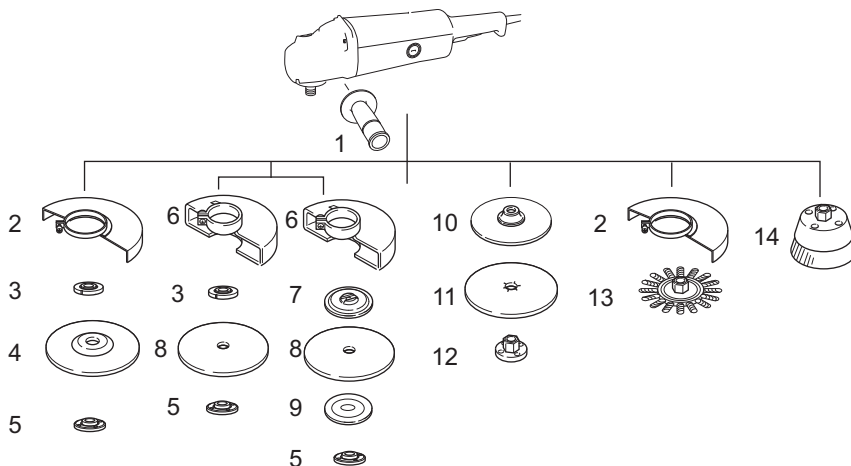
To maintain product SAFETY and RELIABILITY, repairs, any other maintenance or adjustment should be performed by Makita Authorized Service Centers, always using Makita replacement parts.

OPTIONAL ACCESSORIES

CAUTION:

- These accessories or attachments are recommended for use with your Makita tool specified in this manual. The use of any other accessories or attachments might present a risk of injury to persons. Only use accessory or attachment for its stated purpose.

If you need any assistance for more details regarding these accessories, ask your local Makita Service Center.



| | |
|----|---|
| 1 | Side grip |
| 2 | Wheel guard for Depressed center grinding wheel / Multi-disc / Wire wheel brush |
| 3 | Inner flange / Super flange ^{*1 *2} |
| 4 | Depressed center grinding wheel / Multi-disc |
| 5 | Lock nut / Ezynut ^{*1 *2} |
| 6 | Wheel guard for Abrasive cut off wheel / Diamond wheel ^{*3} |
| 7 | Inner flange 78 (Australia and New Zealand only) ^{*4} |
| 8 | Abrasive cut off wheel / Diamond wheel |
| 9 | Outer flange 78 (Australia and New Zealand only) ^{*4} |
| 10 | Rubber pad |
| 11 | Abrasive disc |
| 12 | Sanding lock nut |
| 13 | Wire wheel brush |
| 14 | Wire cup brush |
| – | Lock nut wrench |
| – | Dust cover attachment |

*1 Only for tools with M14 spindle thread.

*2 Do not use Super flange and Ezynut together.

*3 In some European countries, when using a diamond wheel, the ordinary guard can be used instead of the special guard covering the both side of the wheel. Follow the regulations in your country.

*4 Use Inner flange 78 and Outer flange 78 together. (Australia and New Zealand only)

013353

NOTE:

- Some items in the list may be included in the tool package as standard accessories. They may differ from country to country.

Noise

ENG905-1

The typical A-weighted noise level determined according to EN60745:

Model GA7050, GA7050R, GA9050, GA9050R

Sound pressure level (L_{pA}): 94 dB (A)

Sound power level (L_{WA}): 105 dB (A)

Uncertainty (K): 3 dB (A)

Wear ear protection.

Vibration

ENG900-1

The vibration total value (tri-axial vector sum) determined according to EN60745:

Model GA7050, GA7050R

Work mode: surface grinding

Vibration emission ($a_{n,AG}$): 6.5 m/s²

Uncertainty (K): 1.5 m/s²

Work mode: disc sanding

Vibration emission ($a_{n,DS}$): 4.0 m/s²

Uncertainty (K): 1.5 m/s²

Model GA9050, GA9050R

Work mode: surface grinding

Vibration emission ($a_{h,AG}$): 5.5 m/s²

Uncertainty (K): 1.5 m/s²

Work mode: disc sanding

Vibration emission ($a_{h,DS}$): 2.5 m/s²

Uncertainty (K): 1.5 m/s²

ENG902-1

- The declared vibration emission value has been measured in accordance with the standard test method and may be used for comparing one tool with another.
- The declared vibration emission value may also be used in a preliminary assessment of exposure.
- The declared vibration emission value is used for main applications of the power tool. However if the power tool is used for other applications, the vibration emission value may be different.

⚠ WARNING:

- The vibration emission during actual use of the power tool can differ from the declared emission value depending on the ways in which the tool is used.
- Be sure to identify safety measures to protect the operator that are based on an estimation of exposure in the actual conditions of use (taking account of all parts of the operating cycle such as the times when the tool is switched off and when it is running idle in addition to the trigger time).

For European countries only

ENH101-17

EC Declaration of Conformity

Makita declares that the following Machine(s):

Designation of Machine:

Angle Grinder

Model No./ Type: GA7050, GA7050R, GA9050, GA9050R

Conforms to the following European Directives:

2006/42/EC

They are manufactured in accordance with the following

Standard or standardized documents:

EN60745

The Technical file in accordance with 2006/42/EC is available from:

Makita, Jan-Baptist Vinkstraat 2, 3070, Belgium

31. 12. 2013



Yasushi Fukaya

Director

Makita, Jan-Baptist Vinkstraat 2, 3070, Belgium

FRANÇAIS (Instructions d'origine)

Descriptif

- | | | |
|---------------------------|--|---|
| 1. Blocage de l'arbre | 14. Clé à contre-écrou | 25. Carter de meule pour meule à tronçonner/meule diamantée |
| 2. Gâchette | 15. Disque abrasif | 26. Flasque extérieur 78 |
| 3. Levier de verrouillage | 16. Plateau en caoutchouc | 27. Flasque intérieur 78 |
| 4. Voyant | 17. Ezynut | 28. Sortie d'air |
| 5. Carter de meule | 18. Meule/multidisque | 29. Entrée d'air |
| 6. Vis | 19. Axe | 30. Commutateur |
| 7. Boîtier d'engrenage | 20. Flèche | 31. Bout isolateur |
| 8. Écrou | 21. Entaille | 32. Charbon |
| 9. Levier | 22. Brosse coupe métallique | 33. Bouchon de porte-charbon |
| 10. Contre-écrou | 23. Brosse roue métallique | 34. Tournevis |
| 11. Meule à moyeu déporté | 24. Meule à tronçonner/meule diamantée | |
| 12. Flasque intérieur | | |
| 13. Super flasque | | |

SPÉCIFICATIONS

| Modèle | GA7050 | GA7050R | GA9050 | GA9050R |
|---|-----------------------------|----------------------------|----------------------------|----------------------------|
| Diamètre de la meule à moyeu déporté | 180 mm | 180 mm | 230 mm | 230 mm |
| Épaisseur maximale de la meule | 6,5 mm | 6,5 mm | 6,5 mm | 6,5 mm |
| Filetage de l'axe | M14 ou 5/8" (selon le pays) | | | |
| Vitesse à vide (n_0)/ vitesse nominale (n) | 8 500 (min ⁻¹) | 8 500 (min ⁻¹) | 6 600 (min ⁻¹) | 6 600 (min ⁻¹) |
| Longueur totale | 432 mm | 455 mm | 432 mm | 455 mm |
| Poids net | 4,5 kg | 4,6 kg | 4,7 kg | 4,8 kg |
| Niveau de sécurité | □/II | | | |

- Étant donné l'évolution constante de notre programme de recherche et de développement, les spécifications contenues dans ce manuel sont sujettes à des modifications sans préavis.
- Les spécifications peuvent varier suivant les pays.
- Poids conforme à la procédure EPTA 01/2003

Symboles

END202-8

Les symboles utilisés pour l'outil sont indiqués ci-dessous. Assurez-vous d'avoir bien compris leur signification avant d'utiliser l'outil.



..... Reportez-vous au manuel d'instructions.



..... DOUBLE ISOLATION



..... Portez des lunettes de sécurité.



..... Pour les pays européens uniquement
Ne pas jeter les appareils électriques dans les ordures ménagères !
Conformément à la directive européenne relative aux déchets d'équipements électriques et électroniques (DEEE), et à sa transposition dans la législation nationale, les appareils électriques doivent être collectés à part et être soumis à un recyclage respectueux de l'environnement.

Utilisations

ENE048-1

L'outil est conçu pour le meulage, le ponçage et la coupe des métaux et pierres sans utilisation d'eau.

Alimentation

ENF002-2

L'outil ne doit être raccordé qu'à une alimentation de la même tension que celle qui figure sur la plaque signalétique, et il ne peut fonctionner que sur un courant secteur monophasé. Réalisé avec une double isolation, il peut de ce fait être alimenté sans mise à la terre.

Pour les modèles GA7050 et GA9050

ENF100-1

Pour système d'alimentation électrique à basse tension, de 220 V à 250 V.

La mise sous/hors tension des appareils électriques entraîne des fluctuations de la tension. L'utilisation de cet appareil sur une source d'alimentation inadéquate peut affecter le fonctionnement d'autres appareils. On peut considérer qu'il n'aura pas d'effets négatifs si l'impédance de la source d'alimentation est inférieure ou égale à 0,22 Ohm. La prise de courant utilisée pour cet appareil doit être protégée par un fusible ou un disjoncteur de protection à déclenchement lent.

Consignes de sécurité générales des outils électriques

GEA010-1

⚠ AVERTISSEMENT Veuillez lire toutes les consignes de sécurité et les instructions. Il y a un risque de choc électrique, d'incendie et/ou de blessure grave si les consignes et les instructions ne sont pas toutes respectées.

Conservez toutes les consignes et instructions pour référence ultérieure.

AVERTISSEMENTS DE SÉCURITÉ POUR LA MEULEUSE

GEB033-7

Consignes de sécurité pour des opérations de meulage, ponçage, brossage avec brosse métallique ou tronçonnage :

1. **Cet outil électrique est prévu pour fonctionner comme un outil de meulage, ponçage, tronçonnage ou brossage avec une brosse métallique.** Lisez tous les avertissements concernant la sécurité, les instructions, les illustrations et les caractéristiques fournis avec cet outil électrique. Il y a risque d'électrocution, d'incendie et/ou de blessures graves si les instructions énumérées ci-dessous ne sont pas respectées.
2. **Les opérations comme le polissage sont déconseillées avec cet outil électrique.** Les opérations pour lesquelles l'outil électrique n'a pas été conçu peuvent générer un danger et occasionner des blessures.
3. **N'utilisez pas des accessoires qui ne sont pas spécifiquement conçus et recommandés par le fabricant d'outils.** Le simple fait que l'accessoire puisse être fixé à votre outil électrique ne signifie pas que le fonctionnement sera sécurisé.
4. **La vitesse nominale de l'accessoire doit être au moins égale à la vitesse maximale indiquée sur l'outil électrique.** Des accessoires fonctionnant plus rapidement que leur vitesse nominale risquent de se casser et de voler en éclats.
5. **Le diamètre externe et l'épaisseur de votre accessoire doivent correspondre à la puissance nominale de votre outil électrique.** Des accessoires aux dimensions inappropriées ne peuvent pas être protégés ou contrôlés correctement.
6. **Le montage fileté d'accessoires doit correspondre au filetage de la broche de la meuleuse. Pour les accessoires montés à l'aide de flasques, l'orifice de tonnelle de l'accessoire doit correspondre au diamètre du flasque.** Les accessoires qui ne correspondent pas au matériel de montage de l'outil électrique seront déséquilibrés et subiront des vibrations excessives, susceptibles d'occasionner une perte de contrôle.
7. **N'utilisez pas d'accessoire endommagé. Avant chaque utilisation, vérifiez que les accessoires, comme les meules à tronçonner, ne comportent pas de copeaux et de craquelures, que les patins de renfort ne sont pas craquelés, déchirés ou excessivement usés et que les fils de la brosse**

métallique ne sont pas lâches ou craqués. En cas de chute de l'outil électrique ou de l'accessoire, vérifiez qu'il n'est pas abîmé ou installez un accessoire en bon état. Après avoir vérifié et installé un accessoire, positionnez-vous ainsi que les spectateurs à distance du plan de rotation de l'accessoire et faites fonctionner l'outil électrique à la vitesse maximale à vide pendant une minute. Normalement, tout accessoire endommagé se brisera au cours de ce temps d'essai.

8. **Portez un équipement de protection corporelle. En fonction de l'application, utilisez un écran facial ou bien un masque ou des lunettes de protection. Si nécessaire, portez un masque anti-poussières, des protège-tympans, des gants et un tablier d'atelier capable d'arrêter les petits fragments abrasifs ou des morceaux de la pièce à travailler.** La protection pour les yeux doit pouvoir stopper les projections de débris générées par diverses opérations. Le masque anti-poussières ou respirateur doit pouvoir filtrer les particules générées par votre opération. Une exposition prolongée à un bruit de haute intensité peut entraîner une perte auditive.
9. **Gardez les spectateurs à une distance de sécurité de la zone de travail. Quiconque pénètre dans la zone de travail doit porter un équipement de protection corporelle.** Des fragments de pièces à travailler ou d'un accessoire cassé peuvent être projetés hors de la zone de travail immédiate et entraîner des blessures.
10. **Ne tenez l'outil électrique que par ses surfaces de poigne isolées lorsque vous effectuez une opération au cours de laquelle l'accessoire de découpe peut entrer en contact avec des fils dissimulés ou avec le cordon de l'outil.** Il est possible que le contact avec un fil sous tension mette les parties métalliques exposées de l'outil sous tension, risquant ainsi de provoquer un choc électrique chez l'utilisateur.
11. **Positionnez le cordon à l'écart de l'accessoire rotatif.** En cas de perte de contrôle, le cordon risque d'être coupé ou accroché et l'accessoire rotatif risque d'attraper votre main ou votre bras.
12. **Ne posez jamais l'outil électrique à terre tant qu'il ne s'est pas complètement arrêté.** L'accessoire rotatif peut accrocher la surface et vous risquez de perdre le contrôle de l'outil électrique.
13. **Ne faites pas tourner l'outil électrique si vous le transportez à côté de vous.** Un contact accidentel avec l'accessoire rotatif pourrait accrocher vos vêtements et attirer l'accessoire vers votre corps.
14. **Nettoyez régulièrement les aérations de l'outil électrique.** Le ventilateur du moteur tirera la poussière à l'intérieur du logement et une accumulation excessive de poudre métallique peut entraîner des chocs électriques.
15. **Ne faites pas fonctionner l'outil électrique à proximité de matériaux inflammables.** Les étincelles risquent d'enflammer ces matériaux.
16. **N'utilisez pas d'accessoires qui nécessitent des liquides de refroidissement.** L'utilisation d'eau ou de liquides de refroidissement peut entraîner une électrocution ou un choc électrique.

Rebond et avertissements afférents

Le rebond est une réaction soudaine suite à un pincement ou accrochage d'une roue en rotation, d'un patin de renfort, d'une brosse ou d'un autre accessoire. Un pincement ou un accrochage peut entraîner le calage rapide de l'accessoire rotatif, ce qui peut alors forcer l'outil électrique hors de contrôle à tourner dans la direction opposée au sens de rotation de l'accessoire, jusqu'à ce qu'ils se bloquent.

Par exemple, si une meule est accrochée ou pincée par la pièce à travailler, le rebord de la meule qui pénètre dans le point de pincement peut creuser dans la surface du matériau, entraînant ainsi la sortie de la meule. La meule risque de sauter en direction de l'opérateur ou dans la direction opposée, en fonction du sens de rotation de la meule au niveau du point de pincement. Les meules peuvent également se casser dans certaines conditions. Le rebond est dû à une mauvaise utilisation de l'outil et/ou à des procédures ou conditions de travail inappropriées. Il peut être évité en prenant les mesures appropriées, telles que celles indiquées ci-dessous.

- a) **Maintenez une prise ferme sur l'outil électrique et positionnez votre corps et vos bras de façon à pouvoir résister aux forces du rebond. Utilisez toujours une poignée auxiliaire, le cas échéant, pour contrôler au maximum les rebonds ou la réaction du couple au démarrage.** L'opérateur peut contrôler les réactions du couple ou les forces du rebond s'il prend les précautions nécessaires.
- b) **Ne placez jamais la main à proximité de l'accessoire rotatif.** L'accessoire risque de rebondir sur votre main.
- c) **Ne positionnez pas votre corps dans la zone où l'outil électrique se déplacera en cas de rebond.** Le rebond propulsera l'outil dans la direction opposée au mouvement de la meule, au point d'accrochage.
- d) **Soyez particulièrement prudent lorsque vous travaillez dans des recoins, sur des rebords tranchants, etc. Évitez de faire rebondir ou d'accrocher l'accessoire.** Les recoins, les rebords tranchants ou les rebonds ont tendance à accrocher l'accessoire rotatif et à provoquer une perte de contrôle ou un retour de choc.
- e) **Ne fixez pas une lame de sculpteur à chaîne coupante ou une lame de scie dentée.** De telles lames peuvent créer de fréquents rebonds et pertes de contrôle.

Consignes de sécurité spécifiques aux opérations de meulage et de tronçonnage :

- a) **N'utilisez que les types de meules qui sont recommandées pour votre outil électrique et la protection spécifique conçue pour la meule sélectionnée.** Les meules pour lesquelles l'outil électrique n'a pas été conçu ne peuvent pas être protégées de manière adéquate et ne sont pas sûres.
- b) **La surface de meulage des meules à moyeu déporté doit être installée sous le plateau de la lèvre du carter.** Une meule mal montée qui est projetée à travers le plateau de la lèvre du carter ne peut pas être correctement protégée.
- c) **Pour une sécurité maximale, le carter doit être solidement fixé et positionné à l'outil électrique, de manière à exposer la meule au minimum en direction de l'opérateur.** Le carter permet de protéger l'opérateur des fragments de meule brisés,

du contact accidentel avec la meule et des étincelles susceptibles d'enflammer les vêtements.

- d) **Les meules doivent être utilisées uniquement pour les applications recommandées. Par exemple : ne pas meuler avec la face latérale de la meule à tronçonner.** Les meules à tronçonner sont conçues pour un meulage périphérique, les forces latérales appliquées à ces meules peuvent les briser.
- e) **Utilisez toujours des flasques de meule en bon état dont la taille et la forme sont adaptées à la meule que vous avez sélectionnée.** Des flasques de meule appropriés soutiennent la meule, réduisant ainsi les risques de cassure de la meule. Les flasques pour les meules à tronçonner peuvent être différents des flasques de meule.
- f) **N'utilisez pas de meules usées issues d'outils électriques plus grands.** Les meules conçues pour les outils électriques plus grands ne conviennent pas à la vitesse plus élevée d'un outil plus petit et risquent d'exploser.

Consignes de sécurité supplémentaires spécifiques aux opérations de tronçonnage :

- a) **Ne bloquez pas la meule à tronçonner et n'appliquez pas de pression excessive. Ne tentez pas d'effectuer une découpe d'une profondeur excessive.** Une surcharge de la meule augmente la charge et la susceptibilité aux torsions ou coincements de la meule lors de la découpe et la possibilité d'un rebond ou le risque de cassure de la meule.
- b) **Ne positionnez pas votre corps en ligne avec et derrière la meule rotative.** Lorsque la meule en fonctionnement s'écarte de votre corps, le rebond éventuel peut propulser la meule en rotation et l'outil électrique directement sur vous.
- c) **Lorsque la meule se coince ou lors de l'interruption d'une découpe, quelle qu'en soit la raison, éteignez l'outil électrique et maintenez-le immobile jusqu'à ce que la meule s'arrête complètement. Ne tentez jamais de retirer la meule à tronçonner de la coupe quand la meule est en mouvement, sans quoi un rebond risque de se produire.** Identifiez la cause du coincement de la lame et prenez les mesures correctives pour éliminer ladite cause.
- d) **Ne reprenez pas l'opération de découpe dans la pièce à travailler. Laissez la meule atteindre sa vitesse pleine et rentrez à nouveau dans la coupe avec prudence.** La meule peut se coincer, reculer ou rebondir si l'outil électrique est redémarré dans la pièce à travailler.
- e) **Soutenez les panneaux ou une pièce à travailler de taille excessive pour minimiser les risques de pincement et de rebond de la meule.** Les pièces à travailler de grande dimension ont tendance à s'affaisser sous leur propre poids. Des dispositifs de soutien doivent être installés sous la pièce à travailler, à proximité de la ligne de coupe et des rebords de la pièce à travailler, de chaque côté de la meule.
- f) **Soyez extrêmement prudent lorsque vous effectuez une coupe en plongée dans un mur ou toute autre surface derrière laquelle peuvent se trouver des objets non visibles.** La meule en saillie peut couper des conduites de gaz ou d'eau, des fils

électriques ou des objets qui peuvent provoquer un rebond.

Consignes de sécurité particulières aux opérations de ponçage :

a) **N'utilisez pas de disque de ponçage aux dimensions excessives. Suivez les conseils des fabricants lors du choix du papier de verre.** Un papier de verre trop grand qui dépasse du patin de ponçage présente des risques de lacération et peut entraîner un accrochage ou un déchirement du disque ou bien un rebond.

Consignes de sécurité spécifiques aux opérations à la brosse métallique :

a) **Ayez conscience que la brosse rejette des fils métalliques, même lors d'un fonctionnement normal. Ne surchargez pas les fils en appliquant une charge excessive sur la brosse.** Les fils métalliques peuvent facilement transpercer des vêtements légers et/ou la peau.

b) **S'il est conseillé d'utiliser une protection pour la brosse métallique, ne laissez pas la brosse métallique à touret ou la brosse interférer avec la protection.** Le diamètre de la brosse métallique à touret ou de la brosse peut s'agrandir en raison de la charge de travail et des forces centrifuges.

Autres avertissements de sécurité :

17. **Lors de l'utilisation de meules à moyeu déporté, assurez-vous d'utiliser exclusivement des meules renforcées par de la fibre de verre.**
18. **N'UTILISEZ JAMAIS de meule pour couper la pierre avec cette meuleuse.** Cette meuleuse n'est pas destinée à ce type de meule et l'utilisation de ce genre de produit peut entraîner de graves blessures corporelles.
19. **Prenez garde d'endommager l'axe, le flasque (tout particulièrement la surface par laquelle il s'installe) ou le contre-écrou.** La meule risque de casser si ces pièces sont endommagées.
20. **Assurez-vous que la meule n'entre pas en contact avec la pièce à travailler avant de mettre l'outil sous tension.**
21. **Avant d'utiliser l'outil sur la pièce elle-même, laissez-le tourner un instant. Soyez attentif à toute vibration ou sautellement pouvant indiquer que la meule n'est pas bien installée ou qu'elle est mal équilibrée.**
22. **Utilisez la face spécifiée de la meule pour procéder au meulage.**
23. **N'abandonnez pas l'outil alors qu'il tourne. Ne faites fonctionner l'outil qu'une fois que vous l'avez bien en main.**
24. **Ne touchez jamais la pièce juste après l'opération ; elle peut être extrêmement chaude et vous risquez de vous brûler.**
25. **Pour installer et utiliser correctement les meules, veuillez suivre les instructions du fabricant. Manipulez les meules avec soin et rangez-les en lieu sûr.**
26. **N'utilisez aucun raccord de réduction ou adaptateur séparé pour adapter une meule présentant un grand orifice.**
27. **Utilisez exclusivement les flasques spécifiés pour cet outil.**

28. **Dans le cas des outils conçus pour l'utilisation avec une meule à trou fileté, assurez-vous que la longueur du filetage de la meule convient à la longueur de l'axe.**
29. **Assurez-vous que la pièce à travailler est correctement soutenue.**
30. **Gardez à l'esprit que la meule continue de tourner même une fois le contact coupé sur l'outil.**
31. **Si le site de travail est extrêmement chaud et humide ou s'il y a beaucoup de poussières conductrices dans l'air, utilisez un coupe-circuit (30 mA) pour assurer votre sécurité.**
32. **N'utilisez l'outil sur aucun matériau contenant de l'amiante.**
33. **Lorsque vous utilisez une meule à tronçonner, travaillez toujours avec le carter de collecte des poussières exigé par la réglementation locale.**
34. **Aucune pression latérale ne doit être appliquée sur le disque pendant la coupe.**

CONSERVEZ CES INSTRUCTIONS.

⚠ AVERTISSEMENT :

NE vous laissez PAS tromper (au fil d'une utilisation répétée) par un sentiment d'aisance et de familiarité avec le produit, en négligeant le respect rigoureux des consignes de sécurité qui accompagnent l'outil. Une UTILISATION INCORRECTE de l'outil ou un non-respect des consignes de sécurité indiquées dans ce manuel d'instructions peuvent causer des blessures graves.

DESCRIPTION DU FONCTIONNEMENT

⚠ ATTENTION :

- Assurez-vous toujours que l'outil est éteint et débranché avant de le régler ou de vérifier son fonctionnement.

Blocage de l'arbre

⚠ ATTENTION :

- N'activez jamais le blocage de l'arbre alors que l'axe bouge. Vous pourriez endommager l'outil. (Fig. 1)
- Appuyez sur le blocage de l'arbre pour empêcher l'axe de tourner lors de l'installation ou du retrait des accessoires.

Interrupteur

⚠ ATTENTION :

- Avant de brancher l'outil, vérifiez toujours que la gâchette fonctionne correctement et revient en position d'arrêt (« OFF ») lorsqu'elle est relâchée.
- L'interrupteur peut être verrouillé en position de MARCHE pour le confort de l'opérateur pendant un usage prolongé. Soyez vigilant lorsque vous verrouillez l'outil en position de MARCHE et gardez-le bien en main. (Fig. 2)

Pour les outils équipés d'un commutateur de verrouillage

Pour démarrer l'outil, appuyez simplement sur la gâchette (dans le sens B). Pour l'arrêter, relâchez la gâchette. Pour

un fonctionnement continu, appuyez sur la gâchette (dans le sens B) puis enfoncez le levier de verrouillage (dans le sens A). Pour arrêter l'outil alors qu'il est en position verrouillée, appuyez à fond sur la gâchette (dans le sens B), puis relâchez-la.

Pour les outils équipés d'un commutateur de sécurité

Un bouton de sécurité est prévu pour éviter toute pression accidentelle sur la gâchette.

Pour faire démarrer l'outil, enfoncez le levier de verrouillage (dans le sens A) puis appuyez sur la gâchette (dans le sens B). Pour l'arrêter, relâchez la gâchette.

Pour les outils équipés d'un commutateur de sécurité et d'un commutateur de verrouillage

Un bouton de sécurité est prévu pour éviter toute pression accidentelle sur la gâchette.

Pour faire démarrer l'outil, enfoncez le levier de verrouillage (dans le sens A) puis appuyez sur la gâchette (dans le sens B). Pour l'arrêter, relâchez la gâchette.

Pour un fonctionnement continu, enfoncez le levier de verrouillage (dans le sens A), appuyez sur la gâchette (dans le sens B), puis appuyez sur le levier de verrouillage (dans le sens C).

Pour arrêter l'outil alors qu'il est en position verrouillée, appuyez à fond sur la gâchette (dans le sens B), puis relâchez-la.

Voyant (pour le modèle GA7050R/GA9050R) (Fig. 3)

Le voyant vert de mise sous tension s'allume lorsque l'outil est branché. Si le voyant ne s'allume pas, il se peut que le cordon d'alimentation ou le contrôleur soit défectueux. Si le voyant est allumé alors que l'outil ne démarre pas même s'il est sous tension, il se peut que les charbons soient usés ou que le contrôleur, le moteur ou l'interrupteur MARCHE/ARRÊT soit défectueux.

Redémarrage involontaire

Même le levier de verrouillage maintenant la gâchette enfoncée (position verrouillée) ne permet pas de redémarrer l'outil, même lorsqu'il est branché.

À ce stade, le voyant rouge clignote et indique que le dispositif de sécurité contre un redémarrage involontaire est en cours de fonctionnement.

Pour l'annuler, poussez à fond la gâchette, puis relâchez-la.

Fonction de démarrage graduel

Ces modèles ont un démarrage lent. Ce démarrage graduel assure un fonctionnement en douceur.

ASSEMBLAGE

⚠ ATTENTION :

- Avant d'effectuer toute intervention sur l'outil, assurez-vous toujours qu'il est éteint et débranché.

Installation de la poignée latérale (manche)

⚠ ATTENTION :

- Avant d'utiliser l'outil, assurez-vous toujours que la poignée latérale est installée de façon sûre. (Fig. 4) Vissez la poignée latérale à fond sur la position prévue à cet effet sur l'outil, comme illustré sur la figure.

Pose ou dépose du carter de meule (Pour meule à moyeu déporté, multidisque, brosse roue métallique/meule à tronçonner, meule diamantée)

⚠ AVERTISSEMENT :

- Lors de l'utilisation d'un multidisque/d'une meule à moyeu déporté, d'une meule à tronçonner ou d'une brosse roue métallique, vous devez ajuster le carter de meule sur l'outil, de sorte que la partie fermée du carter soit toujours orientée vers l'opérateur.
- Lorsque vous utilisez une meule à tronçonner/meule diamantée, assurez-vous de n'utiliser que le carter de meule spécifique, conçu pour être utilisé avec des meules à tronçonner. (En Europe, en cas d'utilisation d'une meule diamantée, un carter classique peut être utilisé.)

Pour les outils avec un carter de meule de type à vis de verrouillage (Fig. 5)

Montez le carter de meule en alignant la partie saillante de la bande du carter sur l'entaille du boîtier d'engrenage. Faites ensuite pivoter le carter de meule à 180 degrés dans le sens inverse des aiguilles d'une montre. Assurez-vous d'avoir serré la vis fermement.

Pour retirer le carter de meule, suivez la procédure d'installation en ordre inverse.

Pour les outils équipés d'un carter de meule de type levier à bride (Fig. 6 et 7)

Desserrez le levier du carter de meule. Montez le carter de meule en alignant la partie saillante de la bande du carter sur l'entaille du boîtier d'engrenage. Faites ensuite tourner le carter de meule dans le sens indiqué sur la figure. Serrez le levier pour fixer le carter de meule. Si le levier est trop serré ou trop lâche pour permettre de fixer le carter de meule, desserrez ou serrez l'écrou afin d'ajuster le serrage de la bande du carter de meule. Pour retirer le carter de meule, suivez la procédure d'installation en ordre inverse.

Pose ou dépose de la meule à moyeu déportée/du multidisque (accessoire en option)

⚠ AVERTISSEMENT :

- Utilisez toujours le carter de meule fourni lorsque le multidisque/la meule à moyeu déporté est installé(e) sur l'outil. Comme la meule peut se rompre pendant l'utilisation, le carter de meule réduit les risques de blessure. (Fig. 8)

Montez le flasque intérieur sur l'axe. Ajustez la meule/le disque sur le flasque intérieur et vissez le contre-écrou sur l'axe.

⚠ AVERTISSEMENT :

- N'utilisez jamais de meule de plus de 6,5 mm d'épaisseur.

Super flasque

Les modèles dont la référence comporte la lettre F sont équipés en série d'un super flasque. Le desserrage du contre-écrou nécessite trois fois moins d'effort que le type classique.

REMARQUE :

- Uniquement pour les outils équipés d'une tige fileté d'axe M14

Pour l'Australie et la Nouvelle-Zélande (Fig. 9)

Montez le flasque intérieur sur l'axe. Ajustez la meule/le disque sur le flasque intérieur et vissez le contre-écrou en orientant sa partie saillante vers le bas (vers la roue.) Pour serrer le contre-écrou, appuyez fermement sur le blocage de l'arbre pour empêcher l'axe de tourner, puis utilisez la clé à contre-écrou pour serrer fermement dans le sens des aiguilles d'une montre. (Fig. 10)
Pour retirer la meule, suivez la procédure d'installation en ordre inverse.

Pose ou dépose d'un disque abrasif (accessoire en option)

REMARQUE :

- Utilisez les accessoires de ponçage spécifiés dans le présent manuel. Ceux-ci doivent être achetés séparément. (Fig. 11)

Montez le plateau en caoutchouc sur l'axe. Ajustez le disque sur le plateau en caoutchouc et vissez le contre-écrou sur l'axe. Pour serrer le contre-écrou, appuyez fermement sur le blocage de l'arbre pour empêcher l'axe de tourner, puis utilisez la clé à contre-écrou pour serrer fermement dans le sens des aiguilles d'une montre. Pour retirer le disque, suivez la procédure d'installation en sens inverse.

Pose ou dépose d'un Ezynut (accessoire en option)

⚠ ATTENTION :

- N'utilisez pas d'Ezynut avec un Super flasque ou une meuleuse d'angle dont le numéro de modèle se termine par la lettre « F ». Ces flasques sont si épais que l'axe n'est pas en mesure de retenir l'ensemble du filetage. (Fig. 12)

Montez le flasque intérieur, la meule/le multidisque et l'Ezynut sur l'axe, de sorte que le logo Makita sur l'Ezynut apparaisse à l'extérieur. (Fig. 13)

Appuyez fermement sur le blocage de l'arbre et serrez l'Ezynut en tournant à fond la meule/le multidisque dans le sens des aiguilles d'une montre.

Tournez l'anneau extérieur de l'Ezynut dans le sens inverse des aiguilles d'une montre pour le desserrer.

(Fig. 14 et 15)

REMARQUE :

- Vous pouvez desserrer l'Ezynut à la main tant que la flèche est orientée vers l'entaille. Dans le cas contraire, vous aurez besoin d'une clé à contre-écrou pour le desserrer. Insérez l'une des broches de la clé dans un orifice et tournez l'Ezynut dans le sens inverse des aiguilles d'une montre.
- Uniquement pour les outils équipés d'une tige fileté d'axe M14

FONCTIONNEMENT

⚠ ATTENTION :

- Il n'est jamais nécessaire de forcer l'outil. Le poids de l'outil lui-même suffit à assurer une pression adéquate. En forçant l'outil ou en appliquant une pression

excessive dessus, vous courez le risque dangereux de casser la meule.

- Remplacez TOUJOURS la meule si vous laissez tomber l'outil pendant le meulage.
- Ne frappez JAMAIS le disque de meulage ou la meule contre la pièce à travailler.
- Évitez de laisser la meule sautiller ou accrocher, tout spécialement lorsque vous travaillez dans les coins, sur les bords tranchants, etc. Cela peut causer une perte de contrôle et un choc en retour.
- N'utilisez JAMAIS cet outil avec des lames à bois et autres lames de scie. Les lames de ce type sautent fréquemment lorsqu'elles sont utilisées sur une meuleuse et risquent d'entraîner une perte de contrôle pouvant causer des blessures.

⚠ ATTENTION :

- Pour éviter de vous blesser, ne mettez jamais l'outil en marche alors qu'il se trouve en contact avec la pièce à travailler.
- Pendant l'utilisation, portez toujours des lunettes de sécurité ou un masque de protection.
- Après l'utilisation, mettez toujours l'outil hors tension et attendez l'arrêt complet de la meule avant de reposer l'outil.

Meulage et ponçage (Fig. 16)

Tenez TOUJOURS l'outil fermement en posant une main sur le manche arrière et l'autre main sur le manche latéral. Mettez l'outil en marche puis posez la meule ou le disque sur la pièce à travailler.

En général, vous devez maintenir le bord de la meule ou du disque sur un angle d'environ 15 degrés par rapport à la surface de la pièce à travailler.

Pendant la période de rodage d'une meule neuve, ne faites pas avancer la meuleuse dans le sens B, sinon elle risque de couper la pièce à travailler. Une fois le tranchant de la meule rodé, la meule peut être utilisée dans les sens A et B.

Utilisation avec une brosse coupe métallique (accessoire en option)

⚠ ATTENTION :

- Vérifiez le fonctionnement de la brosse en actionnant l'outil à vide, après vous être assuré que personne ne se trouvait face à ou dans le prolongement de la brosse.
- N'utilisez pas de brosse endommagée ou déséquilibrée. L'utilisation d'une brosse endommagée est susceptible d'augmenter les risques de blessure par contact avec des fils brisés. (Fig. 17)

Débranchez l'outil et placez-le à l'envers en facilitant l'accès à l'axe. Retirez tous les accessoires montés sur l'axe. Montez la brosse coupe métallique sur l'axe et serrez-la avec la clé fournie. Lors de l'utilisation de la brosse, évitez d'appliquer une pression trop importante provoquant une courbure excessive des fils et entraînant une rupture prématurée.

Utilisation avec une brosse roue métallique (accessoire en option)

⚠ ATTENTION :

- Vérifiez le fonctionnement de la brosse roue métallique en actionnant l'outil à vide, après vous être assuré que personne ne se trouvait face à ou dans le prolongement de la brosse roue métallique.
- N'utilisez pas de brosse roue métallique endommagée ou déséquilibrée. L'utilisation d'une brosse roue métallique endommagée est susceptible d'augmenter les risques de blessure par contact avec des fils brisés.
- Utilisez TOUJOURS le carter de meule avec des brosses roue métalliques, en vous assurant que le diamètre de la meule est inférieur à celui du carter. Comme la meule peut se rompre pendant l'utilisation, le carter de meule réduit les risques de blessure.

(Fig. 18)

Débranchez l'outil et placez-le à l'envers en facilitant l'accès à l'axe. Retirez tous les accessoires montés sur l'axe. Faites passer la brosse roue métallique sur l'axe et serrez-la avec les clés.

Lors de l'utilisation de la brosse roue métallique, évitez d'appliquer une pression trop importante provoquant une courbure excessive des fils et entraînant une rupture prématurée.

Utilisation avec une meule à tronçonner/diamantée (accessoire en option)

⚠ AVERTISSEMENT :

- Lorsque vous utilisez une meule à tronçonner/meule diamantée, assurez-vous de n'utiliser que le carter de meule spécifique, conçu pour être utilisé avec des meules à tronçonner. (En Europe, en cas d'utilisation d'une meule diamantée, un carter classique peut être utilisé.)
- N'utilisez JAMAIS de meule à tronçonner pour le meulage latéral.
- Ne bloquez pas la meule et n'appliquez pas de pression excessive. Ne tentez pas d'effectuer une découpe d'une profondeur excessive. Une surcharge de la meule augmente la charge et la susceptibilité aux torsions ou coincements de la meule lors de la découpe et la possibilité d'un retour de choc, que la meule se casse et que le moteur surchauffe.
- Ne commencez pas l'opération de découpe dans la pièce à travailler. Laissez la meule atteindre sa vitesse pleine et entrez prudemment dans la découpe en déplaçant l'outil vers l'avant sur la surface de la pièce à travailler. La meule peut se coincer, retourner en arrière ou rebondir si l'outil électrique est démarré dans la pièce à travailler.
- Au cours d'opérations de découpe, ne changez jamais l'angle de la meule. Si vous appliquez une pression latérale sur la meule à tronçonner (dans un meulage), la meule se fêlera et se cassera, entraînant des blessures graves.
- Les meules diamantées doivent être utilisées perpendiculairement au matériau à découper.

Montez le flasque intérieur sur l'axe. Ajustez la meule/le disque sur le flasque intérieur et vissez le contre-écrou sur l'axe. (Fig. 19)

Lors de l'installation d'une meule diamantée ou d'une meule à tronçonner comportant une meule de 7 mm

d'épaisseur au moins, montez le contre-écrou en orientant vers la meule son extrémité circulaire (partie saillante) pour l'alsage de la roue.

Pour l'Australie et la Nouvelle-Zélande

Pose ou dépose d'une meule à tronçonner/meule diamantée (accessoire en option) (Fig. 20)

ENTRETIEN

⚠ ATTENTION :

- Assurez-vous toujours que l'outil est hors tension et débranché avant d'y effectuer tout travail d'inspection ou d'entretien.
- N'utilisez jamais d'essence, de benzine, de diluant, d'alcool ou de produit similaire. Ces produits risquent de provoquer des décolorations, des déformations ou des fissures.

L'outil et ses orifices d'aération doivent être maintenus propres. Nettoyez les orifices d'aération de l'outil régulièrement ou chaque fois qu'ils commencent à se boucher. (Fig. 21)

Remplacement des charbons (Fig. 22)

Lorsque le bout isolateur en résine qui se trouve à l'intérieur du charbon entre en contact avec le commutateur, il coupe automatiquement l'alimentation du moteur. Lorsque cela se produit, il faut remplacer les deux charbons. Maintenez les charbons propres et en état de glisser aisément dans les porte-charbons. Les deux charbons doivent être remplacés en même temps. N'utilisez que des charbons identiques.

Retirez les bouchons de porte-charbon à l'aide d'un tournevis. Enlevez les charbons usés, insérez-en de nouveaux et revissez solidement les bouchons de porte-charbon. (Fig. 23)

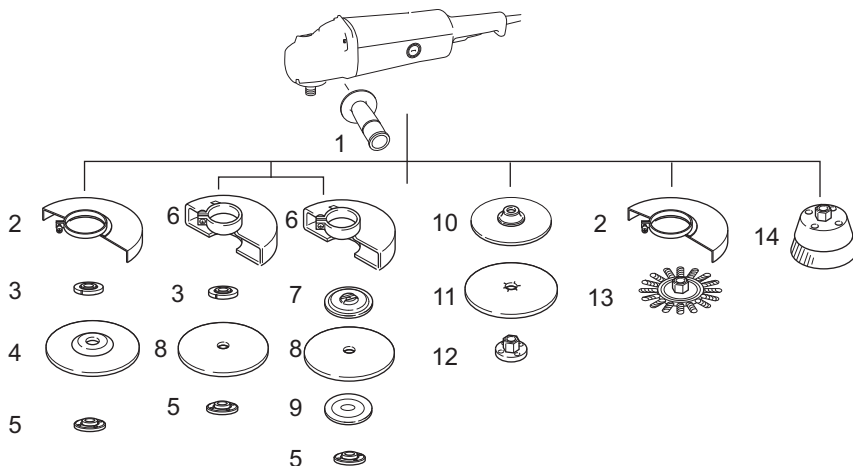
Pour maintenir la SÉCURITÉ et la FIABILITÉ du produit, les réparations, tout autre travail d'entretien ou de réglage doivent être effectués dans un centre de service Makita agréé, exclusivement avec des pièces de rechange Makita.

ACCESSOIRES FOURNIS EN OPTION

⚠ ATTENTION :

- Ces accessoires ou pièces complémentaires sont recommandés pour être utilisés avec l'outil Makita spécifié dans ce mode d'emploi. L'utilisation de tout autre accessoire ou pièce complémentaire peut comporter un risque de blessure. N'utilisez les accessoires ou pièces qu'aux fins auxquelles ils ont été conçus.

Pour obtenir plus de détails sur ces accessoires, contactez votre Centre de service local Makita.



| | |
|----|---|
| 1 | Poignée latérale |
| 2 | Carter de meule pour meule à moyeu déporté/multidisque/brosse roue métallique |
| 3 | Flasque intérieur/super flasque*1 *2 |
| 4 | Meule à moyeu déporté/multidisque |
| 5 | Contre-écrou/Ezynut*1 *2 |
| 6 | Carter de meule pour meule à tronçonner/meule diamantée*3 |
| 7 | Flasque intérieur 78 (Australie et Nouvelle-Zélande uniquement)*4 |
| 8 | Meule à tronçonner/meule diamantée |
| 9 | Flasque extérieur 78 (Australie et Nouvelle-Zélande uniquement)*4 |
| 10 | Plateau en caoutchouc |
| 11 | Disque abrasif |
| 12 | Contre-écrou de ponçage |
| 13 | Brosse roue métallique |
| 14 | Brosse coupe métallique |
| - | Clé à contre-écrou |
| - | Fixation anti-poussière |

*1 Uniquement pour les outils équipés d'une tige fileté d'axe M14.

*2 N'utilisez pas de super flasque et d'Ezynut simultanément.

*3 Dans certains pays d'Europe, en cas d'utilisation d'une meule diamantée, le carter classique peut être utilisé à la place du carter spécial recouvrant les deux côtés de la meule. Suivez les réglementations de votre pays.

*4 Utilisez le flasque intérieur 78 et le flasque extérieur 78 simultanément. (Australie et Nouvelle-Zélande uniquement)

013353

REMARQUE :

- Certains éléments de la liste peuvent être inclus en tant qu'accessoires standard dans le coffret de l'outil envoyé. Ils peuvent varier suivant les pays.

Bruit ENG905-1
Les niveaux de bruit pondéré A typiques ont été mesurés selon la norme EN60745 :

Modèles GA7050, GA7050R, GA9050, GA9050R

Niveau de pression sonore (L_{pA}) : 94 dB (A)
Niveau de puissance sonore (L_{WA}) : 105 dB (A)
Incertitude (K) : 3 dB (A)

Portez des protections auditives.

Vibrations

ENG900-1

La valeur totale de vibrations (somme du vecteur triaxial) a été déterminée selon la norme EN60745 :

Modèles GA7050 et GA7050R

Mode de fonctionnement : meulage de surface
Émission de vibrations ($a_{h,AG}$) : 6,5 m/s²
Incertitude (K) : 1,5 m/s²

Mode de fonctionnement : ponçage au disque
Émission de vibrations ($a_{h,DS}$) : 4,0 m/s²
Incertitude (K) : 1,5 m/s²

Modèles GA9050 et GA9050R

Mode de fonctionnement : meulage de surface

Émission de vibrations ($a_{h,AG}$) : 5,5 m/s²

Incertitude (K) : 1,5 m/s²

Mode de fonctionnement : ponçage au disque

Émission de vibrations ($a_{h,DS}$) : 2,5 m/s²

Incertitude (K) : 1,5 m/s²

ENG902-1

- La valeur de l'émission des vibrations déclarée a été mesurée conformément à la méthode de test standard et peut être utilisée afin de comparer des outils entre eux.
- La valeur de l'émission des vibrations déclarée peut également être utilisée lors d'une évaluation préliminaire de l'exposition.
- La valeur de l'émission des vibrations déclarée est utilisée pour les principales applications de l'outil électrique. Cependant, si l'outil est utilisé pour d'autres applications, la valeur de l'émission des vibrations peut être différente.

ATTENTION :

- Selon la manière dont l'outil est utilisé, il est possible que l'émission des vibrations pendant l'utilisation réelle de l'outil électrique diffère de la valeur de l'émission déclarée.
- Veuillez à identifier les mesures de sécurité destinées à protéger l'opérateur et établies à partir de l'estimation de l'exposition dans les conditions réelles d'utilisation (en prenant en compte toutes les étapes du cycle de fonctionnement, telles que les périodes de mise hors tension de l'outil, les périodes de fonctionnement au ralenti et les périodes de mise en route).

Pour les pays d'Europe uniquement

ENH101-17

Déclaration de conformité CE

Makita déclare que la/les machine(s) suivante(s) :

Nom de la machine :

Meuleuse d'angle

N° de modèle/Type : GA7050, GA7050R, GA9050, GA9050R

sont conformes aux directives européennes

suivantes :

2006/42/CE

sont produites conformément aux normes ou documents de normalisation suivants :

EN60745

Le dossier technique conforme à la norme 2006/42/CE est disponible auprès de :

Makita, Jan-Baptist Vinkstraat 2, 3070, Belgique

31. 12. 2013



Yasushi Fukaya

Directeur

Makita, Jan-Baptist Vinkstraat 2, 3070, Belgique

DEUTSCH (Originalanweisungen)

Erklärung der Gesamtdarstellung

- | | | |
|-----------------------------------|--|---|
| 1. Spindelarretierung | 14. Sicherungsmutterschlüssel | 25. Schutzhaube für Trennschleifscheibe/ |
| 2. Ein/Aus-Schalter | 15. Schleifscheibe | Diamantscheibe |
| 3. Arretierhebel | 16. Gummiteller | 26. Außenflansch 78 |
| 4. Anzeigenleuchte | 17. Ezynut-Flansch | 27. Innenflansch 78 |
| 5. Schutzhaube | 18. Schleifscheibe/Multischeibe | 28. Schlitz für Luftaustritt |
| 6. Schraube | 19. Spindel | 29. Schlitz für Lufteintritt |
| 7. Lagergehäuse | 20. Pfeil | 30. Gleichrichter |
| 8. Mütter | 21. Einkerbung | 31. Isolierspitze |
| 9. Sicherungsmutter | 22. Topfdrabtbürste | 32. Kohlebürste |
| 10. Hebel | 23. Drahrundbürste | 33. Bürstenhalterkappe |
| 11. Gekröpfte Trennschleifscheibe | 24. Trennschleifscheibe/ Diamantscheibe | 34. Schraubendreher |
| 12. Innenflansch | | |
| 13. Super-Flansch | | |

TECHNISCHE DATEN

| Modell | GA7050 | GA7050R | GA9050 | GA9050R |
|--|----------------------------------|----------------------------|----------------------------|----------------------------|
| Durchmesser der gekröpften Trennschleifscheibe | 180 mm | 180 mm | 230 mm | 230 mm |
| Max. Scheibendicke | 6,5 mm | 6,5 mm | 6,5 mm | 6,5 mm |
| Spindelgewinde | M14 oder 5/8" (länderspezifisch) | | | |
| Leertlaufgeschwindigkeit (n ₀)/ Nenn Drehzahl (n) | 8.500 (min ⁻¹) | 8.500 (min ⁻¹) | 6.600 (min ⁻¹) | 6.600 (min ⁻¹) |
| Gesamtlänge | 432 mm | 455 mm | 432 mm | 455 mm |
| Nettogewicht | 4,5 kg | 4,6 kg | 4,7 kg | 4,8 kg |
| Sicherheitsklasse | □/II | | | |

- Aufgrund unserer beständigen Forschungen und Weiterentwicklungen sind Änderungen an den hier angegebenen Technischen Daten ohne Vorankündigung vorbehalten.
- Die Technischen Daten können in den einzelnen Ländern voneinander abweichen.
- Gewicht entsprechend EPTA-Verfahren 01/2003

Symbole

END202-8

Im Folgenden sind die im Zusammenhang mit diesem Werkzeug verwendeten Symbole dargestellt. Machen Sie sich vor der Benutzung des Werkzeugs unbedingt mit diesen Symbolen vertraut!



..... Lesen Sie die vorliegende Bedienungsanleitung.



..... DOPPELT SCHUTZISOLIERT



..... Tragen Sie eine Schutzbrille.



..... Nur für EU-Länder
Werfen Sie Elektrowerkzeuge nicht in den Hausmüll!
Gemäß der Europäischen Richtlinie über Elektro- und Elektronik-Altgeräte und ihrer Umsetzung in nationales Recht müssen verbrauchte Elektrowerkzeuge getrennt gesammelt und einer umweltgerechten Wiederverwertung zugeführt werden.

Verwendungszweck

ENE048-1

Das Werkzeug ist für das Schneiden und Schleifen von Metall und Stein ohne Verwendung von Wasser vorgesehen.

Stromversorgung

ENF002-2

Das Werkzeug darf nur an eine Stromversorgung mit Einphasen-Wechselstrom mit der auf dem Typenschild angegebenen Spannung angeschlossen werden. Das Werkzeug verfügt über ein doppelt isoliertes Gehäuse und kann daher auch an einer Stromversorgung ohne Schutzkontakt betrieben werden.

Für Modell GA7050, GA9050

ENF100-1

Für öffentliche Niederspannungs-Versorgungssysteme mit einer Spannung zwischen 220 V und 250 V.

Schaltvorgänge von Elektrogeräten verursachen Spannungsschwankungen. Der Betrieb dieses Gerätes unter ungünstigen Netzstrombedingungen kann sich nachteilig auf den Betrieb anderer Geräte auswirken. Bei einer Netzstromimpedanz von 0,22 Ohm oder weniger ist anzunehmen, dass keine negativen Effekte auftreten. Die für dieses Gerät verwendete Netzsteckdose muss durch eine Sicherung oder einen Schutzschalter mit trägen Auslöseeigenschaften geschützt sein.

Allgemeine Sicherheitshinweise für Elektrowerkzeuge

GEA010-1

⚠️ WARNUNG Lesen Sie alle Sicherheitshinweise und Anweisungen sorgfältig durch. Wenn die Hinweise und Anweisungen nicht beachtet werden, besteht die Gefahr eines Stromschlags, Brands und/oder das Risiko von ernsthaften Verletzungen.

Bewahren Sie alle Hinweise und Anweisungen zur späteren Referenz gut auf.

SICHERHEITSHINWEISE FÜR DAS SCHLEIFEN

GEB033-7

Allgemeine Sicherheitshinweise für das Schleifen, Schmirgeln, Drahtbürsten oder Trennschleifen:

1. **Dieses Werkzeug wurde für die Verwendung als Schleifmaschine, Schmirgelschleifmaschine, Drahtbürste oder Trennmaschine hergestellt. Lesen Sie alle Sicherheitshinweise, Anweisungen, Abbildungen und Spezifikationen durch, die mit diesem Elektrowerkzeug geliefert wurden.** Werden nicht alle der unten aufgeführten Anweisungen befolgt, besteht die Gefahr eines Stromschlags, Brands und/oder die Gefahr schwerer Verletzungen.
2. **Andere Arbeiten, wie zum Beispiel Polieren, sollten nicht mit diesem Elektrowerkzeug durchgeführt werden.** Arbeiten, für die das Elektrowerkzeug nicht vorgesehen ist, führen möglicherweise zu einer Gefahr und verursachen Verletzungen.
3. **Verwenden Sie nur Zubehöre, die vom Hersteller des Geräts entwickelt oder von ihm ausdrücklich empfohlen wurden.** Nur weil Sie ein Zubehör an Ihrem Werkzeug befestigen können, bedeutet dies nicht dass Sie es auch sicher verwenden können.
4. **Die Nenn Drehzahl des Zubehörs muss mindestens der auf dem Elektrowerkzeug angegebenen Höchstzahl entsprechen.** Zubehör, das mit einer größeren Drehzahl als der eigenen Drehzahl betrieben wird, kann zerbrechen und auseinander fliegen.
5. **Außendurchmesser und Stärke des Zubehörs müssen innerhalb der Nennleistung Ihres Elektrowerkzeugs liegen.** Zubehör in falscher Größe kann nicht angemessen abgedeckt oder betrieben werden.
6. **Bei Gewindemontage muss das Zubehörteil auf das Gewinde der Schleifspindel passen. Bei Flanschmontage muss die Bohrung des Zubehörteils die richtige Größe für den Flansch besitzen.** Zubehörteile, die nicht den Montageteilen des Elektrowerkzeugs entsprechen, laufen exzentrisch, schwingen stark und führen zum Kontrollverlust.
7. **Verwenden Sie kein beschädigtes Zubehör. Überprüfen Sie vor jeder Verwendung das Zubehör, beispielsweise die Schleifscheiben auf Splitter und Risse, die Stützlager auf Risse, Abrisse oder übermäßigen Verschleiß, Drahtbürsten auf lose oder gebrochene Borsten.**

Falls das Elektrowerkzeug oder Zubehör zu Boden gefallen ist, überprüfen Sie es auf Beschädigungen und bauen ggf. ein unbeschädigtes Zubehörteil ein. Wenn Sie das Zubehör kontrolliert und eingesetzt haben, halten Sie und in der Nähe befindliche Personen sich außerhalb der Ebene des rotierenden Zubehörs auf und lassen Sie das Elektrowerkzeug eine Minute lang mit Höchstzahl laufen. Beschädigtes Zubehör zerbricht üblicherweise in dieser Testzeit.

8. **Tragen Sie eine persönliche Schutzausrüstung. Tragen Sie je nach Arbeitsaufgabe ein Gesichtsschild oder eine Schutzbrille. Soweit angemessen, tragen Sie Staubmaske, Gehörschutz, Schutzhandschuhe oder Spezialschürze, die kleine Schleif- und Materialpartikel von Ihnen fernhält.** Der Augenschutz muss umherfliegende Fremdkörper abhalten können, die bei verschiedenen Arbeiten entstehen. Die Staubmaske oder Atemschutzmaske muss Partikel herausfiltern können, die bei verschiedenen Arbeiten entstehen. Lange und intensive Lärmbelastung kann zu Hörverlust führen.
9. **Achten Sie darauf, dass Zuschauer den Sicherheitsabstand zum Arbeitsbereich einhalten. Jeder, der den Arbeitsbereich betritt, muss eine Schutzausrüstung tragen.** Splitter des Werkstücks oder eines zerbrochenen Zubehörteils können umherfliegen und zu Verletzungen auch außerhalb des eigentlichen Arbeitsbereichs führen.
10. **Halten Sie das Elektrowerkzeug nur an den isolierten Griffflächen, wenn Sie unter Bedingungen arbeiten, bei denen das Schneidwerkzeug versteckte Verkabelung oder das eigene Kabel berühren kann.** Bei Kontakt des Werkzeugs mit einem stromführenden Kabel wird der Strom an die Metallteile des Elektrowerkzeugs und dadurch an den Bediener weitergeleitet, und der Bediener erleidet einen Stromschlag.
11. **Halten Sie das Netzkabel von sich drehendem Zubehör fern.** Falls Sie die Kontrolle über das Elektrowerkzeug verlieren, kann das Netzkabel durchtrennt oder erfasst werden und Ihre Hand oder Arm kann in das sich drehende Zubehör geraten.
12. **Legen Sie das Elektrowerkzeug niemals ab, bevor das Einsatzwerkzeug völlig zum Stillstand gekommen ist.** Das sich drehende Zubehör könnte Kontakt zur Auflagefläche erhalten, sodass Sie die Kontrolle über das Elektrowerkzeug verlieren.
13. **Lassen Sie das Elektrowerkzeug nicht laufen, während Sie es tragen.** Ihre Kleidung kann durch zufälligen Kontakt mit dem sich drehenden Zubehör erfasst werden, und das Zubehör sich in Ihren Körper bohren.
14. **Reinigen Sie regelmäßig die Lüftungsschlitze Ihres Elektrowerkzeugs.** Der Motorventilator zieht Staub in das Gehäuse hinein und eine übermäßige Ansammlung von Metallspänen kann elektrische Gefahren verursachen.
15. **Betreiben Sie das Elektrowerkzeug nicht in der Nähe brennbarer Materialien.** Funken können diese Materialien entzünden.

16. **Verwenden Sie keine Zubehörteile, die flüssige Kühlmittel benötigen.** Die Verwendung von Wasser oder anderen flüssigen Kühlmitteln kann zu einem Stromschlag führen.

Rückschläge und zugehörige Warnhinweise

Ein Rückschlag ist eine plötzliche Reaktion einer verklemmten oder verfangenen rotierenden Schleifscheibe, des Stützlagerns, der Bürste oder anderen Zubehörs. Durch Verklemmen oder Verfangen kommt es zu einem plötzlichen Stillstand des rotierenden Zubehörs, sodass das Elektrowerkzeug in entgegengesetzte Rotationsrichtung des Zubehörs am Punkt des Festlaufens gezwungen wird.

Wird eine Trennscheibe beispielsweise durch das Werkstück verklemmt, kann die Kante, die in den Punkt des Verklemmens eindringt, in die Oberfläche des Materials eindringen, sodass die Scheibe ausschlägt. Die Scheibe springt entweder in Ihre Richtung oder vom Bediener weg, dies hängt von der Richtung der Scheibenbewegung am Punkt des Verklemmens ab. Unter diesen Umständen können Trennscheiben auch brechen.

Rückschläge werden durch eine falsche Handhabung des Elektrowerkzeugs und/oder unsachgemäße Bedienschritte oder -umstände verursacht und können durch die unten aufgeführten Maßnahmen vermieden werden.

a) **Halten Sie das Elektrowerkzeug stets mit beiden Händen gut fest, und halten Sie Ihren Körper und Ihre Arme so, dass Sie Rückschläge abwehren können. Verwenden Sie immer den Zusatzgriff, sofern vorhanden, um größtmögliche Kontrolle über Rückschlagkräfte oder Reaktionsmomente beim Hochlauf zu haben.** Die Bedienperson kann durch geeignete Vorsichtsmaßnahmen die Rückschlag- und Reaktionskräfte beherrschen.

b) **Bringen Sie Ihre Hand nie in die Nähe sich drehender Einsatzwerkzeuge.** Das Zubehör könnte über Ihre Hand zurückschlagen.

c) **Meiden Sie mit Ihrem Körper den Bereich, in den das Elektrowerkzeug bei einem Rückschlag bewegt wird.** Der Rückschlag treibt das Elektrowerkzeug in die Richtung entgegengesetzt zur Bewegung der Schleifscheibe an der Blockierstelle.

d) **Arbeiten Sie besonders vorsichtig im Bereich von Ecken, scharfen Kanten usw. Verhindern Sie, dass Einsatzwerkzeuge vom Werkstück zurückprallen und verklemmen.** Das rotierende Einsatzwerkzeug neigt bei Ecken, scharfen Kanten oder wenn es abprallt dazu, sich zu verklemmen. Dies verursacht einen Verlust der Kontrolle oder Rückschlag.

e) **Verwenden Sie kein Ketten- oder gezähntes Sägeblatt.** Solche Werkzeuge verursachen häufig einen Rückschlag oder den Verlust der Kontrolle über das Elektrowerkzeug.

Besondere Warnhinweise zum Schneiden und Trennschleifen:

a) **Verwenden Sie ausschließlich die für Ihr Elektrowerkzeug zugelassenen Schleifkörper und die für diese Schleifkörper vorgesehene Schutzhaube.** Schleifkörper, die nicht für das Elektrowerkzeug vorgesehen sind, können nicht ausreichend abgeschirmt werden und sind unsicher.

b) **Die Schleifoberfläche von gekröpften Schleifscheiben muss unterhalb der Ebene der Schutzhaube montiert werden.** Ein unsachgemäß montierter Schleifkörper, der über die Ebene der Schutzhaube hinausragt, kann nicht ausreichend geschützt werden.

c) **Zur optimalen Sicherheit muss die Schutzhaube sicher am Elektrowerkzeug angebracht und positioniert sein, sodass der kleinstmögliche Teil des Schleifkörpers in Richtung Bedienperson frei liegt.** Die Schutzabdeckung soll die Bedienperson vor Bruchstücken und zufälligem Kontakt mit dem Schleifkörper und Funken, die die Kleidung entzünden könnten, schützen.

d) **Die Schleifscheiben dürfen nur für die empfohlenen Arbeiten verwendet werden. Beispiel: Schleifen Sie nie mit der Seitenfläche einer Trennscheibe.** Trennscheiben sind zum Materialabtrag mit der Kante der Scheibe bestimmt. Durch seitliche Krafteinwirkung auf diese Schleifkörper können diese zerbrechen.

e) **Verwenden Sie immer unbeschädigte Spannflansche in der richtigen Größe und Form für die von Ihnen gewählte Schleifscheibe.** Geeignete Flansche stützen die Schleifscheibe und verringern so die Gefahr eines Schleifscheibenbruchs. Flansche für Trennscheiben unterscheiden sich möglicherweise von Flanschen für Schleifscheiben.

f) **Verwenden Sie keine abgenutzten Schleifscheiben von größeren Elektrowerkzeugen.** Schleifscheiben für größere Elektrowerkzeuge sind nicht für die höheren Drehzahlen von kleineren Elektrowerkzeugen ausgelegt und können brechen.

Weitere Sicherheitshinweise für das Trennschleifen:

a) **Klemmen Sie die Trennscheibe nicht fest und üben Sie keinen übermäßigen Druck aus. Führen Sie keine übermäßig tiefen Schnitte aus.** Eine Überlastung der Scheibe erhöht deren Beanspruchung und die Anfälligkeit zum Verkanten oder Blockieren und damit die Möglichkeit eines Rückschlags oder Schleifkörperbruchs.

b) **Meiden Sie den Bereich vor und hinter der rotierenden Trennscheibe.** Wenn sich die Scheibe während des Betriebs von Ihrem Körper wegbewegt, kann im Falle eines Rückschlags das Elektrowerkzeug mit der sich drehenden Scheibe direkt auf Sie zugeschleudert werden.

c) **Falls die Trennscheibe verklemmt oder Sie die Arbeit unterbrechen, schalten Sie das Elektrowerkzeug aus und halten Sie es ruhig, bis die Scheibe zum Stillstand gekommen ist. Versuchen Sie nie, die noch laufende Trennscheibe aus dem Schnitt zu ziehen, sonst kann ein Rückschlag erfolgen.** Überprüfen Sie die Ursache für das Verkanten der Scheibe und ergreifen Sie Korrekturmaßnahmen.

d) **Starten Sie den Schnittvorgang nicht im Werkstück. Lassen Sie die Trennscheibe erst ihre volle Drehzahl erreichen, bevor Sie den Schnitt vorsichtig fortsetzen.** Die Scheibe kann verkanten, hochspringen oder zurückschlagen, wenn das Werkzeug im Werkstück eingeschaltet wird.

e) **Stützen Sie Platten oder große Werkstücke ab, um das Risiko eines Rückschlags durch eine**

eingeklemmte Trennscheibe zu vermindern. Große Werkstücke können sich unter ihrem eigenen Gewicht durchbiegen. Bringen Sie Stützen nahe der Schnittlinie und der Werkstückkante unter dem Werkstück zu beiden Seiten der Scheibe an.

f) Seien Sie besonders vorsichtig, wenn Sie einen „Tauschnitt“ in Wände oder andere nicht einsehbare Bereiche ausführen. Die eintauchende Trennscheibe kann beim Schneiden in Gas- oder Wasserleitungen, elektrische Leitungen oder andere Objekte einen Rückschlag verursachen.

Spezifische Sicherheitshinweise für das Schmirgeln:

a) Verwenden Sie kein zu großes Schmirgelscheibenpapier. Befolgen Sie bei der Auswahl des Schmirgelpapiers die Empfehlungen der Hersteller. Zu großes Schmirgelpapier, das über den Schleifteller hinausreicht, stellt eine Verletzungsgefahr dar und kann zum Verfangen, Abriss der Scheibe oder zum Rückschlagen führen.

Spezifische Sicherheitshinweise für das

Drahtbürsten:

a) Beachten Sie, dass die Drahtbürste auch während des üblichen Gebrauchs Drahtstücke verliert. Überlasten Sie die Drähte nicht durch zu hohen Anpressdruck. Die Drahtborsten können leicht in lockere Kleidung und/oder die Haut eindringen.

b) Wird eine Schutzhaube empfohlen, verhindern Sie, dass sich Schutzhaube und Drahtbürste berühren können. Auf Grund der Last und der Zentrifugalkräfte kann sich der Durchmesser der Drahtbürste vergrößern.

Zusätzliche Sicherheitshinweise:

- 17. Verwenden Sie nur glasfaserverstärkte Scheiben als gekröpfte Trennschleifscheiben.**
- 18. Verwenden Sie mit diesem Schleifwerkzeug NIEMALS Steinschleifköpfe.** Dieses Schleifwerkzeug ist nicht für diese Scheibentypen ausgelegt und die Verwendung dieser Scheiben kann zu schweren Verletzungen führen.
- 19. Achten Sie sorgfältig darauf, dass Spindel, Flansch (insbesondere die Ansatzfläche) oder Sicherungsmutter nicht beschädigt werden.** Eine Beschädigung dieser Teile kann zu einem Scheibenbruch führen.
- 20. Stellen Sie sicher, dass die Trennscheibe das Werkstück nicht berührt, bevor das Werkzeug eingeschaltet wurde.**
- 21. Bevor Sie das Werkzeug auf das zu bearbeitende Werkstück ansetzen, lassen Sie es einige Zeit ohne Last laufen.** Achten Sie auf Vibrationen und Schlägen; beides gibt Aufschluss über eine schlecht ausgewuchtete Scheibe oder kann auf einen nicht fachgerechten Einbau deuten.
- 22. Verwenden Sie für Schleifarbeiten nur die vorgeschriebene Fläche der Schleifscheibe.**
- 23. Lassen Sie das Werkzeug nicht unbeaufsichtigt eingeschaltet.** Das Werkzeug darf nur dann eingeschaltet sein, wenn es festgehalten wird.
- 24. Vermeiden Sie eine Berührung des Werkstücks unmittelbar nach der Bearbeitung, da es dann noch sehr heiß ist und Hautverbrennungen verursachen kann.**

- 25. Befolgen Sie die Anweisungen des Herstellers zur korrekten Montage und Verwendung von Trennscheiben.** Behandeln und lagern Sie Trennscheiben mit Sorgfalt.
- 26. Verwenden Sie keine separaten Reduzierbuchsen oder Adapter zur Anpassung von Schleifscheiben mit großem Durchmesser.**
- 27. Verwenden Sie nur die für dieses Werkzeug vorgeschriebenen Flansche.**
- 28. Wenn eine Trennscheibe mit Gewindebohrung am Werkzeug montiert werden soll, achten Sie darauf, dass ihr Gewinde tief genug für die Spindellänge ist.**
- 29. Vergewissern Sie sich, dass das Werkstück sicher eingespannt ist.**
- 30. Beachten Sie, dass sich die Schleifscheibe nach dem Ausschalten der Maschine noch weiterdreht.**
- 31. Falls der Arbeitsplatz sehr heiß, feucht oder durch leitfähigen Staub stark verschmutzt ist, verwenden Sie einen Kurzschlusschalter (30 mA) zum Schutz des Bedieners.**
- 32. Verwenden Sie dieses Werkzeug nicht zum Schneiden von asbesthaltigen Materialien.**
- 33. Verwenden Sie bei Arbeiten mit der Trennscheibe immer eine gesetzlich vorgeschriebene Staubsammelhaube.**
- 34. Die Trennscheiben dürfen keinem seitlichen Druck ausgesetzt werden.**

BEWAHREN SIE DIESE ANLEITUNG SORGFÄLTIG AUF.

⚠️ WARNUNG:

Lassen Sie sich **NIE** durch Bequemlichkeit oder (aus fortwährendem Gebrauch gewonnener) Vertrautheit mit dem Werkzeug dazu verleiten, die Sicherheitsregeln für das Werkzeug zu missachten. Bei **MISSBRÄUCLICHER** Verwendung des Werkzeugs oder Missachtung der in diesem Handbuch enthaltenen Sicherheitshinweise kann es zu schweren Verletzungen kommen.

FUNKTIONSBESCHREIBUNG

⚠️ ACHTUNG:

- Schalten Sie das Werkzeug stets aus und ziehen Sie den Stecker, bevor Sie Einstellungen am Werkzeug oder eine Funktionsprüfung des Werkzeugs vornehmen.

Spindelarreterung

⚠️ ACHTUNG:

- Betätigen Sie die Spindelarreterung niemals bei rotierender Spindel. Andernfalls kann das Werkzeug beschädigt werden. (Abb. 1)

Drücken Sie die Spindelarreterung, um die Spindel beim Montieren oder Demontieren von Zubehör zu blockieren.

Bedienung des Schalters

⚠️ ACHTUNG:

- Achten Sie vor dem Einstecken des Werkzeug-Netzsteckers darauf, dass sich der Ein/Aus-Schalter korrekt bedienen lässt und beim Loslassen in die Position „OFF“ (AUS) zurückkehrt.

- Um die Bedienung bei längerem Gebrauch zu vereinfachen, kann der Schalter in der Stellung „ON“ (EIN) arretiert werden. Seien Sie vorsichtig, wenn der Schalter des Werkzeugs in der Position „ON“ (EIN) arretiert ist, und halten Sie das Werkzeug zu jeder Zeit gut fest. **(Abb. 2)**

Für Werkzeug mit Ausschaltsperr

Zum Einschalten des Werkzeugs betätigen Sie einfach den Ein/Aus-Schalter (in Richtung B). Lassen Sie zum Ausschalten des Werkzeugs den Ein/Aus-Schalter los. Zum Einschalten des Dauerbetriebs betätigen Sie den Ein/Aus-Schalter (in Richtung B) und drücken Sie die Einschaltsperr (in Richtung A). Zur Aufhebung der Arretierung müssen Sie den Ein/Aus-Schalter bis zum Anschlag betätigen (in Richtung B) und anschließend loslassen.

Für Werkzeug mit Einschaltsperr

Zur Verhinderung der versehentlichen Betätigung des Ein/Aus-Schalters kann das Werkzeug mit einer Schaltersperre ausgestattet sein. Drücken Sie zum Starten des Werkzeugs die Arretiertaste (in Richtung A) und betätigen Sie den Ein/Ausschalter (in Richtung B). Lassen Sie zum Ausschalten des Werkzeugs den Ein/Aus-Schalter los.

Für Werkzeug mit Aus- und Einschaltsperr

Zur Verhinderung der versehentlichen Betätigung des Ein/Aus-Schalters kann das Werkzeug mit einer Schaltersperre ausgestattet sein. Drücken Sie zum Starten des Werkzeugs die Arretiertaste (in Richtung A) und betätigen Sie den Ein/Ausschalter (in Richtung B). Lassen Sie zum Ausschalten des Werkzeugs den Ein/Aus-Schalter los. Drücken Sie für den Dauerbetrieb des Werkzeugs die Arretiertaste (in Richtung A), betätigen Sie den Ein/Ausschalter (in Richtung B) und ziehen Sie dann die Arretiertaste (in Richtung C). Zur Aufhebung der Arretierung müssen Sie den Ein/Aus-Schalter bis zum Anschlag betätigen (in Richtung B) und anschließend loslassen.

Anzeigenleuchte (Für Modell GA7050R/GA9050R) (Abb. 3)

Die Anzeige leuchtet grün, sobald das Werkzeug an die Stromversorgung angeschlossen ist. Wenn die Anzeige nicht leuchtet, ist möglicherweise das Netzkabel oder der Regler defekt. Wenn die Anzeige leuchtet und das Werkzeug nicht startet, obwohl es eingeschaltet wird, können die Kohlebürsten verbraucht sein, oder der Motor oder der Schalter ist defekt.

Sicherung vor unbeabsichtigtem Neustart

Auch wenn die Arretiertaste den Ein/Aus-Schalter gedrückt hält (Einschaltposition), wird das Werkzeug nicht erneut gestartet, wenn das Werkzeug an die Stromversorgung angeschlossen wird. Zu diesem Zeitpunkt flackert die Anzeige rot und zeigt die Aktivierung des Schutzgeräts zur Verhinderung eines unbeabsichtigten Neustarts an. Zum Aufheben der Sicherung vor unbeabsichtigtem Neustart betätigen Sie den Auslöseschalter bis zum Anschlag und lassen Sie ihn anschließend los.

Soft-Start-Funktion

Diese Modelle laufen nach dem Einschalten langsam an. Diese Soft-Start-Funktion gewährleistet einen

konstanteren Betrieb und weniger Anstrengung für den Bediener.

MONTAGE

⚠️ ACHTUNG:

- Schalten Sie das Werkzeug stets aus und ziehen Sie den Netzstecker, bevor Sie irgendwelche Arbeiten am Werkzeug durchführen.

Einsetzen des Seitengriffs (Handgriff)

⚠️ ACHTUNG:

- Vergewissern Sie sich vor dem Betrieb stets, dass der Seitengriff einwandfrei montiert ist. **(Abb. 4)**

Schrauben Sie den Seitengriff an der in der Abbildung gezeigten Position am Werkzeug fest.

Montage und Demontage der Schutzhaube (für gekröpfte Scheiben, Multi-Scheiben, Drahrundbürste/Trennschleifscheiben, Diamantscheiben)

⚠️ WARNUNG:

- Bei Verwendung einer gekröpften Trennschleifscheibe/Multis Scheibe, Flexscheibe oder Drahrundbürste muss die Schutzhaube so am Werkzeug angebracht werden, dass die geschlossene Seite stets in Richtung Bediener zeigt.
- Vergewissern Sie sich bei Verwendung einer Trennschleifscheibe/Diamantscheibe, dass Sie die spezielle Schutzhaube für diese Trennscheiben verwenden. (In Europa: Bei Verwendung einer Diamantscheibe kann der gewöhnliche Schutz verwendet werden.)

Für Werkzeug mit Schutzhaube und Sicherungsschraube (Abb. 5)

Montieren Sie die Schutzhaube so, dass der Vorsprung am Schutzhaubenring an der Nut im Lagergehäuse ausgerichtet ist. Drehen Sie dann die Schutzhaube um 180 Grad gegen den Uhrzeigersinn. Achten Sie darauf, die Schraube fest anzuziehen.

Zum Demontieren der Schutzhaube befolgen Sie die Vorgehensweise zum Einbauen in umgekehrter Reihenfolge.

Für Werkzeug mit Schutzhaube und Klemmhebel (Abbn. 6 und 7)

Lösen Sie den Hebel an der Schutzhaube. Montieren Sie die Schutzhaube so, dass der Vorsprung am Schutzhaubenring an der Nut im Lagergehäuse ausgerichtet ist. Drehen Sie dann die Schutzhaube, wie in der Abbildung dargestellt, gegen den Uhrzeigersinn. Ziehen Sie den Hebel fest, um die Schutzhaube zu befestigen. Falls der Hebel zu fest oder zu lose ist, um die Schutzhaube zu sichern, lösen oder ziehen Sie die Mutter fest an, um die Spannung des Schutzhaubenrings einzustellen.

Zum Demontieren der Schutzhaube befolgen Sie die Vorgehensweise zum Einbauen in umgekehrter Reihenfolge.

Montage und Demontage der gekröpften Trennschleifscheibe/Multischiebe (optionales Zubehör)

WARNUNG:

- Wenn die gekröpfte Trennschleifscheibe/Multischiebe am Werkzeug befestigt ist, muss stets die mitgelieferte Schutzhaube verwendet werden. Die Scheibe kann während ihres Gebrauchs zerbrechen. Durch die Schutzhaube wird das Risiko von Verletzungen verringert. **(Abb. 8)**

Setzen Sie den Innenflansch auf die Spindel. Setzen Sie die Trenn-/Schleifscheibe auf den Innenflansch, und schrauben Sie die Sicherungsmutter auf die Spindel.

WARNUNG:

- Verwenden Sie niemals eine Schleifscheibe mit einer Dicke über 6,5 mm.

Super-Flansch

Die Modelle mit der Kennzeichnung F sind serienmäßig mit einem Super-Flansch ausgestattet. Zum Lösen der Flanschmutter benötigen Sie nur ca. 1/3 des Kraftaufwands im Vergleich zu einem herkömmlichen Flansch.

HINWEIS:

- Nur für Werkzeuge mit Spindelgewinde M14

Für Australien und Neuseeland (Abb. 9)

Setzen Sie den Innenflansch auf die Spindel. Setzen Sie die Trenn-/Schleifscheibe auf den Innenflansch und ziehen Sie die Sicherungsmutter so an, dass ihr Vorsprung nach unten zeigt (in Richtung der Trennscheibe).

Drücken Sie zum Anziehen der Sicherungsmutter die Spindelarretierung fest, um die Spindel zu blockieren; ziehen Sie dann die Mutter mit dem Sicherungsmutterschlüssel im Uhrzeigersinn fest an. **(Abb. 10)**

Zum Entnehmen der Scheibe befolgen Sie die Vorgehensweise zum Einbauen in umgekehrter Reihenfolge.

Montage und Demontage der Schleifscheibe (optionales Zubehör)

HINWEIS:

- Verwenden Sie nur das in diesem Handbuch angegebene Schleifzubehör. Es muss separat erworben werden. **(Abb. 11)**

Setzen Sie den Gummiteller auf die Spindel. Setzen Sie die Scheibe auf den Gummiteller, und schrauben Sie die Sicherungsmutter auf die Spindel. Drücken Sie zum Anziehen der Sicherungsmutter die Spindelarretierung fest, um die Spindel zu blockieren; ziehen Sie dann die Mutter mit dem Sicherungsmutterschlüssel im Uhrzeigersinn fest an.

Zum Entnehmen der Scheibe befolgen Sie die Vorgehensweise zum Einbauen in umgekehrter Reihenfolge.

Montage und Demontage des Ezynut-Flanschs (optionales Zubehör)

ACHTUNG:

- Verwenden Sie den Ezynut-Flansch nicht mit einem Super-Flansch oder Winkelschleifer mit einem "F" am Ende der Modellnummer. Diese Flansche sind so dick, dass nicht das gesamte Gewinde von der Spindel aufgenommen werden kann. **(Abb. 12)**

Montieren Sie Innenflansch, Schleifscheibe/Multischiebe und Ezynut-Flansch so auf die Spindel, dass das Makita-Logo auf dem Ezynut-Flansch nach außen zeigt.

(Abb. 13)

Drücken Sie die Spindelarretierung fest und ziehen Sie den Ezynut-Flansch fest, indem Sie die Schleifscheibe/Multischiebe so weit wie möglich im Uhrzeigersinn drehen.

Drehen Sie den Außenring des Ezynut-Flansches zum Lösen entgegen dem Uhrzeigersinn. **(Abbn. 14 und 15)**

HINWEIS:

- Der Ezynut-Flansch kann gelöst werden, wenn der Pfeil auf die Kerbe zeigt. Andernfalls benötigen Sie zum Lösen einen Mutternschlüssel für die Sicherungsmutter. Setzen Sie einen Bolzen des Mutternschlüssels in ein Loch ein und drehen Sie den Ezynut-Flansch entgegen dem Uhrzeigersinn.
- Nur für Werkzeuge mit Spindelgewinde M14

BETRIEB

WARNUNG:

- Das Werkzeug darf auf keinen Fall gewaltsam angedrückt werden. Das Eigengewicht des Werkzeugs übt ausreichenden Druck aus. Gewaltanwendung und übermäßiger Druck können zu einem gefährlichen Schleifscheibenbruch führen.
- Wechseln Sie die Schleifscheibe IMMER aus, falls das Werkzeug während der Arbeit fallen gelassen wurde.
- Eine Schleif- oder Trennscheibe darf NIEMALS gegen das Werkstück geschlagen oder gestoßen werden.
- Achten Sie besonders beim Bearbeiten von Ecken, scharfen Kanten usw. darauf, dass die Schleifscheibe nicht springt oder hängen bleibt. Dies könnte den Verlust der Kontrolle und Rückschläge verursachen.
- Verwenden Sie das Werkzeug NIEMALS mit Holzschneide- oder anderen Sägeblättern. Solche Sägeblätter verursachen bei Verwendung an einem Schleifwerkzeug häufiges Rückschlagen und Verlust der Kontrolle, was zu Verletzungen führen kann.

ACHTUNG:

- Schalten Sie das Werkzeug niemals ein, wenn es in Kontakt mit dem Werkstück steht, da dies eine Verletzungsgefahr für den Bediener darstellt.
- Tragen Sie bei der Arbeit stets eine Schutzbrille und einen Gesichtsschutz.
- Schalten Sie das Werkzeug nach der Arbeit stets aus, und warten Sie, bis die Scheibe zum völligen Stillstand gekommen ist, bevor Sie das Werkzeug ablegen.

Schleifen und Schmirgeln (Abb. 16)

Halten Sie das Werkzeug IMMER mit einer Hand am hinteren Griff und mit der anderen am Seitengriff fest.

Schalten Sie das Werkzeug ein, und setzen Sie dann die Trenn- oder Schleifscheibe an das Werkstück an. Halten Sie die Trenn- oder Schleifscheibe im Allgemeinen in einem Winkel von etwa 15 Grad zur Werkstoffoberfläche.

Bewegen Sie die Schleifmaschine beim Einschleifen einer neuen Schleifscheibe nicht in Richtung B, weil die Schleifscheibe sonst in das Werkstück einschneidet. Sobald die Schleifscheibenkante durch Gebrauch abgerundet ist, kann die Schleifscheibe sowohl in Richtung A als auch in Richtung B bewegt werden.

Betrieb mit einer Topfdrahtbürste (optionales Zubehör)

⚠️ ACHTUNG:

- Überprüfen Sie die Funktionstüchtigkeit der Bürste, indem Sie das Werkzeug ohne Last laufen lassen. Stellen Sie sicher, dass sich niemand vor oder in einer Linie mit der Bürste befindet.
- Verwenden Sie niemals eine Bürste, die beschädigt oder aus dem Gleichgewicht ist. Die Verwendung einer beschädigten Bürste erhöht das Verletzungsrisiko durch den Kontakt mit gebrochenen Bürstendrähten. (Abb. 17)

Trennen Sie das Werkzeug von der Stromversorgung und drehen Sie es um, um einen einfachen Zugang zur Spindel zu ermöglichen. Bauen Sie alle Zubehörteile von der Spindel ab. Montieren Sie die Topfdrahtbürste auf die Spindel und ziehen Sie diese mit dem mitgelieferten Schlüssel fest. Vermeiden Sie bei Verwendung der Bürste, übermäßigen Druck anzuwenden, denn dadurch werden die Drähte verbogen und können vorzeitig brechen.

Betrieb mit einer Drahrundbürste (optionales Zubehör)

⚠️ ACHTUNG:

- Überprüfen Sie die Funktionstüchtigkeit der Drahrundbürste, indem Sie das Werkzeug ohne Last laufen lassen. Stellen Sie sicher, dass sich niemand vor oder in einer Linie mit der Drahrundbürste befindet.
- Verwenden Sie niemals eine Drahrundbürste, die beschädigt oder aus dem Gleichgewicht ist. Die Verwendung einer beschädigten Drahrundbürste erhöht das Verletzungsrisiko durch den Kontakt mit gebrochenen Bürstendrähten.
- Verwenden Sie mit Drahrundbürsten STETS einen Schutz, wobei der Scheibendurchmesser in den Schutz hineinpassen muss. Die Scheibe kann während ihres Gebrauchs zerbrechen. Durch die Schutzhaube wird das Risiko von Verletzungen verringert. (Abb. 18)

Trennen Sie das Werkzeug von der Stromversorgung und drehen Sie es um, um einen einfachen Zugang zur Spindel zu ermöglichen. Bauen Sie alle Zubehörteile von der Spindel ab. Drehen Sie die Drahrundbürste auf die Spindel und ziehen Sie diese mit den Schlüsseln fest. Vermeiden Sie bei Verwendung der Drahrundbürste, übermäßigen Druck anzuwenden, denn dadurch werden die Drähte verbogen und können vorzeitig brechen.

Betrieb mit einer Trennschleifscheibe/Diamantscheibe (optionales Zubehör)

⚠️ WARNUNG:

- Vergewissern Sie sich bei Verwendung einer Trennschleifscheibe/Diamantscheibe, dass Sie die spezielle Schutzhaube für diese Trennscheiben verwenden. (In Europa: Bei Verwendung einer Diamantscheibe kann der gewöhnliche Schutz verwendet werden.)
- Verwenden Sie eine Trennscheibe NIEMALS zum Schleifen von Flächen.
- Achten Sie darauf, dass die Scheibe nicht festklemmt, und üben Sie keinen übermäßigen Druck aus. Führen Sie keine übermäßig tiefen Schnitte aus. Eine Überlastung der Scheibe erhöht die Belastung und die Anfälligkeit zum Verwinden oder Verklemmen der Scheibe im Schnitt, aber auch die Möglichkeit des Rückschlagens oder eines Scheibenbruchs, oder es kommt zu einer Überhitzung des Motors.
- Starten Sie den Schnittvorgang nicht im Werkstück. Warten Sie, bis die Scheibe mit voller Drehzahl rotiert und führen Sie die Scheibe vorsichtig in den Schnitt ein, indem Sie das Werkzeug über die Werkstückoberfläche führen. Die Scheibe kann sich verkanten, hochspringen oder zurückschlagen, wenn das Werkzeug im Werkstück eingeschaltet wird.
- Ändern Sie während des Schnittvorgangs niemals den Winkel der Scheibe. Das Aufbringen eines seitlichen Drucks auf die Trennscheibe (wie beim Schleifen von Flächen) kann zum Bersten oder Brechen der Scheibe und dadurch zu schweren Verletzungen führen.
- Eine Diamantscheibe muss senkrecht zum zu schneidenden Material geführt werden.

Setzen Sie den Innenflansch auf die Spindel. Setzen Sie die Trenn-/Schleifscheibe auf den Innenflansch, und schrauben Sie die Sicherungsmutter auf die Spindel. (Abb. 19)

Wenn Sie eine Diamantscheibe oder eine Trennschleifscheibe mit einer Dicke von 7 mm oder mehr verwenden, montieren Sie die Sicherungsmutter mit der Zapfenmitte (Vorsprung) für das Scheibenbohrloch in Richtung der Scheibe.

Für Australien und Neuseeland

Montieren oder Demontieren einer Trennschleifscheibe/Diamantscheibe (optionales Zubehör) (Abb. 20)

WARTUNG

⚠️ ACHTUNG:

- Schalten Sie das Werkzeug aus und ziehen Sie immer den Netzstecker, bevor Sie Kontrollen oder Wartungsarbeiten am Werkzeug vornehmen.
- Verwenden Sie zum Reinigen niemals Kraftstoffe, Benzin, Verdünnern, Alkohol oder ähnliches. Dies kann zu Verfärbungen, Verformungen oder Rissen führen. Halten Sie das Werkzeug und die Belüftungsschlitze des Werkzeugs stets sauber. Reinigen Sie die Ventilationsöffnungen des Werkzeugs regelmäßig oder bei Beginn einer Verstopfung. (Abb. 21)

Ersetzen der Kohlebürsten (Abb. 22)

Wenn die Isolierspitze aus Kunstharz innerhalb der Kohlebürste mit dem Gleichrichter in Kontakt gerät, wird der Motor automatisch ausgeschaltet. Wenn dies der Fall ist, sollten beide Kohlebürsten ersetzt werden. Halten Sie die Kohlebürsten sauber und sorgen Sie dafür, dass sie locker in den Halterungen liegen. Beide Kohlebürsten sollten gleichzeitig ersetzt werden. Verwenden Sie nur identische Kohlebürsten.

Nehmen Sie die Kappen der Bürstenhalter mit Hilfe eines Schraubendrehers ab. Entnehmen Sie die verbrauchten Kohlebürsten, setzen Sie neue Bürsten ein und bringen Sie die Bürstenhalterkappen wieder fest an. **(Abb. 23)**

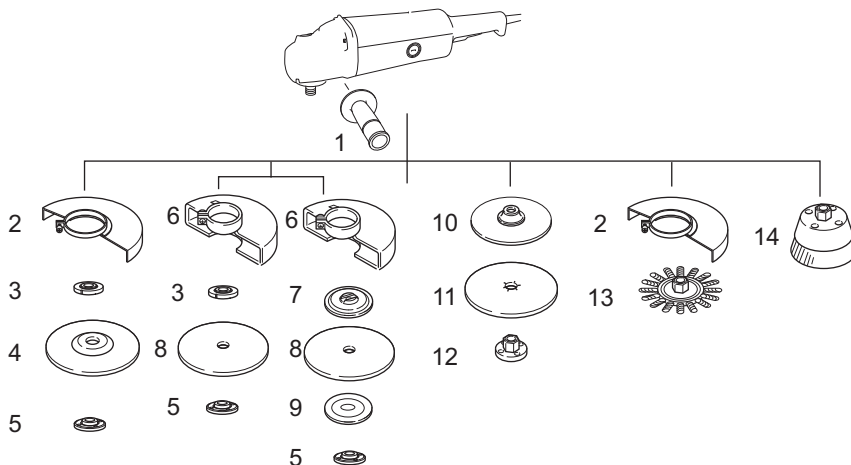
Zur Gewährleistung von SICHERHEIT und ZUVERLÄSSIGKEIT des Produkts sollten Reparaturen, Wartungsarbeiten und Einstellungen nur durch von Makita autorisierte Servicecenter durchgeführt und ausschließlich Makita-Ersatzteile verwendet werden.

SONDERZUBEHÖR

ACHTUNG:

- Für das in diesem Handbuch beschriebene Makita-Gerät werden die folgenden Zubehör- und Zusatzteile empfohlen. Bei Verwendung anderer Zubehör- und Zusatzteile kann es zu Verletzungen kommen. Verwenden Sie Zubehör- und Zusatzteile nur für den vorgesehenen Zweck.

Informationen zu diesem Zubehör erhalten Sie von Ihrem Makita-Servicecenter.



| | |
|----|--|
| 1 | Seitengriff |
| 2 | Schutzhaube für gekrüpfte Trennschleifscheibe / Multi-Scheibe / Drahrundbürste |
| 3 | Innenflansch / Super-Flansch ^{*1 *2} |
| 4 | Gekrüpfte Trennschleifscheibe / Multischeibe |
| 5 | Sicherungsmutter / Ezynut-Flansch ^{*1 *2} |
| 6 | Schutzhaube für Trennschleifscheibe / Diamantscheibe ^{*3} |
| 7 | Innenflansch 78 (nur Australien und Neuseeland) ^{*4} |
| 8 | Trennschleifscheibe / Diamantscheibe |
| 9 | Außenflansch 78 (nur Australien und Neuseeland) ^{*4} |
| 10 | Gummiteller |
| 11 | Schleifscheibe |
| 12 | Schmirgel-Sicherungsmutter |
| 13 | Drahrundbürste |
| 14 | Topfdrahtbürste |
| - | Sicherungsmutternschlüssel |
| - | Staubfänger |

*1 Nur für Werkzeuge mit Spindelgewinde M14.

*2 Verwenden Sie Super- und Ezynut-Flansch nicht zusammen.

*3 In einigen europäischen Ländern: Bei Verwendung einer Diamantscheibe kann der gewöhnliche Schutz statt des Spezialschutzes verwendet werden, der beide Seiten der Scheibe abdeckt. Halten Sie die örtlich geltenden Bestimmungen ein.

*4 Verwenden Sie Innenflansch 78 und Außenflansch 78 zusammen. (Nur Australien und Neuseeland)

013353

HINWEIS:

- Einige der in der Liste aufgeführten Elemente sind dem Werkzeugpaket als Standardzubehör beigelegt. Diese können in den einzelnen Ländern voneinander abweichen.

Schallpegel

ENG905-1

Typischer A-bewerteter Schallpegel nach EN60745:

Modell GA7050, GA7050R, GA9050, GA9050R

Schalldruckpegel (L_{pA}): 94 dB (A)

Schallleistungspegel (L_{WA}): 105 dB (A)

Abweichung (K): 3 dB (A)

Tragen Sie Gehörschutz.

Schwingung

ENG900-1

Schwingungsgesamtwerte (Vektorsumme dreier Achsen) nach EN60745:

Modell GA7050, GA7050R

Arbeitsmodus: Planschleifen

Schwingungsbelastung ($a_{h,AG}$): 6,5 m/s²

Abweichung (K): 1,5 m/s²

Arbeitsmodus: Schleifen mit Tellerschleifer

Schwingungsbelastung ($a_{h,DS}$): 4,0 m/s²

Abweichung (K): 1,5 m/s²

Modell GA9050, GA9050R

Arbeitsmodus: Planschleifen

Schwingungsbelastung ($a_{h,AG}$): 5,5 m/s²

Abweichung (K): 1,5 m/s²

Arbeitsmodus: Schleifen mit Tellerschleifer

Schwingungsbelastung ($a_{h,DS}$): 2,5 m/s²

Abweichung (K): 1,5 m/s²

ENG902-1

- Der hier angegebene Wert für die erzeugten Schwingungen wurde gemäß dem genormten Testverfahren ermittelt und kann als Vergleich zu anderen Werkzeugen herangezogen werden.
- Der angegebene Wert für die erzeugten Schwingungen ist außerdem für eine vorbeugende Bewertung der Belastung zu verwenden.
- Der angegebene Wert für die erzeugten Schwingungen gilt, wenn das Elektrowerkzeug für den vorgesehenen Zweck verwendet wird. Wenn das Werkzeug für andere Zwecke verwendet wird, kann der Wert für die Schwingungsbelastung jedoch von dem hier aufgeführten Wert abweichen.

WARNUNG:

- Die Schwingungsbelastung kann bei tatsächlichem Gebrauch des Elektrowerkzeugs in Abhängigkeit von der Handhabung des Elektrowerkzeugs von dem hier aufgeführten Wert abweichen.
- Stellen Sie sicher, dass Schutzmaßnahmen für den Bediener getroffen werden, die auf den unter den tatsächlichen Arbeitsbedingungen zu erwartenden Belastungen beruhen (beziehen Sie alle Bestandteile des Arbeitsablaufs ein, also zusätzlich zu den Arbeitszeiten auch Zeiten, in denen das Werkzeug ausgeschaltet ist oder ohne Last läuft).

Nur für europäische Länder

ENH101-17

EG-Konformitätserklärung

Makita erklärt, dass die nachfolgende(n) Maschine(n):

Bezeichnung der Maschine(n):

Winkelschleifer

Nummer/Typ des Modells: GA7050, GA7050R, GA9050, GA9050R

den folgenden Richtlinien der Europäischen Union

genügt/genügen:

2006/42/EG

Sie werden gemäß den folgenden Standards oder

Normen gefertigt:

EN60745

Die technischen Unterlagen gemäß 2006/42/EG sind erhältlich von:

Makita, Jan-Baptist Vinkstraat 2, 3070, Belgien

31. 12. 2013



Yasushi Fukaya

Direktor

Makita, Jan-Baptist Vinkstraat 2, 3070, Belgien

ITALIANO (Istruzioni originali)

Spiegazione della vista generale

- | | | |
|---------------------------------|---|--|
| 1. Blocco dell'albero | 14. Chiave del controdatto | 25. Protezione per disco da taglio abrasivo/disco diamantato |
| 2. Interruttore | 15. Disco abrasivo | 26. Flangia esterna 78 |
| 3. Levetta di blocco | 16. Gommino | 27. Flangia interna 78 |
| 4. Spia luminosa | 17. Ezynut | 28. Apertura di ventilazione |
| 5. Protezione del disco | 18. Disco abrasivo/multidisco | 29. Apertura di aspirazione |
| 6. Vite | 19. Mandrino | 30. Commutatore |
| 7. Alloggiamento del cuscinetto | 20. Freccia | 31. Punta isolante |
| 8. Dado | 21. Tacca | 32. Spazzola di carbone |
| 9. Leva | 22. Spazzola metallica | 33. Coperchio portaspazzola |
| 10. Controdado | 23. Spazzola per disco a raggi | 34. Cacciavite |
| 11. Disco con centro depresso | 24. Disco da taglio abrasivo/disco diamantato | |
| 12. Flangia interna | | |
| 13. Superflangia | | |

CARATTERISTICHE TECNICHE

| Modello | GA7050 | GA7050R | GA9050 | GA9050R |
|--|-------------------------------------|-----------------------------|-----------------------------|-----------------------------|
| Diametro del disco con centro depresso | 180 mm | 180 mm | 230 mm | 230 mm |
| Spessore massimo del disco | 6,5 mm | 6,5 mm | 6,5 mm | 6,5 mm |
| Filettatura del mandrino | M14 o 5/8" (specifico per il paese) | | | |
| Velocità a vuoto (n_0)/ Velocità nominale (n) | 8.500 (min^{-1}) | 8.500 (min^{-1}) | 6.600 (min^{-1}) | 6.600 (min^{-1}) |
| Lunghezza totale | 432 mm | 455 mm | 432 mm | 455 mm |
| Peso netto | 4,5 kg | 4,6 kg | 4,7 kg | 4,8 kg |
| Classe di sicurezza | II/II | | | |

- Le caratteristiche tecniche riportate di seguito sono soggette a modifiche senza preavviso in virtù del nostro programma continuo di ricerca e sviluppo.
- Le caratteristiche tecniche possono differire da paese a paese.
- Peso determinato in conformità con la EPTA-Procedure 01/2003

Simboli

END20-8

Il seguente elenco riporta i simboli utilizzati per questo utensile. È importante comprenderne il significato prima di utilizzare l'utensile.



..... Leggere il manuale di istruzioni.



..... ISOLAMENTO DOPPIO



..... Indossare gli occhiali di protezione.



..... Solo per Paesi UE
Non gettare le apparecchiature elettriche tra i rifiuti domestici. Secondo la Direttiva Europea sui rifiuti di apparecchiature elettriche ed elettroniche e la sua attuazione in conformità alle norme nazionali, le apparecchiature elettriche esauste devono essere raccolte separatamente, al fine di essere riciclate in modo eco-compatibile.

Uso previsto

ENE048-1

L'utensile deve essere utilizzato per la smerigliatura, la carteggiatura e il taglio di metalli e pietre senza l'uso di acqua.

Alimentazione

ENF002-2

L'utensile deve essere collegato a una presa di corrente con la stessa tensione di quella indicata sulla targhetta e può funzionare soltanto con corrente alternata monofase. L'utensile è dotato di doppio isolamento, pertanto può essere usato anche con prese di corrente sprovviste della messa a terra.

Per il modello GA7050, GA9050

ENF100-1

Per reti elettriche a bassa tensione tra 220 V e 250 V.

L'accensione e lo spegnimento di apparecchiature elettriche provoca oscillazioni della tensione. Il funzionamento del presente dispositivo in condizioni diverse da quelle consigliate può provocare interferenze nel funzionamento di altre apparecchiature. Non dovrebbero presentarsi problemi con un'impedenza di rete pari o inferiore a 0,22 Ohm. La presa di corrente a cui viene collegato il presente dispositivo deve essere protetta da un fusibile o da un interruttore di circuito di protezione con ritardo di scatto lento.

Avvertenze generali di sicurezza per l'uso dell'utensile

GEA010-1

⚠ AVVERTENZA Leggere attentamente tutte le avvertenze di sicurezza e le istruzioni. La mancata osservanza delle istruzioni e delle avvertenze riportate di seguito potrebbe provocare scosse elettriche, incendi e/o lesioni gravi.

Conservare le avvertenze e le istruzioni per riferimenti futuri.

AVVERTENZE DI SICUREZZA PER LA SMERIGLIATRICE

GEB033-7

Avvisi di sicurezza comuni per la smerigliatura, la carteggiatura, la spazzolatura metallica o le operazioni di taglio abrasivo:

1. **Questo utensile va utilizzato come smerigliatrice, levigatrice, spazzola d'acciaio o strumento di taglio.** Leggere tutti gli avvisi di sicurezza, le istruzioni, le illustrazioni e le caratteristiche tecniche fornite con questo utensile. La mancata osservanza delle istruzioni riportate di seguito può provocare scosse elettriche, incendi e/o lesioni gravi.
2. **Non si consiglia di utilizzare questo utensile per eseguire operazioni quali la lucidatura.** Operazioni per le quali l'utensile non è stato progettato possono creare un rischio e lesioni personali.
3. **Non utilizzare accessori non progettati specificamente e consigliati dal produttore dell'utensile.** Il semplice fissaggio dell'accessorio al proprio utensile non garantisce un funzionamento sicuro.
4. **La velocità nominale dell'accessorio deve essere almeno equivalente alla velocità massima contrassegnata sull'utensile.** Gli accessori che funzionano più velocemente della velocità nominale possono rompersi e volare via in più pezzi.
5. **Il diametro esterno e lo spessore dell'accessorio devono corrispondere ai limiti di capienza dell'utensile.** Gli accessori con dimensioni errate non possono essere protetti o controllati adeguatamente.
6. **L'attacco filettato degli accessori deve corrispondere alla filettatura del mandrino della smerigliatrice. Per quanto riguarda gli accessori montati mediante flange, il diametro del foro dell'albero sull'accessorio deve corrispondere a quello della flangia.** Gli accessori che non corrispondono all'attacco di montaggio risulteranno sbilanciati, vibreranno eccessivamente e potrebbero causare la perdita di controllo.
7. **Non utilizzare un accessorio danneggiato. Prima di ogni utilizzo, controllare gli accessori quali i dischi abrasivi per verificare l'eventuale presenza di schegge e fessure, cuscinetti di supporto per crepe, strappi o usura in eccesso, utilizzare una spazzola metallica per fili allentati o con fessure. Se l'utensile o l'accessorio cadono, controllare l'eventuale presenza di danni o installare un accessorio intatto. Una volta controllato e installato l'accessorio, posizionarsi insieme agli astanti lontano dal piano dell'accessorio rotante e**

azionare l'utensile alla massima velocità a vuoto per un minuto. Normalmente, gli accessori danneggiati si romperanno durante questo periodo di prova.

8. **Indossare l'equipaggiamento di protezione individuale. A seconda dell'applicazione, utilizzare uno schermo facciale, occhiali protettivi o di sicurezza. Se necessario, indossare una maschera antipolvere, protezioni acustiche, guanti e un grembiule da officina in grado di fermare frammenti piccoli o abrasivi del pezzo in lavorazione.** La protezione degli occhi deve essere capace di arrestare i residui volanti generati dalle varie operazioni. La maschera antipolvere o il respiratore devono essere in grado di filtrare le particelle generate dalla propria attività. L'esposizione prolungata al rumore ad alta intensità può causare la perdita dell'udito.
9. **Mantenere gli astanti ad una distanza di sicurezza dall'area di lavoro. Tutte le persone che entrano nella zona di lavoro devono indossare l'equipaggiamento di protezione individuale.** I frammenti di un pezzo o di un accessorio rotto possono volare via e provocare lesioni oltre l'area operativa immediata.
10. **Nel corso di operazioni che potrebbero portare l'accessorio di taglio a contatto con conduttori nascosti o con il proprio cavo di alimentazione, impugnare l'utensile esclusivamente mediante le superfici isolate predisposte.** Se l'accessorio da taglio entra a contatto con un filo percorso da corrente, le parti metalliche esposte dell'utensile si troveranno anch'esse sotto tensione e potrebbero provocare scosse elettriche all'operatore.
11. **Posizionare il cavo lontano dall'accessorio rotante.** Se si perde il controllo, il cavo potrebbe essere tagliato o restare impigliato, mentre la mano o il braccio potrebbero essere spinti nell'accessorio rotante.
12. **Non appoggiare mai l'utensile a terra se l'accessorio non è fermo completamente.** L'accessorio rotante può far presa sulla superficie e causare la perdita di controllo dell'utensile.
13. **Non azionare l'utensile quando viene trasportato su un lato.** Il contatto accidentale con l'accessorio rotante può strappare i vestiti, tirando l'accessorio sul proprio corpo.
14. **Pulire regolarmente le aperture di ventilazione dell'utensile.** La ventola del motore attirerà la polvere all'interno dell'alloggiamento e l'accumulo eccessivo di polvere metallica può causare pericoli elettrici.
15. **Non utilizzare l'utensile vicino a materiali infiammabili.** Le scintille potrebbero bruciare questi materiali.
16. **Non utilizzare accessori che richiedono refrigeranti liquidi.** L'utilizzo di acqua o di altri refrigeranti liquidi può provocare folgorazione o scosse elettriche.

Contraccolpi e avvisi correlati

Un contraccolpo è una reazione improvvisa che si verifica quando un disco mobile, una spazzola, un cuscinetto di supporto o qualunque altro accessorio si incastra o urta contro qualcosa. L'incastamento o l'urto causano uno stallo veloce dell'accessorio rotante che a sua volta mette

fuori controllo l'utensile forzandolo nella direzione opposta alla rotazione dell'accessorio, causandone il grippaggio. Ad esempio, se un disco abrasivo si impiglia o urta contro un pezzo, il bordo del disco che entra nel punto di incastramento può scavare la superficie del materiale causando l'innalzamento o l'espulsione del disco. Il disco potrebbe saltare verso o lontano dall'operatore, a seconda della direzione del movimento del disco nel punto di incastramento. In queste circostanze i dischi abrasivi possono anche rompersi.

I contraccolpi sono determinati dall'uso improprio dell'utensile e/o da procedure o condizioni operative errate e possono essere evitati adottando le precauzioni specifiche illustrate di seguito.

- a) **Stringere con forza l'utensile e posizionare il proprio corpo e il braccio per resistere alle forze del contraccolpo. Utilizzare sempre la maniglia ausiliaria, se inclusa, per un controllo massimo della reazione contro la coppia di torsione o i contraccolpi durante l'avvio.** L'operatore può controllare le reazioni della coppia di torsione o le forze del contraccolpo, se vengono adottate le precauzioni adeguate.
- b) **Non posizionare mai le mani vicino all'accessorio rotante.** Gli accessori possono causare contraccolpi alla mano.
- c) **Se si verificano contraccolpi, non posizionare il corpo nella zona in cui si sposterà l'utensile.** I contraccolpi spingeranno l'utensile in avanti nella direzione opposta al movimento del disco nel punto dell'urto.
- d) **Prestare particolare attenzione durante il lavoro negli angoli, sui bordi aguzzi e così via. Evitare di fare rimbalzare o urtare l'accessorio.** Gli angoli, i bordi taglienti o i rimbalzi tendono a strappare l'accessorio rotante e causare la perdita di controllo o contraccolpi.
- e) **Non collegare una lama da intaglio munita di una catena di taglio o una lama di taglio dentata.** Queste lame creano frequentemente contraccolpi e la perdita di controllo.

Avvisi di sicurezza specifici per le operazioni di smerigliatura e di taglio abrasivo:

- a) **Utilizzare soltanto i tipi di dischi consigliati per l'utensile e la protezione specifica progettata per il disco selezionato.** I dischi non progettati per l'utensile non possono essere protetti adeguatamente e sono pericolosi.
- b) **La superficie di smerigliatura dei dischi a centro depresso deve essere montata sotto il piano del lembo di protezione.** Un montaggio improprio del disco, tale da farlo sporgere oltre il piano del lembo di protezione, non può garantire una protezione adeguata.
- c) **La protezione deve essere fissata saldamente all'utensile e posizionata per la massima sicurezza, in modo che una parte minima del disco venga esposta verso l'operatore.** La protezione aiuta a proteggere l'operatore da frammenti di disco rotti e dal contatto accidentale con il disco e con scintille che potrebbero incendiare gli abiti.
- d) **I dischi devono essere utilizzati soltanto per le applicazioni suggerite. Ad esempio: non smerigliare con il lato del disco da taglio.** I dischi

abrasivi da taglio devono essere utilizzati per la smerigliatura periferica, le forze laterali applicate a questi dischi possono causarne la frantumazione.

- e) **Utilizzare sempre flange del disco intatte con le dimensioni e la forma corrette per il disco selezionato.** Flange adeguate del disco supportano il disco e riducono quindi la possibilità della relativa rottura. Le flange dei dischi di taglio possono essere diverse dalle flange del disco di smerigliatura.
- f) **Non utilizzare dischi consumati di utensili con dimensioni maggiori.** I dischi previsti per utensili più grandi non sono adatti per le velocità più elevate di un utensile più piccolo e possono frantumarsi.

Ulteriori avvisi di sicurezza specifici alle operazioni di taglio abrasivo:

- a) **Non "bloccare" il disco di taglio o applicare una pressione eccessiva. Non cercare di eseguire una profondità di taglio eccessiva.** Il sovraccarico del disco aumenta il caricamento e la disposizione all'avvitamento o al grippaggio del disco di taglio e la possibilità di contraccolpi o rotture del disco.
- b) **Non posizionare il corpo in linea e dietro al disco mobile.** Se il disco, nel punto di mobilità, si sposta lontano dal corpo, gli eventuali contraccolpi possono spingere il disco mobile e l'utensile direttamente verso l'utente.
- c) **Quando il disco sta grippando o interrompe un taglio per qualsiasi motivo, spegnere l'utensile e mantenere l'utensile fermo fino a quando il disco si arresta completamente. Durante il taglio, non cercare mai di rimuovere il disco di taglio durante lo spostamento del disco, altrimenti possono verificarsi contraccolpi.** Esaminare le condizioni operative e adottare le misure necessarie per eliminare le cause del grippaggio del disco.
- d) **Non ricominciare l'operazione di taglio sul pezzo in lavorazione. Attendere che il disco raggiunga la piena velocità e riprendere il taglio con la massima attenzione.** Se l'utensile viene riavviato sul pezzo in lavorazione, il disco può grippare, sollevarsi o sobbalzare.
- e) **Supportare i pannelli o qualsiasi pezzo in lavorazione sovradimensionato per minimizzare il rischio di contraccolpi e incastramenti del disco.** I pezzi in lavorazione di grandi dimensioni tendono a flettersi sotto il loro stesso peso. Collocare supporti al di sotto del pezzo in lavorazione su entrambi i lati, sia vicino alla linea di taglio che all'estremità del disco.
- f) **Prestare particolare attenzione nel caso sia necessario eseguire "tagli con cavità" inserendo la lama in una parete esistente o in un'altra superficie chiusa.** Il disco sporgente può tagliare i tubi dell'acqua o del gas, i cavi elettrici o gli oggetti che possono causare il contraccolpo.

Avvisi di sicurezza specifici per le operazioni di smerigliatura:

- a) **Non utilizzare una carta abrasiva eccessivamente sovradimensionata. Nel selezionare la carta abrasiva, seguire le raccomandazioni dei produttori.** Una carta abrasiva di dimensioni maggiori che si estende oltre il cuscinetto da smerigliatura presenta un rischio di lacerazione e può causare la sbavatura, l'usura del disco o contraccolpi.

Avvisi di sicurezza specifici per le operazioni di spazzolatura metallica:

- a) **Notare che le setole di ferro cadono dalla spazzola persino durante le operazioni normali. Non sovraccaricare i fili applicando un carico eccessivo alla spazzola.** Le setole di ferro possono penetrare facilmente nei vestiti leggeri e/o nella pelle.
- b) **Se per la spazzola metallica è consigliato l'utilizzo di una protezione, non fare interferire il disco a raggi o la spazzola con il dispositivo.** Il diametro del disco a raggi o della spazzola può espandersi a causa del carico di lavoro e delle forze centrifughe.

Avvertenze di sicurezza supplementary:

17. **Se vengono utilizzati dischi con un centro depresso, accertarsi che si tratti esclusivamente di dischi in fibra di vetro rinforzata.**
18. **NON UTILIZZARE MAI dischi a tazza in pietra.** La presente smerigliatrice non è progettata per questo tipo di dischi e l'uso di un tale prodotto potrebbe causare gravi lesioni personali.
19. **Fare attenzione a non danneggiare il mandrino, la flangia (soprattutto la superficie di installazione) o il controdado.** Se queste parti vengono danneggiate, il disco potrebbe rompersi.
20. **Verificare che il disco non tocchi il pezzo in lavorazione prima che si accenda l'interruttore.**
21. **Prima di usare l'utensile, lasciarlo funzionare a vuoto per qualche minuto. Prestare attenzione a vibrazioni e oscillazioni, che potrebbero indicare difetti di installazione o che il disco non è bilanciato correttamente.**
22. **Per la smerigliatura, usare la superficie specificata del disco.**
23. **Non lasciare l'utensile acceso. Azionare l'utensile solo dopo averlo impugnato.**
24. **Non toccare il pezzo subito dopo il lavoro, poiché può raggiungere temperature elevate e provocare ustioni.**
25. **Osservare le istruzioni del produttore per il corretto montaggio e utilizzo dei dischi. Maneggiare e conservare i dischi con cura.**
26. **Non utilizzare boccole di riduzione o adattatori separati per montare dischi abrasivi con foro largo.**
27. **Usare soltanto flange specifiche per questo utensile.**
28. **Se si usano utensili su cui montare dischi con foro filettato, accertarsi che la filettatura del disco sia sufficientemente lunga da accettare la lunghezza del mandrino.**
29. **Accertarsi che il pezzo sia fissato stabilmente nei supporti.**
30. **Tenere presente che il disco continua a girare anche dopo aver spento l'utensile.**
31. **Se l'ambiente di lavoro è estremamente caldo o umido oppure contaminato da polvere conduttiva, usare un salvavita (30 mA) per garantire la sicurezza dell'operatore.**
32. **Non usare l'utensile su materiali che contengono amianto.**
33. **Quando si usano dischi diamantati, utilizzare sempre la protezione del disco per raccogliere la**

polvere, come previsto dalle normative in vigore nel paese.

34. **I dischi da taglio non devono essere soggetti ad alcuna pressione laterale.**

CONSERVARE QUESTE ISTRUZIONI.

⚠ AVVERTENZA:
NON lasciare che la familiarità acquisita con il prodotto (dovuta all'uso ripetuto) provochi l'inosservanza delle regole di sicurezza per il presente utensile. L'USO IMPROPRIO o la mancata osservanza delle norme di sicurezza contenute in questo manuale può provocare lesioni personali gravi.

DESCRIZIONE FUNZIONALE

⚠ ATTENZIONE:

- Prima di regolare o controllare le funzioni dell'utensile, verificare sempre di averlo spento e scollegato dall'alimentazione.

Blocco dell'albero

⚠ ATTENZIONE:

- Non utilizzare il blocco dell'albero mentre il mandrino è in funzione. L'uso in tali condizioni può danneggiare l'utensile. (Fig. 1)

Premere il blocco dell'albero per evitare la rotazione del mandrino durante l'installazione o la rimozione degli accessori.

Azionamento dell'interruttore

⚠ ATTENZIONE:

- Prima di collegare l'utensile, controllare che l'interruttore funzioni correttamente e ritorni alla posizione "OFF" una volta rilasciato.
- È possibile bloccare l'interruttore nella posizione "ON" per garantire comodità all'operatore durante l'uso prolungato dell'utensile. Prestare attenzione quando si blocca l'utensile nella posizione "ON" e mantenere una presa sicura. (Fig. 2)

Per utensili con interruttore di blocco

Per avviare l'utensile, è sufficiente premere l'interruttore (nella direzione B). Per spegnere l'utensile, rilasciare l'interruttore. Per il funzionamento continuo, premere l'interruttore (nella direzione B) e spingere la levetta di blocco (nella direzione A). Per arrestare l'utensile mentre è in posizione di blocco, premere completamente l'interruttore (nella direzione B), quindi rilasciarlo.

Per utensili con sicura

La sicura consente di evitare di azionare involontariamente l'interruttore.

Per avviare l'utensile, spingere la leva di blocco (nella direzione A), quindi premere l'interruttore (nella direzione B). Per spegnere l'utensile, rilasciare l'interruttore.

Per utensili con interruttore di blocco e sicura

La sicura consente di evitare di azionare involontariamente l'interruttore.

Per avviare l'utensile, spingere la leva di blocco (nella direzione A), quindi premere l'interruttore (nella direzione B). Per spegnere l'utensile, rilasciare l'interruttore.

Per il funzionamento continuo, spingere la levetta di blocco (nella direzione A), premere l'interruttore (nella direzione B) e tirare la levetta di blocco (nella direzione C).

Per arrestare l'utensile mentre è in posizione di blocco, premere completamente l'interruttore (nella direzione B), quindi rilasciarlo.

Spia luminosa (per il modello GA7050R/GA9050R) (Fig. 3)

La spia luminosa diventa verde quando l'utensile è collegato alla presa di corrente. Se la spia non si accende, il cavo di alimentazione o il controller potrebbero essere difettosi. Se la spia si accende ma l'utensile non si avvia nonostante sia acceso, potrebbero essersi usurate le spazzole di carbone oppure il controller, il motore o l'interruttore potrebbero essere difettosi.

Prova di riavvio involontario

Se si blocca la leva tenendo premuto l'interruttore (posizione di blocco), l'utensile non si riaccende anche se collegato alla presa di corrente.

In questo momento, la spia luminosa diventa rossa e mostra che il dispositivo a prova di riavvio involontario è in funzione.

Per annullare la prova di riavvio involontario, premere a fondo l'interruttore e quindi rilasciarlo.

Funzione di avvio morbido

Quando vengono accesi, questi modelli iniziano a funzionare lentamente. Tale avvio morbido consente un funzionamento più omogeneo.

MONTAGGIO

⚠ ATTENZIONE:

- Accertarsi sempre che l'utensile sia spento e scollegato dalla presa di corrente prima di iniziare qualsiasi operazione su di esso.

Installazione dell'impugnatura laterale

⚠ ATTENZIONE:

- Accertarsi sempre che l'impugnatura laterale sia montata correttamente prima di fare funzionare l'utensile (Fig. 4).

Avvitare saldamente l'impugnatura sul punto dell'utensile mostrato in figura.

Installazione o rimozione della protezione del disco (per disco con centro depresso, multidisco, spazzola per disco a raggi/disco abrasivo diamantato, disco diamantato)

⚠ AVVERTENZA:

- Durante l'uso di un disco con centro depresso/multidisco, di un disco flessibile o di una spazzola per disco a raggi, la protezione del disco deve essere montata sull'utensile in modo che il lato più vicino della protezione sia sempre rivolto verso l'operatore.
- Se si utilizza un disco da taglio abrasivo/disco diamantato, accertarsi di utilizzare solo l'apposita

protezione speciale progettata per l'uso con i dischi da taglio. (Nei paesi europei, se si utilizza un disco diamantato è possibile usare la protezione normale.)

Per utensili con protezione del disco di tipo a chiusura con vite (Fig. 5)

Montare la protezione del disco con la sporgenza della banda di protezione allineata con la tacca presente sull'alloggiamento del cuscinetto. Ruotare quindi la protezione del disco di 180 gradi in senso antiorario. Serrare la vite fino in fondo.

Per rimuovere la protezione del disco, attenersi alla procedura di installazione procedendo in senso inverso.

Per utensili con protezione del disco di tipo leva a morsetto (Fig. 6 e 7)

Allentare la leva sulla protezione del disco. Montare la protezione del disco con la sporgenza della banda di protezione allineata con la tacca presente sull'alloggiamento del cuscinetto. Ruotare quindi la protezione del disco fino alla posizione mostrata in figura. Serrare la leva per fissare la protezione del disco. Se la leva è troppo serrata o troppo allentata per fissare la protezione del disco, allentare o serrare il dado per regolare il fissaggio della banda di protezione del disco. Per rimuovere la protezione del disco, attenersi alla procedura di installazione procedendo in senso inverso.

Installazione o rimozione di un disco con centro depresso/multidisco (accessorio opzionale)

⚠ AVVERTENZA:

- Utilizzare sempre la protezione in dotazione quando sull'utensile è in uso un disco con centro depresso/multidisco. Il disco può frantumarsi durante l'uso e la protezione aiuta a ridurre le possibilità di infortuni. (Fig. 8)

Montare la flangia interna sul mandrino. Montare il disco sulla flangia interna e avvitare il controdado sul mandrino.

⚠ AVVERTENZA:

- Non utilizzare mai un disco di smerigliatura di spessore superiore a 6,5 mm.

Superflangia

I modelli con la lettera F dispongono di una superflangia come dotazione standard. Per svitare il controdado, applicare una forza pari solo a 1/3 di quella necessaria per il tipo convenzionale.

NOTA:

- Solo per utensili con filettatura del mandrino M14

Per l'Australia e la Nuova Zelanda (Fig. 9)

Montare la flangia interna sul mandrino. Montare il disco sulla flangia interna e avvitare il controdado con la sporgenza rivolta verso il basso (rivolta verso il disco). Per serrare il controdado, premere saldamente il blocco dell'albero in modo da evitare la rotazione del mandrino, quindi utilizzare l'apposita chiave per serrare il controdado in senso orario. (Fig. 10)

Per rimuovere il disco, attenersi alla procedura di installazione procedendo in senso inverso.

Installazione o rimozione del disco abrasivo (accessorio opzionale)

NOTA:

- Utilizzare soltanto gli accessori di carteggiatura indicati nel presente manuale. Devono essere acquistati separatamente. (Fig. 11)

Montare il cuscinetto in gomma sul mandrino. Montare il disco sul cuscinetto in gomma e avvitare il controdado sul mandrino. Per serrare il controdado, premere saldamente il blocco dell'albero in modo da evitare la rotazione del mandrino, quindi utilizzare l'apposita chiave per serrare il controdado girando in senso orario.

Per rimuovere il disco, attenersi alla procedura di installazione procedendo in senso inverso.

Installazione o rimozione di Ezynut (accessorio opzionale)

⚠ ATTENZIONE:

- Non utilizzare Ezynut con una superflangia o una smerigliatrice angolare il cui numero di modello termina con "F". Queste flange sono così spesse che il mandrino non è in grado di trattenere l'intera filettatura. (Fig. 12)

Montare la flangia interna, il disco abrasivo/multidisco ed Ezynut sul mandrino, avendo cura che il logo Makita su Ezynut sia rivolto verso l'esterno. (Fig. 13)

Premere saldamente il blocco dell'albero e serrare Ezynut ruotando il disco abrasivo/multidisco in senso orario fino al suo arresto.

Ruotare l'anello esterno di Ezynut in senso antiorario per allentarlo. (Fig. 14 e 15)

NOTA:

- Ezynut può essere allentato manualmente finché la freccia punta verso la tacca. In caso contrario, è necessaria una chiave per controdadi per allentarlo. Inserire un'estremità della chiave in un foro e ruotare Ezynut in senso antiorario.
- Solo per utensili con filettatura del mandrino M14

USO

⚠ AVVERTENZA:

- Non dovrebbe essere mai necessario forzare l'utensile. Il peso stesso dell'utensile esercita una pressione adeguata. Una forza o una pressione eccessiva possono provocare una rottura pericolosa del disco.
- Sostituire sempre il disco se l'utensile è caduto durante la smerigliatura.
- Non urtare mai il disco contro il pezzo.
- Evitare di fare rimbalzare o urtare il disco, in particolare durante il lavoro negli angoli, sui bordi aguzzi e così via. Si potrebbe causare la perdita di controllo e contraccolpi.
- Non utilizzare mai l'utensile con lame per il taglio del legno o altre seghe. Se utilizzate con le smerigliatrici, tali lame danno frequentemente dei contraccolpi causando perdite di controllo con pericolo di lesioni.

⚠ ATTENZIONE:

- Non accendere l'utensile quando è in contatto con il pezzo, poiché ciò potrebbe causare infortuni dell'operatore.

- Indossare sempre occhiali di protezione o una visiera durante il lavoro.
- Dopo l'uso, spegnere sempre l'utensile e attendere che il disco si sia fermato prima di riportarlo.

Smerigliatura e carteggiatura (Fig. 16)

Tenere sempre saldamente l'utensile con una mano sull'impugnatura posteriore e l'altra sull'impugnatura laterale. Accendere l'utensile e applicare il disco sul pezzo.

In linea generale, tenere il bordo del disco a un angolo di circa 15 gradi rispetto alla superficie del pezzo.

Durante il periodo di rodaggio di un nuovo disco, non spostare la smerigliatrice nella direzione B, poiché taglierebbe il pezzo. Una volta che il bordo del disco è stato arrotondato dall'uso, il disco può essere spostato in entrambe le direzioni A e B.

Utilizzo con la spazzola metallica (accessorio opzionale)

⚠ ATTENZIONE:

- Per controllare il funzionamento della spazzola, avviare l'utensile senza alcun carico, assicurandosi che non vi siano persone davanti alla spazzola.
- Non utilizzare spazzole danneggiate o non equilibrate. L'uso di una spazzola danneggiata potrebbe aumentare la possibilità di infortuni dovuti al contatto con fili della spazzola danneggiati. (Fig. 17)

Scollegare l'utensile e posizionarlo capovolto in modo da accedere facilmente al mandrino. Rimuovere eventuali accessori dal mandrino. Montare la spazzola metallica sul mandrino e serrarla con la chiave in dotazione. Durante l'uso della spazzola, evitare una pressione eccessiva che può causare una piegatura oltre i limiti dei fili, causando rotture premature.

Utilizzo con la spazzola per disco a raggi (accessorio opzionale)

⚠ ATTENZIONE:

- Per controllare il funzionamento della spazzola per disco a raggi, avviare l'utensile senza alcun carico, assicurandosi che non vi siano persone davanti alla spazzola.
- Non utilizzare spazzole per disco a raggi danneggiate o non equilibrate. L'uso di una spazzola per disco a raggi danneggiata potrebbe aumentare la possibilità di infortuni dovuti al contatto con fili della spazzola danneggiati.
- Utilizzare sempre le protezioni con le spazzole per disco a raggi, verificando che il diametro del disco possa essere contenuto all'interno della protezione. Il disco può frantumarsi durante l'uso e la protezione aiuta a ridurre le possibilità di infortuni. (Fig. 18)

Scollegare l'utensile e posizionarlo capovolto in modo da accedere facilmente al mandrino. Rimuovere eventuali accessori dal mandrino. Montare la spazzola per disco a raggi sul mandrino e serrarla con le chiavi.

Durante l'uso della spazzola per disco a raggi, evitare una pressione eccessiva che può causare una piegatura oltre i limiti dei fili, causando rotture premature.

Utilizzo con il disco da taglio abrasivo/ disco diamantato (accessorio opzionale)

AVVERTENZA:

- Se si utilizza un disco da taglio abrasivo/disco diamantato, accertarsi di utilizzare solo l'apposita protezione speciale progettata per l'uso con i dischi da taglio. (Nei paesi europei, se si utilizza un disco diamantato è possibile usare la protezione normale.)
- Non utilizzare mai un disco da taglio per la smerigliatura laterale.
- Non "bloccare" il disco o applicare una pressione eccessiva. Non tentare di esercitare una forza di taglio eccessiva. Il sovraccarico del disco aumenta il caricamento e la predisposizione all'avvitamento o al grippaggio del disco nel taglio e la possibilità di contraccolpi, rotture del disco o il surriscaldamento del motore.
- Non avviare l'operazione di taglio nel pezzo in lavorazione. Fare raggiungere al disco la piena velocità e iniziare lentamente a tagliare spostando l'utensile in avanti sulla superficie del pezzo in lavorazione. Se l'utensile viene riavviato sul pezzo in lavorazione, il disco può grippare, sollevarsi o sobbalzare.
- Durante le operazioni di taglio, non modificare mai l'angolo del disco. Se al disco da taglio viene applicata la pressione laterale (analogamente alla smerigliatura), nel disco si creeranno crepe e rotture, provocando lesioni personali gravi.
- Un disco diamantato deve essere utilizzato in modo perpendicolare rispetto al materiale da tagliare.

Montare la flangia interna sul mandrino. Montare il disco sulla flangia interna e avvitare il controdado sul mandrino. (Fig. 19)

Durante il montaggio di un disco diamantato o di un disco da taglio abrasivo con il corpo spesso 7 mm o più, montare il controdado con la parte circolare (sporgenza) per l'alesaggio del disco rivolta verso il disco.

Per l'Australia e la Nuova Zelanda

Montaggio o rimozione del disco da taglio abrasivo/disco diamantato (accessorio opzionale) (Fig. 20)

MANUTENZIONE

ATTENZIONE:

- Prima di effettuare controlli e operazioni di manutenzione, verificare sempre che l'utensile sia spento e scollegato.
- Evitare assolutamente di usare benzina, diluenti, solventi, alcol o sostanze simili. In caso contrario, potrebbero verificarsi scoloriture, deformazioni o incrinature.

L'utensile e le aperture di ventilazione devono essere mantenuti puliti. Pulire regolarmente le aperture di ventilazione dell'utensile o quando iniziano a essere ostruite. (Fig. 21)

Sostituzione delle spazzole di carbone (Fig. 22)

Quando la punta isolante in resina all'interno della spazzola di carbone è esposta al contatto del

commutatore, il motore dell'utensile si spegne automaticamente. In questo caso, è necessario sostituire entrambe le spazzole di carbone. Mantenere le spazzole di carbone pulite e libere di scorrere nei supporti.

Entrambe le spazzole di carbone devono essere sostituite contemporaneamente. Utilizzare solo spazzole di carbone dello stesso tipo.

Rimuovere i coperchi dei portaspazzola con un cacciavite. Estrarre le spazzole di carbone consumate, inserire le nuove spazzole e fissare i coperchi dei portaspazzola.

(Fig. 23)

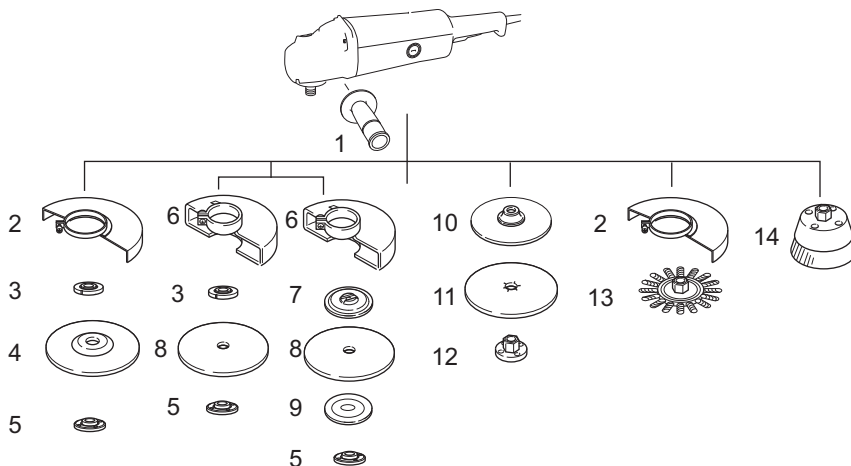
Per mantenere la sicurezza e l'affidabilità del prodotto, le riparazioni e qualsiasi altra operazione di manutenzione o regolazione devono essere eseguiti dai centri di assistenza autorizzati Makita utilizzando sempre parti di ricambio Makita.

ACCESSORI OPZIONALI

ATTENZIONE:

- Si consiglia l'uso dei seguenti accessori per l'utensile Makita descritto in questo manuale. L'uso di qualsiasi altro accessorio potrebbe provocare lesioni personali. Utilizzare gli accessori esclusivamente per l'uso dichiarato.

Per l'assistenza e per ulteriori informazioni su tali accessori, rivolgersi al centro assistenza Makita di zona.



| | |
|----|--|
| 1 | Impugnatura laterale |
| 2 | Protezione per disco con centro depresso/multidisco/spazzola per disco a raggi |
| 3 | Flangia interna/superflangia ^{*1 *2} |
| 4 | Disco con centro depresso/multidisco |
| 5 | Controdado/Ezynut ^{*1 *2} |
| 6 | Protezione per disco da taglio abrasivo/disco diamantato ^{*3} |
| 7 | Flangia interna 78 (solo modelli destinati all'Australia e alla Nuova Zelanda) ^{*4} |
| 8 | Disco da taglio abrasivo/disco diamantato |
| 9 | Flangia esterna 78 (solo modelli destinati all'Australia e alla Nuova Zelanda) ^{*4} |
| 10 | Gommino |
| 11 | Disco abrasivo |
| 12 | Controdado di carteggiatura |
| 13 | Spazzola per disco a raggi |
| 14 | Spazzola di ferro |
| - | Chiave controdado |
| - | Accessorio coperchio antipolvere |

*1 Solo per utensili con filettatura del mandrino M14.

*2 Non utilizzare la superflangia ed Ezynut insieme.

*3 In alcuni paesi europei, se si utilizza un disco diamantato è possibile usare la protezione normale al posto della protezione speciale che copre entrambi i lati del disco. Attenersi alle normative applicabili nel proprio paese.

*4 Utilizzare insieme la flangia interna 78 e la flangia esterna 78 (solo modelli destinati all'Australia e alla Nuova Zelanda).

013353

NOTA:

- Alcuni degli accessori elencati potrebbero essere inclusi nella confezione dell'utensile come accessori standard. Gli accessori standard possono differire da paese a paese.

Rumore

ENG905-1

Il tipico livello di rumore ponderato "A" è determinato in conformità con la norma EN60745:

Modelli GA7050, GA7050R, GA9050, GA9050R

Livello di pressione sonora (L_{pA}): 94 dB (A)

Livello di potenza sonora (L_{WA}): 105 dB (A)

Variazione (K): 3 dB (A)

Indossare una protezione acustica.

Vibrazioni

ENG900-1

Il valore totale delle vibrazioni (somma vettoriale triassiale) è determinato in conformità con la norma EN60745:

Modelli GA7050, GA7050R

Modalità di lavoro: smerigliatura della superficie

Emissione vibrazioni ($a_{h,AG}$): 6,5 m/s²

Variazione (K): 1,5 m/s²

Modalità di lavoro: smerigliatura con disco

Emissione vibrazioni ($a_{h,DS}$): 4,0 m/s²

Variazione (K): 1,5 m/s²

Modelli GA9050, GA9050R

Modalità di lavoro: smerigliatura della superficie

Emissione vibrazioni ($a_{h,AG}$): 5,5 m/s²

Variazione (K): 1,5 m/s²

Modalità di lavoro: smerigliatura con disco

Emissione vibrazioni ($a_{h,DS}$): 2,5 m/s²

Variazione (K): 1,5 m/s²

ENG902-1

- Il valore di emissione delle vibrazioni dichiarato è stato misurato in conformità con il metodo di test standard e può essere utilizzato per confrontare tra loro diversi utensili.
- Il valore di emissione delle vibrazioni dichiarato può anche essere utilizzato per stime preliminari dell'esposizione.
- Il valore dell'emissione delle vibrazioni dichiarato è utilizzato per le applicazioni principali dello strumento. Tuttavia, se lo strumento viene utilizzato per altre applicazioni, il valore dell'emissione delle vibrazioni potrebbe essere diverso.

AVVERTENZA:

- L'emissione delle vibrazioni durante l'uso effettivo dell'utensile elettrico può risultare diversa rispetto al valore dichiarato, in base alla modalità d'uso dell'utensile.
- Assicurarsi di individuare le necessarie misure di sicurezza per proteggere l'operatore in base a una stima dell'esposizione nelle condizioni reali di utilizzo (prendendo in considerazione tutte le fasi del ciclo operativo, come quante volte l'utensile viene spento e i periodi in cui rimane inattivo, oltre al tempo di avviamento).

Solo per i paesi europei

ENH101-17

Dichiarazione di conformità CE

Makita dichiara che le macchine seguenti:

Denominazione dell'utensile:

Smerigliatrice angolare

N. modello/Tipo: GA7050, GA7050R, GA9050, GA9050R

sono conformi alle seguenti direttive europee:

2006/42/EC

Sono prodotte in conformità agli standard o ai documenti standardizzati riportati di seguito:

EN60745

Il documento tecnico ai sensi della Direttiva europea 2006/42/EC è disponibile presso:

Makita, Jan-Baptist Vinkstraat 2, 3070, Belgio

31. 12. 2013



Yasushi Fukaya

Direttore

Makita, Jan-Baptist Vinkstraat 2, 3070, Belgio

NEDERLANDS (Originele instructies)

Verklaring van het onderdelenoverzicht

| | | |
|--|--------------------------------|---|
| 1. Asvergrendeling | 12. Binnenflens | 24. Doorslijpschijf of diamantschijf |
| 2. Aan/uit-schakelaar | 13. Superflens | 25. Beschermpak voor doorslijpschijf of diamantschijf |
| 3. Vergrendelknop | 14. Borgmoersleutel | 26. Buitenflens 78 |
| 4. Bedrijfslampje | 15. Schuurschijf | 27. Binnenflens 78 |
| 5. Beschermpak | 16. Rubberen rugschijf | 28. Luchtuitlaatopening |
| 6. Schroef | 17. Ezynut | 29. Luchtinlaatopening |
| 7. Lagerhuis | 18. Slijpschijf/multischijf | 30. Collector |
| 8. Moer | 19. As | 31. Isolerend uiteinde |
| 9. Hendel | 20. Pijl | 32. Koolborstel |
| 10. Borgmoer | 21. Nok | 33. Koolborsteldop |
| 11. Schijf met een verzonken middengat | 22. Komvormige draadborstel | 34. Schroevendraaier |
| | 23. Schijfvormige draadborstel | |

TECHNISCHE GEGEVENS

| Model | GA7050 | GA7050R | GA9050 | GA9050R |
|--|--|----------------------------|----------------------------|----------------------------|
| Diameter van schijf met een verzonken middengat | 180 mm | 180 mm | 230 mm | 230 mm |
| Max. schijfdikte | 6,5 mm | 6,5 mm | 6,5 mm | 6,5 mm |
| Asschroefdraad | M14 of 5/8" (afhankelijk van het land) | | | |
| Nullastoerental (n_0)/ Nominaal toerental (n) | 8.500 (min ⁻¹) | 8.500 (min ⁻¹) | 6.600 (min ⁻¹) | 6.600 (min ⁻¹) |
| Totale lengte | 432 mm | 455 mm | 432 mm | 455 mm |
| Netto gewicht | 4,5 kg | 4,6 kg | 4,7 kg | 4,8 kg |
| Veiligheidsklasse | II/III | | | |

- Als gevolg van ons doorlopende onderzoeks- en ontwikkelingsprogramma, zijn de technische gegevens van dit gereedschap onderhevig aan veranderingen zonder voorafgaande kennisgeving.
- De technische gegevens kunnen van land tot land verschillen.
- Gewicht volgens EPTA-procedure 01/2003

Symbolen

END202-8

Hieronder staan de symbolen die voor dit gereedschap worden gebruikt. Zorg ervoor dat u weet wat ze betekenen alvorens het gereedschap te gebruiken.



..... Lees de gebruiksaanwijzing.



..... DUBBEL GEÏSOLEERD



..... Draag een veiligheidsbril.



..... Alleen voor EU-landen
Geef elektrisch gereedschap niet met het huisvuil mee!
Volgens de Europese richtlijn inzake oude elektrische en elektronische apparaten en de toepassing daarvan binnen de nationale wetgeving, dient gebruikt elektrisch gereedschap gescheiden te worden ingezameld en te worden afgevoerd naar een recycle bedrijf dat voldoet aan de geldende milieueisen.

Gebruiksdoelinden

ENE048-1

Het gereedschap is bedoeld voor het slijpen, schuren en doorslijpen van metaal en steen zonder gebruik van water.

Voeding

ENF002-2

Het gereedschap mag uitsluitend worden aangesloten op een voeding met dezelfde spanning als aangegeven op het typeplaatje en werkt alleen op enkele-fase wisselstroom. Het gereedschap is dubbel geïsoleerd en mag derhalve ook op een niet-geaard stopcontact worden aangesloten.

Voor de modellen GA7050 en GA9050

ENF100-1

Voor het openbare laagspanningsnet van 220 V t/m 250 V.

Het in- en uitschakelen van elektrische apparatuur veroorzaakt spanningsfluctuaties. Het gebruik van dit gereedschap terwijl het elektriciteitsnet in een slechte toestand verkeert, kan de werking van andere apparatuur nadelig beïnvloeden. Als de netweerstand lager is dan 0,22 ohm, mag u ervan uitgaan dat geen nadelige effecten optreden. Het stopcontact waarop dit gereedschap is aangesloten moet zijn beveiligd met een zekering of veiligheidsstroomonderbreker met trage uitschakeling.

Algemene veiligheids waarschuwingen voor elektrisch gereedschap

GEA010-1

⚠ WAARSCHUWING Lees alle veiligheids waarschuwingen en alle instructies. Het niet volgen van de waarschuwingen en instructies kan leiden tot elektrische schokken, brand en/of ernstig letsel.

Bewaar alle waarschuwingen en instructies om in de toekomst te kunnen raadplegen.

VEILIGHEIDSWAARSCHUWINGEN SPECIFIEK VOOR EEN SLIJPMACHINE

GEB033-7

Gemeenschappelijke veiligheids waarschuwingen voor slijp-, schuur-, draadborstel- en doorslijpwerkzaamheden:

1. **Dit elektrisch gereedschap is bedoeld voor gebruik als slijp-, schuur-, draadborstel- of doorslijpgereedschap. Lees alle veiligheids waarschuwingen, instructies, afbeeldingen en technische gegevens die bij dit elektrisch gereedschap worden geleverd.** Als u nalaat alle onderstaande instructies te volgen, kan dit leiden tot een elektrische schok, brand en/of ernstig letsel.
2. **Werkzaamheden zoals polijsten worden niet aangeraden met dit elektrisch gereedschap.** Werkzaamheden waarvoor dit elektrisch gereedschap niet is bedoeld kunnen gevaarlijke situaties opleveren en tot persoonlijk letsel leiden.
3. **Gebruik geen accessoires die niet specifiek zijn ontworpen en aanbevolen door de fabrikant van het gereedschap.** Ook wanneer het accessoire kan worden bevestigd op uw elektrisch gereedschap, is een veilige werking niet gegarandeerd.
4. **Het nominaal toerental van het accessoire moet minstens gelijk zijn aan het maximumtoerental vermeld op het elektrisch gereedschap.** Accessoires die met een hoger toerental draaien dan hun nominaal toerental kunnen stuk breken en in het rond vliegen.
5. **De buitendiameter en de dikte van het accessoire moet binnen het capaciteitsbereik van het elektrisch gereedschap vallen.** Accessoires met verkeerde afmetingen kunnen niet afdoende worden afgeschermd of beheerst.
6. **Als accessoires met schroefdraadbevestiging worden aangebracht, moet de schroefdraad overeenkomen met de schroefdraad op de as van de slijpmachine. Als accessoires met flensbevestiging worden aangebracht, moet het asgat van het accessoire overeenkomen met de diameter van de pasrand op de flens.** Accessoires die niet overeenkomen met de bevestigingshardware van het elektrisch gereedschap, zullen niet gebalanceerd draaien en buitensporig trillen, en kunnen leiden tot verlies van controle over het gereedschap.

7. **Gebruik nooit een beschadigd accessoire.** Inspecteer het accessoire vóór ieder gebruik, bijvoorbeeld een slijpschijf op ontbrekende schijfers en barsten; een rugschijf op barsten, scheuren of buitensporige slijtage; en een draadborstel op losse of gebarsten draden. Nadat het elektrisch gereedschap is gevallen, inspecteert u het op schade of monteert u een onbeschadigd accessoire. Na inspectie en montage van een accessoire, zorgt u ervoor dat u en omstanders niet in het rotatie vlak van het accessoire staan, en laat u het elektrisch gereedschap draaien op het maximaal, onbelast toerental gedurende één minuut. Beschadigde accessoire breken normaal gesproken in stukken gedurende deze testduur.
8. **Gebruik persoonlijke-veiligheidsmiddelen.** Afhankelijk van de toepassing gebruikt u een gezichtsscherm, een beschermende bril of een veiligheidsbril. Al naar gelang van toepassing draagt u een stofmasker, gehoorbeschermers, handschoenen en een werkschort die in staat zijn kleine stukjes slijpsel of werkstukfragmenten te weerstaan. De oogbescherming moet in staat zijn rondvliegend afval te stoppen dat ontstaat bij de diverse werkzaamheden. Het stofmasker of ademhalingsapparaat moet in staat zijn deeltjes te filteren die ontstaat bij de werkzaamheden. Langdurige blootstelling aan zeer intens geluid kan leiden tot gehoorbeschadiging.
9. **Houd omstanders op veilige afstand van het werkgebied. Iedereen die zich binnen het werkgebied begeeft, moet persoonlijke-veiligheidsmiddelen gebruiken.** Fragmenten van het werkstuk of van een uiteengevallen accessoire kunnen rondvliegen en letsel veroorzaken buiten de onmiddellijk werkomgeving.
10. **Houd elektrisch gereedschap uitsluitend vast aan het geïsoleerde oppervlak van de handgrepen wanneer u werkt op plaatsen waar het slijpaccessoire met verborgen bedrading of zijn eigen snoer in aanraking kan komen.** Wanneer het accessoire in aanraking komen met onder spanning staande draden, zullen de niet-geïsoleerde metalen delen van het gereedschap onder spanning komen te staan zodat de gebruiker een elektrische schok kan krijgen.
11. **Houd het snoer goed uit de buurt van het ronddraaiende accessoire.** Als u de controle verliest over het gereedschap, kan het snoer worden doorgesneden of bekneld raken, en kan uw hand of arm tegen het ronddraaiende accessoire worden aangetrokken.
12. **Leg het elektrisch gereedschap nooit neer voordat het accessoire volledig tot stilstand is gekomen.** Het ronddraaiende accessoire kan de ondergrond pakken zodat u de controle over het elektrisch gereedschap verliest.
13. **Laat het elektrisch gereedschap niet draaien terwijl u het naast u draagt.** Als het ronddraaiende accessoire u per ongeluk raakt, kan het verstrikt raken in uw kleding waardoor het accessoire in uw lichaam wordt getrokken.

14. **Maak de ventilatieopeningen van het gereedschap regelmatig schoon.** De ventilator van de motor zal het stof de behuizing in trekken, en een grote opeenhoping van metaalslijpsel kan leiden tot elektrisch gevaarlijke situaties.
15. **Gebruik het elektrisch gereedschap niet in de buurt van brandbare materialen.** Vonken kunnen deze materialen doen ontvlammen.
16. **Gebruik geen accessoires die met vloeistof moeten worden gekoeld.** Het gebruik van water of andere vloeibare koelmiddelen kan leiden tot elektrocutie of elektrische schokken.

Terugslag en aanverwante waarschuwingen

Terugslag is een plotselinge reactie op een beknelde of vastgelopen draaiende schijf, rugschijf, borstel of enig ander accessoire. Beknellen of vastlopen veroorzaakt een snelle stilstand van het draaiende accessoire dat op zijn beurt ertoe leidt dat het elektrisch gereedschap zich ongecontroleerd beweegt in de tegenovergestelde richting van de draairichting van het accessoire op het moment van vastlopen.

Bijvoorbeeld, als een slijpschijf bekneld raakt of vastloopt in het werkstuk, kan de rand van de schijf die het beknellingspunt ingaat, zich invreten in het oppervlak van het materiaal waardoor de schijf eruit klimt of eruit slaat. De schijf kan daarbij naar de gebruiker toe of weg springen, afhankelijk van de draairichting van de schijf op het beknellingspunt. Slijpschijven kunnen in dergelijke situaties ook breken.

Terugslag is het gevolg van misbruik van het elektrisch gereedschap en/of onjuiste gebruiksprocedures of -omstandigheden, en kan worden voorkomen door goede voorzorgsmaatregelen te treffen, zoals hieronder vermeld:

- a) **Houd het gereedschap stevig vast en houdt uw armen en lichaam zodanig dat u in staat bent een terugslag op te vangen.** Gebruik altijd de extra handgreep (indien aanwezig) voor een maximale controle over het gereedschap in geval van terugslag en de koppelreactiekrachten bij het starten. De gebruiker kan een terugslag of de koppelreactiekrachten opvangen indien de juiste voorzorgsmaatregelen worden getroffen.
- b) **Plaats uw hand nooit in de buurt van het draaiende accessoire.** Het accessoire kan terugslaan over uw hand.
- c) **Plaats uw lichaam niet in het gebied waar het elektrisch gereedschap naar toe gaat wanneer een terugslag optreedt.** Een terugslag zal het gereedschap bewegen in de tegenovergestelde richting van de draairichting van de schijf op het moment van beknellen.
- d) **Wees bijzonder voorzichtig bij het werken met hoeken, scherpe randen, enz. Voorkom dat het accessoire springt of bekneld raakt.** Hoeken, scherpe randen of springen veroorzaken vaak beknellen van het draaiende accessoire wat leidt tot terugslag of verlies van controle over het gereedschap.
- e) **Bevestig geen houtbewerkingsblad van een zaagketting of getand zaagblad.** Dergelijke bladen leiden vaak tot terugslag of verlies van controle over het gereedschap.

Veiligheidswaarschuwingen specifiek voor slijp- en doorslijpwerkzaamheden:

- a) **Gebruik uitsluitend schijven van het type aanbevolen voor uw elektrisch gereedschap en de specifieke beschermkap voor de te gebruiken schijf.** Schijven waarvoor het elektrisch gereedschap niet is ontworpen, kunnen niet goed worden afgeschermd en zijn niet veilig.
- b) **Het slijpvlak van slijpschijven met een verzonken middengat moet lager liggen dan het vlak van de lip op de beschermkap.** Een onjuist aangebrachte schijf die uitsteekt door het vlak van de lip op de beschermkap kan niet afdoende worden beschermd.
- c) **De beschermkap moet stevig worden vastgezet aan het elektrisch gereedschap en in de maximaal beschermende stand worden gezet zodat het kleinste mogelijke deel van de schijf is blootgesteld in de richting van de gebruiker.** De beschermkap helpt de gebruiker te beschermen tegen afgebroken stukjes van de schijf, het per ongeluk aanraken van de schijf en vonken die kleding kunnen doen ontvlammen.
- d) **De schijven mogen uitsluitend worden gebruikt voor de aanbevolen toepassingen. Bijvoorbeeld: u mag niet slijpen met de zijkant van een doorslijpschijf.** Doorslijpschijven zijn bedoeld voor slijpen met de rand. Krachten op het zijoppervlak kunnen deze schijven doen breken.
- e) **Gebruik altijd onbeschadigde schijfflenzen van de juiste afmetingen en vorm voor de te gebruiken schijf.** Een goede schijfflens ondersteunt de schijf en verkleint daarmee de kans op het breken van de schijf. Flenzen voor doorslijpschijven kunnen verschillen van flenzen voor slijpschijven.
- f) **Gebruik geen afgesleten schijven van grotere elektrische gereedschappen.** Schijven die zijn bedoeld voor grotere elektrische gereedschappen zijn niet geschikt voor de hogere snelheid van een kleiner elektrisch gereedschap en kunnen in stukken breken.

Aanvullende veiligheidswaarschuwingen specifiek voor doorslijpwerkzaamheden:

- a) **Laat de doorslijpschijf niet vastlopen en oefen geen buitensporige druk uit. Probeer niet een buitensporig diepe snede te slijpen.** Een te grote kracht op de schijf verhoogt de belasting en de kans dat de schijf in de snede verdraait of vastloopt, waardoor terugslag kan optreden of de schijf kan breken.
- b) **Plaats uw lichaam niet in één lijn achter de ronddraaiende schijf.** Wanneer de schijf, op het aangrijppunt in het werkstuk, zich van uw lichaam af beweegt, kunnen door de mogelijke terugslag de ronddraaiende schijf en het elektrisch gereedschap in uw richting worden geworpen.
- c) **Wanneer de schijf vastloopt of u het slijpen onderbreekt, schakelt u het elektrisch gereedschap uit en houdt u dit stil totdat de schijf volledig tot stilstand is gekomen. Probeer nooit de doorslijpschijf uit de snede te halen terwijl de schijf nog draait omdat hierdoor een terugslag kan optreden.** Onderzoek waarom de schijf is vastgelopen en tref afdoende maatregelen om de oorzaak ervan op te heffen.
- d) **Begin niet met doorslijpen terwijl de schijf al in het werkstuk steekt. Wacht totdat de schijf de**

volle snelheid heeft bereikt en breng daarna de schijf voorzichtig terug in de snede. Wanneer het elektrisch gereedschap opnieuw wordt gestart terwijl de schijf al in het werkstuk steekt, kan de schijf vastlopen, omhoog lopen of terugslaan.

- e) **Ondersteun platen en grote werkstukken om de kans op het beknellen van de schijf en terugslag te minimaliseren.** Grote werkstukken neigen door te zakken onder hun eigen gewicht. U moet het werkstuk ondersteunen vlakbij de snijlijn en vlakbij de rand van het werkstuk aan beide kanten van de schijf.
- f) **Wees extra voorzichtig bij blind slijpen in bestaande wanden of op andere plaatsen.** De uitstekende schijf kan gas- of waterleidingen, elektrische bedrading of voorwerpen die terugslag veroorzaken raken.

Veiligheidswaarschuwingen specifiek voor schuurwerkzaamheden:

- a) **Gebruik geen veel te grote schuurpaperschijven.** Volg de aanwijzingen van de fabrikant bij uw keuze van het schuurpapier. Te groot schuurpapier dat uitsteekt tot voorbij de rand van het schuurkussen levert snijgevaar op en kan beknellen of scheuren van de schuurpaperschijf of terugslag veroorzaken.

Veiligheidswaarschuwingen specifiek voor draadborstelwerkzaamheden:

- a) **Wees erop bedacht dat ook tijdens normaal gebruik borsteldraden door de borstel worden rondgeslingerd.** Oefen niet te veel kracht uit op de borsteldraden door een te hoge belasting van de borstel. De borsteldraden kunnen met gemak door dunne kleding en/of de huid dringen.
- b) **Als het gebruik van een beschermkap wordt aanbevolen voor draadborstelen, zorgt u ervoor dat de draadschijf of draadborstel niet in aanraking komt met de beschermkap.** De draadschijf of draadborstel kan in diameter toenemen als gevolg van de werkbelasting en centrifugale krachten.

Aanvullende veiligheidswaarschuwingen:

17. **Bij gebruik van een slijpschijf met een verzonken middengat, mag u uitsluitend met glasvezel versterkte schijven gebruiken.**
18. **GEBRUIK NOOIT een stenen komschijf op deze slijpmachine.** Deze slijpmachine is niet ontworpen voor dit type schijven en het gebruik ervan kan leiden tot ernstig persoonlijk letsel.
19. **Let erop dat u de as, de flens (met name de montagekant) en de borgmoer niet beschadigt. Als deze onderdelen beschadigd raken, kan de schijf breken.**
20. **Zorg ervoor dat de schijf niet in aanraking is met het werkstuk voordat u het gereedschap hebt ingeschakeld.**
21. **Laat het gereedschap een tijdje draaien voordat u het werkstuk gaat zagen. Controleer op trillingen of schommelingen die op onjuiste montage of een slecht uitgebalanceerd schijf kunnen wijzen.**
22. **Gebruik de aangegeven kant van de schijf om mee te slijpen.**
23. **Laat het gereedschap niet ingeschakeld liggen. Bedien het gereedschap alleen wanneer u het vasthoudt.**

24. **Raak de schijf niet onmiddellijk na gebruik aan. Deze kan bijzonder heet zijn en brandwonden op uw huid veroorzaken.**
25. **Houd u aan de instructies van de fabrikant voor juiste montage en gebruik van de schijven. Behandel en bewaar de schijven zorgvuldig.**
26. **Gebruik niet afzonderlijke verkleinbussen of adapterringen om slijpschijven met een groot middengat te kunnen monteren.**
27. **Gebruik uitsluitend flenzen die geschikt zijn voor dit gereedschap.**
28. **Voor gereedschappen waarop schijven met schroefdraad in het middengat kunnen worden gemonteerd, controleert u dat de schroefdraad van de schijf lang genoeg is voor de lengte van de as.**
29. **Controleer dat het werkstuk goed wordt ondersteund.**
30. **Wees erop bedacht dat de schijf blijft doordraaien nadat het gereedschap is uitgeschakeld.**
31. **Als de werkrimte bijzonder heet en vochtig is, of sterk vervuild is met geleidend stof, gebruik dan een kortsluitonderbreker (30 mA) om de veiligheid van de gebruiker te garanderen.**
32. **Gebruik het gereedschap niet op materiaal dat asbest bevat.**
33. **Bij gebruik van een doorslijpschijf, gebruikt u altijd de stofbeschermkap, zoals vereist door plaatselijke regelgeving.**
34. **Doorslijpschijven mogen niet worden blootgesteld aan enige laterale druk.**

BEWAAR DEZE INSTRUCTIES.



WAARSCHUWING:

Laat u NIET misleiden door een vals gevoel van comfort en bekendheid met het gereedschap (na veelvuldig gebruik) en neem alle veiligheidsvoorschriften van het betreffende product altijd strikt in acht. **VERKEERD GEBRUIK** of het niet volgen van de veiligheidsinstructies in deze gebruiksaanwijzing kan leiden tot ernstig persoonlijk letsel.

BESCHRIJVING VAN DE FUNCTIES



LET OP:

- Controleer altijd of het gereedschap is uitgeschakeld en de stekker uit het stopcontact is getrokken alvorens de functies van het gereedschap te controleren of af te stellen.

Asvergrendeling



LET OP:

- Bedien de asvergrendeling nooit terwijl de as nog draait. Het gereedschap kan hierdoor worden beschadigd. (zie afb. 1)

Druk op de asvergrendeling om te voorkomen dat de as kan draaien tijdens het monteren of verwijderen van schijven of accessoires.

Werking van de aan/uit-schakelaar

LET OP:

- Controleer altijd, voordat u de stekker in het stopcontact steekt, of de aan/uit-schakelaar op de juiste manier schakelt en weer terugkeert naar de uit-stand nadat deze is losgelaten.
- De aan/uit-schakelaar kan worden vergrendeld in de aan-stand ten behoeve van het gebruikersgemak bij langdurig gebruik. Wees voorzichtig wanneer het gereedschap in de aan-stand is vergrendeld en houd het gereedschap stevig vast. (zie afb. 2)

Voor gereedschappen met een aan-vergrendeling

Om het gereedschap in te schakelen, knijpt u gewoon de aan/uit-schakelaar in (in de richting van pijl B). Laat de aan/uit-schakelaar los om het gereedschap te stoppen. Voor continue werking knijpt u de aan/uit-schakelaar in (in de richting van pijl B) en duwt u vervolgens tegen de vergrendelhendel (in de richting van pijl A). Om vanuit de vergrendelde werking het gereedschap te stoppen, knijpt u de aan/uit-schakelaar helemaal in (in de richting van pijl B) en laat u deze vervolgens weer los.

Voor gereedschappen met een uit-vergrendeling

Om te voorkomen dat de aan/uit-schakelaar per ongeluk wordt bediend, is een vergrendelknop aangebracht. Om het gereedschap te starten, duwt u tegen de uit-vergrendelhendel (in de richting van pijl A) en knijpt u vervolgens de aan/uit-schakelaar in (in de richting van pijl B). Laat de aan/uit-schakelaar los om het gereedschap te stoppen.

Voor gereedschappen met een aan-vergrendeling en een uit-vergrendeling

Om te voorkomen dat de aan/uit-schakelaar per ongeluk wordt bediend, is een vergrendelknop aangebracht. Om het gereedschap te starten, duwt u tegen de uit-vergrendelhendel (in de richting van pijl A) en knijpt u vervolgens de aan/uit-schakelaar in (in de richting van pijl B). Laat de aan/uit-schakelaar los om het gereedschap te stoppen.

Voor continue werking, duwt u tegen de vergrendelhendel (in de richting van pijl A), knijpt u de aan/uit-schakelaar in (in de richting van pijl B), en trekt u vervolgens de vergrendelhendel (in de richting van pijl C).

Om vanuit de vergrendelde werking het gereedschap te stoppen, knijpt u de aan/uit-schakelaar helemaal in (in de richting van pijl B) en laat u deze vervolgens weer los.

Bedrijfslampje (voor de modellen GA7050R en GA9050R) (zie afb. 3)

Het bedrijfslampje gaat branden zodra de stekker van het gereedschap in een stopcontact wordt gestoken. Als het lampje niet brandt, kan het netsnoer beschadigd zijn of de sturing defect. Als het lampje brandt, maar het gereedschap niet start, zelfs niet wanneer de schuifknop in de aan-stand wordt gezet, kunnen de koolborstels versleten zijn, of kunnen de motor, de sturing, of de schuifknop defect zijn.

Onbedoelde herstartpreventie

Zelfs als de aan/uit-schakelaar met de vergrendelknop ingedrukt wordt gehouden (vergrendeld in de aan-stand), kan het gereedschap niet worden gestart door de stekker in het stopcontact te steken.

Op dit moment knipt het bedrijfslampje rood ten teken dat de onbedoelde herstartpreventie werkt.

Om de beveiliging tegen onbedoeld starten te annuleren, knijpt u de aan/uit-schakelaar helemaal in en laat u deze vervolgens weer los.

Zachte-startfunctie

Deze modellen beginnen na het inschakelen eerst langzaam te draaien. Deze zachte-startfunctie zorgt voor een geleidelijkere werking.

DE ONDERDELEN MONTEREN

LET OP:

- Controleer altijd of het gereedschap is uitgeschakeld en de stekker uit het stopcontact is getrokken alvorens enige werk aan het gereedschap uit te voeren.

De zijhandgreep monteren (handvat)

LET OP:

- Controleer altijd voor gebruik dat de zijhandgreep stevig vastzit. (zie afb. 4)

Draai de zijhandgreep vast op het gereedschap in een van de standen aangegeven in de afbeelding.

De beschermkap aanbrengen en verwijderen (voor schijf met een verzonken middengat, multischijf, schijfvormige draadborstel, doorslijpschijf, diamantschijf)

WAARSCHUWING:

- Bij gebruik van een slijpschijf/multischijf met een verzonken middengat, flexischijf of schijfvormige draadborstel moet de beschermkap zodanig op het gereedschap worden gemonteerd dat de gesloten zijde van de kap altijd naar de gebruiker is gekeerd.
- Wanneer u een doorslijpschijf of diamantschijf gebruikt, moet u altijd een beschermkap gebruiken die speciaal ontworpen is voor gebruik met doorslijpschijven. (In Europese landen kan bij gebruik van een diamantschijf de normale beschermkap worden gebruikt.)

Voor gereedschap met een beschermkap met een borgschroef (zie afb. 5)

Monteer de beschermkap met het uitsteeksel op de beschermkaprand uitgelijnd met de inkeping in het lagerhuis. Draai vervolgens de beschermkap 180 graden linksom. Draai tenslotte de schroef stevig vast. Om de beschermkap te verwijderen, volgt u de procedure in omgekeerde volgorde.

Voor gereedschap met een beschermkap met een klemhendel (zie afb. 6 en 7)

Maak de hendel op de beschermkap los. Monteer de beschermkap met het uitsteeksel op de beschermkaprand uitgelijnd met de inkeping in het lagerhuis. Draai vervolgens de beschermkap rond tot de stand aangegeven in de afbeelding. Draai de hendel vast om de beschermkap vast te zetten. Als de hendel te vast of te los zit om de beschermkap te bevestigen, draait u de moer los of vast om de klemkracht van de beschermkap-band in te stellen.

Om de beschermkap te verwijderen, volgt u de procedure in omgekeerde volgorde.

Een slijpschijf/multischijf met een verzonken middengat (optioneel accessoire) aanbrengen of verwijderen

WAARSCHUWING:

- Gebruik altijd de bijgeleverde beschermkap wanneer u met een slijpschijf/multischijf met een verzonken middengat werkt. De schijf kan tijdens het gebruik kapotslaan en de beschermkap helpt verwondingen voorkomen. (zie afb. 8)

Breng de binnenflens aan op de as. Monteer de schijf op de binnenflens en schroef de borgmoer op de as.

WAARSCHUWING:

- Gebruik nooit een slijpschijf die dikker is dan 6,5 mm.

Superflens

Modellen voorzien van de letter F zijn standaard uitgerust met een superflens. In vergelijking met een conventionele flens, is hierbij slechts 1/3 van de kracht nodig om de borgmoer los te draaien.

OPMERKING:

- Alleen voor gereedschappen met asschroefdraad M14

Voor Australië en Nieuw-Zeeland (zie afb. 9)

Breng de binnenflens aan op de as. Monteer de schijf op de binnenflens en schroef de borgmoer op de as met het uitsteeksel omlaag gericht (in de richting van de schijf). Om de borgmoer vast te draaien, drukt u de asvergrendeling stevig in zodat de as niet kan draaien, en gebruikt u vervolgens de borgmoersleutel om de borgmoer stevig rechtsom vast te draaien. (zie afb. 10) Om de schijf te verwijderen, volgt u de procedure in omgekeerde volgorde.

Een schuurschijf (optioneel accessoire) aanbrengen of verwijderen

OPMERKING:

- Gebruik uitsluitend schuuraccessoires die in deze gebruiksaanwijzing worden aangegeven. Deze dienen apart te worden aangeschaft. (zie afb. 11)

Breng de rubberen rugschijf aan op de as. Breng de schuurschijf aan op de rubberen rugschijf en draai de borgmoer op de as. Om de borgmoer vast te draaien, drukt u de asvergrendeling stevig in zodat de as niet kan draaien, en gebruikt u vervolgens de borgmoersleutel om de borgmoer stevig rechtsom vast te draaien. Om de schuurschijf te verwijderen, volgt u de procedure in omgekeerde volgorde.

De Ezynut (optioneel accessoire) aanbrengen of verwijderen

LET OP:

- Gebruik de Ezynut niet met een superflens of een haakse slijpmachine met een 'F' achteraan het modelnummer. Dergelijke flenzen zijn zo dik dat niet de gehele schroefdraad op de as kan worden gedraaid. (zie afb. 12)

Breng de binnenflens, slijpschijf/diamantschijf en Ezynut zodanig aan op de as dat het Makita-logo op de Ezynut naar buiten is gericht. (zie afb. 13)

Druk de asvergrendeling in en draai de Ezynut vast door de slijpschijf/multischijf zo ver mogelijk rechtsom te draaien.

Draai de buitenring van de Ezynut linksom om deze los te draaien. (zie afb. 14 en 15)

OPMERKING:

- De Ezynut kan met de hand worden losgedraaid wanneer de pijl naar de nok wijst. Anders is een borgmoersleutel nodig om hem los te draaien. Steek één pen van de sleutel in een gat en draai de Ezynut linksom.
- Alleen voor gereedschappen met asschroefdraad M14

GEBRUIK

WAARSCHUWING:

- Het moet nooit nodig zijn om grote kracht uit te oefenen op het gereedschap. Het gewicht van het gereedschap zorgt al voor voldoende druk op het werkstuk. Grote kracht en hoge druk uitoefenen kunnen ertoe leiden dat de schijf breekt. Dit is zeer gevaarlijk.
- Vervang de schijf ALTIJD als het gereedschap tijdens het slijpen is gevallen.
- Stoot of sla NOOIT met de slijpschijf tegen het werkstuk.
- Voorkom dat de schijf over het werkstuk huppelt of bekneld raakt tijdens het werken in hoeken, op scherpe randen, enz. Hierdoor kunt u de controle over het gereedschap verliezen of kan terugslag worden veroorzaakt.
- Gebruik het gereedschap NOOIT met zaagbladen en dergelijke. Als dergelijke zaagbladen op een slijpmachine worden gebruikt, versperren ze veelal waardoor u de controle over het gereedschap verliest en persoonlijk letsel kan ontstaan.

LET OP:

- Schakel het gereedschap nooit in terwijl deze het werkstuk raakt omdat hierdoor de gebruiker kan worden verwond.
- Draag tijdens het gebruik altijd een veiligheidsbril of spatscherm.
- Schakel na gebruik altijd het gereedschap uit en wacht totdat de schijf volledig tot stilstand is gekomen alvorens het gereedschap neer te leggen.

Gebruik als slijpmachine of schuurmachine (zie afb. 16)

Houd het gereedschap ALTIJD stevig vast met een hand aan de achterhandgreep en de andere hand aan de zijhandgreep. Schakel het gereedschap in en breng daarna de schijf in aanraking met het werkstuk.

In het algemeen geldt: houd de rand van de schijf onder een hoek van ongeveer 15 graden op het oppervlak van het werkstuk.

Tijdens de inlooperperiode van een nieuwe schijf, mag u de slijpmachine niet in de richting van pijl B gebruiken omdat de schijf dan in het werkstuk zal snijden. Nadat de rand van de schijf is afgerond door gebruik, kunt u de schijf in de richting van zowel pijl A als B gebruiken.

Gebruik met een komvormige draadborstel (optioneel accessoire)

LET OP:

- Controleer de werking van de draadborstel door het gereedschap onbelast te laten draaien terwijl u erop let dat niemand vóór of in één lijn met de draadborstel staat.
- Gebruik de draadborstel niet wanneer deze beschadigd is of onbalans heeft. Het gebruik van een beschadigde draadborstel verhoogt de kans op verwonding door aanraking van afgebroken borsteldraadjes. (zie afb. 17)

Trek de stekker uit het stopcontact en leg het gereedschap ondersteboven zodat u goed bij de as kan. Verwijder het accessoire vanaf de as. Brengt de komvormige draadborstel aan op de as en zet hem vast met behulp van de bijgeleverde sleutel. Voorkom tijdens gebruik van de draadborstel te veel druk waardoor de draadjes te veel verbuigen en daardoor te vroeg afbreken.

Gebruik met een schijfvormige draadborstel (optioneel accessoire)

LET OP:

- Controleer de werking van de schijfvormige draadborstel door het gereedschap onbelast te laten draaien terwijl u erop let dat niemand vóór of in één lijn met de schijfvormige draadborstel staat.
- Gebruik de schijfvormige draadborstel niet wanneer deze beschadigd is of onbalans heeft. Het gebruik van een beschadigde schijfvormige draadborstel verhoogt de kans op verwonding door aanraking van afgebroken borsteldraadjes.
- Gebruik bij de schijfvormige draadborstel ALTIJD de beschermkap, waarbij de buitendiameter van de schijfvormige draadborstel binnenin de beschermkap moet vallen. De schijf kan tijdens het gebruik kapotslaan en de beschermkap helpt verwondingen voorkomen. (zie afb. 18)

Trek de stekker uit het stopcontact en leg het gereedschap ondersteboven zodat u goed bij de as kan. Verwijder het accessoire vanaf de as. Draai de schijfvormige draadborstel op de as en zet hem vast met de sleutels.

Voorkom tijdens gebruik van de schijfvormige draadborstel te veel druk waardoor de draadjes te veel verbuigen en daardoor te vroeg afbreken.

Gebruik met een doorslijpschijf of diamantschijf (optioneel accessoire)

WAARSCHUWING:

- Wanneer u een doorslijpschijf of diamantschijf gebruikt, moet u altijd een beschermkap gebruiken die speciaal ontworpen is voor gebruik met doorslijpschijven. (In Europese landen kan bij gebruik van een diamantschijf de normale beschermkap worden gebruikt.)
- Gebruik NOOIT een doorslijpschijf om zijdelings mee te slijpen.
- Laat de schijf niet vastlopen en oefen geen buitensporige druk uit. Probeer niet een buitensporig diepe snede te slijpen. Een te grote kracht op de schijf verhoogt de belasting en de kans dat de schijf in de snede verdraait of vastloopt, waardoor terugslag kan

optreden, de schijf kan breken of de motor oververhit kan raken.

- Begin niet met doorslijpen terwijl de schijf al in het werkstuk steekt. Laat de schijf eerst de volle snelheid bereiken en breng daarna de schijf voorzichtig in de snede door het gereedschap naar voren over het werkstukoppervlak te bewegen. Wanneer het elektrisch gereedschap wordt gestart terwijl de schijf al in het werkstuk steekt, kan de schijf vastlopen, omhoog lopen of terugslaan.
- Tijdens het doorslijpen mag u nooit de hoek van de schijf veranderen. Door zijdelingse druk uit te oefenen op de schijf (zoals bij schuren), zal de schijf barsten en breken waardoor ernstig persoonlijk letsel wordt veroorzaakt.
- Een diamantschijf moet haaks op het door te slijpen werkstuk worden gebruikt.

Breng de binnenflens aan op de as. Monteer de schijf op de binnenflens en schroef de borgmoer op de as. (zie afb. 19)

Wanneer u een doorslijpschijf of diamantschijf aanbrengt met een schijflichaam van 7 mm dikte of meer, monteert u de borgmoer met zijn cirkelvormige geleider (uitsteeksel) voor het middengat van de schijf in de richting van de schijf.

Voor Australië en Nieuw-Zeeland

Een doorslijpschijf of diamantschijf (optioneel accessoire) aanbrengen en verwijderen (zie afb. 20)

ONDERHOUD

LET OP:

- Zorg er altijd voor dat het gereedschap is uitgeschakeld en de stekker uit het stopcontact is getrokken, voordat u een inspectie of onderhoud uitvoert.
- Gebruik nooit benzine, wasbenzine, thinner, alcohol, enz. Dit kan leiden tot verkleuren, vervormen of barsten.

Het gereedschap en de ventilatieopeningen moeten schoon gehouden worden. Maak de ventilatieopeningen van het gereedschap regelmatig schoon of zodra de ventilatieopeningen verstopt dreigen te raken. (zie afb. 21)

De koolborstels vervangen (zie afb. 22)

Wanneer de isolatiepunt binnenin de koolborstel bloot ligt en de collector raakt, schakelt deze automatisch de motor uit. Wanneer dit gebeurt, moeten beide koolborstels worden vervangen. Houd de koolborstels schoon en zorg ervoor dat ze vrij kunnen bewegen in de houders. Beide koolborstels dienen tegelijkertijd te worden vervangen. Gebruik alleen identieke koolborstels.

Gebruik een schroevendraaier om de koolborsteldoppen te verwijderen. Haal de versleten koolborstels eruit, plaats de nieuwe erin, en zet de koolborsteldoppen goed vast.

(zie afb. 23)

Om de VEILIGHEID en BETROUWBAARHEID van het gereedschap te handhaven, dienen alle reparaties, onderhoud en afstellingen te worden uitgevoerd door een erkend Makita-servicecentrum, en altijd met gebruikmaking van originele Makita-ervangingsonderdelen.

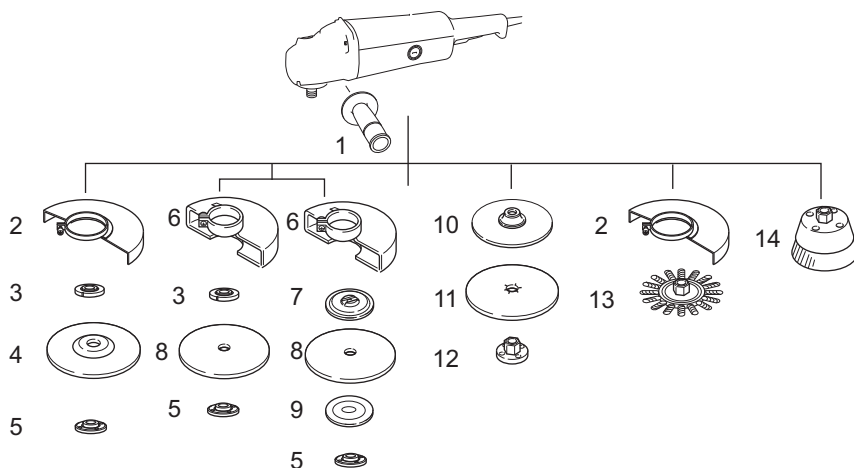
VERKRIJGBARE ACCESSOIRES

⚠ LET OP:

- Deze accessoires of hulpstukken worden aanbevolen voor gebruik met het Makita-gereedschap dat in deze gebruiksaanwijzing wordt beschreven. Het gebruik van andere accessoires of hulpstukken kan gevaar voor

persoonlijk letsel opleveren. Gebruik de accessoires of hulpstukken uitsluitend voor de aangegeven gebruiksdoeleinden.

Mocht u meer informatie willen hebben over deze accessoires, dan kunt u contact opnemen met uw plaatselijke Makita-servicecentrum.



| | |
|----|---|
| 1 | Zijhandgreep |
| 2 | Beschermkap voor slijpschijf, multischijf of schijfvormige draadborstel met een verzonken middengat |
| 3 | Binnenflens/superflens*1 *2 |
| 4 | Slijpschijf of multischijf met verzonken middengat |
| 5 | Borgmoer/Ezynut*1 |
| 6 | Beschermkap voor doorslijpschijf of diamantschijf ³ |
| 7 | Binnenflens 78 (alleen voor Australië en Nieuw-Zeeland) ⁴ |
| 8 | Doorslijpschijf of diamantschijf |
| 9 | Buitenflens 78 (alleen voor Australië en Nieuw-Zeeland) ⁴ |
| 10 | Rubberen rugschijf |
| 11 | Schuurschijf |
| 12 | Borgmoer voor schuren |
| 13 | Schijfvormige draadborstel |
| 14 | Komvormige draadborstel |
| - | Borgmoersleutel |
| - | Stofscherm |

*1 Alleen voor gereedschappen met asschroefdraad M14.

*2 De superflens en de Ezynut mogen niet tezamen worden gebruikt.

*3 In sommige Europese landen kan bij gebruik van een diamantschijf de normale beschermkap worden gebruikt in plaats van de speciale beschermkap die beide zijden van de schijf afschermt. Houd u aan de regelgeving in uw land.

*4 Gebruik binnenflens 78 en buitenflens 78 tezamen (alleen voor Australië en Nieuw-Zeeland).

013353

OPMERKING:

- Sommige items op de lijst kunnen zijn inbegrepen in de doos van het gereedschap als standaard toebehoren. Zij kunnen van land tot land verschillen.

Geluid

ENG905-1

De typische, A-gewogen geluidsniveaus zijn gemeten volgens EN60745:

Modellen GA7050, GA7050R, GA9050, GA9050RGeluidsdrukniveau (L_{pA}): 94 dB (A)Geluidsvermogeniveau (L_{WA}): 105 dB (A)

Onzekerheid (K): 3 dB (A)

Draag gehoorbescherming.**Trilling**

ENG900-1

De totale trillingswaarde (triaxiale vectorsom) zoals vastgesteld volgens EN60745:

Modellen GA7050 en GA7050R

Gebruikstoepassing: slijpen van oppervlakken

Trillingsemisatie ($a_{h,AG}$): 6,5 m/s²Onzekerheid (K): 1,5 m/s²

Gebruikstoepassing: schuren met schijf

Trillingsemisatie ($a_{h,DS}$): 4,0 m/s²Onzekerheid (K): 1,5 m/s²**Modellen GA9050 en GA9050R**

Gebruikstoepassing: slijpen van oppervlakken

Trillingsemisatie ($a_{h,AG}$): 5,5 m/s²Onzekerheid (K): 1,5 m/s²

Gebruikstoepassing: schuren met schijf

Trillingsemisatie ($a_{h,DS}$): 2,5 m/s²Onzekerheid (K): 1,5 m/s²

ENG902-1

- De opgegeven trillingsemisiewaarde is gemeten volgens de standaardtestmethode en kan worden gebruikt om dit gereedschap te vergelijken met andere gereedschappen.
- De opgegeven trillingsemisiewaarde kan ook worden gebruikt voor een beoordeling vooraf van de blootstelling.
- De opgegeven trillingsemisiewaarde wordt gebruikt bij veel toepassingen van het elektrisch gereedschap. Echter, indien het elektrisch gereedschap wordt gebruikt bij andere toepassingen, dan kan de trillingsemisiewaarde anders zijn.

 WAARSCHUWING:

- De trillingsemisatie tijdens het gebruik van het elektrisch gereedschap in de praktijk kan verschillen van de opgegeven trillingsemisiewaarde afhankelijk van de manier waarop het gereedschap wordt gebruikt.
- Zorg ervoor dat veiligheidsmaatregelen worden getroffen ter bescherming van de operator die zijn gebaseerd op een schatting van de blootstelling onder praktijkomstandigheden (rekening houdend met alle fasen van de bedrijfscyclus, zoals de tijdsduur gedurende welke het gereedschap is uitgeschakeld en stationair draait, naast de uitgeschakelde tijdsduur).

Alleen voor Europese landen

ENH101-17

EU-verklaring van conformiteit**Makita verklaart dat de volgende machine(s):**

Aanduiding van de machine:

Haakse slijpmachine

Modelnr./Type: GA7050, GA7050R, GA9050 en GA9050R

Voldoen aan de volgende Europese richtlijnen:

2006/42/EG

Deze zijn gefabriceerd in overeenstemming met de volgende normen of genormaliseerde documenten:

EN60745

Het technische bestand volgens 2006/42/EG is verkrijgbaar bij:

Makita, Jan-Baptist Vinkstraat 2, 3070, België

31. 12. 2013



Yasushi Fukaya
Directeur

Makita, Jan-Baptist Vinkstraat 2, 3070, België

ESPAÑOL (Instrucciones originales)

Explicación de los dibujos

- | | | |
|----------------------------------|---|--|
| 1. Bloqueo del eje | 14. Llave de la contratuerca | 25. Protector de disco para el disco de corte abrasivo/disco de diamante |
| 2. Gatillo interruptor | 15. Disco abrasivo | 26. Brida exterior 78 |
| 3. Palanca de bloqueo | 16. Almohadilla de goma | 27. Brida interior 78 |
| 4. Luz indicadora | 17. Ezynut | 28. Salida de ventilación |
| 5. Protector del disco | 18. Disco abrasivo/Multidisco | 29. Entrada de ventilación |
| 6. Tornillo | 19. Eje | 30. Conmutador |
| 7. Alojamiento de cojinetes | 20. Flecha | 31. Punta aislante |
| 8. Tuerca | 21. Muesca | 32. Escobilla de carbón |
| 9. Palanca | 22. Cepillo de copa de alambre | 33. Tapa del portaescobillas |
| 10. Contratuerca | 23. Cepillo de disco de alambre | 34. Destornillador |
| 11. Disco con el centro rebajado | 24. Disco de corte abrasivo/disco de diamante | |
| 12. Brida interior | | |
| 13. Brida superior | | |

ESPECIFICACIONES

| Modelo | GA7050 | GA7050R | GA9050 | GA9050R |
|---|----------------------------------|-----------------------------|-----------------------------|-----------------------------|
| Diámetro del disco con el centro hundido | 180 mm | 180 mm | 230 mm | 230 mm |
| Grosor máx. del disco | 6,5 mm | 6,5 mm | 6,5 mm | 6,5 mm |
| Rosca del eje | M14 o 5/8" (específico del país) | | | |
| Velocidad en vacío (n_0) Velocidad nominal (n) | 8.500 (min^{-1}) | 8.500 (min^{-1}) | 6.600 (min^{-1}) | 6.600 (min^{-1}) |
| Longitud total | 432 mm | 455 mm | 432 mm | 455 mm |
| Peso neto | 4,5 kg | 4,6 kg | 4,7 kg | 4,8 kg |
| Clase de seguridad | II/II | | | |

- Debido a nuestro programa continuo de investigación y desarrollo, las especificaciones aquí descritas están sujetas a cambios sin previo aviso.
- Las especificaciones pueden ser diferentes de un país a otro.
- Peso de acuerdo con el procedimiento EPTA 01/2003

Símbolos

END202-8

Se utilizan los siguientes símbolos para el equipo. Asegúrese de que comprende su significado antes del uso.



..... Lea el manual de instrucciones.



..... DOBLE AISLAMIENTO



..... Utilice gafas de seguridad.



..... Sólo para países de la Unión Europea ¡No deseche los aparatos eléctricos junto con los residuos domésticos! De conformidad con la Directiva Europea sobre residuos de aparatos eléctricos y electrónicos y su aplicación de acuerdo con la legislación nacional, las herramientas eléctricas cuya vida útil haya llegado a su fin se deberán recoger por separado y trasladar a una planta de reciclaje que cumpla con las exigencias ecológicas.

Uso previsto

ENE048-1

Esta herramienta está pensada para amolar, lijar y cortar metales y piedras sin usar agua.

Alimentación

ENF002-2

La herramienta debe conectarse solamente a una fuente de alimentación de la misma tensión que la indicada en la placa de características, y sólo puede funcionar con corriente alterna monofásica. La herramienta cuenta con un doble aislamiento y puede, por lo tanto, usarse también en tomacorrientes sin conductor de tierra.

Para el modelo GA7050, GA9050

ENF100-1

En sistemas públicos de distribución de baja tensión, entre 220 V y 250 V.

Cambiar de operaciones en los aparatos eléctricos puede provocar fluctuaciones de tensión. El funcionamiento de esta herramienta en condiciones desfavorables de alimentación eléctrica puede afectar negativamente al funcionamiento de otros equipos. Con una impedancia eléctrica igual o inferior a 0,22 ohmios, se puede prever que no habrá ningún efecto negativo. La toma de corriente que se utilice para esta herramienta debe estar protegida con un fusible o disyuntor de protección con características de disyunción lenta.

Advertencias de seguridad generales para herramientas eléctricas

GEA010-1

⚠️ ADVERTENCIA Lea todas las advertencias de seguridad y todas las instrucciones. La no observancia de las advertencias y las instrucciones puede provocar descargas eléctricas, incendios y/o lesiones graves.

Guarde todas las advertencias e instrucciones para futuras consultas.

ADVERTENCIAS DE SEGURIDAD DE LA ESMERILADORA

GEB033-7

Advertencias de seguridad generales para operaciones de amolado, lijado, cepillado con alambre o corte abrasivo:

1. **Esta herramienta eléctrica está pensada para ser utilizada como esmeriladora, lijadora, cepillo de alambre o cortadora. Lea todas las advertencias de seguridad, instrucciones, ilustraciones y especificaciones que acompañan a esta herramienta eléctrica.** No seguir todas las instrucciones que se indican a continuación podría provocar una descarga eléctrica, incendio o lesiones graves.
2. **No se recomienda utilizar esta herramienta para operaciones tales como pulir.** El uso de la herramienta en aplicaciones para las cuales no ha sido diseñada puede generar peligros y ocasionar daños personales.
3. **No utilice accesorios diferentes de aquellos que el fabricante haya diseñado o recomendado especialmente para esta herramienta.** El hecho de que el accesorio pueda montarse en la herramienta no garantiza que sea seguro.
4. **Las revoluciones nominales del accesorio deben ser como mínimo iguales a la velocidad máxima indicada en la herramienta.** Si un accesorio se mueve a una velocidad mayor a la admisible, podría romperse y salir despedido.
5. **El diámetro exterior y el grosor del accesorio deben encontrarse dentro de la capacidad de la herramienta.** Los accesorios de tamaño incorrecto no pueden protegerse ni controlarse correctamente.
6. **La rosca de montaje de los accesorios debe coincidir con la rosca del husillo de la esmeriladora. Para accesorios montados con bridas, el orificio del accesorio debe encajar en el diámetro del alojamiento de la brida.** Los accesorios que no se ajustan correctamente a las piezas de montaje de la herramienta giran descentrados, vibran en exceso y pueden hacer perder el control de la herramienta.
7. **No utilice accesorios dañados. Antes de cada uso inspeccione los accesorios con el fin de detectar, por ejemplo, si un disco abrasivo está astillado o agrietado, si un plato lijador está agrietado, roto o desgastado en exceso, o si un cepillo de alambre contiene púas sueltas o rotas. Si se cae la herramienta o el accesorio, compruebe si ha**

sufrido algún daño o monte un accesorio en buen estado. Una vez revisado y montado un accesorio, colóquese usted y las personas circundantes fuera del plano de rotación del accesorio y deje funcionar la herramienta eléctrica en vacío a velocidad máxima durante un minuto. Por norma general, los accesorios que están dañados se rompen durante este tiempo de prueba.

8. **Utilice equipo de protección personal.** Dependiendo del trabajo, utilice una careta, protección para los ojos o gafas de seguridad. Si fuera necesario, utilice una mascarilla antipolvo, protectores auditivos, guantes y un mandil adecuado para protegerse de los pequeños fragmentos que pudieran salir proyectados. Las gafas de protección deberán ser indicadas para detener los pequeños fragmentos que pudieran salir proyectados al trabajar. La mascarilla antipolvo o respiradora debe ser apta para filtrar las partículas producidas al trabajar. Una exposición prolongada al ruido puede producir pérdidas auditivas.
9. **Encárguese de que todas las personas se mantengan a suficiente distancia de la zona de trabajo. Toda persona que acceda a la zona de trabajo deberá utilizar equipo de protección personal.** Podrían resultar dañadas, incluso fuera del área de trabajo inmediata, al salir proyectados fragmentos de la pieza de trabajo o del accesorio.
10. **Sujete la herramienta eléctrica sólo por las superficies de agarre aisladas al realizar una operación en la que el accesorio de corte pueda entrar en contacto con cables ocultos o con su propio cable.** Si entra en contacto con un cable con corriente, puede que las piezas metálicas expuestas de la herramienta eléctrica se carguen también de corriente y que el operario reciba una descarga.
11. **Mantenga el cable alejado del accesorio en funcionamiento.** En caso de perder el control, el cable de red podría enredarse o cortarse con el accesorio y arrastrar de esta forma su mano hacia el mismo.
12. **Jamás deposite la herramienta eléctrica hasta que el accesorio se haya detenido por completo.** El accesorio en funcionamiento podría entrar en contacto con la superficie de apoyo y hacerle perder el control sobre la herramienta.
13. **No deje funcionar la herramienta eléctrica mientras la transporta.** El accesorio en funcionamiento podría ocasionarle daños personales al engancharse accidentalmente en su vestimenta.
14. **Limpie periódicamente los orificios de ventilación de la herramienta.** El ventilador del motor aspira polvo hacia el interior de la carcasa y, en caso de acumularse un exceso de polvo metálico, podría provocar una descarga eléctrica.
15. **No utilice la herramienta eléctrica cerca de materiales inflamables.** Las chispas podrían inflamarlos.
16. **No emplee accesorios que requieran ser refrigerados con líquidos.** El uso de agua u otros refrigerantes líquidos puede provocar una descarga o electrocución.

Contragolpes y advertencias al respecto

El contragolpe es una reacción brusca que se produce al atascarse o engancharse un disco de amolar, un plato lijador, un cepillo de alambre u otro accesorio. Al atascarse o engancharse el accesorio en funcionamiento, éste es frenado bruscamente y puede hacer perder el control sobre la herramienta eléctrica, impulsándola en la dirección opuesta al sentido de giro que tenía el accesorio en el momento de agarrotarse.

Por ejemplo, si un disco de amolar se atasca o engancha en la pieza de trabajo, puede suceder que el borde del accesorio que entra en el material quede bloqueado, provocando la rotura del accesorio o un contragolpe. Según el sentido de giro del disco en el momento de bloquearse, puede que éste resulte despedido en dirección al operario o en sentido opuesto. En este caso también puede suceder que los discos de amolar se rompan.

El contragolpe es el resultado de un mal uso de la herramienta eléctrica o de condiciones o procedimientos de uso incorrectos y se puede evitar tomando las precauciones que se indican a continuación.

- a) **Sujete con firmeza la herramienta eléctrica y mantenga su cuerpo y brazos en una posición que le permita resistir los contragolpes. Si forma parte del equipo, utilice siempre la empuñadura auxiliar para poder controlar mejor las fuerzas derivadas del contragolpe o los pares de reacción durante la puesta en marcha.** El operario puede controlar los pares de reacción y las fuerzas derivadas del contragolpe si toma las medidas oportunas.
- b) **Jamás aproxime la mano al accesorio en funcionamiento.** En caso de contragolpe el accesorio podría dañarle la mano.
- c) **No se coloque en el área hacia donde se movería la herramienta en caso de contragolpe.**

En caso de contragolpe la herramienta saldrá rechazada en sentido opuesto al movimiento del disco.

- d) **Preste especial atención al trabajar en esquinas, bordes afilados, etc. Evite que el accesorio rebote o se atasque.** En las esquinas, bordes afilados, o al rebotar, el accesorio en funcionamiento tiende a atascarse y puede provocar la pérdida de control o un contragolpe.
- e) **No utilice hojas de sierra para maderas ni otros accesorios dentados.** Estos accesorios son propensos al rechazo y pueden hacerle perder el control.

Advertencias de seguridad específicas para operaciones de amolado y corte abrasivo:

- a) **Utilice únicamente los tipos de discos recomendados para su herramienta eléctrica y el protector correcto para el disco en cuestión.** Los discos que no fueron diseñados para esta herramienta no pueden quedar suficientemente protegidos y suponen un peligro.
- b) **La superficie de esmerilado de los discos de centro hundido se debe montar debajo del borde de la protección.** Un disco montado incorrectamente que salga del plano del borde de la protección no se puede proteger adecuadamente.
- c) **Para obtener el nivel máximo de seguridad, el protector debe estar bien sujeto y colocado en la herramienta eléctrica, de forma que el operario**

esté expuesto a una parte mínima del disco. El protector ayuda a proteger al operario de fragmentos de disco rotos, un contacto accidental con el disco y chispas que podrían prender fuego a la ropa.

- d) **Utilice el disco solamente en aquellos trabajos para los que fue concebido. Por ejemplo: no emplee las caras de un disco de corte para amolar.** Los discos de corte abrasivos están previstos para amolar utilizando su periferia; la aplicación de fuerzas en sus caras puede hacer que se rompan.
- e) **Utilice siempre bridas que estén en buen estado y que tengan las dimensiones y la forma correctas para el disco utilizado.** Una brida adecuada soporta correctamente el disco reduciendo así el peligro de rotura. Las bridas para discos de corte pueden ser diferentes de aquellas para los discos de amolar.
- f) **No utilice discos gastados de herramientas de mayor tamaño.** Los discos destinados a una herramienta eléctrica más grande no son aptos para soportar la mayor velocidad de las herramientas más pequeñas y podrían romperse.

Advertencias de seguridad adicionales específicas para operaciones de corte abrasivo:

- a) **No haga demasiada fuerza ni aplique demasiada presión con el disco de corte. No intente hacer cortes de una profundidad excesiva.** Si el disco se somete a una fuerza excesiva aumenta la carga y las posibilidades de que se doble o se agarrote en el corte, así como de que se rompa o se produzca un contragolpe.
- b) **No se coloque en línea ni detrás del disco en funcionamiento.** Cuando el disco está en funcionamiento y se mueve en dirección opuesta a usted, un contragolpe podría proyectar el disco y la herramienta en dirección a usted.
- c) **Cuando la hoja esté agarrotada o se interrumpa la operación de corte, apague la herramienta eléctrica y manténgala en posición inmóvil hasta que el disco se detenga por completo. No intente extraer el disco del corte mientras esté en funcionamiento, ya que de lo contrario podría producirse un contragolpe.** Investigue y tome las acciones correctoras para eliminar la causa del agarrotamiento del disco.
- d) **No reanude la operación de corte con la herramienta en la pieza de trabajo. Deje que el disco alcance la velocidad máxima y vuelva a introducirlo en el corte con cuidado.** Si la herramienta se vuelve a poner en marcha dentro de la pieza de trabajo, el disco podría doblarse, salirse o provocar un contragolpe.
- e) **Apoye los paneles y otras piezas de trabajo de tamaño excesivo para reducir el peligro de que el disco se atasque o se produzca un contragolpe.** Las piezas de trabajo grandes tienden a hundirse bajo su propio peso. Deben colocarse soportes bajo la pieza de trabajo a ambos lados, cerca de la línea de corte y del borde de la pieza de trabajo.
- f) **Tenga especial cuidado cuando realice un “corte de inmersión” en paredes u otras áreas ciegas.** Al salir por el otro lado, el disco podría cortar un tubo de gas o de agua, un cable eléctrico u otro objeto que podría provocar un contragolpe.

Advertencias de seguridad específicas para operaciones de lijado:

- a) No utilice papel de lija de tamaño excesivo para el disco. Seleccione el papel de lija conforme a las recomendaciones del fabricante. El exceso de papel de lija que sobresale del plato lijador supone un peligro de desgarro y puede provocar que el disco se enganche o se rompa o que se produzca un contragolpe.

Advertencias de seguridad específicas para las operaciones de cepillado con alambre:

- a) Tenga presente que el alambre del cepillo sale despedido incluso durante el funcionamiento normal. No sobrecargue los alambres aplicando una fuerza excesiva al disco. Los alambres pueden penetrar con facilidad a través de una prenda delgada y / o la piel.
- b) Si se recomienda utilizar un protector durante las operaciones de cepillado, impida que el disco o cepillo de alambre interfiera en el protector. El diámetro del disco o cepillo de alambre puede aumentar a causa de la carga de trabajo y las fuerzas centrifugas.

Advertencias de seguridad adicionales:

17. Cuando utilice discos de amolar con el centro hundido, asegúrese de emplear solamente discos reforzados con fibra de vidrio.
18. **NUNCA UTILICE** discos de copa para piedra con esta esmeriladora. Esta esmeriladora no se ha diseñado para este tipo de discos y su uso puede provocar graves lesiones corporales.
19. Tenga cuidado de no dañar el husillo, la brida (especialmente la superficie de instalación) ni la contratuerca. Si se dañan estas piezas, el disco podría romperse.
20. Asegúrese de que el disco no esté tocando la pieza de trabajo antes de activar el interruptor.
21. Antes de utilizar la herramienta en una pieza de trabajo, déjela en marcha durante unos instantes. Esté atento por si se producen vibraciones u oscilaciones, lo que indicaría que el disco no se ha instalado correctamente o que está mal equilibrado.
22. Para realizar las tareas de amolado, use la superficie del disco especificada.
23. No deje la herramienta encendida. Póngala en marcha solamente cuando la tenga en las manos.
24. No toque la pieza de trabajo inmediatamente después de la tarea, ya que puede estar extremadamente caliente y producir quemaduras en la piel.
25. Observe las instrucciones del fabricante para montar y utilizar correctamente los discos. Maneje y guarde con cuidado los discos.
26. No utilice bujes de reducción ni adaptadores separados para adaptar discos abrasivos de orificio grande.
27. Utilice sólo las bridas especificadas para esta herramienta.
28. En herramientas que vayan a ser utilizadas con discos de orificio roscado, asegúrese de que la rosca del disco sea lo suficientemente larga como para acomodar la longitud del eje.

29. Compruebe que la pieza de trabajo esté bien sujeta.
30. Tenga en cuenta que el disco continuará girando después de haber apagado la herramienta.
31. Si el lugar de trabajo es muy caluroso y húmedo, o si está muy contaminado con polvo conductor, utilice un disyuntor de cortocircuito (30 mA) para garantizar la seguridad del operario.
32. No utilice la herramienta con ningún material que contenga amianto.
33. Cuando utilice un disco de cortar, trabaje siempre con el protector de disco colector de polvo requerido por el reglamento de su país o región.
34. Los discos de cortar no deben ser sometidos a ninguna presión lateral.

GUARDE ESTAS INSTRUCCIONES.

⚠ ADVERTENCIA:

NO deje que la comodidad o la familiaridad con el producto (a base de utilizarlo repetidamente) sustituya la estricta observancia de las normas de seguridad del producto en cuestión. El MAL USO o la no observancia de las normas de seguridad expuestas en este manual de instrucciones pueden ocasionar graves daños corporales.

DESCRIPCIÓN DEL FUNCIONAMIENTO

⚠ PRECAUCIÓN:

- Asegúrese siempre de que la herramienta esté apagada y desenchufada antes de intentar realizar cualquier tipo de ajuste o comprobación en ella.

Bloqueo del eje

⚠ PRECAUCIÓN:

- No accione nunca el bloqueo del eje cuando el eje se esté moviendo ya que, de lo contrario, la herramienta podría averiarse. (Fig. 1)

Al instalar o extraer los accesorios, presione el bloqueo del eje para evitar que gire el eje.

Acción del gatillo interruptor

⚠ PRECAUCIÓN:

- Antes de enchufar la herramienta, compruebe siempre que el gatillo interruptor se acciona debidamente y que regresa a la posición "OFF" cuando se suelta.
- El interruptor se puede bloquear en la posición "ON" para aumentar la comodidad del operario durante el uso prolongado. Tenga cuidado cuando bloquee la herramienta en la posición "ON" y sujete la herramienta firmemente. (Fig. 2)

Para herramientas con interruptor de bloqueo

Para poner en marcha la herramienta, simplemente accione el interruptor disparador (en la dirección B). Suelte el gatillo interruptor para detener la herramienta. Para un uso continuo, tire del interruptor disparador (en la dirección B) y después pulse el botón de bloqueo (en la dirección A). Para detener la herramienta desde la

posición de bloqueo, tire totalmente del interruptor disparador (en la dirección B) y suéltelo.

En herramientas con interruptor de desbloqueo

Para evitar que el disparador del interruptor se accione accidentalmente se proporciona una palanca de bloqueo. Para poner en marcha la herramienta, empuje la palanca de bloqueo (en la dirección A) y tire del disparador del interruptor (en la dirección B). Suelte el gatillo interruptor para detener la herramienta.

Para herramientas con interruptor de bloqueo y desbloqueo

Para evitar que el disparador del interruptor se accione accidentalmente se proporciona una palanca de bloqueo. Para poner en marcha la herramienta, empuje la palanca de bloqueo (en la dirección A) y tire del disparador del interruptor (en la dirección B). Suelte el gatillo interruptor para detener la herramienta.

Para un uso continuo, empuje la palanca de bloqueo (en la dirección A), tire del interruptor disparador (en la dirección B) y, a continuación, tire de la palanca de bloqueo (en la dirección C).

Para detener la herramienta desde la posición de bloqueo, tire totalmente del interruptor disparador (en la dirección B) y suéltelo.

Luz indicadora (para el modelo GA7050R/GA9050R) (Fig. 3)

La luz indicadora se enciende de color verde al enchufar la herramienta. Si la luz indicadora no se enciende, puede que el cable de la corriente o el controlador estén averiados. Si la luz indicadora está encendida, pero la herramienta no se pone en marcha aunque esté encendida, puede que las escobillas de carbón estén desgastadas o que el controlador, el motor o el interruptor de encendido y apagado estén averiados.

Mecanismo contra la puesta en marcha accidental

Aunque la palanca de bloqueo mantenga presionado el interruptor disparador (posición de bloqueo), no se permite que la herramienta se ponga en marcha aunque la herramienta esté enchufada.

En ese momento, la luz indicadora parpadea en color rojo e indica que el mecanismo contra la puesta en marcha accidental está funcionando.

Para cancelar el mecanismo contra la puesta en marcha accidental, accione el interruptor disparador completamente y suéltelo.

Característica de inicio lento

Estos modelos empiezan a girar lentamente cuando se encienden. Esta característica de inicio lento garantiza un funcionamiento más suave.

MONTAJE

⚠ PRECAUCIÓN:

- Asegúrese siempre de que la herramienta esté apagada y desenchufada antes de intentar realizar cualquier trabajo en ella.

Instalación de la empuñadura lateral (mango)

⚠ PRECAUCIÓN:

- Antes de utilizar la herramienta, asegúrese siempre de que la empuñadura lateral está instalada firmemente. (Fig. 4)

Atornille con firmeza la empuñadura lateral en la herramienta, tal como se muestra en la figura.

Instalación o extracción del protector de disco (para el disco con el centro hundido, el cepillo de disco de alambre/el disco de corte abrasivo, el disco de diamante)

⚠ ADVERTENCIA:

- Cuando utilice un disco de amolar de centro hundido/multidisco, un disco flexible o un disco con cepillo de disco de alambre, debe montarse en la herramienta el protector del disco de forma que el lado cerrado del protector siempre apunte hacia el operario.
- Cuando utilice un disco de corte abrasivo/disco de diamante, utilice exclusivamente el protector de disco especial diseñado para los discos de corte. (En países europeos, cuando se utilice un disco de diamante, se puede utilizar la protección normal.)

Para herramientas con protector de disco de tipo de tornillo de bloqueo (Fig. 5)

Monte el protector de forma que la protuberancia de la cinta del protector quede alineada con el alojamiento de cojinetes. Acto seguido, gire el protector 180 grados en el sentido contrario a las agujas del reloj. Asegúrese de que el tornillo esté bien apretado.

Para extraer el protector, siga el procedimiento de instalación en orden inverso.

Para herramientas con protector de disco de tipo de palanca de retención (Fig. 6 y 7)

Afloje la palanca del protector del disco. Monte el protector de forma que la protuberancia de la cinta del protector quede alineada con el alojamiento de cojinetes. A continuación, gire el protector de disco hasta la posición que se muestra en la ilustración. Apriete la palanca para fijar el protector de disco. Si la palanca está demasiado apretada o demasiado floja para sujetar el protector, afloje o apriete la tuerca para ajustar el apriete de la cinta del protector de disco.

Para extraer el protector, siga el procedimiento de instalación en orden inverso.

Montaje o extracción del disco de amolar de centro hundido/multidisco (accesorio opcional)

⚠ ADVERTENCIA:

- Utilice siempre el protector suministrado cuando el disco de amolar de centro hundido/multidisco esté en la herramienta. El disco puede romperse durante el uso y el protector ayuda a reducir las posibilidades de lesiones personales. (Fig. 8)

Monte la brida interior en el eje. Encaje el disco en la brida interior y enrosque la contratuerca en el eje.

ADVERTENCIA:

- Nunca utilice un disco de amolar de un grosor superior a 6,5 mm.

Brida superior

Los modelos con la letra F están equipados, de forma estándar, con una brida superior. Con esta pieza, para aflojar la contratuerca sólo se necesita un tercio del esfuerzo necesario para aflojar la de tipo corriente.

NOTA:

- Solamente para herramientas con una rosca del eje M14

Para Australia y Nueva Zelanda (Fig. 9)

Monte la brida interior en el eje. Encaje el disco en la brida interior y enrosque la contratuerca con su protuberancia hacia abajo (de cara al disco). Para apretar la contratuerca, ejerza presión sobre el bloqueo del eje para que el vástago no pueda girar, y utilice la llave de la contratuerca para ajustarla con firmeza en el sentido de las agujas del reloj. (Fig. 10) Para extraer el disco, siga el procedimiento de instalación en orden inverso.

Montaje o extracción del disco abrasivo (accesorio opcional)

NOTA:

- Utilice solamente los accesorios de lijado especificados en este manual. Se deben comprar por separado. (Fig. 11)

Monte la almohadilla de goma en el eje. Encaje el disco en la almohadilla de goma y enrosque la contratuerca en el eje. Para apretar la contratuerca, ejerza presión sobre el bloqueo del eje para que el vástago no pueda girar, y utilice la llave de la contratuerca para ajustarla con firmeza en el sentido de las agujas del reloj. Para extraer el disco, siga el procedimiento de instalación en orden inverso.

Montaje o extracción de Ezynut (accesorio opcional)

PRECAUCIÓN:

- No utilice Ezynut con la brida superior o la esmeriladora angular con "F" al final del n° de modelo. Esas bridas son tan gruesas que el eje no puede retener toda la rosca. (Fig. 12)

Monte la brida interior, el disco abrasivo/multidisco y Ezynut en el eje de forma que el logotipo de Makita de Ezynut mire hacia fuera. (Fig. 13) Presione el bloqueo del eje firmemente y apriete Ezynut girando el disco abrasivo/multidisco en el sentido de las agujas del reloj lo máximo posible. Gire la anilla exterior de Ezynut en el sentido contrario a las agujas del reloj para aflojarlo. (Fig. 14 y 15)

NOTA:

- Ezynut se puede aflojar a mano mientras la flecha apunte a la muesca. De lo contrario, se necesita una llave de contratuerca para aflojarla. Inserte una clavija de la llave en un orificio y gire Ezynut en el sentido contrario a las agujas del reloj.
- Solamente para herramientas con una rosca del eje M14

OPERACIÓN

ADVERTENCIA:

- No deberá ser nunca necesario forzar la herramienta. El peso de la herramienta ya aplica la presión adecuada. Si la fuerza y ejerce una presión excesiva, podría romperse el disco con el peligro que eso conlleva.
- Reemplace el disco SIEMPRE si se cae la herramienta durante el amolado.
- No golpee NUNCA el disco de amolar u otros discos contra la pieza de trabajo.
- Evite que el disco rebote o se enganche, especialmente cuando trabaje en esquinas, bordes afilados, etc. Podría ocasionar la pérdida del control y retrocesos bruscos.
- No utilice NUNCA esta herramienta con discos para cortar madera ni otros discos de sierra. Con estas sierras, la herramienta podría rebotar con fuerza y causarle lesiones.

PRECAUCIÓN:

- No encienda nunca la herramienta cuando esté en contacto con la pieza de trabajo, pues podría ocasionar heridas al operario.
- Póngase siempre gafas de seguridad o una careta protectora cuando utilice la herramienta.
- Después de finalizar la tarea, apague siempre la herramienta y espere hasta que el disco se haya parado completamente antes de dejar la herramienta.

Amolado y lijado (Fig. 16)

Sujete SIEMPRE la herramienta firmemente con una mano en la empuñadura lateral y otra mano en el mango principal. Enciéndala y aplique el disco a la pieza de trabajo.

Normalmente, mantenga el borde del disco en un ángulo de unos 15 grados con respecto a la superficie de la pieza de trabajo.

Durante el periodo de funcionamiento inicial con un disco nuevo, no haga funcionar la esmeriladora en la dirección B porque cortaría la pieza de trabajo. Una vez que se haya redondeado el borde del disco, ya podrá utilizarlo en las direcciones A y B.

Operaciones con el disco con cepillo de copa de alambre (accesorio opcional)

PRECAUCIÓN:

- Compruebe el funcionamiento del cepillo haciendo funcionar la herramienta sin carga, asegurándose de que no haya nadie delante o en línea con el cepillo.
- No utilice un cepillo que esté dañado o que no esté equilibrado. El uso de un cepillo dañado puede aumentar la posibilidad de lesiones por contacto con alambres del cepillo rotos. (Fig. 17)

Desenchufe la herramienta y colóquela boca arriba para permitir un acceso sencillo al eje. Retire cualquier accesorio del eje. Monte el cepillo de copa de alambre en el eje y apriételo con la llave proporcionada. Cuando utilice el cepillo, no ejerza demasiada presión, ya que provocaría que se doblaran los alambres, lo que conduciría a una rotura prematura.

Operaciones con el disco con cepillo de disco de alambre (accesorio opcional)

PRECAUCIÓN:

- Compruebe el funcionamiento del cepillo de alambre haciendo funcionar la herramienta sin carga, asegurándose de que no haya nadie delante o en línea con el cepillo de disco de alambre.
- No utilice un cepillo de disco de alambre que esté dañado o que no esté equilibrado. El uso de un cepillo de disco de alambre dañado puede aumentar la posibilidad de lesiones por contacto con alambres rotos.
- Utilice SIEMPRE el protector de disco con discos de cepillo de alambre, asegurándose de que el diámetro del disco encaje dentro del protector. El disco puede romperse durante el uso y el protector ayuda a reducir las posibilidades de lesiones personales. **(Fig. 18)**

Desenchufe la herramienta y colóquela boca arriba para permitir un acceso sencillo al eje. Retire cualquier accesorio del eje. Monte el cepillo de cepillo de disco de en el eje y apriételo con las llaves.

Cuando utilice el cepillo de disco de alambre, no ejerza demasiada presión, ya que provocaría que se doblaran los alambres, lo que conduciría a una rotura prematura.

Operaciones con el disco de corte abrasivo/disco de diamante (accesorio opcional)

ADVERTENCIA:

- Cuando utilice un disco de corte abrasivo/disco de diamante, utilice exclusivamente el protector de disco especial diseñado para los discos de corte. (En países europeos, cuando se utilice un disco de diamante, se puede utilizar la protección normal.)
- No utilice NUNCA el disco de corte para operaciones de amolado lateral.
- No haga demasiada fuerza ni aplique demasiada presión con el disco. No intente hacer cortes de una profundidad excesiva. Si el disco se somete a una fuerza excesiva aumenta la carga y las posibilidades de que se doble o se agarrote en el corte, así como de que se rompa, se produzca un contragolpe o se sobrecaliente el motor.
- No comience la operación de corte con la herramienta en la pieza de trabajo. Deje que el disco alcance la velocidad máxima e introdúzcalo con cuidado en el corte desplazando la herramienta hacia delante por la superficie de la pieza de trabajo. Si la herramienta se enciende dentro de la pieza de trabajo, el disco podría doblarse, salirse o provocar un contragolpe.
- Nunca cambie el ángulo del disco durante las operaciones de corte. Si el disco de corte es sometido a presión lateral (como por ejemplo al amolar), se agrietará y se romperá pudiéndole causar daños personales graves.
- El disco de diamante se tiene que utilizar perpendicular al material que se está cortando.

Monte la brida interior en el eje. Encaje el disco en la brida interior y enrosque la contratuerca en el eje.

(Fig. 19)

Cuando instale un disco de diamante o un disco de corte abrasivo que tenga un grosor de 7 mm o más, monte la

contratuerca con su parte circular piloto (saliente) para el calibre del disco mirando hacia el disco.

Para Australia y Nueva Zelanda

Instalación o extracción del disco de corte abrasivo/disco de diamante (accesorio opcional) (Fig. 20)

MANTENIMIENTO

PRECAUCIÓN:

- Asegúrese siempre de que la herramienta esté apagada y desenchufada antes de intentar realizar cualquier trabajo de inspección o mantenimiento en ella.
- Nunca utilice gasolina, benceno, disolvente, alcohol o un producto similar. Se puede provocar una decoloración, una deformación o grietas.

La herramienta y los orificios de ventilación deben mantenerse siempre limpios. Limpie los orificios de ventilación periódicamente o siempre que perciba cualquier obstrucción. **(Fig. 21)**

Reemplazo de las escobillas de carbón (Fig. 22)

Si la punta aislante de resina que hay dentro de la escobilla de carbón se expone al contacto con el conmutador, se apagará automáticamente el motor. En tal caso, se deberán reemplazar las dos escobillas de carbón. Mantenga las escobillas de carbón limpias y de forma que entren libremente en el portaescobillas. Ambas escobillas de carbón deberán ser sustituidas al mismo tiempo. Utilice únicamente escobillas de carbón idénticas. Utilice un destornillador para extraer las tapas de los portaescobillas. Extraiga las escobillas de carbón gastadas, inserte las nuevas y vuelva a fijar los tapones portaescobillas. **(Fig. 23)**

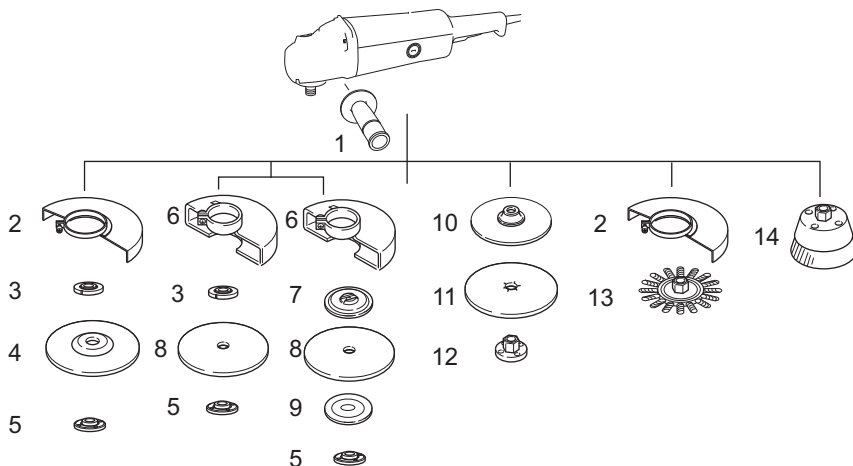
Para mantener la SEGURIDAD y la FIABILIDAD del producto, las reparaciones y cualquier otra tarea de mantenimiento o ajuste deberán ser realizadas en centros de servicio autorizados por Makita, utilizando siempre repuestos Makita.

ACCESORIOS OPCIONALES

PRECAUCIÓN:

- Se recomienda el uso de estos accesorios o complementos con la herramienta Makita especificada en este manual. El uso de otros accesorios o complementos puede conllevar el riesgo de ocasionar daños corporales. Utilice los accesorios o complementos solamente para su fin establecido.

Si necesita cualquier ayuda para obtener más información relativa a estos accesorios, pregunte a su centro de servicio Makita local.



| | |
|----|--|
| 1 | Empuñadura lateral |
| 2 | Protector de disco para Disco de amolar de centro hundido / Multidisco / Cepillo de disco de alambre |
| 3 | Brida interior / Brida superior ^{*1 *2} |
| 4 | Disco de amolar de centro hundido / Multidisco |
| 5 | Contratuercas / Ezynut ^{*1 *2} |
| 6 | Protector de disco para disco de corte abrasivo / Disco de diamante ^{*3} |
| 7 | Brida interior 78 (Australia y Nueva Zelanda solamente) ^{*4} |
| 8 | Disco de corte abrasivo / Disco de diamante |
| 9 | Brida exterior 78 (Australia y Nueva Zelanda solamente) ^{*4} |
| 10 | Almohadilla de goma |
| 11 | Disco abrasivo |
| 12 | Contratuercas de lijado |
| 13 | Cepillo de disco de alambre |
| 14 | Cepillo de copa de alambre |
| - | Llave de la contratuerca |
| - | Accesorio guardapolvo |

*1 Solamente para herramientas con una rosca del eje M14.

*2 No utilice la brida superior y Ezynut juntos.

*3 En algunos países europeos, cuando se utilice un disco de diamante, se puede utilizar la protección normal en lugar de la protección especial que cubre ambos lados del disco. Siga la normativa de su país.

*4 Utilice la brida interior 78 y la brida exterior 78 juntas. (Australia y Nueva Zelanda solamente)

013353

NOTA:

- Algunos elementos de la lista se pueden incluir en el paquete de la herramienta como accesorios estándar. Pueden ser diferentes de un país a otro.

Ruido ENG905-1
Niveles típicos de ruido ponderado A determinados conforme a EN60745:

Modelos GA7050, GA7050R, GA9050, GA9050R

Nivel de presión de sonido (L_{pA}): 94 dB (A)
Nivel de potencia de sonido (L_{WA}): 105 dB (A)
Incertidumbre (K): 3 dB (A)

Utilice protección para los oídos.

Vibración

ENG900-1

Valor total de la vibración (suma de vectores triaxiales) determinado según el estándar EN60745:

Modelos GA7050, GA7050R

Modo de trabajo: amolado de superficies
Emisión de vibraciones ($a_{h,AG}$): 6,5 m/s²
Incertidumbre (K): 1,5 m/s²

Modo de trabajo: lijado con disco
Emisión de vibraciones ($a_{h,DS}$): 4,0 m/s²
Incertidumbre (K): 1,5 m/s²

Modelos GA9050, GA9050R

Modo de trabajo: amolado de superficies

Emisión de vibraciones ($a_{h,AG}$): 5,5 m/s²

Incertidumbre (K): 1,5 m/s²

Modo de trabajo: lijado con disco

Emisión de vibraciones ($a_{h,DS}$): 2,5 m/s²

Incertidumbre (K): 1,5 m/s²

ENG902-1

- El valor de emisión de vibraciones se ha medido de acuerdo con el método de prueba estándar y se puede utilizar para comparar herramientas.
- El valor de emisión de vibraciones declarado también se puede usar en una evaluación preliminar de la exposición.
- El valor de emisión de vibraciones declarado se usa para las aplicaciones principales de la herramienta eléctrica. No obstante, si se utiliza la herramienta eléctrica para otras aplicaciones, el valor de emisión de vibraciones puede ser diferente.

ADVERTENCIA:

- La emisión de vibraciones durante el uso de la herramienta eléctrica puede diferir del valor de emisiones declarado, dependiendo de las formas en que se utiliza la herramienta.
- Asegúrese de identificar las mediciones correctas para proteger al operario, que se basan en una estimación de la exposición en condiciones de uso reales (teniendo en cuenta todas las partes del ciclo de operaciones, como los momentos en los que la herramienta está apagada y cuando funciona al ralentí además del tiempo en que está activado el interruptor).

Solo para países europeos

ENH101-17

Declaración de conformidad de la CE

Makita declara que las siguientes máquinas:

Designación de la máquina:

Esmeriladora angular

Nº de modelo/ Tipo: GA7050, GA7050R, GA9050, GA9050R

Cumplen con las siguientes Directivas europeas:

2006/42/CE

Se han fabricado de acuerdo con los siguientes estándares o documentos estandarizados:

EN60745

El archivo técnico de acuerdo con 2006/42/CE está disponible en:

Makita, Jan-Baptist Vinkstraat 2, 3070, Bélgica

31. 12. 2013



Yasushi Fukaya
Director

Makita, Jan-Baptist Vinkstraat 2, 3070, Bélgica

PORTUGUÊS (Instruções de origem)

Descrição geral

- | | | |
|-----------------------------------|--|---|
| 1. Bloqueio do veio | 14. Chave da porca de bloqueio | 25. Protecção para o disco de corte abrasivo/disco diamantado |
| 2. Gatilho | 15. Disco abrasivo | 26. Flange exterior 78 |
| 3. Alavanca de bloqueio | 16. Almofada de borracha | 27. Flange interior 78 |
| 4. Luz indicadora | 17. Ezynut | 28. Ventilação de saída |
| 5. Protecção do disco | 18. Disco abrasivo/Multi-disco | 29. Ventilação de entrada |
| 6. Parafuso | 19. Eixo | 30. Interruptor |
| 7. Caixa de rolamentos | 20. Seta | 31. Ponta blindada |
| 8. Porca | 21. Entalhe | 32. Escova de carvão |
| 9. Porca de bloqueio | 22. Escova de tampa de arame | 33. Tampa do porta-escovas |
| 10. Alavanca | 23. Escova do disco de arame | 34. Chave de parafusos |
| 11. Disco central com reentrância | 24. Disco de corte abrasivo/disco diamantado | |
| 12. Flange interior | | |
| 13. Super flange | | |

ESPECIFICAÇÕES

| Modelo | GA7050 | GA7050R | GA9050 | GA9050R |
|--|--------------------------------|----------------------------|----------------------------|----------------------------|
| Diâmetro do disco central com reentrância | 180 mm | 180 mm | 230 mm | 230 mm |
| Espessura máxima do disco | 6,5 mm | 6,5 mm | 6,5 mm | 6,5 mm |
| Ranhura do fuso | M14 ou 5/8" (consoante o país) | | | |
| Velocidade de rotação sem carga (n_0)/ Velocidade nominal (n) | 8.500 (min ⁻¹) | 8.500 (min ⁻¹) | 6.600 (min ⁻¹) | 6.600 (min ⁻¹) |
| Comprimento total | 432 mm | 455 mm | 432 mm | 455 mm |
| Peso líquido | 4,5 kg | 4,6 kg | 4,7 kg | 4,8 kg |
| Classe de segurança | II/III | | | |

- Devido à pesquisa e desenvolvimento constantes, estas especificações estão sujeitas a alteração sem aviso prévio.
- Estas especificações podem diferir de país para país.
- Peso de acordo com procedimento EPTA de 01/2003

Símbolos

END202-8

Descrição dos símbolos utilizados no equipamento.

Certifique-se de que compreende o seu significado, antes da utilização.



..... Leia o manual de instruções.



..... BLINDAGEM DUPLA



..... Use óculos de segurança.



..... Apenas para países da UE
Não deite equipamentos eléctricos no lixo doméstico!
De acordo com a directiva europeia sobre ferramentas eléctricas e electrónicas usadas e a sua aplicação para as leis nacionais, as ferramentas eléctricas usadas devem ser recolhidas em separado e encaminhadas a uma instalação de reciclagem dos materiais ecológicos.

Utilização prevista

ENE048-1

A ferramenta destina-se a afiar, lixar e cortar materiais em metal e pedra, sem a utilização de água.

Fonte de alimentação

ENF002-2

A ferramenta apenas deve ser ligada a uma fonte de alimentação da mesma tensão que a indicada na chapa de especificações, e apenas pode funcionar com uma alimentação CA monofásica. Estão blindadas duplamente e podem, assim, ser igualmente ligadas a tomadas sem fio terra.

Para o modelo GA7050, GA9050

ENF100-1

Para sistemas de distribuição de baixa tensão pública entre 220 V e 250 V.

As operações de mudança dos aparelhos eléctricos podem provocar variações de tensão. O funcionamento deste aparelho em condições de corrente eléctrica desfavoráveis pode causar efeitos adversos no funcionamento de outros equipamentos. Com uma impedância da corrente eléctrica de 0,22 Ohms, poderá presumir-se que não existam efeitos negativos. A tomada utilizada para este dispositivo deve estar protegida com um fusível ou disjuntor de protecção com características de accionamento baixas.

Avisos gerais de segurança para ferramentas eléctricas

GEA010-1

⚠ AVISO Leia todos os avisos de segurança e todas as instruções. O não cumprimento dos avisos e instruções pode resultar na ocorrência de choques eléctricos, incêndios e/ou ferimentos graves.

Guarde todos os avisos e instruções para referência futura.

AVISOS DE SEGURANÇA DA ESMERILHADEIRA

GEB033-7

Avisos de Segurança Comuns para Afilar, Lixar, Escovar com arame ou para Operações de corte abrasivas:

1. **Esta ferramenta serve para esmerilhar, lixar, escovar com arame e cortar. Leia todos os avisos, instruções, ilustrações e especificações de segurança fornecidos juntamente com a ferramenta.** Caso não siga todas as instruções indicadas em baixo, poderão ocorrer choques eléctricos, incêndios e/ou ferimentos graves.
2. **As operações, tais como polir, não devem ser desempenhadas com esta ferramenta.** Operações para as quais a ferramenta não foi concebida podem criar perigos e causar ferimentos pessoais.
3. **Não utilize acessórios que não sejam especificamente concebidos e recomendados pelo fabricante da ferramenta.** Mesmo que o acessório encaixe na ferramenta, isso não garante uma operação segura.
4. **A velocidade nominal do acessório deve ser no mínimo igual à velocidade máxima marcada na ferramenta.** Os acessórios a funcionar mais rapidamente do que a velocidade nominal podem quebrar e sair projectados.
5. **O diâmetro exterior e a espessura do acessório deve estar dentro da capacidade nominal da ferramenta.** Os acessórios com tamanhos incorrectos não podem ser guardados ou controlados adequadamente.
6. **O encaixe roscado dos acessórios deve corresponder à rosca do veio da esmerilhadeira.** Para os acessórios montados com flanges, o orifício de alojamento do acessório deve corresponder ao diâmetro da flange. Os acessórios que não correspondem ao hardware de instalação da ferramenta perderão o balanço, vibrarão excessivamente e podem causar perda de controlo.
7. **Não utilize um acessório danificado. Antes de cada utilização, inspeccione sempre o acessório, em busca de fissuras e fendas nas rodas abrasivas, fendas, desgaste ou uso excessivo nos discos de apoio e arames partidos ou soltos na escova de arame. Se a ferramenta ou acessório cair, inspeccione para a existência de danos ou instale um acessório não danificado. Após inspeccionar e instalar um acessório, posicione-se por norma longe do acessório rotativo e ligue a ferramenta na velocidade máxima sem carga**

durante um minuto. Normalmente, os acessórios danificados partem-se durante este teste.

8. **Use equipamento pessoal de protecção. Consoante a aplicação, use protecção para a cara ou óculos de segurança. Use máscara de pó, protectores auditivos, luvas e avental adequados, capazes de parar pequenos fragmentos abrasivos ou da peça de trabalho.** A protecção dos olhos deve ser capaz de parar detritos projectados gerados por várias utilizações. A máscara de pó ou respirador deve conseguir filtrar partículas geradas pela operação que estiver a efectuar. Uma exposição prolongada a ruído de alta intensidade pode causar perda de audição.
9. **Mantenha as pessoas presentes a uma distância segura da área de trabalho. Qualquer pessoa que entre na área de trabalho deve usar equipamento pessoal de protecção.** Os fragmentos da peça de trabalho ou de um acessório partido podem ser projectados e causar ferimentos para além da área imediata da operação.
10. **Quando executar operações em que acessórios de corte possam entrar em contacto com fios eléctricos ocultos ou com próprio cabo eléctrico da ferramenta, tenha o cuidado de tocar apenas nas superfícies isoladas da ferramenta eléctrica.** O acessório de corte em contacto com um fio eléctrico ligado à corrente pode electrificar as peças de metal da ferramenta e provocar um choque.
11. **Posicione o cabo eléctrico longe do acessório rotativo.** Se perder o controlo, o cabo eléctrico pode ser cortado ou movimentado bruscamente e a sua mão ou braço podem ser puxados para o acessório rotativo.
12. **Nunca pouse a ferramenta antes do acessório parar por completo.** O acessório rotativo pode apanhar a superfície e fazê-lo perder o controlo da ferramenta.
13. **Não ligue a ferramenta enquanto a leva na mão junto ao corpo.** O contacto accidental com o acessório rotativo pode arrancar a sua roupa, puxando o acessório para o corpo.
14. **Limpe regularmente as aberturas de ventilação da ferramenta.** A ventoinha do motor atrairá o pó para dentro da caixa e acumulação excessiva de metal em pó pode causar perigos eléctricos.
15. **Não utilizar a ferramenta perto de materiais inflamáveis.** As faíscas podem acender esses materiais.
16. **Não utilizar acessórios que requeiram arrefecedores líquidos.** Usar água ou outro líquido arrefecedor poderá resultar em electrocussão ou choque.

Recuos e Avisos Relacionados

Um recuo é uma reacção repentina a uma roda rotativa, disco de apoio, escova ou outro qualquer acessório encravado ou movimentado bruscamente. Pressionar ou mover bruscamente causa um rápido bloqueio do acessório rotativo, o que por sua vez faz com que a ferramenta descontrolada seja forçada na direcção oposta à da rotação do acessório ao ponto de empeno. Por exemplo, se uma roda abrasiva for movimentada bruscamente ou encravada pela peça de trabalho, a ponta da roda que está entrar no ponto de encravamento

pode perfurar a superfície do material, fazendo com a roda salte fora ou ressalte. A roda pode saltar em direcção ao operador ou na direcção oposta, consoante o movimento no ponto de perfuração. As rodas abrasivas podem também quebrar nestas condições. O recuo é o resultado de uma má utilização da ferramenta e/ou procedimentos de funcionamento incorrectos e pode ser evitado tomando as devidas precauções, tal como indicado em baixo.

- a) **Segure firmemente na ferramenta e posicione o corpo e o braço de forma a resistir às forças do recuo. Se fornecida, utilize sempre uma pega auxiliar para um controlo máximo sobre o recuo ou reacção de força durante o início.** Se tomar medidas de precaução adequadas, o operador pode controlar as reacções de força ou de recuo.
- b) **Nunca posicione a mão perto do acessório rotativo.** O acessório pode recuar sobre a sua mão.
- c) **Não posicione o corpo na área para onde a ferramenta se moverá se ocorrer um recuo.** O recuo projectará a ferramenta na direcção oposta ao movimento da roda, no ponto de movimento brusco.
- d) **Tenha especial atenção ao trabalhar cantos, extremidades afiadas, etc. Evite fazer ressaltar e movimentar bruscamente o acessório.** Os cantos, extremidades afiadas ou ressaltos têm uma tendência de movimentar bruscamente o acessório rotativo e causam perda de controlo ou recuo.
- e) **Não colocar uma serra de cortar madeira ou uma serra dentada.** Tais lâminas criam recuos frequentes e perda de controlo.

Avisos de Segurança Específicos para Operações de Cortes Abrasivos e Afiar:

- a) **Use apenas tipos de rodas que são recomendados para a ferramenta e a protecção específica concebida para a roda seleccionada.** Rodas para as quais a ferramenta não foi concebida não podem ser protegidas e não são seguras.
- b) **A superfície de lixagem dos discos com centro desfasado deve ser montado abaixo do plano da saliência da protecção.** Um disco montado incorrectamente que está projectado ao longo da saliência da protecção não pode ser protegida adequadamente.
- c) **A protecção deve estar encaixada de forma segura à ferramenta e posicionada para segurança máxima, para que o disco esteja minimamente exposto na direcção do operador.** A protecção ajuda a proteger o operador de fragmentos partidos do disco, contacto accidental com o disco e faíscas que podem incendiar a roupa.
- d) **As rodas devem ser usadas apenas para as aplicações recomendadas. Por exemplo: não afie com o lado da roda de corte.** As rodas de corte abrasivas têm como fim afiar perifericamente, se aplicar forças laterais a estas rodas pode parti-las.
- e) **Use sempre flanges de rodas não danificadas de tamanho e forma certos para a roda escolhida.** Flanges de rodas adequadas apoiam a roda, reduzindo assim a possibilidade da roda partir. As flanges para as rodas de corte podem ser diferentes das flanges das rodas de afiar.
- f) **Não usar rodas desgastadas de ferramentas maiores.** Uma roda destinada a ferramentas maiores

não é apropriada à velocidade superior de uma ferramenta mais pequena, podendo rebentar.

Avisos de Segurança Específicos Adicionais para as Operações de Cortes Abrasivos:

- a) **Não “encravar” a roda de corte ou aplicar pressão excessiva. Não tentar fazer um corte de profundidade excessiva.** Esforçar a roda aumenta a pressão e a susceptibilidade de girar ou empenar da roda no corte e a possibilidade de recuo ou da roda partir.
- b) **Não posicione o corpo alinhado e atrás da roda rotativa.** Quando a roda, aquando a utilização, está movimentar-se na direcção oposta do seu corpo, o recuo possível pode projectar a roda giratória e a ferramenta na sua direcção.
- c) **Quando a roda está a empenar ou quando interrompe um corte por qualquer razão, desligue a ferramenta e segure-a estaticamente até a roda parar por completo. Nunca tente remover a roda do corte enquanto a roda está em movimento, caso contrário pode ocorrer um recuo.** Investigue e tome acções correctivas para eliminar a causa do empeno da lâmina.
- d) **Não recomece a operação de corte na peça de trabalho. Deixe o disco atingir a velocidade máxima e reentre cuidadosamente no corte.** O disco pode empenar, subir ou recuar se a ferramenta for reiniciada na peça de trabalho.
- e) **Fixe os painéis ou qualquer peça de trabalho demasiado grande para minimizar o risco da roda bater e recuar.** As peças de trabalho de grandes dimensões tendem a abater sob o seu próprio peso. Os suportes devem ser colocados debaixo da peça de trabalho em ambos os lados da roda, perto da linha de corte e perto da margem da extremidade da peça de trabalho.
- f) **Utilize um cuidado adicional quando fizer um “corte a fundo” em paredes existentes ou outras zonas cegas.** A roda saliente pode cortar canos de gás e água, fios eléctricos ou objectos que podem causar um recuo.

Avisos de Segurança Específicos para Operações de Lixar:

- a) **Não usar lixas excessivamente grandes: Siga as recomendações do fabricante, quando escolher a lixa.** Lixas maiores que o apoio de lixar representam um perigo de laceração e podem causar movimentos bruscos, destruição do disco ou recuo.

Avisos Específicos para Operações de Escovar com Arames:

- a) **Tenha consciência de que fragmentos de arame são atirados pela escova, mesmo durante as operações normais. Não esforce os arames ao aplicar carga excessiva na escova.** Os fragmentos dos arames podem facilmente penetrar na roupa leve e/ou pele.
- b) **Se o uso de protecção é recomendado para escovar arames, não permita interferência da roda de arame ou escova com a protecção.** Roda ou escova de arame pode expandir em diâmetro devido à carga de trabalho e forças centrífugas.

Avisos de Segurança Adicionais:

- Quando utilizar as rodas de lixar centrais com reenrância, certifique-se de que utiliza apenas rodas reforçadas com fibra de vidro.
- NUNCA UTILIZE discos tipo taça de pedra com esta esmerilhadeira.** Esta esmerilhadeira não se destina a estes tipos de discos e a utilização de tal produto pode resultar em ferimentos pessoais graves.
- Não danifique o veio, a flange (especialmente a superfície de instalação) ou a porca de bloqueio.** Os danos nestas peças podem resultar em quebra das rodas.
- Certifique-se de que a roda não está em contacto com a peça de trabalho antes de ligar o interruptor.
- Antes de utilizar a ferramenta numa peça de trabalho, deixe-a a trabalhar durante algum tempo. Procure a existência de vibrações ou oscilações que possam indicar uma má fixação ou uma roda mal equilibrada.
- Utilize a superfície especificada da roda para afiar.
- Não abandone a ferramenta a funcionar. Ponha-a a funcionar apenas quando estiver a segurá-la.
- Não toque na peça de trabalho logo após a operação, uma vez que pode estar demasiado quente e provocar queimaduras.
- Cumpra as instruções do fabricante sobre a instalação e utilização correctas das rodas. Manuseie e guarde as rodas com cuidado.
- Não utilize casquilhos de redução separados ou adaptadores para adaptar rodas abrasivas com orifícios de grandes dimensões.
- Utilize apenas as flanges especificadas para esta ferramenta.
- Para ferramentas que sejam instaladas com a roda de orifício roscado, certifique-se de que a rosca na roda é suficientemente longa para aceitar o comprimento do fuso.
- Verifique se a peça de trabalho está bem suportada.
- Tome atenção uma vez que a roda continua a rodar após a ferramenta ser desligada.
- Se o local de trabalho for extremamente quente e húmido ou muito poluído pelo pó, utilize um disjuntor (30 mA) para garantir a segurança do operador.
- Não utilize a ferramenta ou quaisquer materiais que contenham amianto.
- Quando utilizar a roda de corte, trabalhe sempre com a protecção da roda de recolha de pó exigida pelas normas nacionais.
- Os discos de corte não devem ser sujeitos a qualquer pressão lateral.

GUARDE ESTAS INSTRUÇÕES.

AVISO:

NÃO deixe que o progressivo à vontade com o produto (resultante de uma utilização frequente) o faça esquecer o estrito cumprimento das regras de segurança de utilização do produto. A UTILIZAÇÃO INCORRECTA ou o não cumprimento das regras de segurança fornecidas neste manual de instruções podem provocar ferimentos graves.

DESCRIÇÃO DO FUNCIONAMENTO

PRECAUÇÃO:

- Certifique-se sempre de que a ferramenta está desligada no interruptor e da tomada antes de proceder a ajustes ou testes à mesma.

Bloqueio do veio

PRECAUÇÃO:

- Nunca accione o bloqueio do veio quando o fuso estiver em movimento. Pode avariar a ferramenta. (Fig. 1)

Prima o bloqueio do veio para evitar a rotação do fuso quando instalar ou remover acessórios.

Acção do interruptor

PRECAUÇÃO:

- Antes de inserir a ficha da ferramenta na tomada, verifique se o gatilho está a funcionar correctamente e se volta à posição "OFF" quando o solta.
- O interruptor pode ser bloqueado na posição "ON" para um maior conforto do operador durante uma utilização prolongada. Tenha cuidado quando bloquear a ferramenta na posição "ON" e segure bem a ferramenta. (Fig. 2)

Para ferramentas com o interruptor de bloqueio

Para iniciar a ferramenta, basta premir o gatilho (na direcção B). Para parar a ferramenta, solte o gatilho. Para funcionamento contínuo, puxe o gatilho (na direcção B) e empurre a alavanca de bloqueio (na direcção A). Para parar a ferramenta da posição de bloqueada, puxe totalmente o gatilho (na direcção B) e solte-o.

Para ferramentas com o interruptor de desbloqueio

Para evitar que o gatilho seja acidentalmente puxado, é fornecida uma alavanca de bloqueio. Para iniciar a ferramenta, pressione a alavanca de bloqueio (na direcção A) e puxe o gatilho (na direcção B). Para parar a ferramenta, solte o gatilho.

Para ferramentas com o interruptor de bloqueio e desbloqueio

Para evitar que o gatilho seja acidentalmente puxado, é fornecida uma alavanca de bloqueio. Para iniciar a ferramenta, pressione a alavanca de bloqueio (na direcção A) e puxe o gatilho (na direcção B). Para parar a ferramenta, solte o gatilho. Para funcionamento contínuo, pressione a alavanca de bloqueio (na direcção A) puxe o gatilho (na direcção B) e puxe a alavanca de bloqueio (na direcção C). Para parar a ferramenta da posição de bloqueada, puxe totalmente o gatilho (na direcção B) e solte-o.

Luz indicadora (Para modelo GA7050R/GA9050R)

(Fig. 3)

A luz indicadora acende-se a verde quando a ferramenta é ligada à tomada. Se a luz indicadora não se acender, o cabo de alimentação ou o controlador podem estar avariados. Se a luz indicadora se acender mas a ferramenta não se iniciar, mesmo que a ferramenta seja ligada, as escovas de carvão poderão estar gastas ou o controlador, o motor ou o interruptor podem estar avariados.

Protecção contra arranque acidental

Mesmo com a alavanca de bloqueio a manter o gatilho pressionado (posição de bloqueado), não é permitido à ferramenta arrancar quando a ficha é ligada à tomada. Nesta altura, a luz indicadora pisca a vermelho, indicando que está activada a função de dispositivo protegido contra arranque acidental.

Para cancelar a protecção contra arranque acidental, puxe totalmente o gatilho e solte-o.

Funcionalidade de arranque suave

Estes modelos começam a funcionar lentamente quando são ligados. Esta função de arranque lento garante um funcionamento mais suave.

MONTAGEM

⚠ PRECAUÇÃO:

- Certifique-se sempre de que a ferramenta está desligada no interruptor e da tomada antes de efectuar qualquer trabalho na mesma.

Instalar a pega lateral (manípulo)

⚠ PRECAUÇÃO:

- Certifique-se sempre de que a pega lateral está bem instalada antes de utilizar a ferramenta. (Fig. 4)

Aparafuse bem a pega lateral em posição na ferramenta, tal como indicado na ilustração.

Instalar ou retirar a protecção do disco (Para disco central com reentrância, multi-disco, escova de disco de arame/disco de corte abrasivo, disco diamantado)

⚠ AVISO:

- Quando utilizar o disco de afiar central com reentrância/Multi-disco, disco flexível ou escova de disco de arame, a protecção do disco deve ser instalada na ferramenta, de forma a que o lado fechado da protecção aponte sempre na direcção do operador.
- Quando usar um disco de corte abrasivo, use apenas a protecção do disco especial concebida para utilizar com discos de corte. (Nos países europeus, ao utilizar um disco de diamante, a protecção normal pode ser utilizada.)

Para ferramentas com protecção de disco do tipo parafuso de bloqueio A (Fig. 5)

Instale a protecção do disco com a saliência na banda da protecção do disco alinhada com o entalhe na caixa de rolamentos. De seguida, rode a protecção do disco em 180 graus no sentido contrário aos ponteiros do relógio. Certifique-se de que aperta bem o parafuso.

Para remover a protecção do disco, siga o procedimento inverso da instalação.

Para ferramentas com protecção de disco do tipo alavanca do grampo (Fig. 6 e 7)

Solte a alavanca na protecção do disco. Instale a protecção do disco com a saliência na banda da protecção do disco alinhada com o entalhe na caixa de rolamentos. De seguida, rode a protecção do disco à volta da posição apresentada na figura. Aperte a

alavanca para apertar a protecção do disco. Se a alavanca estiver demasiado apertada ou demasiado solta para apertar a protecção do disco, desaperte ou aperte a porca para ajustar o nível de aperto da cinta da protecção do disco.

Para remover a protecção do disco, siga o procedimento inverso da instalação.

Instalar ou remover o disco de afiar central com reentrância/multi-disco (acessório opcional)

⚠ AVISO:

- Utilize sempre a protecção fornecida quando o disco de afiar central com reentrância/multi-disco estiver montado na ferramenta. O disco pode quebrar durante a utilização e a protecção ajuda a reduzir a ocorrência de ferimentos pessoais. (Fig. 8)

Instale a flange interior no fuso. Instale o disco na flange interior e aparafuse a porca de bloqueio no fuso.

⚠ AVISO:

- Nunca utilize um disco de afiar com uma espessura superior a 6,5 mm.

Super flange

Os modelos com a letra F estão equipados de série com uma super flange. Apenas são necessários 1/3 de esforço para desapertar a porca de bloqueio, em comparação com o tipo convencional.

NOTA:

- Apenas para ferramentas com a ranhura do fuso M14

Para a Austrália e Nova Zelândia (Fig. 9)

Instale a flange interior no fuso. Instale o disco na flange interior e aperte a porca de bloqueio com a saliência virada para baixo (na direcção do disco).

Para apertar a porca de bloqueio, prima o bloqueio do veio firmemente, para evitar que o fuso rode, e utilize a chave da porca de bloqueio para a apertar com segurança no sentido dos ponteiros do relógio. (Fig. 10) Para remover o disco, siga o procedimento inverso de instalação.

Instalar ou retirar o disco abrasivo (acessório opcional)

NOTA:

- Utilize os acessórios da lixadora especificados neste manual. Estes têm de ser adquiridos separadamente. (Fig. 11)

Instale a o apoio de borracha no fuso. Instale o disco no apoio de borracha e aparafuse a porca de bloqueio no fuso. Para apertar a porca de bloqueio, prima o bloqueio do veio firmemente, para evitar que o fuso rode, e utilize a chave da porca de bloqueio para a apertar com segurança no sentido dos ponteiros do relógio. Para remover o disco, siga o procedimento inverso de instalação.

Instalar ou retirar a Ezynut (acessório opcional)

PRECAUÇÃO:

- Não utilize a Ezynut com Super Flange ou esmerilhadeira angular com "F" na extremidade do nº de modelo. Estas flanges são tão espessas que a rosca inteira não pode ser retida pelo fuso. (Fig. 12)

Monte a flange interna, disco abrasivo/multi-disco e a Ezynut no fuso de modo a que o logótipo da Makita na Ezynut esteja virado para fora. (Fig. 13)

Pressione o bloqueio do veio com firmeza e aperte a Ezynut rodando ao máximo o disco abrasivo/multi-disco no sentido dos ponteiros do relógio.

Rode o anel exterior da Ezynut no sentido contrário aos ponteiros do relógio para desapertar. (Fig. 14 e 15)

NOTA:

- A Ezynut pode ser desapertada manualmente desde que a seta aponte para o entalhe. Caso contrário, é necessária uma chave de porca de bloqueio para a desapertar. Introduza uma perna da chave num orifício e rode a Ezynut no sentido contrário aos ponteiros do relógio.
- Apenas para ferramentas com a ranhura do fuso M14

FUNCIONAMENTO

AVISO:

- Nunca deverá ser necessário forçar a ferramenta. O peso da ferramenta aplica pressão adequada. Forçar a pressão excessiva poderão ser perigosos e quebrar o disco.
- Substitua SEMPRE o disco se deixar cair a ferramenta enquanto afia.
- NUNCA atire ou embata com o disco de afiar na peça de trabalho.
- Evite fazer ressaltar e movimentar bruscamente o disco, especialmente quando estiver a trabalhar cantos, extremidades afiadas, etc. Isto pode provocar a perda de controlo e ressaltos.
- NUNCA utilize a ferramenta com lâminas de cortar madeira e outras lâminas de serra. Tais lâminas, quando utilizadas numa esmerilhadeira, provocam com frequência ressaltos e perda de controlo, que podem provocar ferimentos pessoais.

PRECAUÇÃO:

- Nunca ligue a ferramenta quando esta estiver em contacto com a peça de trabalho, uma vez que poderá causar ferimentos no operador.
- Use sempre óculos de segurança ou uma protecção da face durante o funcionamento.
- Após a utilização, desligue sempre a ferramenta e aguarde até que o disco pare completamente antes de pousar a ferramenta.

Afiar e lixar (Fig. 16)

Segure SEMPRE bem a ferramenta com uma mão na pega traseira e a outra na pega lateral. Ligue a ferramenta e coloque o disco sobre a peça de trabalho. De maneira geral, mantenha a extremidade do disco a um ângulo de cerca de 15 graus da superfície da peça de trabalho.

Durante o período de rotação de um novo disco, não coloque a esmerilhadeira a funcionar na direcção B ou esta cortará a peça de trabalho. Quando a extremidade do disco ficar arredondada pelo uso, o disco pode ser trabalhado nas direcções A e B.

Funcionamento com escova de tampa de arame (acessório opcional)

PRECAUÇÃO:

- Verifique o funcionamento da escova colocando-a em funcionamento sem carga, certificando-se de que ninguém se encontra à frente ou na direcção da escova.
- Não utilize escovas danificadas ou desequilibradas. A utilização de escovas danificadas pode aumentar o risco de ferimentos devido ao contacto com arames da escova partidos. (Fig. 17)

Desligue a ferramenta e vire-a ao contrário permitindo um acesso fácil ao fuso. Retire quaisquer acessórios no fuso. Monte a escova de tampa de arame no fuso e aperte com a chave fornecida. Quando utilizar a escova, evite aplicar demasiada pressão que causa a curvatura excessiva dos fios, resultando em quebra prematura.

Funcionamento com escova de disco de arame (acessório opcional)

PRECAUÇÃO:

- Verifique o funcionamento da escova de disco de arame colocando-a em funcionamento sem carga, certificando-se de que ninguém se encontra à frente ou na direcção da escova de disco de arame.
- Não utilize escovas de disco de arame danificadas ou desequilibradas. A utilização de escovas de disco de arame danificadas pode aumentar o risco de ferimentos devido ao contacto com arames partidos.
- Use SEMPRE a protecção com escovas de disco de arame, garantindo que o diâmetro do disco cabe dentro da protecção. O disco pode quebrar durante a utilização e a protecção ajuda a reduzir a ocorrência de ferimentos pessoais. (Fig. 18)

Desligue a ferramenta e vire-a ao contrário permitindo um acesso fácil ao fuso. Retire quaisquer acessórios no fuso. Enrosque a escova de disco de arame no fuso e aperte com as chaves.

Quando utilizar a escova de disco de arame, evite aplicar demasiada pressão que causa a curvatura excessiva dos fios, resultando em quebra prematura.

Funcionamento com o disco de corte abrasivo/diamantado (acessório opcional)

AVISO:

- Quando usar um disco de corte abrasivo, use apenas a protecção do disco especial concebida para utilizar com discos de corte. (Nos países europeus, ao utilizar um disco de diamante, a protecção normal pode ser utilizada.)
- NUNCA utilize o disco de corte para afiar lateralmente.
- Não "encravar" o disco ou aplicar pressão excessiva. Não tentar fazer um corte de profundidade excessiva. Esforçar o disco aumenta a carga e susceptibilidade de girar ou empenar do disco no corte e a

possibilidade de recuo, partir o disco e sobreaquecer o motor.

- Não recomece a operação de corte na peça de trabalho. Deixe o disco atingir a velocidade máxima e cuidadosamente entre no corte movendo a ferramenta para a frente, por cima da superfície da peça de trabalho. O disco pode empenar, subir ou recuar se a ferramenta for reiniciada na peça de trabalho.
- Durante as operações de corte, nunca mude o ângulo do disco. Fazer pressão lateral no disco de corte (como quando afia) fará com que o disco tenha fendas e quebre, causando ferimentos pessoais graves.
- Um disco diamantado deverá ser operado perpendicularmente ao material a cortar.

Instale a flange interior no fuso. Instale o disco na flange interior e aparafuse a porca de bloqueio no fuso. (Fig. 19) Quando instalar um disco diamantado ou um disco de corte abrasivo com o copo de disco com 7 mm ou mais de espessura, monte a porca de bloqueio com a parte circular de guia (saliência) para diâmetro de disco virado para o disco.

Para a Austrália e Nova Zelândia

Instalar ou retirar o disco de corte abrasivo/disco diamantado (acessório opcional) (Fig. 20)

MANUTENÇÃO

⚠ PRECAUÇÃO:

- Certifique-se sempre de que a ferramenta está desligada no interruptor e da tomada antes de inspeccionar ou fazer a manutenção da ferramenta.
- Nunca utilize gasolina, benzina, diluente, álcool ou semelhante. Podem formar-se descolorações, deformações ou fissuras.

A ferramenta e as respectivas aberturas de ventilação devem ser mantidas limpas. Limpe regularmente as aberturas de ventilação da ferramenta ou sempre que as aberturas fiquem obstruídas. (Fig. 21)

Substituir as escovas de carvão (Fig. 22)

Quando a ponta de blindagem de resina no interior da escova de carvão ficar exposta ao contacto com o interruptor, desligará automaticamente o motor. Quando isto ocorrer, devem ser substituídas ambas as escovas de carvão. Mantenha-as limpas para poderem deslizar no porta-escovas. Substitua as duas ao mesmo tempo.

Utilize unicamente escovas de carvão idênticas.

Utilize uma chave de parafusos para remover as tampas do porta-escovas. Retire as escovas usadas, coloque umas novas e fixe as tampas do porta-escovas. (Fig. 23)

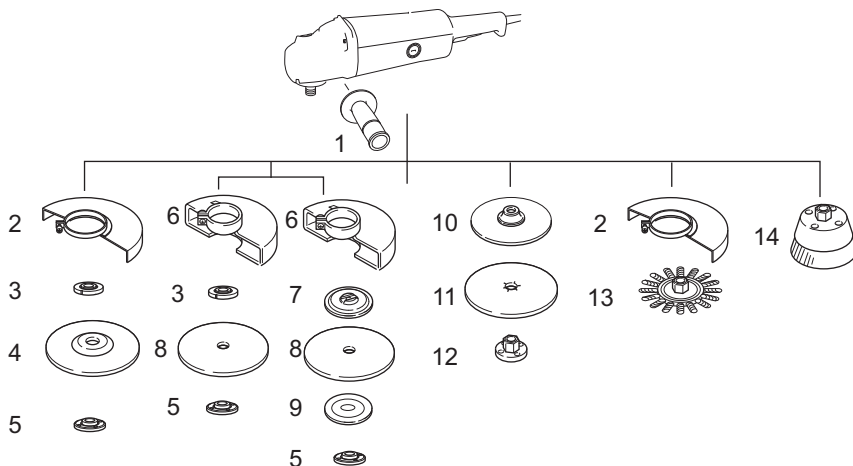
Para manter os níveis de SEGURANÇA e FIABILIDADE definidos para este produto, as reparações e os procedimentos de manutenção ou ajustes devem ser executados por centros de assistência Makita autorizados, utilizando sempre peças de substituição Makita.

ACESSÓRIOS OPCIONAIS

⚠ PRECAUÇÃO:

- Os seguintes acessórios ou extensões são os recomendados para utilizar com a ferramenta Makita especificada neste manual. A utilização de quaisquer outros acessórios poderá representar um risco de ferimento para as pessoas. Apenas utilize o acessório para o fim indicado.

Se precisar de informações adicionais relativas aos acessórios, contacte o centro local de assistência Makita.



| | |
|----|--|
| 1 | Pega lateral |
| 2 | Protecção para Disco de moer central com reentrância / Multi-disco / Escova de disco |
| 3 | Flange interior / Super flange ^{*1 *2} |
| 4 | Disco de moer central com reentrância / Multi-disco |
| 5 | Porca de bloqueio / Ezynut ^{*1 *2} |
| 6 | Protecção para disco de corte abrasivo / Disco de diamante ^{*3} |
| 7 | Flange interior 78 (apenas Austrália e Nova Zelândia) ^{*4} |
| 8 | Disco de corte abrasivo / Disco de diamante |
| 9 | Flange exterior 78 (apenas Austrália e Nova Zelândia) ^{*4} |
| 10 | Almofada de borracha |
| 11 | Disco abrasivo |
| 12 | Porca de bloqueio de lixagem |
| 13 | Disco de escova de arame |
| 14 | Escova de tampa de arame |
| - | Chave da porca de bloqueio |
| - | Acessório de protecção para o pé |

*1 Apenas para ferramentas com a ranhura do fuso M14.

*2 Não utilize a Super flange e a Ezynut em conjunto.

*3 Nalguns países europeus, ao utilizar um disco de diamante, a protecção normal pode ser utilizada em vez da protecção especial, cobrindo ambos os lados do disco. Cumpra a legislação do seu país.

*4 Utilize a flange interior 78 e a flange exterior 78 em conjunto. (apenas Austrália e Nova Zelândia)

013353

NOTA:

- Alguns itens na lista podem estar incluídos no pacote de ferramentas como acessórios de série. Podem diferir de país para país.

Ruído

ENG905-1

Os níveis acústicos ponderados A típicos foram determinados segundo a EN60745:

Modelo GA7050, GA7050R, GA9050, GA9050R

Nível de pressão sonora (L_{pA}): 94 dB (A)

Nível de potência sonora (L_{WA}): 105 dB (A)

Incerteza (K): 3 dB (A)

Use protecção para os ouvidos.

Vibração

ENG900-1

O valor total da vibração (soma triaxial de vectores) foi determinado segundo a EN60745:

Modelo GA7050, GA7050R

Modo de trabalho: afiar à superfície

Emissão de vibração ($a_{h,AG}$): 6,5 m/s²

Incerteza (K): 1,5 m/s²

Modo de trabalho: lixagem excêntrica

Emissão de vibração ($a_{h,DS}$): 4,0 m/s²

Incerteza (K): 1,5 m/s²

Modelo GA9050, GA9050R

Modo de trabalho: afiar à superfície
Emissão de vibração ($a_{h,AG}$): 5,5 m/s²
Incerteza (K): 1,5 m/s²

Modo de trabalho: lixação excêntrica
Emissão de vibração ($a_{h,DS}$): 2,5 m/s²
Incerteza (K): 1,5 m/s²

ENG902-1

- O valor da emissão de vibração declarado foi medido de acordo com o método de teste padrão e pode ser utilizado para comparar uma ferramenta com outra.
- O valor da emissão de vibração declarado pode também ser utilizado numa avaliação preliminar de exposição.
- O valor da emissão de vibração declarado é utilizado para as aplicações principais da ferramenta eléctrica. No entanto, se a ferramenta eléctrica for utilizada para outras aplicações, o valor da emissão de vibração pode ser diferente.

AVISO:

- A emissão de vibração durante a utilização real da ferramenta eléctrica pode ser diferente do valor de emissão declarado, dependendo da forma como a ferramenta é utilizada.
- Certifique-se de que identifica medidas de segurança, para proteger o operador, que são baseadas numa estimativa de exposição nas condições reais de utilização (tendo em conta todas as partes do ciclo de funcionamento, como as vezes que a ferramenta é desligada e quando está a trabalhar ao ralenti, além do tempo de utilização).

Apenas para países europeus

ENH101-17

Declaração de conformidade CE

A Makita declara que as máquinas:

Designação da máquina:

Esmerilhadeira angular

Nº/Tipo de modelo: GA7050, GA7050R, GA9050,
GA9050R

Estão em conformidade com as directivas europeias seguintes:

2006/42/EC

São fabricadas de acordo com as normas e documentos padronizados seguintes:

EN60745

O ficheiro técnico em conformidade com a norma 2006/42/EC está disponível a partir de:

Makita, Jan-Baptist Vinkstraat 2, 3070, Bélgica

31. 12. 2013



Yasushi Fukaya
Director

Makita, Jan-Baptist Vinkstraat 2, 3070, Bélgica

DANSK (Originalvejledning)

Forklaring til generel oversigt

| | | |
|----------------------------|-------------------------------------|---|
| 1. Aksellås | 13. Superflange | 25. Beskyttelsesskærm til vinkelslibeskrive/diamantskrive |
| 2. Afbryderkontakt | 14. Skrueøgle til sikringsmøtrik | 26. Udvendig flange 78 |
| 3. Låsehåndtag | 15. Slibedisk | 27. Indvendig flange 78 |
| 4. Indikatorlampe | 16. Gummimåtte | 28. Udstødningsåbning |
| 5. Beskyttelsesskærm | 17. Ezynut | 29. Indsugningsåbning |
| 6. Skrue | 18. Slibedisk/multidisk | 30. Kommutator |
| 7. Kuglelejeboks | 19. Spindel | 31. Isolerende spids |
| 8. Møtrik | 20. Pål | 32. Kulbørste |
| 9. Håndtag | 21. Indhak | 33. Kulholderdæksel |
| 10. Låsemøtrik | 22. Koptrådbørste | 34. Skruetrækker |
| 11. Forsænket centerskrive | 23. Skivetrådbørste | |
| 12. Indre flange | 24. Vinkelslibeskrive/diamantskrive | |

SPECIFIKATIONER

| Model | GA7050 | GA7050R | GA9050 | GA9050R |
|---|--------------------------------|----------------------------|----------------------------|----------------------------|
| Diameter på forsænket centerskrive | 180 mm | 180 mm | 230 mm | 230 mm |
| Maks. skivetykkelse | 6,5 mm | 6,5 mm | 6,5 mm | 6,5 mm |
| Spindelgevind | M14 eller 5/8" (landespecifik) | | | |
| Hastighed uden belastning (n_0)/ nominel hastighed (n) | 8.500 (min ⁻¹) | 8.500 (min ⁻¹) | 6.600 (min ⁻¹) | 6.600 (min ⁻¹) |
| Længde i alt | 432 mm | 455 mm | 432 mm | 455 mm |
| Nettovægt | 4,5 kg | 4,6 kg | 4,7 kg | 4,8 kg |
| Sikkerhedsklasse | □/II | | | |

- På grund af vores løbende forsknings- og udviklingsprogram kan specifikationerne heri ændres uden forudgående varsel.
- Specifikationerne kan variere fra land til land.
- Vægt i henhold til EPTA-procedure 01/2003

Symboler

END202-8

Følgende viser de symboler, der benyttes til udstyret. Vær sikker på, at du forstår deres betydning, før du bruger værktøjet.



..... Læs brugsanvisningen.



..... DOBBELT ISOLERET



..... Bær beskyttelsesbriller.



..... Kun for EU-lande

Elektrisk udstyr må ikke bortskaffes som almindeligt affald!
I henhold til det europæiske direktiv om bortskaffelse af elektriske og elektroniske produkter og dets implementering i overensstemmelse med gældende national lovgivning skal brugt elektrisk udstyr, der har udtjent dets levetid, indsamles separat og returneres til miljøgodkendt genindvinding.

Tilsigtet brug

ENE048-1

Maskinen er beregnet til afslibning, sandslibning og skæring i metal- og stenmaterialer uden brug af vand.

Strømforsyning

ENF002-2

Værktøjet bør kun slutes til en strømforsyning med den spænding, der er angivet på mærkepladen, og det kan kun benyttes med enkeltfaset vekselstrøm. Det er dobbelt isoleret og kan derfor også slutes til stikkontakter uden jordforbindelse.

For model GA7050, GA9050

ENF100-1

Til offentlige lavspændingssystemer på mellem 220 V og 250 V.

Når der tændes og slukkes for elektriske apparater, medfører det spændingsudsving. Anvendelse af dette udstyr under dårlige strømforsyningsforhold kan have negativ indflydelse på anvendelsen af andet udstyr. Ved en strømforsyningsimpedans på eller under 0,22 Ohm vil der sandsynligvis ikke være negative effekter. Den stikkontakt, der benyttes til udstyret, skal være beskyttet med en sikring eller beskyttende kortslutningsafbryder med langsom udløsning.

Generelle sikkerhedsadvarsler for maskiner

GEA010-1

ADVARSEL Læs alle sikkerhedsadvarsler og alle instruktioner. Hvis De ikke følger alle advarsler og

instruktioner, kan det medføre elektrisk stød, brand og/eller alvorlig personskade.

Gem alle advarsler og instruktioner til senere reference.

SIKKERHEDSADVARSLER FOR VINKELSLIBER

GEB033-7

Fælles sikkerhedsadvarsler for afslibning, sandslibning, trådbørstning og vinkelslibning:

1. **Denne maskine er beregnet til brug som afsliber, sandsliber, trådbørste eller vinkelsliber. Læs alle sikkerhedsadvarsler, instruktioner, illustrationer og specifikationer, der følger med maskinen.** Hvis du ikke følger alle instruktionerne nedenfor, kan det medføre elektrisk stød, brand og/eller alvorlig personskade.
2. **Det anbefales ikke at benytte maskinen til formål som f.eks. polering.** Anvendelser, som maskinen ikke er beregnet til, kan udgøre en risiko og medføre personskade.
3. **Undlad at benytte tilbehør, som ikke er specielt udviklet og anbefalet af producenten af værktøjet.** Selvom tilbehøret kan monteres på maskinen, er anvendelsen ikke nødvendigvis sikker.
4. **Tilbehørets nominelle hastighed skal være mindst lig med den maksimale hastighed, der er angivet på maskinen.** Tilbehør, der kører hurtigere end dets nominelle hastighed, kan gå i stykker og blive slynget bort.
5. **Tilbehørets udvendige diameter og tykkelse skal overholde maskinens kapacitet.** Tilbehør med forkert størrelse kan ikke fastgøres eller kontrolleres korrekt.
6. **Ved montering af tilbehør med gevind skal det matche vinkelsliberens spindelgevind. For tilbehør monteret med flanger skal akselhullet på tilbehøret passe til flangens fastgørelsesdiameter.** Tilbehør, der ikke passer til monteringsudstyret på maskinen, vil komme ud af balance, vibrere voldsomt og kan medføre, at du mister kontrollen.
7. **Undlad brug af beskadiget tilbehør. Kontroller tilbehør som f.eks. slibeskiver, hver gang de bruges, for flænger og revner, bagpolstringer for revner, nedslidning eller kraftigt slid, trådbørster for løse eller knækkede tråde.** Hvis du taber maskinen eller tilbehøret, skal du se efter for beskadigelser eller montere ubeskadiget tilbehør. Efter kontrol og montering af tilbehør skal du placere dig selv og tilskuere væk fra tilbehørets drejningsplan og lade maskinen køre ved maksimal hastighed uden belastning i et minut. Beskadiget tilbehør vil normalt gå i stykker inden for denne testperiode.
8. **Bær personligt sikkerhedsudstyr. Afhængigt af anvendelsen skal du bære ansigtsskærm, beskyttelsesbriller eller sikkerhedsbriller. Bær om nødvendigt støvmaske, hørevarn, handsker og arbejdsforklæde, der kan stoppe små slibningsstykker eller stumper af arbejdsemnet.** Øjenbeskyttelsen skal kunne stoppe flyvende stumper, der frembringes ved forskellige betjening.

Støvmasken eller åndedrætsbeskyttelsen skal kunne frafiltrere de partikler, der frembringes ved anvendelsen. Længerevarende udsættelse for kraftig støj kan medføre høreskader.

9. **Hold andre tilstedeværende på sikker afstand af arbejdsområdet. Alle, der kommer ind i arbejdsområdet, skal bære personligt sikkerhedsudstyr.** Dele af arbejdsemnet eller ødelagt tilbehør kan flyve væk og medføre personskade uden for det umiddelbare anvendelsesområde.
10. **Hold kun maskiner i de isolerede gribeblader, når du udfører arbejde, hvor skæretilbehøret kan komme i kontakt med skjulte ledninger eller maskinens egen ledning.** Hvis skæretilbehøret kommer i kontakt med en strømførende ledning, kan udsatte metaldele på maskinen blive strømførende, hvorved operatøren kan få elektrisk stød.
11. **Placer ledningen på afstand af roterende tilbehør.** Hvis du mister kontrollen, kan ledningen blive skåret over eller beskadiget, og din hånd eller arm kan blive trukket ind i det roterende tilbehør.
12. **Læg aldrig maskinen fra dig, før tilbehøret er stoppet helt.** Det roterende tilbehør kan gribe fat i overfladen og trække i maskinen, så du mister kontrollen.
13. **Lad ikke maskinen køre, mens du bærer den ved siden.** Hvis dit tøj kommer i kontakt med det roterende tilbehør, kan det gribe fat i tøjet og trække tilbehøret ind i kroppen på dig.
14. **Rengør regelmæssigt maskinens ventilationsåbninger.** Motorventilatoren trækker støvet ind i kabinettet, og koncentration af forstøvet metal kan medføre elektriske risici.
15. **Undlad at betjene maskinen i nærheden af brændbare materialer.** Gnister kan antænde disse materialer.
16. **Undlad at benytte tilbehør, der kræver flydende kølemidler.** Brug af vand eller andre flydende kølemidler kan medføre elektrisk stød eller chok.

Tilbageslag og relaterede advarsler

Tilbageslag er en pludselig reaktion på, at en roterende skive, bagpolstring, børste eller andet tilbehør sidder fast eller kommer i klemme. Hvis tilbehøret sidder fast eller kommer i klemme, går det roterende tilbehør pludselig i stå, hvorved den ikke-kontrollerede maskine tvinges i den modsatte retning af tilbehørets rotationsretning på det sted, hvor det sidder fast.

Hvis en slibeskive f.eks. kommer i klemme eller sidder fast på arbejdsemnet, kan den kant på skiven, der sidder ind i fastklemningspunktet, skære sig ind i emnets overflade, så skiven klatrer ud eller slås ud. Skiven kan enten springe mod eller bort fra operatøren, afhængigt af skivens bevægelse på det sted, hvor den sidder fast. Slibeskiver kan også gå i stykker under disse forhold. Tilbageslag skyldes forkert brug af maskinen og/eller forkerte betjeningsprocedurer eller forhold og kan undgås ved at træffe de nødvendige forsigtighedsregler som beskrevet nedenfor.

- a) **Hold godt fast i maskinen, og placer kroppen og armen, så du kan modstå tilbageslag. Benyt altid det ekstra håndtag, hvis det er tilgængeligt, for at opnå størst mulig kontrol med tilbageslag eller drejningsreaktion ved start.** Operatøren kan

kontrollere drejningsreaktioner eller tilbageslag, hvis der træffes de rette forholdsregler.

- b) **Placer aldrig hånden i nærheden af roterende tilbehør.** Tilbehøret kan blive slået tilbage hen over hånden.
- c) **Placer ikke dig selv i det område, hvor maskinen vil bevæge sig, hvis der opstår tilbageslag.** Ved tilbageslag bliver værktøjet slynget i modsat retning af skivens bevægelse på det sted, hvor den sidder fast.
- d) **Vær særligt forsigtig ved arbejde på hjørner, skarpe kanter osv. Undgå at støde og vride tilbehøret.** Hjørner, skarpe kanter og stød har tendens til at få det roterende tilbehør til at sidde fast og forårsage tab af kontrollen eller tilbageslag.
- e) **Monér ikke en klinge til savning i træ eller en savklinge med tænder.** Sådanne klinger forårsager ofte tilbageslag og tab af kontrollen.

Specifikke sikkerhedsadvarsler for afslibning og vinkelslibning:

- a) **Anvend kun skivetyper, der anbefales til maskinen, og den specifikke beskyttelsesskærm, der er beregnet til den valgte skive.** Skiver, som maskinen ikke er beregnet til, kan ikke beskyttes ordentligt og er ikke sikre at bruge.
- b) **Slibefladen på forsænkede centerskiver skal monteres under skærkantens plan.** En forkert monteret skive, der projicerer gennem skærkantens plan, kan ikke beskyttes ordentligt.
- c) **Beskyttelsesskærmen skal sidde korrekt fast på maskinen og placeres med henblik på maksimal sikkerhed, så mindst muligt af skiven er blottet ud mod operatøren.** Beskyttelsesskærmen hjælper med at beskytte operatøren mod dele af brækkede skiver, utilsigtet kontakt med skiven og gnister, der kan antænde tøjet.
- d) **Skiver må kun benyttes til de anbefalede anvendelser.** Eksempel: Undlad at bruge siden af en slibeskive til vinkelslibning. Vinkelslibeskiver er beregnet til slibning i periferien. Hvis skiverne udsættes for kræfter fra siden, kan de gå i stykker.
- e) **Anvend altid ubeskadigede skiveflanger af den korrekte størrelse og form til den valgte skive.** Korrekte skiveflanger understøtter skiven, så der er mindre risiko for, at den går i stykker. Flanger til vinkelslibeskiver kan være forskellige fra flanger til slibeskiver.
- f) **Undlad at benytte nedslidte skiver fra større maskiner.** Skiver, der er beregnet til større maskiner, er ikke beregnet til et mindre værktøjs større hastigheder og kan gå i stykker.

Specifikke sikkerhedsadvarsler for vinkelslibning:

- a) **Undlad at "flåse" vinkelslibeskiven eller anvende unødigt pres. Undlad at skære for dybt.** Hvis skiven overbelastes, forøges belastningen og risikoen for at bøje skiven, eller at den sidder fast i snittet, hvilket øger risikoen for tilbageslag, eller at skiven går i stykker.
- b) **Undlad at placere dig selv på linje med og bagved den roterende skive.** Når skiven på anvendelsesstedet bevæger sig bort fra dig selv, vil et eventuelt tilbageslag slynge den roterende skive og maskinen direkte tilbage mod dig selv.
- c) **Hvis skiven sidder fast, eller hvis du af en eller anden grund afbryder et snit, skal du slukke for**

maskinen og holde den stille, indtil skiven er stoppet helt. Forsøg aldrig at fjerne vinkelslibeskiven fra snittet, mens skiven bevæger sig, da dette kan forårsage tilbageslag. Se efter og tag modforholdsregler imod årsager til, at skiven binder.

- d) **Start ikke snittet igen i arbejdsemnet. Lad skiven nå fuld hastighed, og sæt den forsigtigt tilbage i snittet.** Skiven kan binde, springe op eller forårsage tilbageslag, hvis maskinen genstartes i arbejdsemnet.
- e) **Støt paneler eller store arbejdsemner for at reducere risikoen for, at skiven binder og forårsager tilbageslag.** Store arbejdsemner har tendens til at bøjes under deres egen vægt. Der skal placeres støtter under arbejdsemnet i nærheden af skæringslinjen og nær arbejdsemnets kanter på begge sider af skiven.
- f) **Vær ekstra forsigtig, når du foretager et "lommensnit" i eksisterende vægge eller andre områder, du ikke kan se.** Den fremstikkende skive kan skære i gas- eller vandrør, elektriske kabler eller genstande, der kan forårsage tilbageslag.

Specifikke sikkerhedsadvarsler for sandslibning:

- a) **Anvend ikke for stort sandpapir. Følg producentens anbefalinger ved valg af sandpapir.** Større sandpapir, der stikker ud over sandpladen, kan skære i personer og sidde fast, forårsage slid på disken eller tilbageslag.
- #### **Specifikke sikkerhedsadvarsler for trædbørstning:**
- a) **Vær opmærksom på, at tråde kan blive slynget af børsten selv ved normal betjening. Overbelast ikke trådene ved at belaste børsten for hårdt.** Trådene kan nemt gennemtrænge let beklædning og/eller huden.
 - b) **Hvis brug af en beskyttelsesskærm anbefales til trædbørstning, må du ikke lade trædkiven eller børsten støde mod skærmen.** Diameteren af trædkiven eller børsten kan blive større på grund af arbejdsbelastning eller centrifugalkræfter.

Yderligere sikkerhedsadvarsler:

- 17. **Ved brug af forsænkede centerslibeskiver må du kun benytte glasfiberforstærkede skiver.**
- 18. **BRUG ALDRIG stensliver af koptypen til denne slibemaskine.** Denne slibemaskine er ikke designet til disse typer skiver og brugen af et sådan produkt kan muligvis resultere i alvorlig personskade.
- 19. **Vær forsigtig med ikke at beskadige spindelen, flangen (især monteringsområdet) eller sikringsmøtrikken.** Beskadigelse af disse dele kan medføre beskadigelse af skiven.
- 20. **Sørg for, at skiven ikke har kontakt med arbejdsemnet, før der tændes på kontakten.**
- 21. **Lad værktøjet køre et stykke tid, før det benyttes på et arbejdsemne. Hold øje med vibrationer eller svinger, der kan være tegn på en dårlig montering eller en dårligt afbalanceret skive.**
- 22. **Anvend den tilsigtede overflade på skiven til at udføre slibningen.**
- 23. **Gå ikke fra værktøjet, mens det kører. Lad kun værktøjet køre, mens du holder det i hænderne.**
- 24. **Berør ikke arbejdsemnet umiddelbart efter arbejdet. Det kan være meget varmt og forårsage forbrændinger af huden.**

25. Overhold producentens instruktioner for korrekt montering og brug af skiver. Vær omhyggelig med håndtering og opbevaring af skiverne.
26. Anvend ikke separate reduktionsbøsninger eller adaptere til tilpasning af slibeskiver med store huller.
27. Brug kun flanger, der er beregnet til værktøjet.
28. For værktøjer, der er beregnet til brug med skiver med trådede hjul, skal du sikre dig, at tråden i skiven er tilstrækkeligt lang til at modsvare længden af spindelen.
29. Kontroller, at arbejdsområdet er korrekt understøttet.
30. Vær opmærksom på, at skiven fortsætter med at rotere, efter at der slukkes for værktøjet.
31. Hvis arbejdspladsen er meget varm og fugtig, eller hvis den er kraftigt forurenet af ledende støv, skal du bruge en kortslutningsafbryder (30 mA) til at beskytte operatøren.
32. Anvend ikke værktøjet på materialer, der indeholder asbest.
33. Ved brug af vinkelslibeskiver skal du altid benytte den beskyttelsesskærm til støvopsamling, som den lokale lovgivning foreskriver.
34. Slibeskiver må ikke udsættes for tryk fra siden.

GEM DISSE INSTRUKTIONER.

⚠ ADVARSEL:
LAD IKKE tryghed eller kendskab til produktet (fra gentagen brug) føre til, at du ikke strengt overholder sikkerhedsreglerne for det gældende produkt. **MISBRUG** eller manglende overholdelse af sikkerhedsreglerne i denne brugsanvisning kan medføre alvorlig personskade.

FUNKTIONSBESKRIVELSE

⚠ FORSIGTIG:
• Sørg altid for, at maskinen er slukket, og at stikket er taget ud af stikkontakten, før du justerer maskinen eller kontrollerer dens funktion.

Aksellås

⚠ FORSIGTIG:
• Udløs aldrig aksellåsen, mens spindelen bevæger sig. Dette kan beskadige maskinen. (Fig. 1)
Tryk på aksellåsen for at forhindre, at spindelen roterer, mens du monterer eller afmonterer tilbehør.

Betjening af kontakt

⚠ FORSIGTIG:
• Før maskinen tilsluttes, skal du altid kontrollere, at afbryderkontakten fungerer korrekt og vender tilbage til "OFF"-stillingen, når du slipper den.
• Kontakten kan låses i "ON"-positionen for at gøre det nemmere for brugeren ved længere tids brug af maskinen. Vær forsigtig når du låser maskinen i "ON"-positionen og hold godt fast på maskinen. (Fig. 2)

For maskiner med tryklåsekontakt

For at starte maskinen skal du blot trykke på afbryderkontakten (i retning B). Slip afbryderkontakten for at stoppe. For kontinuerlig brug skal du trække i

afbryderkontakten (i retning B) og derefter trykke låsearmen ind (i retning A). Når du vil stoppe maskinen fra den låste position, skal du trykke afbryderkontakten helt ind (i retning B) og derefter slippe den.

For værktøjer med låsehåndtag

Et låsehåndtag forhindrer, at afbryderkontakt trækkes op ved et uheld.
For at starte maskinen skal du trykke låsehåndtaget ind (i retning A) og derefter trække i afbryderkontakten (i retning B). Slip afbryderkontakten for at stoppe.

For værktøjer med tryklåsekontakt og låsehåndtag

Et låsehåndtag forhindrer, at afbryderkontakt trækkes op ved et uheld.
For at starte maskinen skal du trykke låsehåndtaget ind (i retning A) og derefter trække i afbryderkontakten (i retning B). Slip afbryderkontakten for at stoppe.
For kontinuerlig brug skal du trykke låsearmen ind (i retning A), trække i afbryderkontakten (i retning B) og derefter trække i låsearmen (i retning C).
Når du vil stoppe maskinen fra den låste position, skal du trykke afbryderkontakten helt ind (i retning B) og derefter slippe den.

Indikatorlampe (for model GA7050R/GA9050R) (Fig. 3)

Indikatorlampen lyser grønt, når maskinen er sat i stikkontakten. Hvis indikatorlampen ikke tændes, er netledningen eller kontrollen muligvis defekte. Hvis indikatorlampen lyser, men maskinen ikke starter, selvom der er tændt for værktøjet, er kulbørsterne muligvis slidt ned, eller motoren eller afbryderkontakten kan være defekte.

Sikring mod genstart ved et uheld

Selvom låsehåndtaget holder afbryderkontakten nede (låst position), kan maskinen ikke starte igen, heller ikke selvom maskinen er sat i stikkontakten.
I dette tilfælde blinker indikationslampen rødt for at vise, at sikringen mod genstart ved et uheld er sat i funktion.
For at annullere sikringen mod genstart skal du trykke afbryderkontakten helt ind og derefter slippe den.

Funktion til blød start

Disse modeller begynder langsomt at køre, når de tændes. Denne funktion til blød start sikrer en jævnere betjening.

MONTERING

⚠ FORSIGTIG:
• Sørg altid for, at maskinen er slukket, og stikket er taget ud af stikkontakten, før du udfører nogen form for arbejde på maskinen.

Montering af sidegreb (håndtag)

⚠ FORSIGTIG:
• Sørg altid for, at sidegrebet er korrekt monteret før brugen. (Fig. 4)
Skru sidegrebene godt på plads på maskinen som vist i figuren.

Montering eller afmontering af beskyttelsesskærm (til forsænket

centerskive, multdisk, skivetrådbørste/ vinkelslibeskive, diamantskive)

ADVARSEL:

- Ved brug af en forsænket centerslibeskive/multidisk, flexskive eller skivetrådbørste skal beskyttelsesskærmen monteres på maskinen, så den lukkede side af skærmen altid vender mod operatøren.
- Ved brug af en vinkelslibeskive/diamantskive skal du sørge for kun at benytte den særlige beskyttelsesskærm, der er beregnet til brug med slibeskiver. (I europæiske lande kan den almindelige beskyttelsesskærm anvendes ved brug af en diamantskive.)

For værktøjer med beskyttelsesskærm af låseskruetypen (Fig. 5)

Monér beskyttelsesskærmen, så fremspringet på båndet på skærmen er justeret med mærket på kuglelejeboksen. Drej derefter beskyttelsesskærmen 180 grader mod uret. Sørg for at stramme skruen godt. Følg fremgangsmåden til montering i omvendt rækkefølge for at afmontere beskyttelsesskærmen.

For værktøjer med beskyttelsesskærm af klingefastholdertypen (Fig. 6 og 7)

Løsn håndtaget på beskyttelsesskærmen. Monér beskyttelsesskærmen, så fremspringet på båndet på skærmen er justeret med mærket på kuglelejeboksen. Drej derefter beskyttelsesskærmen til den stilling, der er vist i figuren. Stram håndtaget for at låse beskyttelsesskærmen fast. Hvis håndtaget sidder for stramt eller for løst til at fastgøre beskyttelsesskærmen, løsnes eller strammes møtrikken for at indstille stramningen af båndet på skærmen. Følg fremgangsmåden til montering i omvendt rækkefølge for at afmontere beskyttelsesskærmen.

Montering eller afmontering af forsænket centerskive/multidisk (fås som tilbehør)

ADVARSEL:

- Anvend altid den medfølgende beskyttelsesskærm, når en forsænket centerskive/multidisk er monteret på værktøjet. Skiven kan splintres under brug, og skærmen hjælper med at forebygge personskaade. (Fig. 8)

Monér den indvendige flange på spindelen. Monér skiven/disken på den indvendige flange, og skru sikringsmøtrikken på spindelen.

ADVARSEL:

- Anvend aldrig en slibeskive, der er tykkere end 6,5 mm.

Superflange

Modeller med bogstavet F er udstyret med en superflange som standard. Der behøves kun en 1/3 kraft til at løsne sikringsmøtrikken i forhold til den almindelige type.

BEMÆRK:

- Kun for maskiner med M14-spindelgevind

For Australien og New Zealand (Fig. 9)

Monér den indvendige flange på spindelen. Monér skiven/disken på den indvendige flange, og skru

sikringsmøtrikken på med fremspringet vendende nedad (ind mod skiven).

For at stramme sikringsmøtrikken trykkes der fast på aksellåsen, så spindelen ikke kan dreje rundt. Brug derefter skruenøglen til sikringsmøtrikken til at stramme godt mod uret. (Fig. 10)

Følg fremgangsmåden til montering i omvendt rækkefølge for at afmontere skiven.

Montering eller afmontering af slibedisk (fås som tilbehør)

BEMÆRK:

- Brug af slibetilbehør specificeret i denne brugsanvisning. Disse skal anskaffes separat. (Fig. 11)
- Monér gummimåtten på spindelen. Monér disken på den gummimåtten, og skru sikringsmøtrikken på spindelen. For at stramme sikringsmøtrikken trykkes der fast på aksellåsen, så spindelen ikke kan dreje rundt. Brug derefter skruenøglen til sikringsmøtrikken til at stramme godt mod uret. Følg fremgangsmåden til montering i omvendt rækkefølge for at afmontere disken.

Montering eller afmontering af Ezynut (fås som tilbehør)

FORSIGTIG:

- Brug ikke Ezynut sammen med en superflange eller vinkelsliber med "F" til sidst i modelnummeret. Disse flanger er så tykke, at spindelen ikke kan holde hele gevinddelen. (Fig. 12)

Monér den indre flange, slibeskiven/multidisken og Ezynut på spindelen, sådan at Makita-logoet på Ezynut'en vender udad. (Fig. 13)

Hold et fast tryk på aksellåsen og spænd Ezynut'en ved at dreje slibeskiven/multidisken så langt med uret som muligt.

Drej yderringen på Ezynut mod uret for løsne den. (Fig. 14 og 15)

BEMÆRK:

- Ezynut kan løsnes med håndkraft så længe pilen peger mod indhakked. Ellers kræves der en skruenøgle til at løsne den. Sæt skruenøglens ene ben ind i et hul og drej Ezynut'en mod uret.
- Kun for maskiner med M14-spindelgevind

BETJENING

ADVARSEL:

- Det bør aldrig være nødvendigt at anvende magt på maskinen. Maskinens egen vægt sørger for det nødvendige tryk. Tvang og kraftigt tryk kan medføre farlig beskadigelse af skiven.
- Udskift ALTID skiven, hvis maskinen tabes under slibning.
- Stød eller slå ALDRIG disken eller skiven mod arbejdsområdet.
- Undgå at støde og vride skiven, især ved arbejde på hjørner, skarpe kanter osv. Det kan medføre tab af kontrollen og tilbageslag.
- Anvend ALDRIG maskinen med klinger til skæring i træ og andre savklinger. Ved brug på en vinkelsliber

forårsager sådanne klinger ofte tilbageslag og tab af kontrollen, hvilket kan resultere i personskade.

⚠ FORSIGTIG:

- Tænd aldrig for maskinen, mens det er i kontakt med arbejdsemnet. Operatøren kan komme til skade.
- Bær altid beskyttelsesbriller eller ansigtsmaske under brugen.
- Efter brugen skal du altid slukke for maskinen og vente, indtil skiven er stoppet helt, før du lægger maskinen fra dig.

Anvendelse til vinkelslibning og slibning (Fig. 16)

Hold ALTID godt fast i maskinen med den ene hånd på det bageste greb og den anden hånd på sidehåndtaget. Tænd for maskinen, og sæt derefter skiven eller disken mod arbejdsemnet.

Skiven eller disken skal som regel holdes i en vinkel på cirka 15 grader mod overfladen af arbejdsemnet. Under indkøring af en ny skive må sliberen ikke anvendes i retningen B, da den ellers vil skære ned i arbejdsemnet. Når kanten af skiven er blevet rundet af ved brug, kan skiven benyttes i både A- og B-retningen.

Anvendelse af koptrådbørste (fås som tilbehør)

⚠ FORSIGTIG:

- Kontroller funktionen af børsten ved at køre værktøjet uden belastning, mens du sikrer dig, at der ikke er nogen foran eller på linje med børsten.
- Anvend ikke en beskadiget børste, eller en der ikke er afbalanceret. Anvendelse af en beskadiget børste kan forøge den potentielle skaderisiko pga. kontakt med knækkede børstetråde. (Fig. 17)

Tag værktøjets stik ud og placer det på hovedet, så der er nem adgang til spindelen. Fjern alt tilbehør på spindelen. Monter koptrådbørsten på spindelen og spænd til med den medfølgende skruenøgle. Ved brug af børsten skal unødigt tryk undgås, da det får trådene til at bøje og medfører, at børsten går for hurtigt i stykker.

Anvendelse af skivetrådbørste (fås som tilbehør)

⚠ FORSIGTIG:

- Kontroller funktionen af skivetrådbørsten ved at køre værktøjet uden belastning, mens du sikrer dig, at der ikke er nogen foran eller på linje med skivetrådbørsten.
- Anvend ikke en beskadiget skivetrådbørste, eller en der ikke er afbalanceret. Anvendelse af en beskadiget skivetrådbørste kan forøge den potentielle skaderisiko pga. kontakt med knækkede tråde.
- Anvend ALTID beskyttelsesskærmen sammen med skivetrådbørster, hvis skivediameteren passer inden i skærmen. Skiven kan splintres under brug, og skærmen hjælper med at forebygge personskade. (Fig. 18)

Tag værktøjets stik ud og placer det på hovedet, så der er nem adgang til spindelen. Fjern alt tilbehør på spindelen. Skru skivetrådbørsten på spindelen og spænd til med skruenøglerne.

Ved brug af skivetrådbørsten skal unødigt tryk undgås, da det får trådene til at bøje og medfører, at børsten går for hurtigt i stykker.

Anvendelse af vinkelslibeskive/diamantskive (fås som tilbehør)

⚠ ADVARSEL:

- Ved brug af en vinkelslibeskive/diamantskive skal du sørge for kun at benytte den særlige beskyttelseskærm, der er beregnet til brug med slibeskiver. (I europæiske lande kan den almindelige beskyttelseskærm anvendes ved brug af en diamantskive.)
- Brug ALDRIG vinkelslibeskiver til afslibning af sider.
- Undlad at "lase" skiven eller anvende unødigt pres. Undlad at skære for dybt. Hvis skiven overbelastes, forøges belastningen og risikoen for at bøje skiven, eller at den sidder fast i snittet, hvilket øger risikoen for tilbageslag, eller at skiven går i stykker, og motoren kan blive overophedet.
- Start ikke snittet i arbejdsemnet. Lad skiven nå fuld hastighed, og sæt den forsigtigt ned i snittet ved at flytte værktøjet hen over overfladen på arbejdsemnet. Skiven kan binde, springe op eller slå tilbage, hvis maskinen startes i arbejdsemnet.
- Skift aldrig skivens vinkel under betjeningen. Hvis der øves tryk fra siden på vinkelslibeskiven (f.eks. ved afslibning), kan skiven revne eller brække, hvilket kan medføre alvorlig personskade.
- En diamantskive skal anvendes vinkelret på det materiale, der skæres.

Montr den indvendige flange på spindelen. Monter skiven/disken på den indvendige flange, og skru sikringsmøtrikken på spindelen. (Fig. 19) Ved montering af en diamantskive eller en vinkelslibeskive med en sikvetykkelse på 7 mm eller mere, skal du montere sikringsmøtrikken med dens cirkulære del (fremspring) til skivehullet vendende mod skiven.

For Australien og New Zealand

Montering eller afmontering af vinkelslibeskive/diamantskive (fås som tilbehør) (Fig. 20)

VEDLIGEHOVELSE

⚠ FORSIGTIG:

- Sørg altid for, at maskinen er slukket, og at stikket er taget ud, før du udfører inspektion eller vedligeholdelse.
- Brug aldrig benzin, benzen, fortynder, alkohol eller lignende. Det kan muligvis medføre misfarvning, deformation eller revner.

Maskinen og ventilationsåbningerne skal holdes rene. Rengør maskinens ventilationsåbninger regelmæssigt, eller når åbningerne begynder at blive tilstoppede. (Fig. 21)

Udskiftning af kulbørsterne (Fig. 22)

Når den isolerende harpiksspids i kulbørsterne kommer i kontakt med kommutatoren, slukkes der automatisk for motoren. Når det sker, skal begge kulbørster udskiftes.

Hold kulbørsterne rene og frie til at glide i holderne. Begge kulbørster skal udskiftes samtidig. Brug altid identiske kulbørster.

Brug en skruetrækker til at fjerne kulholderdækslerne. Tag de udslidte kulbørster ud, monter de nye, og fastgør kulholderdækslerne. (Fig. 23)

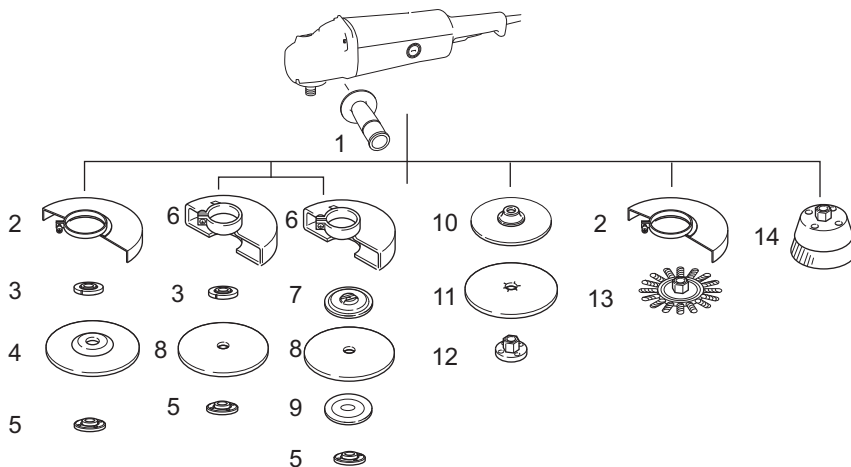
For at holde produktet SIKKERT og PÅLIDELIGT skal reparationer samt al anden vedligeholdelse eller justering udføres af autoriserede Makita-servicecentre, og der skal altid benyttes Makita-reservedele.

EKSTRAUDSTYR

⚠ FORSIGTIG:

- Dette tilbehør eller ekstraudstyr anbefales til brug med det Makita-værktøj, som er beskrevet i denne brugsanvisning. Brug af andet tilbehør eller ekstraudstyr kan forårsage personskade. Brug kun tilbehør eller ekstraudstyr til det formål, det er beregnet til.

Henvend dig til dit lokale Makita-servicecenter, hvis du har brug for hjælp eller yderligere oplysninger vedrørende tilbehøret.



| | |
|----|--|
| 1 | Sidegreb |
| 2 | Beskyttelsesskærm til forsænket centerslibeskive / multidisk / skivetrådbørste |
| 3 | Indvendig flange / superflange ^{*1 *2} |
| 4 | Forsænket centerskive/multidisk |
| 5 | Sikringsmøtrik / Ezynut ^{*1 *2} |
| 6 | Beskyttelsesskærm til vinkelslibeskive / diamantskive ^{*3} |
| 7 | Indvendig flange 78 (kun Australien og New Zealand) ^{*4} |
| 8 | Vinkelslibeskive/diamantskive |
| 9 | Udvendig flange 78 (kun Australien og New Zealand) ^{*4} |
| 10 | Gummimåtte |
| 11 | Slibedisk |
| 12 | Låsemøtrik til sandslibning |
| 13 | Skivetrådbørste |
| 14 | Koptrådbørste |
| - | Skruenøgle til sikringsmøtrik |
| - | Støvdækselmontering |

*1 Kun for maskiner med M14-spindelgevind.

*2 Brug ikke superflange og Ezynut på samme tid.

*3 I visse europæiske lande kan den almindelige beskyttelsesskærm anvendes ved brug af en diamantskive i stedet for den særlige skærm, som dækker begge sider af skiven. Du skal følge bestemmelserne i dit land.

*4 Brug indvendig flange 78 og udvendig flange 78 sammen. (Kun Australien og New Zealand)

BEMÆRK:

- Visse dele på listen er muligvis indeholdt maskinindpakningen som standardtilbehør. De kan variere fra land til land.

Støj

ENG905-1

Det typiske A-vægtede støjniveau bestemt i overensstemmelse med EN60745:

Model GA7050, GA7050R, GA9050, GA9050R

Lydtrykniveau (L_{pA}): 94 dB (A)
Lydeffektniveau (L_{WA}): 105 dB (A)
Usikkerhed (K): 3 dB (A)

Bær høreværn.**Vibration**

ENG900-1

Den samlede vibrationsværdi (treaksiel vektorsum) bestemt i overensstemmelse med EN60745:

Model GA7050, GA7050R

Arbejdstilstand: overfladeslibning
Vibrationsemission ($a_{h,AG}$): 6,5 m/s²
Usikkerhed (K): 1,5 m/s²

Arbejdstilstand: diskslibning

Vibrationsemission ($a_{h,DS}$): 4,0 m/s²
Usikkerhed (K): 1,5 m/s²

Model GA9050, GA9050R

Arbejdstilstand: overfladeslibning
Vibrationsemission ($a_{h,AG}$): 5,5 m/s²
Usikkerhed (K): 1,5 m/s²

Arbejdstilstand: diskslibning

Vibrationsemission ($a_{h,DS}$): 2,5 m/s²
Usikkerhed (K): 1,5 m/s²

ENG902-1

- Den opgivne vibrationsemissionsværdi er målt i overensstemmelse med standardtestmetoden og kan bruges til at sammenligne et værktøj med et andet.
- Den opgivne vibrationsemissionsværdi kan muligvis også bruges til en indledende eksponeringsvurdering.
- Den opgivne vibrationsemissionsværdi gælder, når maskinen benyttes til dens hovedfunktioner. Men hvis maskinen bruges til andre formål, vil vibrationsemissionsværdien muligvis være en anden.

⚠ ADVARSEL:

- Vibrationsemissionen under den faktiske brug af maskinen kan afvige fra den opgivne emissionsværdi afhængigt af den måde, maskinen anvendes på.
- Sørg for at bestemme sikkerhedsforanstaltninger for beskyttelse af operatøren, som er baseret på en eksponeringsvurdering for brug under faktiske forhold (hvor alle anvendelsescyklussens dele inddrages, som f.eks. antal gange maskinen slukkes, og når den kører i tomgang ud over triggertiden).

Kun for europæiske lande

ENH101-17

EF-overensstemmelseserklæring**Makita erklærer at følgende Makita-maskine(r):**

Maskinens betegnelse:

Vinkelsliber

Modelnummer/ type: GA7050, GA7050R, GA9050, GA9050R

Overholder følgende europæiske direktiver:

2006/42/EF

De er produceret i overensstemmelse med den følgende standard eller standardiserede dokumenter:

EN60745

Den tekniske fil er i overensstemmelse med 2006/42/EF til rådighed fra:

Makita, Jan-Baptist Vinkstraat 2, 3070, Belgien

31. 12. 2013



Yasushi Fukaya

Direktør

Makita, Jan-Baptist Vinkstraat 2, 3070, Belgien

ΕΛΛΗΝΙΚΑ (Πρωτογενείς οδηγίες)

Γενική περιγραφή

- | | | |
|--------------------------------|---|--|
| 1. Κλειδωμα άξονα | 14. Κλειδι κλειδώματος παξιμαδιών | 25. Προστατευτικό λειαντικού τροχού κοπής/διαμαντιένιου τροχού |
| 2. Σκανδάλη διακόπτης | 15. Λειαντικός δίσκος | 26. Εξωτερική φλάντζα 78 |
| 3. Μοχλός κλειδώματος | 16. Λαστιχένιο επίθεμα | 27. Εσωτερική φλάντζα 78 |
| 4. Ενδεικτική λυχνία | 17. Εζυγυή | 28. Άνοιγμα εξόδου αέρα |
| 5. Προστατευτικό τροχού | 18. Λειαντικός τροχός/Πολυδίσκος | 29. Άνοιγμα εισόδου αέρα |
| 6. Βίδα | 19. Άξονας | 30. Μετατροπέας |
| 7. Κιβώτιο ρουλεμάν | 20. Βέλος | 31. Μονωτική μύτη |
| 8. Παξιμάδι | 21. Εγκοπή | 32. Καρβουνάκι |
| 9. Μοχλός | 22. Κυπελλοειδής συρματόβουρσα | 33. Καπάκι θήκης ψήκτρας |
| 10. Παξιμάδι κλειδώματος | 23. Συρματόβουρσα τροχού | 34. Κατσαβίδι |
| 11. Τροχός χαμηλωμένου κέντρου | 24. Λειαντικός τροχός κοπής/ διαμαντένιος τροχός | |
| 12. Εσωτερική φλάντζα | | |
| 13. Μεγάλη φλάντζα | | |

ΠΡΟΔΙΑΓΡΑΦΕΣ

| Μοντέλο | GA7050 | GA7050R | GA9050 | GA9050R |
|---|------------------------------------|----------------------------|----------------------------|----------------------------|
| Διάμετρος τροχού χαμηλωμένου κέντρου | 180 mm | 180 mm | 230 mm | 230 mm |
| Μέγιστο πάχος τροχού | 6,5 mm | 6,5 mm | 6,5 mm | 6,5 mm |
| Σπείρωμα άξονα | M14 ή 5/8" (εξαρτάται από τη χώρα) | | | |
| Ταχύτητα χωρίς φορτίο (n ₀)/ Ονομαστική ταχύτητα (n) | 8.500 (min ⁻¹) | 8.500 (min ⁻¹) | 6.600 (min ⁻¹) | 6.600 (min ⁻¹) |
| Ολικό μήκος | 432 mm | 455 mm | 432 mm | 455 mm |
| Καθαρό βάρος | 4,5 kg | 4,6 kg | 4,7 kg | 4,8 kg |
| Τάξη ασφάλειας | II/II | | | |

- Λόγω του συνεχόμενου προγράμματος που εφαρμόζουμε για έρευνα και ανάπτυξη, τα τεχνικά χαρακτηριστικά στο παρόν έντυπο υπόκεινται σε αλλαγή χωρίς προειδοποίηση.
- Τα τεχνικά χαρακτηριστικά ενδέχεται να διαφέρουν ανάλογα με τη χώρα.
- Βάρος σύμφωνα με τη διαδικασία ΕΡΤΑ 01/2003

Σύμβολα

END202-8

Παρακάτω παρουσιάζονται τα σύμβολα που χρησιμοποιούνται για τον εξοπλισμό. Βεβαιωθείτε ότι κατανοείτε τη σημασία τους πριν από τη χρήση.



..... Διαβάστε το εγχειρίδιο οδηγιών.



..... ΔΙΠΛΗ ΜΟΝΩΣΗ



..... Να φοράτε γυαλιά προστασίας.



..... Μόνο για τις χώρες της ΕΕ
Μην απορρίπτετε ηλεκτρικές συσκευές στον κάδο οικιακών απορριμμάτων!
Σύμφωνα με την Ευρωπαϊκή Οδηγία περί των απορριμμάτων ηλεκτρικών και ηλεκτρονικών συσκευών και την ενσωμάτωση της στο εθνικό δίκαιο, οι ηλεκτρικές συσκευές, των οποίων έχει παρέλθει ο χρόνος ωφέλιμης ζωής τους, θα πρέπει να συλλέγονται ξεχωριστά και να επιστρέφονται σε εγκαταστάσεις περιβαλλοντικής ανακύκλωσης.

Προοριζόμενη χρήση

ENE048-1

Το εργαλείο προορίζεται για τρόχισμα, λείανση και κοπή μεταλλικών και πέτρινων υλικών χωρίς τη χρήση νερού.

Παροχή ρεύματος

ENF002-2

Το εργαλείο πρέπει να συνδέεται μόνο σε ηλεκτρική παροχή της ίδιας τάσης με αυτήν που αναγράφεται στην πινακίδα ονομαστικών τιμών και μπορεί να λειτουργήσει μόνο με εναλλασσόμενο μονοφασικό ρεύμα. Τα εργαλεία αυτά διαθέτουν διπλή μόνωση και συνεπώς μπορούν να συνδεθούν με πρίζες χωρίς γείωση.

Για το μοντέλο GA7050, GA9050

ENF100-1

Για δημόσια συστήματα διανομής χαμηλής τάσης μεταξύ 220 V και 250 V.

Η εναλλαγή της λειτουργίας των ηλεκτρικών συσκευών προκαλεί διακυμάνσεις ηλεκτρικής τάσης. Η λειτουργία αυτής της συσκευής κάτω από δυσμενείς συνθήκες κεντρικής ηλεκτρικής παροχής μπορεί να επιδράσει αρνητικά στη λειτουργία άλλου εξοπλισμού. Όταν η αντίσταση του κεντρικού ηλεκτρικού ρεύματος είναι ίση ή μικρότερη των 0,22 Ω, μπορεί να θεωρηθεί ότι δεν θα υπάρξουν αρνητικές επιδράσεις. Η πρίζα της κεντρικής ηλεκτρικής παροχής που θα χρησιμοποιηθεί για αυτήν τη συσκευή θα πρέπει να προστατεύεται με τη χρήση ασφάλειας ή προστατευτικού διακόπτη κυκλώματος με χαρακτηριστικά αργής ενεργοποίησης.

Γενικές Προειδοποιήσεις Ασφαλείας Του Ηλεκτρικού Εργαλείου

GEA010-1

⚠️ ΠΡΟΕΙΔΟΠΟΙΗΣΗ Διαβάστε όλες τις προειδοποιήσεις ασφαλείας και όλες τις οδηγίες. Αν δεν ακολουθήσετε όλες τις προειδοποιήσεις και τις οδηγίες, υπάρχει κίνδυνος ηλεκτροπληξίας, πυρκαγιάς ή/και σοβαρού τραυματισμού.

Φυλάξτε όλες τις προειδοποιήσεις και τις οδηγίες για μελλοντική αναφορά.

ΠΡΟΕΙΔΟΠΟΙΗΣΕΙΣ ΑΣΦΑΛΕΙΑΣ ΓΙΑ ΤΟΝ ΤΡΟΧΟ

GEB033-7

Προειδοποιήσεις ασφάλειας που συνήθίζονται για τρόχιμα, λείανση, χρήση σαρματόβουρτσας ή λειαντικές εργασίες κοπής:

1. Αυτό το ηλεκτρικό εργαλείο προορίζεται για να λειτουργεί ως εργαλείο τρόχιματος, λείανσης, σαρματόβουρτσας ή κοπής. Διαβάστε όλες τις προειδοποιήσεις ασφαλείας, τις οδηγίες, τις εικόνες και τις προδιαγραφές που παρέχονται με αυτό το ηλεκτρικό εργαλείο. Αν δεν ακολουθήσετε όλες τις οδηγίες που παρατίθενται παρακάτω, υπάρχει κίνδυνος ηλεκτροπληξίας, πυρκαγιάς ή/και σοβαρού τραυματισμού.
2. **Δεν συνιστάται η πραγματοποίηση εργασιών όπως το γυάλισμα με αυτό το ηλεκτρικό εργαλείο.** Αν χρησιμοποιηθεί το ηλεκτρικό εργαλείο για εργασίες για τις οποίες δεν έχει σχεδιαστεί, ενδεχομένως να προκληθεί κίνδυνος και προσωπικός τραυματισμός.
3. **Μη χρησιμοποιείτε εξαρτήματα που δεν είναι ειδικά σχεδιασμένα από τον κατασκευαστή του εργαλείου και τα οποία δεν συνιστά ο κατασκευαστής του εργαλείου.** Αν και είναι δυνατό να προσαρτηθεί το εξάρτημα στο ηλεκτρικό εργαλείο σας, αυτό δεν σημαίνει ότι μπορεί να λειτουργεί με ασφάλεια.
4. **Η ονομαστική ταχύτητα του εξαρτήματος πρέπει να είναι τουλάχιστον ίση με τη μέγιστη ταχύτητα που αναγράφεται στο ηλεκτρικό εργαλείο.** Τα εξαρτήματα που λειτουργούν με ταχύτητα υψηλότερη από την ονομαστική ταχύτητά τους μπορεί να σπασούν και να εκτιναχθούν τα μέρη τους.
5. **Η εξωτερική διάμετρος και το πάχος του εξαρτήματος σας πρέπει να βρίσκονται εντός των δυνατοτήτων του ηλεκτρικού εργαλείου σας.** Τα εξαρτήματα με λανθασμένο μέγεθος δεν προστατεύονται ούτε ελέγχονται ικανοποιητικά.
6. **Το σπείρωμα για τη στερέωση των εξαρτημάτων πρέπει να ταιριάζει με το σπείρωμα της ατράκτου του τροχού.** Για εξαρτήματα που στερεώνονται με φλάντζες, η τρύπα του άξονα του εξαρτήματος πρέπει να ταιριάζει με τη διάμετρο έδρασης της φλάντζας. Τα εξαρτήματα που δεν ταιριάζουν με τον εξοπλισμό στερέωσης του ηλεκτρικού εργαλείου θα λειτουργούν ιδιόρρυθμα, προκαλώντας υπερβολικούς κραδασμούς και ενδεχομένως απώλεια ελέγχου.
7. **Μη χρησιμοποιείτε εξαρτήματα που έχουν υποστεί βλάβη.** Πριν από κάθε χρήση να ελέγχετε

τα εξαρτήματα, για παράδειγμα, τους λειαντικούς τροχούς για θραύσματα και ραγίσματα, τα βύσματα στήριξης για ραγίσματα, σχισίματα ή υπερβολική φθορά, τη σαρματόβουρτσα για χαλαρά ή ραγισμένα σύρματα. Αν το ηλεκτρικό εργαλείο ή ένα εξάρτημα πέσει κάτω, ελέγξτε για ζημιές ή εγκαταστήστε με ένα εξάρτημα που δεν έχει υποστεί βλάβη. Αφού ελέγξετε και εγκαταστήσετε το εξάρτημα, απομακρυνθείτε εσείς και οι παρευρισκόμενοι από το επίπεδο του περιστρεφόμενου εξαρτήματος και θέστε το ηλεκτρικό εργαλείο σε λειτουργία στη μέγιστη ταχύτητα χωρίς φορτίο για ένα λεπτό. Τα εξαρτήματα που έχουν υποστεί βλάβη, συνήθως σπάνε κατά τη διάρκεια αυτής της δοκιμής.

8. **Να φοράτε προσωπικό προστατευτικό εξοπλισμό.** Ανάλογα με την εφαρμογή, να χρησιμοποιείτε προσωπίδα, προστατευτικά ματιών ή προστατευτικά γυαλιά. Αν είναι απαραίτητο, να φοράτε προσωπίδα κατά της σκόνης, ωτοασπίδες, γάντια και φόρμα συνεργείου που έχουν τη δυνατότητα να σταματούν την κίνηση μικρών θραυσμάτων που προέρχονται από τη λείανση ή το τεμάχιο εργασίας. Ο προστατευτικός εξοπλισμός για τα μάτια πρέπει να έχει τη δυνατότητα να σταματά την κίνηση των εκτινασόμενων θραυσμάτων που δημιουργούνται από τις διάφορες εργασίες. Η προσωπίδα κατά της σκόνης ή ο αναπνευστήρας πρέπει να έχει τη δυνατότητα να φιλτράρει τα σωματίδια που δημιουργούνται από την εργασία που εκτελείται. Η παραπεταμένη έκθεση σε θόρυβο υψηλής έντασης μπορεί να προκαλέσει απώλεια ακοής.
9. **Να απομακρύνετε τους μη έχοντες εργασία σε ασφαλή απόσταση από το χώρο εργασίας.** Κάθε άτομο που εισέρχεται στο χώρο εργασίας πρέπει να φορά προσωπικό προστατευτικό εξοπλισμό. Μπορεί να εκτιναχθούν θραύσματα από το τεμάχιο εργασίας ή από ένα σπασμένο εξάρτημα και να προκαλέσουν τραυματισμό σε άτομα που βρίσκονται μακριά από την άμεση περιοχή της εργασίας.
10. **Να κρατάτε το ηλεκτρικό εργαλείο μόνο από τις λαβές με μόνωση όταν εκτελείτε εργασίες κατά τις οποίες το κοπτικό εξάρτημα μπορεί να έρθει σε επαφή με κρυμμένα καλώδια ή με το ίδιο του το καλώδιο.** Αν το κοπτικό εξάρτημα έρθει σε επαφή με κάποιο ηλεκτροφόρο καλώδιο, τα εκτεθειμένα μεταλλικά μέρη του ηλεκτρικού εργαλείου θα γίνουν κι αυτά ηλεκτροφόρα και μπορεί να προκληθεί ηλεκτροπληξία στο χειριστή.
11. **Να τοποθετείτε το ηλεκτρικό καλώδιο μακριά από το περιστρεφόμενο εξάρτημα.** Αν χάσετε τον έλεγχο, το ηλεκτρικό καλώδιο μπορεί να κοπεί ή να σκλωθεί, και μπορεί να τραβήξει το χέρι ή το βραχιόνιό σας μέσα στο περιστρεφόμενο εξάρτημα.
12. **Ποτέ να μην τοποθετείτε κάτω το ηλεκτρικό εργαλείο έως ότου το εξάρτημα σταματήσει τελείως.** Το περιστρεφόμενο εξάρτημα ενδεχομένως να πιαστεί στην επιφάνεια και να χάσετε τον έλεγχο του ηλεκτρικού εργαλείου.
13. **Μη θέτετε το ηλεκτρικό εργαλείο σε λειτουργία ενώ το μεταφέρετε κρατώντας το στο πλάι σας.** Η τυχαία επαφή με το περιστρεφόμενο εξάρτημα μπορεί

να έχει ως αποτέλεσμα να πιστούν τα ρούχα σας και το εξάρτημα να τραβηχτεί προς το σώμα σας.

14. **Να καθαρίζετε τακτικά τα ανοίγματα εξαερισμού του ηλεκτρικού εργαλείου.** Ο ανεμιστήρας του μοτέρ τραβάει τη σκόνη στο εσωτερικό του περιβλήματος και η υπερβολική συσσώρευση μετάλλου σε μορφή σκόνης ενδοχομένων να προκαλέσει κίνδυνο ηλεκτροπληξίας.

15. **Μη θέτετε σε λειτουργία το ηλεκτρικό εργαλείο κοντά σε εύφλεκτα υλικά.** Οι σπινθήρες μπορούν να προκαλέσουν ανάφλεξη αυτών των υλικών.

16. **Μη χρησιμοποιείτε εξαρτήματα που απαιτούν υγρά ψυκτικά.** Η χρήση νερού ή άλλων υγρών ψυκτικών μπορεί να έχει ως αποτέλεσμα την ηλεκτροπληξία.

Κλώσημα και Σχετικές Προειδοποιήσεις

Το κλώσημα είναι μια ξαφνική αντίδραση όταν αποκοπεί ή σκαλώσει ο περιστρεφόμενος τροχός, το βύσμα στήριξης, η βούρτσα ή κάποιο άλλο εξάρτημα. Η αποκοπή ή το σκάλωμα προκαλεί την απότομη εμπλοκή του περιστρεφόμενου εξαρτήματος, το οποίο με τη σειρά του προκαλεί την κίνηση του ανεξέλεγκτου ηλεκτρικού εργαλείου προς την αντίθετη κατεύθυνση της περιστροφής του εξαρτήματος στο σημείο της ένωσης. Για παράδειγμα, αν ένας λειαντικός τροχός αποκοπεί ή σκαλώσει στο τεμάχιο εργασίας, το άκρο του τροχού που εισέρχεται στο σημείο αποκοπής μπορεί να σκάψει μέσα στην επιφάνεια του υλικού και να έχει ως αποτέλεσμα ο τροχός να εξέλθει από αυτό ή να κλωσήσει. Ο τροχός μπορεί να πεταχτεί προς το χειριστή ή μακριά από αυτόν, ανάλογα με την κατεύθυνση κίνησης του τροχού στο σημείο της αποκοπής. Οι λειαντικοί τροχοί μπορεί και να σπάσουν κάτω από αυτές τις συνθήκες.

Το κλώσημα προκαλείται όταν το ηλεκτρικό εργαλείο χρησιμοποιείται λανθασμένα ή/και όταν οι διαδικασίες ή οι συνθήκες λειτουργίας είναι λανθασμένες, ενώ μπορεί να αποφευχθούν αν ληφθούν οι κατάλληλες προφυλάξεις που αναφέρονται παρακάτω.

a) **Να κρατάτε το ηλεκτρικό εργαλείο καλά και με τα δύο χέρια και να τοποθετείτε το σώμα και το βραχίονά σας με τρόπο ώστε να αντιστέκονται στη δύναμη του κλωσήματος. Να χρησιμοποιείτε πάντα τη βοηθητική λαβή, αν παρέχεται, για μέγιστο έλεγχο κατά του κλωσήματος ή της αντίδρασης ροπής κατά την έναρξη της λειτουργίας.** Ο χειριστής μπορεί να ελέγξει τις αντιδράσεις ροπής ή τις δυνάμεις κλωσήματος αν λάβει τις κατάλληλες προφυλάξεις.

b) **Μην τοποθετείτε ποτέ τα χέρια σας κοντά στο περιστρεφόμενο εξάρτημα.** Το εξάρτημα μπορεί να κλωσήσει επάνω στο χέρι σας.

c) **Μην τοποθετείτε το σώμα σας στην περιοχή που θα κινηθεί το ηλεκτρικό εργαλείο στην περίπτωση που αυτό κλωσήσει.** Το κλώσημα θα προωθήσει το εργαλείο προς την αντίθετη κατεύθυνση της κίνησης του τροχού στο σημείο του σκαλώματος.

d) **Να είστε ιδιαίτερα προσεκτικοί όταν εργάζεστε σε γωνίες, αιχμηρές άκρες, κτλ. Να αποφεύγετε την αναπήδηση και το σκάλωμα του εξαρτήματος.** Οι γωνίες, οι αιχμηρές άκρες ή η αναπήδηση έχουν την τάση να σκαλώνουν το περιστρεφόμενο εξάρτημα και να προκαλούν την απώλεια ελέγχου ή το κλώσημα.

e) **Μην προσαρτάτε μια λάμα αλυσοπρίονου για ξύλο ή οδοντωτή λάμα.** Τέτοιες λάμες δημιουργούν συχνά κλώσημα και απώλεια του ελέγχου.

Ειδικές Προειδοποιήσεις Ασφάλειας για Τρόχισμα και Λειαντικές Εργασίες Κοπής:

a) **Να χρησιμοποιείτε μόνο είδη τροχών που συνιστώνται για το ηλεκτρικό εργαλείο σας και να χρησιμοποιείτε το ειδικό προστατευτικό που έχει σχεδιαστεί για τον επιλεγμένο τροχό.** Οι τροχοί για τους οποίους δεν είναι σχεδιασμένο το ηλεκτρικό εργαλείο δεν μπορούν να προστατευτούν ικανοποιητικά και είναι ανασφαλείς.

b) **Η λειαντική επιφάνεια των τροχών με χαμηλωμένο κέντρο πρέπει να στερεωθεί κάτω από το επίπεδο του άκρου του προφυλακτήρα.** Ένας ακατάλληλα τοποθετημένος τροχός που προεξέχει από το επίπεδο του άκρου του προφυλακτήρα δεν μπορεί να προστατευτεί επαρκώς.

c) **Το προστατευτικό πρέπει να προσαρτηθεί με ασφάλεια στο ηλεκτρικό εργαλείο και να τοποθετηθεί ώστε να παρέχει μέγιστη ασφάλεια, με τρόπο ώστε ο χειριστής να είναι εκτεθειμένος σε όσο το δυνατό μικρότερο μέρος του τροχού.** Το προστατευτικό βοηθά στην προστασία του χειριστή από σπασμένα τμήματα του τροχού, ακούσια επαφή με τον τροχό και από τους σπινθήρες που μπορούν να προκαλέσουν ανάφλεξη του ρουχισμού.

d) **Πρέπει να χρησιμοποιείτε τους τροχούς μόνο για τις συνιστώμενες εφαρμογές. Για παράδειγμα: μην τροχίζετε με την πλευρά του τροχού κοπής.** Οι λειαντικοί τροχοί κοπής προορίζονται για περιφερειακό τρόχισμα. Οι πλειεπικές δυνάμεις που ασκούνται σε αυτούς τους τροχούς ενδοχομένων να προκαλέσουν το θρυμματισμό τους.

e) **Να χρησιμοποιείτε πάντα φλάντζες τροχών με το σωστό μέγεθος και σχήμα για τον επιλεγμένο τροχό σας, οι οποίες δεν έχουν υποστεί βλάβη.** Οι κατάλληλες φλάντζες τροχών υποστηρίζουν τον τροχό και συνεπώς μειώνουν την πιθανότητα αυτός να σπάσει. Οι φλάντζες για τους τροχούς κοπής ενδοχομένων να διαφέρουν από τις φλάντζες τροχών τρόχισματος.

f) **Μη χρησιμοποιείτε φθαρμένους τροχούς από μεγαλύτερα ηλεκτρικά εργαλεία.** Ο τροχός που προορίζεται για μεγαλύτερα ηλεκτρικά εργαλεία δεν είναι κατάλληλος για την υψηλότερη ταχύτητα των μικρότερων εργαλείων, και ενδοχομένων να σπάσει.

Προθέστε ειδικές προειδοποιήσεις ασφαλείας για λειαντικές εργασίες κοπής:

a) **Μη “μπλοκάρετε” τον τροχό κοπής και μην ασκείτε υπερβολική πίεση σε αυτόν. Μην επιχειρήσετε να κάνετε μια υπερβολικά βαθιά κοπή.** Αν ασκείται υπερβολική πίεση στον τροχό αυξάνεται το φορτίο και η ευπάθεια στις δυνάμεις στρέψης και δέσμμευσης του τροχού στην κοπή, ενώ αυξάνεται και η πιθανότητα κλωσήματος ή σπασίματος του τροχού.

b) **Μην τοποθετείτε το σώμα σας στην ίδια ευθεία με τον περιστρεφόμενο τροχό ή πίσω από αυτόν.** Όταν ο τροχός μετακινείται μακριά από το σώμα σας, ένα πιθανό κλώσημα ενδοχομένων να προωθήσει τον περιστρεφόμενο τροχό και το ηλεκτρικό εργαλείο κατευθύνει επάνω σας τη στιγμή που τον θέτετε σε λειτουργία.

c) Όταν εμποδίζεται η κίνηση του τροχού ή όταν διακόπεται η κοπή για οποιονδήποτε λόγο, σβήστε το ηλεκτρικό εργαλείο και κρατήστε το ακίνητο έως ότου ο τροχός σταματήσει να κινείται εντελώς. Μη επιχειρήσετε ποτέ να βγάλετε τον τροχό κοπής από την κοπή όταν ο τροχός κινείται, επειδή το εργαλείο μπορεί να κλωτσήσει.

Διερευνήστε την αιτία που εμποδίζεται η κίνηση του τροχού και λάβετε διορθωτικά μέτρα.

d) Μην ξεκινήσετε ξανά την εργασία κοπής στο τεμάχιο εργασίας. Αφήστε τον τροχό να αποκτήσει την πλήρη ταχύτητά του και εισάγετέ τον ξανά στην κοπή προσεκτικά. Αν θέσετε το ηλεκτρικό εργαλείο ξανά σε λειτουργία μέσα στο τεμάχιο εργασίας, μπορεί να εμποδίσει η κίνηση του τροχού, ή μπορεί ο τροχός να αναπηδήσει ή να κλωτσήσει.

e) Πρέπει να στηρίζετε τις πλάκες και τα υπερμεγέθη τεμάχια εργασίας για να ελαχιστοποιείτε τον κίνδυνο αποκοπής και κλωτσήματος του τροχού. Τα μεγάλα τεμάχια εργασίας τείνουν να βαθουλώνουν από το ίδιο τους το βάρος. Πρέπει να τοποθετείτε στηρίγματα κάτω από το τεμάχιο εργασίας, κοντά στη γραμμή κοπής και κοντά στην άκρη του τεμαχίου εργασίας, και στις δύο πλευρές του τροχού.

f) Να είστε ιδιαίτερα προσεκτικοί όταν εκτελείτε “κοπές θύλακα” σε τοίχους ή άλλες περιοχές για τις οποίες δεν γνωρίζετε τι κρύβουν στο εσωτερικό τους. Αν ο τροχός προεξέχει, μπορεί να κόψει σωλήνες υγραερίου ή νερού, ηλεκτρικά καλώδια ή αντικείμενα που θα προκαλέσουν το κλώτσιμά του.

Ειδικές Προειδοποιήσεις Ασφαλείας για τις Λειτουργίες Λείανσης:

a) Μη χρησιμοποιείτε υπερβολικά υπερμεγέθη γυαλόχαρτα στο δίσκο. Να ακολουθείτε τις συστάσεις των κατασκευαστών, όταν επιλέγετε γυαλόχαρτο. Το μεγαλύτερο γυαλόχαρτο που προεξέχει πέρα από το λειαντικό επίθεμα κινδυνεύει να σκιστεί και μπορεί να προκληθούν σκάλωμα, σχίσμο του δίσκου ή κλώτσιμα.

Ειδικές Προειδοποιήσεις Ασφάλειας για τις Εργασίες με Χρήση Συρματόβουρτσας :

a) Να γνωρίζετε ότι οι συρματένιες τρίχες πετάγονται από τη βούρτσα ακόμα και κατά την κανονική λειτουργία. Μην πιέζετε υπερβολικά τα σύρματα ασκώντας υπερβολικό φορτίο στη βούρτσα. Οι συρματένιες τρίχες μπορούν εύκολα να διαπεράσουν τον ελαφρύ ρουχισμό ή/και το δέρμα.

b) Αν συνιστάται η χρήση προστατευτικού κατά τη χρήση της συρματόβουρτσας, μην αφήνετε τον τροχό σύρματος ή τη συρματόβουρτσα να εμπλακεί με το προστατευτικό. Ενδεχομένως να μεγαλώσει η διάμετρος του τροχού σύρματος ή της συρματόβουρτσας εξαιτίας του φόρτου εργασίας και των φυγοκεντρικών δυνάμεων.

Επιπλέον Προειδοποιήσεις Ασφαλείας:

17. Όταν χρησιμοποιείτε τροχούς τροχίσματος με χαμηλωμένο κέντρο, να βεβαιώνετε να χρησιμοποιείτε μόνο τροχούς ενισχυμένους με υαλοίνες.
18. Μη χρησιμοποιείτε ΠΟΤΕ πέτρινους κυπελλοειδής τύπου τροχούς με αυτό το εργαλείο τροχίσματος. Αυτό το εργαλείο τροχίσματος δεν είναι

σχεδιασμένο για τους τροχούς αυτού του τύπου και η χρήση ενός τέτοιου προϊόντος μπορεί να προκαλέσει σοβαρό προσωπικό τραυματισμό.

19. Να προσέχετε ώστε να μην καταστρέψετε την άτρακτο, τη φλάντζα (ειδικά την επιφάνεια τοποθέτησης) ή το παξιμάδι κλειδώματος. Αν τα εξαρτήματα αυτά είναι κατεστραμμένα, μπορεί να έχει ως αποτέλεσμα το σπάσιμο του τροχού.
20. Βεβαιωθείτε ότι ο τροχός δεν αकुμυπάτο το τεμάχιο εργασίας πριν ενεργοποιήσετε το διακόπτη λειτουργίας.
21. Πριν χρησιμοποιήσετε το εργαλείο σε ένα πραγματικό τεμάχιο εργασίας, να το αφήνετε να λειτουργεί για λίγη ώρα. Να προσέχετε για κραδασμούς ή κινήσεις που θα μπορούσαν να υποδειξουν κακή τοποθέτηση ή κακή ισορροπηση του τροχού.
22. Να χρησιμοποιείτε την καθορισμένη επιφάνεια του τροχού για την εκτέλεση του τροχίσματος.
23. Μην αφήνετε το εργαλείο σε λειτουργία. Το εργαλείο πρέπει να βρίσκεται σε λειτουργία μόνο όταν το κρατάτε.
24. Μην αγγίζετε το τεμάχιο εργασίας αμέσως μετά τη λειτουργία του εργαλείου. Μπορεί να είναι εξαιρετικά θερμό και να προκληθεί έγκαυμα στο δέρμα σας.
25. Να τηρείτε τις οδηγίες του κατασκευαστή όσον αφορά τη σωστή τοποθέτηση και χρήση των τροχών. Να χειρίζεστε και να αποθηκεύετε τους τροχούς με φροντίδα.
26. Μη χρησιμοποιείτε ξεχωριστές ροδέλες ή προσαρμογείς για να προσαρμόσετε λειαντικούς τροχούς με μεγάλη οπή.
27. Να χρησιμοποιείτε μόνο φλάντζες κατάλληλες για αυτό το εργαλείο.
28. Για εργαλεία στα οποία πρόκειται να τοποθετήσετε τροχό με οπή με σπείρωμα, να βεβαιώνετε ότι το σπείρωμα στον τροχό είναι αρκετά μακρύ για να δεχτεί το μήκος της άτρακτου.
29. Ελέγξτε ότι το τεμάχιο εργασίας υποστηρίζεται σωστά.
30. Να προσέχετε όταν ο τροχός συνεχίζει να περιστρέφεται ακόμη και αφού απενεργοποιήσετε το εργαλείο.
31. Εάν το περιβάλλον εργασίας είναι πολύ ζεστό και υγρό ή εάν υπάρχουν υπερβολική αγωγιμη σκόνη, να χρησιμοποιείτε ασφάλεια βραχυκυκλώματος (30 mA) για να εξασφαλίσετε την ασφάλεια του χειριστή.
32. Μη χρησιμοποιείτε το εργαλείο σε κανένα υλικό που περιέχει αμιάντο.
33. Όταν χρησιμοποιείτε τροχό κοπής, να εργάζεστε πάντοτε με το προστατευτικό συλλογής σκόνης του τροχού όπως απαιτείται από τους τοπικούς κανονισμούς.
34. Οι δίσκοι κοπής δεν πρέπει να υψίστανται καμία πλευρική πίεση.

ΦΥΛΑΞΤΕ ΑΥΤΕΣ ΤΙΣ ΟΔΗΓΙΕΣ.



ΠΡΟΕΙΔΟΠΟΙΗΣΗ:

ΜΗΝ επιτρέψετε στη βολικότητα ή στην εξοικειώσή σας με το προϊόν (που αποκτήθηκε από

επανεπιλημμένη χρήση) να αντικαταστήσει την αυστηρή προώθηση στους κανόνες ασφάλειας του εν λόγω προϊόντος. Η ΛΑΝΘΑΣΜΕΝΗ ΧΡΗΣΗ ή η μη τήρηση των κανόνων ασφαλείας που διατυπώνονται στο παρόν εγχειρίδιο οδηγίων μπορεί να προκαλέσει σοβαρό τραυματισμό.

ΠΕΡΙΓΡΑΦΗ ΛΕΙΤΟΥΡΓΙΑΣ

⚠️ ΠΡΟΣΟΧΗ:

- Να βεβαιώνετε πάντοτε ότι το εργαλείο είναι σβηστό και αποσυνδεδεμένο από το ηλεκτρικό ρεύμα πριν ρυθμίσετε ή ελέγξετε κάποια λειτουργία του.

Κλειδωμά άξονα

⚠️ ΠΡΟΣΟΧΗ:

- Μην ενεργοποιείτε το κλειδωμά του άξονα όταν κινείται ο άξονας. Μπορεί να προκληθεί βλάβη στο εργαλείο. (Εικ. 1)

Να πιέζετε το κλειδωμά του άξονα για να αποφεύγετε την περιστροφή του άξονα κατά την τοποθέτηση ή την αφαίρεση εξαρτημάτων.

Δράση διακόπτη

⚠️ ΠΡΟΣΟΧΗ:

- Πριν συνδέετε το εργαλείο στην πρίζα, πάντοτε να ελέγχετε ότι η σκανδάλη-διακόπτης ενεργοποιείται κανονικά και επιστρέφει στη θέση «OFF» όταν την αφήνετε.
- Ο διακόπτης μπορεί να κλειδώσει στην ενεργή θέση «ON» για διευκόλυνση του χειριστή κατά την παρατεταμένη χρήση. Δώστε προσοχή όταν το εργαλείο βρίσκεται κλειδωμένο στην ενεργή θέση «ON» και κρατάτε το γερά. (Εικ. 2)

Για εργαλείο με διακόπτη κλειδώματος

Για να ξεκινήσετε το εργαλείο, απλώς πιέστε τη σκανδάλη-διακόπτη (προς την κατεύθυνση Β). Για να σταματήσετε το εργαλείο, αφήστε τη σκανδάλη-διακόπτη. Για συνεχόμενη λειτουργία, πιέστε τη σκανδάλη-διακόπτη (προς την κατεύθυνση Β) και κατόπιν πιέστε προς τα μέσα το μοχλό κλειδώματος (προς την κατεύθυνση Α). Για να βγάλετε το εργαλείο από την κλειδωμένη θέση, τραβήξτε πλήρως τη σκανδάλη-διακόπτη (προς την κατεύθυνση Β) και κατόπιν αφήστε την.

Για εργαλείο με διακόπτη ασφάλισης

Για να μην πιεστεί η σκανδάλη-διακόπτης κατά λάθος, παρέχεται ένας μοχλός ασφάλισης. Για να θέσετε το εργαλείο σε λειτουργία, πιέστε προς τα μέσα το μοχλό κλειδώματος (προς την κατεύθυνση Α) και κατόπιν πιέστε τη σκανδάλη-διακόπτη (προς την κατεύθυνση Β). Για να σταματήσετε το εργαλείο, αφήστε τη σκανδάλη-διακόπτη.

Για εργαλείο με διακόπτη ασφάλισης και κλειδώματος

Για να μην πιεστεί η σκανδάλη-διακόπτης κατά λάθος, παρέχεται ένας μοχλός ασφάλισης. Για να θέσετε το εργαλείο σε λειτουργία, πιέστε προς τα μέσα το μοχλό κλειδώματος (προς την κατεύθυνση Α) και κατόπιν πιέστε τη σκανδάλη-διακόπτη (προς την κατεύθυνση Β). Για να σταματήσετε το εργαλείο, αφήστε τη σκανδάλη-διακόπτη.

Για συνεχόμενη λειτουργία, πιέστε προς τα μέσα το μοχλό κλειδώματος (προς την κατεύθυνση Α), τραβήξτε τη σκανδάλη-διακόπτη (προς την κατεύθυνση Β) και κατόπιν τραβήξτε το μοχλό κλειδώματος (προς την κατεύθυνση C).

Για να βγάλετε το εργαλείο από την κλειδωμένη θέση, τραβήξτε πλήρως τη σκανδάλη-διακόπτη (προς την κατεύθυνση Β) και κατόπιν αφήστε την.

Ενδεικτική λυχνία (Για το μοντέλο GA7050R/ GA9050R) (Εικ. 3)

Όταν συνδέετε το εργαλείο στη πρίζα, ανάβει η πράσινη ενδεικτική λυχνία. Αν δεν ανάβει η ενδεικτική λυχνία, μπορεί να είναι ελαττωματικό το ηλεκτρικό καλώδιο ή ο ελεγκτής. Αν η ενδεικτική λυχνία είναι αναμμένη, αλλά το εργαλείο δεν ξεκινάει, ακόμη και αν πατηθεί ο διακόπτης, μπορεί να έχουν φθαρεί τα καρβουνάκια, ή να είναι ελαττωματικός ο ελεγκτής, το μοτέρ ή ο διακόπτης ON/OFF.

Προστασία ακούσιας επανεκκίνησης

Ο μοχλός ασφάλισης διατηρεί τη σκανδάλη-διακόπτη πατημένη (Ασφαλισμένη θέση) μη επιτρέποντας στο εργαλείο την επανεκκίνηση ακόμη και όταν αυτό μπει στην πρίζα.

Τη στιγμή αυτή, η ενδεικτική λυχνία αναβοσβήνει στο κόκκινο και δείχνει ότι λειτουργεί η συσκευή της προστασίας ενάντια στην ακούσια επανεκκίνηση.

Για την ακύρωση της προστασίας ενάντια στην ακούσια επανεκκίνηση, τραβήξτε τη σκανδάλη-διακόπτη πλήρως, και μετά ελευθερώστε την.

Χαρακτηριστικό ομαλής εκκίνησης

Τα μοντέλα αυτά ξεκινούν να λειτουργούν αργά όταν ενεργοποιηθούν. Χαρακτηριστικό ομαλής εκκίνησης διασφαλίζει την ομαλότερη λειτουργία.

ΣΥΝΑΡΜΟΛΟΓΗΣΗ

⚠️ ΠΡΟΣΟΧΗ:

- Να βεβαιώνετε πάντοτε ότι το εργαλείο είναι σβηστό και αποσυνδεδεμένο από το ηλεκτρικό ρεύμα πριν εκτελέσετε οποιαδήποτε εργασία σε αυτό.

Τοποθέτηση πλευρικής λαβής (Λαβή)

⚠️ ΠΡΟΣΟΧΗ:

- Πριν από τη λειτουργία, να βεβαιώνετε πάντοτε ότι είναι τοποθετημένη με ασφάλεια η πλαϊνή λαβή. (Εικ. 4)

Να βιδώνετε με ασφάλεια την πλαϊνή λαβή στη θέση του εργαλείου όπως απεικονίζεται στην εικόνα.

Τοποθέτηση ή αφαίρεση του προστατευτικού του τροχού (Για τροχό χαμηλωμένου κέντρου, πολυδίσκο, συρματόβουρτσα τροχού/λειαντικό τροχό κοπής, διαμαντένιο τροχό)

⚠️ ΠΡΟΕΙΔΟΠΟΙΗΣΗ:

- Όταν χρησιμοποιείτε τροχό τροχίσματος χαμηλωμένου κέντρου/πολυδίσκο, τροχό πολλαπλών χρήσεων ή συρματόβουρτσα τροχού, το προστατευτικό τροχού πρέπει να είναι προσαρμοσμένο στο εργαλείο με τρόπο ώστε η κλειστή πλευρά του προστατευτικού να είναι πάντοτε στραμμένη προς τη μεριά του χειριστή.

- Όταν χρησιμοποιείτε το λειαντικό τροχό κοπής/ διαμαντένιο τροχό, βεβαιωθείτε να χρησιμοποιείτε μόνο το ειδικό προστατευτικό τροχού που έχει σχεδιαστεί για χρήση με τροχούς κοπής. (Στις Ευρωπαϊκές χώρες, κατά τη χρήση ενός διαμαντένιου τροχού, ο συνηθισμένος προφυλακτικός μπορεί να χρησιμοποιηθεί.)

Για εργαλείο με προστατευτικό του τροχού που ασφαλίζει με βίδα (Εικ. 5)

Τοποθετήστε το προστατευτικό του τροχού με τρόπο ώστε η προεξοχή στη ζώνη του προστατευτικού του τροχού να είναι ευθυγραμμισμένη με την εγκοπή στο κιβώτιο ρουλεμάν. Κατόπιν περιστρέψτε το προστατευτικό του τροχού κατά 180 μοίρες αριστερόστροφα. Βεβαιωθείτε να σφίξετε καλά τις βίδες. Για να βγάλετε το προστατευτικό του τροχού, ακολουθήστε τη διαδικασία τοποθέτησης με αντίστροφη σειρά.

Για εργαλείο με προστατευτικό του τροχού που ασφαλίζει με μοχλό (Εικ. 6 και 7)

Χαλαρώστε το μοχλό στο προστατευτικό του τροχού. Τοποθετήστε το προστατευτικό του τροχού με τρόπο ώστε η προεξοχή στη ζώνη του προστατευτικού του τροχού να είναι ευθυγραμμισμένη με την εγκοπή στο κιβώτιο ρουλεμάν. Στη συνέχεια περιστρέψτε το προστατευτικό του τροχού στη θέση που δείχνεται στην εικόνα. Σφίξτε το μοχλό για να στερεώσετε το προστατευτικό του τροχού. Εάν ο μοχλός είναι πολύ σφικτός ή πολύ χαλαρός για να στερεώσετε το προστατευτικό του τροχού, ξεσφίξτε ή σφίξτε το παξιμάδι για να ρυθμίσετε το σφίξιμο της ζώνης του προστατευτικού του τροχού.

Για να βγάλετε το προστατευτικό του τροχού, ακολουθήστε τη διαδικασία τοποθέτησης με αντίστροφη σειρά.

Τοποθέτηση ή αφαίρεση τροχού τροχίσματος χαμηλωμένου κέντρου/ πολυδίσκου (προαιρετικό εξάρτημα)

⚠ ΠΡΟΕΙΔΟΠΟΙΗΣΗ:

- Να χρησιμοποιείτε πάντα το προστατευτικό που παρέχεται όταν υπάρχει τροχός τροχίσματος χαμηλωμένου κέντρου/πολυδίσκος στο εργαλείο. Ο τροχός μπορεί να θρυμματιστεί κατά τη χρήση και το προστατευτικό βοηθάει ώστε να μειωθούν οι πιθανότητες για προσωπικό τραυματισμό. **(Εικ. 8)**
- Στερεώστε την εσωτερική φλάντζα στην άτρακτο. Προσαρμόστε τον τροχό/δίσκο στην εσωτερική φλάντζα και βιδώστε το παξιμάδι κλειδώματος στην άτρακτο.

⚠ ΠΡΟΕΙΔΟΠΟΙΗΣΗ:

- Ποτέ να μην χρησιμοποιήσετε ένα τροχό τροχίσματος παχύτερο από 6,5 mm.

Μεγάλη φλάντζα

Στα μοντέλα με το γράμμα F η μεγάλη φλάντζα αποτελεί βασικό εξάρτημα. Απαιτείται μόνο το 1/3 της προσπάθειας για την αφαίρεση του παξιμαδιού κλειδώματος σε σύγκριση με το συμβατικό τύπο.

ΣΗΜΕΙΩΣΗ:

- Μόνο για εργαλεία με σπείρωμα άξονα M14

Για την Αυστραλία και τη Νέα Ζηλανδία (Εικ. 9)

Στερεώστε την εσωτερική φλάντζα στην άτρακτο. Προσαρμόστε τον τροχό/δίσκο στην εσωτερική φλάντζα και βιδώστε το παξιμάδι κλειδώματος με την προεξοχή του να είναι στραμμένη προς τα κάτω (στραμμένη προς τον τροχό).

Για να σφίξετε το παξιμάδι κλειδώματος, πιέστε καλά το κλειδί με τον άξονα ώστε να μην μπορεί να περιστρέφεται ο άξονας. Κατόπιν, χρησιμοποιήστε το κλειδί κλειδώματος παξιμαδιού και σφίξτε καλά δεξιόστροφα. **(Εικ. 10)**

Για να αφαιρέσετε τον τροχό, ακολουθήστε τη διαδικασία τοποθέτησης με αντίστροφη σειρά.

Τοποθέτηση ή αφαίρεση του λειαντικού τροχού (προαιρετικό εξάρτημα)

ΣΗΜΕΙΩΣΗ:

- Να χρησιμοποιείτε μόνο τα αξεσουάρ του λειαντή που καθορίζονται στο εγχειρίδιο αυτό. Αυτά θα πρέπει να αγοράσουν ξεχωριστά. **(Εικ. 11)**

Στερεώστε το λαστιχένιο επίθεμα στον άξονα.

Προσαρμόστε δίσκο πάνω στο λαστιχένιο επίθεμα και βιδώστε το παξιμάδι κλειδώματος στον άξονα. Για να σφίξετε το παξιμάδι κλειδώματος, πιέστε καλά το κλειδί με τον άξονα ώστε να μην μπορεί να περιστρέφεται ο άξονας. Κατόπιν, χρησιμοποιήστε το κλειδί κλειδώματος παξιμαδιού και σφίξτε καλά δεξιόστροφα.

Για να αφαιρέσετε το δίσκο, ακολουθήστε τη διαδικασία τοποθέτησης με αντίστροφη σειρά.

Τοποθέτηση ή αφαίρεση του Ezygnut (προαιρετικό εξάρτημα)

⚠ ΠΡΟΣΟΧΗ:

- Μην χρησιμοποιήσετε το Ezygnut με τη Μεγάλη Φλάντζα ή με το γωνιακό τροχό με την ένδειξη "F" στο τέλος του Αρ. μοντέλου. Οι φλάντζες αυτές είναι τόσο παχιές που όλο το σπείρωμα δεν μπορεί να κρατηθεί από τον άξονα. **(Εικ. 12)**

Στερεώστε την εσωτερική φλάντζα, τον λειαντικό τροχό/ Πολυδίσκο και το Ezygnut πάνω στον άξονα έτσι ώστε ο Λογότυπος της Makita που βρίσκεται πάνω στο Ezygnut να βλέπει προς τα έξω. **(Εικ. 13)**

Πιέστε καλά την ασφάλεια του άξονα και σφίξτε το Ezygnut περιστρέφοντας τον λειαντικό τροχό/Πολυδίσκο δεξιόστροφα όσο περισσότερο μπορεί να περιστραφεί. Για το ξέσφιγμα περιστρέψτε τον εξωτερικό δακτύλιο του Ezygnut αριστερόστροφα. **(Εικ. 14 και 15)**

ΣΗΜΕΙΩΣΗ:

- Το Ezygnut μπορεί να ξεσφίξει με το χέρι όσο το βέλος δείχνει την εγκοπή. Διαφορετικά απαιτείται ένα κλειδί για παξιμάδια ασφαλείας για να ξεσφίξει. Εισάγετε την ακίδα του κλειδιού μέσα στην τρύπα και περιστρέψτε αριστερόστροφα το Ezygnut.
- Μόνο για εργαλεία με σπείρωμα άξονα M14

ΛΕΙΤΟΥΡΓΙΑ

⚠ ΠΡΟΕΙΔΟΠΟΙΗΣΗ:

- Δεν θα πρέπει ποτέ να ασκείτε δύναμη στο εργαλείο. Το βάρος του εργαλείου εφαρμόζει αρκετή πίεση. Ο

εξαναγκασμός και η υπερβολική πίεση μπορεί να προκαλέσουν το σπάσιμο του τροχού.

- **PANTOTE** να αντικαθιστάτε τον τροχό αν το εργαλείο πέσει κάτω κατά το τρόχισμα.
- **ΠΟΤΕ** μη χτυπάτε το δίσκο ή τον τροχό τροχίσματος επάνω στο αντικείμενο εργασίας.
- Να αποφεύγετε την αναπήδηση και το σκάλωμα του τροχού, ιδιαίτερα όταν εργάζεστε σε γωνίες, αιχμηρές άκρες, κτλ. Μπορεί να προκληθεί απώλεια του ελέγχου και κλώτσημα.
- **ΠΟΤΕ** μη χρησιμοποιείτε το εργαλείο με λάμες κοπής ξύλου και λάμες άλλου είδους. Όταν χρησιμοποιούνται τέτοιες λάμες στον τροχό, προκαλείται συχνά κλώτσημα και απώλεια του ελέγχου προκαλώντας το προσωπικό τραυματισμό.

⚠ ΠΡΟΣΟΧΗ:

- Ποτέ μη θέτετε το εργαλείο σε λειτουργία όταν βρίσκεται σε επαφή με το τεμάχιο εργασίας. Μπορεί να προκληθεί τραυματισμός του χειριστή.
- Κατά τη διάρκεια της λειτουργίας, οι φοράτε πάντοτε προστατευτικά γυαλιά ή προσωπίδα.
- Μετά τη λειτουργία, να σβήνετε πάντοτε το εργαλείο και να περιμένετε έως ότου ακινητοποιηθεί ο τροχός πριν αφήσετε το εργαλείο κάτω.

Λειτουργία τροχίσματος και λείανσης (Εικ. 16)

Να κρατάτε **PANTOTE** το εργαλείο σταθερά με το ένα χέρι στην πίσω λαβή και με το άλλο χέρι στην πλαϊνή λαβή. Θέστε το εργαλείο σε λειτουργία και κατόπιν τοποθετήστε τον τροχό ή το δίσκο επάνω στο τεμάχιο εργασίας.

Σε γενικές γραμμές, να κρατάτε την άκρη του τροχού ή του δίσκου σε γωνία περίπου 15 μοιρών ως προς την επιφάνεια του τεμαχίου εργασίας.

Κατά τη διάρκεια της περιόδου στρωσίματος ενός καινούργιου τροχού, μη χειρίζεστε τον τροχό προς την κατεύθυνση Β επειδή θα κόψει το τεμάχιο εργασίας. Μόλις στογγυλοποιηθεί η άκρη του τροχού λόγω χρήσης, μπορείτε να χρησιμοποιήσετε τον τροχό και προς τις δύο κατευθύνσεις Α και Β.

Λειτουργία με κυπελλοειδή συρματόβουρτσα (προαιρετικό εξάρτημα)

⚠ ΠΡΟΣΟΧΗ:

- Ελέγξτε τη λειτουργία της βούρτσας λειτουργώντας το εργαλείο χωρίς φορτίο, διασφαλίζοντας ότι δεν βρίσκεται κανείς μπροστά ή στην ίδια γραμμή με την βούρτσα.
- Μην χρησιμοποιήσετε κάποια βούρτσα η οποία έχει υποστεί ζημιά ή δεν είναι ισορροπημένη. Η χρήση μιας βούρτσας που έχει υποστεί ζημιά μπορεί να αυξήσει την πιθανότητα τραυματισμού λόγω της επαφής με τα σπασμένα σύρματα της βούρτσας. **(Εικ. 17)**

Βγάλτε το εργαλείο από την πρίζα και τοποθετήστε το ανάποδα ώστε να έχετε εύκολη πρόσβαση στον άξονα. Αφαιρέστε τα οποιαδήποτε αξεσουάρ από τον άξονα. Στερεώστε την κυπελλοειδή συρματόβουρτσα πάνω στον άξονα και σφίξτε την με το παρεχόμενο κλειδί. Κατά την χρήση της βούρτσας αποφεύγετε να ασκείται μεγάλη πίεση η οποία προκαλεί την κάμψη των συρμάτων οδηγώντας στην πρόωρη θραύση.

Λειτουργία με συρματόβουρτσα τροχού (προαιρετικό εξάρτημα)

⚠ ΠΡΟΣΟΧΗ:

- Ελέγξτε τη λειτουργία της συρματόβουρτσας τροχού λειτουργώντας το εργαλείο χωρίς φορτίο, διασφαλίζοντας ότι δεν βρίσκεται κανείς μπροστά ή στην ίδια γραμμή με την συρματόβουρτσα τροχού.
- Μην χρησιμοποιήσετε κάποια συρματόβουρτσα τροχού η οποία έχει υποστεί ζημιά ή δεν είναι ισορροπημένη. Η χρήση μιας συρματόβουρτσας τροχού που έχει υποστεί ζημιά μπορεί να αυξήσει την πιθανότητα τραυματισμού λόγω της επαφής με τα σπασμένα σύρματα.
- **PANTOTE** να χρησιμοποιείτε ένα προστατευτικό μαζί με την συρματόβουρτσα τροχού, διασφαλίζοντας ότι η διάμετρος του τροχού ταιριάζει με το εσωτερικό του προστατευτικού. Ο τροχός μπορεί να θρυμματιστεί κατά τη χρήση και το προστατευτικό βοηθάει ώστε να μειωθούν οι πιθανότητες για προσωπικό τραυματισμό. **(Εικ. 18)**

Βγάλτε το εργαλείο από την πρίζα και τοποθετήστε το ανάποδα ώστε να έχετε εύκολη πρόσβαση στον άξονα. Αφαιρέστε τα οποιαδήποτε αξεσουάρ από τον άξονα. Περάστε την συρματόβουρτσα τροχού πάνω στον άξονα και σφίξτε την με τα κλειδιά.

Κατά την χρήση της συρματόβουρτσας τροχού αποφεύγετε να ασκείται μεγάλη πίεση η οποία προκαλεί την κάμψη των συρμάτων οδηγώντας στην πρόωρη θραύση.

Λειτουργία με τον λειαντικό τροχό κοπής/ διαμαντένιο τροχό (προαιρετικό εξάρτημα)

⚠ ΠΡΟΕΙΔΟΠΟΙΗΣΗ:

- Όταν χρησιμοποιείτε το λειαντικό τροχό κοπής/ διαμαντένιο τροχό, βεβαιωθείτε να χρησιμοποιείτε μόνο το ειδικό προστατευτικό τροχού που έχει σχεδιαστεί για χρήση με τροχούς κοπής. (Στις Ευρωπαϊκές χώρες, κατά τη χρήση ενός διαμαντένιου τροχού, ο συνηθισμένος προφυλακτικός μπορεί να χρησιμοποιηθεί.)
- Μη χρησιμοποιείτε **ΠΟΤΕ** τον τροχό κοπής για πλευρικό τρόχισμα.
- Μη «φρακάρετε» τον τροχό και μην ασκείτε υπερβολική πίεση. Μην επιχειρήσετε να κάνετε υπερβολικά βαθιά κοπή. Αν ασκείται υπερβολική πίεση στον τροχό αυξάνεται το φορτίο και η ευπάθεια στις δυνάμεις στρέψης και δέσμευσης του τροχού στο κόψιμο, ενώ αυξάνεται και η πιθανότητα κλωτσήματος ή σπασίματος του τροχού και υπερθέρμανσης του μοτέρ.
- Μην ξεκινήσετε ξανά την εργασία κοπής στο τεμάχιο εργασίας. Αφήστε τον τροχό να αποκτήσει την πλήρη ταχύτητά του και εισάγετέ τον προσεκτικά στην κοπή, μετακινώντας το εργαλείο προς τα εμπρός επάνω στην επιφάνεια του τεμαχίου εργασίας. Αν θέσετε το ηλεκτρικό εργαλείο σε λειτουργία μέσα στο τεμάχιο εργασίας, μπορεί να εμποδίσει την κίνηση του τροχού ή μπορεί ο τροχός να αναπηδήσει ή να κλωτσήσει.
- Μην αλλάζετε ποτέ τη γωνία του τροχού κατά τη διάρκεια των εργασιών κοπής. Αν ασκείτε πλευρική πίεση στον τροχό κοπής (όπως και στο τρόχισμα), ο

τροχός θα ραγίσει και θα σπάσει, προκαλώντας το σοβαρό προσωπικό τραυματισμό.

- Πρέπει να χειρίζεστε το διαμαντένιο τροχό κατακόρυφα ως προς το υλικό που πρόκειται να κοπεί.

Στερεώστε την εσωτερική φλάντζα στον άξονα. Προσαρμόστε τον τροχό/δίσκο στην εσωτερική φλάντζα και βιδώστε το παξιμάδι κλειδώματος στον άξονα.

(Εικ. 19)

Κατά την τοποθέτηση ενός διαμαντένιου τροχού ή ενός λειαντικού τροχού κοπής με πάχος τροχού 7mm ή περισσότερο, στερεώστε το παξιμάδι κλειδώματος με το καθοδηγητικό κυκλικό του μέρος (προεξοχή) για την τρύπα του τροχού να βλέπει τον τροχό.

Για την Αυστραλία και τη Νέα Ζηλανδία

Τοποθέτηση ή αφαίρεση του λειαντικού τροχού κοπής/διαμαντένιου τροχού (προαιρετικό εξάρτημα) (Εικ. 20)

ΣΥΝΤΗΡΗΣΗ

⚠ ΠΡΟΣΟΧΗ:

- Να βεβαιώνετε πάντοτε ότι το εργαλείο είναι σβηστό και αποσυνδεδεμένο από το ηλεκτρικό ρεύμα πριν εκτελέσετε οποιαδήποτε εργασία ελέγχου ή συντήρησης σε αυτό.
- Μην χρησιμοποιήσετε βενζίνη, βενζόλη, διαλυτικό, αλκοόλη ή κάτι παρόμοιο. Μπορεί να προκληθεί αποχρωματισμός, παραμόρφωση ή ρωγμές.

Το εργαλείο και τα ανοίγματα εξαερισμού του πρέπει να διατηρούνται καθαρά. Να καθαρίζετε τακτικά τα ανοίγματα εξαερισμού του εργαλείου ή όταν αυτά αρχίσουν να φράσσονται. **(Εικ. 21)**

Αλλαγή καρβουνακίων (Εικ. 22)

Όταν η μονωτική μύτη ρητίνης που βρίσκεται μέσα στο καρβουνάκι έρθει σε επαφή με το μετατροπέα, θα σβήσει αυτόματα το μοτέρ. Όταν συμβεί αυτό, θα πρέπει να αλλάξετε και τα δύο καρβουνάκια. Να διατηρείτε τα καρβουνάκια καθαρά και ελεύθερα για να γλιστρούν στις υποδοχές. Πρέπει να αλλάζετε ταυτόχρονα και τα δύο καρβουνάκια. Να χρησιμοποιείτε μόνο καρβουνάκια ίδιου τύπου.

Με τη βοήθεια ενός κατασβιδιού, βγάλτε τα καπάκια υποδοχής για τα καρβουνάκια. Βγάλτε τα φθαρμένα καρβουνάκια, τοποθετήστε τα καινούργια και ασφαλίστε τα καπάκια υποδοχής για τα καρβουνάκια. **(Εικ. 23)**
Για να διατηρείται η ΑΣΦΑΛΕΙΑ και η ΑΞΙΟΠΙΣΤΙΑ του προϊόντος, οι εργασίες επισκευής, καθώς και οποιαδήποτε άλλη εργασία συντήρησης ή ρύθμισης, θα πρέπει να εκτελούνται σε εξουσιοδοτημένα κέντρα εξυπηρέτησης της Makita, και πάντοτε με τη χρήση ανταλλακτικών της Makita.

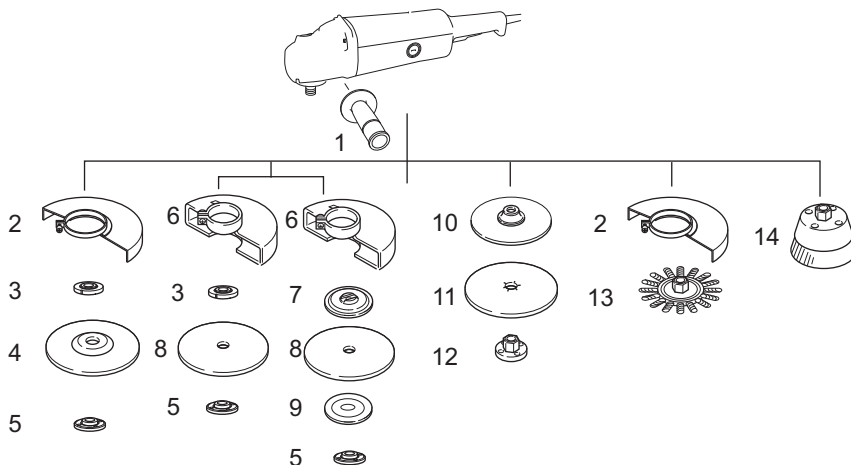
ΠΡΟΑΙΡΕΤΙΚΑ ΑΞΕΣΟΥΑΡ

⚠ ΠΡΟΣΟΧΗ:

- Συνιστάται η χρήση αυτών των αξεσουάρ ή εξαρτημάτων με το εργαλείο της Makita, όπως περιγράφεται στο παρόν εγχειρίδιο. Αν χρησιμοποιήσετε άλλα αξεσουάρ ή εξαρτήματα μπορεί να παρουσιαστεί κίνδυνος για πρόκληση τραυματισμού προσώπων. Να χρησιμοποιείτε τα αξεσουάρ και τα

εξαρτήματα μόνο για το σκοπό για τον οποίο προορίζονται.

Αν χρειάζεστε κάποια βοήθεια ή περισσότερες πληροφορίες σχετικά με τα αξεσουάρ αυτά, απευθυνθείτε στο πλησιέστερο κέντρο εξυπηρέτησης της Makita.



| | |
|----|--|
| 1 | Πλαϊνή λαβή |
| 2 | Προφυλακτικό τροχού για τον Τροχό τροχίσματος χαμηλωμένου κέντρου / Πολυδίσκος / Συρματόβουρτσα τροχού |
| 3 | Εσωτερική φλάντζα / Μεγάλη φλάντζα*1 *2 |
| 4 | Τροχός τροχίσματος χαμηλωμένου κέντρου / Πολυδίσκος |
| 5 | Παξιμάδι κλειδώματος / Ezynut*1 *2 |
| 6 | Προστατευτικό Λειαντικού τροχού κοπής / Διαμαντένιου τροχού*3 |
| 7 | Εσωτερική φλάντζα 78 (Για την Αυστραλία και τη Νέα Ζηλανδία μόνο)*4 |
| 8 | Λειαντικός τροχός κοπής / Διαμαντένιος τροχός |
| 9 | Εξωτερική φλάντζα 78 (Για την Αυστραλία και τη Νέα Ζηλανδία μόνο)*4 |
| 10 | Λαστιχένιο επίθεμα |
| 11 | Λειαντικός δίσκος |
| 12 | Παξιμάδι κλειδώματος λείανσης |
| 13 | Συρματόβουρτσα τροχού |
| 14 | Κυπελλοειδής συρματόβουρτσα |
| - | Κλειδί κλειδώματος παξιμαδιών |
| - | Προσάρτημα καλύμματος σκόνης |

*1 Μόνο για εργαλεία με σπείρωμα άξονα M14

*2 Μη χρησιμοποιείτε μαζί τη Μεγάλη φλάντζα και το Ezynut.

*3 Σε μερικές Ευρωπαϊκές χώρες, κατά τη χρήση ενός διαμαντένιου τροχού, ο συνηθισμένος προφυλακτήρας μπορεί να χρησιμοποιηθεί αντί για τον ειδικό προφυλακτήρα που καλύπτει και τις δυο πλευρές του τροχού. Ακολουθήστε τους κανονισμούς της χώρας σας.

*4 Χρησιμοποιήστε την Εσωτερική φλάντζα 78 και την Εξωτερική φλάντζα 78 μαζί. (Για την Αυστραλία και τη Νέα Ζηλανδία μόνο)

013353

ΣΗΜΕΙΩΣΗ:

- Ορισμένα από τα στοιχεία της λίστα μπορεί να περιέχονται στην συσκευασία του εργαλείου ως κανονικά αξεσουάρ. Αυτά ενδέχεται να διαφέρουν από χώρα σε χώρα.

Θόρυβος

ENG905-1

Το σύνθηες σταθμισμένο επίπεδο θορύβου που έχει καθοριστεί σύμφωνα με την EN60745:

Μοντέλο GA7050, GA7050R, GA9050, GA9050R

Επίπεδο ηχητικής πίεσης (L_{pA}): 94 dB (A)

Επίπεδο ηχητικής ισχύος (L_{WA}): 105 dB (A)

Αβεβαιότητα (K): 3 dB (A)

Να φοράτε ωτοασπίδες.

Κραδασμός

ENG900-1

Η συνολική τιμή δόνησης (διανυσματικό άθροισμα τριών αξόνων) που έχει καθοριστεί σύμφωνα με την EN60745:

Μοντέλο GA7050, GA7050R

Κατάσταση λειτουργίας: τρόχισμα επιφάνειας
Εκπομπή κραδασμού ($a_{h,AG}$): 6,5 m/s²
Αβεβαιότητα (K): 1,5 m/s²

Κατάσταση λειτουργίας: περιστροφική λείανση
Εκπομπή κραδασμού ($a_{h,DS}$): 4,0 m/s²
Αβεβαιότητα (K): 1,5 m/s²

Μοντέλο GA9050, GA9050R

Κατάσταση λειτουργίας: τρόχισμα επιφάνειας
Εκπομπή κραδασμού ($a_{h,AG}$): 5,5 m/s²
Αβεβαιότητα (K): 1,5 m/s²

Κατάσταση λειτουργίας: περιστροφική λείανση
Εκπομπή κραδασμού ($a_{h,DS}$): 2,5 m/s²
Αβεβαιότητα (K): 1,5 m/s²

ENG902-1

- Η δηλωθείσα τιμή των παραγομένων κραδασμών έχει καταμετρηθεί σύμφωνα με την τυποποιημένη μέθοδο δοκιμασίας και μπορεί να χρησιμοποιηθεί για την σύγκριση ενός εργαλείου με ένα άλλο.
- Η δηλωθείσα τιμή των παραγομένων κραδασμών μπορεί επίσης να χρησιμοποιηθεί για μια προκαταρκτική αξιολόγηση της έκθεσης στους κραδασμούς.
- Η δηλωθείσα τιμή των παραγομένων κραδασμών χρησιμοποιείται για τις κύριες χρήσεις του ηλεκτρικού εργαλείου. Ωστόσο, εάν το ηλεκτρικό εργαλείο χρησιμοποιηθεί για άλλες εφαρμογές, η τιμή των παραγομένων κραδασμών μπορεί να είναι διαφορετική.

ΠΡΟΕΙΔΟΠΟΙΗΣΗ:

- Η εκπομπή κραδασμών κατά τη διάρκεια της πραγματικής χρήσης του ηλεκτρικού εργαλείου μπορεί να διαφέρει από τη δηλωθείσα τιμή των εκπομπών, ανάλογα με τον τρόπο με τον οποίο χρησιμοποιείται το εργαλείο.
- Φροντίστε να λάβετε τα μέτρα ασφαλείας που απαιτούνται για την προστασία του χρήστη που βασίζονται σε μια εκτίμηση της έκθεσης σε πραγματικές συνθήκες χρήσης (λαμβάνοντας υπόψη όλα τα μέρη του κύκλου λειτουργίας, όπως είναι οι περιπτώσεις κατά τις οποίες το εργαλείο είναι απενεργοποιημένο και όταν λειτουργεί στο ρελαντί επιπρόσθετος του χρόνου κατά τον οποίο το εργαλείο βρίσκεται σε χρήση).

Για τις ευρωπαϊκές χώρες μόνο

ENH101-17

EK – Δήλωση συμμόρφωσης

Η Makita δηλώνει ότι το παρακάτω μηχάνημα(τα):

Ονομασία μηχανήματος:

Γωνιακός τροχός

Αρ. Μοντέλου/Τύπος: GA7050, GA7050R, GA9050, GA9050R

Συμμορφώνονται με τις ακόλουθες Ευρωπαϊκές Οδηγίες:

2006/42/EK

Κατασκευάζονται σύμφωνα με το παρακάτω πρότυπο ή τυποποιημένα έγγραφα:

EN60745

Το τεχνικό αρχείο σύμφωνα με την 2006/42/EK είναι διαθέσιμο από:

Makita, Jan-Baptist Vinkstraat 2, 3070, Belgium

31. 12. 2013



Yasushi Fukaya

Διευθυντής

Makita, Jan-Baptist Vinkstraat 2, 3070, Belgium

Makita Jan-Baptist Vinkstraat 2, 3070, Belgium
Makita Corporation Anjo, Aichi, Japan

884937E994

www.makita.com

ALA