



POWER
TOOLS

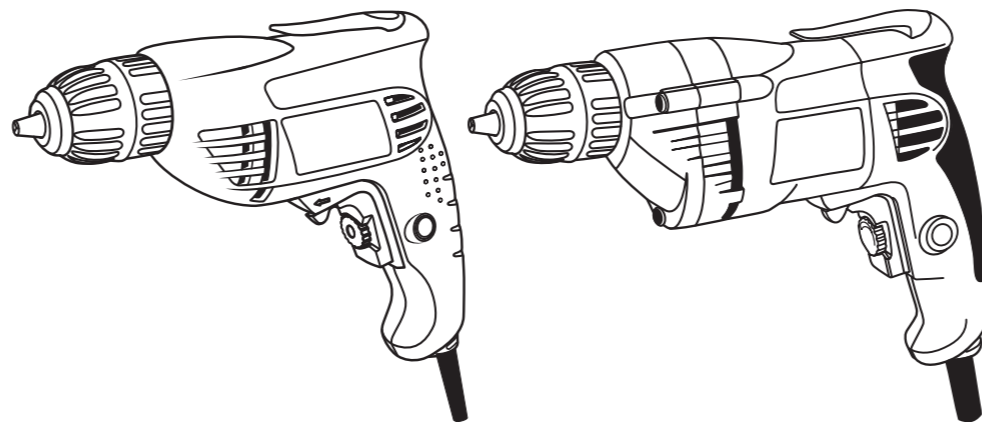
SPARKY

www.sparky.eu



PROFESSIONAL

(EN)	DRILL	1 – 7
	Original instructions	
(DE)	BOHRMASCHINE	8 – 15
	Originalbetriebsanleitung	
(FR)	PERCEUSE	16 – 22
	Notice originale	
(IT)	TRAPANO	23 – 29
	Istruzioni originali	
(ES)	TALADRADORA	30 – 36
	Instrucciones de uso originales	
(PT)	BERBEQUIM	37 – 43
	Instrução original para o uso	
(PL)	WIERTARKA	44 – 50
	Instrukcja oryginalna	
(RU)	ДРЕЛЬ	51 – 58
	Оригинальная инструкция по эксплуатации	
(UK)	ДРИЛЬ	59 – 66
	Оригінальна інструкція з експлуатації	
(BG)	БОРМАШИНА	67 – 74
	Оригинална инструкция за използване	



350W

BR 100E

500W

BR 101E

(EN) DECLARATION OF CONFORMITY

We declare under our sole responsibility that this product fulfils all the relevant provisions of the following directives and the harmonized standards: 2006/42/EC, 2004/108/EC, 2011/65/EC, EN 60745-1, EN 60745-2-1, EN 55014-1, EN 55014-2, EN 61000-3-2, EN 61000-3-3. Technical file is stored at SPARKY ELTOS AG, Kubrat Str. 9, 5500 Lovetch, Bulgaria.

(DE) KONFORMITÄTSERKLÄRUNG

Hiermit versichern wir unsere persönliche Haftung, dass dieses Erzeugnis allen einschlägigen Bestimmungen folgender Richtlinien und entsprechender harmonisierter Standards entspricht: 2006/42/EC, 2004/108/EC, 2011/65/EC, EN 60745-1, EN 60745-2-1, EN 55014-1, EN 55014-2, EN 61000-3-2, EN 61000-3-3. Die technischen Unterlagen werden bei SPARKY ELTOS AG, Kubrat Str.9, 5500 Lovetch, Bulgarien, aufbewahrt.

(FR) DECLARATION DE CONFORMITE

Nous déclarons sous notre responsabilité que ce produit satisfait à l'ensemble des dispositions pertinentes de la présente directives, respectivement aux normes harmonisées: 2006/42/EC, 2004/108/EC, 2011/65/EC, EN 60745-1, EN 60745-2-1, EN 55014-1, EN 55014-2, EN 61000-3-2, EN 61000-3-3. Le dossier technique est conservé par SPARKY ELTOS AD, 9, rue Kubrat, Lovech, Bulgarie.

(IT) DICHIARAZIONE DI CONFORMITÀ

Noi dichiariamo sotto la nostra personale responsabilità, che questo prodotto è in conformità a tutte le disposizioni pertinenti della presente direttive e norme armonizzate: 2006/42/EC, 2004/108/EC, 2011/65/EC, EN 60745-1, EN 60745-2-1, EN 55014-1, EN 55014-2, EN 61000-3-2, EN 61000-3-3. Il fascicolo tecnico viene custodito presso la SPARKY ELTOS, 5500 Lovech, via Kubrat n. 9, Bulgaria

(ES) DECLARACIÓN DE CONFORMIDAD

Declaramos bajo nuestra exclusiva responsabilidad que este producto está conforme con todas las disposiciones aplicables de la presente directrices aplicables y las correspondientes normas armonizadas: 2006/42/EC, 2004/108/EC, 2011/65/EC, EN 60745-1, EN 60745-2-1, EN 55014-1, EN 55014-2, EN 61000-3-2, EN 61000-3-3. El expediente técnico está archivado en SPARKY ELTOS SA, C/ Kubrat, 9, 5500 Lovech, Bulgaria.

(PT) DECLARAÇÃO DE CONFORMIDADE

Declaramos assumindo a nossa responsabilidade pessoal que este produto está conforme com todas as disposições relevantes da presente directrizes aplicáveis e respectivos estandartes harmonizados: 2006/42/EC, 2004/108/EC, 2011/65/EC, EN 60745-1, EN 60745-2-1, EN 55014-1, EN 55014-2, EN 61000-3-2, EN 61000-3-3. O expediente técnico fica guardado na SPARKY ELTOS SA, rua Kubrat, 9, 5500 Lovech, Bulgária

(PL) DEKLARACJA ZGODNOŚCI

Niniejszym deklarujemy naszą osobistą odpowiedzialnością, że ten produkt spełnia wszystkie odpowiednie postanowienia następujących dyrektyw i harmonizowanych standardów: 2006/42/EC, 2004/108/EC, 2011/65/EC, EN 60745-1, EN 60745-2-1, EN 55014-1, EN 55014-2, EN 61000-3-2, EN 61000-3-3. Teczka techniczna przechowywana jest w SPARKY ELTOS AG, Kubrat Str.9, 5500 Lovetch, Bulgaria

(RU) ДЕКЛАРАЦИЯ О СООТВЕТСТВИИ

Мы заявляем со всей ответственностью, что данный продукт полностью соответствует всем соответствующим требованиям действующих директив и гармонизированных стандартов: 2006/42/EC, 2004/108/EC, 2011/65/EC, EN 60745-1, EN 60745-2-1, EN 55014-1, EN 55014-2, EN 61000-3-2, EN 61000-3-3. Техническое досье хранится в СПАРКИ ЕЛТОС АД, ул. Кубрат №9, 5500 Ловеч, Болгария.

(UK) ДЕКЛАРАЦІЯ ПРО ВІДПОВІДНІСТЬ

Ми заявляємо під свою власну відповідальність, що даний продукт відповідає всім діючим вимогам директив і гармонізованих стандартів: 2006/42/EC, 2004/108/EC, 2011/65/EC, EN 60745-1, EN 60745-2-1, EN 55014-1, EN 55014-2, EN 61000-3-2, EN 61000-3-3. Технічне досьє зберігається в СПАРКИ ЕЛТОС АД, ул. Кубрат № 9, 5500 Ловеч, Болгарія.

(BG) ДЕКЛАРАЦИЯ ЗА СЪОТВЕТСТВИЕ

Ние декларираме на своя лична отговорност, че това изделие отговаря на всички приложими изисквания на следните директиви и хармонизирани стандарти: 2006/42/EC, 2004/108/EC, 2011/65/EC, EN 60745-1, EN 60745-2-1, EN 55014-1, EN 55014-2, EN 61000-3-2, EN 61000-3-3. Техническото досье се съхранява в СПАРКИ ЕЛТОС АД, ул. Кубрат №9, 5500 Ловеч, България.

Manufacturer
SPARKY Power Tools GmbH
Leipziger Str. 20
10117 Berlin, GERMANY

Signature of authorized person

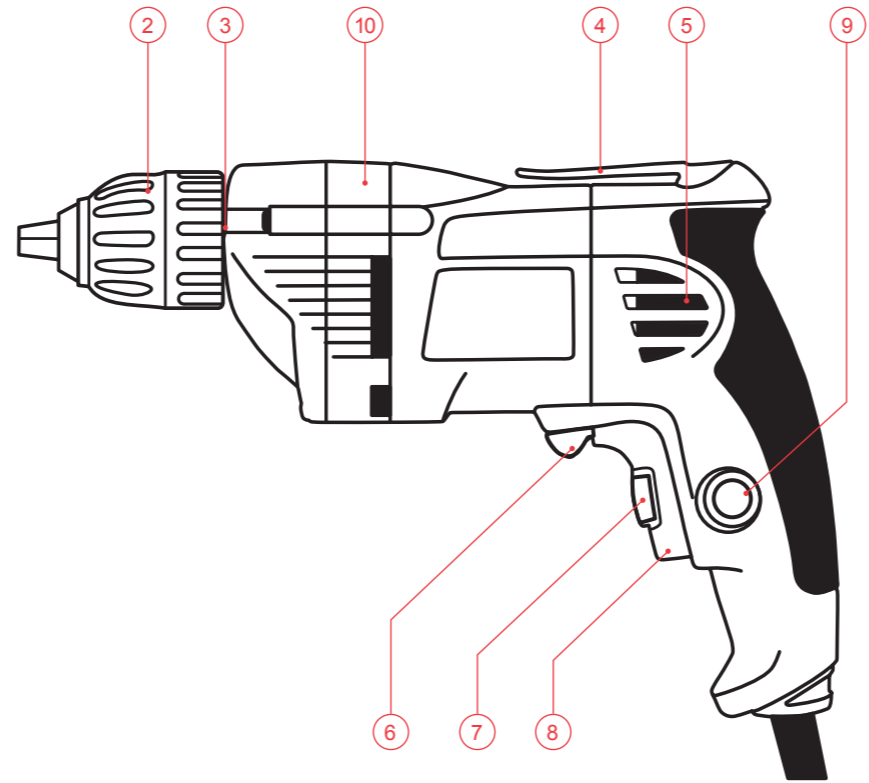
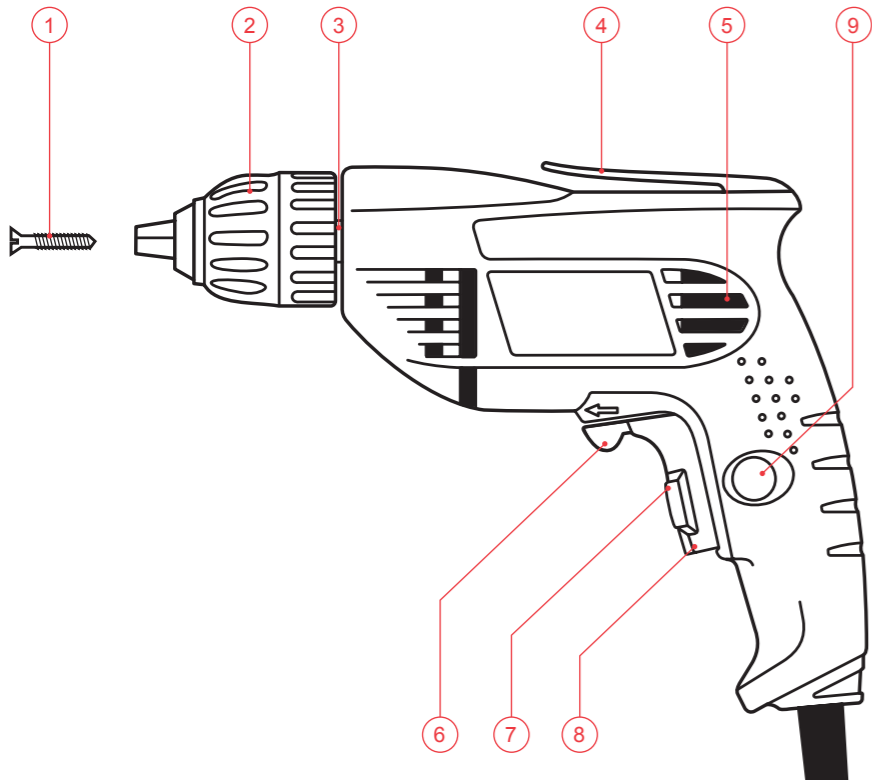
A. Ivanov
Technical director of SPARKY ELTOS AG

23 January 2013

1305R05

© 2009 SPARKY

www.sparky.eu



Contents

Introduction	1
Technical specifications	3
General power tool safety warnings	4
Drill safety warnings	5
Know your product	A/5
Operation	6
Maintenance	7
Warranty	7

UNPACKING

Due to modern mass production techniques, it is unlikely that your power tool is faulty or that a part is missing. If you find anything wrong, do not operate the tool until the parts have been replaced or the fault has been rectified. Failure to do so could result in serious personal injury.

ASSEMBLY

This SPARKY drill is packed fully assembled.

Introduction

Your new SPARKY power tool will more than satisfy your expectations. It has been manufactured under stringent SPARKY Quality Standards to meet superior performance criteria. You will find your new tool easy and safe to operate, and, with proper care, it will give you many years of dependable service.



WARNING:

Carefully read through these original instructions before using your new SPARKY power tool. Take special care to heed the **Warnings**. Your SPARKY power tool has many features that will make your job faster and easier. Safety, performance, and dependability have been given top priority in the development of this tool, making it easy to maintain and operate.



Do not dispose of electrical products together with household waste!

Waste electrical products should not be disposed of with household waste. Please recycle where facilities exist. Check with your local authority or retailer for recycling advice.



ENVIRONMENTAL PROTECTION

The machine, accessories and packaging should be sorted for environmental-friendly recycling. The plastic components are labelled for categorised recycling.

DESCRIPTION OF SYMBOLS

The rating plate on your tool may show symbols. These represent important information about the product or instructions on its use.



Double insulated for additional protection



Electronic speed pre-selection



Forward / Reverse Action



Conforms to the relevant European Directives



Conforms to the requirements of Russian standards



Conforms to the requirements of Ukrainian standards



Refer to original instructions

YYYY-Www

Production period, where the variable symbols are:
YYYY - year of manufacture, ww - calendar week number

BR

DRILL

Technical specifications

Model:	BR 100E	BR 101E
• Power input:	350 W	500 W
• No load speed:	0–3000 min ⁻¹	0–3000 min ⁻¹
• Electronic speed pre-selection:	Yes	Yes
• Reversing:	Yes	Yes
• Chuck capacity:	0.8–10 mm	0.8–10 mm
• Drilling capacity in steel / wood:	10 / 20 mm	10 / 20 mm
• Weight (EPTA Procedure 01/2003):	1.2 kg	1.5 kg
• Safety class (EN 60745) 	II	II

Noise and vibration information

• Noise emission (measured values determined according to EN 60745):		
A-weighted sound pressure level L _{pA}	82 dB(A)	83 dB(A)
Uncertainty K _{pA}	3 dB	3 dB
A-weighted sound power level L _{WA}	93 dB(A)	94 dB(A)
Uncertainty K _{WA}	3 dB	3 dB



Wear hearing protection!

• Vibration emission (determined according to 6.2.7 EN 60745-1):		
<i>Total vibration values (vector sum in the three axes) determined according to EN 60745</i>		
• Drilling in steel:		
Vibration emission value a _{nD}	<2.5 m/s ²	<2.5 m/s ²
Uncertainty K _D	1.5 m/s ²	1.5 m/s ²

The vibration emission level given in this information sheet has been measured in accordance with a standardised test given in EN 60745 and may be used to compare one tool with another. It may be used for a preliminary assessment of exposure.

The declared vibration emission level represents the main applications of the tool. However if the tool is used for different applications, with different accessories or poorly maintained, the vibration emission may differ. This may significantly increase the exposure level over the total working period.

An estimation of the level of exposure to vibration should also take into account the times when the tool is switched off or when it is running but not actually doing the job. This may significantly reduce the exposure level over the total working period.

Maintain the power tool and the accessories and keep your hands warm during operation to reduce the harmful effect of vibrations.

Dust from material such as paint containing lead, some wood species, minerals and metal may be harmful. Contact with or inhalation of the dust may cause allergic reactions and/or respiratory diseases to the operator or bystanders.

Certain kinds of dust are classified as carcinogenic such as oak and beech dust especially in conjunction with additives for wood conditioning (chromate, wood preservative). Material containing asbestos must only be treated by specialists.

- Where the use of a dust extraction device is possible it shall be used.
- To achieve a high level of dust collection, use vacuum cleaner for wood or for wood and/or minerals together with this tool.
- The work place must be well ventilated.
- The use of a dust mask of filter class P2 is recommended.

Follow national requirements for the materials you want to work with.

General power tool safety warnings



WARNING! Read all safety warnings and all instructions. Failure to follow the warnings and instructions may result in electric shock, fire and/or serious injury.

Save all warnings and instructions for future reference.

The term "power tool" in the warnings refers to your mains-operated (corded) power tool or battery-operated (cordless) power tool.

1. WORK AREA SAFETY

- a) Keep work area clean and well lit. Cluttered or dark areas invite accidents.
- b) Do not operate power tools in explosive atmospheres, such as in the presence of flammable liquids, gases or dust. Power tools create sparks which may ignite the dust or fumes.
- c) Keep children and bystanders away while operating a power tool. Distractions can cause you to lose control.

2. ELECTRICAL SAFETY

- a) Power tool plugs must match the outlet. Never modify the plug in any way. Do not use any adapter plugs with earthed (grounded) power tools. Unmodified plugs and matching outlets will reduce risk of electric shock.
- b) Avoid body contact with earthed or grounded surfaces, such as pipes, radiators, ranges and refrigerators. There is an increased risk of electric shock if your body is earthed or grounded.
- c) Do not expose power tools to rain or wet conditions. Water entering a power tool will increase the risk of electric shock.
- d) Do not abuse the cord. Never use the cord for carrying, pulling or unplugging the power tool. Keep cord away from heat, oil, sharp edges or moving parts. Damaged or entangled cords increase the risk of electric shock.
- e) When operating a power tool outdoors, use an extension cord suitable for outdoor use. Use of a cord suitable for outdoor use reduces the risk of electric shock.
- f) If operating a power tool in a damp location is unavoidable, use a residual current device (RCD) protected supply. Use of an RCD reduces the risk of electric shock.

3. PERSONAL SAFETY

- a) Stay alert, watch what you are doing and use common sense when operating a power tool. Do not use a power tool while you are tired or under the influence of drugs, alcohol or medication. A moment of inattention while operating power tools may result in serious personal injury.

- b) Use personal protective equipment. Always wear eye protection. Protective equipment such as dust mask, non-skid safety shoes, hard hat, or hearing protection used for appropriate conditions will reduce personal injuries.
- c) Prevent unintentional starting. Ensure the switch is in the off-position before connecting to power source and/or battery pack, picking up or carrying the tool. Carrying power tools with your finger on the switch or energising power tools that have the switch on invites accidents.
- d) Remove any adjusting key or wrench before turning the power tool on. A wrench or a key left attached to a rotating part of the power tool may result in personal injury.
- e) Do not overreach. Keep proper footing and balance at all times. This enables better control of the power tool in unexpected situations.
- f) Dress properly. Do not wear loose clothing or jewellery. Keep your hair, clothing and gloves away from moving parts. Loose clothes, jewellery or long hair can be caught in moving parts.
- g) If devices are provided for the connection of dust extraction and collection facilities, ensure these are connected and properly used. Use of dust collection can reduce dust-related hazards.

4. POWER TOOL USE AND CARE

- a) Do not force the power tool. Use the correct power tool for your application. The correct power tool will do the job better and safer at the rate for which it was designed.
- b) Do not use the power tool if the switch does not turn it on and off. Any power tool that cannot be controlled with the switch is dangerous and must be repaired.
- c) Disconnect the plug from the power source and/or the battery pack from the power tool before making any adjustments, changing accessories, or storing power tools. Such preventive safety measures reduce the risk of starting the power tool accidentally.
- d) Store idle power tools out of the reach of children and do not allow persons unfamiliar with the power tool or these instructions to operate the power tool. Power tools are dangerous in the hands of untrained users.
- e) Maintain power tools. Check for misalignment or binding of moving parts, breakage of parts and any other condition that may affect the power tool's operation. If damaged, have the power tool repaired before use. Many accidents are caused by poorly maintained power tools.
- f) Keep cutting tools sharp and clean. Properly maintained cutting tools with sharp cutting edges are less likely to bind and are easier to control.
- g) Use the power tool, accessories and tool bits etc. in accordance with these instructions, taking into account the working conditions and the work to be performed. Use of the power tool for operations different from those intended could result in a hazardous situation.

5. SERVICE

- a) Have your power tool serviced by a qualified repair person using only identical replacement parts. This will ensure that the safety of the power tool is maintained.

Drill safety warnings



Wear ear protectors with drills. Exposure to noise can cause hearing loss.

- Use the auxiliary handle supplied with the machine. Loss of control can cause personal injury.



During operation provide eye protection to prevent eyes from exposure to flying particles. Wear goggles.



Take protective measures against inhalation of dust. Some materials can contain toxic ingredients. Wear a dust mask and work with dust/chip extraction when connectable.

- Hold the power tool by insulated gripping surfaces only, when performing an operation where the cutting accessory may contact hidden wiring or its own cord. Cutting accessory contacting a "live" wire may make exposed metal parts of the power tool "live" and could give the operator an electric shock.
- Do not process materials containing asbestos. Asbestos is considered carcinogenic.



WARNING: Before connecting a tool to a power source be sure that the voltage supply is the same as that specified on the nameplate of the tool.

- A power source with a voltage greater than that specified for the tool can result in serious injury to the user, as well as damage to the tool.
- If in doubt, do not plug in the tool.
- Using a power source with a voltage less than the nameplate rating is harmful to the motor.
- Fully unwind cable drum extensions to avoid potential overheating.
- When an extension cable is required, you must ensure that it has the right ampere rating for your power tool and it is in safe electrical condition.



WARNING: Always switch off and unplug the power tool prior to any adjustment, servicing or maintenance.

- While operating the machine, always hold it firmly with both hands and provide for a secure stance. The power tool is guided more securely with both hands.
- Prior to operation use suitable detectors to determine if utility lines are hidden in the work area or call the local utility company for assistance. Contact with electric lines can lead to fire and electric shock. Damaging a gas line can lead to explosion. Penetrating a water line causes property damage or may cause electric shock.

- Always keep the cord away from the working area of the power tool.
- Never use the machine with a damaged cable. Do not touch the damaged cable and pull the mains plug when the cable is damaged while operating. Damaged cables increase the risk of electric shock.
- Always be sure you have a firm footing. Be sure no one is below when using the tool in high locations.
- Use clamps or a vice to secure your work whenever possible.
- Watch out for the initial torque reaction of the machine or upon jamming the drill bit.
- Do not touch the drill bit or parts close to it during operation and immediately after that; they may be extremely hot. You may get serious burns.
- Keep work area clean. Blends of materials are particularly dangerous. Dust from light alloys can burn or explode.
- Rags, cloths, cord, string and the like should never be left around the work area.
- Always switch the machine off prior to leaving it down.
- The tool must be used only for its prescribed purpose. Any use other than those mentioned in this Manual will be considered a case of misuse. The user and not the manufacturer shall be liable for any damage or injury resulting from such cases of misuse.
- To use this tool properly, you must observe the safety regulations, the assembly instructions and the operating instructions found in this Manual. All persons who use and service the machine have to be acquainted with this Manual and must be informed about its potential hazards. Children and frail people must not use this tool. Children should be supervised at all times if they are in the area in which the tool is being used. It is also imperative that you observe the accident prevention regulations in force in your area. The same applies for general rules of occupational health and safety.
- The manufacturer shall not be liable for any changes made to the tool nor for any damage resulting from such changes.
- The power tools must not be used outdoors in rainy weather, or in moist environment (after rain) or in close vicinity with easily flammable liquids and gases. The working place should be well lit.

Know your product

Before using the power tool, familiarize yourself with all the operating features and safety requirements.

Use the tool and accessories only for the applications intended. All other applications are expressly ruled out.

1. Securing screw
2. Keyless chuck
3. Place for spindle fixing
4. Belt clip
5. Ventilation slots
6. Reversing switch
7. Electronic regulator of rotation speed
8. ON/OFF switch
9. Lock-on button
10. Metal gear box

Operation

This power tool is supplied from single-phase alternating current mains only. It is double insulated according to EN 60745, IEC 60745 and can be connected to grounded or not grounded sockets. This power tool is radio suppressed in compliance with EMC Directive 2004/108/EC.

This power tool is designed for drilling in steel, wood, plastics, etc.

PRIOR TO INITIAL OPERATION



WARNING: Make sure the power supply voltage corresponds to the value indicated on the name plate with technical data of the appliance.

- Always check the position of ON/OFF switch. The power tool must be connected to the power supply socket only when this switch is in OFF position. If the plug is connected to a receptacle while the power switch is in the ON position, the power tool will start operating immediately, which could cause a serious accident.
- Make sure the cord and the plug are in order. If the replacement of the supply cord is necessary, this has to be done by the manufacturer or his agent in order to avoid a safety hazard.



WARNING: Prior to operation always check the direction of rotation. Shift the reversing switch only when the spindle has come to a complete stop. Reversing prior to final spindle halt may damage the power tool.

INSTALLING AND REMOVING BITS



WARNING: Switch off and unplug the machine prior to any procedure on the power tool.

Grip rear collar of keyless chuck and rotate front collar until chuck is opened sufficiently for the bit to be inserted. Then firmly tighten front collar by hand.

SWITCHING ON / SWITCHING OFF

Brief activation:

- Switching on: Press ON/OFF switch (8).
- Switching off: Release ON/OFF switch (8).

Continuous use:

- Switching on: Press ON/OFF switch (8) and in pressed position lock it by button (9).
- Switching off: Press ON/OFF switch (8) once and release it immediately.



WARNING: Before plugging in the tool, always check to see that the trigger switch (8) actuates properly and returns to OFF position when released.

SMOOTH ELECTRONIC RPM CONTROL

Light pressure on ON/OFF switch (8) results in low rotation speed, further pressing the switch results in smooth increase of the rpm to maximum upon reaching the extreme position.

SELECTION OF RPM VALUE

The necessary speed can be pre-selected by rotating the regulator dial (7) clockwise or anti-clockwise.

REVERSING

The extreme position of lever (6) to the right is equivalent to clockwise rotation, the extreme position to the left – to anti-clockwise rotation. When the ON/OFF switch (8) is depressed lever (6) can not be actuated. Reversing can be performed only when the spindle is not rotating!

SCREWING / UNSCREWING BOLTS, SCREWS AND NUTS

Following the above-described procedure, tighten the corresponding accessory in chuck (2). Select the rotation direction necessary by lever (6). These operations must be performed only at low rpm.



WARNING: In case of screwing / unscrewing long bolts and screws there is a danger of slipping the drill.

REMOVING THE CHUCK

Grip rear collar of keyless chuck (2) and rotate front collar until chuck is opened. By means a screwdriver unwind the left-treaded securing screw. Insert and fasten Allen key or screwdriver bit into the chuck.

Clamp the place for fixing the spindle (3) by means of a spanner and rotate the chuck anti-clockwise by the free end of the key (bit).

RECOMMENDATIONS FOR OPERATION

Drill at speed lower than the maximum speed and select the speed depending on the processed material.

Use straight shank drill bits.

Watch out the stage of blunting of the bit and replace it if considerable decrease of efficiency is observed.

Before drilling large-diameter holes in metal, wood or plastics, drill a small pilot hole.

ACCESSORIES TO BE USED WITH THIS POWER TOOL

- Drill bits for metal $\varnothing 0.8$ to $\varnothing 10$ mm.
- Drill bits for wood $\varnothing 0.8$ to $\varnothing 20$ mm.
- 6.35 mm (1/4") hexagon shank screwdriver bits.



WARNING: These accessories or attachments are recommended for use with your SPARKY tool specified in this manual. The use of any other accessories or attachments might present a risk of injury. Only use accessory or attachment for its stated purpose. If you need any assistance for more details regarding these accessories, ask your local SPARKY service centre.

Maintenance



WARNING: Always ensure that the tool is switched off and unplugged before attempting to perform inspection or maintenance.

BRUSH REPLACEMENT

When the carbon brushes are worn out, both brushes must be replaced simultaneously with genuine brushes at SPARKY service centre for warranty and post-warranty service.

GENERAL INSPECTION

Regularly inspect all fasteners and ensure they are properly tightened. Should any of the screws be loose, retighten it immediately to avoid hazards.

If the replacement of the supply cord is necessary, this has to be done by the manufacturer or his agent in order to avoid a safety hazard.

CLEANING

For safe operation always keep the machine and its ventilation slots (5) clean.

With the motor running, blow dirt and dust out of all air vents with dry air at least once a week. Wear safety glasses while performing this.

Exterior plastic parts may be cleaned with a damp cloth and mild detergent.



WARNING: Although exterior plastic parts are highly solvent resistant, never use solvents!

IMPORTANT! To assure product safety and reliability, repairs, maintenance and adjustment (including brush inspection and replacement) should be performed by certified service centres or other qualified service organisations, always using genuine replacement parts.

Warranty

The guarantee period for SPARKY power tools is determined in the guarantee card.

Faults due to normal wear, overloading or improper handling will be excluded from the guarantee.

Faults due to defective materials implemented as well as defects in workmanship will be corrected free of charge through replacement or repair.

The complaints for defective SPARKY power tools will be recognized if the machine is sent back to the dealer or is presented to the authorised warranty service centre undismantled, in its initial condition.

Notes

Carefully read the entire original instructions before using this product.

The manufacturer reserves the right to make changes and improvements to the products and to alter specifications without prior notice.

Specifications may differ from country to country.

Inhalt

Einführung	8
Technische Angaben	10
Allgemeine Sicherheitshinweise für Elektrowerkzeuge	11
Sicherheitshinweise für Bohrmaschinen	12
Bekanntmachung mit dem Elektrowerkzeug	A/13
Bedienungsanleitung	13
Wartung und Pflege	14
Garantie	15

AUSPACKEN

Entsprechend den allgemein angenommenen Herstellungstechnologien ist es kaum wahrscheinlich, dass das von Ihnen erworbene Elektrowerkzeug beschädigt ist, oder irgendwelcher Teil fehlt. Falls Sie merken, dass etwas nicht in Ordnung ist, beginnen Sie nicht mit der Arbeit, bevor der beschädigte Teil nicht ersetzt oder die Störung nicht beseitigt ist. Die Nichtbeachtung dieser Empfehlungen kann zu schweren Unfällen führen.

ZUSAMMENBAU

Die Bohrmaschine wird verpackt und zusammengebaut geliefert.

Einführung

Das von Ihnen erworbene Elektrowerkzeug wird Ihre Erwartungen übersteigen. Es ist gemäß den hohen Qualitätsstandards von SPARKY hergestellt, die den strengen Anforderungen des Verbrauchers entsprechen. Einfach in der Bedienung und ungefährlich bei richtiger Handhabung, wird dieses Gerät bei bestimmungsgemäßem Gebrauch Ihnen lange Jahre zuverlässig dienen.

WARNUNG!



Lesen Sie die ganze Bedienungsanleitung aufmerksam durch, bevor Sie das neu erworbene SPARKY – Elektrowerkzeug in Betrieb nehmen. Beachten Sie besonders die Texte, die mit dem Wört „**Warnung**“ beginnen. Ihr SPARKY - Elektrowerkzeug besitzt viele Eigenschaften, die Ihre Arbeit erleichtern werden. Bei der Entwicklung dieses Elektrowerkzeuges ist höchste Aufmerksamkeit der Sicherheit, den Betriebseigenschaften und der Zuverlässigkeit gewidmet worden, die es einfach zur Wartung und Bedienung machen.



Keine elektrischen Geräte zusammen mit dem Hausmüll wegwerfen!

Die Abfälle von elektrischen Erzeugnissen sollen nicht zusammen mit dem Hausmüll gesammelt werden. Für eine umweltgerechte Entsorgung geben Sie Ihre alten / defekten Elektrogeräte bitte in der nächsten kommunalen Sammelstelle ab.



UMWELTSCHUTZ

Angesichts des Umweltschutzes sollten das Elektrowerkzeug, die Zubehörteile und die Verpackung einer geeigneten Wiederverwertung zugeführt werden. Zum sortenreinen Recycling sind die Teile, hergestellt aus Kunststoffen, entsprechend gekennzeichnet.

BEDEUTUNG DER SYMBOLE

Auf dem Typenschild des Elektrowerkzeuges sind spezielle Symbole dargestellt. Sie stellen wichtige Information über das Produkt oder Instruktionen für seine Nutzung dar.



Doppelte Isolierung für zusätzlichen Schutz



Elektronik für Geschwindigkeitsvorwahl



Rechts-Links-Lauf



Entspricht den einschlägigen Europäischen Richtlinien



Entspricht den Anforderungen der russischen normativen Dokumente



Entspricht den Anforderungen der ukrainischen normativen Dokumenten



Lesen Sie die Bedienungsanleitung

YYYY-Www

Zeitabschnitt der Produktion, wobei die variablen Symbole sind:
YYYY - Kalenderjahr der Produktion, ww - laufende Kalenderwoche

BR

BOHRMASCHINE

Technische Daten

Modell:	BR 100E	BR 101E
• Nennaufnahme:	350 W	500 W
• Leerlaufdrehzahl:	0–3000 min ⁻¹	0–3000 min ⁻¹
• Elektronische Drehzahlregelung:	Ja	Ja
• Drehrichtungswechsel:	Ja	Ja
• Bohrfutterkapazität:	0,8–10 mm	0,8–10 mm
• Max. Bohrerdurchmesser in Stahl / Holz:	10 / 20 mm	10 / 20 mm
• Gewicht (EPTA Verfahren 01/2003):	1,2 kg	1,5 kg
• Schutzklasse (EN 60745) 	II	II

Geräusch-/Vibrationsinformation

• Geräuschemissionswerte (Messwerte ermittelt entsprechend EN 60745):		
Der A-bewertete Schalldruckpegel L _{pa}	82 dB(A)	83 dB(A)
Unsicherheit K _{pa}	3 dB	3 dB
Der A-bewertete Schalleistungspegel L _{WA}	93 dB(A)	94 dB(A)
Unsicherheit K _{WA}	3 dB	3 dB



Gehörschutz tragen!

• **Schwingungsemissionswerte** (Messwerte ermittelt nach 6.2.7 EN 60745-1):

Schwingungsgesamtwerte (Vektorsumme dreier Richtungen) ermittelt entsprechend EN 60745

• Bohren in Metall:		
Schwingungsemissionswert a _h	<2,5 m/s ²	<2,5 m/s ²
Unsicherheit K _a	1,5 m/s ²	1,5 m/s ²

Der in diesen Anweisungen angegebene Schwingungspegel ist entsprechend einem in EN 60745 genormten Messverfahren gemessen worden und kann für den Vergleich von Elektrowerkzeugen miteinander verwendet werden. Er eignet sich auch für eine vorläufige Einschätzung der Schwingungsbelastung.

Der angegebene Schwingungspegel repräsentiert die hauptsächlichsten Anwendungen des Elektrowerkzeugs. Wenn allerdings das Elektrowerkzeug für andere Anwendungen, mit abweichenden Einsatzwerkzeugen oder ungenügender Wartung eingesetzt wird, kann der Schwingungspegel abweichen. Dies kann die Schwingungsbelastung über den gesamten Arbeitszeitraum deutlich erhöhen.

Für eine genaue Abschätzung der Schwingungsbelastung sollten auch die Zeiten berücksichtigt werden, in denen das Gerät abgeschaltet ist oder zwar läuft, aber nicht tatsächlich im Einsatz ist. Dies kann die Schwingungsbelastung über den gesamten Arbeitszeitraum deutlich reduzieren.

Pflegen Sie das Gerät und die Einsatzwerkzeuge mit Sorgfalt. Halten Sie Ihre Hände warm während der Arbeit – dies wird die schädliche Einwirkung erhöhter Schwingungen reduzieren.

Stäube von Materialien wie bleihaltigem Anstrich, einigen Holzarten, Mineralien und Metall können gesundheitsschädlich sein. Berühren oder Einatmen der Stäube können allergische Reaktionen und/oder Atemwegserkrankungen des Benutzers oder in der Nähe befindlicher Personen hervorrufen.

Bestimmte Stäube wie Eichen- oder Buchenstaub gelten als krebserzeugend, besonders in Verbindung mit Zusatzstoffen zur Holzbehandlung (Chromat, Holzschutzmittel). Asbesthaltiges Material darf nur von Fachleuten bearbeitet werden.

- Benutzen Sie möglichst eine Staubabsaugung.
- Um bei der Arbeit mit diesem Elektrowerkzeug ein gutes Staubabfangen zu gewährleisten, benutzen Sie einen Staubabsauger, der für Holzstaub oder für Holz- und mineralischen Staub bestimmt ist.
- Sorgen Sie für gute Belüftung des Arbeitsplatzes.
- Es wird empfohlen, eine Atemschutzmaske mit Filterklasse P2 zu tragen.

Beachten Sie in Ihrem Land gültige Vorschriften für die zu bearbeitenden Materialien.

Allgemeine Sicherheitshinweise für Elektrowerkzeuge



WARNUNG! Lesen Sie alle Sicherheitshinweise und Anweisungen. Versäumnisse bei der Einhaltung der Sicherheitshinweise und Anweisungen können elektrischen Schlag, Brand und/oder schwere Verletzungen verursachen.

Bewahren Sie alle Sicherheitshinweise und Anweisungen für die Zukunft auf.

Der in den Sicherheitshinweisen verwendete Begriff „Elektrowerkzeug“ bezieht sich auf netzbetriebene Elektrowerkzeuge (mit Netzkabel) und auf akkubetriebene Elektrowerkzeuge (ohne Netzkabel).

1. ARBEITSPLATZSICHERHEIT

- Halten Sie Ihren Arbeitsbereich sauber und gut beleuchtet. Unordnung oder unbeleuchtete Arbeitsbereiche können zu Unfällen führen.
- Arbeiten Sie mit dem Elektrowerkzeug nicht in explosionsgefährdeter Umgebung, in der sich brennbare Flüssigkeiten, Gase oder Stäube befinden. Elektrowerkzeuge erzeugen Funken, die den Staub oder die Dämpfe entzünden können.
- Halten Sie Kinder und andere Personen während der Benutzung des Elektrowerkzeugs fern. Bei Ablenkung können Sie die Kontrolle über das Gerät verlieren.

2. ELEKTRISCHE SICHERHEIT

- Der Anschlussstecker des Elektrowerkzeuges muss in die Steckdose passen. Der Stecker darf in keiner Weise verändert werden. Verwenden Sie keine Adapterstecker gemeinsam mit Schutzgeerdeten Elektrowerkzeugen. Unveränderte Stecker und passende Steckdosen verringern das Risiko eines elektrischen Schlages.
- Vermeiden Sie Körperkontakt mit geerdeten Oberflächen wie von Rohren, Heizungen, Herden und Kühlschränken. Es besteht ein erhöhtes Risiko durch elektrischen Schlag, wenn Ihr Körper geerdet ist.
- Halten Sie Elektrowerkzeuge von Regen oder Nässe fern. Das Eindringen von Wasser in ein Elektrowerkzeug erhöht das Risiko eines elektrischen Schlages.
- Zweckentfremden Sie das Kabel nicht, um das Elektrowerkzeug zu tragen, aufzuhängen oder um den Stecker aus der Steckdose zu ziehen. Halten Sie das Kabel fern von Hitze, Öl, scharfen Kanten oder sich bewegenden Geräteteilen. Beschädigte oder verwickelte Kabel erhöhen das Risiko eines elektrischen Schlages.
- Wenn Sie mit einem Elektrowerkzeug im Freien arbeiten, verwenden Sie nur Verlängerungskabel, die auch für den Außenbereich geeignet sind. Die Anwendung eines für den Außenbereich

geeigneten Verlängerungskabels verringert das Risiko eines elektrischen Schlages.

- Wenn der Betrieb des Elektrowerkzeuges in feuchter Umgebung nicht vermeidbar ist, verwenden Sie einen Fehlerstromschutzschalter. Der Einsatz eines Fehlerstromschutzschalters vermindert das Risiko eines elektrischen Schlages.

3. SICHERHEIT VON PERSONEN

- Seien Sie aufmerksam, achten Sie darauf, was Sie tun, und gehen Sie mit Vernunft an die Arbeit mit einem Elektrowerkzeug. Benutzen Sie kein Elektrowerkzeug, wenn Sie müde sind oder unter dem Einfluss von Drogen, Alkohol oder Medikamenten stehen. Ein Moment der Unachtsamkeit beim Gebrauch des Elektrowerkzeuges kann zu ernsthaften Verletzungen führen.
- Tragen Sie persönliche Schutzausrüstung und immer eine Schutzbrille. Das Tragen persönlicher Schutzausrüstung, wie Staubmaske, rutschfeste Sicherheitsschuhe, Schutzhelm oder Gehörschutz, je nach Art und Einsatz des Elektrowerkzeuges, verringert das Risiko von Verletzungen.
- Vermeiden Sie eine unbeabsichtigte Inbetriebnahme. Vergewissern Sie sich, dass das Elektrowerkzeug ausgeschaltet ist, bevor Sie es an die Stromversorgung und/oder den Akku anschließen, es aufnehmen oder tragen. Wenn Sie beim Tragen des Elektrowerkzeuges den Finger am Schalter haben oder das Gerät eingeschaltet an die Stromversorgung anschließen, kann dies zu Unfällen führen.
- Entfernen Sie Einstellwerkzeuge oder Schraubenschlüssel, bevor Sie das Elektrowerkzeug einschalten. Ein Werkzeug oder Schlüssel, der sich in einem drehenden Geräteteil befindet, kann zu Verletzungen führen.
- Vermeiden Sie eine abnormale Körperhaltung. Sorgen Sie für einen sicheren Stand und halten Sie jederzeit das Gleichgewicht. Dadurch können Sie das Elektrowerkzeug in unerwarteten Situationen besser kontrollieren.
- Tragen Sie geeignete Kleidung. Tragen Sie keine weite Kleidung oder Schmuck. Halten Sie Haare, Kleidung und Handschuhe fern von sich bewegenden Teilen. Lockere Kleidung, Schmuck oder lange Haare können von sich bewegenden Teilen erfasst werden.
- Wenn Staubabsaug- und -auffangeinrichtungen montiert werden können, vergewissern Sie sich, dass diese angeschlossen sind und richtig verwendet werden. Verwendung einer Staubabsaugung kann Gefährdungen durch Staub verringern.

4. VERWENDUNG UND BEHANDLUNG DES ELEKTROWERKZEUGES

- Überlasten Sie das Gerät nicht. Verwenden Sie für Ihre Arbeit das dafür bestimmte Elektrowerkzeug. Mit dem passenden Elektrowerkzeug arbeiten Sie besser und sicherer im angegebenen Leistungsbereich.
- Benutzen Sie kein Elektrowerkzeug, dessen Schalter defekt ist. Ein Elektrowerkzeug, das sich

nicht mehr ein- oder ausschalten lässt, ist gefährlich und muss repariert werden.

- c) Ziehen Sie den Stecker aus der Steckdose und/oder entfernen Sie den Akku, bevor Sie Geräteeinstellungen vornehmen, Zubehörteile wechseln oder das Gerät weglegen. Diese Vorsichtsmaßnahme verhindert den unbeabsichtigten Start des Elektrowerkzeuges.
- d) Bewahren Sie unbenutzte Elektrowerkzeuge außerhalb der Reichweite von Kindern auf. Lassen Sie Personen das Gerät nicht benutzen, die mit diesem nicht vertraut sind oder diese Anweisungen nicht gelesen haben. Elektrowerkzeuge sind gefährlich, wenn Sie von unerfahrenen Personen benutzt werden.
- e) Pflegen Sie Elektrowerkzeuge mit Sorgfalt. Kontrollieren Sie, ob bewegliche Teile einwandfrei funktionieren und nicht klemmen, ob Teile gebrochen oder so beschädigt sind, dass die Funktion des Elektrowerkzeuges beeinträchtigt ist. Lassen Sie beschädigte Teile vor dem Einsatz des Gerätes reparieren. Viele Unfälle haben ihre Ursache in schlecht gewarteten Elektrowerkzeugen.
- f) Halten Sie Schneidwerkzeuge scharf und sauber. Sorgfältig gepflegte Schneidwerkzeuge mit scharfen Schneidkanten verkleben sich weniger und sind leichter zu führen.
- g) Verwenden Sie Elektrowerkzeug, Zubehör, Einsatzwerkzeuge usw. entsprechend diesen Anweisungen. Berücksichtigen Sie dabei die Arbeitsbedingungen und die auszuführende Tätigkeit. Der Gebrauch von Elektrowerkzeugen für andere als die vorgesehenen Anwendungen kann zu gefährlichen Situationen führen.

5. SERVICE

- a) Lassen Sie Ihr Elektrowerkzeug nur von qualifiziertem Fachpersonal und nur mit Original-Ersatzteilen reparieren. Damit wird sichergestellt, dass die Sicherheit des Elektrowerkzeuges erhalten bleibt.

Sicherheitshinweise für Bohrmaschinen



Tragen Sie Gehörschutz bei der Benutzung von Bohrmaschinen. Die Einwirkung von Lärm kann Gehörverlust bewirken.

- Benutzen Sie die mit dem Gerät gelieferten Zusatzhandgriffe. Der Verlust der Kontrolle über die Maschine kann zu Verletzungen führen.



Verwenden Sie während der Arbeit geeignete Augenschutzmittel um sich vor fliegenden Teilchen zu schützen. Tragen Sie eine Schutzbrille.



Treffen Sie Schutzmaßnahmen gegen das Einatmen von Staub. Manche Werkstoffe können toxische Bestandteile enthalten. Tragen Sie eine Staubschutzmaske.

- Halten Sie das Gerät nur an den isolierten Griffflächen, wenn Sie Arbeiten ausführen, bei denen das Einsatzwerkzeug verborgene Stromleitungen oder das eigene Netzkabel treffen kann. Der Kontakt mit einer spannungsführenden Leitung kann auch metallene Geräteteile unter Spannung setzen und zu einem elektrischen Schlag führen.
- Bearbeiten Sie keine Werkstoffe die Asbest enthalten. Asbest gilt als krebserregend.



WARNUNG: Bevor Sie das Elektrogerät an das Stromnetz anschließen, überzeugen Sie sich, dass die Versorgungsspannung der angegebenen Spannung auf der Tabelle mit den technischen Daten (auf dem Typenschild) des Elektrogeräts entspricht.

- Eine höhere Spannung als auf dem Typenschild angegeben kann ernsthafte Verletzungen für den Bediener und Schäden am Elektrowerkzeug hervorrufen.
- Wenn Sie Zweifel haben, stecken Sie den Stecker des Elektrowerkzeugs nicht in die Steckdose.
- Niedrigere Spannung als auf dem Typenschild angegeben kann das Elektrowerkzeug beschädigen.
- Um ein eventuelles Überhitzen eines Verlängerungskabels zu vermeiden, wickeln Sie das Kabel der Kabeltrommel immer bis zum Ende ab.
- Falls das Benutzen eines Verlängerungskabels erforderlich ist, überzeugen Sie sich, dass der Querschnitt des Kabels dem Nennstrom des benutzten Elektrowerkzeuges entspricht. Überzeugen Sie sich von der Funktionstüchtigkeit des Kabels und prüfen Sie es auf Schäden.



WARNUNG: Schalten Sie das Elektrowerkzeug vor jeglichen Einstellungs-, Wartungs- und Reparaturarbeiten aus und trennen Sie es vom Netz. Das gleiche gilt bei Stromausfall (Gefahr des unbeabsichtigten Wiederanlaufens).

- Wenn Sie arbeiten, halten Sie die Maschine mit den beiden Händen fest und nehmen Sie eine stabile Körperhaltung ein. Sie können das Elektrowerkzeug sicherer führen, wenn Sie es mit beiden Händen halten.
- Überprüfen Sie vor dem Beginn der Arbeit die Stelle die sie anbohren wollen mit einem geeigneten Metallsuchgerät auf versteckte Strom-, Gas- oder Wasserleitungen. Die Berührung des Bohrers mit einer verborgenen Elektroinstallation kann einen Brand oder eine Verletzung durch den elektrischen Strom hervorrufen. Der Schaden an einer Gasleitung kann eine Explosion hervorrufen. Das Durchbrechen einer Wasserleitung wird einen Wasserschaden oder eine Verletzung durch elektrischen Strom hervorrufen.
- Halten Sie das Versorgungskabel außerhalb des Arbeitsbereiches der Maschine.
- Arbeiten Sie nicht mit dem Elektrowerkzeug wenn das Netzkabel beschädigt ist. Berühren Sie nicht die beschädigte Leitung. Ziehen Sie den Stecker aus der Steckdose wenn das Kabel während der Arbeit beschädigt wird. Beschädigte Kabel erhöhen das Risiko eines Stromschlags.
- Immer stabile Körperhaltung einnehmen. Wenn Sie

mit dem Elektrowerkzeug z. B. auf einer Leiter Höhe arbeiten, stellen sie immer sicher, dass sich niemand darunter befindet.

- Fixieren Sie das Werkstück, das Sie bearbeiten, in einem Schraubstock oder auf eine andere geeignete Weise
- Achten Sie auf das Drehmoment beim Anlauf der Bohrmaschine oder bei einer Blockierung des Bohrers.
- Berühren Sie den Bohrer oder das bearbeitete Werkstück nicht gleich nach der Arbeit. Sie können sehr heiß sein und können eine Verbrennung der Haut hervorrufen.
- Halten Sie Ihren Arbeitsplatz immer sauber. Das Eindringen von Staub unterschiedlicher Materialien ist besonders gefährlich. Der Staub von leichten Metallen kann brennen oder explodieren.
- Lassen Sie niemals Lappen, Leitungen oder Draht in der Nähe des Arbeitsplatzes.
- Schalten Sie immer die Maschine aus, bevor Sie sie beiseite legen.
- Verwenden Sie das Gerät nur gemäß seinem bestimmten Zweck. Jeder andere Gebrauch, unterschiedlich vom beschriebenen in dieser Anleitung, wird man als nicht korrekter Gebrauch betrachtet. Die Haftung für jeden Schaden oder Verletzung, entstanden durch einen nicht korrekten Gebrauch, trägt in diesem Fall der Benutzer und nicht der Hersteller.
- Um Sie dieses Elektrowerkzeug korrekt zu benutzen, müssen Sie die Sicherheitsvorschriften, sowie die allgemeinen Anleitungen und Arbeitshinweise, angeben im vorliegenden Dokument beachten. Alle Benutzer müssen sich mit dieser Betriebsanleitung bekannt machen und müssen über die potentiellen Risiken bei der Arbeit mit dem Elektrowerkzeug informiert werden. Kinder und körperlich schwache Menschen dürfen das Elektrowerkzeug nicht benutzen. Kinder müssen ununterbrochen beaufsichtigt werden wenn sie sich in der Nähe der Stelle, wo man mit dem Elektrowerkzeug arbeitet befinden. Treffen Sie unbedingt vorbeugende Sicherheitsmaßnahmen. Das gleiche betrifft auch die Einhaltung der Vorschriften für die berufliche Sicherheit und für Gesundheit.
- Der Hersteller trägt keine Haftung für vom Benutzer gemachte Änderungen des Elektrowerkzeuges oder für Schaden, verursacht durch solche Änderungen.
- Das Elektrowerkzeug darf nicht im Freien bei Regenwetter, in einer feuchten Umgebung (nach einem Regen) oder in der Nähe von leicht entzündbaren Flüssigkeiten und Gasen benutzt werden. Die Arbeitsstelle muss gut beleuchtet sein.

Bekanntmachung mit dem Elektrowerkzeug

Vor dem Beginn der Arbeit mit der Bohrmaschine machen Sie sich mit allen operativen Besonderheiten und Sicherheitsbedingungen bekannt.

Benutzen Sie das Elektrowerkzeug und das Zubehör dazu nur zweckmäßig. Jede andere Anwendung ist ausdrücklich verboten.

1. Sicherungsschraube
2. Schnellspannbohrfutter
3. Spindelfixierungsstelle
4. Clip
5. Lüftungsöffnungen
6. Drehrichtungsumschalthebel
7. Elektronischer Drehzahlregler
8. Ein-Aus-Schalter
9. Schalterfeststellknopf
10. Getriebegehäuse aus Metall

Arbeitshinweise

Dieses Elektrowerkzeug wird nur mit einphasiger Wechselspannung versorgt. Es kann an Steckdosen ohne Schutzklemmen angeschlossen werden, da es nach EN 50144 und IEC 60745 doppelisoliert ist. Die Funkstörungen entsprechen der EMV-Richtlinie 2004/108/EC zur Elektromagnetischen Verträglichkeit.

Das Elektrowerkzeug ist zum Bohren in Stahl, Holz, Kunststoff u.ä. bestimmt.

VOR ALLEN ARBEITEN MIT DEM ELEKTROWERKZEUG IST DAS FOLGENDE ZU BEACHTEN



WARNUNG: Die Spannung der Stromquelle soll mit den Angaben auf dem Typenschild des Elektrowerkzeugs übereinstimmen.

- Stellung des Schalters. Das Elektrowerkzeug wird nur bei abgeschaltetem Schalter ans Netz angeschlossen und vom Netz getrennt. Falls das Elektrowerkzeug mit eingeschaltetem Schalter ans Netz angeschlossen wird, wird es sofort angelaufen. Das kann zu Verletzungen führen.
- Anschlusskabel und Stecker auf eventuelle Beschädigung kontrollieren. Im Fall von Beschädigung das Kabel sofort vom Hersteller oder von einem anerkannten Fachbetrieb erneuern lassen, um Gefahren von der Erneuerung zu vermeiden.



WARNUNG: Überprüfen Sie vor dem Arbeitsbeginn immer die Drehrichtung. Benutzen Sie den Hebel zum Wechseln der Drehrichtung nur wenn die Spindel ihre Drehung ganz gestoppt hat. Die Änderung der Drehrichtung vor dem endgültigen Stoppen der Spindel kann das Elektrowerkzeug beschädigen.

EINSETZEN UND ENTNEHMEN EINES WERKZEUGS



WARNUNG: Vor jeglichen Arbeiten am Elektrowerkzeug den Netzstecker ziehen.

Den hinteren Kranz des Bohrfutters festhalten und den vorderen Kranz drehen, bis sich das Bohrfutter genug

geöffnet hat, um das Werkzeug einzusetzen. Danach den vorderen Kranz mit der Hand festziehen.

EIN- UND AUSSCHALTEN

Momentschaltung:

- Einschalten: Ein-Aus-Schalter (8) drücken.
- Ausschalten: Ein-Aus-Schalter (8) loslassen.

Dauerschaltung:

- Einschalten: Ein-Aus-Schalter (8) drücken und bei gedrückter Stellung den Feststellknopf (9) arretieren.
- Ausschalten: Ein-Aus-Schalter (8) kurzzeitig drücken und sofort loslassen.



WARNUNG: Bevor Sie den Stecker in die Steckdose stecken, überprüfen Sie stets, ob der Hauptschalter (8) sich betätigen und nach dem Loslassen in AUS-Position stellen lässt.

STUFENLOSE ELEKTRONISCHE DREHZAHLREGELUNG

Durch leichtes Drücken des Schalters (8) wird die Bohrmaschine mit niedrigen Drehzahlen angefahren, die durch Anheben des Druckes auf den Schalter bis zum Anschlag stufenlos bis max. erhöht werden.

DREHZAHLVORWAHL

Die gewünschte Drehzahl wird durch drehen am Regler (7) in Richtung Uhrzeigersinn oder entgegengesetzt gewählt.

DREHRICHTUNGSWECHSEL

Die Endstellung rechts des Hebels (6) bedeutet Drehen in Richtung Uhrzeigersinn und die Endstellung links – in Richtung entgegengesetzt dem Uhrzeigersinn. Bei gedrücktem Schalter (8) kann der Hebel (6) nicht betätigt werden. Ein Drehrichtungswechsel kann nur bei Stillstand der Bohrmaschine erfolgen.

LÖSEN UND EINDREHEN VON BOLZEN, SCHRAUBEN UND MUTTERN

Den entsprechenden Einsatz zum Eindrehen bzw. Lösen von Bolzen, Muttern oder Schrauben in das Bohrfutter (2) wie oben beschrieben festspannen. Durch den Drehrichtungsumschalthebel (6) wird die Operation Lösen oder Eindrehen ausgewählt. Dabei nur mit kleiner Drehzahl arbeiten.



WARNUNG: Vorsicht beim Eindrehen langer Bolzen und Schrauben. Abrutschgefahr!

DEMONTAGE DES BOHRFUTTERS

Den hinteren Kranz des Bohrfutters festhalten und den vorderen Kranz drehen, bis das Bohrfutter völlig geöffnet wird.

Mit einem Schraubenzieher die Sicherungsschraube mit Linksgewinde lösen. In das Bohrfutter ein Sechskan-

tendstück oder den Einsatz zum Eindrehen von Schrauben legen und festziehen. Die Spindelfixierungsstelle (3) mit einem Schraubenschlüssel erfassen und das Bohrfutter mit dem freien Ende des Endstücks entgegengesetzt dem Uhrzeigersinn drehen.

EMPFEHLUNGEN

Die Drehzahl in Abhängigkeit vom Material wählen, niedriger als die max. angegebene.

Empfehlenswert ist die Benutzung von Bohrern mit zylindrischem Schaft. Ab und zu den Bohrer aus dem Bohrfutter herausziehen, damit der Staub beseitigt wird.

Wenn Löcher mit großem Durchmesser in Metall, Holz oder Kunststoff gebohrt werden sollen, zuerst eine Bohrung mit kleinerem Bohrer machen.

ZUBEHÖR ZUM BENUTZEN MIT DIESEM ELEKTROWERKZEUG

- Metallbohrer mit Durchmesser von $\varnothing 0.8$ bis $\varnothing 10$ mm.
- Holzbohrer mit Durchmesser von $\varnothing 0.8$ bis $\varnothing 20$ mm.
- Sechskanteinsätze 6.35 mm (1/4") zum Lösen und Eindrehen von Schrauben.



WARNUNG: Zur Arbeit mit diesem Elektrowerkzeug wird nur das oben angegebene Zubehör empfohlen. Das Benutzen von Einrichtungen oder Zubehör, die anders als die angegebenen sind, stellt eine Voraussetzung für Arbeitsunfall dar. Benutzen Sie Zubehör und Einrichtungen nur zweckmäßig. Falls Sie zusätzliche Informationen betreffend dieses Zubehör brauchen, wenden Sie sich an den örtlichen SPARKY-Service.

Wartung und Pflege



WARNUNG: Vor jeglichen Wartungsarbeiten am Elektrowerkzeug den Netzstecker ziehen.

AUSWECHSELN DER KOHLEBÜRSTEN

Wenn die Kohlebürsten abgenutzt sind, müssen beide Kohlebürsten in einer zuständigen Kundendienstwerkstatt für Garantie- und Reparaturleistungen der SPARKY-Elektrowerkzeuge ausgetauscht werden.

ALLGEMEINE ÜBERPRÜFUNG

Überprüfen Sie regelmäßig alle Befestigungselemente um sich zu überzeugen, dass sie fest angezogen sind. Falls einige der Schrauben lose sind, sofort festziehen, um Risikosituationen zu vermeiden.

Falls das Versorgungskabel beschädigt ist, darf es nur vom Hersteller oder einem autorisierten Servicefachmann ausgetauscht werden um eventuelle Gefährdungen zu vermeiden.

REINIGUNG

Für den sicheren Betrieb des Elektrowerkzeug und seine Lüftungsöffnungen 6 immer sauber halten.

Mindestens einmal wöchentlich bei laufendem Motor mit trockener Druckluft den Schmutz und den Staub von allen Lüftungsöffnungen säubern. Dabei immer Schutzbrille tragen.

Die Außenkunststoffteile können mit einem leicht angefeuchteten Tuch und einem milden Waschmittel gereinigt werden.



WARNUNG: Obwohl die Außenkunststoffteile beständig auf Lösungsmittel sind, ist der Gebrauch von Lösungsmitteln nicht gestattet!

WICHTIG! Um den sicheren Betrieb des Elektrowerkzeugs und seine Zuverlässigkeit zu gewährleisten, sollen alle Reparatur-, Wartungs- und Einstellarbeiten (einschl. Überprüfung und Auswechseln der Kohlenbürsten) in den autorisierten SPARKY Kundendienststellen bei der Verwendung von Originalersatzteilen durchgeführt werden.

Garantie

Die Garantiefrist der SPARKY-Elektrowerkzeuge wird im Garantieschein bestimmt.

Schäden, die auf natürliche Abnutzung, Überlastung oder unsachgemäße Handhabung zurückzuführen sind, bleiben von der Garantie ausgeschlossen.

Schäden, die durch Material- und/oder Herstellerfehler entstanden sind, werden unentgeltlich durch Ersatzlieferung oder Reparatur beseitigt.

Beanstandungen bezüglich eines beschädigten SPARKY-Elektrowerkzeugs können nur anerkannt werden, wenn das Gerät unzerlegt (im ursprünglichen Zustand) dem Lieferanten oder der befugten Kundendienstwerkstatt vorgelegt wird.

Bemerkungen

Lesen Sie aufmerksam die ganze Betriebsanleitung durch, bevor Sie mit der Arbeit beginnen.

Der Hersteller behält sich das Recht vor, Verbesserungen und Änderungen in seinen Erzeugnissen und in den Spezifikationen ohne Voranmeldung vorzunehmen.

Die Spezifikationen können für die verschiedenen Länder unterschiedlich sein.

Table des matières

Introduction	16
Spécifications techniques	18
Avertissements de sécurité généraux pour l'outil	19
Avertissements de sécurité de la perceuse	20
Connaître l'outil électroportatif	A/21
Consignes de travail	21
Entretien	22
Garantie	22

DÉBALLAGE

Votre nouvel outil électroportatif a été fabriqué en conformité avec toutes les technologies standard. Il est donc peu probable qu'il soit endommagé ou que l'une de ses parties soit manquante. Si vous remarquez une défaillance, interrompre le travail jusqu'à ce que la pièce défectueuse ne soit changée ou que la panne ne soit réparée. Le non-respect de cette instruction peut entraîner de graves accidents de travail.

ASSEMBLAGE

La perceuse est livrée emballée est entièrement assemblée.

Introduction

Votre nouvel outil a été conçu et produit selon tous les standards de qualité pour répondre aux exigences les plus élevées. Son exploitation est facile et sécurisée. Et avec une utilisation correcte il vous servira longtemps.



AVERTISSEMENT!

Lire attentivement les instructions avant d'utiliser votre nouvel outil. Prêter attention aux sections «**Avvertissement**». Votre outil électrique possède des caractéristiques qui facilitent votre travail. Cet instrument a été conçu et produit selon toutes les exigences de sécurité pour que son usage et son entretien soient faciles.



Ne pas jeter les outils électroportatifs avec les ordures ménagères!

Les déchets provenant d'outils électroportatif ne doivent pas être ramassés avec les ordures ménagères. Prière de recycler sur les lieux qui y sont spécialement destinés. Contacter les autorités locales ou un représentant pour des consultations concernant le recyclage.



RESPECT DE L'ENVIRONNEMENT

Récupération des matières premières plutôt qu'élimination des déchets.

En vue à la protection de l'environnement, les appareils, comme d'ailleurs leurs accessoires et emballages, doivent pouvoir suivre chacun une voie de recyclage appropriée. Nos pièces en matières artificielles ont été marquées en vue d'un recyclage sélectif des différents matériaux.

LÉGENDE

L'outil électrique porte une plaque décrivant les signes spéciaux. Ils apportent une information importante quant au produit ou des instructions d'utilisation.



Double isolation pour une meilleure sécurité



Présélection électronique de la vitesse



Réversibilité



Conforme aux directives européennes applicables



En conformité avec les exigences des standards Russes



En conformité avec les exigences des standards ukrainiens



Lisez les instructions d'utilisation

YYYY-Www

Période de production, où les symboles variables sont les suivants:
YYYY - année de production, ww – le numéro de la semaine du calendrier

BR

PERCEUSE

Spécifications techniques

Modèle:	BR 100E	BR 101E
• Puissance absorbée:	350 W	500 W
• Vitesse à vide:	0–3000 min ⁻¹	0–3000 min ⁻¹
• Variateur électronique de la vitesse:	Oui	Oui
• Réversibilité:	Oui	Oui
• Capacité du mandrin:	0,8–10 mm	0,8–10 mm
• Capacité de perçage dans le acier / bois:	10 / 20 mm	10 / 20 mm
• Poids (procédure EPTA 01/2003):	1,2 kg	1,5 kg
• Classe de protection (EN 60745) <input type="checkbox"/>	II	II

Informations sur les bruits et les vibrations

• Informations sur le bruit (Valeurs de mesure obtenues conformément à la EN 60745):		
Le mesure réelle (A) de niveau de pression acoustique L _{pA}	82 dB(A)	83 dB(A)
Incertitude K _{pA}	3 dB	3 dB
Le mesure réelle (A) de niveau d'intensité acoustique L _{WA}	93 dB(A)	94 dB(A)
Incertitude K _{WA}	3 dB	3 dB



Porter une protection acoustique!

• Informations sur les vibrations (déterminées conformément à la 6.2.7 EN 60745-1): valeurs totales des vibrations (somme vectorielle de trois sens) établies conformément à EN 60745		
• Perçage dans de l'acier:		
Valeur d'émission vibratoire a _{hD}	<2,5 m/s ²	<2,5 m/s ²
Incertitude K _D	1,5 m/s ²	1,5 m/s ²

L'amplitude d' accélération indiquée dans ces instructions d'utilisation a été mesurée suivant les méthodes de mesurage conformément à la norme EN 60745 et peut être utilisée pour une comparaison d'appareils. Le niveau de vibration peut être utilisé pour faire une estimation provisoire du degré d'influence vibratoire.

Le niveau de vibration annoncé concerne la fonction principale de l'outil. Dans des cas où l'outil est destinée à une autre utilisation ou avec d'autres accessoires, ou s'il est mal entretenu, le niveau de vibration peut s'écarter de celui qui a été indiqué. Si c'est le cas, le degré d'influence peut fortement augmenter au cours de l'utilisation.

Pour une estimation précise de l'influence vibratoire pendant un certain temps d'utilisation, il est recommandé de prendre aussi en considération les espaces de temps pendant lesquels l'appareil est éteint ou sous tension, mais pas vraiment utilisé. Ceci peut réduire considérablement l'influence vibratoire pendant toute la durée du travail.

Entretenez l'outil et ses accessoires en bon état. Gardez vos mains chaudes au cours de son utilisation – cela va diminuer les conséquences négatives lorsque vous travaillez à des hauts degrés de vibrations.

Les poussières de matériaux tels que peintures contenant du plomb, certains bois, minéraux ou métaux, peuvent être nuisibles à la santé. Toucher ou aspirer les poussières peut entraîner des réactions allergiques et/ou des maladies respiratoires auprès de l'utilisateur ou de personnes se trouvant à proximité.

Certaines poussières telles que les poussières de chêne ou de hêtre sont considérées cancérigènes, surtout en connexion avec des additifs pour le traitement de bois (chromate, lazure). Les matériaux contenant de l'amiante ne doivent être travaillés que par des personnes qualifiées.

- Si possible, utilisez une aspiration des poussières.
- Afin d'atteindre un haut degré d'aspiration de la poussière, lors du travail avec cet outil électroportatif utilisez un aspirateur spécialement adapté pour l'aspiration de poussière de bois ou pour l'aspiration de poussière de bois et/ou poussière de minéraux.
- Veillez à bien aérer la zone de travail.
- Il est recommandé de porter un masque respiratoire de la classe de filtre P2.

Respectez les règlements en vigueur dans votre pays spécifiques aux matériaux à traiter.

Avertissements de sécurité généraux pour l'outil



AVERTISSEMENT! Lire tous les avertissements de sécurité et toutes les instructions. Ne pas suivre les avertissements et instructions peut donner lieu à un choc électrique, un incendie et/ou une blessure sérieuse.

Conservé tous les avertissements et toutes les instructions pour pouvoir s'y reporter ultérieurement.

Le terme «outil» dans les avertissements fait référence à votre outil électrique alimenté par le secteur (avec cordon d'alimentation) ou votre outil fonctionnant sur batterie (sans cordon d'alimentation).

1. SÉCURITÉ DE LA ZONE DE TRAVAIL

- Conservé la zone de travail propre et bien éclairée. Les zones en désordre ou sombres sont propices aux accidents.
- Ne pas faire fonctionner les outils électriques en atmosphère explosive, par exemple en présence de liquides inflammables, de gaz ou de poussières. Les outils électriques produisent des étincelles qui peuvent enflammer les poussières ou les fumées.
- Maintenir les enfants et les personnes présentes à l'écart pendant l'utilisation de l'outil. Les distractions peuvent vous faire perdre le contrôle de l'outil.

2. SÉCURITÉ ÉLECTRIQUE

- Il faut que les fiches de l'outil électrique soient adaptées au socle. Ne jamais modifier la fiche de quelque façon que ce soit. Ne pas utiliser d'adaptateurs avec des outils à branchement de terre. Des fiches non modifiées et des socles adaptés réduiront le risque de choc électrique.
- Éviter tout contact du corps avec des surfaces reliées à la terre telles que les tuyaux, les radiateurs, les cuisinières et les réfrigérateurs. Il existe un risque accru de choc électrique si votre corps est relié à la terre.
- Ne pas exposer les outils à la pluie ou à des conditions humides. La pénétration d'eau à l'intérieur d'un outil augmentera le risque de choc électrique.
- Ne pas maltraiter le cordon. Ne jamais utiliser le cordon pour porter, tirer ou débrancher l'outil. Maintenir le cordon à l'écart de la chaleur, du lubrifiant, des arêtes ou des parties en mouvement. Des cordons endommagés ou emmêlés augmentent le risque de choc électrique.
- Lorsqu'on utilise un outil à l'extérieur, utiliser un prolongateur adapté à l'utilisation extérieure. L'utilisation d'un cordon adapté à l'utilisation extérieure réduit le risque de choc électrique.
- Si l'usage d'un outil dans un emplacement humide est inévitable, utiliser une alimentation

protégée par un dispositif à courant différentiel résiduel (RCD). L'usage d'un RCD réduit le risque de choc électrique.

3. SÉCURITÉ DES PERSONNES

- Rester vigilant, regarder ce que vous êtes en train de faire et faire preuve de bon sens dans votre utilisation de l'outil. Ne pas utiliser un outil lorsque vous êtes fatigué ou sous l'emprise de drogues, d'alcool ou de médicaments. Un moment d'inattention en cours d'utilisation d'un outil peut entraîner des blessures graves des personnes.
- Utiliser un équipement de sécurité. Toujours porter une protection pour les yeux. Les équipements de sécurité tels que les masques contre les poussières, les chaussures de sécurité antidérapantes, les casques ou les protections acoustiques utilisés pour les conditions appropriées réduiront les blessures de personnes.
- Éviter tout démarrage intempestif. S'assurer que l'interrupteur est en position arrêt avant de brancher l'outil au secteur et/ou au bloc de batteries, de le ramasser ou de le porter. Porter les outils en ayant le doigt sur l'interrupteur ou brancher des outils dont l'interrupteur est en position marche est source d'accidents.
- Rétirer toute clé de réglage avant de mettre l'outil en marche. Une clé laissée fixée sur une partie tournante de l'outil peut donner lieu à des blessures de personnes.
- Ne pas se précipiter. Garder une position et un équilibre adaptés à tout moment. Cela permet un meilleur contrôle de l'outil dans des situations inattendues.
- S'habiller de manière adaptée. Ne pas porter de vêtements amples ou de bijoux. Garder les cheveux, les vêtements et les gants à distance des parties en mouvement. Des vêtements amples, des bijoux ou les cheveux longs peuvent être pris dans des parties en mouvement.
- Si des dispositifs sont fournis pour le raccordement d'équipements pour l'extraction et la récupération des poussières, s'assurer qu'ils sont connectés et correctement utilisés. Utiliser des collecteurs de poussière peut réduire les risques dus aux poussières.

4. UTILISATION ET ENTRETIEN DE L'OUTIL

- Ne pas forcer l'outil. Utiliser l'outil adapté à votre application. L'outil adapté réalisera mieux le travail et de manière plus sûre au régime pour lequel il a été construit.
- Ne pas utiliser l'outil si l'interrupteur ne permet pas de passer de l'état de marche à arrêt et vice versa. Tout outil qui ne peut pas être commandé par l'interrupteur est dangereux et il faut le réparer.
- Débrancher la fiche de la source d'alimentation en courant et/ou le bloc de batteries de l'outil avant tout réglage, changement d'accessoires ou avant de ranger l'outil. De telles mesures de sécurité préventives réduisent le risque de démarrage accidentel de l'outil.
- Conservé les outils à l'arrêt hors de la portée des enfants et ne pas permettre à des personnes ne connaissant pas l'outil ou les présentes instructions de le faire fonctionner. Les outils sont dangereux entre les mains d'utilisateurs novices.
- Observer la maintenance de l'outil. Vérifier qu'il

n'y a pas de mauvais alignement ou de blocage des parties mobiles, des pièces cassées ou toute autre condition pouvant affecter le fonctionnement de l'outil. En cas de dommages, faire réparer l'outil avant de l'utiliser. *De nombreux accidents sont dus à des outils mal entretenus.*

- f) **Garder affûtés et propres les outils permettant de couper.** *Des outils destinés à couper correctement entretenus avec des pièces coupantes tranchantes sont moins susceptibles de bloquer et sont plus faciles à contrôler.*
- g) **Utiliser l'outil, les accessoires et les lames etc., conformément à ces instructions, en tenant compte des conditions de travail et du travail à réaliser.** *L'utilisation de l'outil pour des opérations différentes de celles prévues pourrait donner lieu à des situations dangereuses.*

5. MAINTENANCE ET ENTRETIEN

- a) **Faire entretenir l'outil par un réparateur qualifié utilisant uniquement des pièces de rechange identiques.** *Cela assurera que la sécurité de l'outil est maintenue.*

Avertissements de sécurité de la perceuse



Pendant le travail prolongé utiliser des moyens de protection de l'ouïe. *Le bruit intensif de la machine peut provoquer des lésions de l'ouïe.*

- **Utiliser le boîtier du réducteur comme une poignée supplémentaire.** *La perte du contrôle peut provoquer un accident.*



Pendant le travail utiliser des moyens de protection des yeux pour vous protéger des particules volantes. *Porter des lunettes de protection.*



Prévoir des précautions contre le risque d'aspiration de poussière. *Les matériaux percés peuvent contenir des composants toxiques. Porter un masque anti-poussière. Si possible, brancher sur la machine un système d'évacuation de poussière.*

- **Tenir l'outil uniquement par les surfaces de préhension isolantes, pendant les opérations au cours desquelles l'accessoire coupant peut être en contact avec des conducteurs cachés ou avec son propre câble.** *Le contact de l'accessoire coupant avec un fil „sous tension” peut également mettre „sous tension” les parties métalliques exposées de l'outil électrique et provoquer un choc électrique sur l'opérateur.*
- **Ne jamais percer des matériaux contenant de l'asbeste.** *L'asbeste est considéré agent cancérogène.*



AVERTISSEMENT: Avant de brancher l'alimentation de la machine vérifier la conformité de la tension du réseau avec les données indiquées sur le tableau signalétique de la machine.

- Le branchement sur une source dont la tension d'alimentation est plus haute que la tension recommandée pour la machine peut provoquer un électrochoc subi par l'opérateur ainsi que la détérioration de la machine.

- En cas de doute ne pas brancher la fiche de la machine dans la prise.
- Le branchement sur une source dont la tension d'alimentation est plus basse que la tension recommandée pour la machine peut provoquer l'endommagement du moteur.
- Afin d'éviter une surchauffe éventuelle dérouler complètement le câble de rallonge à tambour.
- Si l'utilisation d'une rallonge est nécessaire, vérifier si la section des fils est suffisante pour le courant absorbé par la machine ainsi que le bon état de la rallonge.



AVERTISSEMENT: Avant tout travail de réglage, révision ou maintenance arrêter la machine et retirer la fiche de la prise.

- Pendant le travail tenir la machine fermement par deux mains en maintenant une position stable du corps. La machine sera guidée plus sûrement en la tenant par deux mains.
- Avant de commencer le travail vérifier avec un détecteur approprié la présence des canalisations électriques et conduites d'eau et gaz sous crêpi ou consulter les services compétents. Le contact du foret avec un fil sous tension peut provoquer incendie et électrochoc. La rupture d'une conduite de gaz peut entraîner le risque d'explosion. La rupture d'une conduite d'eau peut provoquer l'endommagement du matériel et risque d'électrochoc.
- Le câble d'alimentation doit se trouver toujours hors de la zone de travail de la machine.
- Ne pas utiliser la machine si le câble d'alimentation est endommagé. Si le câble sera endommagé pendant le travail, ne pas toucher le câble et retirer la fiche de la prise. Les câbles défectueux entraînent des risques d'électrochoc.
- Maintenir toujours une position stable du corps. Si on travaille sur une plateforme élevée, vérifier qu'il n'y a personne en dessous.
- Fixer le détail percé en étai ou par un autre dispositif approprié.
- Faire attention lors de démarrage de la machine ou le blocage du foret afin de maîtriser le moment d'inertie.
- Ne pas toucher le foret ou le détail usinée aussitôt après le travail. Vous risquez des brûlures suite de leur température élevée.
- La place de travail doit être maintenue en état propre. Éviter surtout de mélanger les poussières des matériaux différents – c'est dangereux.
- La poussière des métaux légers peut provoquer une incendie ou explosion.
- Ne jamais laisser traîner des chiffons, étoupe ou fils près de la zone de travail.
- Arrêter la machine avant de la laisser à coté.
- La machine ne doit être utilisée que pour les opérations prescrites. Toute utilisation différant des opérations décrites en ce manuel sera considérée utilisation abusive. Le fabricant décline toute responsabilité pour des dommages et blessures provoqués par une

utilisation abusive.

- Afin de garantir l'exploitation correcte de la machine, il faut observer les consignes de sécurité, les instructions générales et les indications données dans ce manuel. Tous les opérateurs doivent connaître les instructions d'exploitation et les risques potentiels accompagnant le travail avec la machine. Des enfants et personnes faibles ne doivent pas être laissés travailler avec la machine. Les enfants en proximité de la zone de travail doivent être sous une surveillance permanente. Prendre toutes les mesures appropriées préventives de sécurité et observer les règles professionnelles de santé et sécurité.
- Le fabricant décline toute responsabilité pour toute modification de la machine faite par le client ainsi que pour des dommages provoqués par des modifications pareilles.
- La machine ne doit pas être utilisée sur le ciel ouvert pendant la pluie, en milieu humide (après la pluie) ou en proximité des liquides et gazes inflammables. La zone de travail doit être bien illuminée.

Connaître l'outil électroportatif

Avant de commencer le travail avec la machine il faut connaître tous les spécificités d'exploitation et les consignes de sécurité.

Utiliser la machine et ses accessoires conformément à leur destination. Toute autre utilisation est interdite.

1. Vis de sécurité
2. Mandrin à serrage rapide
3. Zone de fixation de la broche
4. Accessoire pour suspension
5. Oûtes de ventilation
6. Inverseur du sens de rotation
7. Variateur électronique de la vitesse
8. Interrupteur
9. Bouton de blocage de l'interrupteur
10. Carter d'engrenage en métal

Consignes de travail

Votre outil électroportatif est alimenté par un courant alternatif monophasé. Il peut être branché dans des prises sans bornes à terre grâce à sa double isolation selon les normes EN 60745 et IEC 60745. Pour ce qui est des interférences radio, il est conforme aux la directive sur la compatibilité électromagnétique 2004/108/EC.

Votre perceuse est conçue pour percer des ouvertures dans l'acier, le bois, le plastique etc.

SE PRÉPARER AU TRAVAIL



AVERTISSEMENT: Vérifier si la tension du réseau électrique correspond à la tension indiquée sur le tableau des caractéristiques de l'appareil électrique.

- Vérifier la position de l'interrupteur. L'outil doit être branché et débranché uniquement à interrupteur en position ARRÊT. Si l'outil est branché au secteur quand l'interrupteur est en position MARCHÉ, il se mettra en marche immédiatement ce qui prédispose à des accidents.
- S'assurer du bon état du fil d'alimentation et de la fiche. Si le fil d'alimentation est endommagé il devra être remplacé par le producteur ou par un service après-vente agréé, pour éviter les dangers d'un remplacement mal effectué.



AVERTISSEMENT: Avant de commencer le travail vérifier obligatoirement la direction de rotation du mandrin. Ne pas actionner le levier de reversement que si l'arbre est complètement arrêté. Toute tentative de reverser la rotation de l'arbre avant son arrêt peut provoquer la détérioration de la machine.

METTRE EN PLACE ET RETIRER LE FORET ET L'EMBOUT



AVERTISSEMENT: Arrêter toujours l'outil et retirer la fiche du secteur avant toute manipulation.

Saisir le collier du mandrin (l'anneau postérieur) et tourner le corps du mandrin (l'anneau antérieur) de façon à que les mors du mandrin s'ouvrent et laissent entrer librement le foret ou l'embout. Ensuite serrer à la main l'anneau antérieur.

MISE EN MARCHÉ – ARRÊT

Travail de courte durée:

- Mise en marche: interrupteur (8) est appuyé.
- Arrêt: interrupteur (8) est relâché.

Travail continu:

- Mise en marche: interrupteur (8) est appuyé et bloqué en cette position avec le bouton (9).
- Arrêt: interrupteur (8) est appuyé une seule fois et relâché de suite.



AVERTISSEMENT: Avant de brancher la fiche au secteur toujours vérifier que l'interrupteur (8) peut être actionné et que relâché il retourne en position ARRÊT.

RÉGLAGE DE LA VITESSE SANS DEGRÉS

Appuyer légèrement sur l'interrupteur (8) pour mettre en marche l'outil à lente vitesse, celle-ci atteindra son maximum en augmentant la pression sur l'interrupteur et en l'enfonçant jusqu'au bout.

RÉGLER LA VITESSE

Le réglage de la vitesse se fait à travers le variateur électronique (7) dans le sens des aiguilles d'une montre ou dans le sens contraire.

INVERSER LE SENS DE ROTATION

La position de gauche de l'inverseur de rotation (6) signifie une rotation dans le sens opposé d'une montre et la position de droite – dans le sens des aiguilles.

En appuyant sur l'interrupteur (8) l'inverseur de rotation (6) ne peut être déplacé. Le changement du sens de rotation doit être fait uniquement à perceuse en repos.

VISSER ET DÉVISSER DES BOULONS, DES VIS ET DES ÉCROUS

Comme décrit ci-dessus le mandrin (2) reçoit l'accessoire approprié pour visser ou dévisser des boulons, des écrous ou des vis. Avec l'inverseur de rotation (6) l'on choisit de visser ou de dévisser. Ces opérations ne sont à effectuer qu'à vitesse basse.



AVERTISSEMENT: Lors du vissage de boulons ou de vis longs faire attention au glissement possible de la perceuse.

RETRAIT DU MANDRIN

Tenir le collier du mandrin (l'anneau postérieur) et tourner le corps du mandrin (l'anneau antérieur) jusqu'à ce que les mors du mandrin s'ouvrent complètement.

À l'aide d'un tournevis dévisser la vis de sécurité avec filetage à gauche. Introduire dans le mandrin un embout à six pans ou l'accessoire pour vissage de vis et visser. La zone de fixation de la broche (3) est prise avec une clé et le mandrin est tourné dans le sens contraire des aiguilles d'une montre par le bout libre de l'embout.

RECOMMANDATIONS LORS DU TRAVAIL AVEC LA PERCEUSE

Percer à une vitesse inférieure à la maximale en tenant compte du matériel traité.

Utiliser des forets à queue cylindrique.

Tenir compte du degré d'émoussement du foret et le changer en cas d'un rendement fortement diminué.

En perçant une ouverture de plus grand diamètre dans du métal, du bois ou du plastique, percer d'abord une ouverture avec un foret de moindre diamètre.

ACCESSOIRES À UTILISER AVEC CET OUTIL ÉLECTROPORTATIF

- Forets pour acier avec diamètre de $\varnothing 0,8$ mm à $\varnothing 10$ mm.
- Forets pour bois avec diamètre de $\varnothing 0,8$ mm à $\varnothing 20$ mm
- Embouts à six pans 6.35 mm (1/4") pour visser les vis.

Entretien



AVERTISSEMENT: Toujours arrêter l'outil et retirer la fiche du secteur avant toute vérification ou entretien de l'outil électroportatif.

CHANGER LES BALAIS

Quand les balais sont usés, tous les deux devront être

changés en même temps avec des balais d'origine dans un service après-vente agréé SPARKY.

EXAMEN GENERAL

Vérifiez régulièrement tous les éléments de fixation pour vous assurer qu'ils sont solidement serrés. Si quelque vis s'est desserrée, resserrez-la immédiatement afin d'éviter tout risque.

Si le câble d'alimentation est endommagé, il doit être remplacé par le producteur ou un spécialiste agréé par celui-ci afin d'éviter les éventuels risques liés à son remplacement.

NETTOYAGE

Pour assurer la sécurité de travail entretenir l'outil propre et les ouïes de ventilation dégagées (5).

Le moteur électrique en marche chasser les saletés et la poussière de tous les ouïes de ventilation avec de l'air sec comprimé au moins une fois par semaine.

Le port de protection oculaire lors de cette opération est obligatoire. Les parties extérieures en plastique peuvent être nettoyées avec un chiffon humide et un détergent à action faible.



AVERTISSEMENT: Bien que les parties extérieures en plastique soient résistantes aux solvants il est interdit d'utiliser des solvants pour les nettoyer!

IMPORTANT! Pour assurer la sécurité de travail avec la machine ainsi que sa fiabilité, toute réparation, entretien ou réglage (y compris le contrôle et l'échange des balais) doivent être effectués dans les services après-vente agréés de SPARKY en utilisant uniquement des pièces d'origine.

Garantie

La période de garantie des outils électroportatifs SPARKY est définie dans le contrat de garantie.

La garantie ne couvre pas les pannes apparues suite à l'usure naturelle, une surcharge ou une mauvaise exploitation.

Les pannes survenues pour cause de matériaux défectifs et/ou d'erreurs de fabrication seront réparées gratuitement ou le produit sera échangé.

Les réclamations pour un instrument SPARKY défectueux seront honorées si la machine est retournée au livreur ou est présentée à un service après-vente agréé assemblé et dans son état original (assemblée).

Note

Lisez attentivement toute cette instruction d'utilisation avant de commencer à devoir servir de l'outil.

Le fabricant ne se défait pas du droit d'introduire des améliorations et des changements dans ses produits ainsi que de changer les spécifications sans avis préalable.

Les spécifications peuvent différer selon les pays.

Indice

Introduzione	23
Dati tecnici	25
Avvertenze di sicurezza.....	26
Istruzioni supplementari di sicurezza nel lavoro con trapani	27
Prendere visione dell'elettrotroutensile.....	A/28
Istruzioni per l'uso.....	28
Manutenzione	29
Garanzia.....	29

PRIMA DELL'USO

Prima dell'uso verificare la presenza di tutti i componenti e degli accessori elencati. In caso di mancanze o apparenti difetti rivolgersi al rivenditore specializzato. L'inosservanza di tale raccomandazione potrebbe provocare gravi incidenti.

ASSEMBLAGGIO

Il trapano viene fornito imballato e completamente montato.

Introduzione

Questo utensile SPARKY supererà le Vostre aspettative. La produzione secondo i rigorosi standard di qualità SPARKY assicura un'ottima prestazione. Se utilizzato correttamente, l'utensile risulterà maneggevole e sicuro, e garantirà un uso duraturo.



AVVERTENZA:

Leggere attentamente tutte le istruzioni prima dell'utilizzo dell'utensile. Leggere con cura soprattutto le parti introdotte da "Attenzione!". Questo utensile SPARKY presenta numerose caratteristiche che faciliteranno il Suo lavoro. Sicurezza, qualità ed affidabilità sono punti chiave nello sviluppo di questo utensile, e lo rendono semplice nell'uso e nella manutenzione.



Non smaltire elettrotroutensili insieme a rifiuti domestici!

Residui di prodotti elettrici devono essere smaltiti separatamente dai rifiuti domestici e sottoposti ad un riciclaggio ecologico. Si prega di informarsi presso le autorità locali o i rivenditori specializzati circa il più vicino luogo di raccolta.

RISPETTO DELL'AMBIENTE



Macchina, accessori ed imballaggio devono essere destinati ad una riutilizzo ecologica per il recupero di materie prime.

I componenti in plastica sono contrassegnati per relativo riciclaggio.

SIMBOLI

L'etichetta che si trova sulla macchina contiene alcuni simboli. Questi forniscono importanti informazioni sull'utensile o istruzioni sull'uso dello stesso.



Doppio isolamento per una protezione supplementare



Elettronica per la preselezione dei giri



Inversione



Corrisponde alle direttive europee applicabili



Conforme alle esigenze dei documenti normativi russi



Conforme alle esigenze dei documenti normativi ucraini



Prendere conoscenza delle istruzioni per l'uso


YYYY-Www

Periodo di produzione, ove i simboli variabili sono:
YYYY – l'anno di produzione, **ww** – la settimana di calendario consecutiva

BR

TRAPANO

Dati tecnici

Modello:	BR 100E	BR 101E
▪ Potenza assorbita:	350 W	500 W
▪ Numero di giri a vuoto:	0–3000 min ⁻¹	0–3000 min ⁻¹
▪ Regolazione elettronica dei giri:	Si	Si
▪ Inversione del senso di rotazione:	Si	Si
▪ Portata del mandrino:	0,8–10 mm	0,8–10 mm
▪ Diametro massimo della punta per acciaio / legno:	10 / 20 mm	10 / 20 mm
▪ Peso (procedura EPTA 1/2003):	1,2 kg	1,5 kg
▪ Classe di protezione 	II	II

Informazioni sul rumore e sulle vibrazioni

▪ **Emissione acustica** (I valori sono stati misurati secondo la norma EN 60745):

A-livello di pressione sonora ponderata L _{PA}	82 dB(A)	83 dB(A)
Indeterminazione K _{PA}	3 dB	3 dB
A-livello di potenza sonora ponderata L _{WA}	93 dB(A)	94 dB(A)
Indeterminazione K _{WA}	3 dB	3 dB



Usare mezzi per protezione dal rumore!

▪ **Emissione di vibrazioni** (secondo il punto 6.2.7 della norma EN 60745-1):

valore totale delle vibrazioni (somma vettoriale lungo i tre assi), determinata secondo la norma EN 60745

▪ Fori in acciaio:

Valore delle vibrazioni emesse ah,D	<2,5 m/s ²	<2,5 m/s ²
Indeterminazione KD	1,5 m/s ²	1,5 m/s ²

Il livello di vibrazione sopra indicato è stato definito seguendo il metodo di misurazione riportato nella normativa EN 60745 e può essere utilizzato per confrontare tra di loro diversi elettroutensili. Inoltre è adatto per effettuare una stima provvisoria del livello di esposizione.

Il livello di vibrazione si riferisce alle modalità d'uso principali dell'utensile. Tuttavia, se utilizzato per scopi diversi da quelli previsti, con punte poco stabili o senza adeguata manutenzione, il livello di vibrazione può variare. Ciò può aumentare sensibilmente il livello di esposizione durante il lavoro.

Per una precisa definizione del livello di esposizione dovrebbe essere preso in considerazione anche l'arco di tempo in cui l'utensile è spento o funzionante ma non in uso. Ciò può ridurre sostanzialmente il livello di esposizione durante il lavoro.

Utilizzare l'utensile e gli accessori con cura, e maneggiarlo/mantenendolo-le mani calde così da ridurre gli effetti dannosi dell'elevato livello di vibrazioni.

Polvere derivante da materiali come vernici contenenti particelle di piombo, alcuni tipi di legno, minerali e metallo potrebbe essere nociva. Il contatto o l'inalazione di tali polveri potrebbe causare reazioni allergiche e/o problemi al sistema respiratorio dell'utente o di terzi.

Talune tipologie di polveri, come ad esempio quella derivante da legno di quercia o faggio, soprattutto se trattati con additivi e conservanti, sono classificate come cancerogene. Si consiglia di fare trattare materiali contenenti asbesto solo a persone esperte.

- Se possibile collegare sempre la macchina ad un dispositivo di aspirazione.
- Per garantire un'area di lavoro pulita utilizzare un aspirapolvere per trucioli e/o minerali insieme all'utensile.
- Tenere l'area di lavoro ben pulita e ventilata.
- Si consiglia l'uso di una mascherina o filtro di classe P2.

Osservare le direttive nazionali relative al materiale da lavorare.

Avvertenze di sicurezza



ATTENZIONE! Leggere tutte le istruzioni d'uso e le avvertenze di sicurezza. L'inosservanza delle istruzioni seguenti può causare folgorazioni, incendi e/o gravi danni a persone.

Conservare con cura queste istruzioni.

Il termine "utensile" in tutte le avvertenze successive si riferisce sia agli utensili collegati alla rete elettrica (con cavo di alimentazione) che agli utensili a batteria (senza cavo).

1. AREA DI LAVORO

- Mantenere l'area di lavoro pulita e ben illuminata. Le zone buie ed ingombre di oggetti favoriscono incidenti.
- Non utilizzare l'utensile in presenza di liquidi infiammabili, gas o polvere. Le scintille generate potrebbero infiammare polvere e/o vapore.
- Tenere a distanza bambini e terzi durante il funzionamento. Per una distrazione potreste perdere il controllo dell'utensile.

2. SICUREZZA ELETTRICA

- La spina dell'utensile deve essere adatta alla presa utilizzata. Non modificare la spina in alcun modo. Non utilizzare adattatori con gli utensili collegati a terra. L'impiego di una spina integra ed una presa adatta riduce i rischi di folgorazione.
- Evitare di toccare con il corpo le superfici collegate a terra quali tubi, radiatori, forni e frigoriferi. Il rischio di folgorazione aumenta se il corpo è collegato a terra.
- Non esporre l'utensile alla pioggia e all'umidità. La penetrazione d'acqua nell'utensile aumenta il rischio di folgorazione.
- Non utilizzare il cavo per scopi diversi da quello previsto. Non utilizzare il cavo per trasportare o tirare l'utensile, oppure per staccare la spina dalla presa. Tenere il cavo lontano da fonti di calore, olio, parti appuntite o in movimento. Cavi danneggiati o attorcigliati aumentano il rischio di folgorazione.
- Se l'utensile viene utilizzato all'aperto, usare una prolunga adatta all'uso esterno. L'impiego di una prolunga da esterno reduce il rischio di folgorazione.
- Se il lavoro in un ambiente umido è strettamente necessario, utilizzare una presa protetta da dispositivo a corrente residua. Ciò reduce i rischi di scosse.

3. SICUREZZA PERSONALE

- L'uso di elettrooutensili richiede attenzione e buon senso. Non utilizzare gli utensili se si è stanchi o sotto l'effetto di droghe, alcol o medicinali. Una breve disattenzione può provocare gravi danni alle persone.
- Munirsi di indumenti e dispositivi di protezione. Indossare sempre occhiali da lavoro. L'uso di dispositivi di protezione tra cui mascherina antipolvere, scarpe antiscivolo, casco e protezioni per l'udito riduce il rischio di danni a persone.
- Evitare l'accensione accidentale. Accertarsi che l'interruttore sia in posizione "OFF" prima di in-

serire la spina. Se si trasportano gli utensili con il dito sull'interruttore o si inserisce la spina nella presa con l'interruttore in posizione "ON" aumenta il rischio di incidenti.

- Togliere tutte le chiavi di regolazione prima di accendere l'utensile. Una chiave lasciata inserita in una parte rotante di un utensile può provocare danni a persone.
- Non utilizzare l'utensile in condizioni estreme. Mantenere sempre l'equilibrio ed i piedi ben appoggiati a terra. Questo consente un maggior controllo dell'utensile in caso di imprevisti.
- Indossare un abbigliamento adeguato. Non indossare abiti svolazzanti o gioielli. Tenere capelli, vestiti, e guanti lontani dalle parti in movimento. Abiti svolazzanti, gioielli o capelli potrebbero impigliarsi nelle parti in movimento.
- In presenza di apparecchiature per il collegamento a dispositivi di aspirazione e raccolta delle polveri, accertarsi che essi siano collegati ed utilizzarli correttamente. L'uso di queste apparecchiature può ridurre i rischi causati dalla polvere.

4. USO E MANUTENZIONE DELL'UTENSILE

- Utilizzare l'utensile più adatto per il lavoro da svolgere. L'impiego dell'utensile giusto migliora la qualità del lavoro e la sicurezza.
- Non utilizzare l'utensile se non è possibile accenderlo e spegnerlo con l'apposito interruttore. Gli utensili che non possono essere controllati con l'interruttore sono pericolosi e devono essere riparati.
- Staccare la spina dall'alimentazione di corrente prima di eseguire regolazioni, cambiare accessori o riporre l'utensile. Osservando queste precauzioni si riduce il rischio di accensione accidentale dell'utensile.
- Riporre gli utensili non utilizzati fuori dalla portata dei bambini e non consentirne l'utilizzo a persone che non conoscono l'utensile o queste istruzioni. Nelle mani di persone inesperte gli utensili possono diventare pericolosi.
- Sottoporre l'utensile a manutenzione. Verificare il corretto allineamento di tutte le parti mobili, controllare che non siano grippate e che non vi siano rotture o altri guasti che potrebbero influire sul funzionamento dell'utensile. Far riparare gli utensili danneggiati prima di riutilizzarli. Molti incidenti sono causati da utensili in pessime condizioni.
- Tenere le punte e gli strumenti da taglio puliti ed affilati. Se sottoposti ad una regolare manutenzione e pulizia consentono di lavorare in modo più preciso e sono maggiormente controllabili.
- Utilizzare l'utensile, gli accessori, gli attrezzi etc. secondo quanto indicato in queste istruzioni nonché tenendo in considerazione le condizioni di lavoro e il lavoro da eseguire. L'impiego di utensili per scopi diversi da quelli per cui sono stati progettati può dare origine a situazioni pericolose.

5. MANUTENZIONE

- Far riparare l'utensile da personale qualificato che utilizzi solo parti di ricambio originali. In caso contrario la sicurezza dell'utensile potrebbe risultare compromessa.

Istruzioni supplementari di sicurezza nel lavoro con trapani



Usare mezzi per protezione dell'udito. *Il rumore intenso durante il lavoro può provocare danni all'udito.*

- **Utilizzare l'impugnatura supplementare fornita in dotazione.** *La perdita di controllo della macchina può causare gravi danni a persone e/o cose.*



Durante il lavoro usare mezzi di protezione della vista, per proteggersi da corpuscoli volanti. Indossare occhiali protettivi.



Prendere precauzioni contro l'inspirazione di polvere. Alcuni materiali possono contenere ingredienti tossici. Indossare maschera antipolvere. Usare depolverizzatore, se il suo fissaggio all'elettrotensile risulta possibile.

- **Quando si eseguono lavori in cui vi è pericolo che l'accessorio impiegato possa arrivare a toccare cavi elettrici nascosti oppure anche il cavo elettrico della macchina stessa, tenere l'elettrotensile afferrandolo sempre alle superfici di impugnatura isolate.** *Un contatto con un cavo elettrico mette sotto tensione anche le parti in metallo dell'elettrotensile e provoca quindi una scossa elettrica.*
- Non lavorare materiali contenenti amianto. L'amianto è considerato come una sostanza cancerogena.



AVVERTENZA: Prima di collegare l'elettrotensile alla rete di alimentazione, accertarsi che la tensione di alimentazione corrisponda a quella indicata sulla targhetta dati tecnici dell'elettrotensile.

- Una fonte di alimentazione dalla tensione superiore a quella indicata per l'elettrotensile, può causare sia una grave lesione di scossa elettrica all'operatore, sia un guasto all'elettrotensile.
- Se si ha qualsiasi esitazione, non innestare la spina dell'elettrotensile nella presa.
- L'uso di una fonte di alimentazione con tensione originale inferiore a quella indicata sulla targhetta dati tecnici dell'elettrotensile, danneggerà il motore elettrico.
- Per evitare l'eventuale surriscaldamento, svolgere sempre completamente il cavo di prolunga con rochetto.
- Quando si deve usare una prolunga, accertarsi che la sua sezione corrisponda alla corrente nominale dell'elettrotensile usato, nonché dello stato di efficienza della prolunga.



AVVERTENZA: Disinserire sempre l'elettrotensile e disinneare la spina dalla presa prima di effettuare qualsiasi regolazione, sistemazione o manutenzione.

- Nel lavorare tenere sempre la macchina saldamente con entrambe le mani e mantenere una posizione stabile del corpo. L'elettrotensile viene guidato con

maggiore sicurezza quando si afferra con entrambe le mani.

- Prima di cominciare il lavoro verificare con un metal detector appropriato, per la presenza di un nascosto impianto elettrico, una conduttura di gas o d'acqua, o cercare aiuto dai rispettivi uffici locali. Il contatto della punta con un impianto elettrico nascosto può provocare lesione da scossa elettrica. Il danneggiamento di una conduttura di gas può causare un'esplosione. La foratura di una conduttura d'acqua causerà danneggiamento a proprietà, o lesione da scossa elettrica.
- Tenere il cavo di alimentazione fuori dal raggio operativo della macchina.
- Non usare l'elettrotensile con il cavo danneggiato. Non toccare il cavo danneggiato ed estrarre la spina dalla presa se il cavo si guasta durante il lavoro. I cavi danneggiati aumentano il rischio di scossa elettrica.
- Mantenere sempre stabile la posizione del corpo. Nel lavorare con l'elettrotensile in quota accertarsi che non ci sia nessuno di sotto.
- Fissare il pezzo da lavorare in una morsa o in qualche altro modo conveniente.
- Sorvegliare il momento d'inerzia all'avviamento del trapano, o ad inceppamento della punta. Spegnerne subito l'elettrotensile se la punta si blocca. Stare all'erta per un'alta coppia reattiva, la quale può provocare contraccolpo. La punta si bloccherà se l'elettrotensile viene sovraccaricato, o se si inceppa nel materiale lavorato.
- Non toccare la punta o il pezzo da lavorare immediatamente dopo il lavoro. Essi potrebbero arroventarsi e causare ustione della pelle.
- Mantenere pulito il posto di lavoro. La mescolatura di polveri di diversi materiali è particolarmente pericolosa. La polvere di metalli leggeri può bruciare o esplodere.
- Non lasciare mai stracci, stoppa, conduttori o fili vicino al posto di lavoro.
- Spegnerne sempre la macchina prima di adagiarla in disparte.
- Usare l'elettrotensile soltanto secondo la sua destinazione d'uso. Qualsiasi altro impiego differente da quello descritto in questo manuale di istruzioni, sarà ritenuto impiego erroneo. La responsabilità per qualsiasi guasto o ferimento, causati da uso erroneo, cadrà sull'utente, e non sul fabbricante.
- Per sfruttare correttamente questo elettrotensile, si devono rispettare le regole di sicurezza, le istruzioni generali, e le istruzioni di funzionamento qui riportate. Tutti gli utenti devono conoscere queste istruzioni di servizio, ed essere informati dei potenziali rischi nel lavoro con l'elettrotensile. Bambini e persone fisicamente deboli non devono usare l'elettrotensile. I bambini devono stare sotto continua sorveglianza se si trovano vicino ad un luogo dove si lavora con l'elettrotensile. È obbligatorio prendere anche precauzioni di sicurezza. Lo stesso concerne pure l'osservanza delle regole principali relative alla salute e alla sicurezza professionale.
- Il fabbricante non sarà tenuto responsabile per modifiche apportate dall'utente all'elettrotensile, o per guasti causati da tali modifiche.
- Non usare l'elettrotensile all'aperto quando piove, in un ambiente umido (dopo una pioggia), o in vicinanza di liquidi o gas facilmente infiammabili. Mantenere il posto di lavoro ben illuminato.

Prendere visione dell'elettrotensile

Prima di cominciare a lavorare con l'elettrotensile, prendere conoscenza di tutte le particolarità operative e condizioni di sicurezza.

Impiegare l'elettrotensile e i suoi accessori unicamente secondo la destinazione d'uso. Ogni altro impiego è espressamente vietato.

1. Vite di fissaggio
2. Mandrino a serraggio rapido
3. Luogo per fissaggio del fuso
4. Dispositivo per attacco
5. Fori di ventilazione
6. Leva per inversione del senso di rotazione
7. Regolatore elettronico dei giri
8. Interruttore
9. Pulsante per bloccaggio dell'interruttore
10. Scatola ingranaggi

Istruzioni per l'uso

Questo elettrotensile viene alimentato soltanto di corrente alternata monofase. Avendo l'isolamento doppio conformemente all'EN 60745-1 e all'IEC 60745, esso si può innestare in prese senza piattine di massa. I disturbi radio corrispondono alla Direttiva di compatibilità elettromagnetica 2004/108/EC.

Questo elettrotensile è destinato a praticare fori in acciaio, legno, materie plastiche, ecc.

PRIMA DI COMINCIARE IL LAVORO



ATTENZIONE: Controllare che la tensione della rete elettrica corrisponda a quella indicata sulla targhetta dati tecnici dell'elettrotensile.

- Verificare in che posizione si trova l'interruttore. Innestare in e disinnestare l'elettrotensile dalla presa della rete soltanto ad interruttore disinserito. Se la spina viene innestata nella presa mentre l'interruttore è nella posizione inserita, l'elettrotensile si metterà subito in moto, cosa che potrebbe causare un infortunio.
- Accertarsi dello stato di efficienza del cordone d'alimentazione e della spina. Se il cordone è danneggiato, la sostituzione deve essere eseguita dal fabbricante o da un suo specialista di centro assistenza, per evitare i pericoli che risulterebbero in seguito alla sostituzione.



AVVERTENZA: Prima di cominciare il lavoro, verificare sempre il senso di rotazione. Usare la leva per inversione del senso di rotazione solo dopo che l'alberino abbia completamente smesso di girare. L'inversione del senso di rotazione prima della completa cessione di rotazione dell'alberino può danneggiare l'elettrotensile.

METTERE/TOGLIERE LA PUNTA E L'INSERTO



ATTENZIONE: Spegnerne sempre l'elettrotensile e disinnestare la spina dalla presa prima di fare qualsiasi lavoro su di esso.

Tenere la corona posteriore del mandrino e girare la corona anteriore finché il mandrino sia aperto abbastanza, per mettervi la punta o l'inserto. Stringere quindi a mano la corona anteriore.

AVVIAMENTO / ARRESTO

Messa a moto per breve tempo:

- Avviamento: Premere l'interruttore (8).
- Arresto: Rilasciare l'interruttore (8).

Lavoro continuativo:

- Avviamento: Premere l'interruttore (8) e, tenendolo premuto, bloccarlo con il pulsante (9).
- Arresto: Premere l'interruttore (8) una sola volta e rilasciarlo subito.



ATTENZIONE: Prima di innestare la spina nella presa, verificare sempre se l'interruttore (8) si può avviare e dopo il rilascio può ritornare alla posizione disinserita.

REGOLAZIONE ELETTRONICA CONTINUA DEI GIRI

La lieve pressione sull'interruttore (8) mette a moto il trapano a basso numero di giri, il quale aumenta dolcemente fino a quello massimo, incrementando la pressione sull'interruttore, fino a raggiungere la posizione estrema.

SCelta DEI GIRI

I giri necessari vengono scelti rotando il regolatore elettronico (7) in senso orario o antiorario.

INVERSIONE DEL SENSO DI ROTAZIONE

L'estrema posizione a destra della leva (6) significa rotazione in senso orario, e l'estrema posizione a sinistra – in senso antiorario.

Premendo l'interruttore (8), la leva (6) non può essere azionata. L'inversione del senso di rotazione va effettuata soltanto con il trapano a riposo.

AVVITARE E SVITARE BULLONI, VITI E DADI

Montare nel mandrino (2) nel modo descritto qui sopra il rispettivo dispositivo per avvitare o svitare bulloni, dadi o viti. Scegliere con la leva (6) per l'inversione del senso di rotazione l'operazione di svitare o avvitare. Le operazioni vanno eseguite soltanto a basso numero di giri.



ATTENZIONE: Nell'avvitare lunghi bulloni o viti esiste il pericolo di slittamento del trapano.

SMONTAGGIO DEL MANDRINO

Tenere la corona posteriore del mandrino e girare la corona anteriore, finché il mandrino si apra completamente.

Allentare con l'aiuto di un cacciavite la vite di fissaggio con filettatura sinistra. Mettere nel mandrino un inserto esagonale, o il dispositivo per avvitare viti, e serrare. Tenere il luogo per fissaggio del fuso (3) con una chiave, e girare il mandrino in senso antiorario, mediante l'estremità libera dell'inserto.

CONSIGLI NEL LAVORO CON IL TRAPANO

Forare a giri inferiori ai massimi, scegliendo il numero di giri a seconda del materiale.

Usare punte con codolo cilindrico. Tirare di tanto in tanto la punta dal foro, per portare via la polvere.

Sorvegliare il grado di smussamento della punta e sostituirla quando si nota un considerevole ribasso della produzione.

Nel praticare un foro di grosso diametro in metallo, legno o materia plastica, fare in anticipo un foro con una punta più piccola.

ACCESSORI CHE POSSONO ESSERE USATI CON QUESTO ELETTROUTENSILE

- Punta per metallo con diametro da $\varnothing 0,8$ a $\varnothing 10$ mm.
- Punta per legno con diametro da $\varnothing 0,8$ a $\varnothing 20$ mm.
- Inserti con esaedro di fissaggio 6,35 mm (1/4") per serrare viti.



AVVERTENZA: Per il lavoro con questo elettROUTENSILE si consigliano gli accessori o dispositivi di cui sopra. L'uso di accessori o dispositivi differenti da quelli indicati, comporta infortunio sul lavoro. Usare accessori o dispositivi soltanto per la destinazione d'uso. Se ci vogliono ulteriori informazioni relative a tali accessori, rivolgersi al locale centro assistenza tecnica della SPARKY.

Manutenzione



ATTENZIONE: Disinserire sempre l'elettROUTENSILE e staccare la spina dalla presa prima di effettuare qualsiasi controllo o manutenzione.

SOSTITUZIONE DELLE SPAZZOLE

Quando le spazzole diventano logore, ambedue le spazzole vanno sostituite contemporaneamente con spazzole originali in un centro assistenza tecnica SPARKY per manutenzione in o fuori garanzia.

VERIFICA GENERALE

Verificare regolarmente tutti gli elementi di fissaggio e accertarsi che siano ben stretti. In caso che qualche vite si sia allentata, stringerla subito, per evitare situazioni di rischio.

Se il cavo di alimentazione viene danneggiato, la sostituzione va effettuata dal fabbricante o da un suo specialista di centro assistenza, per evitare i pericoli della sostituzione.

PULIZIA

Per un esercizio sicuro mantenere sempre puliti l'apparecchio e i fori di ventilazione (6).

A motore rotante, soffiare le sporcizie e la polvere da tutti i fori di ventilazione con secca aria compressa almeno una volta alla settimana. Indossare occhiali protettivi durante tale operazione. Le parti esterne in plastica si possono pulire con un panno inumidito un detergente debole.



ATTENZIONE: nonostante il fatto che le parti esterne in plastica sono resistenti a solventi, non si ammette l'uso di solventi!

IMPORTANTE! Per provvedere al lavoro sicuro con l'elettROUTENSILE e alla sua affidabilità, tutte le azioni relative alla riparazione, la manutenzione e la regolazione (ivi incluse la verifica e la sostituzione delle spazzole) vanno effettuate nei centri assistenza autorizzati SPARKY, usando soltanto pezzi di ricambio originali.

Garanzia

Il periodo di garanzia per gli utensili SPARKY ha validità a partire dalla data di acquisto ed è conforme alle normative europee.

Non sono coperti da garanzia danni derivanti da usura, sovraccarico o uso improprio.

L'azienda produttrice assicura la sostituzione di tutte le parti non funzionanti in cui si riconoscano difetti di materiale e/o di lavorazione.

Le prestazioni di garanzia saranno erogate solo se la macchina richiesta sarà inviata in condizioni integre al rivenditore o ad un centro di assistenza, accompagnata dallo scontrino fiscale.

Ulteriori informazioni

Leggere attentamente tutte le istruzioni sull'uso prima di adoperare questo prodotto.

L'azienda produttrice si riserva il diritto di apportare modifiche tecniche senza preavviso.

Le specifiche tecniche possono variare da paese a paese.

Contenido

Introducción	30
Datos técnicos	32
Instrucciones generales de seguridad al operar con herramientas eléctricas	33
Instrucciones adicionales de seguridad al operar con taladradoras	34
Componentes principales de la herramienta eléctrica	A/35
Instrucciones de operación	35
Mantenimiento	36
Garantía.....	37

DESEMBALAJE

Debido a la moderna tecnología de producción en masa, es poco probable que su herramienta sea defectuosa o que falte una pieza. Si encuentra algo mal, no trabaje con la herramienta hasta que se haya puesto la pieza o se haya arreglado la avería. El incumplimiento de esta indicación puede provocar un grave daño personal.

ENSAMBLAJE

La taladradora se suministra envasada y completamente montada.

Introducción

Su nueva herramienta SPARKY satisfará totalmente sus expectativas. Ha sido fabricada conforme a las exigentes Normas de calidad de SPARKY para cumplir los más elevados requisitos de funcionamiento. Su nueva herramienta es fácil y segura de manejar y, con el debido cuidado, le dará muchos años de servicio fiable.



AVISO!

Lea detenidamente todo el Manual de instrucciones antes de usar su nueva herramienta SPARKY. Preste especial atención a los **Avisos**. Su herramienta SPARKY tiene muchas funciones que harán más rápido y seguro su trabajo. La seguridad, el funcionamiento y la fiabilidad son las mayores prioridades del desarrollo de esta herramienta, lo que la hace fácil de mantener y manejar.



No tire los productos eléctricos a la basura!

Los productos eléctricos no se deben tirar a la basura. Por favor recíclelos en el lugar adecuado. Póngase en contacto con su ayuntamiento o con una empresa de reciclaje.



PROTECCIÓN MEDIOAMBIENTAL

El aparato, sus accesorios y embalaje deberán separarse para reciclarse cada uno por su lado. Los componentes de plástico llevan una etiqueta del tipo de reciclado.

DESCRIPCIÓN DE LOS SÍMBOLOS

La placa de su herramienta puede contener símbolos, que representan información importante sobre el producto o instrucciones de uso.



Doble aislamiento de protección adicional



Electrónica de selección previa de las revoluciones



Inversor



Conformidad con las directrices europeas aplicables



Compatible con los requisitos de los documentos normativos rusos



Compatible con los requisitos de los documentos normativos ucranianos



Conozca las instrucciones de explotación


YYYY-Www

Período de producción en que los símbolos variables son:
YYYY - año de producción, ww – semana natural consecutiva

BR

TALADRADORA

Datos técnicos

Modelo:	BR 100E	BR 101E
• Potencia absorbida:	350 W	500 W
• Revoluciones en marcha en vacío:	0–3000 min ⁻¹	0–3000 min ⁻¹
• Regulación electrónica de las revoluciones:	Sí	Sí
• Cambio del sentido de rotación:	Sí	Sí
• Anchura del mandril:	0,8–10 mm	0,8–10 mm
• Diámetro máximo de la broca para acero / madera:	10 / 20 mm	10 / 20 mm
• Peso (EPTA procedimiento 1/2003):	1,2 kg	1,5 kg
• Clase de protección (EN 60745) 	II	II

Información sobre ruido y vibraciones

• Emisión de vibraciones (los valores se han determinado según la norma EN 60745):		
A-nivel determinado de presión sonora L _{pa}	82 dB(A)	83 dB(A)
Indeterminación K _{pa}	3 dB	3 dB
A-nivel determinado de potencia sonora L _{wa}	93 dB(A)	94 dB(A)
Indeterminación K _{wa}	3 dB	3 dB



¡Utilice medios de protección del ruido!

• Vibration emission (determinadas según el apartado 6.2.7 de la norma EN 60745-1):		
<i>valor total de las vibraciones (suma vectorial de tres direcciones) determinado según la norma EN 60745</i>		
• Perforación en acero:		
Valor de las vibraciones emitidas a _{h,D}	<2,5 m/s ²	<2,5 m/s ²
Indeterminación K _D	1,5 m/s ²	1,5 m/s ²

El nivel de emisión indicado en la presente información ha sido medido de acuerdo con un ensayo estandarizado recogido en EN 60745 y puede usarse para comparar una herramienta con otra. Puede utilizarse para un informe preliminar de exposición.

El nivel de emisión de vibraciones declarado se aplica a las principales aplicaciones de la herramienta. De todos modos, si la herramienta se utiliza para aplicaciones diferentes, con accesorios diferentes o pobremente mantenida, la emisión de vibraciones puede variar. Esto puede aumentar significativamente el nivel de exposición durante el tiempo total de trabajo.

Una estimación del nivel de exposición a la vibración también debería tener en cuenta el tiempo en que la máquina está apagada o cuando está en marcha, pero no trabajando. Esto puede reducir de forma importante el nivel de exposición durante el tiempo total de trabajo.

Mantenga la herramienta, los accesorios y sus propias manos calientes mientras trabaje con el taladro, con el fin de reducir el doloroso efecto de las vibraciones.

Polvos de materiales como por ejemplo pinturas que contienen plomo, ciertos tipos de madera, minerales y meta II pueden ser nocivos para la salud. El contacto o la inhalación de los polvos puede provocar reacciones alérgicas y/o problemas de respiración del usuario o personas que se encuentren en su cercanía.

Ciertos polvos como polvo de roble o encina se consideran cancerígenos, especialmente en combinación con aditivos para el tratamiento de madera (cromato, agentes de protección de madera). Materiales con asbesto solamente deben ser tratados por personas especializadas.

- Si posible, utilice un dispositivo de aspiración de polvo.
- Para obtener un alto grado de colección de polvo durante el trabajo con esta herramienta eléctrica use una aspiradora adecuada para polvo de madera y polvo mineral.
- Mantenga bien ventilado el lugar de trabajo.
- Se recomienda llevar una máscara de protección de polvo con clase de filtro P2.

Respete los reglamentos vigentes en su país para los materiales a tratar.

Advertencias generales de seguridad de la herramienta

⚠ AVISO! Lea todos los avisos de seguridad y todas las instrucciones. El hecho de no seguir los avisos e instrucciones puede provocar una descarga eléctrica, fuego y/o un daño grave.

Guarde en lugar seguro todos los avisos e instrucciones para futuras consultas.

El término "herramienta" de los avisos se refiere a su herramienta eléctrica con cable o a batería.

1. SEGURIDAD DE LA ZONA DE TRABAJO

- Mantenga limpia y bien iluminada su zona de trabajo. Las zonas sucias u oscuras pueden provocar accidentes.
- No trabaje con la herramienta en ambientes explosivos, como en presencia de líquidos inflamables, gases o polvo. Las herramientas producen chispas que pueden provocar la ignición del polvo o de los gases.
- Las distracciones pueden provocar pérdidas de control.

2. SEGURIDAD ELÉCTRICA

- Los enchufes de la herramienta tienen que coincidir con la toma de corriente. No utilice adaptadores con herramientas en contacto con el suelo (enterradas). Los enchufes y tomas sin modificar reducirán el riesgo de descarga eléctrica.
- Evite el contacto corporal con superficies con contacto a tierra, como tuberías, radiadores, cocinas y frigoríficos. Hay un aumento del riesgo de descarga eléctrica si su cuerpo está en contacto con el suelo o enterrado.
- No exponga las herramientas a la lluvia o a la humedad. Si entra agua en la herramienta se aumentará el riesgo de descarga.
- No haga un uso indebido del cable. No utilice nunca el cable para llevar, tirar de o desconectar la herramienta. Mantenga el cable lejos del calor, de aceites, bordes afilados o piezas sueltas. Los cables dañados o enredados aumentan el riesgo de descarga eléctrica.
- Cuando trabaje con la herramienta al aire libre, utilice una alargadera apropiada para uso al aire libre. Utilizar un cable para exteriores reduce el riesgo de descarga eléctrica.
- Si es inevitable trabajar con la herramienta en un sitio húmedo, utilice un dispositivo de corriente residual (RCD) protegido. Utilizar un RCD reduce el riesgo de descarga eléctrica.

3. SEGURIDAD PERSONAL

- Permanezca atento a lo que está haciendo y haga caso del sentido común cuando trabaje con una herramienta. No utilice la herramienta cuando

está cansado o bajo la influencia de las drogas, el alcohol o de medicación. Una pequeña falta de atención cuando se está trabajando con herramientas puede provocar un grave daño personal.

- Utilice equipos de protección personal. Lleve siempre un protector para los ojos. El equipamiento de protección, como mascarilla, zapatos de seguridad antideslizantes, casco o protección para los oídos, utilizado correctamente, reducirá los daños personales.
- Evite el arranque accidental. Al coger o llevar la herramienta, asegúrese de que el interruptor esté en la posición de apagado antes de conectar la herramienta a la red eléctrica o de poner la batería. Llevar las herramientas con el dedo en el interruptor o activar las herramientas con el interruptor encendido puede provocar accidentes.
- Retire las llaves de ajuste antes de encender la herramienta. Dejar una llave cerca de una pieza rotatoria de la herramienta puede provocar un daño personal.
- No se precipite. Mantenga los pies y la posición correcta en todo momento. Esto posibilita un mejor control de la herramienta en situaciones inesperadas.
- Lleve la ropa apropiada. No lleve ropa suelta o joyas. Mantenga el cabello, la ropa y los guantes lejos de piezas móviles. La ropa suelta, las joyas o el pelo largo pueden resultar atrapados por piezas móviles.
- Si las herramientas están equipadas para conectar el extractor de polvo y dispositivos de recoger el polvo, asegúrese de que estén conectados y se usen correctamente. El uso del dispositivo de recogida de polvo puede reducir el riesgo ocasionado por el mismo.

4. USO Y CUIDADO DE LA HERRAMIENTA

- No fuerce la herramienta. Utilice la herramienta adecuado para cada aplicación. La herramienta correcta hará mejor y más seguro el trabajo para el que fue diseñada.
- No utilice la herramienta si el interruptor no la enciende y apaga. Toda herramienta que no pueda controlarse con el interruptor es peligrosa y deberá ser reparada.
- Desconecte el enchufe de la toma de corriente y/o la batería de la herramienta antes de hacer cualquier ajuste, cambio de accesorios o guardar las herramientas. Tales medidas preventivas de seguridad reducen el riesgo de encenderse accidentalmente la herramienta.
- Mantenga las herramientas que no utilice fuera del alcance de los niños y no permita manejar la herramienta a personas que no estén familiarizadas con la herramienta, o que no conozcan las instrucciones. Las herramientas son peligrosas en manos de personas no familiarizadas con su uso.
- Teniendo en cuenta las condiciones de trabajo y el trabajo a realizar. Utilizar la herramienta para acciones diferentes a las de su uso prescrito puede provocar situaciones peligrosas.

5. SERVICIO TÉCNICO

- a) Encargue el mantenimiento de su herramienta a una persona cualificada y utilice siempre recambios originales. Esto garantizará que se mantenga la seguridad de la herramienta.

Instrucciones adicionales de seguridad al operar con taladradoras



Durante un trabajo continuo, utilice medios de protección auditiva. El ruido intenso durante el trabajo puede ocasionar daños auditivos.

- Utilice siempre una agarradera adicional. La pérdida de control podrá ocasionar un accidente de trabajo.



Durante el trabajo, utilice medios de protección ocular para protegerse de las partículas voladoras. Lleve gafas de protección.



Tome medidas de protección contra la aspiración del polvo. Algunos materiales pueden contener componentes tóxicos. Lleve máscara protectora contra el polvo. Utilice un dispositivo para evacuar el polvo.

- En caso de que exista una posibilidad potencial de que el accesorio cortante roce con una instalación eléctrica oculta o con el cable de alimentación, sujete la herramienta eléctrica sólo por las superficies de sujeción aisladas. El roce del accesorio con un cable bajo tensión expondrá las piezas metálicas de la herramienta eléctrica bajo tensión que están al descubierto, y el operador podrá sufrir un choque eléctrico.
- No procese materiales que contienen amianto. El amianto se considera una sustancia cancerígena.



ADVERTENCIA: Antes de conectar la herramienta eléctrica a la red de alimentación, cerciúrese de que el voltaje de alimentación corresponde al indicado sobre la placa de datos técnicos de la herramienta eléctrica.

- Una fuente de alimentación con voltaje superior al indicado para la herramienta eléctrica puede causar tanto un daño grave de corriente eléctrica al operador como una avería a la herramienta eléctrica.
- Si tiene algunas vacilaciones, no introduzca el enchufe de la herramienta eléctrica en la caja de contacto.
- El uso de una fuente de alimentación con voltaje inferior al indicado sobre la placa de datos técnicos de la herramienta eléctrica dañará el motor eléctrico.
- Para evitar un sobrecalentamiento posible, desenrosque siempre hasta el final el cable del prolongador con un tambor de cable.
- Cuando sea imprescindible usar un prolongador, cerciúrese de que su sección corresponde a la corriente nominal de la herramienta eléctrica utilizada, así como del buen estado del prolongador.



ADVERTENCIA: Desconecte siempre la herramienta eléctrica y saque el enchufe de la toma de corriente antes de efectuar cualquier ajuste, servicio o mantenimiento.

- Mientras esté operando, sostenga siempre la máquina fuertemente con ambas manos y mantenga su cuerpo en posición estable. La herramienta eléctrica se maneja con mayor seguridad cuando se sostiene con ambas manos.
- Antes de empezar a operar, averigüe con un buscametales apropiado si hay una instalación eléctrica, un gasoducto o una tubería de agua ocultos, o bien solicite la asistencia de los respectivos servicios locales. El contacto de la broca con una instalación eléctrica oculta puede causar descarga de corriente eléctrica. La avería de un gasoducto puede provocar explosión. La perforación de una tubería de agua originará daños materiales o descarga de corriente eléctrica.
- Mantenga el cable de alimentación fuera del alcance de funcionamiento de la máquina.
- No utilice la herramienta eléctrica con el cable dañado. No toque el cable dañado y saque el enchufe de la toma de corriente si el cable se ha dañado durante la operación. Los cables dañados elevan el riesgo de electrocución.
- Mantenga siempre su cuerpo en posición estable. Cuando esté operando con la herramienta eléctrica en altura, cerciúrese de que debajo de usted no haya nadie.
- Fije la pieza que está procesando en una mordaza o de otra forma apropiada.
- Observe el momento de inercia al poner en marcha la herramienta eléctrica o en caso de acuñarse la broca. Desconecte inmediatamente la herramienta eléctrica si la broca ha bloqueado. Manténgase en alerta de que no se produzca un momento reactivo alto que pueda provocar retroceso. La broca quedará bloqueada si la herramienta eléctrica se sobrecarga o si se acuña en el material que se está procesando.
- No toque la broca ni la pieza en procesamiento inmediatamente después de la operación. Éstas pueden estar muy calientes y provocar quemaduras en su piel.
- Mantenga el puesto de trabajo limpio. La mezcla de polvo de diversos materiales es sumamente peligrosa. El polvo de metales ligeros puede arder o explotar.
- No deje nunca trapos, estopas, hilos conductores o alambres cerca del lugar de trabajo.
- Desconecte siempre la máquina antes de guardarla.
- La herramienta eléctrica debe usarse solamente según el fin con que ha sido concebida. Cualquier otro uso que difiera del que se describe en este manual se considera uso incorrecto. La responsabilidad por cualquier daño o lesión derivados del uso incorrecto será asumida por el usuario, y no por el fabricante.
- Para explotar correctamente esta herramienta eléctrica, deben cumplirse las normas de seguridad, las instrucciones generales y las indicaciones de operación que se señalan aquí. Cada usuario debe familiarizarse con este manual de usuario y estar informado acerca de los riesgos potenciales al operar con la

herramienta eléctrica. Los niños y las personas físicamente débiles no deben utilizar esta herramienta eléctrica. Los niños deben estar bajo vigilancia constante si se encuentran cerca del lugar de operación con la herramienta eléctrica. Es obligatorio adoptar asimismo medidas de seguridad preventivas. Ello se refiere también al cumplimiento de las normas básicas de salud profesional y seguridad.

- El fabricante no asume responsabilidad por las modificaciones en la herramienta eléctrica que hayan sido efectuadas por el usuario o por las averías causadas a raíz de estas modificaciones.
- La herramienta eléctrica no debe usarse al aire libre cuando esté lloviendo, en un entorno húmedo (después de llover) o cerca de líquidos y gases fácilmente inflamables. El puesto de trabajo debe estar bien iluminado.

Componentes principales de la herramienta eléctrica

Antes de empezar a operar con la herramienta eléctrica, infórmese acerca de todas sus peculiaridades operativas y de las condiciones de seguridad.

Utilice la herramienta eléctrica y sus accesorios solamente según el fin con que han sido concebidos. Queda terminantemente prohibida cualquier otra aplicación.

1. Tornillo de seguridad
2. Mandril de apriete rápido
3. Lugar de fijación del husillo
4. Mecanismo de suspensión
5. Rejillas de ventilación
6. Palanca de cambio del sentido de rotación
7. Regulador electrónico de las revoluciones
8. Interruptor
9. Botón de fijación del interruptor
10. Caja metálica reductora

Instrucciones de operación

Esta herramienta eléctrica se alimenta sólo mediante tensión de corriente eléctrica monofásica alterna. Puede conectarse a tomas de corriente, sin bornes de protección, ya que posee doble aislamiento, según las normas EN 60745 e IEC 60745. Las radiointerferencias corresponden a la Directiva de Compatibilidad Electromagnética 2004/108/UE.

Esta herramienta eléctrica está destinada a perforar orificios en acero, madera, plástico, etc.

ANTES DE EMPEZAR A OPERAR



ADVERTENCIA: Observe si la tensión de la red eléctrica corresponde a la indicada en la placa de características técnicas de la herramienta eléctrica.

- Observe la posición del interruptor. La herramienta eléctrica debe conectarse y desconectarse de la

red de alimentación solamente cuando el interruptor esté desconectado. Si el enchufe se introduce en la toma de corriente mientras que el interruptor está conectado, la herramienta eléctrica se pondrá inmediatamente en funcionamiento, siendo ello una premisa de accidente.

- Procure que el cable y el enchufe se encuentren en buen estado. Si el cable de alimentación está dañado, éste deberá sustituirse por el fabricante o por un técnico de servicio suyo para evitar los peligros relativos a la sustitución.



ADVERTENCIA: Antes de empezar la operación, revise siempre el sentido de rotación. Utilice la palanca de cambio del sentido de rotación solamente cuando el husillo haya dejado de girar completamente. El cambio del sentido de rotación, antes de que el husillo haya parado definitivamente, puede averiar la herramienta eléctrica.

MONTAR / DESMONTAR LA BROCA Y DEL TERMINAL



ADVERTENCIA: Desconecte la herramienta eléctrica y saque el enchufe de la toma de corriente antes de realizar cualquier operación con ella.

La corona posterior del mandril se retiene, y la corona anterior gira hasta que el mandril se abra suficientemente para montar la broca o el terminal. Posteriormente, la corona anterior se aprieta de forma manual.

CONEXIÓN / DESCONEXIÓN

Accionamiento breve:

- Conexión: Se aprieta el interruptor (8).
- Desconexión: Se suelta el interruptor (8).

Operación continua:

- Conexión: Se aprieta el interruptor (8), y, apretándolo, se inmoviliza con el botón (9).
- Desconexión: Se aprieta el interruptor (8) una sola vez y se suelta inmediatamente.



ADVERTENCIA: Antes de introducir el enchufe en la toma de corriente, observe siempre si el interruptor (8) puede accionarse, y si retorna a la posición de desconexión después de haber sido saltado.

REGULACIÓN ELECTRÓNICA PROGRESIVA DE LAS REVOLUCIONES

Al apretar ligeramente el interruptor (8), se provoca el accionamiento de la taladradora en revoluciones bajas, que aumentan paulatinamente hasta llegar a las máximas, elevando la presión sobre el interruptor hasta llegar al tope.

SELECCIÓN DE LAS REVOLUCIONES

Las revoluciones necesarias se seleccionan al girar el

regulador electrónico (7) en el sentido de la aguja del reloj o viceversa.

CAMBIO DEL SENTIDO DE ROTACIÓN

La posición extrema derecha de la palanca (6) significa que la rotación es en el sentido de la aguja del reloj, y la posición extrema izquierda significa que la rotación es en el sentido inverso de la aguja del reloj.

Al apretar el interruptor (8), la palanca (6) no puede accionarse. El cambio del sentido de rotación debe efectuarse solamente cuando la taladradora se encuentra en estado de reposo.

DESENROSCAR Y ENROSCAR PERNOS, TORNILLOS Y TUERCAS

En el mandril (2) se monta, según la forma descrita anteriormente, el respectivo mecanismo para enroscar o desenroscar pernos, tuercas o tornillos. Con la palanca (6), para cambiar el sentido de rotación, se selecciona la operación de desenroscar o enroscar. Estas operaciones se deben efectuar solamente en revoluciones bajas.



ADVERTENCIA: Cuando se enroscan pernos y tornillos largos, existe el peligro de que la taladradora se deslice.

DESMONTAJE DEL MANDRIL

Se retiene la corona posterior del mandril, y la corona anterior gira hasta que el mandril se haya abierto hasta el tope.

Con la ayuda de un destornillador, se desenrosca el tornillo de seguridad de rosca izquierda. En el mandril se introduce un terminal hexaédrico o el mecanismo de enrosque de tornillos, apretándose. El lugar de fijación del husillo (3) se agarra con una llave de tuercas, girando el mandril en el sentido inverso de la aguja del reloj mediante el extremo libre del terminal.

RECOMENDACIONES AL OPERAR CON LA TALADRADORA

Perfore a revoluciones por debajo de las máximas, seleccionando las revoluciones según el material.

Utilice brocas de cola cilíndrica. De vez en cuando, retire la broca de la abertura para eliminar el polvo.

Observe el grado de desgaste de la broca y cámbiela cuando haya observado que ha disminuido considerablemente la productividad.

Al perforar aberturas de diámetro grande en metal, madera o plástico, perfore previamente un orificio con una broca más pequeña.

ACCESORIOS QUE PUEDEN UTILIZARSE CON ESTA HERRAMIENTA ELÉCTRICA

- Brocas para metal con diámetro de Ø0,8 a Ø10 mm.
- Brocas para madera con diámetro de Ø0,8 a Ø20 mm.
- Terminales con hexaedro de unión de 6,35 mm (1/4") para enroscar tornillos.

Mantenimiento



ADVERTENCIA: Antes de realizar cualquier revisión o mantenimiento, desconecte siempre la herramienta eléctrica y saque el enchufe de la toma de corriente.

CAMBIO DE LOS CEPILLOS

Cuando los cepillos se desgasten, ambos cepillos deberán sustituirse simultáneamente por cepillos originales en un servicio de SPARKY de mantenimiento de garantía y fuera de garantía.

REVISIÓN GENERAL

Revise regularmente todos los elementos de entibación y cerciórese de que hayan sido bien atesados. En caso de que alguno de los tornillos se haya aflojado, apriételo inmediatamente para evitar situaciones de riesgo.

Si el cable de alimentación está dañado, su sustitución debe efectuarse por el fabricante o por un técnico de servicio suyo para evitar los peligros de la sustitución.

LIMPIEZA

Para un trabajo seguro, manténganse la máquina y las rejillas de ventilación (6) siempre limpias.

Cuando el motor eléctrico es rotatorio, limpie con aire seco y comprimido las impurezas y el polvo de todas las rejillas de ventilación al menos una vez por semana. Durante esta operación, lleve gafas de protección. Las piezas externas de plástico pueden limpiarse con un paño húmedo y un detergente de limpieza suave.



ADVERTENCIA: A pesar de que las piezas externas de plástico son resistentes a disolventes, ¡no se deben usar disolventes!

¡IMPORTANTE! Para garantizar un trabajo seguro con la herramienta eléctrica y su fiabilidad, todas las actividades relativas a la reparación, mantenimiento y regulación (incluida la revisión y el cambio de los cepillos) deberán efectuarse por los centros de servicio autorizados de SPARKY, utilizando solamente piezas de recambio originales.

Garantía

El periodo de garantía de las herramientas SPARKY aparece indicado en la hoja de garantía.

Los daños debido a llevar ropa normal, a sobrecargas o manejo indebido se excluirán de la garantía.

Los daños debido al uso de materiales defectuosos, así como a defectos en la hechura serán subsanados libres de gastos por medio de sustitución o reparación.

Se reconocerán las quejas por herramientas SPARKY defectuosas si la máquina se devuelve al distribuidor o si se entrega al servicio autorizado de garantía sin desmontar, en su estado inicial.

Notas

Lea atentamente todo el manual del uso antes de utilizar este producto.

El fabricante se reserva el derecho a cambiar las especificaciones sin previo aviso.

Las especificaciones pueden ser distintas de país a país.

Conteúdo

Introdução	38
Dados técnicos	40
Instruções de segurança do trabalho com ferramentas eléctricas	41
Instruções adicionais de segurança do trabalho com berbequins	42
Conhecimento da ferramenta.....	A/43
Instruções para o trabalho	43
Manutenção	44
Garantia.....	45

DESEMBALAGEM

De acordo com as tecnologias de produção geralmente utilizadas, é pouco provável o novo instrumento eléctrico que você adquiriu ser ineficiente ou lhe faltar alguma peça. Mesmo assim, se você verificar que qualquer coisa não está bem, não trabalhe com o instrumento, enquanto a peça ineficiente não for substituída, ou a imperfeição não ficar eliminada. O não seguimento desta recomendação é capaz de provocar um acidente de trabalho grave.

MONTAGEM

O berbequim fornece-se completamente embalado e ensablado

Introdução

O novo instrumento eléctrico SPARKY que adquiriu vai ultrapassar as suas expectativas. Ele foi fabricado de acordo com os mais elevados padrões de qualidade da SPARKY, os quais vão de encontro com as exigências mais rigorosas do consumidor. Fácil de manutenção e seguro durante a utilização, sendo correctamente manipulado, este instrumento eléctrico servir-lhe-á fielmente durante muitos anos.

ATENÇÃO!



Leia atentamente toda a instrução para o uso, antes de começar a trabalhar com o seu novo instrumento eléctrico SPARKY. Preste especial atenção aos textos que começam com a palavra “**Atenção**”. O seu instrumento eléctrico SPARKY possui qualidades que hão de facilitar o seu trabalho. Ao ser fabricado este instrumento eléctrico, maior atenção foi prestada à segurança, às qualidades de exploração e à fiabilidade, as quais fazem dele um instrumento fácil de manutenção e de exploração.



Não deitar o instrumento eléctrico para o lixo comum!

Os resíduos de aparelhos eléctricos não se devem misturar com o lixo comum. Mande-os para reciclagem nos lugares destinados a isso. Ponha-se em contacto com as autoridades locais ou com um representante para consultar a forma de reciclagem.

PROTECÇÃO DO MEIO AMBIENTE



Visando a protecção do meio ambiente, o instrumento eléctrico, os seus acessórios e embalagem têm-de-ser submetidos a uma adequada reelaboração para serem novamente utilizadas as matérias primas contidas neles.

Para facilitar a reciclagem, as peças feitas de materiais sintéticos levam a respectiva denotação.

DESCRIÇÃO DOS SÍMBOLOS

Sobre a chapa com os dados do instrumento eléctrico estão denotados os símbolos especiais que fornecem importante informação sobre o artefacto ou recomendações para o seu uso.



Duplo isolamento para protecção adicional



Electrónica de escolha prévia das rotações



Reverso



Conformidade com as directrizes europeias aplicáveis



Conformidade com es exigências dos documentos normativos russos



Conformidade com es exigências dos documentos normativos ucranianos



Conheça a instrução de exploração

YYYY-Www

Período de fabrico, onde os símbolos variáveis são:

YYYY - ano de fabrico, ww – a respectiva semana corrente do calendário

BR

BERBEQUIM

Dados técnicos

Modelo:	BR 100E	BR 101E
• Consumo de energia:	350 W	500 W
• Rotações ao ralenti:	0–3000 min ⁻¹	0–3000 min ⁻¹
• Regulação electrónica das rotações:	sim	sim
• Mudança do sentido da rotação:	sim	sim
• Alcance do mandril:	0.8–10 mm	0.8–10 mm
• Diâmetro máximo da broca para aço / madeira:	10 / 20 mm	10 / 20 mm
• Peso (EPTA procedimento 1/2003):	1.2 kg	1.5 kg
• Classe de segurança (EN 60745) 	II	II

Informação sobre ruído e vibrações

• Emanação de ruído (os valores foram calculados segundo EN 60745):		
A- nível calculado de pressão sonora L _{PA}	82 dB(A)	83 dB(A)
Ambiguidade K _{PA}	3 dB	3 dB
A- nível calculado de potência sonora L _{WA}	93 dB(A)	94 dB(A)
Ambiguidade K _{WA}	3 dB	3 dB



Use meios de protecção contra o ruído!

• Emanação de vibrações (calculadas segundo o p. 6.2.7 de EN 60745-1):		
<i>Valor global das vibrações (soma vectorial pelos três eixos), determinado de acordo com EN 60745</i>		
• Perfuração em aço:		
Valor das vibrações emanadas a _v	<2.5 m/s ²	<2.5 m/s ²
Ambiguidade K _v	1.5 m/s ²	1.5 m/s ²

O nível das vibrações, indicado neste manual, foi determinado com base no teste indicado por EN 60745 e pode ser utilizado para a comparação de instrumentos eléctricos. O nível das vibrações pode ser utilizado para a avaliação prévia do grau de impacto.

O nível das vibrações declarado refere-se à utilização/função principal do instrumento. Caso o instrumento eléctrico seja utilizado para outros fins, ou forem utilizados outros acessórios, ou o instrumento não for bem tratado, o nível das vibrações diferenciar-se-á do declarado. Em tais casos o nível do impacto pode crescer consideravelmente dentro do período laboral total.

Ao avaliar o nível de impacto das vibrações, é preciso considerar também o tempo em que o instrumento está desligado, ou está ligado, mas sem funcionar. Tal pode diminuir consideravelmente o nível do impacto dentro do período laboral total.

Mantenha o instrumento eléctrico e os acessórios em bom estado. Cuide as mãos quentes durante o trabalho – isto vai diminuir o efeito nocivo do trabalho com instrumentos de vibração elevada.

O pó resultante do processamento dos materiais tais como pinturas com conteúdo de chumbo, certos tipos de madeiras, minerais e metais, pode ser nocivo para a saúde. O contacto directo ou a aspiração do pó pode causar reacções alérgicas e/ou doenças das vias respiratórias do trabalhador ou das pessoas que se encontram perto dele.

Alguns tipos de pó, por exemplo o de carvalho ou de faia consideram-se carcinogénicos, sobretudo em combinação com ingredientes utilizados no processamento da madeira, tais como cromado ou conservantes. O material que contém amianto tem de ser processado só por especialistas

- Quando for possível, utilize sistemas para o desvio do pó.
- Para atingir maior grau de captação do pó, ao trabalhar com o instrumento, utilize aspirador de pó.
- Garanta a boa ventilação do local de trabalho.
- Recomenda-se o uso de máscara anti-pó com filtro da classe P2.

Cumpra as regras vigentes no Seu país referentes ao processamento dos diferentes materiais.

Indicações gerais de advertência para ferramentas eléctricas



ATENÇÃO! Devem ser lidas todas as indicações de advertência e todas as instruções. O desrespeito das advertências e instruções apresentadas abaixo pode causar choque eléctrico, incêndio e/ou graves lesões.

Guarde bem todas as advertências e instruções para futura referência.

O termo “Ferramenta eléctrica” utilizado a seguir nas indicações de advertência, refere-se a ferramentas eléctricas operadas com corrente de rede (com cabo de rede) e a ferramentas eléctricas operadas com bateria (sem cabo de rede).

1. SEGURANÇA DA ÁREA DE TRABALHO

- Mantenha a sua área de trabalho sempre limpa e bem iluminada. Desordem ou áreas de trabalho insuficientemente iluminadas podem levar a acidentes.
- Não trabalhar com a ferramenta eléctrica em áreas com risco de explosão, nas quais se encontrem líquidos, gases ou pós inflamáveis. Ferramentas eléctricas produzem faíscas, que podem inflamar pós ou vapores.
- Manter crianças e outras pessoas afastadas da ferramenta eléctrica durante a utilização. No caso de distração é possível que perca o controlo sobre o aparelho.

2. SEGURANÇA ELÉCTRICA

- A ficha de conexão da ferramenta eléctrica deve caber na tomada. A ficha não deve ser modificada de maneira alguma. Não utilizar uma ficha de adaptação junto com ferramentas eléctricas protegidas por ligação a terra. Fichas não modificadas e tomadas apropriadas reduzem o risco de um choque eléctrico.
- Evitar que o corpo possa entrar em contacto com superfícies ligadas a terra, como tubos, aquecimentos, fogões e frigoríficos. Há um risco elevado devido a choque eléctrico, se o corpo estiver ligado a terra.
- Manter o aparelho afastado de chuva ou humidade. A infiltração de água numa ferramenta eléctrica aumenta o risco de choque eléctrico.
- Não deverá utilizar o cabo para outras finalidades. Jamais utilizar o cabo para transportar a ferramenta eléctrica, para pendurá-la, nem para puxar a ficha da tomada. Manter o cabo afastado de calor, óleo, cantos afiados ou partes do aparelho em movimento. Cabos danificados ou emaranhados aumentam o risco de um choque eléctrico.
- Se trabalhar com uma ferramenta eléctrica ao ar livre, só deverá utilizar cabos de extensão apropriados para áreas exteriores. A utilização de um cabo de extensão apropriado para áreas exteriores reduz o risco de um choque eléctrico.
- Se não for possível evitar o funcionamento da fer-

ramenta eléctrica em áreas húmidas, deverá ser utilizado uma disjuntor de corrente de avaria. A utilização de um disjuntor de corrente de avaria reduz o risco de um choque eléctrico.

3. SEGURANÇA DE PESSOAS

- Esteja atento, observe o que está a fazer e tenha prudência ao trabalhar com a ferramenta eléctrica. Não utilizar uma ferramenta eléctrica quando estiver fatigado ou sob a influência de drogas, álcool ou medicamentos. Um momento de descuido ao utilizar a ferramenta eléctrica, pode levar a lesões graves.
- Utilizar equipamento de protecção pessoal e sempre óculos de protecção. A utilização de equipamento de protecção pessoal, como máscara de protecção contra pó, sapatos de segurança antiderrapantes, capacete de segurança ou protecção auricular, de acordo com o tipo e aplicação da ferramenta eléctrica, reduz o risco de lesões.
- Evitar uma colocação em funcionamento involuntária. Assegure-se de que a ferramenta eléctrica esteja desligada, antes de conectá-la a alimentação de rede e/ou ao acumulador, antes de levantá-la ou de transportá-la. Se tiver o dedo no interruptor ao transportar a ferramenta eléctrica ou se o aparelho for conectado a alimentação de rede enquanto estiver ligado, poderão ocorrer acidentes.
- Remover ferramentas de ajuste ou chaves de boca antes de ligar a ferramenta eléctrica. Uma ferramenta ou chave que se encontre numa parte do aparelho em movimento pode levar a lesões.
- Evite uma posição anormal. Mantenha uma posição firme e mantenha sempre o equilíbrio. Desta forma é mais fácil controlar a ferramenta eléctrica em situações inesperadas.
- Usar roupa apropriada. Não usar roupa larga nem jóias. Mantenha os cabelos, roupas e luvas afastadas de partes em movimento. Roupas frouxas, cabelos longos ou jóias podem ser agarrados por peças em movimento.
- Se for possível montar dispositivos de aspiração ou de recolha, assegure-se de que estejam conectados e utilizados correctamente. A utilização de uma aspiração de pó pode reduzir o perigo devido ao pó.

4. UTILIZAÇÃO E MANUSEIO CUIDADOSO DE FERRAMENTAS ELÉCTRICAS

- Não sobrecarregue o aparelho. Utilize a ferramenta eléctrica apropriada para o seu trabalho. É melhor e mais seguro trabalhar com a ferramenta eléctrica apropriada na área de potência indicada.
- Não utilizar uma ferramenta eléctrica com um interruptor defeituoso. Uma ferramenta eléctrica que não pode mais ser ligada nem desligada, é perigosa e deve ser reparada.
- Puxar a ficha da tomada e/ou remover o acumulador antes de executar ajustes no aparelho, de substituir acessórios ou de guardar o aparelho. Esta medida de segurança evita o arranque involuntário da ferramenta eléctrica.
- Guardar ferramentas eléctricas não utilizadas fora do alcance de crianças. Não permita que pessoas que não estejam familiarizadas com o aparelho ou que não tenham lido estas instru-

ções, utilizem o aparelho. Ferramentas eléctricas são perigosas se forem utilizadas por pessoas inespertas.

- e) Tratar a ferramenta eléctrica com cuidado. Controlar se as partes móveis do aparelho funcionam perfeitamente e não emperram, e se há peças partidas ou danificadas que possam prejudicar o funcionamento da ferramenta eléctrica. Permitir que peças danificadas sejam reparadas antes da utilização. Muitos acidentes têm como causa, a manutenção insuficiente de ferramentas eléctricas.
- f) Manter as ferramentas de corte afiadas e limpas. Ferramentas de corte cuidadosamente tratadas e com cantos de corte afiados emperram com menos frequência e podem ser conduzidas com maior facilidade.
- g) Utilizar a ferramenta eléctrica, acessórios, ferramentas de aplicação, etc. conforme estas instruções. Considerar as condições de trabalho e a tarefa a ser executada. A utilização de ferramentas eléctricas para outras tarefas a não ser as aplicações previstas, pode levar a situações perigosas.

5. SERVIÇO

a) Só permita que o seu aparelho seja reparado por pessoal especializado e qualificado e só com peças de reposição originais. Desta forma é assegurada o funcionamento seguro do aparelho.

Regras adicionais de segurança do trabalho com berbequins



Utilize meios de protecção do ouvido durante o trabalho prolongado. O ruído forte durante o trabalho pode causar problemas auditivos.

- Utilize sempre a manipulação adicional, caso esteja suministrada dentro do jogo da máquina. A perda de controlo pode causar acidente de trabalho.



Durante o trabalho use meios de protecção da vista contra partículas voadoras. Use óculos protectores.



Tome medidas de protecção contra a poeira. Alguns materiais podem conter elementos tóxicos. Use máscara anti-pó. Use dispositivo para remoção da poeira.

- Ao executar trabalhos durante os quais possam ser atingidos cabos eléctricos ou o próprio cabo de rede, deverá sempre segurar a ferramenta eléctrica pelas superfícies isoladas do punho. O contacto com um cabo sob tensão pode colocar peças de metal da ferramenta eléctrica sob tensão e levar a um choque eléctrico.
- Não processe materiais que contêm amianto. O amianto considera-se substância carcinogénica.



ADVERTÊNCIA: Antes de ligar a ferramenta à rede alimentadora, verifique se a tensão na rede eléctrica corresponde à que está marcada na placa das características técnicas da ferramenta.

- Fonte de alimentação cuja tensão é maior do que a indicada para a ferramenta, pode causar tanto um grave dano de choque eléctrico no operário, como avaria do instrumento.
- Se tiver quaisquer hesitações, não meta a ficha de tomada da ferramenta na rede de alimentação.
- Fonte de alimentação cuja tensão é menor do que a indicada para a ferramenta, pode causar tanto um grave dano ao motor eléctrico.
- Para evitar eventual sobreaquecimento, sempre desenrole até ao fim o cordão a partir duma extensão com cabo de bateria.
- Quando se precisa usar extensão, convençase de que a sua secção corresponde a corrente nominal da ferramenta, como também da perfeição da extensor.



ADVERTÊNCIA: Sempre desligue a ficha da tomada antes de realizar quaisquer consertos, reparações ou manutenção, bem como nos casos de queda da tensão alimentadora.

- Durante o trabalho pegue na máquina bem com as duas mãos e mantenha o corpo em posição estável. A ferramenta maneja-se melhor com as duas mãos.
- Antes de iniciar o trabalho, revise com um explorador de metais apropriado a presença de instalação eléctrica, gasoduto ou aqueduto escondidos. Procure a colaboração dos respectivos serviços competentes. O contacto da broca com instalação eléctrica escondida pode causar choque eléctrico. Uma avaria no gasoduto pode provocar explosão. A perfuração de aqueduto pode causar danos ao imóvel ou trauma de corrente eléctrica.
- Mantenha o cabo alimentador fora do alcance operacional do instrumento.
- Não se admite trabalhar com o cabo alimentador avariado. Se o cabo de alimentação está danificado, não pegue nele e retire a ficha de tomada da rede alimentadora. Se o cabo ficar avariado durante o processo de trabalho. Os cabos avariados aumentam o risco de choque eléctrico.
- Mantenha sempre a posição estável do corpo. Ao trabalhar a uma determinada altura verifique se não fica ninguém debaixo
- Fixe a peça processada com um grampo ou doutro modo adequado.
- Esteja alerta do momento de inércia na altura do arranco da ferramenta ou de travamento da broca. Sempre desligue o instrumento, se a broca ficar travada. Esteja alerta do momento reactivo elevado que pode causar ricochete.
- A broca ficará bloqueada se sobrecarregar o instrumento ou a broca ficar travada no instrumento processado.
- Não pegue na broca ou na peça processada imediatamente depois do trabalho – eles podem ter ficado muito quentes e podem causar-lhe queimaduras na pele.
- Mantenha limpo o posto de trabalho. A mistura de pó de diferentes materiais é sumamente perigosa. O pó de metais ligeiros pode incendiar-se ou explodir.
- Nunca deixe na zona operacional estopas, cordões, farrapos, etc.

- Sempre desligue a ferramenta antes de deixá-lo de lado.
- O instrumento eléctrico tem de se usar só para o que for destinado. Qualquer outro uso diferente do que está descrito nesta instrução considerar-se-á uso incorrecto. A responsabilidade de qualquer avaria ou ferimento que decorrem do uso incorrecto será assumida pelo consumidor e não pelo fabricante.
- Para explorar correctamente esta ferramenta, tem de observar as regras de segurança, as instruções gerais e as indicações para o trabalho aqui assinaladas. Todos os consumidores têm de conhecer esta instrução e estar informados sobre os riscos potenciais ao trabalhar com a ferramenta. Crianças e pessoas de físico fraco não têm de trabalhar com a ferramenta. As crianças têm de encontrar-se sob vigilância permanente, caso se encontrarem perto do lugar onde se trabalha com a ferramenta. É preciso serem tomadas obrigatoriamente medidas preventivas de segurança. O mesmo refere-se à observância das regras principais de saúde profissional e segurança técnica.
- O fabricante não assume a responsabilidade pelas alterações feitas na ferramenta pelo consumidor, nem pelas avarias que decorrem dessas alterações.
- A ferramenta não tem de ser usada ao ar livre em tempo de chuva, em ambiente húmido (depois de chuva) ou perto de líquidos e gases facilmente inflamáveis. O local de trabalho tem de ficar bem iluminado.

Conhecimento da ferramenta

Antes de começar a trabalhar com a ferramenta eléctrica, conheça todas as suas especificidades operacionais e as condições de segurança.

Use o instrumento e os seus acessórios só para o que forem destinados. Qualquer outra aplicação é terminantemente proibida.

1. Parafuso de segurança
2. Mandril de rápida configuração
3. Lugar de fixação do fuso
4. Dispositivo para pendurar a ferramenta
5. Aberturas de ventilação
6. Alavanca de mudança do sentido da rotação
7. Regulador electrónico das rotações
8. Interruptor
9. Botão de travamento do interruptor
10. Caixa redutora de metal

Instruções para o trabalho

Esta ferramenta eléctrica alimenta-se unicamente por tensão alternada monofásica. Pode-se juntar a tomadas sem clips de segurança, pois tem duplo isolamento conforme EN 60745-1 e IEC 60745. As radio-perturbações correspondem à Directriz sobre a compatibilidade electromagnética 2004/108/EC. A ferramenta destina-se à perfuração de aberturas em aço, madeira, plásticos, etc.

ANTES DE INICIAR O TRABALHO



ADVERTÊNCIA: Verifique se a tensão da rede eléctrica corresponde à que está indicada sobre a chapa com os dados técnicos da ferramenta eléctrica.

- Verifique em que posição se encontra o interruptor. A ferramenta tem de se conectar e desconectar da rede só com o interruptor desligado. Se meter a ficha no contacto enquanto o interruptor estiver na posição de conectado, a ferramenta accionar-se-á imediatamente, o que constitui uma premissa para acidente.
- Assegure-se da perfeição do cabo de alimentação e da ficha de tomada. Se o cabo de alimentação estiver danificado, a sua substituição tem de se fazer pelo fabricante ou por especialista na oficina de assistência autorizada por ele para evitar os perigos decorrentes dessa operação



ADVERTÊNCIA: Antes de iniciar o trabalho revise sempre o sentido da rotação. Use a alavanca de mudança do sentido de rotação só depois de o fuso ter deixado de girar definitivamente. A mudança do sentido de rotação antes da paragem definitiva do fuso pode avariar a ferramenta eléctrica.

COLOCAÇÃO E RETIRADA DE BROCA E DE BOCAL



ATENÇÃO: Desconecte a ferramenta antes de efectuar qualquer trabalho sobre ela.

Retém-se a coroa traseira do mandril e dobra-se a coroa da frente até o mandril ficar aberto suficientemente para meter nele a broca ou o bocal. Depois a coroa da frente aperta-se manualmente.

ARRANCO / PARAGEM

Accionamento de pouca duração:

- Arranco: Interruptor (8) aperta-se.
- Paragem: Interruptor (8) afrouxa-se.

Trabalho prolongado:

- Arranco: Interruptor (8) aperta-se e sendo apertado afrouxa-se com o botão (9)
- Paragem: Interruptor (8) aperta-se só uma vez e afrouxa-se imediatamente.



ADVERTÊNCIA: Antes de meter a ficha na rede de contacto, sempre verifique se o interruptor (8) pode accionar-se e, depois de ter sido afrouxado, pode voltar para a posição de "desligado".

CONTROLO DA VELOCIDADE INFINITAMENTE VARIÁVEL

O apertar leve do interruptor (8) provoca o accionamento do perfurador a baixa velocidade. As rotações aumentam paulatinamente até ao máximo, aumentando a pressão sobre o interruptor até chegar à posição final.

ESCOLHA DAS ROTAÇÕES

A frequência de rotação necessária escolhe-se previamente girando o regulador electrónico (7) no sentido horário e viceversa.

MUDANÇA DO SENTIDO DA ROTAÇÃO

A posição extrema direita da alavanca (6) significa rotação no sentido horário, ao passo que a extrema esquerda significa o sentido contrário.

Ao pressionar para baixo o interruptor (8), a alavanca (6) não pode accionar-se. A mudança do sentido de rotação faz-se somente quando o perfurador está em repouso.

DESAPARAFUSAMENTO E APARAFUSAMENTO DE PARAFUSOS, PORCAS E PARAFUSOS COM PORCAS

No mandril (2) aperta-se do modo descrito supra o respectivo dispositivo para aparafusamento e desaparafusamento de parafusos, porcas e parafusos com porcas. Com a alavanca (6) de mudança do sentido da rotação escolhe-se a operação de aparafusamento ou desaparafusamento.

As operações realizam-se só à baixa velocidade.



ADVERTÊNCIA: Ao aparafusar parafusos de grande comprimento existe o perigo de a perfuradora deslizar-se!

DESMONTAGEM DO MANDRIL

Retém-se a coroa traseira e dobra-se a coroa dianteira até ao mandril ficar totalmente aberto. Com a ajuda dum chave de fenda desaparafusa-se o parafuso de segurança de rosca esquerda. No mandril coloca-se uma chave sextavada ou o dispositivo para aparafusar parafusos e se aperta de modo apropriado. O lugar de fixação do fuso (3) captura-se com uma chave de fenda e o mandril dobra-se no sentido anti-horário mediante o extremo livre do bocal.

RECOMENDAÇÕES PARA O TRABALHO COM O BERBEQUIM

Perfure com rotações mais baixas do que as máximas escolha-se de acordo com o material.

Use brocas de cáuda cilíndrica. De vez em quando retire a cauda de abertura para eliminar a poeira.

Observe o grau de embotamento da broca e substitua-o quando a produtividade tiver diminuído sensivelmente.

Ao abrir em metal uma abertura de grande diâmetro, abra primeiro uma abertura de diâmetro menor.

ACESSÓRIOS QUE PODEM SER UTILIZADOS COM ESTA FERRAMENTA ELÉCTRICA

- Brocas para metal com diâmetro de Ø8 mm a Ø10 mm
- Brocas para madeira com diâmetro de Ø8 mm a Ø20 mm
- Bocais de conexão Allen 6.35 mm (1/4") para aparafusamento de parafusos com porca.

Manutenção



ADVERTÊNCIA: Sempre desconecte a ferramenta eléctrica e retire a ficha da rede de contacto antes de realizar qualquer revisão ou manutenção.

SUBSTITUIÇÃO DAS ESCOVAS

Ao ficarem gastas, as duas escovas têm de ser substituídas ao mesmo tempo por escovas originais na oficina de assistência da SPARKY em prazo de garantia e fora dele.

REVISÃO GERAL

Revise regularmente todos os elementos de suporte e convença-se de que estão bem apertados. Caso algum parafuso se tenha afrouxado, aparafuse-o imediatamente para evitar situações de risco.

Caso o cabio alimentador tenha ficado avariado, a substituição tem de se fazer pelo fabricante ou pelo seu especialista na oficina de assistência autorizada, para assim evitar os perigos decorrentes da substituição.

LIMPEZA

Em vista da segurança do trabalho, mantenha sempre limpas a ferramenta e as aberturas de ventilação (5)

Estando o motor em movimento, sobre a sujeira e a poeira de todas as aberturas de ventilação com ar comprimido pelo menos uma vez por semana. Durante essa operação use óculos protectores.

Partes externas de plástico podem-se limpar com um pano úmido e um detergente fraco.



ATENÇÃO: Apesar de que as partes externas de plástico são resistentes aos solventes, nunca use solventes.

IMPORTANTE! Para garantir a segurança do trabalho com a ferramenta eléctrica e a sua confiabilidade, todas as actividades de reparação, manutenção e regulamento (incluindo a revisão e substituição das escovas) têm de se realizar nas oficinas de assistência autorizadas ou noutras organizações de assistência devidamente qualificadas, utilizando só peças de sobresselente originais.

Garantia

O prazo de garantia dos instrumentos eléctricos SPARKY está indicado no cartão de garantia. Problemas surgidos em resultado do desgaste natural, sobrecarga ou utilização incorrecta, ficam excluídos dos deveres da garantia. Os problemas surgidos devido ao uso de materiais de baixa qualidade e/ou erros de fabricação, eliminam-se sem pagamento adicional mediante substituição ou reparação.

Reclamação por um instrumento eléctrico SPARKY defeituoso reconhece-se quando o instrumento for devolvido ao distribuidor ou for levado a uma oficina autorizada de assistência em prazo de garantia no seu estado inicial (montado).

Observações

Leia atentamente toda a instrução para o uso, antes de começar a trabalhar com este aparelho.

O fabricante reserva-se o direito de introduzir melhoras e modificações nos seus aparelhos, bem como modificar as especificações sem aviso.

As especificações podem variar de país para país.

Spis Treści

Wstęp	46
Dane techniczne	48
Instrukcje bezpieczeństwa przy pracy elektronarzędziami	49
Dodatkowe instrukcje bezpieczeństwa przy pracy wiertarkami	50
Podstawowe elementy	A/51
Działanie	51
Konserwacja	52
Gwarancja	52

ROZPAKOWANIE

Państwa produkt został zmontowany i zapakowany z należytą starannością, istnieje niewielkie prawdopodobieństwo, że urządzenie może być uszkodzone lub brakować części. Jeśli zostanie taki fakt stwierdzony nie należy używać urządzenia do momentu usunięcia braków. Praca niekompletnym urządzeniem może być przyczyną poważnych uszkodzeń ciała.

MONTAŻ

Niniejsza wiertarka SPARKY jest dostarczana w pełni zmontowana.

Wstęp

Gratulujemy wyboru urządzenia SPARKY, zdolnego spełnić oczekiwania najbardziej wymagającego użytkownika. Urządzenie zostało wyprodukowane zgodnie z rygorystycznymi standardami jakości SPARKY, aby zapewnić najwyższą jakość funkcjonowania. To łatwe i bezpieczne w użytkowaniu urządzenie, odpowiednio stosowane i konserwowane, zapewni Państwu długie lata niezawodnej pracy.

UWAGA!



Prosimy o dokładne zapoznanie się z niniejszą instrukcją obsługi przed użyciem urządzenia SPARKY, zwracając szczególną uwagę na ostrzeżenia i uwagi. Dzięki swoim cechom urządzenie SPARKY zapewnia szybką i łatwą pracę. Bezpieczeństwo, niezawodność i wydajność były priorytetami przy konstruowaniu tego urządzenia, by zapewnić łatwość obsługi oraz utrzymania.



Nie wyrzucać urządzeń elektrycznych razem z domowymi śmieciami!

Zużyte urządzenia elektryczne nie mogą być wyrzucane wraz z ze śmieciami z gospodarstwa domowego. Tam gdzie to możliwe, należy oddać zużyte urządzenie do punktu recyklingu. Należy skontaktować się z władzami lokalnymi lub sprzedawcą w celu uzyskania informacji odnośnie recyklingu.



OCHRONA ŚRODOWISKA

Urządzenie, akcesoria oraz opakowanie powinny zostać odpowiednio posortowane przez recyklingiem. Części plastikowe są oznaczone odnośnie odpowiedniej kategorii odzyskiwania surowca.

OPIS SYMBOLI

Tabliczka znamionowa na urządzeniu może zawierać symbole graficzne. Przedstawiają one ważne informacje o produkcie lub jego obsłudze.



Podwójna izolacja zabezpieczenia dodatkowego



Elektroniczny dobór obrotów



Obroty w prawo - lewo



Zgodny z odpowiednimi dyrektywami europejskimi



Zgodność z wymogami rosyjskich dokumentów normatywnych



Zgodność z wymogami ukraińskich dokumentów normatywnych



Zapoznać się z instrukcją obsługi

YYYY-Www

Okres produkcji, w którym zmiennymi symbolami są:
YYYY - roku produkcji, ww – tydzień kalendarzowy

BR

WIERTARKA

Dane techniczne

Model:	BR 100E	BR 101E
• Moc:	350 W	500 W
• Obroty bez obciążenia:	0–3000 min ⁻¹	0–3000 min ⁻¹
• Elektroniczny dobór obrotów:	Tak	Tak
• Zmiana kierunku obrotów:	Tak	Tak
• Zakres uchwytu wiertarskiego:	0,8–10 mm	0,8–10 mm
• Średnica wiercenia w stali / w drewnie:	10 / 20 mm	10 / 20 mm
• Waga (EPTA procedure 01/2003):	1,2 kg	1,5 kg
Klasa bezpieczeństwa (EN 60745) 	II	II

Informacja o poziomie hałasu i drgań

• **Emisja hałasu** (wartości pomiarowe określono zgodnie z normą EN 60745):

Określony według skali A poziom ciśnienia akustycznego L _{pA}	82 dB(A)	83 dB(A)
Niepewność pomiaru K _{pA}	3 dB	3 dB
Określony według skali A poziom mocy akustycznej L _{WA}	93 dB(A)	94 dB(A)
Niepewność pomiaru K _{WA}	3 dB	3 dB



Nosić ochronę słuchu!

• **Emisja wibracji** (wartości emisji drgań określone zgodnie z punktem 6.2.7 normy EN 60745-1):

Lączna wartość sumy drgań (sumy wektorowej trzech składowych kierunkowych) wyznaczona zgodnie z normą EN 60745

• Drażnienie stali:

Poziom emisji drgań a _{pD}	<2,5 m/s ²	<2,5 m/s ²
Niepewność pomiaru K _{pD}	1,5 m/s ²	1,5 m/s ²

Poziom wibracji podany w niniejszej instrukcji został zmierzony na podstawie testu zgodnie z EN 60745 i może służyć do porównywania elektronarzędzi. Może być zastosowany do wstępnej oceny ekspozycji na wibrację.

Deklarowany poziom wibracji odpowiada zastosowaniu urządzenia zgodnie z przeznaczeniem. Jeśli urządzenie zostanie użyte w inny sposób, z wykorzystaniem innego osprzętu lub nie będzie odpowiednio konserwowane, emisja wibracji może różnić się od deklarowanej. Może to znacznie zwiększyć poziom ekspozycji na wibracje w całym czasie pracy.

W przewidywaniu poziomu ekspozycji na wibracje należy także uwzględnić okresy gdy urządzenie nie pracuje lub pracuje bez obciążenia. Może to znacznie obniżyć poziom ekspozycji na wibracje w całym czasie pracy.

Konserwuj urządzenie oraz akcesoria. Podczas pracy dbaj aby dłonie zawsze były rozgrzane by zapobiec szkodliwym efektom wibracji.

Pyły niektórych materiałów, na przykład powłok malarskich z zawartością ołowiu, niektórych gatunków drewna, minerałów lub niektórych rodzajów metalu, mogą stanowić zagrożenie dla zdrowia. Bezpośredni kontakt fizyczny z pyłami lub przedostanie się ich do płuc może wywołać reakcje alergiczne i/lub choroby układu oddechowego operatora lub osób znajdujących się w pobliżu.

Niektóre rodzaje pyłów, np. dębiny lub buczyny uważane są za rakotwórcze, szczególnie w połączeniu z substancjami do obróbki drewna (chromian, impregnaty do drewna). Materiały, zawierające azbest mogą być obrabiane jedynie przez odpowiednio przeszkolony personel.

- W razie możliwości należy stosować odsysanie pyłów.
 - W celu osiągnięcia wysokiego poziomu odsysania, należy stosować odkurzacze do pyłów drewnianych lub do pyłów drewnianych i /lub mineralnych.
 - Należy zawsze dbać o dobrą wentylację stanowiska pracy.
 - Zaleca się noszenie maski przeciwpyłowej z pochłaniaczem klasy P2.
- Należy stosować się do aktualnie obowiązujących w danym kraju przepisów, regulujących zasady obchodzenia się z materiałami przeznaczonymi do obróbki.

Instrukcje bezpieczeństwa przy pracy elektronarzędzami



Uwaga! Przeczytać wszystkie instrukcje bezpieczeństwa. Nie przestrzeganie instrukcji i ostrzeżeń może spowodować porażenie prądem, pożar i/lub poważne obrażenia.

Zachować wszystkie instrukcje i ostrzeżenia.

Termin: „urządzenie” we wszystkich poniższych informacjach odnosi się do urządzeń zasilanych z sieci (przewodowych) oraz urządzeń akumulatorowych (bezprowodowych).

1. BEZPIECZEŃSTWO MIEJSCA PRACY

- Miejsce pracy musi być zawsze dobrze oświetlone i czyste. Niedoświetlenie oraz nieład mogą być przyczyną wypadków.
- Nie należy używać urządzenia w obecności palnych płynów, gazów i pyłów. Podczas pracy urządzenia powstają iskry, które mogą zapalić pyły lub opary.
- Chronić przed dziećmi i osobami postronnymi. Brak skupienia może spowodować utratę kontroli nad urządzeniem.

2. BEZPIECZEŃSTWO ELEKTRYCZNE

- Wtyczka urządzenia musi pasować do gniazda zasilającego. Nie wolno modyfikować wtyczki w jakikolwiek sposób. Nie stosować żadnych adapterów w przypadku elektronarzędzi wymagających uziemienia. Nie modyfikowane wtyczki oraz gniazda zasilające redukują ryzyko porażenia prądem.
- Unikać kontaktu z uziemionymi przedmiotami takimi jak, rury, grzejniki, piece i lodówki. Ryzyko porażenia prądem wzrasta gdy ciało użytkownika zostanie uziemione poprzez kontakt z np. ww. przedmiotami.
- Nie narażać urządzenia na kontakt z wodą – w takim wypadku wzrasta zagrożenie porażenia prądem.
- Nie przenosić, nie wyłączać ani nie ciągnąć urządzenia trzymając za przewód. Chronić przewód przed źródłem ciepła, olejami, przedmiotami o ostrych brzegach lub ruchomych częściach. Uszkodzony lub splątany przewód może zwiększyć ryzyko porażenia prądem.
- Podczas pracy na zewnątrz należy zawsze stosować odpowiedni przewód przedłużający. Stosowanie przewodu przeznaczonego do pracy na zewnątrz zmniejsza ryzyko porażenia prądem.
- Jeśli praca w wilgotnym środowisku jest nieunikniona, stosować zasilanie zabezpieczone wyłącznikiem różnicowo-prądowy. Stosowanie wyłącznika różnicowo-prądowego zmniejsza ryzyko porażenia prądem.

3. BEZPIECZEŃSTWO OSOBISTE

- Zawsze należy pracować w należyтым skupieniu i kierować się rozsądkiem. Nie używać urządze-

nia pozostając pod wpływem leków, alkoholu lub narkotyków, w trakcie leczenia lub będąc zmęczonym. Chwila nieuwagi podczas pracy urządzeniem może być przyczyną poważnych uszkodzeń ciała.

- Stosować wyposażenie ochronne. Zawsze używać ochrony oczu. Wyposażenie takie jak maska p.pyłowa, buty na podeszwie antypoślizgowej, kask, ochronniki słuchu, redukuje zagrożenie uszkodzenia ciała.
 - Unikać przypadkowego włączenia urządzenia. Upewnić się, że wyłącznik znajduje się w położeniu; „wylączony” przed podłączeniem urządzenia do źródła zasilania. Przenoszenie urządzenia trzymając za wyłącznik lub podłączając je do zasilania z wyłącznikiem w pozycji: „włączone” może być przyczyną wypadków.
 - Przed włączeniem urządzenia upewnić się, że nie jest dotknięty żaden osprzęt regulacyjny (np. klucz). Pozostawienie klucza w rotującej części urządzenia może spowodować obrażenia.
 - Nie przeceniać własnych możliwości. Zawsze dbać o odpowiednie oparcie dla nóg oraz balans. Zapewni to lepszą kontrolę w nieoczekiwanych sytuacjach.
 - Stosować odpowiednie ubranie. Nie nosić luźnych ubrań ani biżuterii. Nie zbliżać włosów, ubrania ani rękawic roboczych do ruchomych części urządzenia. Luźne ubranie, biżuteria lub długie włosy mogą utknąć w ruchomych częściach urządzenia.
 - Jeśli urządzenie jest wyposażone w adapter odprowadzania pyłów, należy sprawdzić czy jest odpowiednio podłączony i używany. Stosowanie systemu odprowadzania pyłów może obniżyć niebezpieczeństwa związane z pyleniem.
- ## 4. UŻYWANIE I KONSERWACJA URZĄDZENIA
- Nie przeciążać urządzenia. Stosować odpowiednie urządzenie do każdej pracy. Należyście dobrane urządzenie wykona pracę lepiej i bezpieczniej w trybie do jakiego zostało zaprojektowane
 - Nie używać urządzenia jeśli wyłącznik nie działa. Każde urządzenie z uszkodzonym wyłącznikiem jest niebezpieczne i musi zostać naprawione.
 - Zawsze należy odłączyć urządzenie od zasilania i/lub wyjąć baterię przed zmianą ustawień, wymianą akcesoriów lub odłożeniem po pracy. Takie działanie zmniejsza ryzyko przypadkowego włączenia urządzenia.
 - Nieużywane urządzenie należy chronić przed dziećmi oraz niepowołanymi osobami nie znającymi tego urządzenia lub niniejszej instrukcji. Elektronarzędzia są niebezpieczne w rękach nie przeszkolonych osób.
 - Konserwować elektronarzędzia. Sprawdzać połączoną częśći ruchomych, ewentualne uszkodzenia oraz inne czynniki mogące mieć wpływ na działanie urządzenia. W przypadku stwierdzenia uszkodzenia należy naprawić urządzenie przed dalszym użytkowaniem. Wiele wypadków spowodowanych jest nienależytą konserwacją urządzenia.
 - Narzędzia tnące zawsze muszą być ostre. Odpowiednio konserwowane narzędzia tnące z ostrymi

krawędziami rzadziej się zacinają w obrabianym materiale i są łatwiejsze w obsłudze.

- g) Niniejsze urządzenie oraz osprzęt do niego muszą być używane zgodnie z niniejszą instrukcją obsługi oraz w zakresie przewidzianym dla danego typu urządzenia. Zawsze należy brać pod uwagę rodzaj pracy do wykonania oraz warunki panujące w miejscu pracy. Użycie elektronarzędzi do celów innych niż opisane w niniejszej instrukcji obsługi może spowodować niebezpieczne sytuacje.

5. SERWIS

- a) Niniejsze urządzenie należy serwisować wyłącznie w autoryzowanych serwisach SPARKY z wykorzystaniem oryginalnych części zamiennych. Takie postępowanie zapewni należyte bezpieczeństwo.

Dodatkowe instrukcje bezpieczeństwa przy pracy wiertarkami



Nosić ochronniki słuchu podczas długotrwałej pracy. Narażenie na intensywny hałas może spowodować utratę słuchu.

- Zawsze używać obudowę przekładni jako dodatkowego uchwytu. Utrata kontroli może spowodować uszkodzenie ciała.



Podczas pracy zapewnić ochronę oczu przed odpryskami. Nosić okulary ochronne.



Stosuj środki zapobiegające wdychaniu pyłów. Niektóre materiały zawierają chemikalia, które mogą być toksyczne. Nosić maskę przeciwpyłową. Stosować systemy odciągania pyłów.

- Trzymać elektronarzędzie tylko za odizolowaną oryginalną instrukcją obsługi wane powierzchnie podczas wykonywania zabiegu, kiedy element tnący może dotknąć ukrytej izolacji lub własnego sznura elektrycznego. Dotknięcie powierzchni tnącej do przewodu pod napięciem stawia pod napięciem odsłonięte części metalowe elektronarzędzia i użytkownik zostanie porażony prądem.
- Nie obrabiać materiału zawierającego azbest. Azbest jest uważany za materiał rakotwórczy.



OSTRZEŻENIE: Przed podłączeniem elektronarzędzia do sieci zasilania, należy się upewnić, że napięcie zasilania jest zgodne z napięciem podanym na tabliczce znamionowej elektronarzędzia.

- Źródło zasilania o napięciu wyższym od wskazanego na elektronarzędziu może spowodować poważne porażenie operatora prądem elektrycznym, jak również uszkodzenie elektronarzędzia.
- W razie wątpliwości, nie należy wkładać wtyczki elektronarzędzia do gniazdka zasilania.
- Korzystanie ze źródła zasilania o napięciu niższym od

wskazanego na tabliczce znamionowej elektronarzędzia spowoduje uszkodzenie silnika elektrycznego.

- W celu uniknięcia ewentualnego przegrzania, zawsze należy rozwiązać do końca przewód przedłużacza z bębna kablowego.
- W razie konieczności korzystania z przedłużacza, upewnić się należy, że jego przekrój odpowiada wartościom prądu znamionowego używanego elektronarzędzia, jak również sprawdzić sprawność przedłużacza.



OSTRZEŻENIE: Zawsze wyłączać elektronarzędzia i wyjmować wtyczkę z gniazda zasilania przed wykonaniem jakichkolwiek zabiegów nastawienia, obsługi lub konserwacji.

- Podczas pracy zawsze trzymać mocno elektronarzędzie oburącz oraz zachowywać stateczną pozycję ciała. Elektronarzędziem można sterować bardziej bezpiecznie trzymając je oburącz.
- Przed przystąpieniem do pracy należy sprawdzić odpowiednim detektorem metali na okoliczność ukrytej instalacji elektrycznej, gazowej lub wodnej bądź zwrócić się do lokalnych służb o pomoc. Dotknięcie wiertłem ukrytej instalacji elektrycznej może spowodować porażenie prądem. Uszkodzenie instalacji gazowej może spowodować wybuch. Przebiecie instalacji wodnej spowoduje szkody materialne lub porażenie prądem.
- Przewód zasilania trzymać poza zasięgiem pracy elektronarzędzia.
- Nie używać elektronarzędzia z uszkodzonym przewodem. Nie dotykać uszkodzonego przewodu oraz natychmiast wyciągnąć wtyczkę z gniazda sieci, jeżeli przewód ulegnie uszkodzeniu podczas pracy. Uszkodzone przewody zwiększają ryzyko doznania porażenia prądem.
- Zawsze zachowywać stabilną pozycję ciała. Pracując elektronarzędziem na wysokości, upewnij się, że nikogo nie ma pod tobą.
- Unieruchomić obrabiany detal w imadle lub w inny odpowiedni sposób.
- Uważać na moment bezwładności przy uruchomieniu wiertarki lub przy zakleszczeniu wiertła. Natychmiast wyłączyć elektronarzędzie w wypadku zablokowania wiertła. Uważać na wysoki moment reaktywny, który może wywołać odrzut. Wiertło zostanie zablokowane wskutek przeciążenia elektronarzędzia lub jego zakleszczenia w obrabianym materiale.
- Nie dotykać natychmiast po pracy wiertła lub obrabianego materiału. Mogą one być bardzo gorące i spowodować oparzenie skóry.
- Utrzymywać czystość w miejscu pracy. Mieszanka pyłu różnych materiałów jest szczególnie niebezpieczna. Pył lekkich metali może zapłonąć lub wybuchnąć.
- Nigdy nie pozostawiać szmat, pakietu, przewodów lub drutu blisko miejsca pracy.
- Zawsze wyłączać elektronarzędzia przed odstawieniem narzędzia na bok.
- Elektronarzędzia używać wyłącznie zgodnie z jego przeznaczeniem. Każde inne zastosowanie odmiennie od wskazanego w niniejszej instrukcji uważane

jest za niewłaściwe. Odpowiedzialność za wszelkie uszkodzenia lub zranienia wynikające z niewłaściwego zastosowania spoczywa na użytkowniku, a nie na producencie.

- Prawidłowa eksploatacja niniejszego elektronarzędzia wymaga przestrzegania przepisów bezpieczeństwa, ogólnych instrukcji i wskazówek pracy tu wskazanych. Wszyscy użytkownicy powinni zapoznać się z niniejszą instrukcją obsługi i być poinformowani o potencjalnych ryzykach przy pracy elektronarzędziem. Dzieci i fizycznie słabi ludzie nie powinni używać tegoż narzędzia. Dzieci przebywające w pobliżu miejsca pracy elektro narzędzia należy obserwować bez przerwy. Obowiązkowo należy podjąć prewencyjne środki bezpieczeństwa. To samo dotyczy także przestrzegania podstawowych przepisów higieny i bezpieczeństwa pracy.
- Producent nie ponosi odpowiedzialności za dokonane przez użytkownika zmiany w elektronarzędziu lub za uszkodzenia spowodowane tego rodzaju zmianami.
- Elektronarzędzia nie używać na wolnym powietrzu w pogodzie deszczowej, w środowisku wilgotnym (po deszczu) lub blisko łatwopalnych płynów i gazów. Miejsce pracy powinno być dobrze oświetlone.

Podstawowe elementy

Przed rozpoczęciem pracy elektronarzędziem należy zapoznać się wszystkimi szczegółami operacyjnymi i warunkami bezpieczeństwa.

Używać elektronarzędzia i osprzętu wyłącznie zgodnie z ich przeznaczeniem. Każde inne zastosowanie jest stanowczo zakazane.

1. Śruba mocująca
2. Samozaciskowy uchwyt wiertarski
3. Miejsce blokady wrzeciona
4. Uchwyt na pas
5. Otwory wentylacyjne
6. Dźwignia zmiany kierunku obrotu
7. Pokrętko regulacji obrotów
8. Włłącznik
9. Przycisk blokujący pracę
10. Metalowa obudowa przekładni

Działanie

Ten model SPARKY jest zasilany wyłącznie jednofazowym prądem zmiennym. Posiada podwójną izolację wg norm EN 60745, IEC i może być podłączany do źródeł zasilania uziemionych i nie uziemionych. Poziom tłumienia zakłóceń radiowych zgodny z dyrektywą 2004/108/EC. Niniejsze urządzenie jest przeznaczone do wiercenia w stali, drewnie, plastiku, itp.

PRZED PIERWSZYM UŻYCIEM



UWAGA: Należy upewnić się, czy napięcie zasilania jest zgodne z napięciem podanym na tabliczce znamionowej urządzenia.

- Zawsze sprawdzać położenie wyłącznika. Podłączyć do zasilania tylko gdy wyłącznik jest zwolniony. W przeciwnym wypadku, po podłączeniu do zasilania, urządzenie włączy się co może być przyczyną poważnego wypadku.
- Upewnić się, czy przewód i wtyczka są w dobrym stanie. Jeśli konieczna jest wymiana przewodu, należy tego dokonać wyłącznie w autoryzowanym serwisie.



UWAGA: Przed rozpoczęciem pracy zawsze sprawdzaj kierunek obrotu. Używaj dźwigni do zmiany kierunku obrotu tylko przy całkowicie unieruchomionym wrzecionie. Zmiana kierunku obrotu przed ostatecznym zatrzymaniem wrzeciona może uszkodzić elektronarzędzie.

MONTAŻ I DEMONTAŻ WIERTEŁ



UWAGA: Przed wszelkimi operacjami na urządzeniu należy wyłączyć urządzenie i odłączyć je od zasilania.

Mocno przytrzymać tylną część uchwytu samozaciskowego i obracać przednim pierścieniem do uzyskania wymaganego rozchylenia. Po wprowadzeniu wiertła mocno dokręcić przedni pierścień uchwytu.

WŁĄCZANIE / WYŁĄCZANIE

Szybka aktywacja:

- Włączanie: Nacisnąć włącznik (8).
- Wyłączanie: Zwolnić włącznik (8).

Praca ciągła:

- Włączanie: Nacisnąć włącznik (8) i zablokować za pomocą przycisku (9).
- Wyłączanie: Nacisnąć włącznik (8) i natychmiast go zwolnić.



UWAGA: Przed każdorazowym włączeniem wiertarki należy sprawdzić czy włącznik 8 działa sprawnie i powraca po zwolnieniu do pozycji: „wyłączony”.

PŁYNNA ELEKTRONICZNA KONTROLA OBROTÓW

Lekki nacisk na włącznik (8) powoduje niską prędkość obrotową, dalszy nacisk powoduje płynny wzrost prędkości aż do prędkości maksymalnej przy pełnym nacisku.

WYBÓR PRĘDKOŚCI OBROTOWEJ

Wymaganą prędkość można ustawić wstępnie obracając pokrętkę (7) w lewo lub w prawo.

ZMIANA KIERUNKU OBROTÓW

Maksymalna pozycja dźwigni (6) z prawej strony odpo-

wiada obrotem zgodnym z ruchem wskazówek zegara, maksymalna pozycja z lewej strony – obrotem przeciwnym do ruchu wskazówek zegara.

Przy naciśniętym włączniku (8) dźwignia (6) nie może być przestawiana. Zmiany kierunku obrotów można dokonać jedynie gdy wrzeczono wiertarki nie obraca się!

WKRĘCANIE/ WYKRĘCANIE ŚRUB I WKRĘTÓW

Postępując zgodnie z opisaną powyżej procedurą montażu wiertel w uchwycie (2), zamontować odpowiedni do danego typu rodzaj bitu. Wybrać wymagany kierunek obrotów dźwignią (6). Operacje wkręcania / wykręcania mogą być przeprowadzane jedynie przy wolnych obrotach.



UWAGA: Podczas wkręcania / wykręcania długich śrub lub wkrętów istnieje niebezpieczeństwo wysiłgnięcia się urażenia.

DEMONTAŻ UCHWYTU

Trzymając za tylną część uchwytu samozaciskowego (2) przekreślić przednią część uchwytu do uzyskania pełnego rozwarcia. Za pomocą śrubokręta odkręcić lewoskrętną śrubę mocującą uchwyt. Umieścić klucz imbusowy lub końcówkę śrubokręta w uchwycie. Za pomocą płaskiego klucza zablokować wrzeczono w miejscu blokady (3) i korzystając z zamocowanego klucza lub śrubokręta, odkręcić uchwyt obracając w kierunku przeciwnym do ruchu wskazówek zegara.

ZALECENIA UŻYTKOWANIA

Wiercić z prędkością mniejszą niż maksymalna i dobrać prędkość w zależności od obrabianego materiału. Używać wiertel o prostych uchwytach. Kontrolować zużycie wiertel i wymieniać je natychmiast po zauważeniu spadku wydajności. Przed wierceniem dużych średnic w metalu, drewnie lub plastiku należy najpierw wywiercić mniejszy otwór pilotażowy.

AKCESORIA DLA NINIEJSZEJ WIERTARKI

- Wiertła metalu Ø0.8 do Ø10 mm.
- Wiertła do drewna Ø0.8 to Ø20 mm.
- Sześciokątne bity 6.35 mm (1/4").

Konserwacja



UWAGA: Przed przystąpieniem do wszelkich konserwacji należy się upewnić, że urządzenie jest wyłączone i odłączone od sieci.

WYMIANA SZCZOTEK

W przypadku zużycia zawsze należy wymieniać dwie szczotki jednocześnie w serwisie urządzeń SPARKY.

OGÓLNE SPRAWDZENIE

Sprawdzać regularnie wszystkie elementy mocujące upewniając się, że zostały mocno dociągnięte. W przypadku rozluźnienia jakiegokolwiek wkrętu, należy go niezwłocznie dokręcić dla uniknięcia powstania sytuacji ryzykownych.

W razie uszkodzenia kabla zasilania, wymianę należy wykonać u producenta lub w jego autoryzowanym serwisie w celu uniknięcia ewentualnych komplikacji w wyniku wymiany.

CZYSZCZENIE

Ze względów bezpieczeństwa, otwory wentylacyjne (5) należy zawsze utrzymywać w czystości.

Przynajmniej raz w tygodniu, przedmuchiwać otwory wentylacyjne suchym powietrzem, silnik powinien być włączony. Podczas tej czynności należy nosić okulary ochronne.

Zewnętrzne części plastikowe można czyścić suchą szmatką z niewielką ilością delikatnego detergentu.



UWAGA: Mimo, że części plastikowe są odporne na rozpuszczalniki – nigdy nie czyścić rozpuszczalnikami!

WAŻNE! TW celu zapewnienia pełnego bezpieczeństwa użytkowania, wszelkie naprawy, konserwacja oraz dostosowania (także wymiana szczotek) muszą być przeprowadzane w autoryzowanych serwisach SPARKY.

Gwarancja

Okres gwarancji urządzeń SPARKY jest podany w karcie gwarancyjnej. Naturalne zużycie oraz uszkodzenia powstałe w wyniku przeciążenia lub niewłaściwej obsługi nie podlegają gwarancji.

Uszkodzenia wynikłe z wady materiałowej lub błędów produkcyjnych zostaną usunięte bezpłatnie w drodze naprawy lub wymiany urządzenia.

Reklamacje uszkodzonych urządzeń SPARKY zostaną rozpatrzone jeśli zostaną dostarczone w stanie w jakim stwierdzono wadę, nie rozmontowane, do autoryzowanego serwisu lub punktu sprzedaży.

Informacja

Przeczytać uważnie całość niniejszej instrukcji obsługi przed użytkowaniem niniejszego sprzętu.

Narzędzia SPARKY są stale ulepszone w związku z tym otrzymany produkt może nieznacznie różnić się od tego ukazanego w niniejszej instrukcji. Producent zapewnia sobie prawo do wprowadzania zmian bez uprzedzenia. Specyfikacja może się różnić w zależności od kraju.

Содержание

Введение	53
Технические данные	55
Общие указания по безопасности при работе с электроинструментами	56
Дополнительные указания по безопасности при работе с дрелями	57
Знакомство с электроинструментом	A/58
Указания по работе	58
Обслуживание	60
Гарантия	60

РАСПАКОВКА

В соответствие с общепринятой технологией производства мало вероятно, что Ваш новый электроинструмент находится в неисправности, или не хватает какой-либо его части. Все же, если Вы заметите несоответствия, не начинайте использовать электроинструмент до тех пор, пока его поврежденная часть не будет заменена, а дефект – устранен. Невыполнение данной рекомендации может привести к производственным травмам.

СБОРКА

Дрель поставляется в упакованном и полностью собранном виде.

Введение

Новоприобретенный Вами электроинструмент SPARKY превзойдет Ваши ожидания. Он произведен в соответствии с высокими стандартами качества SPARKY, отвечающими строгим требованиям потребителя. Его легко обслуживать и он безопасен при эксплуатации, при правильном использовании этот электроинструмент будет служить Вам долгие годы.

ПРЕДОСТЕРЕЖЕНИЕ!



Прочтите внимательно и целиком инструкцию по эксплуатации перед использованием новоприобретенного электроинструмента SPARKY. Обратите специальное внимание на параграфы, обозначенным словом “Предостережение”. У Вашего электроинструмента SPARKY много качеств, которые облегчают работу. При разработке этого инструмента основное внимание было направлено на безопасность, эксплуатационные качества и надежность, которые облегчают его обслуживание и эксплуатацию.



Не выбрасывайте электроинструменты вместе с бытовыми отходами!

Отходы от электрических изделий не следует собирать вместе с бытовыми отходами. Пожалуйста, рециклируйте в местах, предназначенных для этого. Свяжитесь с местными властями или представителем для консультации касательно рециклирования.

ОХРАНА ОКРУЖАЮЩЕЙ СРЕДЫ



С учетом охраны окружающей среды электроинструмент, принадлежности и упаковка должны подвергнуться подходящей переработке для повторного использования содержащегося в них сырья. Для облегчения рециклирования деталей, произведенных из искусственных материалов, они обозначены соответствующим образом.

ОПИСАНИЕ СИМВОЛОВ

На табличке с данными электроинструмента нанесены специальные символы. Они представляют собой важную информацию об использовании инструмента и его характеристиках.



Двойная изоляция для дополнительной защиты



Электроника для предварительной настройки скорости



Реверс



Соответствует релевантным европейским директивам



Соответствует требованиям российским нормативным документам



Соответствует требованиям украинским нормативным документам



Ознакомьтесь с инструкцией по эксплуатации


YYYY-Www

Период производства, где переменные символы означают:
YYYY - год производства, ww – очередная календарная неделя

BR

ДРЕЛЬ

Технические данные

Модель:	BR 100E	BR 101E
• Потребляемая мощность:	350 W	500 W
• Холостые обороты:	0–3000 min ⁻¹	0–3000 min ⁻¹
• Электронное регулирование оборотов:	Да	Да
• Смена направления вращения:	Да	Да
• Обхват патрона:	0.8–10 mm	0.8–10 mm
• Максимальный диаметр сверла для стали / дерева:	10 / 20 mm	10 / 20 mm
• Вес (EPTA процедура 01/2003):	1.2 kg	1.5 kg
• Класс защиты (EN 60745) 	II	II

Информация о шуме и вибрациях

• Излучение шума (значения замерялись в соответствии со стандартом EN 60745):		
A-взвешенный уровень звукового давления L _{pA}	82 dB(A)	83 dB(A)
Неопределенность K _{ра}	3 dB	3 dB
A-взвешенный уровень звуковой мощности L _{WA}	93 dB(A)	94 dB(A)
Неопределенность K _{WA}	3 dB	3 dB



Используйте средства для защиты от шума!

• Излучение вибраций (уровень вибраций измерен в соответствии с т.6.2.7 EN 60745-1): <i>суммарные значения вибраций (векторная сумма трех направлений) определенные в соответствии с EN 60745</i>		
• Сверление по стали:		
Значение излученных вибраций a _{hD}	<2.5 m/s ²	<2.5 m/s ²
Неопределенность K _D	1.5 m/s ²	1.5 m/s ²

Указанный в настоящую инструкцию уровень вибраций измерен в соответствии с установленную EN 60745 методику испытаний и может использоваться для сравнения электроинструментов. Уровень вибраций может использоваться для предварительной оценки воздействия.

Указанный уровень вибраций дан при условии использования инструмента по его прямому назначению. В тех случаях, когда электроинструмент используется для других целей, с другими принадлежностями, уровень вибраций может отличаться от указанного. В этих случаях уровень воздействия может значительно возрасти в рамках общего периода работы.

Для точной оценки воздействия вибраций во время определенного периода работы необходимо учитывать промежутки времени, в которые электроинструмент выключен, либо хотя и включен, но фактически не используется. Это может существенно сократить воздействия вибраций в течение всего периода работы.

Сохраняйте электроинструмент и его принадлежности в хорошем состоянии. Во время работы старайтесь сохранять руки теплыми - это поможет уменьшить вредное воздействие при работе с повышенной вибрацией.

Пыль материалов, как с краски с содержанием свинца, некоторых сортов древесины, минералов и металла может быть вредной для здоровья. Прикосновение к пыли и попадание пыли в дыхательные пути может вызвать аллергические реакции и/или заболевания дыхательных путей оператора или находящегося вблизи персонала.

Определенные виды пыли, как из дуба и бука, считаются канцерогенными, особенно, совместно с присадками для обработки древесины (хромат, средство для защиты древесины). Материал с содержанием асбеста разрешается обрабатывать только специалистам.

- По возможности применяйте отсос пыли.
- Для достижения максимально высокой эффективности собирания пыли при работе с данным электроинструментом, используйте пылесос, предназначенный для сбора пыли из древесины или для пыли из древесины и/или минеральной пыли.
- Следите за хорошей вентиляцией.
- Рекомендуется пользоваться дыхательной защитной маской с фильтром класса P2.

Соблюдайте действующие в Вашей стране предписания для обрабатываемых материалов.

Общие указания по безопасности при работе с электроинструментами



ПРЕДУПРЕЖДЕНИЕ! Прочитайте все предупреждения и указания по безопасности. Несоблюдение предупреждений и указаний по безопасности может привести к поражению электрическим током, от пожара и/или серьезным ранениям.

Сохраните все предупреждения и указания для дальнейшего использования.

Термин “электроинструмент” во всех указанных ниже предупреждениях касается вашего электроинструмента, с питанием от сети (с кабелем) и/или электроинструмент с питанием от аккумуляторной батареи (без кабеля).

1. БЕЗОПАСНОСТЬ РАБОЧЕГО МЕСТА

- Содержите рабочее место в чистоте и хорошо освещенным. Беспорядок и недостаточное освещение являются предпосылками трудовых инцидентов.
- Не работайте с электроинструментами во взрывоопасной атмосфере при наличии воспламеняющихся жидкостей, газов или пыли. Электроинструменты создают искры, которые могут воспалить пыль или пары.
- Держите детей и посторонних лиц на расстоянии, когда работаете с электроинструментом. Рассеивание может привести к потере контроля с Вашей стороны.

2. ЭЛЕКТРИЧЕСКАЯ БЕЗОПАСНОСТЬ

- Штепселя электроинструментов должны соответствовать контактным гнездам. Никогда не меняйте штепсель каким-либо способом. Не используйте какие-либо адаптерные штепселя для электроинструментов с защитным заземлением. Использование оригинальных штепселей и соответствующим им контактов уменьшает риск от удара электрическим током.
- Избегайте соприкосновения тела с землей или с заземленными поверхностями, такими как трубы, радиаторы, кухонные плиты и холодильники. Если ваше тело заземлено, существует повышенный риск поражения электрическим током.
- Не оставляйте электроинструменты под дождем или во влажной среде. Проникновение воды в электроинструменты повышает риск от поражения электрическим током.
- Используйте кабель по назначению. Никогда не используйте кабель для переноса электроинструмента, натягивания или отключения штепселя из контактного гнезда. Держите кабель далеко от тепла, масла, острых углов или движущихся частей. Поврежденные или запутанные кабели повыша-

ют риск от поражений электрическим током.

- Во время наружной работы с электроинструментом используйте удлинитель, подходящий для этих целей. Использование удлинителя, предназначенного для внешних / наружных работ, уменьшает опасность от поражения электрическим током.
- В случае, если работа с электроинструментом во влажной среде неизбежна, используйте предохранительное устройство, которое задействовано от остаточного тока для прерывания подачи тока. Использование предохранительного устройства уменьшает риск от поражения электрическим током.

3. ЛИЧНАЯ БЕЗОПАСНОСТЬ

- Будьте бдительны, работайте с повышенным вниманием и проявляйте благоразумие, когда работаете с электроинструментом. Не используйте электроинструмент, когда вы устали или находитесь под влиянием наркотиков, алкоголя или медикаментов. Момент невнимания при работе с электроинструментом может привести к серьезной производственной травме.
- Используйте индивидуальные средства защиты. Носите всегда защитные очки. Индивидуальные средства защиты, такие как маска против пыли, нескользкая обувь, защитный шлем или средства для защиты слуха, используются в конкретных условиях, снижают риск от производственных травм.
- Избегайте невольного пуска инструмента. Убедитесь, что выключатель находится в положении „выключено” перед включением к источнику питания и/или аккумуляторной батареи перед тем, как его возьмете в руки или переносите. Ношение электроинструмента с пальцем на выключателе или подключении к источнику питания электроинструмента с выключателем во включенном положении является предпосылкой для производственной травмы.
- Удалите каждый ключ для затягивания или гаечный ключ перед включением электроинструмента. Ключ для затягивания или гаечный ключ, прикрепленный к вращающейся части электроинструмента, может привести к трудовому инциденту.
- Не перетягивайтесь. Поддерживайте правильное положение и равновесие в течение всей работы. Это позволит лучше управлять электроинструментом при неожиданных ситуациях.
- Носите подходящую рабочую одежду. Не носите широкую одежду или украшения. Держите свои волосы, одежду и перчатки далеко от движущихся частей. Широкая одежда, бижутерия или длинные волосы могут попасть в движущиеся части.
- Если электроинструмент снабжен приспособлением для пыли, убедитесь, что они правильно установлены и правильно используются. Использование этих устройств может понизить связанные с пылью опасности.

4. ЭКСПЛУАТАЦИЯ И УХОД ЗА ЭЛЕКТРОИНСТРУМЕНТАМИ

- a) Не перегружайте электроинструмент. Используйте правильно выбранный электроинструмент согласно его назначению. *Правильно подобранный электроинструмент работает лучше и безопасней для объявленного режима работы, для которого он спроектирован.*
- b) Не используйте электроинструмент в случае, если выключатель не переключается во включенное и исключенное положение. *Каждый электроинструмент, который не может управляться с помощью его выключателя, опасен и подлежит ремонту.*
- c) Отключите штепсель от электросети перед тем, как начать любые настройки, перед заменой принадлежностей или перед тем, как убрать электроинструмент для хранения. *Эти меры предосторожности снижают риск невольного пуска электроинструмента.*
- d) Сохраняйте неиспользованные электроинструменты в местах, недоступных для детей и не позволяйте обслуживающему персоналу, который не знаком с электроинструментом или инструкциями по эксплуатации, работать с ним. *Электроинструменты являются опасными в руках необученных потребителей.*
- e) Проверяйте электроинструменты. Проверяйте, работают ли нормально и движутся ли свободно движущиеся части, находятся ли в целости и исправности части, а также проверяйте все прочие обстоятельства, которые могут неблагоприятно повлиять на работу электроинструмента. Если он поврежден, электроинструмент необходимо отремонтировать перед его дальнейшим использованием. *Много инцидентов причиняются от плохо обслуживаемых электроинструментов.*
- f) Поддерживайте режущие инструменты острыми и чистыми. *Правильно поддерживаемые режущие инструменты с острыми режущими углами реже блокируются и проще управляются.*
- g) Используйте электроинструмент, принадлежности и части инструмента и т.д. в соответствии с этими инструкциями и способом, предусмотренным для конкретного типа электроинструмента, имея ввиду рабочие условия и работу, которую необходимо выполнять. *Использование электроинструмента для работы не по назначению может привести к опасной ситуации.*

5. ОБСЛУЖИВАНИЕ

- a) Ремонтируйте ваш электроинструмент у квалифицированного специалиста по ремонту, при этом используйте только оригинальные запасные части. *Это обеспечивает сохранение безопасности электроинструмента.*

Дополнительные указания по безопасности при работе с дрелями



Используйте средства защиты слуха при работе с отбойными молотками. Интенсивный шум во время работы может вызвать потерю слуха.



Во время работы используйте средства защиты зрения, чтобы предохраниться от выделяющихся частиц. Пользуйтесь защитными очками.



Берите предохранительные меры против вдоха пыли. Некоторые материалы могут содержать токсические составы. Пользуйтесь пылезащитной маской и устройством пылеотвода.

- В случае потенциальной возможности касания режущей принадлежности до скрытой электропроводки или до собственного питающего шнура, держите электроинструмент только за изолированные поверхности рукоятки. *Контакт принадлежности с токоведущим проводом ставит под напряжение также открытые металлические части электроинструмента и может привести к поражению оператора электрическим током.*
- Не обрабатывайте материалы содержащих асбеста. Асбест считается канцерогенным веществом.



ПРЕДОСТЕРЕЖЕНИЕ: Прежде чем связать электроинструмент к сети питания, убедитесь, что питающее напряжение отвечает на указанном на табличке с техническими данными электроинструмента.

- Если источник питания напряжением выше указанного для электроинструмента, то он может вызвать серьезное поражение электрическим током на оператора и повреждение электроинструмента.
- Если вы не уверены, не ставьте штепсель электроинструмента в розетке сети.
- Если источник питания напряжением ниже указанного на табличке электроинструмента, то он может привести к повреждению электродвигателя.
- Чтобы предотвратить эвентуального перегревания, всегда развивайте кабель с удлинителем с кабельным барабаном до конца.
- Когда необходимо использовать удлинителя, то убедитесь, что его сечение отвечает номинальному току использованного электроинструмента, а также и в исправности удлинителя.



ПРЕДОСТЕРЕЖЕНИЕ: Всегда выключайте электроинструмент и штепсель из розетки питания, прежде чем сделать любую настройку, обслуживание или сервис.

- При работе всегда удерживайте инструмент обеими руками и стремитесь к устойчивому положению тела. Электроинструмент направляется более безопасно, когда держите его обеими руками.
- Прежде чем начать работу проверяйте с помощью подходящего металлоискателя наличие скрытой электро-, газо- и водопроводных труб и ищите содействие местных органов власти. Соприкосновение сверла со скрытой электроинсталляцией может вызвать пожара или поражения электрическим током. Повреждение газопровода может вызвать взрыва, а повреждение водопровода наносит вред собственности или поражает электрическим током.
- Удерживайте кабель питания вне зоны работы электроинструмента.
- В случае обнаружения повреждения кабеля не используйте электроинструмент. Если это случится во время работы, то сразу выньте штепсель из розетки питания. Поврежденные кабели повышают риск в получении токового удара.
- Всегда стремитесь к устойчивому положению корпуса. Во время работы с инструментом на высоте, убедитесь что внизу нет никого.
- Закрепляйте обрабатываемую деталь в тисках или иным подходящим способом.
- Следите за инерционным моментом во время пуска инструмента или в случае заедания сверла.
- Не трогайте сверла или обрабатываемую деталь сразу после работы. Они могут быть горячими и могут вызвать ожог кожи.
- Соблюдайте гигиену на рабочем месте. Смешение пыли разных материалов особенно опасно. Пыль из легких металлов может разгореться и взорваться.
- Никогда не бросайте тряпки, пакли, проводники или проволочки поблизости рабочего места.
- Всегда выключайте инструмент, прежде чем оставить его в сторону.
- Пользуйтесь электроинструментом только по назначению. Всякое другое пользование, отличное от указанного этой инструкцией будет считаться неправильным.. Ответственность за любое повреждение или ранение, происходящего от неправильного употребления, будет нести потребитель, а не производитель.
- Чтобы пользоваться правильно этот инструмент, нужно соблюдать правила безопасности, общие инструкции и указания к работе, указанных здесь. Все потребители должны ознакомиться с этой инструкцией по эксплуатации и проинформироваться о потенциальных рисках при работе с электроинструментом. Дети и физически слабые люди не должны пользоваться инструментом. За детей надо непрерывно наблюдать, если они находятся в зоне работы электроинструмента.

Обязательно надо принять превентивные меры безопасности. То же самое относится и к соблюдению основных правил профессионального здоровья и безопасности.

- Производитель не несет ответственность за изменения, сделанные потребителем на электроинструмент или за повреждения, вызванные подобными изменениями.
- Электроинструментом не следует пользоваться под открытым небом в дождливую погоду, во влажной среде (после дождя) или вблизи легко воспламеняемых жидкостей и газов. Рабочее место должно быть хорошо освещено.

Знакомство с электроинструментом

До того, как приступить к работе с электроинструментом, познакомьтесь со всеми оперативными особенностями и условиями безопасности.

Используйте электроинструмент и его принадлежности только по назначению. Всякое другое применение абсолютно запрещено.

1. Предохранительный винт
2. Быстрозажимный патрон
3. Место фиксации шпинделя
4. Держатель крепления на ремне
5. Вентиляционные отверстия
6. Рычаг смены направления вращения
7. Электронный регулятор оборотов
8. Выключатель
9. Кнопка застопоривания выключателя
10. Металлическая редукторная коробка

Указания по работе

Этот электроинструмент работает только при переменном напряжении. Его можно подключать к контактам без защитных клемм, т.к. он имеет двойную изоляцию согласно EN 60745 и IEC 60745. Радиопомехи соответствуют Директивы Европейского парламента и Совета 2004/108/ЕС относительно электромагнитной совместимости. Электроинструмент предназначен для сверления отверстий в стали, дереве, пластмассе и т.д.

ПЕРЕД НАЧАЛОМ РАБОТЫ



ПРЕДОСТЕРЕЖЕНИЕ: Убедитесь, что напряжение электросети соответствует обозначениям на табличке с техническими данными электроприбора.

- Проверьте положение выключателя. Электроинструмент необходимо подключать и выключать из электросети только в выключенном положении выключателя. Если Вы введете

штепсель в контакт в то время, когда переключатель находится во включенном положении, электроинструмент сразу же будет задействован, что может привести к несчастному случаю.

- Убедитесь в исправности кабеля питания и штепселя. В случае повреждения, замену кабеля должен выполнить или производитель, или его сервисный специалист, во избежание возможных рисков.



ПРЕДОСТЕРЕЖЕНИЕ: Прежде чем начать работу всегда проверяйте направление вращения. Пользуйтесь рычагом для изменения направления вращения при вполне остановленном шпинделя. Перемена направления без окончательной остановки шпинделя может привести к повреждению инструмента.

МОНТАЖ И И ДЕМОНТАЖ СВЕРЛА И НАКОНЕЧНИКА



ПРЕДОСТЕРЕЖЕНИЕ: Перед началом любой работы отключайте электроинструмент из сети и вынимайте штепсель из контакта.

Удерживая заднюю коронку патрона, вращайте переднюю коронку до тех пор, пока патрон не раскроется достаточно, чтобы вставить в него сверло или наконечник. Затяните переднюю коронку.

ПУСК – ОСТАНОВКА

Кратковременный пуск:

- Пуск: Нажать выключатель (8).
- Остановка: Отпустить выключатель (8).

Продолжительная работа:

- Пуск: Нажимая на выключатель (8), застопорить кнопку (9).
- Остановка: Однократно нажать и сразу же отпустить выключатель (8).



ПРЕДОСТЕРЕЖЕНИЕ: Перед тем, как вставить штепсель в контакт, всегда проверяйте, может ли сработать переключатель (8) и вернуться в положение «Выключено» после того, как будет отпущен.

ЭЛЕКТРОННАЯ РЕГУЛЯЦИЯ ОБОРОТОВ

Слегка нажать на выключатель (8), что приведет к работе дрели на низких оборотах, которые плавно увеличиваются до максимальных путем увеличения нажима на выключатель вплоть до крайнего положения.

ВЫБОР ОБОРОТОВ

Необходимые обороты можно выбрать путем вращения электронного регулятора (7) по часовой стрелке или обратно.

СМЕНА НАПРАВЛЕНИЯ ВРАЩЕНИЯ

Крайнее правое положение рычага (6) означает вращение часовой стрелке, а крайнее левое - обратно часовой стрелке.

При нажатии выключателя (8) рычаг (6) не срабатывает. Изменение направления вращения необходимо производить только в режиме остановки дрели.

ОТКРУЧИВАНИЕ И ЗАКРУЧИВАНИЕ БОЛТОВ, ВИНТОВ И ГАЕК

В патрон (2) вставляется описанным выше способом соответствующее приспособление для откручивания или закручивания болтов, гаек или винтов. С помощью рычага (6) для смены направления вращения выбрать режим откручивания/закручивания. Данные операции выполняются только на низких оборотах.



ПРЕДОСТЕРЕЖЕНИЕ: При закручивании длинных болтов и винтов существует опасность выскальзывания дрели.

ДЕМОНТАЖ ПАТРОНА

Удерживая заднюю коронку патрона, вращать переднюю коронку до тех пор, пока патрон не раскроется до конца.

С помощью отвертки открутить винт с левой резьбой. Вставить в патрон шестигранный наконечник или приспособление для откручивания винтов и стянуть. В место фиксации шпинделя (3) установить гаечный ключ, и вращать патрон обратно часовой стрелке.

РЕКОМЕНДАЦИИ ПРИ РАБОТЕ С ДРЕЛЬЮ

Работайте на более низких, чем максимальных, оборотах, подбирая обороты в зависимости от материала. Используйте сверла с цилиндрическим хвостиком. Следите за степенью остроты сверла, и проведите его замену, если замечаете значительное снижение производительности.

При сверлении отверстия с большим диаметром в металле, дереве или пластмассе, предварительно сделайте отверстие небольшим сверлом.

ПРИНАДЛЕЖНОСТИ, КОТОРЫЕ МОЖНО ИСПОЛЬЗОВАТЬ С ДАННЫМ ЭЛЕКТРОИНСТРУМЕНТОМ

- Сверла для металла диаметром от $\varnothing 0,8$ до $\varnothing 10$ mm.
- Сверла для древесины диаметром от $\varnothing 0,8$ до $\varnothing 20$ mm.
- Наконечники с шестигранником 6,35 mm (1/4") для закручивания винтов.

Обслуживание



ПРЕДОСТЕРЕЖЕНИЕ: Перед началом любой проверки или обслуживания отключайте электроинструмент и вынимайте штепсель из контакта.

ЗАМЕНА ЩЕТОК

Когда щетки изнашиваются, необходимо одновременно заменить обе щетки на оригинальные в сервисе SPARKY гарантийного и после гарантийного обслуживания.

ОБЩАЯ ПРОВЕРКА

Проверяйте регулярно все элементы крепления и убедитесь в том, что они крепко затянуты. В том случае, если какой-либо винт ослаблен, незамедлительно затяните его во избежание ситуаций, связанных с риском.

Если кабель питания поврежден, замена должна быть осуществлена производителем или его сервисным специалистом во избежание опасностей, связанных с заменой.

ЧИСТКА

В целях безопасности всегда поддерживайте электроинструмент и его вентиляционные отверстия (5) в чистоте.

В режиме вращающегося двигателя, не менее раза в неделю продуйте все вентиляционные отверстия от пыли и загрязнений сухим воздухом. Во время этой операции носите защитные очки. Внешние пластмассовые части можно протирать влажной салфеткой и слабым раствором моющего средства.



ПРЕДОСТЕРЕЖЕНИЕ: Несмотря на то, что внешние пластмассовые части устойчивы к растворителям, употребление каких-либо растворителей не допускается!

ВАЖНО! В целях безопасной работы электроинструмента и его надежности, весь ремонт, обслуживание и регулировка (включительно проверка и замена щеток) должны проводиться в специализированных сервисах SPARKY, при использовании только оригинальных запасных частей.

Гарантия

Гарантийный срок электроинструментов SPARKY указан в гарантийной карте.

Неисправности, появившиеся в результате естественного изнашивания, перегрузки или неправильной эксплуатации, не входят в гарантийные обязательства.

Неисправности, появившиеся вследствие применения некачественных материалов и/или из-за производственных ошибок, устраняются без дополнительной оплаты путем замены или ремонта.

Рекламации дефектного электроинструмента SPARKY принимаются в том случае, если машина будет возвращена поставщику, или специализированному гарантийному сервису в не разобранном (первоначальном) состоянии.

Замечания

Внимательно прочитайте всю инструкцию по эксплуатации перед тем, как использовать это изделие.

Производитель сохраняет за собой право вносить в свои изделия улучшения и изменения, а также изменять спецификации без предупреждения.

Спецификации для разных стран могут различаться.

Зміст

Введення.....	61
Технічні дані.....	63
Загальні вказівки з безпеки при роботі з електроприладами.....	64
Додаткові вказівки з техніки безпеки при роботі з дрилем	65
Знайомство з електроприладом.....	A/66
Вказівки по роботі	66
Обслуговування	67
Гарантія	68

РОЗПАКУВАННЯ

У відповідність із загальноприйнятими технологіями великосерійного виробництва, майже не існує ризику поломки Вашого електроінструменту, або відсутності будь-якої з його частин. Якщо Ви все ж таки встановили пошкодження, не використовуйте електроприлад до тих пір, поки дефектна частина не буде замінена, а несправність - усунена. Порушення цієї рекомендації може призвести до серйозного трудового інциденту.

ЗБІРКА

Дрель BR 100E, BR 101E поставляється в упакованому і повністю зібраному вигляді.

Введення

Придбаний Вами електроінструмент SPARKY перевершить Ваші очікування. Він зроблений у відповідності до високих стандартів якості SPARKY, що відповідають суворим вимогам споживача. Його легко обслуговувати і він безпечний при експлуатації, при правильному використанні цей електроінструмент буде служити Вам довгі роки.



ЗАСТЕРЕЖЕННЯ!

Прочитайте уважно і цілком інструкцію з експлуатації, перед використанням новоприданого електроінструменту SPARKY. Зверніть спеціальну увагу на параграфи, позначених словом "**Застереження**". У Вашого електроінструменту SPARKY багато якостей, які полегшують роботу. При розробці цього інструменту основну увагу було направлено на безпеку, експлуатаційні якості і надійність, які полегшують його обслуговування і експлуатацію.



Не викидайте електроінструменти разом з побутовими відходами!

Відходи від електричних виробів не варто збирати разом з побутовими відходами. Будь ласка, викидайте в місцях, призначених для цього. Зв'яжіться з місцевою владою або представником для консультації щодо повторної переробки.



ОХОРОНА НАВКОЛИШНЬОГО СЕРЕДОВИЩА

З урахуванням охорони навколишнього середовища електроінструмент, приналежності й упаковка повинні надати відповідній переробці для повторного використання сировини, що міститься в них. Для полегшення повторної переробки деталей, зроблених з штучних матеріалів, вони позначені відповідним чином.

ОПИС СИМВОЛІВ

На таблиці з даними електроінструменту нанесені спеціальні символи. Вони являють собою важливу інформацію про використання інструмента і його характеристики.



Подвійна ізоляція для додаткового захисту



Електроніка для попереднього налаштування швидкості



Реверс



Відповідає чинним європейським директивам



Відповідність вимогам російських нормативних документів



Відповідність вимогам українських нормативних документів



Ознайомтеся з інструкцією з експлуатації


YYYY-Www

Термін виробництва, де змінними символами є:
YYYY - рік випуску, ww – черговий календарний тиждень

BR

ДРИЛЬ

Технічні дані

Модель:	BR 100E	BR 101E
• Споживана потужність	350 W	500 W
• Швидкість обертання на холостому ході:	0–3000 min ⁻¹	0–3000 min ⁻¹
• Електроніка для регулювання швидкості обертів, реверс:	Так	Так
• Зміна напрямку обертання:	Так	Так
• Розмір магазину:	0.8–10 mm	0.8–10 mm
• Максимальний діаметр сверела для сталі / дерева:	10 / 20 mm	10 / 20 mm
• Вага (ЕРТА процедура 01/2003):	1.2 kg	1.5 kg
• Клас захисту (EN 60745) 	II	II

Інформація про шум та вібрації

• Рівень шуму (Показники заміряні відповідно до стандарту EN 60745):		
A-зважений рівень звукового тиску L _{ра}	82 dB(A)	83 dB(A)
Невизначеність K _A	3 dB	3 dB
A-зважений рівень звукової потужності L _{WA}	93 dB(A)	94 dB(A)
Невизначеність K _{WA}	3 dB	3 dB



Використовуйте засоби захисту від шуму!

• Рівень вібрацій * (Показники заміряні відповідно до п. 6.2.7 EN 60745-1) Сумарні показники вібрацій (векторна сума трьох напрямків), визначена відповідно до EN 60745		
• Свердління сталі:		
Показник виділених вібрацій a _{hD}	<2.5 m/s ²	<2.5 m/s ²
Невизначеність K _D	1.5 m/s ²	1.5 m/s ²

* Вказаний в інструкції рівень вібрацій виміряний відповідно до встановлених EN 60745 методик випробувань, і може використовуватися для порівняння електроінструментів. Рівень вібрацій може використовуватися для попередньої оцінки впливу.

Зазначений рівень вібрацій надано за умови використання інструменту за його прямим призначенням. У тих випадках, коли електроінструмент використовується для інших цілей, з іншими речами, рівень вібрацій може відрізнятись від зазначеного. У цих випадках рівень впливу може значно зрости в рамках загального періоду роботи.

Для точної оцінки впливу вібрацій, під час певного періоду роботи необхідно враховувати проміжки часу, в які електроінструмент вимкнено, або хоча і включений, але фактично не використовується. Це може істотно скоротити вплив вібрацій протягом всього періоду роботи.

Зберігайте електроінструмент і його речі в гарному стані. Під час роботи намагайтеся зберігати руки теплими - це допоможе зменшити шкідливий вплив при роботі з підвищеною вібрацією.

Пил матеріалів, наприклад - фарби з вмістом свинцю, деяких сортів деревини, мінералів і металу може бути шкідливим для здоров'я. Дотик до пилу і потрапляння пилу в дихальні шляхи може викликати алергічні реакції та / або захворювання дихальних шляхів оператора або персоналу, що знаходиться поблизу.

Певні види пилу, наприклад, з дуба та бука, вважаються канцерогенними, особливо, спільно з присадками для обробки деревини (хромат, засіб для захисту деревини, тощо). Матеріал з вмістом азбесту дозволяється обробляти тільки фахівцям.

- По можливості застосовуйте відсмоктування пилу.
- Для досягнення максимально високої ефективності збирання пилу при роботі з даним приладом, використовуйте пилосос, призначений для збору пилу з деревини або для пилу з деревини та / або мінерального пилу.
- Слідкуйте за хорошою вентиляцією.
- Рекомендується користуватися дихальною захисною маскою з фільтром класу P2.

Дотримуйтесь розпорядження щодо оброблюваних матеріалів, що діють у Вашій країні.

Загальні вказівки з безпеки при роботі з електроприладами



ЗАСТЕРЕЖЕННЯ! Прочитайте всі попередження і вказівки з безпеки. Недодержання попереджень і вказівок з безпеки може призвести до ураження електричним струмом, пожежі та / або важкого поранення.

Збережіть всі попередження та вказівки для подальшого використання.

Термін "електроприлад" у всіх зазначених нижче попередженнях стосується вашого електроприладу, з живленням від мережі (з кабелем), та / або електроприладу з живленням від акумуляторної батареї (без кабелю).

1. БЕЗПЕКА РОБОЧОГО МІСЦЯ

- Утримайте робоче місце в чистоті і добре освітленим. Безлад і недостатнє освітлення є передумовою виникнення трудових інцидентів.
- Не працюйте з електроприладами у вибухо-небезпечній атмосфері при наявності займистих рідин, газів або пилу. Електроприлади створюють іскри, що можуть займати пил або пари.
- Тримайте дітей та сторонніх осіб на відстані, коли працюєте з електроприладом. Розсіювання уваги може призвести до втрати контролю з Вашого боку.

2. ЕЛЕКТРИЧНА БЕЗПЕКА

- Штепселі електроприладів повинні відповідати контактним гніздам. Ніколи не змінюйте штепсель у будь-який спосіб. Не використовуйте будь-які адаптерні штепселі для електроприладів із захисним заземленням. Використання оригінальних штепселів і відповідних їм контактів зменшує ризик удару електричним струмом.
- Уникайте дотику тіла з землею або заземленими поверхнями, такими як труби, радіатори, кухонні плити та холодильники. Якщо ваше тіло заземлене, існує підвищений ризик ураження електричним струмом.
- Не залишайте електроприлади під дощем або у вологому середовищі. Проникнення води в електроприлади підвищує ризик ураження електричним струмом.
- Використовуйте кабель за призначенням. Ніколи не використовуйте кабель для перенесення електроприладу, натягування або відключення штепселя з контактного гнізда. Тримайте кабель далеко від тепла, олії, гострих кутів, що рухаються. Пошкоджені або заплутані кабелі підвищують ризик поразок електричним струмом.
- Під час зовнішніх робіт використовуйте по-

довжувач, що підходить для цих цілей. Використання подовжувача, призначеного для зовнішніх робіт, зменшує небезпеку від ураження електричним струмом.

- У випадку, якщо робота з електроприладом у вологому середовищі неминуча, використовуйте запобіжний пристрій, який робить на залишковому струмі для переривання подачі струму. Використання запобіжного пристрою зменшує ризик ураження електричним струмом.

3. ОСОБИСТА БЕЗПЕКА

- Будьте пильні, працюйте з підвищеною увагою і проявляйте розсудливість, коли працюєте з електроприладом. Не використовуйте електроприлад, коли ви стомлені, або під впливом наркотиків, алкоголю, медикаментів, тощо. Одна мить неуваги при роботі з електроприладом може призвести до серйозної виробничої травми.
- Використовуйте індивідуальні засоби захисту. Носіть завжди захисні окуляри. Індивідуальні засоби захисту, такі як маска проти пилу, неслизьке взуття, захисний шолом або засоби для захисту слуху, що використовуються в конкретних умовах, знижують ризик виникнення виробничих травм.
- Уникайте мимовільного пуску інструменту. Переконайтеся, що вимикач знаходиться в положенні "вимкнено" перед включенням в джерело живлення та / або акумуляторної батареї, перед тим, візьмете в руки або перенесите. Носіння електроприладу з пальцем на вимикачі або підключення до джерела живлення електричного інструменту з вимикачем у включеному положенні є передумовою для виробничої травми.
- Видаліть кожен гайковий ключ перед включенням електроприладу. Ключ для затягування або гайковий ключ, прикріплений до частини електроприладу, що обертається, може призвести до трудового інциденту.
- Не простягайтеся занадто. Підтримуйте правильне положення і рівновагу протягом всієї роботи. Це дозволить краще керувати електроприладом у несподіваних ситуаціях.
- Носіть придатний одяг. Не носіть широкий одяг або прикраси. Тримайте своє волосся, одяг і рукавички далеко від рухомих частин. Широкий одяг, біжутерія та довге волосся можуть потрапити в рухомі частини.
- Якщо електроприлад має пристосування для пилу, переконайтеся, що воно правильно встановлено і правильно використовується. Використання цих пристроїв може знизити пов'язані з пилом небезпеки.

4. ЕКСПЛУАТАЦІЯ І ДОГЛЯД ЗА ЕЛЕКТРОПРИЛАДАМИ

- Не перевантажуйте електроприлад. Використовуйте правильно вибраний електроприлад згідно з його призначенням. Правильно підібраний електроприлад працює краще і безпечніше для оголошеного режиму роботи, для якого він

спроєктований.

- b) Не використовуйте електроприлад у випадку, якщо вимикач не переходить у включену і вилучену позицію. Кожен електроприлад, який не може управлятися за допомогою вимикача, є небезпечним і підлягає ремонту.
- c) Вимкніть штепсель від електромережі перед тим, як почати будь-які налаштування, перед замінюючи приладдя або перед тим, як прибрати електроприлад для зберігання. Ці запобіжні заходи знижують ризик мимовільного пуску електроприладу.
- d) Зберігайте невикористані електроприлади в місцях, недоступних для дітей, і не дозволяйте користуватися ним обслуговуючому персоналу, який не знайомий з електроприладом або інструкціями з експлуатації. Електроприлади є небезпечними в руках ненавчених споживачів.
- e) Перевіряйте електроприлади. Перевіряйте, чи працюють нормально і рухаються вільно рухомі частини, чи знаходяться в цілості і справності усі частини, а також перевіряйте всі інші обставини, які можуть негативно вплинути на роботу електроприладу. У разі ушкодження електроприлад необхідно відремонтувати перед його подальшим використанням. Багато інцидентів заподіюються у випадку поганого обслуговування електроприладів.
- f) Підтримуйте ріжучі інструменти гострими і чистими. Правильно підтримані ріжучі інструменти з гострими кутами рідше блокуються і простіше управляються.
- g) Використовуйте електроприлад, приналежності (комплектуючі) і частини інструменту і т.д. відповідно до цих інструкцій та у засіб, передбачений для конкретного типу електроприладу, маючи на увазі робочі умови і роботу, яку необхідно виконувати. Використання електроприладу для роботи не за призначенням може призвести до небезпечної ситуації.

5. ТЕХНІЧНЕ ОБСЛУГОВУВАННЯ

- a) Ремонтуйте ваш електроприлад у кваліфікованого фахівця з ремонту, при цьому використовуйте тільки оригінальні запасні частини. Це забезпечує безпеку електроприладу.

Додаткові вказівки з техніки безпеки при роботі з дрилем



Користуйтеся засобами захисту слуху при роботі з відбійним молотком. Інтенсивний шум під час роботи може призвести до втрати слуху.

- Використовуйте кожух редуктора як додаткову рукоять. Втрата контролю може призвести до нещасного випадку.



Під час роботи використовуйте засоби захисту зору, щоб запобігти частинок, що розлітаються. Користуйтеся захисними окулярами.



Вживати заходів обережності проти вдиху пилу. Деякі матеріали можуть містити токсичні компоненти. Користуйтеся пилозахисною маскою і пристроєм пило-відведення.

- Якщо існує можливість контакту ріжучого приладдя з прихованою електропроводкою або з власним дротом живлення, тримайте електроінструмент тільки за ізольовані поверхні рукоятки. Контакт приладдя зі струмоведучим проводом ставить під напругу також відкриті металеві частини електроінструменту і може призвести до ураження оператора електричним струмом.
- Не обробляйте матеріали, що містять азбест. Азбест вважається канцерогенною речовиною.



ЗАСТЕРЕЖЕННЯ: Перш ніж підключити електроінструмент до мережі живлення, переконайтеся, що напруга живлення відповідає значенням на табличці технічним даним електроінструменту.

- Якщо джерело живлення напругою вище зазначеної для електроінструменту, то воно може викликати серйозне ураження оператора електричним струмом і пошкодження електроінструменту.
- Якщо ви не впевнені, не вставляйте штепсель електроінструменту у розетку мережі.
- Використання джерела живлення з більш низькою ніж позначеною на табличці електроінструменту напругою зашкодить електродвигуну.
- Для запобігання еventуального перегрівання, завжди розмотуйте кабель із подовжувачем із кабельним барабаном до кінця.
- Якщо є необхідність використовувати подовжувач, переконайтеся, що його переріз відповідає номінальному струму електроінструменту, що використовується; також переконайтеся у справності подовжувача.



ЗАСТЕРЕЖЕННЯ: Завжди вимикайте електроприлади і штепсель із розетки живлення, перш ніж проводити будь-яке налаштування, обслуговування або ремонт.

- Час роботи завжди тримайте інструмент обома руками і намагайтеся підтримувати стійке положення тіла. Електроінструмент направляє більш безпечно, якщо його тримати обома руками.
- Перед початком роботи перевіряйте відповідним металошукачем наявність прихованої електроінсталяції, газопроводу або водопровідних труб або вимагайте сприяння місцевих служб. Дотик свердла до прихованої електропроводки може викликати ураження електричним струмом. Пошкодження газопроводу може викликати вибух,

а пошкодження водопроводу завдає шкоди власності або вражає електричним струмом.

- Утримуйте кабель живлення поза зоною роботи електроінструмента.
- У разі виявлення пошкодження кабелю не використовуйте електроінструмент. Якщо це станеться під час роботи, то відразу вийміть штепсель із розетки живлення. Пошкоджені кабелі підвищують ризик одержання ураження струмом.
- Завжди намагайтеся забезпечити стійке положення тіла. Під час роботи з інструментом на висоті, переконайтеся що внизу немає нікого.
- Закріплюйте оброблювану деталь у лещатах або іншим відповідним способом.
- Слідкуйте за інерційним моментом під час пуску інструменту або у випадку заїдання свердла.
- Не чіпайте свердло або оброблювану деталь відразу після роботи. Вони можуть бути гарячими і можуть викликати опік шкіри.
- Дотримуйтесь гігієни на робочому місці. Змішана пила різних матеріалів особливо небезпечно. Пил із легких металів може розгорітися і вибухнути.
- Ніколи не кидайте ганчірки, клоччя, провідники або дрот поблизу робочого місця.
- Завжди вимикайте інструмент, перш ніж покласти його у сторону.
- Користуйтеся електроінструментом тільки за призначенням. Будь-яке інше користування, відмінне від зазначеного цією інструкцією буде вважатися неправильним. Відповідальність за будь-яке пошкодження або поранення, що настає внаслідок неправильного використання, несе споживач, а не виробник.
- Щоб правильно використовувати цей інструмент, потрібно дотримуватися правил безпеки, загальних інструкцій і вказівок до роботи, зазначених тут. Всі споживачі повинні познайомитися з цією інструкцією з експлуатації та поінформувати про потенційні ризики під час роботи з електроінструментом. Діти і фізично слабкі люди не повинні використовувати інструмент. За дітьми необхідно постійно спостерігати, якщо вони знаходяться у зоні роботи електроінструмента. Обов'язково треба вдатися до превентивних заходів безпеки. Те ж саме відноситься і до дотримання основних правил охорони праці, здоров'я і безпеки.
- Виробник не несе відповідальності за зміни, внесені споживачем в електроінструмент, або за пошкодження, викликані такими змінами.
- Електроінструментом не слід користуватися під відкритим небом у дощову погоду, у вологому середовищі (після дощу) або поблизу легкозаймистих рідин і газів. Робоче місце має бути добре освітлене.

Знайомство з електроприладом

Перед початком експлуатації цієї електродрили ознайомтеся з усіма його оперативними особливостями і умовами безпечної роботи.

Використовуйте електроінструмент і його комплектуючі тільки за призначенням. Будь-яке інше застосування абсолютно заборонене.

1. Запобіжний гвинт
2. Швидкозажимний патрон
3. Місце фіксації шпинделя
4. Держатель кріплення на ремені
5. Вентиляційні отвори
6. Важіль зміни напрямку обертання
7. Електронний регулятор оборотів
8. Вимикач
9. Кнопка гальмування вимикача
10. Металева редукторна коробка (BR 101E)

Вказівки по роботі

Цей електроінструмент працює тільки при змінній напрузі. Його можна включати в розетку живлення без захисних клем, так як він обладнаний подвійною ізоляцією згідно з EN 60745 і IEC 60745. Радіоперешкоди відповідають Директиві Європейського парламенту та Ради 2004/108/EC з електромагнітної сумісності.

Цей електроінструмент призначений для свердління отворів в сталі, дереві, пластмасі, тощо.

ПЕРЕД ПОЧАТКОМ РОБОТИ



ЗАСТЕРЕЖЕННЯ: Переконайтеся у відповідності напруги електричної мережі живлення і зазначених на табличці технічних даних електроінструменту.

- Перевірте в якій позиції знаходиться вимикач. Електроінструмент повинен включатися і виключатися з електричної мережі тільки у вимкненому положенні вимикача. Якщо вставити штепсель у розетку в позиції вимикача "включено", двигун починає негайно працювати, що може призвести до нещасного випадку.
- Переконайтеся у справності кабелю живлення і штепселя. У разі виявлення пошкодження кабелю, його заміну повинен виконати тільки виробник, або спеціаліст фірмового сервісу, щоб уникнути ризику.



ЗАСТЕРЕЖЕННЯ: Перш ніж почати роботу завжди перевіряйте напрямок обертання. Користуйтеся важелем для зміни напрямку обертання у разі повного зупинення шпинделя. Зміна напрямку без остаточної зупинки шпинделя може привести до пошкодження інструменту.

МОНТАЖ И ДЕМОНТАЖ СВЕРДЛА И НАКОНЕЧНИКА



ЗАСТЕРЕЖЕННЯ: Перед початком будь-якої роботи відключайте електроінструмент з мережі і виймайте штепсель з контакту.

Утримуючи задню коронку патрона, обертайте передню коронку до тих пір, поки патрон не розкриється достатньо, щоб вставити в нього свердло або наконечник. Затягніть передню коронку.

ПУСК – ЗУПИНКА

Короткочасин пуск:

- Пуск: Натисніть перемикач (8).
- Зупинка: відпустіть перемикач (8).

Тривала робота:

- Пуск: Натиснути перемикач (8) та застопорити кнопкою (9).
- Зупинка: натиснути і негайно відпустити перемикач (8).



ЗАСТЕРЕЖЕННЯ: Перед тим, як вставляти штепсель у контакт, завжди перевіряйте, чи спрацює перемикач (8), щоб повернутися в положення «Вимкнено» після того, як буде звільнений.

ЕЛЕКТРОНІКА ДЛЯ РЕГУЛЮВАННЯ ОБЕРТІВ

Легке натискання вимикача (8) приведе до роботи дрилі на низьких оборотах, які плавно збільшуються до максимальних шляхом збільшення тиску на вимикач аж до крайнього положення.

НАСТРОЙКА ОБЕРТІВ

Необхідні обороти можна налаштувати шляхом обертання електронного регулятора (7) за годинниковою стрілкою або навпаки.

РЕВЕРС

У крайньому правому положенні важеля (6) шпindel обертається за годинниковою стрілкою, а в крайньому лівому - проти неї. У натиснутому положенні перемикача (8), важіль 6 не може бути задіяний. Реверс здійснюється тільки тоді, коли прилад знаходиться у спокої.

ВІДГВИНЧУВАННЯ / ЗАГВИНЧУВАННЯ БОЛТІВ, ГВИНТІВ, ГАЙОК

В патрон (2) вставити описаним вище способом відповідне пристосування для відкручування або закручування болтів, гайок або гвинтів. За допомогою важеля (6) для реверсу обрати режим відкручування / закручування. Дані операції виконуються тільки на низьких оборотах.



ЗАСТЕРЕЖЕННЯ: При закручуванні довгих болтів і гвинтів існує небезпека вислизання інструмента!

ДЕМОНТАЖ ПАТРОНА

Утримуючи задню коронку патрона, обертайте передню коронку до тих пір, поки патрон не розкриється до кінця.

За допомогою викрутки відкрутити гвинт з лівою різьбою. Вставити в патрон шестигранний наконечник або пристосування для відкручування гвинтів і затягнути. У місце фіксації шпindelя (3) встановити гайковий ключ, і обернути патрон проти годинникової стрілки.

РЕКОМЕНДАЦІЇ З РОБОТИ ДРИЛІ

Працюйте на більш низьких, ніж максимальні, оборотах, підбираючи обороти в залежності від матеріалу.

Використовуйте свердла з циліндричним хвостиком.

Слідкуйте за ступенем гостроти свердла, і проведіть його заміну, якщо помітите значне зниження продуктивності.

При свердлінні отворів з великим діаметром у металі, дереві або пластмасі, попередньо зробіть отвір невеликим свердлом.

ОСНАЩЕННЯ, ЯКЕ МОЖНА ВИКОРИСТОВУВАТИ З ЦИМ ПРИБАДОМ

- Свердла для металу діаметром від $\varnothing 0,8$ до $\varnothing 10$ mm.
- Свердла для деревени діаметром от $\varnothing 0,8$ до $\varnothing 20$ mm.
- Наконечники з шестигранником 6,35 mm (1/4") для закручування гвинтів.

Обслуговування



ЗАСТЕРЕЖЕННЯ: Завжди вимикайте електроприлади і виймайте штепсель з розетки перед кожною перевіркою або обслуговуванням електроприладу.

ЗАМІНА ЩІТОК

Якщо щітки зношені, необхідно обидві щітки одночасно замінити новими оригінальними щітками в сервісі SPARKY для гарантійного та після гарантійного обслуговування.

ЗАГАЛЬНА ПЕРЕВІРКА

Перевіряйте регулярно всі елементи кріплення і переконайтеся у тому, що вони міцно затягнуті. У тому випадку, якщо який-небудь гвинт послабле-

ний, негайно затягніть його, щоб уникнути ситуацій, пов'язаних із ризиком.

Якщо кабель живлення пошкоджений, заміна повинна бути здійснена виробником або його сервісним фахівцем, щоб уникнути небезпек, пов'язаних із заміною.

ПІДТРИМАННЯ ЧИСТОТИ

Для забезпечення безпеки робіт завжди підтримуйте машину і вентиляційні отвори (5) чистими.

У режимі обертового двигуна, не менше рази на тиждень продуйте все вентиляційні отвори від пилу і забруднень сухим повітрям. Під час цієї операції носіть захисні окуляри. Зовнішні пластмасові частини можна протирати вологою серветкою і слабким розчином миючого засобу.



ЗАСТЕРЕЖЕННЯ: Не дивлячись на те, що зовнішні пластмасові частини стійкі до розчинників, вживання будь-яких розчинників заборонено!

УВАГА! З метою безпечної роботи електроінструменту і його надійності ремонт, обслуговування і регулювання (включно перевірку і заміну щіток) слід здійснювати в спеціалізованих сервісах SPARKY, з використанням тільки оригінальних запасних частин.

Гарантія

Гарантійний термін електроприладів SPARKY вказаний в гарантійній карті

Несправності, що з'явилися в результаті природного зношування, перевантаження або неправильного користування, не входять до гарантійних зобов'язань.

Несправності, що з'явилися внаслідок застосування неякісних матеріалів та / або через виробничі помилки, усуваються без додаткової оплати шляхом заміни або ремонту.

Рекламації дефектного електроприладу SPARKY приймаються у тому випадку, якщо прилад буде повернуто постачальнику, або спеціалізованому гарантійного сервісу в не розібраному (початковому) стані.

Примітки

Уважно прочитайте всю інструкцію з експлуатації, перед тим, як приступити до використання виробу.

Виробник зберігає за собою право вносити у свої вироби поліпшення і зміни, а також змінювати специфікації без застереження.

Специфікації для різних країн можуть відрізнятися.

Съдържание

Въведение	69
Технически данни	71
Общи указания за безопасност при работа с електроинструменти	72
Допълнителни указания за безопасност при работа с бормашины	73
Запознаване с електроинструмента	A/74
Указания за работа	74
Поддръжка	76
Гаранция	76

РАЗОПАКОВАНЕ

В съответствие с общоприетите технологии на производство е малко вероятно новопридобитият от Вас електроинструмент да е неизправен или някоя от частите му да липсва. Ако забележите, че нещо не е наред, не работете с електроинструмента докато повредената част не се смени или дефектът не бъде отстранен. Неизпълнението на тази препоръка може да доведе до сериозна трудова злополука.

СГЛОБЯВАНЕ

Бормашината се доставя опакована и напълно сглобена.

Въведение

Новопридобитият от Вас електроинструмент SPARKY ще надхвърли Вашите очаквания. Той е произведен в съответствие с високите стандарти на качеството на SPARKY, отговарящи на строгите изисквания на потребителя. Лесен за обслужване и безопасен при експлоатация, при правилна употреба този електроинструмент ще Ви служи надеждно дълги години.



ПРЕДУПРЕЖДЕНИЕ!

Внимателно прочетете цялата инструкция за експлоатация преди да използвате новопридобития си електроинструмент SPARKY. Обърнете специално внимание на текстовете, които започват с думата **“Предупреждение”**. Вашият електроинструмент SPARKY притежава много качества, които ще улеснят Вашата работа. При разработката на този електроинструмент най-голямо внимание е обърнато на безопасността, експлоатационните качества и надеждността, които го правят лесен за поддръжка и експлоатация.



Не изхвърляйте електроинструменти заедно с битовите отпадъци!

Отпадъците от електрически изделия не трябва да се събират заедно с битовите отпадъци. Моля, рециклирайте на местата, предназначени за това. Свържете се с местните власти или представител за консултация относно рециклирането.

ОПАЗВАНЕ НА ОКОЛНАТА СРЕДА



С оглед опазване на околната среда електроинструментът, принадлежностите и опаковката трябва да бъдат подложени на подходяща преработка за повторно използване на съдържащите се в тях суровини. За облекчаване на рециклирането детайлите, произведени от изкуствени материали, са обозначени по съответния начин.

ОПИСАНИЕ НА СИМВОЛИТЕ

На табелката с технически данни върху електроинструмента са изобразени символи. Те представляват важна информация за изделието или указания за неговата употреба.



Двойна изолация за допълнителна защита



Електроника за предварителен избор на оборотите



Реверс



Съответства на приложимите европейски директиви.



Съответства на изискванията на руските нормативни документи



Съответства на изискванията на украинските нормативни документи



Запознайте се с инструкцията за използване

YYYY-Www

Период на производство, където променливи символи са:

YYYY - година на производство, ww - поредна календарна седмица

BR

БОРМАШИНА

Технически данни

Модел:	BR 100E	BR 101E
• Консумирана мощност:	350 W	500 W
• Обороти на празен ход:	0–3000 min ⁻¹	0–3000 min ⁻¹
• Електронно регулиране на оборотите:	Да	Да
• Смяна посоката на въртене:	Да	Да
• Обхват на патронника:	0.8–10 mm	0.8–10 mm
• Макс. диаметър на свредлото за стомана / дърво:	10 / 20 mm	10 / 20 mm
• Тегло (ЕРТА процедура 1/2003):	1.2 kg	1.5 kg
• Клас на защита (EN 60745) 	II	II

Информация за шум и вибрации

• Излъчване на шум (стойностите са измерени съгласно EN 60745):		
A-претеглено ниво на звуково налягане L _{ра}	82 dB(A)	83 dB(A)
Неопределеност K _{ра}	3 dB	3 dB
A-претеглено ниво на звукова мощност L _{ва}	93 dB(A)	94 dB(A)
Неопределеност K _{ва}	3 dB	3 dB



Използвайте средства за защита от шума!

• Излъчване на вибрации (определени съгласно т. 6.2.7 на EN 60745-1): <i>обща стойност на вибрациите (векторна сума по трите оси), определена съгласно EN 60745</i>		
• Пробиране в стомана:		
Стойност на излъчените вибрации a _{h,D}	<2.5 m/s ²	<2.5 m/s ²
Неопределеност K _D	1.5 m/s ²	1.5 m/s ²

Посоченото в тази инструкция ниво на вибрации е измерено в съответствие с методиката за изпитване, указана в EN 60745 и може да се използва за сравняване на електроинструменти. Нивото на вибрации може да се използва за предварителна оценка на степента на въздействие.

Декларираното ниво на вибрации се отнася за основното предназначение на електроинструмента. В случаите, при които електроинструментът се използва за друго предназначение, с други принадлежности или ако електроинструментът не се поддържа добре, нивото на вибрации може да се различава от посоченото. В тези случаи нивото на въздействие може значително да нарасне в границите на общия период на работа.

При оценката на нивото на въздействие на вибрации трябва също да се отчита времето, през което електроинструментът е изключен или е включен, но не се използва. Това може значително да понижи нивото на въздействие в границите на общия период на работа.

Поддържайте електроинструмента и принадлежностите в добро състояние. Пазете ръцете си топли по време на работа - това ще намали вредното въздействие при работа с повишени вибрации.

Прахът, отделен при обработването на материали като оловосъдържащи бои, някои видове дървесина, минерали и метали, може да бъде опасен за здравето. Допирът или вдишването на праха може да предизвика алергични реакции и/или заболявания на дихателните пътища на оператора или на намиращи се в близост лица.

Някои видове прах, например от дъб или бук, се считат за канцерогенни, особено в комбинация с добавки за обработка на дървесина (хромат, консерванти). Материал, който съдържа азбест, трябва да се обработва само от специалисти.

- Когато това е възможно, използвайте прахоотвеждане.
- За да се постигне висока степен на прахоулавяне, при работа с този електроинструмент използвайте прахосмукачка, предназначена за събиране на прах от дървесина или за прах от дървесина и/или минерален прах.
- Осигурете добра вентилация на работното място.
- Препоръчва се използването на защитна маска за прах с филтър клас P2.

Спазвайте действащите във вашата страна разпоредби за обработване на съответните материали.

Общи указания за безопасност при работа с електроинструменти



ПРЕДУПРЕЖДЕНИЕ! Четете всички предупреждения и указания за безопасност. Неспазването на предупрежденията и указанията за безопасност може да предизвика поражение от електрически ток, пожар и/или сериозно нараняване.

Запазете всички предупреждения и указания за бъдещо ползване.

Терминът „електроинструмент“ във всички описани по-долу предупреждения се отнася до вашия електроинструмент, захранван от мрежата (с шнур) и/или електроинструмент, захранван от акумулаторна батерия (без шнур).

1. БЕЗОПАСНОСТ НА РАБОТНОТО МЯСТО

- Поддържайте работното място чисто и добре осветено. Безпорядъкът и недостатъчното осветление са предпоставка за трудови злополуки.
- Не работете с електроинструменти в експлозивни атмосферни при наличие на запалими течности, газове или прах. Електроинструментите образуват искри, които могат да възпламенят праха или парите.
- Дръжте децата и страничните лица на разстояние, когато работите с електроинструмент. Разсейването може да доведе до загуба на контрол от Ваша страна.

2. ЕЛЕКТРИЧЕСКА БЕЗОПАСНОСТ

- Щепселите на електроинструментите трябва да съответстват на контактите. Никога не променяйте щепсела по какъвто и да било начин. Не използвайте каквито и да са адаптерни щепсели за електроинструменти със запитно заземяване. Употребата на непроменени щепсели и съответстващите им контакти намалява риска за поражение от електрически ток.
- Избягвайте допир на тялото до земя или до заземени повърхности, такива като тръби, радиатори, кухненски печки и хладилници. Ако тялото ви е заземено, съществува повишен риск от поражение от електрически ток.
- Не излагайте електроинструментите на дъжд или във влажна среда. Проникването на вода в електроинструмента повишава риска от поражение от електрически ток.
- Използвайте шнура по предназначение. Никога не използвайте шнура за носене на електроинструмента, опъване или изваждане на щепсела от контактното гнездо. Дръжте шнура далеч от топлина, масло, остри ръбове или движещи се части. Уредени или оплетени шнура повишават риска за поражение

от електрически ток.

- При работа с електроинструмента на открито, използвайте удължител, подходящ за работа на открито. Използването на удължител, подходящ за работа на открито, намалява риска от поражение от електрически ток.
- Ако работата с електроинструмента във влажна среда е неизбежна, използвайте предпазно устройство, задействано от остатъчен ток, за прекъсване на захранването. Използването на предпазно устройство намалява риска от поражение от електрически ток.

3. ЛИЧНА БЕЗОПАСНОСТ

- Бъдете бдителни, работете с повишено внимание и проявявайте благодарумие, когато работите с електроинструмент. Не използвайте електроинструмента, когато сте уморени или под влияние на наркотици, алкохол или медикаменти. Момент на невнимание при работа с електроинструмент може да предизвика сериозна трудова злополука.
- Използвайте лични предпазни средства. Носете винаги средства за защита на очите. Лични предпазни средства, като маска против прах, непълзгащи се безопасни обувки, защитен шлем или средства за защита на слуха, използвани при конкретните условия, намаляват риска от трудова злополука.
- Избягвайте неволно пускане. Убедете се, че прекъсвачът е в изключено положение преди включване към източник на захранване и/или акумулаторна батерия, преди да го вземете или пренасяте. Носенето на електроинструмент с пръст върху прекъсвача или свързването към източник на захранване на електроинструмент с прекъсвач във включено положение е предпоставка за трудова злополука.
- Отстранете всеки ключ за затягане или гаечен ключ преди включване на електроинструмента. Ключ за затягане или гаечен ключ, прикрепен към въртяща се част на електроинструмента, може да предизвика трудова злополука.
- Не се пресягайте. Поддържайте правилен стоеж и равновесие през цялото време. Това позволява по-добро управление на електроинструмента при неочаквани ситуации.
- Носете подходящо работно облекло. Не носете широки дрехи или бижута. Дръжте косите си, дрехите и ръкавиците далеч от движещи се части. Широки дрехи, бижута или дълги коси могат да се захванат от движещи се части.
- Ако електроинструментът е снабден с приспособления за засмукване и улавяне на прах, убедете се, че те са свързани и правилно използвани. Използването на тези устройства може да намали свързаните с прах опасности.

4. ИЗПОЛЗВАНЕ И ГРИЖИ ЗА ЕЛЕКТРОИНСТРУМЕНТИТЕ

- Не претоварвайте електроинструмента. Използвайте правилно избрания електро-

инструмент според приложението. *Правилно избраният електроинструмент работи по-добре и по-безопасно при обявения режим на работа, за който е проектиран.*

- b) Не използвайте електроинструмента, ако прекъсвачът не превключва във включено и изключено положение. *Всеки електроинструмент, който не може да бъде управляван с прекъсвач, е опасен и трябва да бъде ремонтиран.*
- c) Разединете щепсела от захранващата мрежа преди да извършите всякакви настройки, преди замяна на принадлежности или преди да приберете електроинструмента за съхранение. *Тези предпазни мерки за безопасност намаляват риска от неволно пускане на електроинструмента.*
- d) Съхранявайте неизползваните електроинструменти на места, недостъпни за деца и не позволявайте на обслужващи лица, които не познават електроинструмента или не са запознати с тези инструкции, да работят с него. *Електроинструментите са опасни в ръцете на необучени потребители.*
- e) Поддържайте електроинструментите. Проверявайте движещите се части дали функционират нормално и се движат свободно, целостта и изправността на частите, както и за всякаво друго обстоятелство, което може неблагоприятно да повлияе на работата на електроинструмента. Ако е повреден, електроинструментът трябва да бъде ремонтиран преди по-нататъшно използване. *Много злополуки са причинени от лошо поддържани електроинструменти.*
- f) Поддържайте режещите инструменти остри и чисти. *Правилно поддържаните режещи инструменти с остри режещи ръбове е по-малко вероятно да блокират и са по-лесни за управление.*
- g) Използвайте електроинструмента, принадлежностите и частите на инструмента и т.н. в съответствие с тези инструкции и по начин, предвиден за конкретния тип електроинструмент, като вземате предвид работните условия и работата, която трябва да се извършва. *Използването на електроинструмента за работа, различна от тази, за която е проектиран, може да предизвика опасна ситуация.*

5. ОБСЛУЖВАНЕ

- a) Поддържайте вашия електроинструмент при квалифициран специалист по ремонта, като използвате само оригиналните резервни части. *Това осигурява запазването на безопасността на електроинструмента.*

Допълнителни указания за безопасност при работа с бормашини



Използвайте средства за защита на слуха при работа с ударни чукове. *Интензивният шум по време на работа може да предизвика слухови увреждания.*



По време на работа използвайте средства за защита на зрението, за да се предпазите от хвърчащи частици. *Носете защитни очила.*



Вземете предпазни мерки срещу вдишване на прах. *Някои материали могат да съдържат токсични съставки. Носете прахозащитна маска. Използвайте устройството за прахоотвеждане.*

- Дръжте електроинструмента само за изолирани повърхности за захващане когато извършвате операция, при която режещата принадлежност може да допре до скрита ел.инсталация или до собствения шнур. *Допирът на режещата принадлежност до проводник под напрежение ще постави откритите метални части на електроинструмента под напрежение и операторът ще получи токов удар.*
- Не обработвайте материали, съдържащи азбест. *Азбестът се счита за канцерогенно вещество.*



ПРЕДУПРЕЖДЕНИЕ: Преди да свържете електроинструмента към захранващата мрежа, убедете се че захранващото напрежение отговаря на посоченото върху табелката с технически данни на електроинструмента.

- Източник на захранване с напрежение, по-високо от посоченото за електроинструмента, може да предизвика както сериозно поражение от електрически ток върху оператора, така и повреда на електроинструмента.
- Ако имате някакви колебания, не поставяйте щепсела на електроинструмента в контактното гнездо.
- Използването на източник на захранване с напрежение, по-ниско от обозначеното върху табелката на електроинструмента, ще увреди електродвигателя.
- За да се предотврати евентуално прегряване, винаги развивайте докрай кабела от удължител с кабелен барабан.
- Когато се налага използването на удължител, убедете се, че сечението му отговаря на номиналния ток на използвания електроинструмент, както и в изправността на удължителя.



ПРЕДУПРЕЖДЕНИЕ: Винаги изключвайте електроинструмента и изваждайте щепсела от контакта преди извършване на всякава настройка, обслужване или поддръжка.

- Докато работите винаги дръжте машината здраво с двете си ръце и поддържайте стабилно положение на тялото. Електроинструментът се направлява по-безопасно, когато го държите с две ръце.
- Преди започване на работа проверявайте с подходящ металотърсач за наличието на скрита електроинсталация, газопровод или водопровод или потърсете съдействие от съответните местни служби. Допирът на свредлото до скрита електроинсталация може да предизвика пожар и поражение от електрически ток. Повредата на газопровод може да предизвика експлозия. Пробирането на водопровод ще предизвика повреда на собственост или поражение от електрически ток.
- Дръжте захранващия кабел извън работния обсег на машината. Не използвайте електроинструмента с повреден кабел. Не докосвайте повредения кабел и извадете щепсела от контакта, ако кабелът се повреди по време на работа. Повредените кабели повишават риска от токов удар.
- Винаги поддържайте стабилно положение на тялото си. Когато работите с електроинструмента на височина, убедете се, че под вас няма никой.
- Фиксирайте обработвания детайл в менгеме или по друг подходящ начин.
- Следете инерционния момент при пускане на бормашината или при заклиняване на свредлото.
- Не докосвайте свредлото или обработвания детайл веднага след работа. Те могат да бъдат много горещи и да предизвикат изгаряне на кожата.
- Поддържайте чисто работното място. Смесването на прах от различни материали е особено опасно. Прахът от леки метали може да гори или експлодира.
- Никога не оставяйте парцали, кълчища, проводници или тел в близост до работното място.
- Винаги изключвайте машината преди да я оставите настрана.
- Електроинструментът трябва да се използва само по предназначение. Всякаква друга употреба, различаваща се от описаната в тази инструкция, ще се счита за неправилна употреба. Отговорността за всякаква повреда или нараняване, произтичащи от неправилна употреба, ще се носи от потребителя, а не от производителя.
- За да експлоатирате правилно този електроинструмент, трябва да съблюдавате правилата за безопасност, общите инструкции и указанията за работа, посочени тук. Всички потребители трябва да са запознати с тази инструкция за експлоатация и информирани за потенциалните рискове при работата с електроинструмента. Деца и физически слаби хора не трябва да използват електроинструмента. Децата трябва да бъдат под

непрекъснато наблюдение ако се намират в близост до мястото, където се работи с електроинструмента. Задължително е да предприемете и превантивни мерки за безопасност. Същото се отнася и за спазването на основните правила за професионалното здраве и безопасност.

- Производителят не носи отговорност за извършени от потребителя промени върху електроинструмента или за повреди, предизвикани от подобни промени.
- Електроинструментът е предназначен за работа в помещения и зони с нормална пожарна опасност съгласно "Наредба №2 "Противопожарни строително-технически норми". Не се допуска използването му във взривоопасна и пожароопасна среда, при температура на околния въздух над 40°C, в особено влажна среда, при наличие на валежи и в химически активна среда. Работното място трябва да е добре осветено.

Запознаване с електроинструмента

Преди да започнете да работите с електроинструмента се запознайте с всички оперативни особености и условия за безопасност.

Използвайте електроинструмента и принадлежностите му само по предназначение. Всяко друго приложение е изрично забранено.

1. Осигуряващ винт
2. Бързостягащ патронник
3. Място за фиксиране на вретеното
4. Приспособление за окачване
5. Вентилационни отвори
6. Лост за смяна посоката на въртене
7. Електронен регулатор на оборотите
8. Прекъсвач
9. Бутон за застопоряване на прекъсвача
10. Метална редукторна кутия

Указания за работа

Този електроинструмент се захранва само с еднофазно променливо напрежение. Може да се присъединява към контакти без защитни клеми, тъй като е с двойна изолация съгласно EN 60745 и IEC 60745. Радиосмущенията съответстват на Директивата за електромагнитна съвместимост 2004/108/EC.

Този електроинструмент е предназначен за пробиване на отвори в стомана, дърво, пластмаса и др.

ПРЕДИ ДА ЗАПОЧНЕТЕ РАБОТА



ПРЕДУПРЕЖДЕНИЕ: Проверете дали напрежението на електрическата мрежа отговаря на това, означено върху табелката с технически данни на електроуредата.

- Проверете в какво положение се намира прекъсвачът. Електроинструментът трябва да се присъединява и отделя от захранващата мрежа само при изключен прекъсвач. Ако поставите щепсела в контакт докато прекъсвачът е във включено положение, електроинструментът веднага ще се задейства, което е предпоставка за злополука.
- Убедете се в изправността на захранващия кабел и щепсел. Ако захранващият кабел е повреден, замената трябва да се извърши от производителя или от негов сервизен специалист, за да се избегнат опасностите от замената.



ПРЕДУПРЕЖДЕНИЕ: Преди да започнете работа, винаги проверявайте посоката на въртене. Използвайте лоста за смяна посоката на въртене само след като вретеното е напълно спряло да се върти. Промяна на посоката на въртене преди окончателното спиране на вретеното може да повреди електроинструмента.

ПОСТАВЯНЕ / СВАЛЯНЕ НА СВРЕДЛО И НАКРАЙНИК



ПРЕДУПРЕЖДЕНИЕ: Изключвайте електроинструмента и изваждайте щепсела от контакта преди всякаква работа по него.

Задържа се задната корона на патронника и се завърта предната корона докато патронникът се разтвори достатъчно, за да се постави свредлото или найкрайникът. След това се затяга с ръка предната корона.

ПУСКАНЕ / СПИРАНЕ

Кратковременно задействане:

- Пускане: Прекъсвач (8) се натиска.
- Спиране: Прекъсвач (8) се отпуска.

Продължителна работа:

- Пускане: Прекъсвач (8) се натиска и в натиснато състояние се застопорява с бутон (9).
- Спиране: Прекъсвач (8) се натиска еднократно и се отпуска веднага.



ПРЕДУПРЕЖДЕНИЕ: Преди да поставите щепсела в контакта, винаги проверявайте дали прекъсвачът (8) може да се задейства и след отпускане да се връща в изключено положение.

БЕЗСТЕПЕННО ЕЛЕКТРОННО РЕГУЛИРАНЕ НА ОБОРОТИТЕ

Леко натискане на прекъсвача (8) предизвиква задействане на бормашината на ниски обороти, които плавно се увеличават до максимални с увеличаване на натиска върху прекъсвача до достигане на крайно положение.

ИЗБОР НА ОБОРОТИТЕ

Необходимите обороти се избират чрез завъртане на електронния регулатор (7) по посока на часовниковата стрелка или обратно.

СМЯНА ПОСОКАТА НА ВЪРТЕНЕ

Крайно дясно положение на лоста (6) означава въртене в посока на часовниковата стрелка, а крайно ляво – посока обратна на часовниковата стрелка. При натиск на прекъсвача (8) лостът (6) не може да бъде задействан. Смяната на посоката на въртене да става само в покой на бормашината.

ОТВИВАНЕ И ЗАВИВАНЕ НА БОЛТОВЕ, ВИНТОВЕ И ГАЙКИ

В патронника (2) се монтира по гореописания начин съответното приспособление за завиване или отвиване на болтове, гайки или винтове. С лоста (6) за смяна посоката на въртене се избира операцията отвиване или завиване. Операциите да се извършват само при ниски обороти.



ПРЕДУПРЕЖДЕНИЕ: При завиване на дълги болтове и винтове съществува опасност от изплъзване на бормашината.

ДЕМОНТИРАНЕ НА ПАТРОННИКА

Задържа се задната корона на патронника и се завърта предната корона, докато патронникът се разтвори докрай.

С помощта на отвертка се отвива осигурителният винт с лява резба. В патронника се поставя шестостенен найкрайник или приспособлението за завиване на винтове и се затяга. Мястото за фиксиране на вретеното (3) се захваща с гаечен ключ и патронникът се върти в посока, обратна на часовниковата стрелка, чрез свободния край на найкрайника.

ПРЕПОРЪКИ ПРИ РАБОТА С БОРМАШИНАТА

Пробивайте с обороти, по ниски от максималните, като подбирате оборотите в зависимост от материала. Използвайте свредла с цилиндрична опашка. От време на време изваждайте свредлото от отвора, за да се отстрани прах.

Да се следи степента на затпяване на свредлото и да се сменя, когато се забележи значително намаляване на производителността.

При пробиване на отвор с голям диаметър в метал, дърво или пластмаса, предварително пробийте отвор с по-малко свредло.

ПРИНАДЛЕЖНОСТИ, КОИТО МОГАТ ДА БЪДАТ ИЗПОЛЗВАНИ С ТОЗИ ЕЛЕКТРОИНСТРУМЕНТ

- Свредла за метал с диаметър от Ø0,8 до Ø10 mm.
- Свредла за дърво с диаметър от Ø0,8 до Ø20 mm.
- Найкрайници с присъединителен шестостен 6,35 mm (1/4") за завиване на винтове.



ПРЕДУПРЕЖДЕНИЕ: За работа с този електроинструмент се препоръчват горепосочените принадлежности или приспособления. Употребата на принадлежности или приспособления, различни от посочените, е предпоставка за трудова злополука. Използвайте принадлежностите или приспособленията само по предназначение. Ако се нуждаете от допълнителна информация относно тези принадлежности, обърнете се към местния сервиз на SPARKY.

Поддръжка



ПРЕДУПРЕЖДЕНИЕ: Винаги изключвайте електроинструмента и изваждайте щепсела от контакта преди всякаква проверка или поддръжка.

ПОДМЯНА НА ЧЕТКИТЕ

Когато четките се износят, двете четки трябва да се подменят едновременно с оригинални четки в сервиз на SPARKY за гаранционна и извънгаранционна поддръжка.

ОБЩА ПРОВЕРКА

Проверявайте редовно всички крепежни елементи и се уверете, че те са здраво притегнати. В случай, че някой от винтовете се е разхлабил, го затегнете незабавно, за да избегнете рискови ситуации.

Ако захранващият кабел е повреден, замяната трябва да се извърши от производителя или негов сервизен специалист, за да се избегнат опасностите от замяната.

ПОЧИСТВАНЕ

За безопасна работа поддържайте винаги чисти машината и вентилационните отвори (5).

При въртящ се електродвигател, продухайте замърсяванията и праха от всички вентилационни отвори със сух сгъстен въздух поне веднъж седмично. По време на тази операция носете предпазни очила. Външните пластмасови части могат да се почистват с навлажнена кърпа и слаб препарат за миене.



ПРЕДУПРЕЖДЕНИЕ: Въпреки че външните пластмасови части са устойчиви към разтворители, употребата на разтворители не се допуска!

ВАЖНО! За да се осигури безопасната работа с електроинструмента и неговата надеждност, всички дейности по ремонта, поддръжката и регулирането (включително проверката и подмяната на четките) трябва да се извършват в оторизираните сервиси на SPARKY с използване само на оригинални резервни части.

Гаранция

Гаранционният срок на електроинструментите SPARKY се определя в гаранционна карта.

Неизправности, появили се в следствие на естествено износване, претоварване или неправилна експлоатация, се изключват от гаранционните задължения.

Неизправности, появили се в следствие на влагане на некачествени материали и/или производствени грешки, се отстраняват без допълнително заплащане чрез замяна или ремонт.

Рекламация на дефектирал електроинструмент SPARKY се признава, когато машината се върне на доставчика или се представи на оторизиран гаранционен сервиз в неразглобено (първоначално) състояние.

Забележки

Внимателно прочетете цялата инструкция за използване преди да използвате това изделие.

Производителят си запазва правото да въвежда подобрения и промени в своите изделия и да променя спецификациите без предупреждение.

Спецификациите могат да се различават за отделните страни.