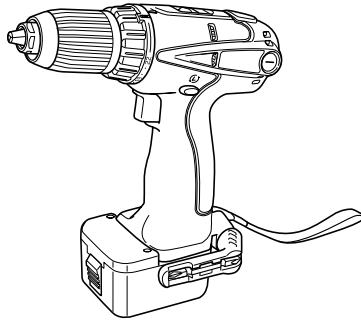


Hitachi Koki

Cordless Driver Drill
Akku-bohrschauber
Perceuse-visseuse à batterie
Trapano-avvitatore a batteria
Snoerloze boor-schroefmachine
Taladro atornillador a batería
Berbequim aparafusadora a bateria
Δραπανοκατσάβιδο μπαταρίας

Variable speed

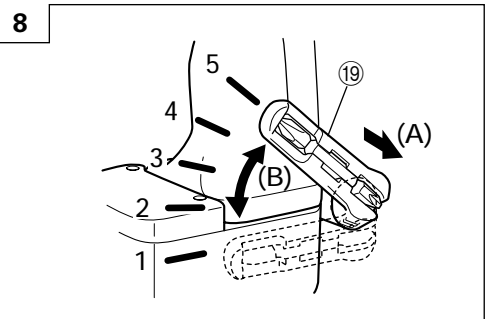
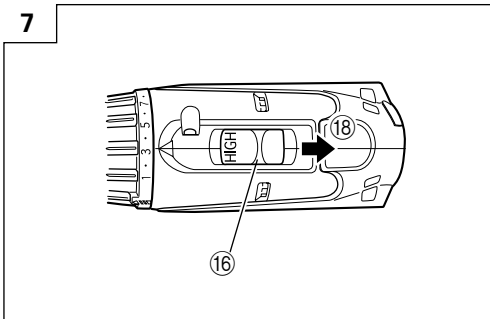
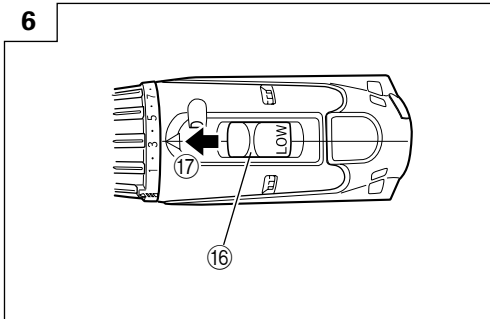
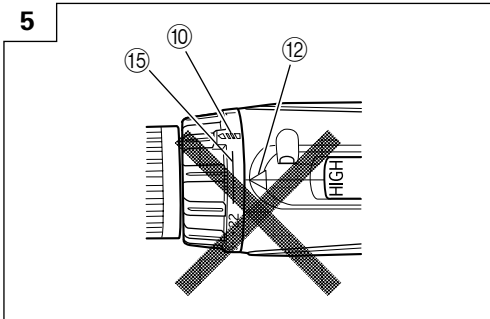
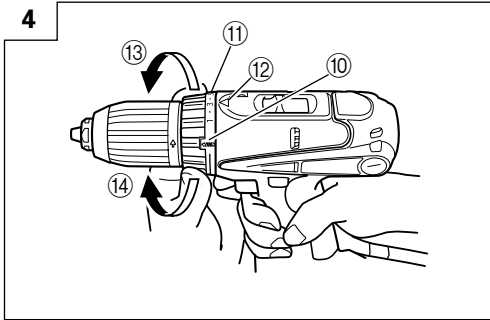
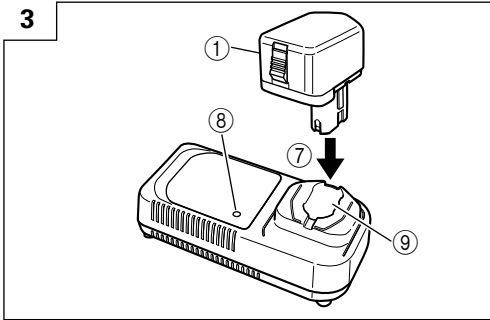
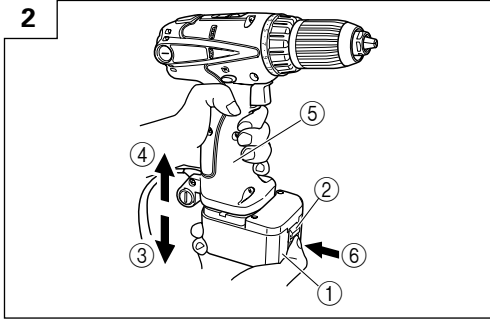
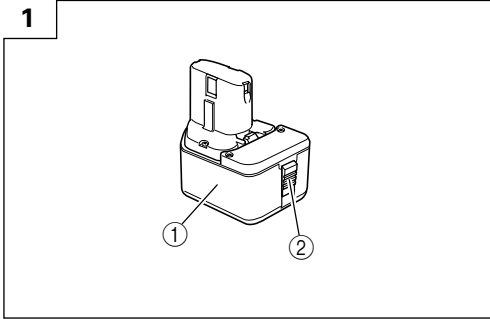
DS 12DM

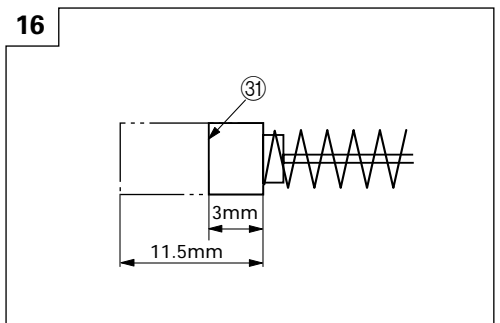
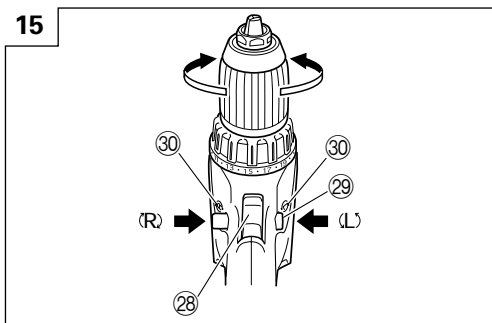
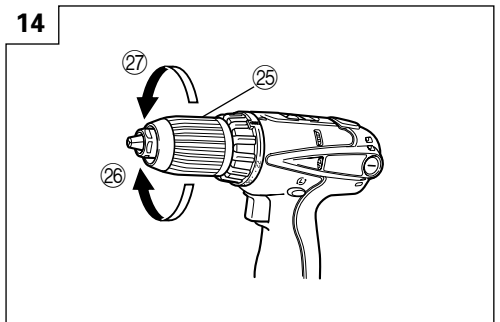
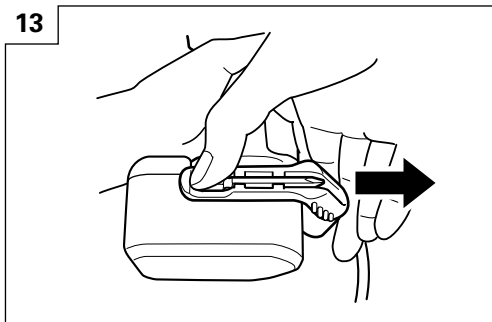
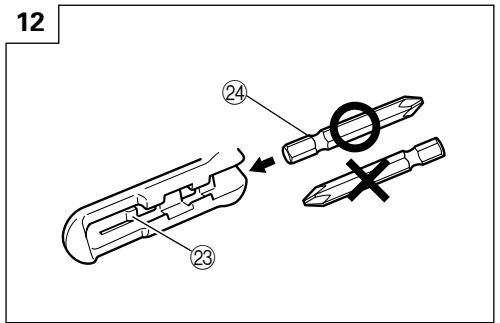
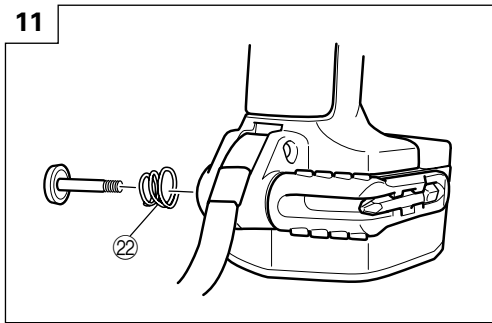
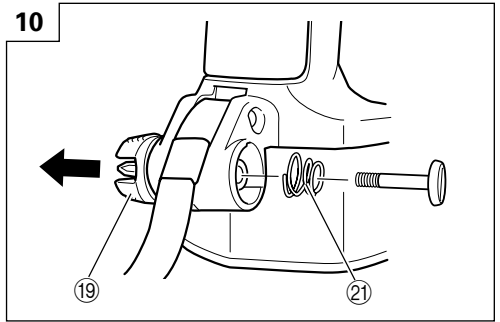
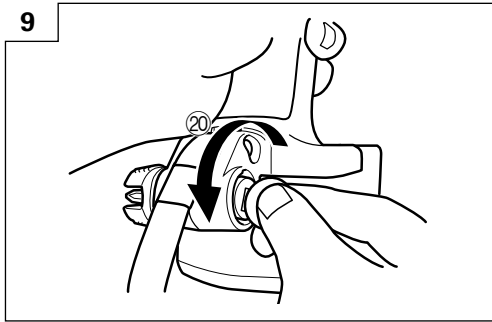


Read through carefully and understand these instructions before use.
Diese Anleitung vor Benutzung des Werkzeugs sorgfältig durchlesen und verstehen.
Lire soigneusement et bien assimiler ces instructions avant usage.
Prima dell'uso leggere attentamente e comprendere queste istruzioni.
Deze gebruiksaanwijzing s.v.p. voor gebruik zorgvuldig doorlezen.
Leer cuidadosamente y comprender estas instrucciones antes del uso.
Antes de usar, leia com cuidado para assimilar estas instruções.
Διαβάστε προσεκτικά και κατανοήστε αυτές τις οδηγίες πριν τη χρήση.

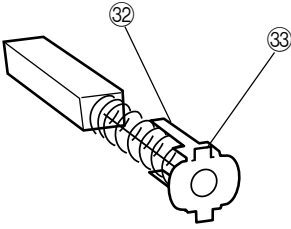
Handling instructions
Bedienungsanleitung
Mode d'emploi
Istruzioni per l'uso
Gebruiksaanwijzing
Instrucciones de manejo
Instruções de uso
Οδηγίες χειρισμού

HITACHI

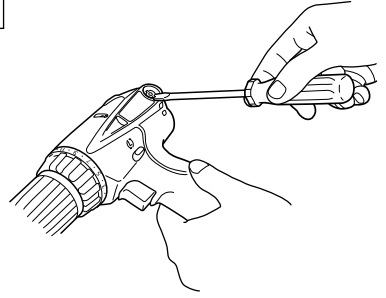




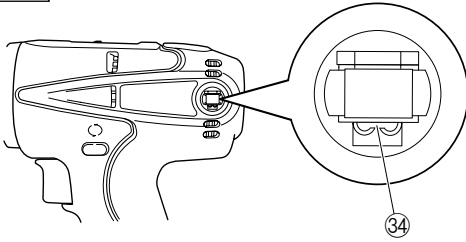
17



18



19



	English	Deutsch	Français	Italiano
①	Rechargeable battery	Aufladbare Batterie	Batterie rechargeable	Batteria ricaricabile
②	Latch	Verriegelung	Taquet	Fermo
③	Pull out	Herausziehen	Tirer vers l'extérieur	Estrarre
④	Insert	Einsetzen	Insérer	Inserire
⑤	Handle	Handgriff	Poignée	Impugnatura
⑥	Push	Drücken	Pousser	Spingere
⑦	Insert	Einsetzen	Insérer	Inserire
⑧	Pilot lamp	Kontrolllampe	Lampe témoin	Spia
⑨	Hole for connecting the rechargeable battery	Anschlußloch für Ladebatterie	Orifice de raccordement de la batterie rechargeable	Foro di collegamento della batteria ricaricabile
⑩	Drill mark	Bohrer-Zeichen	Indice de forage	Simbolo di foratura
⑪	Clutch dial	Kupplungsskala	Sélecteur de débrayage	Ghiera frizione
⑫	Triangle mark	Dreiecksmarkierung	Triangle	Simbolo del triangolo
⑬	Weak	Schwach	Faible	Debol
⑭	Strong	Stark	Fort	Forte
⑮	Line	Linie	Ligne	Linea
⑯	Shift knob	Schaltknopf	Bouton de décalage	Manopola di comando
⑰	Low speed	Kleine Geschwindigkeit	Vitesse ralentie	Bassa velocità
⑱	High speed	Große Geschwindigkeit	Vitesse élevée	Alta velocità
⑲	Hook	Haken	Crochet	Gancio
⑳	Loosen	Lösen	Desserrer	Allentare
㉑	Spring	Feder	Ressort	Molla
㉒	Larger diameter faces away	Der große Durchmesser weist zur anderen Seite	Gros diamètre dirigé vers l'extérieur	Diametro più grande lontano da sé
㉓	Protruded section	Hervorstehender Abschnitt	Section en saillie	Sezione sporgente
㉔	Groove	Nut	Rainure	Scanalatura
㉕	Sleeve	Manschette	Manchon	Collare
㉖	Tighten	Anziehen	Serrer	Stringere
㉗	Loosen	Lösen	Desserrer	Allentare
㉘	Trigger switch	Trigger	Déclencheur	Interruttore
㉙	Selector button	Wählhebel	Sélecteur	Selettore
㉚	(R) and (L) marks	(R) und (L) Zeichen	Indices (R) et (L)	Segno (R), (L)
㉛	Wear limit	Verschleißgrenze	Limite d'usure	Limite di usura
㉜	Nail of carbon brush	Klaue der Kohlebürste	Clou de balai en carbone	Chiodo di spazzola di carbone
㉝	Protrusion of carbon brush	Krempe der Kohlebürste	Saillie de balai en carbone	Sporgenza di spazzola di carbone
㉞	Contact portion outside brush tube	Kontaktteil außerhalb des Bürstenrohrs	Section de contact à l'extérieur du tube de balai	Parte di contatto fuori dal tubo spazzola

	Nederlands	Español	Português	Ελληνικά
①	Oplaadbare batterij	Batería recargable	Bateria recarregável	Επαναφορτιζόμενη μπαταρία
②	Vergrendeling	Cierre	Lingüeta	Μάνδαλο
③	Uittrekken	Sacar	Retirar	Τραβήξτε έξω
④	Insteken	Inserter	Inserir	Εισχωρήστε
⑤	Handgreep	Asidero	Cabo	Χερούλι
⑥	Drukken	Presionar	Empurrar	Σπρώξετε
⑦	Insteken	Inserter	Inserir	Εισχωρήσετε
⑧	Controlelampje	Lámpara piloto	Lâmpada piloto	Δοκιμαστική λάμπα
⑨	Aansluiting voor oplaadbare batterij	Agujero para conectar la batería recargable	Orificio para conectar a batería recarregável	Τρύπα για την σύνδεση της επαναφορτιζόμενης μπαταρίας
⑩	Boor-markering	Marca del taladro	Símbolo da broca	Σημάδι τρυπανιού
⑪	Koppelingsinstelling	Dial del embrague	Disco de engate	Καντράν συμπλέκτη
⑫	Driehoekje	Marca de triángulo	Marca de triângulo	Σημάδι τριγώνου
⑬	Zwak	Débil	Fraco	Αδύνατο
⑭	Sterk	Fuerte	Forte	Δυνατό
⑮	Streepje	Línea	Linha	Γραμμή
⑯	Toerenschakelaar	Mando de cambio	Comutador	Κουμπί αλλαγής
⑰	Laag toerental	Velocidad alta	Velocidade baixa	Χαμηλή ταχύτητα
⑱	Hoog toerental	Velocidad baja	Velocidade alta	Υψηλή ταχύτητα
⑲	Haak	Gancho	Gancho	Γάντζος
⑳	Losdraaien	Aflojar	Afrouxar	Χαλαρώστε
㉑	Veer	Resorte	Mola	Ελατήριο
㉒	De grotere diameter wijst van u vandaan	El diámetro más grande queda en dirección opuesta	O diâmetro maior dá para fora	Η μεγαλύτερη διάμετρος βλέπει προς άλλη κατεύθυνση
㉓	Uitstekend gedeelte	Parte saliente	Seção saliente	Προεξέχων τμήμα
㉔	Groef	Ranura	Ranhura	Αυλάκωση
㉕	Klembus	Manguito	Manguito	Περίβλημα
㉖	Aandraaien	Apretar	Apertar	Σφίξτε
㉗	Losdraaien	Aflojar	Afrouxar	Χαλαρώστε
㉘	Trekkerschakelaar	Conmutador de gatillo	Interruptor de comando	Σκανδάλη διακόπτης
㉙	Omzetschakelaar	Botón selector	Botão seletor	Κουμπί επιλογέα
㉚	(R) en (L) merktekens	Marcas (R) y (L)	Marcas (R) e (L)	(R) και (L) σημάδια
㉛	Slijtagegrens	Límite de uso	Limite de desgaste	Όριο φθοράς
㉜	Nagel van koolborstel	Uña de escobilla de carbón	Prego da escova de carvão	Καρφι καρβουνακιού
㉝	Uitsteeksel van koolborstel	Saliente de escobilla de carbón	Saliência da escova de carvão	Προεξοχή καρβουνακιού
㉞	Contact-gedeelte buiten de borstelbuis	Tubo exterior de la parte de contacto de la escobilla de carbón	Segmento de contato no exterior do tubo da escova	Τμήμα επαφής έξω από το σωλήνα της ψήκτρας

GENERAL OPERATIONAL PRECAUTIONS

1. Keep work area clean. Cluttered areas and benches invite accidents.
2. Avoid dangerous environment. Don't expose power tools and charger to rain. Don't use power tools and charger in damp or wet locations. And keep work area well lit. Never use power tools and charger near flammable or explosive materials. Do not use tool and charger in presence of flammable liquids or gases.
3. The appliance is not intended for use by young children or infirm persons without supervision. Young children should be supervised to ensure that they do not play with the appliance. All visitors should be kept safe distance from work area.
4. Store idle tools and charger. When not in use, tools and charger should be stored in dry, high or locked-up place-out of reach of the children and infirm persons. Store tools and charger in a place where the temperature is less than 40°C.
5. Don't force tool. It will do the job better and safer at the rate for which it was designed.
6. Use right tool. Don't force small tool or attachment to do the job of a heavy duty tool.
7. Wear proper apparel. Do not wear loose clothing or jewelry. They can be caught in moving parts. Rubber gloves and non-skid footwears are recommended when working outdoor.
8. Use eye protection with most tools. Also use face or dust mask if cutting operation is dusty.
9. Don't abuse cord. Never carry charger by cord or yank it to disconnect from receptacle. Keep cord from heat, oil and sharp edges.
10. Secure work. Use clamps or a vise to hold work. It's safer than using your hand and it frees both hands to operate tool.
11. Don't overreach. Keep proper footing and balance at all times.
12. Maintain tools with care. Keep tools sharp at all times, and clean for best and safest performance. Follow instructions for lubricating and changing accessories.
13. When the charger is not in use, or when being maintained and inspected, disconnect its power cord from the receptacle.
14. Remove chuck wrenches and wrenches. Form habit of checking to see that wrenches are removed from tool before turning it on.
15. Avoid accidental starting. Don't carry tool with finger on switch.
16. To avoid danger, always use only the specified charger.
17. Use only genuine HITACHI replacement parts.
18. Do not use power tools for applications other than those specified in the Handling Instructions.
19. To avoid personal injury, use only the accessories or attachment recommended in these handling instructions or in the HITACHI catalog.
20. Let only the authorized service center do the repairing. The Manufacturer will not be responsible for any damages or injuries caused by repair by the unauthorized persons or by mishandling of the tool.
21. To ensure the designed operational integrity of power tools and charger, do not remove installed covers or screws.
22. Always use the charger at the voltage specified on the nameplate.
23. Do not touch movable parts or accessories unless the power source has been disconnected.
24. Always charge the battery before use.
25. Never use a battery other than that specified. Do not connect a usual dry cell, a rechargeable battery other than that specified or a car battery to the power tool.
26. Do not use any transformer that has a booster.
27. Do not charge the battery from an engine electric generator or DC power supply.
28. Always charge indoors. Because the charger and battery heat slightly during charging, charge the battery in a place not exposed to direct sunlight; where the humidity is low and the ventilation is good.
29. Before starting to work in a high place, pay attention to the activities below to make sure there are no people below.
30. Use the exploded assembly drawing on this handling instructions only for authorized servicing.
31. If the supply cord is damaged, it must be replaced by the manufacture or its service agent or a similarly qualified person in order to avoid a hazard.

PRECAUTIONS FOR CORDLESS DRIVER DRILL

1. Always charge the battery at a temperature of 0 – 40°C. A temperature of less than 0°C will result in over charging which is dangerous. The battery cannot be charged at a temperature higher than 40°C.
The most suitable temperature for charging is that of 20 – 25°C.
2. When one charging is completed, leave the charger for about 15 minutes before the next charging of battery.
Do not charge more than two batteries consecutively.
3. Do not allow foreign matter to enter the hole for connecting the rechargeable battery.
4. Never disassemble the rechargeable battery and charger.
5. Never short-circuit the rechargeable battery. Short-circuiting the battery will cause a great electric current and overheat. It results in burn or damage to the battery.
6. Do not dispose of the battery in fire.
If the battery is burnt, it may explode.
7. When drilling in wall, floor or ceiling, check for buried electric power cord, etc.
8. Bring the battery to the shop from which it was purchased as soon as the post-charging battery life becomes too short for practical use. Do not dispose of the exhausted battery.
9. Using an exhausted battery will damage the charger.
10. Do not insert object into the air ventilation slots of the charger.
Inserting metal objects or inflammables into the charger air ventilation slots will result in electrical shock hazard or damaged charger.
11. When mounting a bit into the keyless chuck, tighten the sleeve adequately. If the sleeve is not tight, the bit may slip or fall out, causing injury.

SPECIFICATIONS

POWER TOOL

Model		DS12DM	
No-load speed (Low/High)		0 - 350 / 0 - 1200min ⁻¹ (/min)	
Capacity	Drilling	Wood (Thickness 18mm)	27 mm
		Metal (Thickness 1.6mm)	Steel: 13 mm, Aluminum: 13 mm
	Driving	Machine screw	6 mm
		Wood screw	6.8 mm (diameter) × 50 mm (length) (Requires a pilot hole)
Rechargeable battery		EB1220BL: Ni-Cd 12 V (2.0 Ah, 10 cells) EB1230HL: Ni-MH 12 V (3.0 Ah, 10 cells)	
Weight		1.7 kg	

CHARGER

Model	UC14YFA
Charging voltage	7.2 - 14.4 V
Weight	0.6 kg

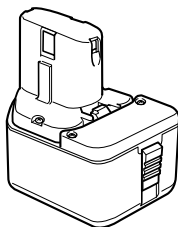
STANDARD ACCESSORIES

DS12DM	① Plus driver bit (No. 2).....	1
	② Charger (UC14YFA).....	1
	③ Plastic case.....	1

Standard accessories are subject to change without notice.

OPTIONAL ACCESSORIES (sold separately)

- Battery (EB1214L, EB1220BL, EB1222HL, EB1230HL)



Optional accessories are subject to change without notice.

APPLICATIONS

- Driving and removing of machine screws, wood screws, tapping screws, etc.
- Drilling of various metals.
- Drilling of various woods.

BATTERY REMOVAL/INSTALLATION

1. Battery removal

Hold the handle tightly and push the battery latch to remove the battery (see **Figs. 1** and **2**).

CAUTION:

Never short-circuit the battery.

2. Battery installation

Insert the battery while observing its polarities (see **Fig. 2**).

CHARGING

Before using the driver drill, charge the battery as follows.

- Connect the charger's power cord to a receptacle. When the power cord is connected, the charger's pilot lamp will blink in red. (At 1-second intervals).
- Insert the battery into the charger. Firmly insert the battery into the charger till it contacts the bottom of the charger and checking the polarities as shown in **Fig. 3**.

CAUTION:

- If the batteries are inserted in the reverse direction, not only recharging will become impossible, but it may also cause problems in the charger such as a deformed recharging terminal.
- 3. Charging
 - When inserting a battery in the charger, charging will commence and the pilot lamp will light continuously in red.
 - When the battery becomes fully recharged, the pilot lamp will blink in red. (At 1-second intervals.) (See **Table 1**)
- (1) Pilot lamp indication
 - The indications of the pilot lamp will be as shown in **Table 1**, according to the condition of the charger or the rechargeable battery.

Table 1

Indications of the pilot lamp			
Before charging	Blinks (RED)	Lights for 0.5 seconds. Does not light for 0.5 seconds. (off for 0.5 seconds)	/
While charging	Lights (RED)	Lights continuously	
Charging complete	Blinks (RED)	Lights for 0.5 seconds. Does not light for 0.5 seconds. (off for 0.5 seconds)	
Charging impossible	Flickers (RED)	Lights for 0.1 seconds. Does not light for 0.1 seconds. (off for 0.1 seconds)	Malfunction in the battery or the charger
Charging impossible	Lights (GREEN)	Lights continuously	The battery temperature is high, making recharging impossible.

- (2) Regarding the temperatures of the rechargeable battery.

The temperatures for rechargeable batteries are as shown in the table below, and batteries that have become hot should be cooled for a while before being recharged.

Table 2 Recharging ranges of batteries

Rechargeable batteries	Temperatures at which the battery can be recharged
EB1214L, EB1220BL	-5°C – 60°C
EB1222HL, EB1230HL	0°C – 45°C

- (3) Regarding recharging time

Depending on the combination of the charger and batteries, the charging time will become as shown in **Table 3**.

Table 3 Charging time (At 20°C)

Battery	Charger	UC14YFA
EB1214L		Approx. 40 min.
EB1220BL		Approx. 50 min.
EB1222HL		Approx. 55 min.
EB1230HL		Approx. 70 min.

NOTE:

The charging time may vary according to temperature and power source voltage.

4. Disconnect the charger's power cord from the receptacle.

5. Hold the charger firmly and pull out the battery.

NOTE:

After operation, pull out batteries from the charger first, and then keep the batteries properly.

Regarding electric discharge in case of new batteries, etc.

As the internal chemical substance of new batteries and batteries that have not been used for an extended period is not activated, the electric discharge might be low when using them the first and second time. This is a temporary phenomenon, and normal time required for recharging will be restored by recharging the batteries 2 – 3 times.

How to make the batteries perform longer.

- (1) Recharge the batteries before they become completely exhausted.

When you feel that the power of the tool becomes weaker, stop using the tool and recharge its battery. If you continue to use the tool and exhaust the electric current, the battery may be damaged and its life will become shorter.

- (2) Avoid recharging at high temperatures.

A rechargeable battery will be hot immediately after use. If such a battery is recharged immediately after use, its internal chemical substance will deteriorate, and the battery life will be shortened. Leave the battery and recharge it after it has cooled for a while.

CAUTIONS:

- If the battery is charged while it is heated because it has been left for a long time in a location subject to direct sunlight or because the battery has just been used, the pilot lamp of the charger lights up green. In such a case, first let the battery cool, then start charging.
- When the pilot lamp flickers in red (at 0.2-second intervals), check for and take out any foreign objects in the charger's battery installation hole. If there are no foreign objects, it is probable that the battery or charger is malfunctioning. Take it to your authorized Service Center.

- Since the built-in micro computer takes about 3 seconds to confirm that the battery being charged with UC14YFA is taken out, wait for a minimum of 3 seconds before reinserting it to continue charging. If the battery is reinserted within 3 seconds, the battery may not be properly charged.

PRIOR TO OPERATION

1. Setting up and checking the work environment

Check if the work environment is suitable by following the precautions.

HOW TO USE

1. Confirm the clutch dial position (see Fig. 5)

The tightening torque of this unit can be adjusted according to the clutch dial position, at which the clutch dial is set.

- (1) When using this unit as a screwdriver, line up the one of the numbers "1, 3, 5 ... 22" on the clutch dial, or the dots, with the triangle mark on the outer body.
- (2) When using this unit as a drill, align the clutch dial drill mark "▲" with the triangle mark on the outer body.

CAUTIONS:

- The clutch dial cannot be set between the numerals "1, 3, 5 ... 22" or the dots.
- Do not use with the clutch dial numeral between "22" and the line at the middle of the drill mark. Doing so may cause damage. (See Fig. 6)

2. Tightening torque adjustment

- (1) Tightening torque
Tightening torque should correspond in its intensity to the screw diameter. When too strong torque is used, the screw head may be broken or be injured. Be sure to adjust the clutch dial position according to the screw diameter.
- (2) Tightening torque indication
The tightening torque differs depending on the type of screw and the material being tightened.

The unit indicates the tightening torque with the numbers "1, 3, 5 ... 22" on the clutch dial, and a dots. The tightening torque at position "1" is the weakest and the torque is strongest at the highest number. (See Fig. 6)

(3) Adjusting the tightening torque

Rotate the clutch dial and line up the numbers "1, 3, 5, ... 22" on the clutch dial, or the dots, with the triangle mark on the outer body. Adjust the clutch dial in the weak or the strong torque direction according to the torque you need.

CAUTIONS:

- The motor rotation may be locked to cease while the unit is used as drill. While operating the driver drill, take care not to lock the motor.
 - Too long hammering may cause the screw broken due to excessive tightening.
- 3. Change rotation speed**
Operate the shift knob to change the rotational speed. Move the shift knob in the direction of the arrow (see Figs. 6 and 7).
When the shift knob is set to "LOW", the drill rotates at a low speed. When set to "HIGH", the drill rotates at a high speed.

CAUTIONS:

- When changing the rotational speed with the shift knob, confirm that the switch is off. Changing the speed while the motor is rotating will damage the gears.
- When setting the shift knob to "HIGH" (high speed) and the position of the clutch dial is "17" or "22", it may happen that the clutch does not engaged and that the motor is locked. In such a case, please set the shift knob to "LOW" (low speed).
- If the motor is locked, immediately turn the power off. If the motor is locked for a while, the motor or battery may be burnt.

4. The scope and suggestions for uses




The usable scope for various types of work based on the mechanical structure of this unit is shown in Table 4.

Table 4

Work		Suggestions
Drilling	Wood	Use for drilling purpose.
	Steel	
	Aluminum	
Driving	Machine screw	Use the bit or socket matching the screw diameter.
	Wood screw	Use after drilling a pilot hole.

5. How to select tightening torque and rotational speed

Table 5

Use		Clutch Position	Rotating speed selection (Position of the shift knob)	
			LOW (Low speed)	HIGH (High speed)
Driving	Machine screw	1 - 22	For 4 mm or smaller diameter screws.	For 6 mm or smaller diameter screws.
	Wood screw	1 - 	For 6.8 mm or smaller nominal diameter screws.	For 3.8 mm or smaller nominal diameter screws.
Drilling	Wood		For 27 mm or smaller diameters.	For 18 mm or smaller diameters.
	Metal		For drilling with a metal working drill bit.	—————

CAUTIONS:

- The selection examples shown in **Table 5** should be considered as general standard. As different types of tightening screws and different materials to be tightened are used in actual works proper adjustments are naturally necessary.
- When using the driver drill with a machine screw at HIGH (high speed), a screw may damage or a bit may loose due to the tightening torque is too strong. Use the driver drill at LOW (low speed) when using a machine screw.

NOTE:

The use of the battery EB1222HL and EB1230HL in a cold condition (below 0 degree Centigrade) can sometimes result in the weakened tightening torque and reduced amount of work. This, however, is a temporary phenomenon, and returns to normal when the battery warms up.

6. Using the hook

The hook can be installed on the right or left side and the angle can be adjusted in 5 steps between 0° and 80°.

- (1) Operating the hook
 - (a) Pull out the hook toward you in the direction of arrow (A) and turn in the direction of arrow (B). (**Fig. 8**)
 - (b) The angle can be adjusted in 5 steps (0°, 20°, 40°, 60°, 80°).
Adjust the angle of the hook to the desired position for use.
- (2) Switching the hook position

CAUTION:

Incomplete installation of the hook may result in bodily injury when used.

- (a) Securely hold the main unit and remove the screw using a slotted head screwdriver or a coin. (**Fig. 9**)
- (b) Remove the hook and spring. (**Fig. 10**)
- (c) Install the hook and spring on the other side and securely fasten with screw. (**Fig. 11**)

NOTE:

Pay attention to the spring orientation. Install the spring with larger diameter away from you. (**Fig. 11**)

- (3) Using the bit holder
 - Installing the bit
Slide the bit from the side in the direction of

Fig. 12, and then insert firmly until the groove on the bit locks in the protruded section of the hook.

- Removing the bit
Securely hold the main unit and pull out the bit by holding the tip with your thumb. (**Fig. 13**)

CAUTIONS:

- The bit may come loose from the hook and cause bodily injury when reversing the direction of the bit as shown in **Fig. 12** or when using the driver with the bit stored incomplete.
- Only Hitachi OPTIONAL ACCESSORIES plus driver bits (Bit No. 2; Code No. 992671, Bit No. 3; Code No. 992672) may be used. Do not use other bits since they may come loose.

7. Mounting and dismounting of the bit

- (1) Mounting the bit
Loosen the sleeve by turning it toward the left (in the counterclockwise direction as viewed from the front) to open the clip on the keyless chuck. After inserting a driver bit, etc., into the keyless drill chuck, and tighten the sleeve by turning it toward the right (in the clockwise direction as viewed from the front). (See **Fig. 14**)
- If the sleeve becomes loose during operation, tighten it further.
The tightening force becomes stronger when the sleeve is tightened additionally.
- (2) Dismounting the bit
Loosen the sleeve by turning it toward the left (in the counterclockwise direction as viewed from the front), and then take out the bit ect. (See **Fig. 14**)

NOTE:

If the sleeve is tightened in a state where the clip of the keyless chuck is opened to a maximum limit, a click noise may occur. This is the noise that occurs when the loosening of the keyless chuck is prevented and is not a malfunction.

CAUTION:

- When it is no longer possible to loosen the sleeve, use a vise or similar instrument to secure the bit. Set the clutch mode between 1 and 11 and then turn the sleeve to the loose side (left side) while operating the clutch. It should be easy now to loosen the sleeve.

8. Automatic spindle-lock mechanism

This unit has automatic spindle-lock mechanism for quick bit changes.

9. Confirm that the battery is mounted correctly.

10. Check the rotational direction

The bit rotates clockwise (viewed from the rear side) by pushing the R-side of the selector button. The L-side of the selector button is pushed to turn the bit counterclockwise. (See Fig. 15). (The (L) and (R) marks are provided on the body.)

11. Switch operation

- When the trigger switch is depressed, the tool rotates. When the trigger is released, the tool stops.
- The rotational speed of the drill can be controlled by varying the amount that the trigger switch is pulled. Speed is low when the trigger switch is pulled slightly and increases as the trigger switch is pulled more.

NOTE:

- A buzzing noise is produced when the motor is about to rotate; This is only a noise, not a machine failure.

MAINTENANCE AND INSPECTION

1. Inspecting the tool

Since use of a dull tool will degrade efficiency and cause possible motor malfunction, sharpen or replace the tool as soon as abrasion is noted.

2. Inspecting the mounting screws

Regularly inspect all mounting screws and ensure that they are properly tightened. Should any of the screws be loose, retighten them immediately. Failure to do so could result in serious hazard.

3. Maintenance of the motor

The motor unit winding is the very "heart" of the power tool.

Exercise due care to ensure the winding does not become damaged and/or wet with oil or water.

4. Inspecting the carbon brushes (Fig. 16)

The motor employs carbon brushes which are consumable parts. Since an excessively worn carbon brush can result in motor trouble, replace the carbon brush with new ones when it becomes worn to or near the "wear limit". In addition, always keep carbon brushes clean and ensure that they slide freely within the brush holders

NOTE:

When replacing the carbon brush with a new one, be sure to use the Hitachi Carbon Brush Code No. 999054.

5. Replacing carbon brushes

Take out the carbon brush by first removing the brush cap and then hooking the protrusion of the carbon brush with a flat head screw driver, etc., as shown in Fig. 18.

When installing the carbon brush, choose the direction so that the nail of the carbon brush agrees with the contact portion outside the brush tube. Then push it in with a finger as illustrated in Fig. 19. Lastly, install the brush cap.

CAUTION:

Be absolutely sure to insert the nail of the carbon brush into the contact portion outside the brush tube. (You can insert whichever one of the two nails provided.)

Caution must be exercised since any error in this operation can result in the deformed nail of the carbon brush and may cause motor trouble at an early stage.

6. Cleaning on the outside

When the driver drill is stained, wipe with a soft dry cloth or a cloth moistened with soapy water. Do not use chloric solvents, gasoline or paint thinner, for they melt plastics.

7. Storage

Store the driver drill in a place in which the temperature is less than 40°C and out of reach of children.

8. Service parts list

- A : Item No.
- B : Code No.
- C : No. Used
- D : Remarks

CAUTION:

Repair, modification and inspection of Hitachi Power Tools must be carried out by a Hitachi Authorized Service Center.

This Parts List will be helpful if presented with the tool to the Hitachi Authorized Service Center when requesting repair or other maintenance.

In the operation and maintenance of power tools, the safety regulations and standards prescribed in each country must be observed.

MODIFICATIONS:

Hitachi Power Tools are constantly being improved and modified to incorporate the latest technological advancements.

Accordingly, some parts (i.e. code numbers and/or design) may be changed without prior notice.

NOTE:

Due to HITACHI's continuing program of research and development, the specifications herein are subject to change without prior notice.

IMPORTANT:

Correct connection of the plug

The wires of the mains lead are coloured in accordance with the following code:

- Blue: - Neutral
- Brown: - Live

As the colours of the wires in the mains lead of this tool may not correspond with the coloured markings identifying the terminals in your plug proceed as follows: The wire coloured blue must be connected to the terminal marked with the letter N or coloured black. The wire coloured brown must be connected to the terminal marked with the letter L or coloured red. Neither core must be connected to the earth terminal.

NOTE:

This requirement is provided according to BRITISH STANDARD 2769: 1984.

Therefore, the letter code and colour code may not be applicable to other markets except United Kingdom.

Information concerning airborne noise and vibration

The measured values were determined according to EN50144.

The typical A-weighted sound pressure level:

70 dB (A).

Wear ear protection.

The typical weighted root mean square acceleration value: 2.0m/s^2 .

ALLGEMEINE VORSICHTSMASSNAHMEN

1. Den Arbeitsplatz stets sauber halten. Unaufgeräumte Arbeitsplätze und Werkbänke erhöhen die Unfallgefahr.
2. Gefährliche Umgebungen vermeiden. Die Maschine und das Ladegerät keiner Feuchtigkeit aussetzen oder an nassen Stellen benutzen.
Achten Sie auf einen hellen, wenn erforderlich gut beleuchteten Arbeitsplatz. Maschine und Ladegerät niemals in der Nähe von brennbaren oder explosiven Materialien, Flüssigkeiten oder Gasen verwenden.
3. Das Gerät ist nicht für Verwendung durch Kinder oder gebrechliche Personen ohne Aufsicht gedacht. Kinder sollten beaufsichtigt werden, um sicherzustellen, dass sie nicht mit dem Gerät spielen. Alle Besucher sollten in sicherer Entfernung vom Arbeitsbereich gehalten werden.
4. Unbenutztes Werkzeug und Ladegerät an einen trockenen und verschlossenen Ort wegräumen; außerhalb der Reichweite von Kindern und gebrechlichen Personen aufbewahren.
Die Temperatur sollte weniger als 40°C betragen.
5. Das Werkzeug nicht überlasten. Es arbeitet sich besser und sicherer bei angemessenen Geschwindigkeiten und Belastungen.
6. Das richtige Werkzeug zur Arbeit verwenden. Erwarten Sie nicht, daß ein zu kleines Werkzeug oder Zubehör die Arbeit einer Hochleistungsmaschine verrichtet.
7. Achten Sie auf die richtige Kleidung. Lose oder zu weite Kleidung bzw. und/oder Schmuck (z.B. Ketten, Ringe, usw.) könnten sich in rotierenden oder bewegenden Teilen verfangen. Schutzhandschuhe und Arbeitsschutzschuhe sind bei den Arbeiten zu tragen.
8. Vergessen Sie nicht bei Arbeiten mit Werkzeugen eine Sicherheitsbrille zu tragen, ebenfalls, wenn erforderlich eine Gesichts- oder Staubmaske.
9. Schonen Sie das Anschlusskabel. Tragen Sie niemals das Ladegerät am Kabel und ziehen Sie nicht daran, um den Stecker von der Steckdose zu trennen.
Das Kabel gegen übermäßige Hitze, Öl und scharfe Kanten schützen.
10. Das zu bearbeitende Werkstück gut sichern. Zwingen oder Schraubstock für die Befestigung des Werkstücks benutzen. Es erhöht die Sicherheit und schafft freie Hände zur Bedienung des Werkzeugs.
11. Verschaffen Sie sich einen festen Stand, er garantiert Sicherheit und optimales Gleichgewicht bei der Arbeit.
12. Das Werkzeug in gutem Zustand behalten. Stets sauber halten, pflegen und warten, damit es immer die beste Leistung bringt. Beachten Sie die Anweisungen für Schmierer oder eventuelle Auswechselungen.
13. Wird das Ladegerät nicht benutzt oder einer Prüfung unterzogen, entfernen Sie den Stecker aus Ihrem Wechselstromanschluß.
14. Spannschlüssel und/oder Bohrfutterschlüssel vor dem Gebrauch des Werkzeugs aus der Maschine entfernen.
15. Zufälliges Einschalten vermeiden. Das Werkzeug nicht mit dem Finger am Schalter tragen.
16. Um Gefahren zu vermeiden, verwenden Sie nur das vorgeschriebene Ladegerät.
17. Nur Original-HITACHI-Ersatzteile verwenden.
18. Das Werkzeug und Ladegerät nicht anders als in der Gebrauchsanweisung vorgeschrieben verwenden.
19. Die Benutzung von Zubehör und Sonderzubehör, die nicht im HITACHI-Katalog oder in der Bedienungsanleitung aufgeführt sind, erhöhen das Risiko von Verletzungen.
20. Reparaturen sollten nur in autorisierten HITACHI-Service-Werkstätten durchgeführt werden.
Der Hersteller haftet nicht für Schäden und Unfälle, die auf unautorisierte Fachkräfte oder auf den Mißbrauch des Werkzeugs zurückgeführt werden können.
21. Um den ursprünglichen Zustand des Werkzeugs und Ladegerätes zu erhalten, entfernen Sie keine Hinweisschilder, Abdeckungen oder Schrauben.
22. Nehmen Sie das Ladegerät immer nur mit der auf dem Typenschild vorgeschriebenen Spannung in Gebrauch.
23. Bewegliche Teile und Zubehöre nicht berühren, wenn das Werkzeug nicht vom Netz abgetrennt ist.
24. Immer vor der Benutzung die Batterie aufladen.
25. Nur die vorgeschriebene Batterie verwenden.
Keine gewöhnlichen Trockenbatterien oder Autobatterien, für das Elektro-Werkzeug verwenden.
26. Keinen Transformator mit Puffersatz verwenden.
27. Die Batterie nicht an einem elektrischen Generator oder einer Gleichstromversorgung aufladen.
28. Die Batterie immer drinnen aufladen. Da sich beim Laden Ladegerät und Batterie erwärmen, an einem Ort aufladen, der nicht direkter Sonnenbestrahlung ausgesetzt und trocken ist.
29. Wenn an hochliegenden Stellen gearbeitet wird, (z.B. Gerüst, Treppe) vergewissern Sie sich vor Arbeitsbeginn, daß sich unter Ihnen keiner im Arbeits- bzw. Gefahrenkreis aufhält.
30. Die detaillierte Bestandsteilzeichnung, die der Bedienungsanleitung beigelegt ist, ist nur für die autorisierte Service-Werkstätte bestimmt.
31. Falls das mitgelieferte Kabel beschädigt wird, muss es durch den Hersteller, seinen Kundendienstvertreter oder eine ähnlich qualifizierte Person ausgewechselt werden, um Gefahren zu vermeiden.

VORSICHTSMASSNAHMEN FÜR DEN AKKU-BOHRSCHRAUBER

1. Die Batterie immer bei einer Temperatur von 0 – 40°C laden. Laden bei einer Temperatur, die niedriger als 0°C ist, wird gefährliche Überladung verursachen. Die Batterie kann nicht bei einer Temperatur über 40°C geladen werden. Die beste Temperatur zum Laden wäre von 20 – 25°C.
2. Nach Beendigung einer Ladung, lassen Sie das Ladegerät ungefähr 15 Minuten ruhen bevor die nächste Batterieladung unternommen wird.
Nicht mehr als zwei Batterien nacheinander laden.
3. Keine Fremdkörper durch das Anschlußloch der Batterie eindringen lassen.
4. Niemals die Batterie und das Ladegerät auseinandernehmen.

5. Niemals die Batterie kurzschließen. Kurzschluß der Batterie verursacht eine zu große Stromzufuhr und überhitzung, wodurch Durchbrennen oder Schaden beider Batterie entsteht.
6. Die Batterie nicht ins Feuer werfen. Sie könnte dabei explodieren.
7. Beim Bohren von Wand, Boden oder Decke, nachprüfen ob keine versenkten Kabel, usw. vorhanden sind.
8. Bringen Sie die Batterie zum Geschäft, wo Sie ihn gekauft haben sobald die Lebensdauer der Batterie abrinnt. Die erschöpfte Batterie nicht wegwerfen.
9. Benutzung verbrauchter Batterie beschädigt den Auflader.
10. Darauf achten, daß keine Gegenstände durch Belüftungsschlitze des Aufladers in das Gerät eindringen. Wenn Metallobjekte oder entzündliche Gegenstände durch die Belüftungsschlitze des Aufladers eindringen, kann dies zu elektrischen Schlägen führen oder den Auflader beschädigen.
11. Beim Einspannen von Bohrspitzen oder Stangenbohrern in das schlüssellose Spannfutter die Bohrhülse ausreichend festdrehen. Bei nicht ausreichend festgedrehter Bohrhülse kann die Bohrspitze verrutschen oder herausfallen und Verletzungen verursachen.

TECHNISCHE DATEN

ELEKTRO-WERKZEUG

Modell		DS12DM	
Leerlaufdrehzahl (Niedrig/Schnell)		0 – 350 / 0 – 1200min ⁻¹	
Kapazität	Bohren	Holz (Dicke 18mm)	27 mm
		Metall (Dicke 1,6mm)	Stahl: 13 mm, Aluminum: 13 mm
	Einschrauben	Maschineschraube	6 mm
		Holzschraube	6,8 mm (Durchschnitt) × 50 mm (Länge) (Bei vorgebohrtem Loch.)
Wiederaufladbare Batterie		EB1220BL: Ni-Cd 12 V (2,0 Ah, 10 zellen) EB1230HL: Ni-MH 12 V (3,0 Ah, 10 zellen)	
Gewicht		1,7 kg	

LADEGERÄT

Modell	UC14YFA
Ladespannung	7,2 – 14,4 V
Gewicht	0,6 kg

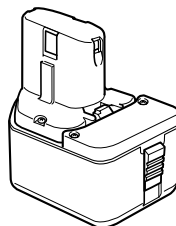
STANDARDZUBEHÖR

DS12DM	① Plusschrauber (Nr.2)	1
	② Ladegerät (UC14YFA)	1
	③ Plastikgehäus	1

Das Standardzubehör kann ohne vorherige Bekanntmachung jederzeit geändert werden.

SONDERZUBEHÖR (separat zu beziehen)

1. Batterie (EB1214L, EB1220BL, EB1222HL, EB1230HL)



Das Sonderzubehör kann ohne vorherige Bekanntmachung jederzeit geändert werden.

VERWENDUNG

- Einschrauben und Entfernung von Maschineschrauben, Holzschrauben, Schneidschrauben, etc.
- Bohren von verschiedenen Metallen.
- Bohren von verschiedenen Hölzern.

HERAUSNEHMEN/EINSETZEN DER BATTERIE

1. Herausnehmen der Batterie

Den Handgriff festhalten und die Batterieverriegelungen drücken, um die Batterie herauszunehmen (siehe **Abb. 1** und **2**).

VORSICHT:

Die Kontakte der Batterie niemals kurzschließen.

2. Einsetzen des Batterie

Den Batterie unter Beachtung der richtigen Richtung in das Gerät einsetzen. (Siehe **Abb. 2**).

LADEN

Vor Gebrauch des Akku-Bohrschraubers, den Batterie wie folgt laden.

- Den Netzstecker des Ladegerätes in eine Steckdose einstecken.

Beim Anschluß des Ladegeräts an eine Netzsteckdose blinkt das Kontrolllampe in Rot auf. (in Sekundenabständen).

- Schieben Sie die Batterie in das Ladegerät ein. Schieben Sie die Batterie fest in das Ladegerät ein, bis sie mit dem Boden des Ladegerätes Kontakt hat, und überprüfen Sie die Polarität wie in **Abb. 3** gezeigt.

VORSICHT:

- Wenn die Batterien verkehrt herum eingelegt werden, wird nicht nur Laden unmöglich, sondern es kann auch zu Problemen wie Verformung der Ladeklemmen kommen.

- Anzeigelämpchen






Beim Einlegen einer Batterie in das Ladegerät wird der Ladevorgang fortgesetzt, und leuchtet das Kontrolllampe kontinuierlich in Rot auf.

Wenn die Batterie voll aufgeladen ist, blinkt das Kontrolllampe in Rot. (in Sekundenabständen). (Siehe **Tafel 1**)

- Anzeigelämpchen

Das Kontrolllampe leuchtet auf, wie in **Tafel 1** gezeigt, entsprechend dem Zustand des verwendeten Ladegeräts für die Akkubatterie.

Tafel 1

Anzeigen der Kontrolllampe			
Vor dem Laden	Blinkt (ROT)	Leuchtet für 0,5 Sekunden. Loscht für 0,5 Sekunden. 	/
Beim Laden	Leuchtet (ROT)	Leuchtet kontinuierlich 	
Laden durchgeführt	Blinkt (ROT)	Leuchtet für 0,5 Sekunden. Loscht für 0,5 Sekunden. 	
Laden unmöglich	Flackert (ROT)	Leuchtet für 0,1 Sekunden. Loscht für 0,1 Sekunden. 	Betriebsstörung in der batterie oder im Ladegerät
Laden unmöglich	Leuchtet (GRÜN)	Leuchtet kontinuierlich 	Die Temperatur der Batterie ist hoch, wodurch das Aufladen unmöglich wird.

- Über die Temperatur der Akkubatterie
Die Temperatur von Akkubatterien ist wie in der folgenden Abbildung gezeigt, und Batterien, die sich zu stark erhitzt haben, sollten sich vor dem Aufladen etwas abkühlen.

Tafel 2 Aufladebereiche für Batterien

Akkubatterien	Temperaturen, bei denen die Batterie geladen werden kann
EB1214L, EB1220BL	-5°C – 60°C
EB1222HL, EB1230HL	0°C – 45°C

Tafel 3 Aufladezeit (bei 20°C)

Batterie	Ladegerät	UC14YFA
EB1214L		Etwa. 40 min.
EB1220BL		Etwa. 50 min.
EB1222HL		Etwa. 55 min.
EB1230HL		Etwa. 70 min.

HINWEIS:

Die Aufladezeit kann je nach Temperatur und Ladepannung unterschiedlich sein.

- Über die Aufladezeit
Je nach Kombination von Ladegerät und Batterien wird die Aufladezeit wie in **Tafel 3** gezeigt.

- Den Netzstecker des Ladegeräts aus der Steckdose ziehen.
- Das Ladegerät festhalten und die Batterie herausziehen.

HINWEIS:

Nach dem Betrieb zuerst die Batterien aus dem Ladegerät nehmen und dann die Batterien angemessen aufbewahren.

Zur Leistung von neuen Batterien.

Da die Batteriechemikalien von neuen Batterien und Batterien, die längere Zeit über nicht verworfen wurden, noch nicht bzw. nicht mehr aktiv sind, kann die Leistung von beim ersten und zweiten Einsatz niedrig sein. Dies ist eine vorübergehende Erscheinung, und die normale Batterieleistung wird nach zwei- oder dreimaligem Aufladen der Batterien wieder hergestellt.

Verlängerung der Lebensdauer von Batterien.

- (1) Die Batterien aufladen, bevor sie völlig erschöpft sind.

Wenn festgestellt wird, daß die Leistung des Werkzeugs nachläßt, mit der Arbeit aufhören und die Batterie aufladen.

Wenn das Werkzeug weiter verwendet wird und die Batterie völlig erschöpft wird, kann die Batterie beschädigt und ihre Lebensdauer verkürzt werden.

- (2) Nicht bei hohen Temperaturen aufladen.

Eine Akkubatterie erhitzt sich bei der Verwendung. Wenn solch eine Batterie sofort nach der Verwendung aufgeladen wird, werden die Batteriechemikalien beeinträchtigt, und die Batterielebensdauer nimmt ab. Die Batterie etwas stehen lassen und erst aufladen, wenn sie sich abgekühlt hat.

VORSICHT:

- Wenn die Akkubatterie geladen wird, während sie erhitzt ist weil sie sich längere Zeit im direkten Sonnenlicht befunden hat, oder weil sie gerade gebraucht wurde, kann es sein, daß Kontrollampe gebraucht wurde, kann es sein, daß die Kontrollampe des Ladegeräts in Grün leuchtet. In diesem Fall zuerst die Batterie abkühlen lassen und erst dann mit dem Aufladen beginnen.
- Wenn das Kontrollampe in schneller Folge in Rot flackert (in 0,2-Sekunden-Abständen), nachsehen ob Fremdkörper im Batteriefach sind und diese ggf. herausnehmen. Wenn keine Fremdkörper im Batteriefach sind, liegt wahrscheinlich eine Fehlfunktion bei der Batterie oder beim Ladegerät vor. Die Teile vom autorisierten Kundendienst prüfen lassen.
- Da der eingebaute Mikrocomputer etwa 3 Sekunden braucht, um zu bestätigen, daß die im UC14YFA zum Laden eingelegte Batterie herausgenommen wird, warten Sie mindestens 3 Sekunden, bevor Sie die Batterie zum Fortsetzen des Aufladens einlegen. Wenn die Batterie innerhalb von 3 Sekunden eingelegt wird, kann es sein, daß sie nicht richtig geladen wird.

VOR INBETRIEBNAHME

- 1. Aufstellung und Überprüfung der Arbeitsumgebung**
Prüfen Sie, ob die Arbeitsumgebung folgenden Vorsichtsbedingungen entspricht.

ANWENDUNG

- 1. Bestätigen Sie die Position der Kupplungsskala (siehe Abb. 5)**

Das Anzugdrehmoment dieses Gerätes kann entsprechend der Einstellungsposition auf der Kupplungsskala eingestellt werden.

- (1) Richten Sie bei Verwendung dieses Gerätes als Schraubenzieher eine der Zahlen "1, 3, 5, ..., 22" auf der Kupplungsskala oder den Punkt auf die Dreiecksmarkierung am äußeren Körper aus.
- (2) Richten Sie bei Verwendung dieses Gerätes als Bohrer das Bohrer-Zeichen „**▲**“ der Kupplungsskala auf die Dreiecksmarkierung am äußeren Körper aus.

VORSICHT:

- Die Kupplungsskala kann nicht zwischen den Zahlen "1, 3, 5, ..., 22" oder den Punkten eingestellt werden.
- Verwenden Sie das Gerät nicht mit der Kupplungsskalenzahl zwischen "22" und der Linie in der Mitte des Bohrer-Zeichens. Dies kann Beschädigung verursachen. (Siehe Abb. 6.)

- 2. Einstellung des Anziehdrehmoments**

- (1) Anziehdrehmoment

Das Anziehdrehmoment sollte dem Schraubendurchschnitt entsprechen.

Wenn zuviel Drehmoment angewandt wird, kann die Schraube brechen oder am Kopf beschädigt werden.

Achten Sie darauf, die Kupplungsskalenposition entsprechend dem Schraubendurchmesser einzustellen.

- (2) Anzeige des Anzugdrehmoments

Das Anzugdrehmoment unterscheidet sich entsprechend der Art der Schraube und des angezogenen Materials.

Das Gerät zeigt das Anzugdrehmoment mit den Zahlen "1, 3, 5, ..., 22" auf der Kupplungsskala und einem Punkt an. Das Anzugdrehmoment ist am schwächsten an der Position „1“ und am stärksten an der höchsten Zahl. (Siehe Abb. 6)

- (3) Einstellen des Anzugdrehmoments

Drehen Sie die Kupplungsskala und richten Sie eine der Zahlen "1, 3, 5, ..., 22" auf der Kupplungsskala oder den Punkt auf die Dreiecksmarkierung am äußeren Gehäuse aus. Verstellen Sie die Kappe entsprechend dem erforderlichen Drehmoment in Richtung von stärkerem oder schwächerem Drehmoment.

VORSICHT:

- Die Motordrehung kann anhalten, während das Werkzeug als Bohrer verwendet wird. Bei Gebrauch des Bohrschraubers, aufpassen daß der Motor nicht gesperrt ist.
- Eine zu lange Schlagbewegung könnte wegen zu starkem Anziehens der Schraube die Schraube brechen.

- 3. Wechsel der Aufrichtgeschwindigkeit**

Die Aufrichtgeschwindigkeit mit dem Schaltknopf wechseln.

Den Schaltknopf in Richtung Pfeil bewegen (Siehe Abb. 6 und 7).

Wenn der Schaltknopfdreh auf „LOW“ eingestellt ist, dreht sich der Bohrer langsam. Wenn auf „HIGH“ eingestellt, dreht sich der Bohrer schnellaufend.

VORSICHT:

- Beim Wechseln der Aufrichtgeschwindigkeit mit dem Schaltknopf, sich vergewissern, daß der Schalter auf-ZU-eingestellt und gesperrt ist. ändern der Geschwindigkeit bei laufendem Motor beschädigt das Getriebe.
- Wenn der Schaltknopf auf „HIGH“ (hohe Drehzahl) gestellt wird und die Kupplungsskala auf „17“ oder „22“ gestellt ist, kann es vorkommen, dass die Kupplung nicht eingreift und der Motor verriegelt

wird. Stellen Sie in diesem Fall bitte den Schaltknopf auf „LOW“ (niedrige Drehzahl).

- Falls der Motor gesperrt ist, sofort abstellen.
- Falls der Motor auf längerer Zeit in gesperrtem Zustand bleibt, mag es vorkommen, daß er oder der Akkumulator überhitzt werden.

4. Gebrauchs-Weite und Angaben




Die Gebrauchsweite für verschiedene Arbeitsleistungen, auf die mechanische Struktur dieses Werkzeuges basiert, ist auf der folgenden **Tafel 4** gezeigt:

Tafel 4

Arbeit		Anweisung
Bohren	Holz	Für bprarbeit verwenden.
	Stahl	
	Aluminium	
Einschrauben	Maschineschraube	Bohrespitze oder Hülse dem Schraubendurchschnitt verwenden.
	Holzschraube	Nach bohren von Führungsloch verwenden.

5. Wahl von Anzieldrehmoment und Drehfrequenz

Tafel 5

Verwendung		Kappenlage	Wahl der Drehgeschwindigkeit (Stellung des Schaltknopfs)	
			LOW (niedrige Geschwindigkeit)	HIGH (hohe Geschwindigkeit)
Einschrauben	Maschineschraube	1 - 22	Für Schrauben von 4 mm Durchmesser oder weniger.	Für Schraube von 6 mm Durchmesser oder weniger.
	Holzschraube	1 - 	Für 6,8 mm Durchmesser oder weniger Nenndurchschnitt.	Für 3,8 mm Durchmesser oder weniger Nenndurchschnitt.
Bohren	Holz		Für 27 mm Durchmesser oder weniger.	Für 18 mm Durchmesser oder weniger.
	Metall		Für Bohren mit Eisenbearbeitungsbohrer.	_____

VORSICHT:

- Die Wahlbeispiele die in **Tafel 5** angezeigt sind sollten als allgemeines Standard angesehen werden, da verschiedene Anziehschrauben und verschiedenes Material in Wirklichkeit verwendet werden, für dierechtmäßige anpassung natürlich erforderlich sein wird.
- Bei Verwendung des Schraubbohrers mit einer Maschineschraube bei Stellung HIGH (hohe Geschwindigkeit) kann die Schraube beschädigt oder gelockert werden, wil die Anzugsdrehkraft zu stark ist. In diesem Fall die Stellung LOW (niedrige Geschwindigkeit) verwenden.

HINWEIS:

Die Verwendung der Batterie EB1222HL oder EB1230HL in einer kalten Umgebung (unter 0°C) kann manchmal zu verringertem Anzugsdrehmoment und verringerter Arbeitsmenge führen. Dies ist jedoch eine zeitweilige Erscheinung, und bei Erwärmung des Batterie erfolgt Rückkehr zum Normalzustand.

6. Verwendung des Hakens

Der Haken kann an der rechten oder der linken Seite installiert werden, und der Winkel kann in 5 Schritten zwischen 0° und 80° eingestellt werden.

(1) Betätigung des Hakens

- (a) Ziehen Sie den Haken in Richtung des Pfeils (A) auf sich zu heraus und drehen Sie ihn in Richtung des Pfeils (B). (**Abb. 8**)
- (b) Der Winkel kann in 5 Schritten eingestellt werden (0°, 20°, 40°, 60°, 80°).
Stellen Sie den Winkel des Hakens wie für die Verwendung gewünscht ein.

(2) Wechsel der Hakenposition

VORSICHT:

Unvollständige Anbringung des Hakens kann bei der Verwendung zu Körperverletzungen führen.

- (a) Halten Sie die Haupteinheit sicher fest und entfernen Sie die Schraube mit einem Schraubenzieher oder einer Münze. (**Abb. 9**)
- (b) Entfernen Sie den Haken und die Feder. (**Abb. 10**)

- (c) Bringen Sie den Haken und die Feder an der anderen Seite an und befestigen Sie diese sicher mit der Schraube. (**Abb. 11**)

HINWEIS:

Achten Sie auf die Ausrichtung der Schraube. Bringen Sie die Feder mit dem größeren Durchmesser von sich weg an. (**Abb. 11**)

- (3) Verwendung des Dreherspitzenhalters

- Anbringen der Dreherspitze

Schieben Sie die Dreherspitze von der Seite her in der in **Abb. 12** gezeigten Richtung, und schieben Sie diese dann fest ein, bis die Nut der Spitze mit dem Vorsprung des Hakens einrastet.

- Entfernen der Dreherspitze

Halten Sie die Haupteinheit sicher fest und ziehen Sie die Dreherspitze heraus, indem Sie diese mit dem Daumen ergreifen. (**Abb. 13**)

VORSICHT:

- Wenn die Richtung der Dreherspitze wie in **Abb. 12** gezeigt umgekehrt wird, oder wenn der Schraubendreher mit unvollständig gespeicherter Dreherspitze verwendet wird, kann sich die Dreherspitze vom Haken lösen und Körperverletzungen verursachen.
- Es dürfen nur Kreuzschlitz-Dreherspitzen des Sonderzubehörs von Hitachi (Spitze Nr. 2: Code-Nr. 992671, Spitze Nr. 3: Code-Nr. 992672) verwendet werden. Verwenden Sie keine anderen Dreherspitzen, da diese sich lösen können.

7. Anbringen und Abnehmen des Schraubbits

- (1) Anbringen der Schraubenzieherspitze

N Lösen Sie die Muffe durch Linksdrehung (gegen den Uhrzeigersinn bei Sicht von vorne), um die Klammer des schlüssellosen Futters zu lösen. Schieben Sie dann eine Schraubenzieherspitze usw. in das schlüssellose Futter ein und ziehen Sie die Muffe durch Rechtsdrehung (im Uhrzeigersinn bei Sicht von vorne) an. (Siehe **Abb. 14**)

- Wenn sich die Buchse während des Betriebs lockert, so ziehen Sie sie wieder an. Die Anzugskraft wird größer, wenn die Buchse zusätzlich angezogen wird.

- (2) Entfernen der Schraubenzieherspitze

Lösen Sie die Muffe durch Linksdrehung (gegen den Uhrzeigersinn bei Sicht von vorne), um die Klammer des schlüssellosen Futters zu lösen, und entfernen Sie die Schraubenzieherspitze usw. (Siehe **Abb. 14**)

HINWEIS:

Wenn die Muffe angezogen wird, während die Klammer des schlüssellosen Futters maximal geöffnet ist, kann es zu einem klickenden Geräusch kommen. Dieses Geräusch tritt auf, wenn Lösen des schlüssellosen Futters verhütet wird, und es handelt sich hierbei nicht um eine Fehlfunktion.

VORSICHT:

- Wenn die Manschette nicht losgeschraubt werden kann, das eingesteckte Werkzeug in einem Schraubstock o.ä. befestigen, die Kupplung auf 1–11 stellen und die Manschette gegen den Uhrzeigersinn drehen, während die.

8. Automatischer Spindelverriegelungsmechanismus

Dieses Gerät hat einen automatischen Spindelverriegelungsmechanismus für schnellen Wechsel der Schraubenzieherspitze.

9. Sich vergewissern, daß die Batterie richtig angebracht ist.**10. Die Drehrichtung nachprüfen.**

Die Bohrerspitze dreht sich nach rechts (von der Hiterseite gesehen), wenn auf die R-Seite des Wählhebels gedrückt wird.

Um die Bohrerspitze nach links zu drehen auf die L-Seite des Wählhebels drücken. (Siehe **Abb. 15**) (Die (L) und (R) Zeichen sind auf dem Körper markiert).

11. Betätigung des Schalters

- Wenn der Schaltertrigger gedrückt ist, dreht sich das Werkzeug. Wenn ausgelöst, wird das Werkzeug abgestellt.

- Die Drehgeschwindigkeit des Bohrers kann durch Verändern des Betrags des Ziehens am Auslöser geregelt werden. Die Geschwindigkeit ist niedrig, wenn der Auslöser nur gering gezogen wird und nimmt zu, wenn er stärker gezogen.

HINWEIS:

- Wenn der Motor beginnt, zu rotieren, ist ein Summen zu hören. Dabei handelt es sich nicht um eine Störung.

WARTUNG UND INSPEKTION**1. Nachprüfen des Werkzeuges**

Da ein stumpfes Werkzeug die Leistung vermindern wird und eventuell ein schlechtes Funktionieren des Motors verursachen wird, das Werkzeug schärfen oder es wechseln sobald Verschleiß sichtbar wird.

2. Nachprüfen der Befestigungsschrauben

Alle Befestigungsschrauben regelmäßig auf gute Festschraubung nachprüfen. Falls irgendeine der Schrauben locker sein sollte, sofort anziehen. Vernachlässigung dieses Punktes kann zu erheblicher Gefahr führen.

3. Wartung des Motors

Die Motorwicklung ist das „Herz“ des Elektrowerkzeugs. Daher ist besonders sorgfältig darauf zu achten, daß die Wicklung nicht beschädigt wird und/oder mit Öl oder Wasser in Berührung kommt.

4. Inspektion der Kohlebürsten: (Abb. 16)

Im Motor sind Kohlebürsten verwendet, die Verbrauchsteile sind. Übermäßig abgenutzte Kohlebürsten führen zu Motorproblemen.

Deshalb muß eine Kohlebürste durch eine neue ersetzt werden, wenn sie teilweise oder ganz verbraucht ist. Darüber hinaus müssen die Kohlebürsten immer sauber gehalten werden und müssen sich in der Halterung frei bewegen können.

HINWEIS:

Beim Ersetzen der Kohlebürste durch eine neue, eine Hitachi-Kohlebürste mit der Kodenummer 999054 verwenden.

5. Austausch einer Kohlebürste

Die Kohlebürste nach Abnehmen der Bürstenkappe entfernen, indem die Kreppe der Kohlebürste wie in **Abb. 18** gezeigt mit einem flachen Schraubenzieher o.ä. erfaßt wird.

Beim Installieren der Kohlebürste die Richtung so wählen, daß die Klaue des Kohlebürste mit dem Kontakteil außerhalb des Bürstenrohrs übereinstimmt. Dann die Bürste wie in **Abb. 19**

gezeigt mit dem Finger einschieben und schließlich die Bürstenkappe anbringen.

VORSICHT:

Stellen Sie unbedingt sicher, daß die Klaue der Kohlebürste in den Kontaktteil außerhalb des Bürstenrohrs eingeschoben wird. (Eine der beiden vorhandenen Klauen muß eingeschoben werden.) Vorsicht ist erforderlich, da Fehler bei dieser Tätigkeit zu einer verformten Klaue der Kohlebürste und frühzeitigen Motorstörungen führen können.

6. Außenreinigung

Wenn der Bohrschrauber schmutzig ist, ihn mit einem weichen und trockenen Tuch abwischen oder mit einem in Seifenwasser benetzten Tuch. Kein Chlorsolvent, Benzin oder Farbsolvent verwenden da sie plastik-Material schmelzen.

7. Lagern

Den Bohrschrauber an einen Ort aufbewahren wo die Temperatur unter 40°C ist und außer Reichweite der Kinder.

8. Liste der Wartungsteile

A : Punkt Nr.

B : Code Nr.

C : Verwendete Anzahl

D : Bemerkungen

VORSICHT:

Reparatur, Modifikation und Inspektion von Hitachi-Elektrowerkzeugen müssen durch ein autorisiertes Hitachi-Kundendienstzentrum durchgeführt werden. Diese Teileliste ist hilfreich, wenn sie dem autorisierten Hitachi-Kundendienstzentrum zusammen mit dem Werkzeug für Reparatur oder Wartung ausgehändigt wird.

Bei Betrieb und Wartung von Elektrowerkzeugen müssen die Sicherheitsvorschriften und Normen beachtet werden.

MODIFIKATIONEN:

Hitachi-Elektrowerkzeuge werden fortwährend verbessert und modifiziert, um die neuesten technischen Fortschritte einzubauen.

Dementsprechend ist es möglich, daß einige Teile (z.B. Codenummern bzw. Entwurf) ohne vorherige Benachrichtigung geändert werden.

HINWEIS:

Aufgrund des ständigen Forschungs und Entwicklung sprogramms von HITACHI sind änderungen der hierin gemachten technischen Angaben vorbehalten.

Information über Betriebslärm und Vibration

Die Meßwerte wurden entsprechend EN50144 bestimmt.

Der typische A-gewichtete Schalldruck ist 70 dB (A). Bei der Arbeit immer einen Ohrenschutz tragen.

Der typische gewogene quadratische Mittelwert für die Beschleunigung ist 2,0 m/s².

PRECAUTIONS GENERALES

1. Maintenir la zone de travail propre. Des surfaces et des bancs de travail encombrés sont propices aux accidents.
2. Eviter des alentours dangereux. Ne pas exposer l'outil et le chargeur à la pluie. Ne pas utiliser l'outil ou le chargeur en des endroits humides ou mouillés. Maintenir la zone de travail bien éclairée. Ne jamais utiliser d'outils électro-portatifs et de chargeur à proximité de matières inflammables ou explosives. Ne pas utiliser l'outil et le chargeur en présence de gaz ou de liquide inflammables.
3. L'outil n'est pas conçu pour être utilisé par de jeunes enfants ou des personnes handicapées sans surveillance. Les jeunes enfants devront être surveillés pour s'assurer qu'ils ne jouent pas avec l'outil. Tous les visiteurs doivent être maintenus à bonne distance de l'aire de travail.
4. Ranger l'outil et le chargeur quand ils sont hors service. Quand vous ne les utilisez pas, l'outil et le chargeur seront rangés dans un endroit sec et surélevé ou fermé à clef, c'est-à-dire hors de portée des enfants et des infirmes. Ranger l'outil et le chargeur dans un endroit où la température est inférieure à 40°C.
5. Ne pas forcer l'outil. Il travaillera mieux et plus sûrement au régime pour lequel il a été conçu.
6. Utiliser l'outil qui convient. Ne pas forcer un petit outil ou accessoire à faire le travail d'un outil de haute puissance.
7. Porter les vêtements appropriés. Pas de vêtements flous ou d'accessoires qui risqueraient d'être pris dans les pièces mobiles. Des gants et chaussures en caoutchouc sont recommandés pour les travaux effectués l'extérieur.
8. Porter des lunettes de sécurité avec la plupart des outils. Et aussi un masque si le travail de coupage dégage de la poussière.
9. Ne pas fatiguer le cordon. Ne jamais porter le chargeur par le cordon, et pour le débrancher de la prise ne pas tirer le cordon. Maintenir le cordon à l'écart de la chaleur, de l'huile et des arrêtes pointues.
10. Fixer la pièce de travail. Utiliser des crampons ou un étai pour fixer la pièce de travail. Ceci est plus sûr que d'utiliser vos mains qui seront libres pour manipuler l'outil.
11. Ne pas se pencher de trop. Maintenir un bon équilibre en toutes circonstances.
12. Veiller soigneusement à l'entretien de l'outil. Garder le toujours bien aiguisé, et le nettoyer pour assurer la meilleure performance possible. Bien suivre les instructions de lubrification et de remplacement des accessoires.
13. Quand le chargeur n'est pas utilisé ou quand il est soumis à l'entretien ou à une vérification, débrancher le cordon du chargeur de la prise secteur.
14. Enlever la clef à mandrin et les clefs. Prendre l'habitude de vérifier si la clef a été enlevée de l'outil avant la mise en marche.
15. Eviter une mise en marche accidentelle. Ne pas porter l'outil avec le doigt sur l'interrupteur.
16. Utiliser toujours le chargeur spécifié. Ne jamais utiliser un chargeur autre que celui spécifié pour éviter les dangers.
17. N'utiliser que des pièces de rechange HITACHI d'origine.
18. Ne pas utiliser l'outil et le chargeur pour une application autre que celles spécifiées dans le mode d'emploi.
19. L'utilisation d'accessoires ou fixations autres que ceux préconisés dans le manuel d'instructions ou le catalogue HITACHI peut présenter un danger pour l'utilisateur.
20. Toute réparation doit être effectuée par un réparateur agréé. Le fabricant ne peut être tenu responsable des dommages ou blessures dus à une réparation effectuée par une personne non autorisée ou par une mauvaise utilisation de l'outil.
21. Pour assurer l'intégrité de la conception de fonctionnement de l'outil et du chargeur, ne pas enlever les couvercles ou les vis qui ont été installés.
22. Utiliser toujours le chargeur à la tension spécifiée sur la plaque indicatrice.
23. Ne pas toucher les pièces mobiles quand l'outil n'est pas débranché de la source d'alimentation.
24. Charger toujours la batterie avant utilisation.
25. Ne jamais utiliser une batterie autre que celle spécifiée. Ne pas connecter une pile sèche ordinaire, une batterie rechargeable autre que celle spécifiée ou une batterie d'auto à l'outil électro-portatif.
26. Ne pas utiliser de transformateur élévateur.
27. Ne pas charger la batterie à partir d'un générateur électrique ou d'une alimentation en courant continu.
28. Charger toujours à l'intérieur. Etant donné que le chargeur et la batterie chauffent légèrement pendant l'opération de charge, charger la batterie dans un endroit non exposé aux rayons du soleil, à basse humidité et bien aéré.
29. Quand vous travaillez dans un endroit surélevé, faire attention à ce qui se passe au-dessous de vous. Avant de commencer le travail, s'assurer qu'il n'y a personne au-dessous.
30. La vue éclatée contenue dans ce manuel d'instructions doit être utilisée seulement dans un centre de réparation agréé.
31. Si le cordon d'alimentation est endommagé, il faudra le faire remplacer par le fabricant ou son service après-vente, ou par toute autre personne qualifiée pour éviter tout danger.

PRECAUTIONS POUR PERCEUSE-VISSEUSE À BATTERIE

1. Chargez toujours la batterie à une température de 0 - 40°C. Une température inférieure à 0°C entraînera une surcharge dangereuse. La batterie ne peut pas être chargée à une température supérieure à 40°C. La température la plus appropriée serait de 20 - 25°C.

2. Quand une charge a été effectuée, laissez le chargeur au repos pendant environ 15 minutes avant de commencer la prochaine charge de batterie.
Ne pas recharger plus de deux batteries de suite.
3. Ne laissez pas de corps étrangers pénétrer par le trou de raccord de la batterie rechargeable.
4. Ne désassemblez jamais la batterie rechargeable et le chargeur.
5. Ne court-circuitiez jamais la batterie rechargeable. Le fait de court-circuiter la batterie générera un courant électrique élevé et une surchauffe, ce qui entraînera la brûlure ou l'endommagement de la batterie.
6. Ne jetez pas la batterie au feu. Elle pourrait exploser.
7. Pour le forage dans un mur, le sol ou le plafond, vérifiez qu'il n'y a pas présence de cordons électriques enfouis, etc.
8. Apportez la batterie au magasin où vous l'avez achetée dès que la durée de vie de post-charge de la batterie devient trop courte pour une utilisation pratique. Ne jetez pas de batterie usagée.
9. L'utilisation d'une batterie usagée endommagera le chargeur.
10. Ne pas introduire d'objets métalliques ou des produits inflammables dans les fentes d'aération du chargeur, cela provoquera un choc électrique ou endommagera le chargeur.
11. Lorsque vous montez un foret ou une mèche dans le plateau de serrage sans clavettes, serrez suffisamment le manchon. Si ce dernier est trop lâche, le foret ou la mèche risque de glisser ou de tomber et blesser quelqu'un.

SPECIFICATIONS

OUTIL ELECTRIQUE

Modèle		DS12DM	
Vitesse à vide (Basse/Grande)		0 - 350 / 0 - 1200min ⁻¹	
Capacité	Perçage	Bois (épaisseur 18mm)	27 mm
		Métal (épaisseur 1,6mm)	Acier: 13 mm, Aluminium: 13 mm
	Enfoncement	Vis mécanique	6 mm
		Vis de bois	6,8 mm (diamètre) × 50 mm (Longueur) (Orifice préformé)
Batterie rechargeable		EB1220BL: Ni-Cd 12 V (2,0 Ah, 10 cellules) EB1230HL: Ni-MH 12 V (3,0 Ah, 10 cellules)	
Poids		1,7 kg	

CHARGEUR

Modèle	UC14YFA
Tension de charge	7,2 - 14,4 V
Poids	0,6 kg

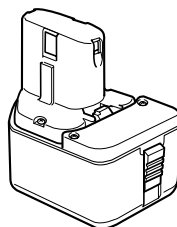
ACCESSOIRES STANDARD

DS12DM	① Mèche-visseuse cruciforme (No.2)	1
	② Chargeur (UC14YFA)	1
	③ Boîtier en plastique	1

Les accessoires standard sont sujets à changement sans préavis.

ACCESSOIRES SUR OPTION (vendus séparément)

1. Batterie (EB1214L, EB1220BL, EB1222HL, EB1230HL)



Les accessoires à option sont sujets à changement sans préavis.

APPLICATION

- Enfoncement et extraction de vis mécaniques, vis de bois, vis de taraudage, etc.
- Forage de différents métaux.
- Forage de différents bois.

EXTRACTION ET INSTALLATION DE LA BATTERIE

1. Retrait de la batterie

Maintenir fermement la poignée et pousser le taquet de la batterie pour l'enlever. (Voir **Fig. 1** et **2**.)

ATTENTION :

Ne jamais court-circuiter la batterie.

2. Mise en place de la batterie

Insérer la batterie tout en respectant la polarité. (Voir **Fig. 2**).

CHARGE

Avant d'utiliser la perceuse à visseuse, chargez la batterie comme suit.

1. Brancher le cordon d'alimentation du chargeur sur une prise secteur.

Quand vous raccordez la fiche du chargeur à une prise murale, la lampe témoin clignote en rouge.

2. Insérer la batterie dans le chargeur.

Insérer fermement la batterie dans le chargeur jusqu'à ce qu'elle entre en contact avec le fond du chargeur et en vérifiant la polarité indiquée dans la **Fig. 3**.

ATTENTION :

○ Si les piles sont insérées dans le mauvais sens, la recharge sera impossible et des anomalies peuvent survenir dans le chargeur, telles qu'une déformation des bornes.

3. Recharge






Quand vous insérez une batterie dans le chargeur, la recharge commence et la lampe témoin s'allume en rouge.

Quand la batterie est complètement chargée, la lampe témoin clignote en rouge. (à intervalles d'une seconde). (voir **Tableau 1**)

(1) Indication de la lampe témoin

Les indications de la lampe témoin sont expliquées dans le **Tableau 1**, selon la condition du chargeur ou de la batterie rechargeable.

Tableau 1

Indications de la lampe témoin			
Avant la recharge	Clignote (ROUGE)	S'allume pendant 0,5 seconde. Ne s'allume pas pendant 0,5 seconde. (Eteint pendant 0,5 seconde) 	/
Pendant la recharge	S'allume (ROUGE)	S'allume sans interruption 	
Recharge terminée	Clignote (ROUGE)	S'allume pendant 0,5 seconde. Ne s'allume pas pendant 0,5 seconde. (Eteint pendant 0,5 seconde) 	
Recharge impossible	Clignote (ROUGE)	S'allume pendant 0,1 seconde. Ne s'allume pas pendant 0,1 seconde. (Eteint pendant 0,1 seconde) 	Anomalie de la batterie ou du chargeur
Recharge impossible	S'allume (VERTE)	S'allume sans interruption 	La température de la batterie est élevée et la recharge est impossible.

(2) Au sujet de la température de la batterie rechargeable
Les températures des batteries rechargeables sont indiquées dans le tableau ci-dessous. Laisser refroidir les batteries qui ont chauffé avant de les recharger.

Tableau 2 Plage de recharge des batteries

Batteries rechargeables	Températures de recharge de la batterie
EB1214L, EB1220BL	-5°C – 60°C
EB1222HL, EB1230HL	0°C – 45°C

(3) Au sujet du temps de recharge

Suivant le type de chargeur et de batterie, le temps

de recharge indiqué sur le **Tableau 3** varie comme suit:

Tableau 3 Temps de recharge (à 20°C)

Batterie	Chargeur	UC14YFA
EB1214L		Env. 40 min.
EB1220BL		Env. 50 min.
EB1222HL		Env. 55 min.
EB1230HL		Env. 70 min.

REMARQUE :

Le temps de recharge peut varier selon la température et la tension de la source.

- Débrancher le cordon d'alimentation secteur de la prise secteur.
- Tenir fermement le chargeur et dégager la batterie.

REMARQUE :

Après l'utilisation, commencer par sortir les batteries du chargeur, puis conserver les batteries correctement.

En ce qui concerne le courant de décharge d'une batterie neuve.

Etant donnée que les substances chimiques internes sont restées inactives dans le cas des batteries neuves ou des batteries qui sont restées longtemps inutilisées, le courant de décharge risque d'être très faible lors des première et deuxième utilisations. Ce phénomène est temporaire et le temps de recharge normal sera rétabli quand les batteries auront été rechargées 2 ou 3 fois.

Comment prolonger la durée de vie des batteries.

- Recharger les batteries avant qu'elles ne soient complètement épuisées.
Quand la puissance de l'outil utilisé faiblit, l'éteindre et recharger la batterie. Si l'outil continue d'être utilisé jusqu'à épuisement du courant électrique, la batterie risque d'être endommagée et sa durée de vie se raccourcira.
- Eviter d'effectuer la recharge sous des températures élevées.
Une batterie est toujours chaude immédiatement après son utilisation. Si la batterie est rechargée immédiatement après utilisation, les substances chimiques internes risquent de se détériorer et la durée de vie de la batterie se raccourcira. Laisser la batterie refroidir un moment avant de l'utiliser.

ATTENTION :

- Si la batterie est chaude quand elle est rechargée, parce qu'elle est restée longtemps en plein soleil ou parce qu'elle vient juste d'être utilisée, la lampe témoin du chargeur peut s'allumer en vert. Dans une telle éventualité, laisser la batterie refroidir, puis procéder à la recharge.
- Quand la lampe témoin clignote rapidement en rouge (à intervalles de 0,2 seconde), vérifier le chargeur et retirer tout objet étranger qui serait tombé dans l'ouverture lors de la mise en place. S'il n'y a rien d'amormal, il est alors probable que la batterie ou le chargeur fonctionne mal. Dans ce cas, les enlever et les porter à un réparateur agréé.
- Etant donné qu'il faut environ 3 secondes au micro ordinateur intégré pour confirmer l'extraction de la batterie en cours de chargement avec le UC14YFA, attendre 3 secondes au minimum avant de la réinsérer pour continuer le chargement. Si la batterie est réinsérée dans les 3 secondes, elle risque de ne pas être correctement rechargée.

AVANT LA MISE EN MARCHÉ

1. Installation et vérification de l'environnement de travail

Vérifier si l'environnement de travail est adéquat en suivant les précautions.

UTILISATION

1. Vérifier la position du sélecteur de débrayage (Fig. 5).

Le couple de serrage est défini par la position du sélecteur de débrayage.

- En mode visseuse, alignez l'un des chiffres du sélecteur "1, 3, 5, ... 22" ou le point avec le repère triangulaire sur le corps.
- En mode perceuse, alignez le symbole du foret "▲" sur le sélecteur de débrayage avec le repère triangulaire sur le corps.

ATTENTION :

- Il est impossible de positionner le sélecteur de débrayage entre les chiffres "1, 3, 5, ... 22" ou le point.
- N'utilisez pas l'outil avec le sélecteur de débrayage positionné entre le chiffre "22" et la ligne au centre du symbole du foret, vous risqueriez de l'endommager (voir Fig. 6).

2. Réglage du couple de serrage

(1) Couple de serrage

Le couple de serrage devra correspondre au diamètre de la vis utilisée. Si trop de force est utilisée, il se peut que la vis se casse ou s'endommage dans la partie de sa tête. Assurez-vous de positionner le sélecteur de débrayage en fonction du diamètre de la vis.

(2) Indication du couple de serrage

Le couple de serrage varie en fonction du type de vis et du matériau à serrer. Le couple de serrage est indiqué par les chiffres "1, 3, 5, ... 22" sur le sélecteur de débrayage et un noir. La position "1" correspond au couple le plus faible et le chiffre le plus élevé au couple le plus important (voir Fig. 6).

(3) Réglage du couple de serrage

Faites tourner le sélecteur de débrayage et alignez l'un des chiffres "1, 3, 5, ... 22" ou le point avec le repère triangulaire sur le corps. Faites tourner le sélecteur vers la droite ou la gauche, suivant le couple souhaité.

ATTENTION :

- Il se peut que la rotation du moteur se verrouille et s'arrête pendant que l'outil est utilisé en tant que perceuse.
Pendant le fonctionnement de la perceuse-visseuse, faites attention à ne pas verrouiller le moteur.
- Une percussion trop prolongée peut casser la vis par suite d'un serrage excessif.

3. Changement de vitesse de rotation

Actionnez le bouton de décalage pour changer la vitesse de rotation. Enfoncez le bouton de blocage pour ralâcher le blocage et déplacez le bouton de décalage dans la direction de la flèche (Voir les Fig. 6 et 7).

Quand le bouton de décalage est mis sur "LOW" (petite vitesse), la perceuse tourne à petite vitesse. Quand mis sur "HIGH" (grande vitesse), la perceuse tourne à grande vitesse.

ATTENTION :

- Lors du changement de la vitesse de rotation à l'aide du bouton de décalage, assurez-vous que l'interrupteur est sur arrêt et que le sélecteur est mis sur "0" (ARRÊT).
Le fait de changer la vitesse quand le moteur tourne endommagera l'engrenage.

- Si le bouton de réglage est en position "HIGH" (grande vitesse) et que le sélecteur de débrayage est sur "17" ou "22", l'embrayage ne sera peut-être pas engagé et le moteur risque alors d'être bloqué. Dans ce cas, amenez le bouton de réglage en position "LOW" (petite vitesse).
- Si le moteur a été verrouillé, débranchez

immédiatement l'alimentation. Si le moteur reste verrouillé pendant un certain temps, le moteur ou la batterie en seront brûlés.




- 4. Portée et recommandations pour l'utilisation**
 La portée de l'utilisation pour les différents types de travaux basée sur la structure mécanique de cet outil est indiquée au **Tableau 4** ci-dessous:

Tableau 4

Travail		Recommandations
Forage	Bois	Utiliser pour opération de forage.
	Acier	
	Aluminium	
Enfoncement	Vis mécanique	Utiliser la mèche ou la douille adaptés au diamètre de la vis.
	Vis de bois	Utiliser après forage d'un trou de préparation.

5. Sélection de la couple de serrage et de la fréquence de rotation

Tableau 5

Utilisation		Position du capuchon	Sélection de vitesse de rotation (Position du bouton de changement)	
			LOW (Petite vitesse)	HIGH (Grande vitesse)
Enfoncement	Vis mécanique	1 - 22	Pour vis de 4 mm ou moins diamètre.	Pour vis de 6 mm ou moins diamètre.
	Vis de bois	1 - 	Pour vis de 6,8 mm ou moins, diamètre nominal.	Pour vis de 3,8 mm ou moins diamètre nominal.
Forage	Bois		Pour diamètre de 27 mm ou moins.	Pour diamètre de 18 mm ou moins.
	Métal		Pour forage avec perceuse à travailler le fer.	_____

ATTENTION :

- Les exemples choisis et montrés au **Tableau 5**, seront pris en tant qu'exemples standard étant donné que différents vis de serrages et différents matériels devant être serrés seront utilisés réellement, et pour lesquels un réglage approprié sera évidemment requis.
- Si la machine est utilisée pour serrer une vis à métaux à grande vitesse (HIGH), la vis risque d'être endommagée ou de se desserrer à cause de la trop grande force de torsion. Ne serrer qu'à petite vitesse (LOW) une vis à métaux.

REMARQUE :

L'utilisation de la batterie EB1222HL et EB1230HL par temps froid (à moins de 0 °C) peut parfois entraîner un affaiblissement du couple de serrage et une réduction du volume de travail. Il s'agit d'un phénomène purement temporaire et la batterie recommencera à fonctionner normalement lorsqu'elle se sera réchauffée.

6. Utilisation du crochet

Le crochet peut se fixer sur le côté droit ou sur le côté gauche, et son angle peut se régler sur 5 paliers, entre 0° et 80°.

- (1) Ouverture du crochet
- (a) Tirer le crochet vers soi dans le sens de la flèche (A), et le tourner dans le sens de la flèche (B). (**Fig. 8**)

- (b) L'angle se règle sur 5 paliers (0°, 20°, 40°, 60°, 80°).
 Régler l'angle du crochet sur la position d'utilisation voulue.

- (2) Modification de la position du crochet

ATTENTION :

- Faire installation incomplète du crochet peut entraîner des blessures physiques lors de l'utilisation.
- (a) Tenir fermement le boîtier de l'outil et retirer la vis à l'aide d'un tournevis pour écrou à fente ou d'une pièce de monnaie. (**Fig. 9**)
 - (b) Retirer le crochet et le ressort. (**Fig. 10**)
 - (c) Fixer le crochet et le ressort de l'autre côté et serrer à fond avec la vis. (**Fig. 11**)

REMARQUE :

Faire attention à l'orientation du ressort. Installer le ressort avec le gros diamètre loin de soi. (**Fig. 11**)

- (3) Utilisation du porte-mèche

- Installation de la mèche
 Glisser la mèche en procédant par le côté, dans le sens indiqué sur la **Fig. 12**, puis l'insérer à fond jusqu'à ce que la rainure de la mèche se verrouille dans la section en saillie du crochet.
- Retrait de la mèche
 Tenir fermement le boîtier de l'outil et tirer sur la mèche tout en tenant son extrémité avec le pouce. (**Fig. 13**)

ATTENTION :

- La mèche risque de se détacher du crochet et de provoquer des blessures physiques si le sens de la mèche est inversé comme indiqué à la **Fig. 12**, ou si la perceuse est utilisée avec une mèche incomplètement insérée.
- Utiliser exclusivement les ACCESSOIRES EN OPTION et les mèches (No. de mèche 2 ; No. de code 992671, No. de mèche 3 ; No. de code 992672) Hitachi d'origine. Ne pas utiliser d'autres mèches car elles risqueraient de se détacher.

7. Pese et dépose du foret

- (1) Fixation de la mèche
Desserrer le manchon en le tournant vers la gauche (dans le sens inverse des aiguilles d'une montre vu de face) pour ouvrir l'attache du mandrin sans clavette. Insérer la mèche, etc. dans le mandrin à attache sans clavette, et serrer le manchon en le tournant vers la droite (dans le sens des aiguilles d'une montre vu de face). (Voir **Fig. 14**)
- Si le manchon se desserre pendant le fonctionnement, le resserrer.
La force de serrage augmente lorsqu'on serre le manchon davantage.

(2) Retrait de la mèche

- Desserrer le manchon en le tournant vers la gauche (dans le sens inverse des aiguilles d'une montre vu de face), et sortir la mèche, etc. (Voir **Fig. 14**)

REMARQUE :

Si l'on serre le manchon alors que l'attache du mandrin sans clavette est ouverte au maximum, un clic risque de se faire entendre. Ce bruit indique que le desserrage du mandrin sans clavette est empêché, et il est normal.

ATTENTION :

- Lorsque le manchon ne peut pas être dévissé, bloquer l'outil emmanché dans un étau, etc., mettre l'embrayage sur 1 à 11 et tourner le manchon dans le sens contraire des aiguilles d'une montre tout en faisant fonctionner l'embrayage.

8. Mécanisme de verrouillage d'axe automatique

L'outil possède un mécanisme de verrouillage d'axe automatique qui permet le remplacement rapide des mèches.

9. Vérifiez se la batterie a été correctement installée.

10. Vérifiez la direction de rotation.

La mèche tourne dans le sens horaire (vu de l'arrière) quand on appuie sur côté-R du sélecteur. En appuyant sur côté-L du sélecteur la mèche tourne dans le sens anti-horaire. (Voir **Fig. 15**). (Les repères (L) et (R) sont marqués sur le corps).

11. Fonctionnement de l'interrupteur

- Quand le trigger de l'interrupteur est tiré, l'outil tourne. Quand le trigger est relâché, l'outil s'arrête.
- La vitesse de rotation de la foreuse peut être contrôlée en faisant varier la force avec laquelle on appuie sur l'interrupteur. En appuyant légèrement sur l'interrupteur, la vitesse est basse et elle augmente lorsqu'on appuie plus fort.

REMARQUE :

- La vitesse de rotation de la foreuse peut être contrôlée en faisant varier la force avec laquelle on appuie sur l'interrupteur. En appuyant légèrement sur l'interrupteur, la vitesse est basse et elle augmente lorsqu'on appuie plus fort.

ENTRETIEN ET VERIFICATION

1. Vérification de l'outil

Etant donné que l'utilisation d'un outil émoussé réduira le rendement et entrainera éventuellement un mauvais fonctionnement du moteur, aiguiser dès qu'une abrasion apparait.

2. Vérifiez régulièrement toutes les vis de fixation

Vérifiez régulièrement toutes les vis de fixation et assurez-vous qu'elles sont bien serrées. S'il advient qu'une vis se desserre, la resserrer immédiatement. Le fait de négliger ce point pourrait entrainer de sérieux dangers.

3. Entretien du moteur

Le bobinage de l'ensemble moteur est le "cœur" même de l'outil électro-portatif. Veiller soigneusement à ce que ce bobinage ne soit pas endommagé et/ou mouillé par de l'huile ou de l'eau.

4. Contrôle des balais en carbone : (Fig. 16)

Le moteur utilise des balais en carbone qui sont des pièces qui s'usent. Comme un balai en carbone trop usé peut détériorer le moteur, remplacer les balais en carbone par des neufs lorsqu'ils sont usés ou près de la "limite d'usure". En outre, toujours maintenir les balais en carbone propres et veiller à ce qu'ils coulissent librement dans les supports.

REMARQUE :

Lors du remplacement des balais en carbone par des neufs, bien utiliser des balais en carbone Hitachi, No. de code 999054.

5. Remplacement d'un balai en carbone

Pour sortir le balai en carbone, commencer par retirer le capuchon du balai, puis décrocher la saillie du balai en carbone avec un tournevis à tête plate, etc., comme indiqué sur la **Fig. 18**.

Pour installer le balai en carbone, choisir le sens de façon que le clou du balai en carbone s'adapte à la section de contact à l'extérieur du tube de balai. Puis l'enfoncer du doigt comme indiqué à la **Fig. 19**. Enfin, remettre le capuchon du balai en place.

ATTENTION :

Bien veiller impérativement à insérer le clou du balai en carbone dans la section de contact à l'extérieur du tube de balai. (On pourra insérer n'importe lequel des deux clous fournis.)

Procéder avec précaution, car une erreur dans cette opération risque de déformer le clou du balai en carbone et d'endommager précocement le moteur.

6. Nettoyage de l'extérieur

Quand la perceuse-visseuse eset sale, essuyez la avec un chiffon sec et doux ou un chiffon imbibé d'eau savonneuse.

N'utilisez pas de solvant au chlore, d'essence ou de diluant, car ils font fondre les matières plastiques.

7. Rangement

Rangez la perceuse-visseuse dans un endroit où la température est inférieure à 40°C et hors de portée des enfants.

8. Liste des pièces de rechange

- A : No. élément
- B : No. code
- C : No. utilisé
- D : Remarques

ATTENTION :

Les réparations, modifications et inspections des outils électriques Hitachi doivent être confiées à un service après-vente Hitachi agréé.

Il sera utile de présenter cette liste de pièces au service après-vente Hitachi agréé lorsqu'on apporte un outil nécessitant des réparations ou tout autre entretien.

Lors de l'utilisation et de l'entretien d'un outil électrique, respecter les règlements et les normes de sécurité en vigueur dans le pays en question.

MODIFICATIONS :

Les outils électriques Hitachi sont constamment améliorés et modifiés afin d'incorporer les tous derniers progrès technologiques.

En conséquence, il est possible que certaines pièces (c.-à-d. no. de code et/ou dessin) soient modifiées sans avis préalable.

REMARQUE :

Par suite du programme permanent de recherche et de développement HITACHI, ces spécifications peuvent faire l'objet de modifications sans avis préalable.

Au sujet du bruit et des vibrations

Les valeurs mesurées ont été déterminées en fonction de la norme EN50144.

Le niveau de pression acoustique pondéré A est de 70 dB (A).

Porter un casque de protection.

Valeur d'accélération moyenne quadratique pondérée type: 2,0 m/s².

PRECAUZIONI PER LE OPERAZIONI GENERALI

1. Tenere pulita l'area di lavoro. Aree in disordine e banchi ingombri, invitano gli incidenti.
2. Evitare ambienti pericolosi. Non esporre gli utensili elettrici e il caricabatterie alla pioggia. Non usare gli utensili elettrici e il caricabatterie all'umidità e al bagnato. Tenere l'area di lavoro ben illuminata. Non usare mai gli utensili elettrici e il caricabatterie vicino a sostanze infiammabili o esplosive. Non usare gli utensili e il caricabatterie in presenza di gas o liquidi infiammabili.
3. Tenere l'apparecchiatura lontana dalla portata dei bambini o dei malati senza sorveglianza. I bambini devono essere sorvegliati per evitare che giochino con l'apparecchiatura. Tutti i visitatori devono essere mantenuti a distanza di sicurezza dalla zona di lavoro.
4. Riporre il caricabatterie e gli utensili non utilizzati. Quando non utilizzati, il caricabatterie e gli utensili devono essere riposti in un luogo secco ed elevato o chiuso a chiave e comunque fuori dalla portata dei bambini e delle persone inferme. Sistemare gli utensili ed il caricabatterie in luoghi con temperatura inferiore ai 40°C.
5. Non forzare l'utensile. Farà il suo lavoro meglio e con maggior sicurezza alla velocità per la quale è stato concepito.
6. Usare l'utensile giusto. Non forzare utensili o accessori minori a compiere il lavoro di utensili per grandi prestazioni.
7. Indossare indumenti adatti: nessun indumento troppo largo né bigiotteria che possano restare impigliati nelle parti in movimento. Quando si lavora all'aperto si consiglia di indossare guanti e calzature di gomma.
8. Con la maggior parte degli utensili occorre indossare occhiali protettivi. Se l'operazione di taglio comporta la formazione di polvere occorre usare anche maschere facciali o anti-polvere.
9. Non maltrattare il cavo. Non portare mai utensili per il cavo né tirare per togliere la spina dalla presa. Tenere il cavo lontano dal calore, dalle lame taglienti e da olio.
10. Fissare l'oggetto da lavorare. Usare staffe o morse per fissare il lavoro. Entrambe le mani devono essere libere di maneggiare l'utensile.
11. Non sporgersi durante il lavoro. Stare su due piedi ed in equilibrio stabile in ogni momento.
12. Tenere sempre in buone condizioni gli utensili. Tenerli sempre affilati e puliti per ottenerne la migliore e più sicura prestazione. Seguire le istruzioni per la lubrificazione e per il cambio degli accessori.
13. Quando il caricatore non viene usato, o quando si stanno svolgendo le operazioni di manutenzione ed ispezione, staccare il cavo della corrente del caricatore dalla presa AC.
14. Togliere le chiavi e la chiave del mandrino. Prendere l'abitudine di controllare che non ci siano chiavi in vicinanza prima di accendere l'attrezzo.
15. Evitare la messa in marcia accidentale. Non portare l'attrezzo con il dito sull'interruttore.
16. Usare sempre il caricabatterie specificato, in modo da impedire incidenti, non usare mai caricabatterie d'altro tipo.
17. Usare solo parti di ricambio originali HITACHI.
18. Non usare gli utensili elettrici e il caricabatterie per impieghi diversi da quelli specificati nelle istruzioni per l'uso.
19. L'uso di ogni altro accessorio o dispositivo di attacco raccomandato in queste istruzioni di impiego o nel catalogo HITACHI potrebbe causare danni personali.
20. La riparazione deve essere fatta solamente dal personale autorizzato. Il produttore non è responsabile per danni o incidenti causati da persone non autorizzate, né dell'eventuale malutilizzo dell'utensile.
21. Per ottenere l'integrità di funzionamento per la quale gli utensili e il caricabatterie sono stati concepiti, non togliere le protezioni e le viti installate.
22. Usare il caricabatterie sempre e solo al voltaggio specificato sulla targhetta.
23. Non toccare parti muoventi o gli accessori prima che la corrente non sia stata staccata.
24. Caricare sempre la batteria prima dell'uso.
25. Non usare mai batterie diverse da quelle specificate. Non collegare un elemento secco uguale, una batteria ricaricabile diversa da quella specificata o una batteria da automobile all'utensile elettrico.
26. Non usare trasformatori con alimentatori stabilizzati.
27. Non caricare la batteria da un motogeneratore o da una fonte di corrente DC.
28. Effettuare le operazioni di ricarica sempre all'interno. Sia il caricabatterie che la batteria si surriscaldano durante il ricaricamento. Portare la batteria in un posto non esposto direttamente al raggio del sole e che sia ben ventilato.
29. Quando si lavora in alto, fare attenzione a quanto si svolge al di sotto. Assicurarsi che non ci siano persone prima di iniziare le operazioni.
30. Il disegno completo dello spaccato inserito su queste istruzioni di impiego dovrebbe essere utilizzato solo dal personale autorizzato.
31. Se il cavo di alimentazione è difettoso, deve essere sostituito dal produttore, dall'assistenza tecnica o da un tecnico qualificato per evitare pericoli.

PRECAUZIONI PER L'USO DEL TRAPANOAVVITATORE A BATTERIA

1. Caricare la batteria ad una temperatura di 0 – 40°C. Una temperatura minore può provocare sovraccarico, il che è pericoloso. La batteria non può essere ricaricata ad una temperatura superiore ai 40°C. La temperatura ideale è compresa 20 – 25 gradi.
2. Quando un'operazione di caricatura è terminata, prima di iniziarne una seconda, lasciare che il caricatore riposi per 15 minuti. Non caricare più di due batterie consecutivamente.
3. Non permettere che sostanze estranee entrino nel foro di collegamento della batteria ricaricabile.

4. Non smontare mai la batteria ricaricabile e il caricatore.
5. Non provocare assolutamente mai dei corto-circuiti alla batteria ricaricabile. Il fenomeno provoca surriscaldamento e grande corrente elettrica. Può quindi causare bruciature o danni alla batteria.
6. Non gettare la batteria nel fuoco. Può esplodere.
7. Quando si fanno fori sulle pareti, pavimenti o soffitti, controllare che non ci siano cavi elettrici nascosti.
8. Non appena la vita della batteria dopo le operazioni di ricarica diventa troppo breve per fini pratici, si porti la batteria al negozio dove è stata acquistata. Non la si getti mai via.
9. Usando una batteria scarica, il caricatore può venir danneggiato.
10. Non inserire nessun oggetto nelle fessure di ventilazione del caricatore. Inserendo oggetti metallici o infiammabili nelle fessure di ventilazione, si possono causare facilmente delle scosse elettriche, o si può danneggiare il caricatore.
11. Per montare una punta o una trivella da trapano nel mandrino senza chiave, stringere il manicotto in maniera adeguata. Se il manicotto non è ben stretto, la punta o la trivella da trapano può scivolare o cadere, con il pericolo di lesioni alle persone.

CARATTERISTICHE

UTENSILE ELETTRICO

Modello		DS12DM	
Velocità a vuoto (Bassa/Alta)		0 – 350 / 0 – 1200min ⁻¹	
Capacità	Perforazione	Legno (Spessore 18mm)	27 mm
		Metallo (Spessore 1,6mm)	Acciaio: 13 mm, Alluminio: 13 mm
	Avvitamento	Vite di macchina	6 mm
		Vite per legno	6,8 mm (diametro) × 50 mm (lunghezza) (Questo è un foro preliminare)
Batterie rechargeable		EB1220BL: Ni-Cd 12 V (2,0 Ah, 10 celle) EB1230HL: Ni-MH 12 V (3,0 Ah, 10 celle)	
Peso		1,7 kg	

CARICATORE

Modello	UC14YFA
Votaggio di carica	7,2 – 14,4 V
Peso	0,6 kg

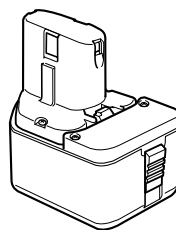
ACCESSORI STANDARD

DS12DM	① Cacciavite a croce (n.2)	1
	② Caricatore (UC14YFA)	1
	③ Custodia in plastica	1

Gli accessori standard possono essere cambiati senza preavviso.

ACCESSORI FACOLTATIVI (venduti a parte)

1. Batteria (EB1214L, EB1220BL, EB1222HL, EB1230HL)



Gli accessori disponibili a richiesta possono essere cambiati senza preavviso.

APPLICAZIONI

- Per stringere o togliere delle viti di macchina, delle viti per legno, delle viti mordenti etc.
- Per la foratura di metalli diversi.
- Per la foratura di legni diversi.

RIMOZIONE E INSTALLAZIONE DELLA BATTERIA

1. Smontaggio della batteria

Tenere saldamente l'impugnatura e spingere il fermo della batteria, in modo da smontarla (Ved. Fig. 1 e 2).

CAUTELA:

Non mettere la batteria in corto circuito.

2. Montaggio della batteria

Inserire la batteria facendo attenzione alla corretta collocazione delle polarità (Ved. Fig. 2).

RICARICA

Prima di usare il trapano avvitatore, caricare la batteria come indicato di seguito.

1. Collegare il cavo di alimentazione del caricatore a una presa CA.

Quando si collega la spina del caricatore ad una presa a muro, la spia lampeggia in rosso. (A intervalli di un secondo.)

2. Inserire la batteria nel caricabatterie
Inserire saldamente la batteria nel caricabatterie assicurandosi che venga in contatto con il fondo del caricabatterie. Rispettare la polarità come indicato in Fig. 3.

CAUTELA:

○ Se le pile sono inserite in direzione contaria non solo la carica diviene impassibile ma è possibile che si verifichino problemi nel caricabatterie come la deformazione del terminale di carica.

3. Carica

Quando si inserisce una batteria nel caricatore, la carica inizia e la spia si illumina stabilmente in rosso. Quando la batteria è completamente carica, la spia lampeggia in rosso. (A intervalli di un secondo.) (Vedere le **Tabella 1**)

(1) Indicazioni della spia

Le indicazioni della spia sono come indicato nella **tabella 1**, a seconda delle condizioni del caricabatterie o della batteria ricaricabile.

Tabella 1

Indicazioni della spia			
Prima della carica	Lampeggia (ROSSO)	Si illumina per 0,5 secondi. Non si illumina per 0,5 secondi. (Spento per 0,5 secondi)	/
Durante la carica	Si illumina (ROSSO)	Si illumina stabilmente	
Carica completa	Lampeggia (ROSSO)	Si illumina per 0,5 secondi. Non si illumina per 0,5 secondi. (Spento per 0,5 secondi)	
Carica impossibile	Lampeggia (ROSSO)	Si illumina per 0,1 secondi. Non si illumina per 0,1 secondi. (Spento per 0,1 secondi)	Malfunzionamento della batteria o del caricatore
Carica impossibile	Si illumina (VERDE)	Si illumina stabilmente	La temperatura della batteria è alta, rendendo la ricarica impossibile.

(2) Temperatura della batteria ricaricabile
Le temperature delle batterie ricaricabili sono come indicato nella tabella sotto. Consentire alle batterie che si sono riscaldate, di raffreddarsi prima ricaricarle.

Tabella 2 Gamma di temperature per la ricarica delle batterie

Batterie ricaricabili	Temperature di carica per le batterie
EB1214L, EB1220BL	-5°C - 60°C
EB1222HL, EB1230HL	0°C - 45°C

(3) Tempo di carica necessario
A seconda della combinazione di caricatore e batterie, il tempo di carica è come indicato nella **Tabella 3**

Tabella 3 Tempo di carica (a 20°C)

Batteria	Caricatore	UC14YFA
EB1214L		Circa. 40 min.
EB1220BL		Circa. 50 min.
EB1222HL		Circa. 55 min.
EB1230HL		Circa. 70 min.

NOTA:

Il tempo di carica può variare a seconda della temperatura e della tensione della fonte di alimentazione.

4. Scollegare il cavo di alimentazione del caricatore dalla presa CA.

5. Tenere saldamente il caricatore e estrarre la batteria.

NOTA:

Dopo l'uso, innanzitutto estrarre le batterie dal caricatore e quindi conservare correttamente le batterie.

Scarica nel caso di batterie nuove, ecc.

Poiché la sostanza chimica interna delle batterie nuove e delle batterie che non sono state usate per un lungo periodo di tempo non è attivata, la scarica esterna può essere abbassata quando le si usa per la prima e seconda volta. Questo è un fenomeno temporaneo e il tempo normale necessario per la carica viene ripristinato ricaricando la batteria per 2 o 3 volte.

Come mantenere più lunga la durata delle batterie.

(1) Ricaricare le batterie prima che si scarichino completamente.

Quando si sente che la potenza dell'attrezzo si indebolisce, interrompere l'uso e ricaricare la batteria. Se si continua l'uso e si finisce la corrente elettrica, la batteria può essere danneggiata e la sua durata abbreviarsi.

(2) Evitare di raggiungere alte temperature.

Una batteria ricaricabile si riscalda subito dopo l'uso. Se si ricarica una batteria subito dopo averla usata, la sostanza chimica interna viene deteriorata e la durata della batteria abbreviata. Consentire alla batteria di raffreddarsi per un po' e quindi ricaricarla.

CAUTELA:

○ Se la batteria viene caricata mentre è calda perché rimasta esposta a lungo ai raggi solari o perché immediatamente dopo l'uso della batteria, la spia pilota del caricatore può illuminarsi in verde. In questo caso, prima lasciar raffreddare la batteria e poi eseguire l'operazione di carica.

○ Quando la spia lampeggia velocemente in rosso (a intervalli di 0,2 secondi), controllare che non siano presenti oggetti estranei nel foro di installazione della batteria. Se non sono presenti oggetti estranei è probabile che la batteria od il caricatore non funzioni bene. Farla vedere a un Agente di manutenzione autorizzato.

○ Poiché il micro computer incorporato impiega circa 3 secondi per confermare che la batteria caricata con UC14YFA è stata espulsa, aspettare almeno 3 secondi prima di reinserirla per continuare il caricamento.

Se la batteria viene reinserita entro 3 secondi, essa può non essere caricata in modo appropriato.

PRIMA DI INIZIARE LE OPERAZIONI

1. Stabilire e controllare l'ambiente di lavoro

Controllare che l'ambiente di lavoro sia adatto seguendo le necessarie precauzioni.

OPERAZIONE

1. Verificare la posizione della ghiera della frizione (Ved. Fig. 5).

La coppia di serraggio dell'utensile può essere impostata spostando la ghiera della frizione nella posizione appropriata.

(1) Per utilizzare l'utensile come avvitatore, allineare uno dei numeri "1, 3, 5 ... 22" o uno dei punti sulla ghiera della frizione con il triangolo presente sul corpo dell'utensile.

(2) Per utilizzare l'utensile come trapano, allineare il simbolo del trapano "▲▼" sulla ghiera con il triangolo presente sul corpo dell'utensile.

CAUTELA:

○ Per evitare possibili danni all'utensile

La ghiera della frizione non deve essere mai collocata su posizioni intermedie tra i numeri "1, 3, 5 ... 22" o fra i punti.

○ Non utilizzare l'utensile con la ghiera della frizione situata in posizione intermedia tra il numero "22" e la linea al centro del simbolo del trapano. Questo può causare danni. (Vedere la Fig. 6)

2. Regolazione della coppia di serraggio

(1) Coppia di serraggio

La coppia di serraggio deve essere regolata in corrispondenza del diametro della vite. Se la forza di serraggio è troppo elevata, la vite si può rompere o la testa ne può risultare danneggiata. Assicurarsi di posizionare la ghiera della frizione nella posizione appropriata per il diametro delle viti utilizzate.

(2) Indicazione della coppia di serraggio

La coppia di serraggio necessaria varia a seconda del tipo di vite e del materiale su cui si lavora. L'utensile indica la coppia di serraggio impostata mediante una scala numerata "1, 3, 5 ... 22" e punti sulla ghiera della frizione. Con la ghiera in posizione 1, verrà applicata la coppia di serraggio minore. Con la ghiera in posizione 22 verrà applicata la coppia di serraggio massima (Vedere la Fig. 6).

(3) Regolazione della coppia di serraggio.

Ruotare la ghiera della frizione per allineare il numero desiderato della scala "1, 3, 5 ... 22" o i punti con il triangolo di riferimento sul corpo dell'utensile. Selezionare la coppia di serraggio necessaria ruotando la ghiera fra i valori minimo e massimo.

CAUTELA:

○ La rotazione del motore può essere bloccata, quando si usa l'utensile come trapano.

Usando il trapano avvitatore, fare attenzione a non bloccare il motore.

○ Facendo lavorare a percussione l'utensile durante un tempo troppo prolungato, è possibile che la vite si rompa.

3. Cambio della velocità di rotazione

Usare la manopola d'intercambio per cambiare la velocità di rotazione. Premere il pulsante di blocco per liberare e spostare la manopola d'intercambio in direzione della freccia (Ved. Figs. 6 e 7).

Quando la manopola d'intercambio è portata su "LOW" il trapano ruota a bassa velocità. Su "HIGH" il trapano ruota ad alta velocità.

CAUTELA:

- Quando si cambia la velocità di rotazione con la manopola d'intercambio, assicurarsi che l'interruttore sia spento e che la manopola di selezione sia in posizione "0" (OFF).
Se si cambia la velocità con il motore in moto si causeranno danni agli ingranaggi.
- Se si cerca di posizionare il selettore velocità su "HIGH" (alta velocità) con la ghiera frizione sulle posizioni fra "17" e "22", può accadere che la

frizione non si innesti e il motore si blocchi. In questo caso spostare il selettore velocità su "LOW" (bassa velocità).

- Se il motore si blocca, togliere immediatamente la corrente.

Se il motore si blocca per qualche attimo, il motore o la batteria possono essere bruciati.

4. Suggerimenti e limite d'uso




Nella **tabella 4** seguente sono indicati i limiti d'uso per i vari tipi di lavoro con questo utensile:

Tabella 4

Lavoro		Suggerimenti
Forature	Legno	Uso dell'utensile per forare.
	Acciaio	
	Alluminio	
Serraggio di viti	Viti per macchine	Usare punta o chiave adatte per il diametro della vite.
	Viti per legno	Usare solo dopo aver eseguito un foro di preparazione.

5. Scelta della coppia di serraggio e della frequenza di rotazione

Tabella 5

Uso		Posizione del tappo	Selezione della velocità di rotazione (Posizione della manopola di selezione)	
			LOW (bassa velocità)	HIGH (alta velocità)
Serraggio di viti	Viti di macchina	1 - 22	Per viti da 4 mm diametro o meno.	Per viti da 6 mm diametro o meno.
	Viti per legno	1 - 	Per viti da 6,8 mm diametro nominale o meno.	Per viti da 3,8 mm diametro nominale o meno.
Foratura	Legno		Per diametri da 27 mm o meno.	Per diametri da 18 mm o meno.
	Metallo		Per foratura con punta per il ferro.	_____

CAUTELA:

- Gli esempi di cui alla **Tabella 5** sono da considerarsi come indicativi. I diversi tipi di viti e di materiale usati in pratica rendono necessari degli aggiustamenti dei valori dati.
- Quando si usa una punta con una vite di macchina ad alta velocità (HIGH), si può danneggiare una vite o si può allentare la punta a causa del fissaggio troppo forte. Usare la punta a bassa velocità (LOW) quando si impiega una vite di macchina.

NOTA:

In caso di utilizzo delle batterie EB1222HL e EB1230HL in condizioni di bassa temperatura ambiente (inferiore a 0 °C), è possibile che la coppia di serraggio ottenibile risulti inferiore al normale e che il funzionamento dell'utensile sia ridotto. Questo fenomeno è temporaneo e si risolverà non appena la batteria raggiunge la temperatura di lavoro ottimale.

6. Uso del gancio

Il gancio può essere installato sul lato destro o sinistro e l'angolazione può essere regolata in 5 scatti tra 0° e 80°.

(1) Uso del gancio

- (a) Estrarre il gancio verso di sé in direzione della freccia (A) e girarlo in direzione della freccia (B). (**Fig. 8**)
- (b) L'angolazione può essere regolata in 5 scatti (0°, 20°, 40°, 60°, 80°). Regolare l'angolazione del gancio sulla posizione desiderata per l'uso.

(2) Cambiamento della posizione del gancio

CAUTELA:

Un'installazione incompleta del gancio può causare ferite durante l'uso.

- (a) Trattenere saldamente l'unità principale e rimuovere la vite con un cacciavite a lama piatta o una moneta. (**Fig. 9**)
- (b) Rimuovere il gancio e la molla. (**Fig. 10**)
- (c) Installare il gancio e la molla sull'altro lato e fissare saldamente con la vite. (**Fig. 11**)

NOTA:

Fare attenzione all'orientamento della molla. Installare la molla con il diametro più grande lontano da sé. (**Fig. 11**)

(3) Uso del portatesta

- Installazione della testa
Far scorrere la testa dal lato nella direzione della **Fig. 12** e quindi inserire saldamente fino a che la scanalatura della testa si blocca nella sezione sporgente del gancio.
- Rimozione della testa
Trattenere saldamente l'unità principale e tirare fuori la testa trattenendone l'estremità con il pollice. (**Fig. 13**)

CAUTELA:

- La testa può staccarsi dal gancio e causare ferite quando si inverte la direzione della testa come indicato nella **Fig. 12** o quando si usa l'avvitatore con la testa inserita in modo incompleto.
- Possono essere usati solo ACCESSORI OPZIONALI Hitachi e teste avvitatrici (testa n.2; n. codice 992671, testa n.3; n. codice 992672). Non usare altre teste perché possono staccarsi.

7. Montaggio e smontaggio della punta**(1) Montaggio della punta**

- Allentare il collare girandolo verso sinistra (in senso antiorario visto da davanti) per aprire il fermaglio del mandrino senza chiave. Dopo aver inserito la punta cacciavite, ecc. nel mandrino senza chiave, serrare il collare girandolo verso destra (in senso orario visto dal davanti). (Vedere la **Fig. 14**)
- Se il collare si allenta durante l'impiego, serrarlo più strettamente.
La forza di serraggio aumenta se si serra ulteriormente il collare.

(2) Smontaggio della punta

- Allentare il collare girandolo verso sinistra (in senso antiorario visto da davanti) e quindi estrarre la punta, ecc. (Vedere la **Fig. 14**)

NOTA:

- Se il collare viene serrato in un stato in cui il fermaglio del mandrino senza chiave è aperto al limite massimo, si può sentire uno scatto. Questo rumore si verifica quando l'allentamento del mandrino senza chiave è ostacolato e non è indice di guasti.

CAUTELA:

- Quando non è possibile svitare il collare, stringere l'attrezzo inserito in una morsa, ecc., regolare il modo frizione su 1-11 e girare il collare in senso antiorario usando la frizione.

8. Meccanismo di blocco automatico dell'alberino

- Questo utensile è dotato di meccanismo di blocco automatico dell'alberino per permettere rapidi cambi di punta.

9. Assicurarsi che la batteria sia montata in modo corretto.**10. Controllare la direzione della rotazione**

- La punta gira in senso orario (come visto dal retro) se si preme la parte di destra R del selettore. Per far girare la punta in senso antiorario premere la parte sinistra L del selettore. (Vedere **Fig. 15**) I contrassegni (L) ed (R) sono apporati sul corpo dell'attrezzo.

11. Funzionamento dell'interruttore

- Premendo il grilletto interruttore, l'utensile si mette in movimento.
Lasciando andare il grilletto, il motore si ferma.

- La velocità di rotazione del trapano può essere dell'interruttore viene premuto. La velocità è bassa quando il grilletto dell'interruttore viene premuto leggermente, e aumenta a mano a mano che l'interruttore viene premuto maggiormente.

NOTA:

- Prima di cominciare a ruotare, il motore produce un ronzio. Tale rumore non è indice di cattivo funzionamento delle macchine.

MANUTENZIONE ED ISPEZIONE**1. Ispezione dell'utensile**

Poiché condizioni imperfette causano un abbassamento dell'efficienza e possibili malfunzioni all'attrezzo, affilare o sostituire l'utensile quando si notano segni di abrasione.

2. Ispezione delle viti di montaggio

Ispezionare regolarmente le viti di montaggio e assicurarsi che siano ben fissate. Se una di queste dovesse essere allentata, riserrarla immediatamente. Si rischia in caso contrario di provocare incidenti pericolosi.

3. Manutenzione del motore

L'avvolgimento del motore il vero e proprio "cuore" degli atezzi elettrici. Fare attenzione a non danneggiare l'avvolgimento e/o non bagnarlo con olio o acqua.

4. Controllo delle spazzole di carbone (Fig. 16)

Il motore impiega spazzole di carbone che sono materiali di consumo. Poiché una spazzola di carbone troppo usurata può creare fastidi al motore, sostituire le spazzole di carbone con altre nuove quando diventano logore o vicine al "limite usura". Inoltre tenere sempre pulite le spazzole e assicurarsi che scorrano liberamente nei portaspazzola.

NOTA:

Quando si sostituisce la spazzola di carbone con un'altra nuova, assicurarsi di usare la spazzola di carbone Hitachi a numero di codice 999054.

5. Sostituzione di una spazzola di carbone

Estrarre la spazzola di carbone rimuovendo prima il coperchio spazzola e quindi agganciando la sporgenza della spazzola di carbone con un cacciavite a lama piatta, ecc. come mostrato nella **Fig. 18**. Quando si installa la spazzola di carbone, orientarla in modo che il chiodo della spazzola di carbone corrisponda alla parte di contatto al di fuori del tubo spazzola. Quindi spingerla in dentro con un dito come mostrato nella **Fig. 19**. Infine installare il coperchio spazzola.

CAUTELA:

Essere assolutamente sicuri di aver inserito il chiodo della spazzola di carbone nella parte di contatto al di fuori del tubo spazzola. (Si può inserire uno qualsiasi dei due chiodi forniti.)

Fare attenzione perché qualsiasi errore in questa operazione può risultare in deformazioni del chiodo della spazzola di carbone e può creare problemi al motore anticipatamente.

6. Pulizia della carcassa dell'utensile

Se il trapano-avvitatore è sporco, pulirlo con uno staccio soffice, inumidito di acqua e sapone. Non usare solventi cloridici, benzina o diluenti per benzina, in quanto potrebbero deformare la plastica.

7. Conservazione

Conservare il trapano-avvitatore ad una temperatura inferiore ai 40°C e non a portata di mano di bambini.

8. Lista dei pezzi di ricambio

- A : N. voce
- B : N. codice
- C : N. uso
- D : Note

CAUTELA:

Riparazioni, modifiche e ispezioni di utensili elettrici Hitachi devono essere eseguite da un centro assistenza Hitachi autorizzato.

Questa lista dei pezzi torna utile se viene presentata con l'utensile al centro assistenza Hitachi autorizzato quando si richiedono riparazioni o altri interventi di manutenzione.

Nell'uso e nella manutenzione degli utensili elettrici devono essere osservate le normative di sicurezza e i criteri prescritti in ciascun paese.

MODIFICHE:

Gli utensili elettrici Hitachi vengono continuamente migliorati e modificati per includere le più recenti innovazioni tecnologiche.

Di conseguenza, alcuni pezzi (p.es. numero di codice e/o design) possono essere modificati senza preavviso.

NOTA:

A causa del continuo programma di ricerche e sviluppo della HITACHI, le caratteristiche riportate in questo foglio sono soggette a cambiamenti senza preventiva comunicazione.

Informazioni riguardanti i rumori trasmessi dall'aria e le vibrazioni

I valori misurati sono stati determinati in conformità a EN50144.

Il livello di pressione sonora pesato A tipico è di 70 dB (A).

Indossare protezioni per le orecchie.

Il valore efficace pesato tipico dell'accelerazione è di 2,0 m/s².

ALGEMENE VOORZORGSMAATREGELEN

1. De plaats waar gewerkt wordt schoonhouden. Niet opgeruimde werkplaatsen en werkbanken verhogen het gevaar van ongelukken.
2. Voorkom gevaarlijke situaties. Stel het apparaat niet bloot aan regen of overmatige vochtigheid. Gebruik het apparaat niet op plaatsen die overmatig dampig zijn.
Zorg voor goede verlichting tijdens de werkzaamheden.
Gebruik de boor en de acculader niet in de buurt van brandbare of explosieve materialen.
Voorkom gebruik van de boor en acculader in de buurt van brandbare vloeistoffen of gassen.
3. Het gereedschap is niet geschikt voor gebruik door kinderen of onbevoegden zonder toezicht. Kinderen dienen onder toezicht gehouden te worden en mogen in geen geval in de gelegenheid komen met het gereedschap te spelen. Bezoekers dienen een veilige afstand te bewaren tot de werkplek.
4. Onbenodigd gereedschap en de acculader opruimen. Wanneer het gereedschap en de acculader niet gebruikt worden, dienen deze op een hoggelegen of af te sluiten plaats bereik van kinderen en onbevoegden te worden opgeborgen. Het toestel en de acculader dienen op een plaats te worden opgeborgen waar de temperatuur onder de 40°C is.
5. Forceer het gereedschap niet. Bij normale draaisnelheden levert het apparaat de beste prestaties.
6. Gebruik het juiste gereedschap. Een klein hulpstuk niet gebruiken voor werkzaamheden waarvoor een groot vermogen vereist is.
7. Draag de juiste kleding. Geen loshangende kleding of sierraden dragen, die vast kunnen raken in bewegende delen. Rubberhandschoenen en schoeisel zijn aanbevolen wanneer buiten gewerkt wordt.
8. Gebruik van een veiligheidsbril is aanbevolen. Ook een stofmasker of gezichtsbescherming is aan te raden, vooral wanneer de werkzaamheden stof veroorzaken.
9. Wees voorzichtig met het snoer van de acculader. Het toestel nooit aan het snoer dragen, en aan het snoertrekkend uit het stopcontact verwijderen. Bescherm het snoer tegen hitte, olie en scherpe voorwerpen.
10. Veilig werken. Gebruik klemmen of een bankschroef om het werkstuk vast te zetten. Op deze wijze heeft u beide handen vrij om het gereedschap te bedienen.
11. Buig niet te ver naar voren. Zorg er steeds voor een goede houding om het evenwicht te bewaren.
12. Het gereedschap zorgvuldig onderhouden. Houd de boren scherp en schoon zodat een goed prestatievermogen mogelijk is. Raadpleeg de gebruiksaanwijzing voor smering en verwisselen van de hulpstukken.
13. Wanneer de acculader niet gebruikt wordt of gerepareerd wordt, dient de stekker uit het stopcontact verwijderd te worden.
14. Verwijder moersleutels en andere sleutels. Maak er een gewoonte van om alle sleutels te verwijderen voordat het apparaat aangezet wordt.
15. Onverwacht inschakelen vermijden. Draag het toestel niet met de vinger aan de schakelaar.
16. Gebruik uitsluitend de bijbehorende acculader. Gebruik geen andere acculaders om gevaar te voorkomen.
17. Alleen gebruik maken van originele Hitachi onderdelen.
18. Gebruik de boor en de acculader uitsluitend voor doeleinden die in deze gebruiksaanwijzing beschreven zijn.
19. Het gebruik van accessoires en toebehoren anders dan in deze gebruiksaanwijzing of in de HITACHI katalogus beschreven zijn, verhoogt het risico op lichamelijk letsel.
20. Reparaties mogen alleen uitgevoerd worden door een geautoriseerde service dienst. De fabrikant is niet aansprakelijk voor schade en/of letsel veroorzaakt door reparatie uitgevoerd door ongeautoriseerde service diensten en/of verkeerd gebruik van het gereedschap.
21. Verwijder geen schroeven of andere onderdelen van de boor en de acculader om de integriteit van het ontwerp te verzekeren.
22. Gebruik de acculader met het voltage dat op het naamplaatje is aangegeven.
23. Voorkom aanraking van bewegende delen, tenzij de spanning uitgeschakeld is.
24. Laad de batterij altijd op voordat het toestel gebruikt wordt.
25. Gebruik uitsluitend de voorgeschreven batterij. Gebruik geen normale droge-cel batterij, een oplaadbare of auto-batterij voor de boor.
26. Maak geen gebruik van een transformator met een spanningsverhoger.
27. Laad de batterij niet op met de wisselstroomdynamo van de auto of met gelijkstroom.
28. De batterij alleen binnenshuis opladen. De acculader en batterij worden warm tijdens het opladen, dus vermijd direct zonlicht; zorg voor goede ventilatie.
29. Wanneer op een hoge plaats gewerkt wordt, dient voorzichtigheid in acht genomen te worden. Zorg dat er geen mensen onder u staan.
30. De onderdeelentekening in deze handleiding is uitsluitend bestemd voor de geautoriseerde service dienst.
31. Als het stroomsnoer is beschadigd, dient u dit door de fabrikant of een van zijn officiële servicemonteurs, of door een andere vakbekwame persoon te laten vervangen om een gevaarlijke situatie te voorkomen.

VOORZORGSMAATREGELEN VOOR SNOERLOZE BOOR-SCHROEFMACHINE

1. Laad de accu bij een temperatuur van 0 – 40°C. Een temperatuur van onder 0°C kan overlading veroorzaken, hetgeen gevaarlijk kan zijn. de accu kan niet bij een temperatuur van boven de 40°C geladen worden.
De meest geschikte temperatuur is tussen de 20 – 25°C.

- Wacht ongeveer 15 minuten voordat met het laden van een andere batterij begonnen wordt. Laad niet meer dan twee accu's achterelkaar op.
- Voorkom dat stof of vuil in de aansluitopening van de accutrecht komt.
- Demonteer de oplaadbare batterij of acculader niet.
- Voorkom kortsluiting van de oplaadbare batterij. Kortsluiting kan resulteren in oververhitting. Dit kan schade of brandgevaar opleveren.
- Gooi de batterij niet in het vuur. Een brandende batterij kan ontploffen.
- Kontroleer of er geen elektrische bedrading achter de muur, het plafond of de vloer is, voordat met het boren begonnen wordt.
- Breng de batterij naar de dealer waar deze gekocht werd, nadat deze na oplading onvoldoende kracht heeft voor praktisch gebruik. Gooi een ultgewerkte batterij niet weg.
- Het gebruik van een uitgeputte batterij zal de acculader beschadigen.
- Steek nooit een voorwerp in de ventilatie-openingen van de acculader. Als een voorwerp of ontylambaar materiaal in de ventilatie-openingen van de acculader wordt gestoken, kan dit resulteren in een elektrische schok of beschadiging aan de acculader.
- Bij het monteren van de boor of houtboor in de sleutellose boorkop dient u de spanbus stevig vast te zetten. Als de spanbus niet stevig vastzit, kan

TECHNISCHE GEGEVENS

BOORMACHINE

Model		DS12DM	
Onbelaste snelheid (Laage/Hoge)		0 – 350 / 0 – 1200min ⁻¹	
Capaciteit	Boren	Hout (Dikte 18mm)	27 mm
		Metaal (Dikte 1,6mm)	Staal: 13 mm, Aluminum: 13 mm
	Drijven	Kolomschroef	6 mm
		Houtschroef	6,8 mm (diameter) × 50 mm (lengte) (bij voorgeboord schroefgat)
Oplaadbare batterij		EB1220BL: Ni-Cd 12 V (2,0 Ah, 10 cellen) EB1230HL: Ni-MH 12 V (3,0 Ah, 10 cellen)	
Gewicht		1,7 kg	

ACCULADER

Model	UC14YFA
Oplaadspanning	7,2 – 14,4V
Gewicht	0,6 kg

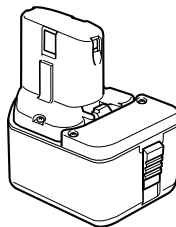
STANDAARD TOEBEHOREN

DS12DM	① Kruiskopdrijver (Nr.2)	1
	② Acculader (UC14YFA)	1
	③ Plastic doos	1

De standaard toebehoren kunnen zonder nadere aankondiging gewijzigd worden.

EXTRA TOEBEHOREN (los verkrijgbaar)

- Batterij (EB1214L, EB1220BL, EB1222HL, EB1230HL)



De extra toebehoren kunnen zonder nadere aankondiging gewijzigd worden.

TOEPASSINGEN

- Indraaien en uitdraaien van machineschroeven, houtschroeven, tapbouten, etc.
- Boren van verschillende metalen.
- Boren van verschillende houtsoorten.

INLEGGEN EN UITNEMEN VAN DE BATTERIJ

1. Verwijderen van de batterij

Houd de handgreep goed vast en druk tegen de accvergrensling om de batterij te verwijderen. (Zie **Afb. 1** en **2**.)

LET OP:

Sluit de batterij nooit kort.

2. Aanbrengen van de batterij

Plaats de batterij met de polen juist aangebracht (Zie **Afb. 2**).

OPLADEN

Voor het gebruik van de boor-schroefmachine dient de accu als volgt opgeladen te worden.

1. Sluit het netsnoer van het oplaadapparaat op het stopcontact aan.

Wanneer de stekker van de acculader in het stopcontact wordt gestoken, zal het controlelampje in rood knipperen. (met tusserpozen van 1 seconde).

2. Steek de batterij in de oplader.
Steek de batterij stevig in de oplader, totdat deze de bodem daarvan raakt, terwijl u op de polariteit (+) en (-) let zoals aangegeven op **Afb. 3**.

LET OP:

- Zorg dat de batterij in de juiste richting van plus en min wordt geplaatst. Opladen zal anders niet mogelijk zijn en daarbij zou u bijvoorbeeld de aansluitpunten van de lader kunnen beschadigen.

3. Opladen





Wanneer een batterij in de acculader wordt aangebracht, blijft het controlelampje continu rood branden.

Wanneer de batterij volledig is opgeladen, gaat het controlelampje in rood knipperen. (met tussenpozen van 1 seconde) (Zie **Tabel 1**).

(1) Aanduiding van de controlelampje

De aanduidingen van het controlelampje zijn zoals aangegeven in **tabel 1**, al naar gelang de toestand van de oplaadbare batterij of het acculader.

Tabel 1

Aanduidingen van het controlelampje			
Voor het laden	Knippert (ROOD)	Brandt ongeveer 0,5 seconde. Brandt ongeveer 0,5 seconde niet. (Uit voor 0,5 seconde) 	/
Tijdens opladen	Brandt (ROOD)	Blijft branden 	
Na opladen	Knippert (ROOD)	Brandt ongeveer 0,5 seconde. Brandt ongeveer 0,5 seconde niet. (Uit voor 0,5 seconde) 	
Opladen onmogelijk	Knippert (ROOD)	Brandt ongeveer 0,1 seconde. Brandt ongeveer 0,1 seconde niet. (Uit voor 0,1 seconde) 	Er is iets mis met de accu of met het oplaad-apparaat.
Opladen onmogelijk	Brandt (GROEN)	Blijft branden 	De temperatuur van de accu is te hoog, waardoor het opladen onmogelijk is.

(2) Btoreffende de temperatuur van de oplaadbare batterij

De temperatuur van oplaadbare batterijen verloopt zoals aangegeven in de onderstaande tabel; batterijen die erg warm zijn dient u voor het opladen even af te laten koelen.

Tabel 2 Temperatuur voor opladen van baterijen

Oplaadbare batterijen	Geschikte temperatuur voor het opladen
EB1214L, EB1220BL	-5°C – 60°C
EB1222HL, EB1230HL	0°C – 45°C

(3) Tijd die benodigd is voor het opladen

De oplaadtijden in de onderstaande **Tabel 3** zijn afhankelijk van de combinatie van acculader en batterij.

Tabel 3 Oplaadtijden (bij 20°C)

Batterij \ Acculader	UC14YFA
EB1214L	Circa. 40 min.
EB1220BL	Circa. 50 min.
EB1222HL	Circa. 55 min.
EB1230HL	Circa. 70 min.

OPMERKING:

De tijd voor het opladen verschilt afhankelijk van de omgevingstemperatuur en het spanningsvoltage.

4. Trek de stekker van het oplaadapparaat uit het stopcontact.
5. Houd het oplaadapparaat stevig vast en trek de batterij er uit.

OPMERKING:

Verwijder na gebruik eerst de batterijen uit de lader en bewaar de batterijen op de juiste manier.

Betreffende het ontladen raken van nieuwe batterij e.d.

Aangezien bij nieuwe en langdurig niet gebruikte batterij de chemische activiteit is teruggelopen, zal de stroomopbrengst bij het eerste en tweede gebruik slechts gering zijn. Dit is een tijdelijk verschijnsel; de normale oplaadtijd kan hersteld worden door de accu 2 à 3 maal bij kamer-temperatuur op te laden.

Om langdurig gebruik van de batterij te bevorderen.

- (1) Laad batterij op vóórdat ze volledig uitgeput zijn. Merk u dat de gevoede apparatuur minder krachtig gaat werken, onderbreek dan het gebruik en laad de batterij op. Als u apparatuur op batterijvoeding te lang blijft gebruiken, kan dit leiden tot teruglopen van de batterijwerking en eventueel zelfs beschadiging ervan.
- (2) Verricht het opladen niet bij hoge temperatuur. Een oplaadbare batterij zal onmiddellijk na gebruik gewoonlijk erg warm zijn. Als u een dergelijke batterij onmiddellijk gaat opladen, zal de chemische balans in het inwendige verstoord worden en zal de levensduur van de batterij afnemen. Laat de batterij daarom even afkoelen, voor u met opladen begint.

LET OP:

- Als wordt geprobeerd de batterij op te laden terwijl deze te warm is geworden door langdurige blootstelling aan direct zonlicht of onmiddellijk na gebruik van de batterij, is het mogelijk dat het controlelampje van de acculader groen oplicht. Mocht dit zich voordoen, laat de batterij dan eerst even afkoelen alvorens u deze oplaadt.
- Wanneer het controlelampje snel in rood knippert (vijfmaal per seconde), neem de batterij dan uit het oplaadapparaat en controleer de opening van de laatste dan op de aanwezigheid van een voorwerp dat er niet hoort. Is er geen voorwerp in de opening aanwezig, dan is de storing waarschijnlijk te wijten aan de oplaadbare batterij of het oplaadapparaat. Laat deze dan controleren door een bevoegde onderhoudsinstantie.
- Aanzien de ingebouwde micoprocessor van de UC14YFA een drietal seconden nodig heeft om te reageren op het loskoppelen van de batterij, dient u minimaal drie seconden te wachten voordat u de batterij weer aansluit om het laden te vervolgen. Als de batterij binnen de drie seconden wordt aangesloten, bestaat de kans dat deze niet goed wordt opgeladen.

VOOR HET GEBRUIK

1. Gereedmaken en controleren van de werkplaats

Kontroleer of de werkplaats geschikt is door nauwkeurig de genormde voorzorgsmaatregelen op te volgen.

BEDIENING

1. Controleer de stand van de koppelingsinstelling. (Zie Afb. 5)

Het aantrekkoppel wordt ingesteld aan de hand van de stand van deze koppelingsinstelling.

- (1) Bij gebruik van deze machine als schroevendraaier plaatst u één van de nummers "1, 3, 5 ... 22" op de koppelingsinstelling, of een stip, tegenover het driehoekje op de machine.
- (2) Bij gebruik van deze machine als boor plaatst u de boor-markering "▲" op de koppelingsinstelling tegenover het driehoekje.

LET OP:

- De koppelingsinstelling mag niet in een stand worden gezet tussen de nummers "1, 3, 5 ... 22" of de stippen in.
- Gebruik de machine niet met de koppelingsinstelling tussen "22" en het streepje in het midden van de boor-markering. Dit kan resulteren in beschadiging. (Zie Afb. 6)

2. Afstelling van het aantrekkoppel

(1) Aantrekkoppel

Instelling van het aantrekkoppel van de boor dient te gebeuren op basis van de schroefdiameter. Wanneer te veel kracht bij het aandraaien gebruikt wordt, zal de schroef beschadigd en misschien onbruikbaar worden. Plaats de koppelingsinstelling in een stand die geschikt is voor de diameter van het soort schroef in gebruik.

(2) Aanduiding van het aantrekkoppel

Het aantrekkoppel verschilt afhankelijk van het type schroef en het soort materiaal dat wordt vastgezet. De machine geeft het aantrekkoppel aan met nummers "1, 3, 5 ... 22" op de koppelingsinstelling en stippen. Het aantrekkoppel bij stand "1" is het kleinste en het koppel wordt groter naarmate het nummer oploopt. (Zie Afb. 6)

(3) Instellen van het aantrekkoppel

Draai de koppelingsinstelling rond en plaats de nummers "1, 3, 5 ... 22" op de kap, of de stippen, tegenover het driehoekje op de machine. Draai de koppelingsinstelling in de richting van een zwakker of sterker aantrekkoppel overeenkomstig het koppel dat u nodig heeft.

LET OP:

- Het kan voorkomen dat de motor stopt wanneer het apparaat als een drill gebruikt wordt. Zorg ervoor dat de boor schroef-machine niet vast loopt tijdens gebruik.
- Wanneer te lang gedraaid wordt kan de schroef breken.

3. Veranderen van de draaisnelheid

Gebruik de toerenschakelaar om de draaisnelheid te veranderen. Druk op de vergrendeltoets en schuif de toerenschakelaar in de richting van de pijl (Zie Afb. 6 en 7). Door de toerenschakelaar op "LOW" te zetten, draait de boor met lage snelheid. Wanneer de toets "HIGH" gezet wordt, draait de boor op hoge snelheid.

LET OP:

- Wanneer de draaisnelheid met de toerenschakelaar veranderd wordt, dient de schakelaar uitgezet te worden, en de keuzeschakelaar dient op "O" (OFF) gezet te worden.
De motor wordt beschadigd wanneer de draaisnelheid veranderd wordt tijdens het draaien van de motor.
- Als u de toerenschakelaar op "HIGH" (hoog toerental) zet, terwijl de koppelingsinstelling op "17" of "22" staat, kan het gebeuren dat de koppeling

doorslipt en dat de motor vast komt te staan. Zet in dat geval de toerenschakelaar op "LOW" (laag toerental).

- Schakel de netspanning onmiddellijk uit wanneer de motor vast loopt. Dit om te voorkomen dat de motor of accu beschadigd wordt.



4. Manieren en suggesties voor gebruik

De volgende **tabel 4** geeft aanwijzingen voor gebruik onder verschillende omstandigheden en manieren waarop het apparaat gebruikt kan worden.

Tabel 4

Werk		Suggesties
Boren	Hout	Gebruik een boor en dopsleutel die met de diameter van de schroef overeenkomen.
	Staal	
	Aluminium	
Drijven	Kolomschroef	Bohrespitze of Hülse dem Schraubendurchschnitt verwenden.
	Houtschroef	Gebruik na het voorboren van gat.

5. Scelta della coppia di serraggio e della frequenza di rotazione**Tabel 5**

Toepassing		Kapstand	Kiezen van het toerental (kapstand)	
			LOW (laag toerental)	HIGH (hoog toerental)
Drijven	Kolomschroef	1 - 22	Voor schroeven met een diameter van 4 mm of minder.	Voor schroeven met een diameter van 6 mm of minder.
	Houtschroef	1 - 	Voor schroeven met een nominale diameter van 6,8 mm of minder.	Voor schroeven met een nominale diameter van 3,8 mm of minder.
Boren	Hout		Voor diameters van 27 mm of minder.	Voor diameters van 18 mm of minder.
	Metaal		Voor boren met een staalboor.	_____

LET OP:

- Bovenstaande voorbeelden in **Tabel 5** kunnen als standaard gezien worden voor de verschillende types schroeven en materialen, alhoewel verschillende schroeven en materialen gebruikt worden in de praktijk. Voor verschillende types dient het juiste draaikoppel te worden gekozen.
- Als u de boor gebruikt om een schroef met een vierkante of zeskantige kop in te schroeven, gebruik dan geen hoog toerental (HIGH). Dit zou kunnen leiden tot beschadiging van de schroefkop of van het bitje, daar het aandraaikoppel te groot is. Gebruik de boor met het lage toerental ingeschakeld (LOW).

OPMERKING:

Het gebruik van de EB1222HL en EB1230HL batterij bij lage temperaturen (onder nul) kan soms een zwakker aantrekkoppel en slechtere werking van het gereedschap tot gevolg hebben. Dit is slechts tijdelijk en het gereedschap zal weer normaal werken wanneer de batterij weer op normale temperatuur is.

6. Gebruik van de haak

De haak kan worden bevestigd aan de linkerkant of aan de rechterkant en de hoek waaronder deze is bevestigd kan in 5 stappen worden ingesteld tussen 0° en 80°.

- (1) Gebruik van de haak
 - (a) Trek de haak naar u toe in de richting van pijl (A) en verdraai deze vervolgens in de richting van pijl (B). (**Afb. 8**)
 - (b) De hoek kan worden ingesteld in 5 stappen (0°, 20°, 40°, 60°, 80°).
- (2) Overbrengen van de haak naar de andere kant

LET OP:

Onvolledige bevestiging van de haak kan in het gebruik leiden tot lichamelijk letsel.

- (a) Houd de machine stevig vast en verwijder de schroef met een schroevendraaier of een munt. (**Afb. 9**)
- (b) Verwijder de haak en de veer. (**Afb. 10**)
- (c) Bevestig de haak en de veer aan de andere kant en zet ze stevig vast met de schroef. (**Afb. 11**)

OPMERKING:

Let op de richting van de veer. Bevestig de veer met de grotere diameter van u af wijzend. (Afb. 11)

(3) Gebruik van de bithouder

- Bevestigen van een bitje
Schuif het bitje van opzij in de richting van Afb. 12 en steek het vervolgens in tot de groef op het bitje vergrendelt in het uitstekende gedeelte van de haak.

- Verwijderen van een bitje
Houd de machine stevig vast en trek het bitje eruit terwijl u de punt met uw duim vasthoudt. (Afb. 13)

LET OP:

- Het bitje kan los komen van de haak en lichamelijk letsel veroorzaken wanneer u het in de verkeerde richting plaatst, zoals aangegeven in Afb. 12, of wanneer de machine gebruikt wordt terwijl het bitje niet goed opgeborgen is.
- Uitsluitend Hitachi OPTIONELE ACCESSOIRES plus bitjes (Bit nr. 2; codenummer 992671, Bit nr. 3; codenummer 992672) kunnen op deze manier worden gebruikt. Gebruik geen andere bitjes, want deze kunnen los raken.

7. Aanbrengen en verwijderen van het inzetstuk

- (1) Bevestigen van het bitje
Draai de mof los naar links (tegen de klok in van voren gezien) om de klem van de sleutelloze boorkop te openen. Doe een schroevendraaierbitje enz. in de sleutelloze boorkop en draai de mof weer vast naar rechts (met de klok mee van voren gezien). (Zie Afb. 14)
- Als de mof losraakt terwijl u aan het werk bent, dient u deze weer vast te draaien. Draai de mof extra aan om deze zo vast mogelijk te zetten.
- (2) Verwijderen van het bitje
Draai de mof los naar links (tegen de klok in van voren gezien) en verwijder het bitje enz. (Zie Afb. 14)

OPMERKING:

Als de mof wordt verdraaid terwijl de klem van de sleutelloze boorkop helemaal open staat, kan er een klikkend geluid veroorzaakt worden. Dit geluid wordt veroorzaakt door de beveiliging tegen het losdraaien van de sleutelloze boorkop en duidt niet op een storing.

LET OP:

- Wanneer de klembus niet losgeschroefd kan worden, dient u het gereedschap in een bankschroef vast te zetten. Zet vervolgens de koppeling op 1-11 en draai de klembus linksom terwijl u de koppeling bedient.
- 8. **Automatische asvergrendeling**
Deze machine is uitgerust met een mechanisme dat automatisch de as vergrendelt zodat u sneller het bitje kunt wisselen.

9. Controleer of de accu op de juiste manier aangebracht is.

10. Controleer de draairichting

De boor draait rechtsom (van achteren gezien) wanneer de R-kant van de omzetschakelaar ingedrukt wordt.

De L-kant van de omzetschakelaar dient te worden ingedrukt om de boor linksom te laten draaien. (Zie Afb. 15)

(De (L) en de (R) markeringen zijn op de behuizing aangebracht.)

11. Bediening van de schakelaar

- De boor gaat draaien wanneer aan de trekker getrokken wordt. Wanneer de trekker wordt losgelaten stopt de boor.
- De draaisnelheid van de boor kunt u regelen door in meer of mindere mate aan de trekschakelaar te trekken. Wanneer u licht aan de trekschakelaar trekt, is de snelheid laag en bij harder trekken wordt de snelheid verhoogd.

OPMERKING:

- Een gezoem wordt gehoord als de motor begint te draaien; dit is alleen geluid en duidt geen defekt aan.

ONDERHOUD EN INSPECTIE

1. Inspectie van de boor

Slijp of vervang de boor wanneer slijtage gekonstateerd wordt; gebruik van eengekonstateerd wordt; gebruik van een stompe boor vermindert de efficiëntie en kan de motor beschadigen.

2. Inspectie van bevestigingsschroeven

Kontroleer deze schroeven regelmatig om te verzekeren dat ze goed aangedraaid zijn. Draai loszittende schroeven onmiddellijk vast. Dit om ongelukken te voorkomen.

3. Onderhoud van de motor

De motorwikkeling is het "hart" van het elektrische gereedschap. Er moet daarom bijzonder zorgvuldig op gelet worden, dat de wikkeling niet beschadigd en/or met olie of water bevochtigd wordt.

4. Inspectie van de koolborstels (Afb. 16)

In de motor zijn koolborstels gebruikt, die onderhevig zijn aan slijtage. Doorgesleten koolborstels leiden tot problemen met de motor. Daarom dienen de koolborstels vervangen te worden wanneer zij versleten of bijna versleten zijn. Bovendien moeten de koolborstels altijd schoon zijn en zich vrij in de borstelhouders kunnen bewegen.

OPMERKING:

Verzeker u ervan dat u de Hitachi koolborstel code no. 999054 gebruikt, wanneer u de koolborstel vervangt.

5. Het wisselen van de koolborstel

Neem de koolborstel uit door eerst de kap van de borstel te verwijderen en vervolgens een schroevendraaier of iets dergelijks in het uitsteksel van de koolborstel te haken, zoals te zien is in Fig. 18.

Als u de koolborstel installeert, moet u de richting zo kiezen dat de nagel van de koolborstel overeenkomt met het contact-gedeelte buiten de borstelbuis. Duw de koolborstel vervolgens naar binnen met uw vinger, zoals te zien is in Fig. 19. Doe vervolgens de kap van de borstel weer terug.

LET OP:

U moet echt de nagel van de koolborstel in het contact-gedeelte buiten de borstelbuis passen. (U mag om het even welk van de twee meegeleverde nagels gebruiken.)

U moet hier goed op letten, want een eventuele fout hiermee kan resulteren in een vervorming van de nagel van de koolborstel en kan in een vroeg stadium problemen met de motor veroorzaken.

6. Reinigen van de behuizing

Gebruik een zachte droge doek, of wat soppig water, wanneer de behuizing bevuild is. Gebruik geen vloeistoffen zoals terpentijn of benzine om te voorkomen dat de afwerking beschadigd wordt.

7. Opbergen

Bewaar de slagboor op een plaats waar de temperatuur niet hoger is dan 40°C, en buiten het bereik van kinderen.

8. Lijst vervangingsonderdelen

A : Ond.nr.
B : Codenr.
C : Gebr.nr.
D : Opm.

LET OP:

Reparatie, modificatie en inspectie van Hitachi elektrisch gereedschap dient te worden uitgevoerd door een erkend Hitachi Service-centrum.

Deze Onderdelenlijst komt van pas wanneer u deze samen met het gereedschap aanbiedt bij het erkende Hitachi Service-centrum wanneer u om reparatie of ander onderhoud verzoekt.

Bij gebruik en onderhoud van elektrisch gereedschap dienen de in het land waar u zich bevindt geldende veiligheidsregelgeving en veiligheidsstandaarden strikt te worden opgevolgd.

MODIFICATIES:

Hitachi elektrisch gereedschap wordt voortdurend verbeterd en gewijzigd teneinde gebruik te kunnen maken van de nieuwste technische ontwikkelingen. Daarom is mogelijk dat sommige onderdelen (zoals codenummers en/of ontwerp) zonder voorafgaande kennisgeving gewijzigd worden.

OPMERKING:

Op grond van het voortdurende research en ontwikkelingsprogramma van HITACHI zijn veranderingen van de hierin genoemde technische opgaven voorbehouden.

Informatie betreffende luchtgeluid en trillingen

De gemeten waarden zijn verkregen overeenkomstig EN50144.

Het doorsnee A-gewogen geluiddrukknivo is 70 dB(A). Draag gehoorbescherming.

Typische gewogen effectieve versnellingswaarde: 2,0 m/s².

RECAUCIONES GENERALES DE OPERACION

1. Mantener limpia el área de trabajo, los puestos de trabajo y bancos desordenados predisponen a que ocurran accidentes.
2. Evitar ambientes peligrosos. No exponer las herramientas ni los cargadores a la lluvia. No utilizar las herramientas ni los cargadores en lugares húmedos o mojados. Mantener el área de trabajo bien iluminada.
No utilizar nunca las herramientas ni los cargadores cerca de materiales inflamables o explosivos. No utilizar la herramienta ni el cargador cerca de líquidos inflamables o gases.
3. El aparato no debe ser utilizado por niños o personas con discapacidad.
Los menores no deberán jugar con el aparato y por lo tanto, deberá mantenerse siempre bajo supervisión. Asimismo, las personas ajenas deben mantenerse a una distancia prudente del área de trabajo.
4. Guardar bien las herramientas y cargadores que no se usan. Elegir para ello un lugar seco, alto, cerrado y que no esté al alcance de los niños y personas con discapacidad.
Guardar las herramientas y los cargadores en un lugar con una buena temperatura, menor de los 40°C.
5. No forzar la herramienta. El trabajo se hace mejor y más seguro usando la herramienta con la capacidad a que está asignada.
6. Usar la herramienta correcta. No forzar las herramientas pequeñas en tareas de trabajos pesados.
7. Vestir ropa de trabajo adecuada. No llevar ropa suelta, ni joyas que puedan atascarse en las piezas móviles. Se recomienda usar guantes y calzado de goma al trabajar a la intemperie.
8. Usar gafas protectoras cuando use las herramientas. También usar máscara antipolvo si el trabajo a efectuar es polvoriento.
9. No abusar del cable. Nunca trasladar el cargador por el cable, ni desenchufar de un tirón. Mantener el cable alejado de sitios calientes, del aceite o piedras filosas.
10. Sujetar bien la pieza de trabajo. Usar mordazas para sujetar la pieza de trabajo.
Es más seguro que usar las propias manos, además quedan libres para manejar la herramienta con más eficacia.
11. No inclinarse demasiado. Apoyarse firmemente con los pies y mantener el equilibrio en todo momento.
12. Mantener las herramientas con esmero.
Mantener los útiles para trabajo siempre bien afilados y limpiarlos con frecuencias para mayor seguridad. Seguir las instrucciones de lubricación y cambio de accesorios.
13. Cuando no se usa el cargador o cuando se le hace el servicio de mantenimiento e inspección, desenchufar del tomacorriente de CA el cable de alimentación del cargador.
14. Quitar todas las llaves. Acostumbrarse a comprobar que todas las llaves estén separadas de la herramienta antes de activarla.
15. Evitar arranques accidentales. No usar la herramienta con el cable conectado al enchufe y a la vez poniendo el dedo en el pulsador.
16. Usar siempre el cargador especificado.
Nunca usar otro cargador que lo especificado, es para evitar riesgos.
17. Usar sólo piezas de repuesto originales HITACHI.
18. No utilizar herramientas ni el cargador para otras aplicaciones que difieran de las especificadas en el manual de instrucciones.
19. El uso de cualquier recambio o accesorio que no venga recomendado en el manual de instrucciones o catálogo HITACHI puede suponer el deterioro de la máquina.
20. La reparación de cualquier máquina debe ser facilitada por un servicio autorizado.
El fabricante no es responsable de ningún daño o deterioro causado por la reparación que una persona no autorizada hubiese realizado, ni tampoco del maltrato de la máquina.
21. Usar siempre el cargador a la tensión especificada en la placa de identificación.
22. Usar siempre el cargador a la tensión especificada en la placa de identificación.
23. No tocar las piezas o accesorios móviles, a menos que se desconecte la fuente de alimentación.
24. Cargar siempre la batería antes de usar la herramienta.
25. No utilizar otra batería que no sea la especificada. No conectar pilas secas, baterías de automóviles o baterías que no sean las especificadas a la herramienta.
26. No usar transformador con reforzador.
27. No cargar la batería con generador eléctrico ni con DC.
28. Hacer siempre la carga en interiores. Como el cargador y la batería se calientan un poco durante la carga, ésta hay que hacerla en un sitio no expuesto a la luz solar directa, que tenga poca humedad y esté bien ventilado.
29. Cuando se trabaja en un lugar elevado, prestar atención a lo que está debajo. Antes de comenzar, asegurarse de que no hayan personas debajo del sitio de trabajo.
30. El despiece presentado en el manual de instrucciones sólo debe ser utilizado por un servicio autorizado.
31. Para evitar peligros, la sustitución de un cable de alimentación dañado deberá realizarlo el fabricante, su agente de servicio o un técnico debidamente cualificado.

RECAUCIONES PARA EL TALADRO ATORNILLADOR A BATERÍA

1. Siempre cargar la batería a una temperatura comprendida 0 – 40°C. Una temperatura inferior a 0°C causa una sobrecarga, lo que es peligroso. No puede cargarse la batería a una temperatura mayor de 40°C.
La temperatura más apropiada para cargar es la de 20 – 25°C.
2. Cuando se completa la carga, dejar descansar el cargador por 15 minutos antes de proseguir con la carga siguiente.
No cargue consecutivamente más de dos baterías.

3. No dejar que entre suciedad por el orificio de conexión de la batería recargable.
4. Nunca desarmar la batería recargable ni el cargador.
5. Nunca poner en cortocircuito la batería recargable. Poner en cortocircuito la batería produce una corriente eléctrica enorme y el consecuente recalentamiento, pudiendo quemar o deteriorar la batería.
6. No tirar la batería al fuego. Si se quema la batería puede explotar.
7. Cuando se perfora una pared, techo o piso confirmar si está en buenas condiciones el cable de alimentación y demás piezas relacionadas.
8. Llevar la batería al sitio de compra original en el caso de que la duración de la batería recargable sea reducida al usarse. No tirar la batería descargada.
9. El uso de una batería descargada dañará el cargador.
10. No insertar objetos en las ranuras de ventilación del cargador. La inserción de objetos metálicos o inflamables en dichas ranuras puede provocar descargas eléctricas o dañar el cargador.
11. Cuando monte una broca o barrena en el portabroca de apriete sin llave, apriete el manguito adecuadamente. Si el manguito no queda bien apretado, la broca o la barrena pueden deslizar y caerse, causando heridas.

ESPECIFICACIONES

HERRAMIENTA MOTORIZADA

Model		DS12DM	
Velocidad sin carga (Baja/Alta)		0 – 350 / 0 – 1200min ⁻¹	
Capacidad	Taladrado	Madera (Grosor 18mm)	27 mm
		Metal (Grosor 1,6mm)	Acero: 13 mm, Aluminio: 13 mm
	Apriete de tornillos	Tornillo para metales	6 mm
		Tornillo para madera	6,8 mm (diámetro) × 50 mm (longitud) (Existe un orificio preliminar)
Batería recargable		EB1220BL: Ni-Cd 12 V (2,0 Ah, 10 celdas) EB1230HL: Ni-MH 12 V (3,0 Ah, 10 celdas)	
Peso		1,7 kg	

CARGADOR

Modelo	UC14YFA
Tensión de carga	7,2 – 14,4 V
Peso	0,6 kg

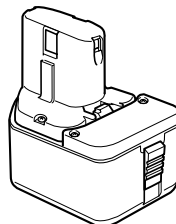
ACCESORIOS ESTANDAR

DS12DM	① Destornillador en cruz (+) (No.2)	1
	② Cargador (UC14YFA)	1
	③ Caja de plástico	1

Los accesorios estándar están sujetos a cambio sin previo aviso.

ACCESORIOS OPCIONALES (de venta por separado)

1. Batería (EB1214L, EB1220BL, EB1222HL, EB1230HL)



Lo accesorios facultativos están sujetos a cambio sin previo aviso.

APLICACIÓN

- Atornillamiento y desatornillamiento de tornillos para metales, tornillos para madera, tornillos que no necesitan abrir antes su agujero, etc.
- Taladrado de varios metales.
- Taladrado de varias maderas.

DESMONTAJE E INSTALACIÓN DE LA BATERÍA

1. Desmontaje de la batería

Sujetar firmemente el asidero y presionar el cierre de la batería para desmontarla (Ver las **Figs. 1 y 2**).

PRECAUCIÓN:

No cortocircuitar nunca la batería.

2. Instalación de la batería

Insertar la batería observando sus polaridades (Ver la **Fig. 2**).

CARGA

Antes de usar el taladro atornillador, cargar la batería del modo siguiente.

- Enchufe el cable de alimentación del cargador a un tomacorriente de CA.
Cuando haya conectado el enchufe del cargador a una toma de la red, la lámpara piloto se encenderá en rojo. (A intervalos de 1 segundo.)

- Inserte la batería en el cargador.
Inserte firmemente la batería en el cargador hasta que entre en contacto con el fondo del mismo y compruebe que las polaridades se encuentren tal como se indica en la **Fig. 3**.

PRECAUCIÓN:

- Si inserta las baterías al revés, no sólo será imposible cargarlas, sino que también posible que se produzcan problemas en el cargador, como la deformación de los terminales de carga.

3. Carga

Quando inserte una batería en el cargador, la carga comenzará la lámpara piloto permanecerá continuamente encendida en rojo.

Quando la batería se haya cargado completamente, la lámpara piloto parpadeará en rojo. (A intervalos de 1 segundo.) (Vea las **Tabla 1**)

- Indicaciones de la lámpara piloto
Las indicaciones de la lámpara piloto mostradas en la **tabla 1**, se producirán de acuerdo con la condición del cargador o de la batería.

Tabla 1

		Indicaciones de la lámpara piloto	
Antes de la carga	Parpadeo (ROJA)	Se encenderá durante 0,5 segundos. No se encenderá durante 0,5 segundos. (Apagada durante 0,5 segundos)	/
Durante la carga	Iluminación (ROJA)	Iluminación permanente	
Carga completa	Parpadeo (ROJA)	Se encenderá durante 0,5 segundos. No se encenderá durante 0,5 segundos. (Apagada durante 0,5 segundos)	
Carga imposible	Destello (ROJA)	Se encenderá durante 0,1 segundos. No se encenderá durante 0,1 segundos. (Apagada durante 0,1 segundos)	Mal funcionamiento de la batería o del cargador
Carga imposible	Iluminación (VERDE)	Iluminación permanente	La temperatura de la batería es alta, lo que imposibilita la carga.

(2) Temperatura de las baterías

La temperatura de las baterías se muestra en la tabla siguiente, y las baterías que se hayan calentado deberán dejarse enfriar durante cierto tiempo antes de cargarlas.

Tabla 2 Márgenes de carga de las baterías

Baterías	Temperatura con la que podrá cargarse la batería
EB1214L, EB1220BL	-5°C - 60°C
EB1222HL, EB1230HL	0°C - 45°C

(3) Tiempo de recarga

Dependiendo de la combinación del cargador y las baterías, el tiempo de carga será como se muestra en la **tabla 3**.

Tabla 3 Tiempo de carga (a 20°C)

Batería	Cargador	UC14YFA
EB1214L		Aprox. 40 min.
EB1220BL		Aprox. 50 min.
EB1222HL		Aprox. 55 min.
EB1230HL		Aprox. 70 min.

NOTA:

El tiempo de carga puede variar de acuerdo con la temperatura y la tensión de la fuente de alimentación.

- Desenchufe el cable de alimentación del cargador del tomacorriente de CA.
- Sostenga el cargador firmemente y saque la batería.

NOTA:

Después de la operación, extraiga en primer lugar las baterías del cargador, y después guárdelas adecuadamente.

Descarga eléctrica en caso de baterías nuevas, etc.

Como la substancia química interna de las baterías nuevas o las que no se hayan utilizado durante mucho tiempo no está activada, la descarga eléctrica puede ser inferior cuando se utilicen por primera y segunda vez. Este fenómeno es temporal, y el tiempo normal requerido para la recarga se restablecerá recargando las baterías 2 - 3 veces.

Forma de hacer que las baterías duren más.

- Recargue las baterías antes de que se hayan agotado completamente.

Si siente que la potencia de la herramienta eléctrica se debilita, deje de utilizarla y recargue su batería. Si continuase utilizando la herramienta hasta agotar la capacidad de la batería, ésta podría dañarse y su duración útil podría acortarse.

- Evite realizar la recarga a altas temperaturas. Una batería se calentará inmediatamente después de haberla utilizado. Si recargase tal batería inmediatamente después de haberla utilizado, su substancia química interna se deterioraría, y la duración útil de la batería se acortaría. Deje la batería y recárguela después de que se haya enfriado durante cierto tiempo.

PRECAUCIÓN:

- Si carga la batería mientras esté caliente por haber estado mucho tiempo en un lugar sometido a la luz solar directo, o por haber acabado de utilizarla, es posible que a lámpara piloto del cargador se encienda en verde. En tales casos, deje primero que se enfríe la batería e inicie luego la carga.
- Cuando la lámpara piloto destelle rápidamente en rojo (a intervalos de 0,2 segundos), realice una comprobación y extraiga los objetos extraños del orificio de instalación de batería del cargador. Si no hay ningún objeto extraño, es posible que la batería o el cargador funcione mal: Llévelos a un agente de servicio técnico autorizado.
- Como el microprocesador incorporado tarda 3 segundos en confirmar que la batería que estaba cargándose con el UC14YFA se ha extraído, espere 3 segundos como mínimo antes de reinsertarla para continuar cargando.

Si reinserta la batería antes de 3 segundos, es posible que no se cargue adecuadamente.

ANTES DE USAR LA HERRAMIENTA

- Instalación y comprobación del ambiente de trabajo.** Compruebe si el ambiente de trabajo es adecuado tomando las precauciones siguientes.

COMO SE USA

- 1. Confirmar la posición del dial del embrague (Ver la Fig. 5)**

El par de apriete de esta unidad se puede ajustar en base a la posición de ajuste del dial del embrague.

- Cuando utilice esta unidad como destornillador, alinee uno de los números "1, 3, 5 ... 22" del dial del embrague, o los puntos, con la marca de triángulo del cuerpo exterior.
- Cuando utilice esta unidad como taladro, alinee la marca de taladro "▲▼" del dial del embrague con la marca de triángulo del cuerpo exterior.

PRECAUCIÓN:

- El dial del embrague no se puede ajustar entre los números "1, 3, 5 ... 22" ni los puntos.
- Evite usar la unidad con el número del dial del embrague entre "22" y la línea provista en el medio de la marca del taladro. Si lo hiciese, se podrían producir daños. (Consulte la Fig. 6).

- 2. Ajuste del par de apriete**

- Par de apriete
La intensidad del par de apriete deberá corresponder con el diámetro del tornillo.

Cuando se utiliza un par excesivo el tornillo se romperá o se dañará su cabeza. Asegúrese de ajustar la posición del dial del embrague de acuerdo con el diámetro del tornillo.

- Indicación del par de apriete
El par de apriete difiere según el tipo de tornillo y del material que se está apretando. La unidad indica el par de apriete mediante los números "1, 3, 5 ... 22" que aparecen en el dial del embrague, y los puntos. El par de apriete en la posición "1" es el más débil, y el más fuerte es el del número más alto. (Consulte la Fig. 6).

- Ajuste del par de apriete
Gire el dial del embrague y alinee los números "1, 3, 5, ... 22" del dial del embrague, o los puntos, con la marca de triángulo provista en el cuerpo exterior. Ajuste la tapa en la dirección de par débil o fuerte, según el par que necesite.

PRECAUCIÓN:

- El giro del motor podrá trabarse mientras que se usa la unidad como taladro. Tenga cuidado de no bloquear el motor mientras que se está operando el atornillador taladro.
- Un apriete excesivo podrá causar la rotura del tornillo.

- 3. Cambio de velocidad de rotación**

Operar la perilla de cambio para cambiar la velocidad de rotación. Oprimir el botón de cierre para desenganchar el cerrojo y mover la perilla de cambio en la dirección de la flecha (Ver la Figs. 6 y 7). Cuando la perilla de cambio se deja en "LOW", el taladro gira despacio, mientras que en la marca "HIGH" gira rápidamente.

PRECAUCIÓN:

- Cuando se cambia la velocidad de rotación con la perilla de cambio, confirmar que el interruptor se desconecta y la perilla selectora queda en "0" (OFF). Cambiar la velocidad mientras rota el motor puede hacer que se dañen los engranajes.




- Cuando ponga el mando de cambio en "HIGH" (alta velocidad) y la posición del dial del embrague sea "17" o "22", puede suceder que el embrague no entre en toma y que el motor se bloquee. En tal caso, ponga el mando de cambio en "LOW" (baja velocidad).
 - Si se traba el motor, desconectario de inmediato. Si el motor se traba por cierto tiempo, puede quemarse tanto él como la batería.
- 4. Ambito y sugerencias para las utilizaciones**
El ámbito de utilización para varios tipos de trabajos basados en la estructura mecánica de esta unidad se muestra en la **tabla 4** siguiente:

Tabla 4

Trabajo		Sugerencias
Taladrado	Madera	Utilizar par taladrar.
	Acero	
	Aluminio	
Apriete de tornillos	Tornillo para metales	Utilizar el destornillador o el receptáculo que concuerden con el diámetro del tornillo.
	Tornillo para madera	Utilizar después de haber taladrado un agujero guía.

5. Modo de seleccionar el par de apriete y la velocidad de rotación

Table 5

Utilizaciones		Posición de la cubierta	Selección de la velocidad de rotación (Posición del mando de cambio)	
			LOW (Baja velocidad)	HIGH (Alta velocidad)
Apriete de tornillos	Tornillo para metales	1 - 22	Para tornillos de 4 mm de diámetro o menos.	Para tornillos de 6 mm de diámetro o menos.
	Tornillo para madera	1 - 	Para tornillos de 6,8 mm de diámetro nominal o menos.	Para tornillos de 3,8 mm de diámetro nominal o menos.
Taladrado	Medera		Para diámetro de 27 mm o menos.	Para diámetro de 18 mm o menos.
	Metal		Para taladrar con un taladro de trabajos en hierro.	_____

PRECAUCIÓN:

- Los ejemplos de selección mostrados en la **Tabla 5** deberán considerarse como el estándar general ya que en la actualidad se utilizan diferentes tipos de tornillos de apriete y diferentes materiales a ser apretados todos los cuales, necesitan naturalmente los ajustes apropiados.
- Si emplea la unidad con un tornillo para metal en HIGH (alta velocidad), es posible que tal tornillo se dañe o que se afloje la broca debido a que el par de apriete es demasiado fuerte. Cuando utilice tornillos para metal emplee LOW (baja velocidad).

NOTA:

El empleo de la batería EB1222HL y EB1230HL en ambientes fríos (por debajo de 0 grado centígrado), puede resultar a veces en la reducción del par de apriete y del rendimiento del trabajo. Sin embargo, se trata de un fenómeno temporal, ya que las condiciones normales se restablecen cuando se calienta la batería.

6. Uso del gancho

El gancho puede instalarse en el lateral derecho o izquierdo, y el ángulo puede ajustarse en 5 pasos, entre 0° y 80°.

(1) Operación del gancho

- (a) Extraiga el gancho hacia sí en la dirección de la flecha (A) y gírelo en la dirección de la flecha (B). (**Fig. 8**)
- (b) El ángulo se puede ajustar en 5 pasos (0°, 20°, 40°, 60°, 80°).
Ajuste el ángulo del gancho en la posición conveniente para el uso.

(2) Cambio de la posición del gancho

PRECAUCIÓN:

- La instalación incompleta del gancho puede provocar lesiones corporales durante el uso.
- (a) Sujete firmemente la unidad principal y saque el tornillo usando un destornillador de cabeza ranurada o una moneda. (**Fig. 9**)
 - (b) Saque el gancho y el resorte. (**Fig. 10**)
 - (c) Instale el gancho y el resorte en el otro lateral y asegure firmemente con el tornillo. (**Fig. 11**)

NOTA:

Preste atención a la orientación del resorte. El diámetro más grande debe quedar opuesto a usted. (**Fig. 11**)

(3) Uso del portapunta

- Instalación de la punta
Deslice la punta desde el lateral, en la dirección de la **Fig. 12**, e insértela firmemente hasta que la ranura del foso quede enclavada en la parte saliente del gancho.

- Extracción de la punta
Sostenga firmemente la unidad principal y extraiga la punta sujetando el extremo con su pulgar. (**Fig. 13**)

PRECAUCIÓN:

- La punta podría soltarse del gancho y provocar lesiones personales al invertir su dirección de la manera indicada en la **Fig. 12**, o al utilizar el destornillador con la punta incompletamente instalada.
- Sólo se deberán utilizar ACCESORIOS OPCIONALES de Hitachi, puntas para destornillador cruciforme (Punta N°.2; N°. de código 992671, Punta N°.3, N°. de código 992672). El uso de otras puntas puede provocar flojedad.

7. Montaje y desmontaje de la broca**(1) Montaje de la broca**

Afloje el manguito girándolo hacia la izquierda (en el sentido contrario a las agujas del reloj visto desde el frente) para abrir las mordazas del portabrocas sin llave. Después de insertar una broca, etc., en el portabrocas sin llave, apriete el manguito girándolo hacia la derecha (en el sentido de las agujas del reloj visto desde el frente). (Véase **Fig. 14**)

- Si se afloja el manguito durante la operación, apriételo adicionalmente.
La fuerza de apriete aumenta al apretar el manguito adicionalmente.

(2) Desmontaje de la broca

Afloje el manguito girándolo hacia la izquierda (en el sentido contrario a las agujas del reloj visto desde el frente), y extraiga la broca, etc. (Véase **Fig. 14**)

NOTA:

Si aprieta el manguito con las mordazas del portabrocas sin llave abiertas hasta el límite máximo, se podría escuchar un ruido de clic. Este ruido es producido por el portabrocas sin llave para evitar que se afloje, y no es una anomalía.

PRECAUCIÓN:

- Cuando el manguito no pueda desatornillarse, sujete la herramienta insertada en un tornillo de carpintero, etc. ajuste el modo de embrague a 1-11, y gire el manguito hacia la izquierda mientras accione el embrague.

8. Mecanismo de bloqueo del husillo

La unidad dispone de un mecanismo de bloqueo del husillo para poder cambiar la broca rápidamente.

9. Confirmar que la batería está puesta correctamente.**10. Examinar la dirección de rotación**

La broca rota hacia la derecha (mirándola desde atrás) al oprimir el lado R (der.) de inversión. El lado L (izq.) se usa para hacer girar la broca a la izquierda. (Vea las **Fig. 15**). (Las marcas (L) y (R) están en el cuerpo del taladro.)

11. Operación del interruptor

- Cuando se tira del gatillo del interruptor, la herramienta gira.
Cuando se suelta el gatillo, la herramienta se detiene.
- La velocidad rotacional de la taladradora podrá controlarse variando la presión con la que se tire del interruptor de gatillo. La velocidad será baja cuando se tire ligeramente del gatillo, y aumentará a medida que se tire más de él.

NOTA:

- Se produce un ruido de zumbido antes de que el motor empiece a girar, lo cual no indica problema alguno de la máquina.

MANTENIMIENTO E INSPECCIÓN**1. Inspección de la herramienta**

Debido a que cuando se usa una broca en malas condiciones se desmejora la eficiencia y pueden producirse desperfectos del motor, siempre conviene usar la broca afiladas. Afilan inmediatamente la broca en cuanto se note abrasión.

2. Inspección de los tornillos de montaje

Inspeccionar regularmente los tornillos de montaje y asegurarse que están bien apretados. Si se afloja algún tornillo, hay que apretarlos inmediatamente. De lo contrario, en esto, puede ser muy peligroso.

3. Mantenimiento de motor

La unidad de bobinado del motor es el verdadero "corazón" de las herramientas eléctricas. Prestar el mayor cuidado a asegurarse de que el bobinado no se dañe y/o se humedezca con aceite o agua.

4. Inspección de las escobillas de carbón (Fig. 16)

El motor emplea escobillas de carbón que son piezas consumibles. Como una escobilla excesivamente desgastada podría dar problemas al motor, reemplácelas por otras nuevas cuando se hayan desgastado o estén cerca del "límite de desgaste". Además, mantenga siempre limpias las escobillas de carbón y compruebe si se mueven libremente dentro de sus portaescobillas.

NOTA:

Cuando reemplace las escobillas de carbón por otras nuevas, utilice escobillas Hitachi con número de código 999054.

5. Reemplazar el carbón de contacto

Extraiga la escobilla de carbón quitando primero la tapa y después enganchando el saliente de la escobilla de carbón con un destornillador de punta plana, etc., como se muestra en la **Fig. 18**.

Cuando instale la escobilla de carbón, elija el sentido en el que la uña de la misma coincida con el tubo exterior de la parte de contacto de dicha escobilla de carbón. Después empuje la escobilla de carbón con un dedo, como se muestra en la **Fig. 19**. Por último, instale la tapa de la escobilla de carbón.

PRECAUCIÓN:

Cerciórese de insertar la uña de la escobilla de carbón en el tubo exterior de la parte de contacto de la misma. (Usted podrá insertar cualquiera de las dos uñas suministradas.)

Tenga cuidado, porque un error en esta operación podría deformar la uña de la escobilla y dañar prematuramente el motor.

6. Limpieza del exterior

Cuando el taladro atornillado esté sucio, limpiarlo con un paño mojado en agua jabonosa.

No utilizar disolventes clóricos, gasolina o disolventes para pinturas ya que éstos funden los materiales plásticos.

7. Almacenamiento

Guardar el taladro atornillador en un lugar en el cual la temperatura sea inferior a 40°C y esté alejado del alcance de los niños.

8. Lista de repuestos

A : N°. ítem

B : N°. código

C : N°. usado

D : Observaciones

PRECAUCIÓN:

La reparación, modificación e inspección de las herramientas eléctricas Hitachi deben ser realizadas por un Centro de Servicio Autorizado de Hitachi. Esta lista de repuestos será de utilidad si es presentada junto con la herramienta al Centro de Servicio Autorizado de Hitachi, para solicitar la reparación o cualquier otro tipo de mantenimiento.

En el manejo y el mantenimiento de las herramientas eléctricas, se deberán observar las normas y reglamentos vigentes en cada país.

MODIFICACIONES:

Hitachi Power Tools introduce constantemente mejoras y modificaciones para incorporar los últimos avances tecnológicos.

Por consiguiente, algunas partes (por ejemplo, números de códigos y/o diseño) pueden ser modificadas sin previo aviso.

NOTA:

Debido al programa continuo de investigación y desarrollo de HITACHI estas especificaciones están sujetas a cambio sin previo aviso.

Información sobre el ruido propagado por el aire y vibración

Los valores medidos fueron determinados de acuerdo con EN50144.

El nivel de presión acústica de ponderación A típica es de 70 dB (A).

Utilice protectores para los oídos.

Valor medio cuadrático ponderado típico de aceleración 2,0 m/s².

PERCAUÇÕES GERAIS QUANTO À OPERAÇÃO

1. Mantenha o local de trabalho arrumado. A desordem no local de trabalho pode ser motivo de acidente.
2. Evite ambientes perigosos. Não exponha as ferramentas elétricas à chuva. Não utilize ferramentas elétricas em locais úmidos ou molhados. Trabalhe em local bem iluminado. Nunca utilize ferramentas elétricas em locais onde haja risco de incêndios ou explosões. Não utilize ferramenta e recarregador na presença de líquidos ou gases inflamáveis.
3. O aparelho não se destina ao uso por crianças pequenas ou por pessoas enfermas sem supervisão. As crianças pequenas devem ser supervisionadas para que não brinquem com o aparelho. Os estranhos devem ser mantidos a uma distância segura da área de trabalho.
4. Guarde as ferramentas e recarregador que não estão sendo utilizados. As ferramentas e o recarregador que não estão sendo utilizados devem ser guardados em local seco, alto ou fechado, fora do alcance de crianças e pessoas doentes. Guarde as ferramentas e o recarregador num local cuja temperatura seja de menos de 40°C.
5. Não sobrecarregue a ferramenta. O trabalho será melhor e mais seguro se forem observados os limites indicados para cada ferramenta.
6. Utilize ferramentas apropriadas. Não use ferramentas pequenas ou acessórios para trabalhos pesados.
7. Escolha vestuário apropriado para o trabalho. Não use roupas largas ou jóias, pois podem prender-se em alguma peça móvel. Nos trabalhos externos aconselha-se o uso de luvas de borracha e sapatos que não escorreguem.
8. Utilize óculos de proteção com a maioria das ferramentas. Coloque também máscara para o rosto ou contra a poeira durante os trabalhos que propiciam a formação de pó.
9. Não force o cabo elétrico. Nunca transporte o recarregador pelo cabo e não o puxe para tirar o plugue da tomada. Proteja o cabo contra o calor e evite o seu contato com óleo e objetos cortantes.
10. Mantenha fixa a peça a trabalhar. Utilize dispositivos de fixação ou uma morsa para prender a peça a trabalhar. É mais seguro do que a fixação manual e permite manejar a ferramenta com ambas as mãos.
11. Controle sua posição. Escolha uma posição segura e mantenha sempre o equilíbrio.
12. Efetue uma manutenção cuidadosa das ferramentas. Tenha as ferramentas sempre afiadas e limpas para que possa trabalhar bem e em segurança. Siga as instruções para lubrificação e troca de acessórios.
13. Não mantenha o recarregador ligado à rede. Quando não estiver em uso ou ao ser inspecionado e recebendo manutenção, desconecte o cabo do recarregador da tomada CA.
14. Retire as chaves de mandril e chaves inglesas. Habitue-se a verificar se as chaves de ajuste foram retiradas da ferramenta antes de fazer a ligação.
15. Evite ligações despropositadas. Não transporte ferramentas ligadas à corrente com o dedo colocado no interruptor de comando.
16. Para evitar perigo, use sempre somente o recarregador especificado.
17. Utilize apenas peças sobressalentes originais HITACHI.
18. Não utilize ferramentas elétricas para aplicações que não estejam especificadas nestas instruções de uso.
19. Para evitar ferimentos corporais, use somente os acessórios e complementos recomendados neste manual de instruções ou no catálogo da HITACHI.
20. Se o cabo deste recarregador estiver danificado, o recarregador deve ser mandado de volta para o centro autorizado de serviços da HITACHI para que o cabo seja substituído. O conserto deve ser feito apenas por uma oficina autorizada. O fabricante não se responsabiliza por quaisquer danos ou ferimentos causados pelo conserto de pessoas não autorizadas ou pelo manejo incorreto da ferramenta.
21. Para garantir a integridade operacional indicada das ferramentas elétricas e do recarregador, não retire os protetores ou parafusos instalados.
22. Utilize sempre o recarregador na voltagem especificada na placa identificadora.
23. Não toque nas peças ou acessórios móveis a menos que a ferramenta esteja desligada da fonte de energia.
24. Recarregue sempre a bateria antes de usar a ferramenta.
25. Não utilize nenhuma outra bateria diferente da especificada. Não conecte a ferramenta elétrica a uma pilha seca normal, a uma bateria recarregável diferente da especificada nem a uma bateria de carro.
26. Não utilize um transformador que contenha um reforçador.
27. Não recarregue a bateria com eletricidade de um gerador de motor elétrico nem de rede elétrica de corrente contínua.
28. Recarregue sempre a bateria em locais fechados. Como o recarregador e a bateria se aquecem ligeiramente durante a recarga, recarregue a bateria num local não exposto à luz direta do sol e que seja bem ventilado e com pouca umidade.
29. Ao trabalhar num local alto, preste atenção para as atividades que estão sendo feitas embaixo. Antes de começar o trabalho, certifique-se de que não há pessoas embaixo.
30. O desenho pormenorizado da montagem da ferramenta contido nestas instruções de uso deve ser utilizado apenas pelas oficinas autorizadas.
31. Se estiver danificado, o fio de eletricidade deve ser substituído pelo fabricante ou pela oficina autorizada ou, senão, por um técnico igualmente qualificado para evitar acidentes.

PRECAUÇÕES NO USO DO BERBEQUIM APARAFUSADORA A BATERIA

1. Recarregue sempre a bateria numa temperatura entre 0° e 40° C. Uma temperatura de menos de 0° C provocará uma recarga excessiva, o que é perigoso. Enquanto que numa temperatura acima de 40° C, a bateria não pode ser recarregada. A temperatura mais apropriada para a recarga é entre 20° e 25° C.
2. O recarregador não deve ser usado continuamente. Quando terminar um recarregamento, libere o recarregador por cerca de 15 minutos antes da próxima recarga da bateria.
3. Não deixe que materiais estranhos entrem no orifício de conexão da bateria recarregável.
4. Não desmonte nunca a bateria recarregável nem o recarregador.

- Nunca provoque curto-circuito na bateria recarregável. Ao fazer isso, a bateria provocará uma grande corrente elétrica e um superaquecimento, podendo resultar em queima ou danos à bateria.
- Não jogue a bateria no fogo. Queimando-se, ela pode explodir.
- Ao furar uma parede, chão ou teto, verifique se há cabos elétricos, etc. embutidos nesses locais.
- Leve a bateria à loja onde você a comprou assim que a vida útil da bateria após a recarga começar a ficar muito curta para uso prático. Não descarte a bateria velha.
- O uso de uma bateria velha pode danificar o recarregador.
- Não insira nenhum objeto nas aberturas de ventilação do recarregador. A inserção de objetos metálicos ou inflamáveis nas aberturas de ventilação do recarregador pode causar choques elétricos ou danificar o recarregador.
- Ao montar um palhetão de chave no mandril automático, aperte adequadamente o manguito. Se o manguito não estiver apertado, o palhetão pode deslizar ou cair, podendo provocar ferimentos.

ESPECIFICAÇÕES

FERRAMENTA ELÉTRICA

Modelo		DS12DM	
Rotação sem carga		0 – 350 / 0 – 1200min ⁻¹	
Capacidade	Perfuração	Madeira (Espessura 18mm)	27 mm
		Metal (Espessura 1,6mm)	Aço: 13 mm, Alumínio: 13 mm
	Aparafusamento	Parafuso para metal	6 mm
		Parafuso para madeira	6,8 mm (diâmetro) × 50 mm (comprimento) (Requer um orifício-piloto)
Bateria recarregável		EB1220BL: Ni-Cd 12 V (2,0 Ah, 10 elementos de pilha) EB1230HL: Ni-MH 12 V (3,0 Ah, 10 elementos de pilha)	
Peso		1,7 kg	

RECARREGADOR

Modelo	UC14YFA
Voltagem para recarga	7,2 – 14,4V
Peso	0,6 kg

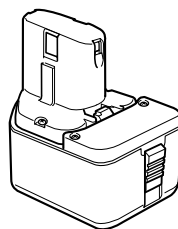
ACESSÓRIOS-PADRÃO

DS12DM	① Palhetão de chave mais (N°2)	1
	② Recarregador (UC14YFA)	1
	③ Estojo de plástico	1

Os acessórios-padrão estão sujeitos a mudanças sem aviso prévio.

ACESSÓRIOS OPCIONAIS (vendidos separadamente)

- Bateria (EB1214L, EB1220BL, EB1222HL, EB1230HL)



Os acessórios opcionais estão sujeitos a mudanças sem aviso prévio.

APLICAÇÕES

- Aparafusar e retirar parafusos de metal, parafusos de madeira, parafusos de rosca, etc.
- Perfuração de vários tipos de metais.
- Perfuração de vários tipos de madeira.

RETIRADA/INSTALAÇÃO DA BATERIA

1. Retirada da bateria

Segure a empunhadora firmemente e aperte a lingueta da bateria para retirar a bateria (veja Figs. 1 e 2)

CUIDADO:

Não provoque nunca curto-circuito na bateria.

2. Instalação da bateria

Insira a bateria, observando a direção correta (veja Fig. 2).

- Insira a bateria no recarregador.
Insira firmemente a bateria no recarregador até que ela entre em contacto com a parte inferior do recarregador e verifique as polaridades, como mostra a Fig. 3.

CUIDADO:

- Se as baterias forem inseridas na direção inversa, não apenas se tornará impossível a recarga, como também pode provocar a queima do fusível, ou problemas no recarregador como, por exemplo, no terminal de recarga.

3. Recarga

A recarga se inicia ao inserir a bateria no recarregador e a lâmpada piloto se acenderá continuamente em vermelho.





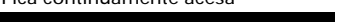
Quando a bateria ficar completamente recarregada, a lâmpada piloto vai piscar em vermelho. (Em intervalos de 1 segundo.) (Veja **Quadro 1**)

RECARGA

Antes de usar o berbequim aparafusadora, recarregue a bateria da seguinte forma.

- Ligue o cabo elétrico do recarregador numa tomada de corrente alternada. Quando estiver conectado, a lâmpada piloto do recarregador vai piscar em vermelho. (Em intervalos de 1 segundo).

Quadro 1

Indicações das lâmpadas			
Antes da recarga	Pisca (VERMELHO)	Acende-se por 0,5 segundo. Não se acende por 0,5 segundo. 	/
Durante a recarga	Acende (VERMELHO)	Fica continuamente acesa 	
Recarga completa	Pisca (VERMELHO)	Acende-se por 0,5 segundo. Não se acende por 0,5 segundo. (desliga-se por 0,5 segundo) 	
Recarga impossível	Pisca (VERMELHO)	Acende-se por 0,1 segundo. Não se acende por 0,1 segundo. (desliga-se por 0,1 segundo) 	Defeito na bateria ou no carregador
Recarga impossível	Acende (VERDE)	Fica continuamente acesa 	A temperatura da bateria está alta, tornando impossível a recarga.

(1) Indicação da lâmpada piloto

As indicações da lâmpada piloto serão como as mostradas no **Quadro 1**, de acordo com a condição do recarregador ou da bateria recarregável.

(2) Quanto a temperaturas da bateria recarregável.

As temperaturas das baterias recarregáveis são as mostradas no quadro abaixo. As baterias que se aqueceram devem ser esfriadas por um tempo antes de serem recarregadas.

Quadro 2 Limites para recarga de baterias

Baterias recarregáveis	Temperaturas nas quais a bateria pode ser recarregada
EB1214L, EB1220BL	-5°C - 60°C
EB1222HL, EB1230HL	0°C - 45°C

(3) Quanto ao tempo de recarga

Conforme a combinação do recarregador e das baterias, o tempo de recarga será o que mostra o **Quadro 3**.

Quadro 3 Tempo de recarga (a 20° C)

Bateria \ Recarregador	UC14YFA
EB1214L	Aprox. 40 min.
EB1220BL	Aprox. 50 min.
EB1222HL	Aprox. 55 min.
EB1230HL	Aprox. 70 min.

NOTA:

O tempo de recarga pode variar conforme a temperatura e a voltagem da fonte de energia.

4. Desconecte da tomada o cabo de energia do recarregador.
5. Segure o recarregador firmemente e puxe a bateria para fora.

NOTA:

Depois da operação, puxe para fora primeiro as baterias do recarregador e depois guarde as baterias de forma correta.

Quanto à descarga elétrica no caso de novas baterias, etc.

Como a substância química interna das novas baterias e daquelas que não foram usadas por um prolongado período não está ativada, pode haver uma pequena descarga elétrica ao usá-las pela primeira e segunda vez. Este fenômeno é temporário e o tempo normal requerido para a recarga será restabelecido depois da recarregar a bateria umas 2 - 3 vezes.

Como prolongar a vida útil das baterias

- (1) Recarregue as baterias antes que elas se descarreguem completamente.
Quando sentir que a potência da ferramenta enfraquece, pare de usá-la e recarregue a bateria. Se continuar a usar a ferramenta e descarregar a corrente elétrica, a bateria pode se danificar e sua vida útil ficará menor.
- (2) Evite fazer a recarga em altas temperaturas.
Um bateria recarregável se aquece imediatamente depois do uso. Se ela for recarregada imediatamente depois de ter sido usada, sua substância química interna pode deteriorar e sua vida útil pode diminuir. Deixe a bateria descansar e recarregue-a somente depois que ela tiver esfriado por algum tempo.

CUIDADO:

- Se a bateria estiver aquecida logo depois da operação (ou devido à luz do sol, etc.), a lâmpada piloto do recarregador pode não se acender em vermelho. Nesse caso, deixe primeiro a bateria esfriar antes de iniciar a recarga.
- Quando a lâmpada piloto piscar em vermelho rapidamente (em intervalos de 0,2 segundo), verifique se existe algum objeto estranho no orifício de instalação do recarregador da bateria. Caso exista, retire-o de lá imediatamente. Se não houver nenhum objeto estranho, é provável que a bateria ou o recarregador estejam com defeito. Leve ambos até o serviço autorizado.
- Como o microcomputador integrado leva cerca de 3 segundos para confirmar se a bateria que está sendo recarregada com UC14YFA foi retirada, espere no mínimo 3 segundos antes de reinseri-la para que continue a ser recarregada. Caso seja reinserida dentro de 3 segundos, ela pode não estar sendo recarregada de maneira correta.

ANTES DA OPERAÇÃO

1. Definição e verificação do ambiente de trabalho

Confirme se o ambiente de trabalho é apropriado, seguindo as precauções.

MODO DE USAR

1. Verifique a posição do disco de engate (Veja Fig. 5)

O torque de aperto deste aparelho pode ser ajustado de acordo com a posição que foi estabelecida no disco de engate.

- (1) Ao usar este aparelho como chave de fenda, alinhe a com os números "1, 3, 5 ... 22" da tampa, ou os pontos, com a marca de triângulo da parte externa do corpo.
- (2) Ao usar este aparelho como furadeira, alinhe a marca "▲▼" da broca do disco de engate com a marca de triângulo da parte externa do corpo.

CUIDADO:

- O disco de engate não pode ser ajustado entre os numerais "1, 3, 5 ... 22" nem entre os pontos.
- Não utilize com os numerais do disco de engate entre "22" e a linha no meio da marca da broca. Isto poderia provocar danos (Veja Fig. 6)

2. Ajuste do torque de aperto

(1) Torque de aperto

O torque de aperto deve corresponder em sua intensidade ao diâmetro do parafuso. Quando se empregar um torque forte demais, a cabeça do parafuso pode se quebrar ou se danificar. Certifique-se de ajustar a posição do disco de engate de acordo com o diâmetro do parafuso.

(2) Indicação do torque de aperto

O torque de aperto difere conforme o tipo de parafuso e de material que está sendo apertado. O aparelho indica o torque de aperto com os números "1, 3, 5 ... 22" no disco de engate e os pontos. A posição "1" indica o torque de aperto mais fraco, enquanto o número maior corresponde ao torque mais forte. (Veja Fig. 6)

(3) Ajuste do torque de aperto

Gire o disco de engate e alinhe os números "1, 3, 5 ... 22", ou os pontos, com a marca de triângulo da parte externa do corpo. Ajuste a tampa na direção de torque fraco ou forte, conforme sua necessidade.

CUIDADO:

- Enquanto o aparelho é usado como berbequim, a rotação do motor pode ser travada para parar. Enquanto o berbequim aparafusadora é operado, fique atento para não travar o motor.
- Uma martelada muito longa pode provocar uma quebra do parafuso devido à força de aperto excessiva.

3. Mudança na velocidade de rotação

Opere o comutador para mudar a velocidade de rotação.

Desloque o comutador na direção da seta (Veja Figs. 6 e 7).

Quando o comutador estiver ajustado para "LOW", o berbequim gira em velocidade baixa. Quando ajustado para "HIGH", o berbequim gira em velocidade alta.

CUIDADO:

- Ao mudar a velocidade de rotação com o comutador, confirme que o interruptor está desligado. Mudar a velocidade enquanto o motor estiver girando danifica as engrenagens.
- Ao ajustar o comutador para "HIGH" (velocidade alta) e a posição do disco de engate for "17" ou "22" pode acontecer que a embreagem não engrene e que o motor trave. Caso isto aconteça, ajuste o

comutador para "LOW" (velocidade baixa).

- Se o motor travar, desligue-o imediatamente. Se o motor estiver travado por algum tempo, ele ou a bateria podem queimar.




4. A finalidade e sugestões de uso

A finalidade de uso para vários tipos de trabalhos baseados na estrutura mecânica deste aparelho é mostrada na **Tabela 4**.

Tabela 4

Trabalho		Sugestões
Perfuração	Madeira	Utilize para perfuração.
	Metal	
	Alumínio	
Aparafusamento	Parafuso para metal	Use a broca ou o encaixe correspondentes ao diâmetro do parafuso.
	Parafuso para madeira	Use depois de perfurar um orifício-piloto.

5. Como selecionar a potência de aperto e a velocidade de rotação**Tabela 5**

Uso		Posição da tampa	Seleção da velocidade de rotação (Posição do comutador)	
			LOW (velocidade baixa)	HIGH (velocidade alta)
Perfuração	Parafuso de metal	1 - 22	Para parafusos de diâmetro de 4 mm ou menores.	Para parafusos de diâmetro de 6 mm ou menores.
	Parafuso de madeira	1 - 	Para parafusos de diâmetro nominal de 6,8 mm ou menores.	Para parafusos de diâmetro nominal de 3,8 mm ou menores.
Aparafusamento	Madeira		Para diâmetros de 27 mm ou menores.	Para diâmetros de 18 mm ou menores.
	Metal		Para perfurar trabalhos em metal com broca.	_____

CUIDADO:

- A seleção de exemplos mostrados na **Tabela 5** deve ser utilizada como um padrão geral. Como são usados diferentes tipos de parafusos de aperto e de materiais a serem presos com eles nos trabalhos normais, é naturalmente necessário que se façam os ajustes adequados.
- Ao utilizar o berbequim aparafusadora com um parafuso de metal em HIGH (velocidade alta), pode-se danificar um parafuso ou afrouxar uma broca, devido a um torque de aperto muito forte. Utilize o berbequim aparafusadora em LOW (velocidade baixa) ao usar um parafuso de metal.

NOTA:

O emprego das baterias EB1222HL e EB1230HL em condições de baixas temperaturas (abaixo de 0° C) pode resultar às vezes num torque de aperto fraco e numa reduzida quantidade de trabalho. No entanto, este fenómeno é passageiro e tudo volta ao normal quando a bateria se aquece.

6. Utilização do gancho

O gancho pode ser instalado tanto do lado direito como do lado esquerdo e o ângulo pode ser ajustado em 5 passos entre 0° e 80°.

(1) Operação do gancho

- (a) Puxe o gancho para fora em sua direção, seguindo a seta (A) e gire na direção da seta (B). (**Fig. 8**)
- (b) O ângulo pode ser ajustado em 5 passos (0°, 20°, 40°, 60°, 80°).
Ajuste o ângulo do gancho na posição desejada para o uso.

(2) Mudança na posição do gancho**CUIDADO:**

A instalação incompleta do gancho pode resultar em ferimentos corporais.

- (a) Segure bem o aparelho principal e retire o parafuso usando a chave de fenda ou uma moeda. (**Fig. 9**)
- (b) Retire o gancho e a mola. (**Fig. 10**)
- (c) Instale o gancho e a mola no outro lado e prenda firmemente com o parafuso. (**Fig. 11**)

NOTA:

Preste atenção ao sentido da mola. Coloque o lado com o diâmetro maior longe de você. (**Fig. 11**)

- (3) Utilização do suporte da chave
- Instalação da chave
Deslize a chave pelo lado na direção mostrada na **Fig. 12**, e depois insira-a firmemente até que os sulcos na fenda se encaixem bem no segmento saliente do gancho.
 - Retirada da chave
Segure bem o aparelho principal e puxe para fora a chave, prendendo a ponta com seu polegar. (**Fig. 13**)

CUIDADO:

- A chave pode se soltar do gancho e causar ferimentos corporais quando a direção da chave for revertida, como mostra a **Fig. 12** ou quando o aparelho é usado com a chave colocada de maneira incompleta.
- Somente os ACESSÓRIOS OPCIONAIS da Hitachi como as chaves plus (Chave n° 2, Código n° 992671, Chave n° 3, Código n° 992672) devem ser usados. Não utilize outras chaves porque elas podem não se encaixar bem.

7. Montagem e desmontagem da broca

- (1) Montagem do palhetão
- Afrouxe o manguito girando-o para a esquerda (no sentido antihorário visto de frente) para abrir o fecho no mandril automático. Depois de inserir uma chave de fenda etc., no mandril automático, aperte o manguito para a direita (no sentido horário visto de frente). (Veja **Fig. 14**)
- Se o manguito ser tornar frouxo durante a operação, aperte-o ainda mais.
A pressão do aperto se torna mais forte quanto mais o manguito for apertado.
- (2) Desmontagem do palhetão
- Arouxe o manguito girando-o para a esquerda (no sentido antihorário visto de frente), e então retire o palhetão etc. (Veja **Fig. 14**)

NOTA:

Se o manguito for apertado numa posição onde o fecho do mandril automático for aberto no seu limite máximo, pode ocorrer um ruído de clique. O ruído ocorre quando o afrouxamento do mandril automático é evitado e não é nenhum defeito de fabricação.

CUIDADO:

- Quando não for mais possível afrouxar o manguito, use uma morsa ou algum instrumento similar para prender a broca.
Ajuste o modo embreagem entre 1 e 11 e então gire o manguito para o lado frouxo (lado esquerdo) enquanto opera a embreagem. Assim fica fácil afrouxar o manguito.

8. Mecanismo automático de trava do eixo

Este aparelho possui um mecanismo automático de trava do eixo para permitir a mudança rápida do palhetão.

9. Verifique se a bateria está montada corretamente.

10. Verifique a direção de rotação

A broca gira no sentido horário (vista de trás) ao apertar o lado R (direito) do seletor. O lado L (esquerdo) do seletor é apertado para girar a broca no sentido anti-horário. (Veja **Fig. 15**). (As marcas (L) e (R) estão no corpo do aparelho.)

11. Operação do interruptor

- Quando o interruptor de gatilho é apertado, a ferramenta gira. Quando o gatilho é solto, a ferramenta pára de funcionar.
- A velocidade de rotação do berbequim pode ser controlada pela variação da força de aperto no gatilho. A velocidade é baixa quando o gatilho é apertado um pouco e aumenta à medida que o gatilho é apertado com mais força.

NOTA:

- Pode ser produzido um som de pio quando o motor estiver para começar a girar, mas é apenas um ruído, não um defeito da máquina.

MANUTENÇÃO E INSPEÇÃO

1. Inspeção da ferramenta

Como o uso de uma ferramenta sem fio diminui a eficiência e causa possíveis falhas no motor, afie ou troque a ferramenta assim que notar que ela está ficando cega.

2. Inspeção dos parafusos de fixação

Inspeccione regularmente todos os parafusos de fixação e se certifique de que estão corretamente apertados. Caso algum parafuso se afrouxe, reaperte-o imediatamente, do contrário existe risco de graves problemas.

3. Manutenção do motor

O enrolamento do motor do aparelho é o "coração" da ferramenta elétrica.

Tome o devido cuidado para assegurar que o enrolamento não se danifique e/ou fique molhado com óleo ou água.

4. Inspeção das escovas de carvão (Fig. 16)

O motor emprega escovas de carvão que são peças de consumo. Escovas de carvão excessivamente gastas podem causar problemas no motor, portanto substitua-as por novas quando elas se tornarem gastas ou quase "no limite de uso". Além disso, sempre mantenha as escovas de carvão limpas e se certifique que elas deslizam livremente nos suportes de escova.

NOTA:

Ao substituir uma escova de carvão por uma nova, certifique-se de que está usando a Escova de Carvão da Hitachi Código N° 999054.

5. Troca das escovas de carvão

Primeiramente, retire o protetor da escova e depois enganche a protuberância da escova de carvão com uma chave de fenda, etc., como mostra a **Fig. 18**. Ao instalar a escova de carvão, escolha a direção de forma que o prego da escova encaixe com a parte de contato fora do tubo da escova. Empurre, então, a escova com um dedo, como mostra a **Fig. 19**. Finalmente, instale o protetor da escova.

CUIDADO:

Esteja absolutamente seguro de que inseriu o prego da escova de carvão na parte de contato fora do tubo da escova. (Pode-se inserir qualquer um dos dois pregos fornecidos.)

Deve-se ter cuidado porque qualquer erro nesta operação pode resultar num prego deformado da escova de carvão e causar problemas no motor num estágio inicial.

6. Limpeza externa

Quando o berbequim aparafusadora estiver manchado, limpe-o com um pano macio e seco umedecido com água com sabão. Não utilize solventes clorídricos, gasolina ou solventes de tinta, pois eles derretem plásticos.

7. Armazenagem

Guarde o berbequim aparafusadora num local cuja temperatura seja menor que 40°C e fora do alcance de crianças.

8. Lista de peças para conserto

- A: Item N°
- B: Código N°
- C: N° Usado
- D: Observações

CUIDADO:

Consertos, modificações e inspeção de Ferramentas Elétricas da Hitachi devem ser realizados por uma Oficina Autorizada da Hitachi.

Esta lista de peças pode ser útil se apresentada com a ferramenta na Oficina Autorizada da Hitachi ao solicitar conserto ou manutenção.

Na operação e na manutenção das ferramentas elétricas, devem-se observar as normas de segurança e os padrões prescritos por cada país.

MODIFICAÇÃO:

As Ferramentas Elétricas da Hitachi estão sempre sendo aperfeiçoadas e modificadas para incorporar os mais recentes avanços tecnológicos.

Dessa forma, algumas peças (isto é, números de código e/ ou design) podem mudar sem aviso prévio.

NOTA:

Devido ao contínuo programa de pesquisa e desenvolvimento da HITACHI, as especificações aqui contidas estão sujeitas a mudanças sem aviso prévio.

Informação a respeito de ruídos e vibração do ar

Os valores medidos foram determinados de acordo com EN50144.

Nível típico de pressão sonora de peso A:

70 dB (A).

Use protetores de ouvido.

O valor típico da aceleração média ponderada da raiz quadrada: 2,0 m/s².

ΓΕΝΙΚΑ ΜΕΤΡΑ ΠΡΟΦΥΛΑΞΗΣ ΓΙΑ ΤΗ ΛΕΙΤΟΥΡΓΙΑ

1. Κρατήστε το χώρο εργασίας καθαρό. Οι γεμάτοι χώροι και οι πάγκοι προκαλούν ατυχήματα.
2. Αποφύγετε τον επικίνδυνο περιβάλλον. Μην εκθέσετε τα ηλεκτρικά εργαλεία και το φορτιστή στη βροχή. Μην χρησιμοποιήσετε το ηλεκτρικό εργαλείο και το φορτιστή σε νοτισμένες ή σε υγρές περιοχές. Και κρατήστε το χώρο εργασίας καλά φωτισμένο.
Ποτέ μην χρησιμοποιήσετε τα ηλεκτρικά εργαλεία και το φορτιστή κοντά σε εύφλεκτα υλικά.
Μην χρησιμοποιήσετε το εργαλείο και το φορτιστή όταν υπάρχουν εύφλεκτα υγρά ή αέρια.
3. Η συσκευή δεν προορίζεται για χρήση από μικρά παιδιά ή από ασθενή άτομα χωρίς επίβλεψη. Τα μικρά παιδιά πρέπει να επιβλέπονται για να διασφαλιστεί ότι δεν παίζουν με την συσκευή. Όλοι οι επισκέπτες πρέπει να βρίσκονται σε μια απόσταση ασφαλείας από την περιοχή εργασίας.
4. Αποθηκεύστε τα εργαλεία που δεν βρίσκονται σε χρήση και το φορτιστή. Όταν δεν χρησιμοποιούνται τα εργαλεία και ο φορτιστής πρέπει να αποθηκεύονται σε ένα ξηρό, υψηλό ή κλειδωμένο χώρο στον οποίο δεν μπορούν να έχουν πρόσβαση τα παιδιά και τα ασθενή άτομα. Αποθηκεύστε τα εργαλεία και το φορτιστή σε ένα χώρο στον οποίο η θερμοκρασία είναι μικρότερη από 40°C.
5. Μην ασκήσετε βία στο εργαλείο. Θα πραγματοποιήσει την εργασία καλύτερα και με περισσότερη ασφάλεια στην ταχύτητα για την οποία σχεδιάστηκε.
6. Χρησιμοποιήστε το σωστό εργαλείο. Μην ασκήσετε βία σε μικρά εργαλεία ή προσαρτήματα για να πραγματοποιήσουν την εργασία εργαλίων που προορίζονται για βαριές δουλειές.
7. Φοράτε τα κατάλληλα ρούχα. Όχι χαλαρά ρούχα ή κοσμήματα τα οποία μπορούν να πιαστούν σε κινούμενα μέρη. Λαστιχένια γάντια και παπούτσια συνιστώνται όταν δουλεύετε σε εξωτερικό χώρο.
8. Χρησιμοποιήστε προστατευτικά γυαλιά με τα περισσότερα εργαλεία. Επίσης μάσκα προσώπου ή σκόνης όταν η εργασία κοπής παράγει σκόνη.
9. Μην ακήσετε βία στο καλώδιο. Ποτέ μην μεταφέρετε το φορτιστή από το καλώδιο ή το τραβήτε με δύναμη για να το αποσυνδέσετε από τη μπρίζα. Κρατήστε το καλώδιο μακριά από τη θερμότητα, το λάδι και τις κοφτερές γωνίες.
10. Ασφαλίστε τη δουλειά σας. Χρησιμοποιήστε σφιχτήρες ή μια μέγγενη για να στερεώσετε το αντικείμενο εργασίας σας. Είναι ασφαλέστερο από το να χρησιμοποιείτε το χέρι σας και ελευθερώνει και τα δύο σας χέρια για το χειρισμό του εργαλείου.
11. Μην υπερψύνωστε. Κρατήστε το κατάλληλο πάτημα και ισοροπία πάντοτε.
12. Συντηρείτε τα εργαλεία με προσοχή. Διατηρείτε πάντοτε τα εργαλεία κοφτερά, και καθαρά για την καλύτερη και ασφαλέστερη απόδοση. Ακολουθείτε τις οδηγίες για τη λίπανση και την αλλαγή των ανταλλακτικών.
13. Όταν ο φορτιστής δεν βρίσκεται σε χρήση ή όταν βρίσκεται υπό συντήρηση ή έλεγχο, αποσυνδέστε το καλώδιο παροχής ρεύματος από την παροχή ρεύματος.
14. Αφαιρέστε τα κλειδιά του άξονα και τα κλειδιά. Αποκτήστε τη συνήθεια να ελέγχετε να δείτε ότι τα κλειδιά έχουν αφαιρεθεί από το εργαλείο πριν το ξεκινήσετε να δουλεύει.
15. Αποφύγετε την κατά λάθος εκκίνηση. Μην μεταφέρετε το εργαλείο με το δάκτυλο σας στην σκανδάλη.
16. Για να αποφύγετε τον κίνδυνο, πάντοτε να χρησιμοποιείτε μόνο τον ενδεικνυόμενο φορτιστή.
17. Χρησιμοποιήστε μόνο αυθεντικά ανταλλακτικά HITACHI.
18. Μην χρησιμοποιήσετε τα ηλεκτρικά εργαλεία για εφαρμογές διαφορετικές από αυτές που αναφέρονται στις Οδηγίες Χειρισμού.
19. Για να αποφύγετε τον προσωπικό τραυματισμό, χρησιμοποιείτε μόνο τα εξαρτήματα ή προσαρτήματα που συνιστώνται σε αυτές τις οδηγίες χειρισμού ή στον κατάλογο HITACHI.
20. Αν το καλώδιο ρεύματος αυτού του φορτιστή πάθει ζημιά, ο φορτιστής θα πρέπει να επιστραφεί στο εξουσιοδοτημένο κέντρο σέρβις της HITACHI για την αντικατάσταση του καλωδίου. Επιτρέψτε μόνο το εξουσιοδοτημένο κέντρο σέρβις να κάνει την αντικατάσταση. Ο Κατασκευαστής δεν είναι υπεύθυνος για την οποιαδήποτε ζημιά ή τραυματισμούς που προκαλούνται από την επισκευή από μη εξουσιοδοτημένα πρόσωπα ή από κακό χειρισμό του εργαλείου.
21. Για την διασφάλιση της σχεδιασμένης λειτουργικής ακεραιότητας των ηλεκτρικών εργαλίων και του φορτιστή, μην αφαιρέσετε τα εγκαταστημένα καλύμματα και τις βίδες.
22. Πάντοτε να χρησιμοποιείτε τον φορτιστή στην τάση που καθορίζεται στην πινακίδα.
23. Μην αγκιέστε κινούμενα τμήματα ή εξαρτήματα εκτός και αν η πηγή ρεύματος έχει αποσυνδεθεί.
24. Πάντοτε να φορτίζετε τη μπαταρία πριν από τη χρήση.
25. Ποτέ μην χρησιμοποιήσετε άλλη μπαταρία εκτός από αυτή που καθορίζεται. Μην συνδέσετε ένα συνηθισμένο ξηρό στοιχείο, μια επαναφορτιζόμενη μπαταρία διαφορετική από αυτή που καθορίζεται ή μια μπαταρία αυτοκινήτου στο ηλεκτρικό εργαλείο.
26. Μην χρησιμοποιήσετε ένα μετασχηματιστή που περιέχει ένα ενισχυτή.
27. Μην φορτίσετε την μπαταρία από μια ηλεκτρική γεννήτρια μηχανής ή από μια πηγή παροχής συνεχούς ρεύματος DC.
28. Πάντοτε να φορτίζετε σε εσωτερικό χώρο. Καθώς η μπαταρία και ο φορτιστής θερμαίνονται ελαφρά κατά τη φόρτιση, φορτίστε τη μπαταρία σε ένα χώρο που δεν είναι εκτεθειμένος στο απευθείας ηλιακό φως, ο οποίος έχει χαμηλή υγρασία και είναι καλά αεριζόμενος.
29. Όταν εργάζεστε σε υψηλό χώρο, δώστε προσοχή στις δραστηριότητες από κάτω. Πριν αρχίσετε βεβαιωθείτε ότι δεν υπάρχουν άνθρωποι από κάτω.
30. Το μεγεθυνόμενο σχεδιάγραμμα συναρμολόγησης σε αυτές τις οδηγίες χειρισμού πρέπει να χρησιμοποιείται μόνο από την εξουσιοδοτημένη πηγή σέρβις.
31. Αν το καλώδιο παροχής πάθει ζημιά, πρέπει να αντικατασταθεί από τον κατασκευαστή ή από τον αντιπρόσωπο που για την παροχή του σέρβις ή από ένα άτομο με παρόμοια προσόντα για την αποφυγή του οποιαδήποτε κινδύνου.

ΜΕΤΡΑ ΠΡΟΦΥΛΑΞΗΣ ΓΙΑ ΤΟ ΔΡΑΠΑΝΟΚΑΤΣΑΒΙΔΟ ΜΠΑΤΑΡΙΑΣ

1. Πάντοτε φορτίζετε την μπαταρία σε θερμοκρασία ανάμεσα 0 - 40°C. Μια θερμοκρασία μικρότερη από 0°C θα προκαλέσει την υπερφόρτιση που είναι επικίνδυνη. Η μπαταρία δεν μπορεί να φορτιστεί σε θερμοκρασία μεγαλύτερη από 40°C. Η πιο κατάλληλη θερμοκρασία για φόρτιση είναι αυτή των 20 - 25°C.
2. Όταν η μια φόρτιση ολοκληρωθεί, αφήστε το φορτιστή για 15 λεπτά πριν από την επόμενη φόρτιση μπαταρίας. Μην φορτίζετε περισσότερες από δυο μπαταρίες στη σειρά.
3. Μην αφήσετε ξένα υλικά να μπουν στην τρύπα σύνδεσης της επαναφορτιζόμενης μπαταρίας.
4. Ποτέ μην αποσυναρμολογήσετε την επαναφορτιζόμενη μπαταρία και το φορτιστή.
5. Ποτέ μην βραχυκυκλώσετε την επαναφορτιζόμενη μπαταρία. Το βραχυκύκλωμα της μπαταρίας θα προκαλέσει ένα μεγάλο ηλεκτρικό ρεύμα και υπερθέρμανση. Προκαλεί το κάψιμο ή την υπερθέρμανση της μπαταρίας.
6. Μην πετάξετε την μπαταρία στη φωτιά. Αν η μπαταρία καεί μπορεί να εκραγεί.
7. Όταν ανοίγετε τρύπα στον τοίχο, στο δάπεδο ή στην οροφή, ελέγξτε για κρυμμένα ηλεκτρικά καλώδια κλπ.
8. Πηγαίνετε την μπαταρία στο κατάστημα από το οποίο την αγοράσατε όταν η διάρκεια ζωής της μπαταρίας μετά από την φόρτιση έχει γίνει πολύ μικρή για πρακτική χρήση. Μην πετάξετε την τελειωμένη μπαταρία.
9. Η χρησιμοποίηση μια εξασθενημένης μπαταρίας θα προκαλέσει βλάβη στο φορτιστή.
10. Μην βάλτε κανένα αντικείμενο μέσα στις τρύπες εξερισμού του φορτιστή. Η είσοδος μεταλλικών αντικειμένων ή εύφλεκτων υλικών στις τρύπες εξερισμού του φορτιστή θα προκαλέσει τον κίνδυνο ηλεκτροπληξίας ή την καταστροφή του φορτιστή.
11. Όταν στερεώνετε μια λεπίδα μέσα στον σφιγκτήρα χωρίς κλειδί, σφίξτε το βραχίονα αρκετά καλά. Αν ο βραχίονας δεν είναι σφιχτός, η λεπίδα μπορεί να γλιστρήσει και να πέσει έξω, προκαλώντας τραυματισμό.

ΤΕΧΝΙΚΑ ΧΑΡΑΚΤΗΡΙΣΤΙΚΑ

ΗΛΕΚΤΡΙΚΟ ΕΡΓΑΛΕΙΟ

Μοντέλο		DS12DM	
Ταχύτητα χωρίς φορτίο (Χαμηλή / Υψηλή)		0 - 350 / 0 - 1200min ⁻¹	
Ικανότητα	Τρύπημα	Ξύλο (Πάχος 18mm)	27 mm
		Μέταλλο (Πάχος 1,6mm)	Ατσάλι: 13 mm, Αλουμίνιο: 13 mm
	Βίδωμα	Μηχανική βίδα	6 mm
		Ξυλόβιδα	6,8 mm (διάμετρος) × 50 mm (μήκος) (Απαιτεί μια δοκιμαστική τρύπα)
Επαναφορτιζόμενη μπαταρία		EB1220BL: Ni-Cd 12 V (2,0 Ah, 10 στοιχεία) EB1230HL: Ni-MH 12 V (3,0 Ah, 10 στοιχεία)	
Βάρος		1,7 kg	

ΦΟΡΤΙΣΤΗΣ

Μοντέλο	UC14YFA
Τάση φόρτισης	7,2 - 14,4 V
Βάρος	0,6 kg

ΚΑΝΟΝΙΚΑ ΕΞΑΡΤΗΜΑΤΑ

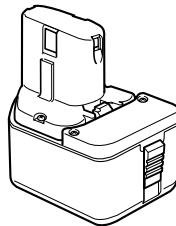
DS12DM	① Συν οδηγός λεπίδας (Αρ. 2)	1
	② Φορτιστής (UC14YFA)	1
	③ Πλαστική θήκη	1

Τα κανονικά εξαρτήματα υπόκεινται σε αλλαγή χωρίς προειδοποίηση.

ΠΡΟΑΙΡΕΤΙΚΑ ΕΞΑΡΤΗΜΑΤΑ

(πωλούνται ξεχωριστά)

1. Μπαταρία (EB1214L, EB1220BL, EB1222HL, EB1230HL)



Τα προαιρετικά εξαρτήματα υπόκεινται σε αλλαγή χωρίς προειδοποίηση.

ΕΦΑΡΜΟΓΕΣ

- Βίδωμα και αφαίρεση μηχανικών βιδών, ξυλόβιδων, προσαρμοζόμενες βίδες κλπ.
- Άνοιγμα τρύπας σε διάφορα μέταλλα.
- Άνοιγμα τρύπας σε διάφορα ξύλα.

ΑΦΑΙΡΕΣΗ ΚΑΙ ΤΟΠΟΘΕΤΗΣΗ ΜΠΑΤΑΡΙΑΣ**1. Αφαίρεση μπαταρίας**

Κρατήστε την μπαταρία σφιχτά και σπρώξτε το μάνταλο της μπαταρίας για να αφαιρέσετε την μπαταρία (δείτε **Εικ. 1** και **2**).

ΠΡΟΣΟΧΗ:

Ποτέ μην βραχυκυκλώσετε τη μπαταρία.

2. Τοποθέτηση μπαταρίας

Βάλτε την μπαταρία λαμβάνοντας υπόψη την πολικότητά της (δείτε **Εικ. 2**).

ΦΟΡΤΙΣΗ

Πριν χρησιμοποιήσετε το δραπανοκατάβιδο, φορτίστε την μπαταρία ως ακολούθως.

Πίνακας 1

Ενδείξεις δοκιμαστικής λάμπας			
Πριν τη φόρτιση	Αναβοσβήνει (ΚΟΚΚΙΝΟ)	Ανάβει για 0,5 δευτερόλεπτα. Δεν ανάβει για 0,5 δευτερόλεπτα. (κλειστό για 0,5 δευτερόλεπτα)	/
Κατά τη φόρτιση	Ανάβει (ΚΟΚΚΙΝΟ)	Ανάβει συνεχώς	
Ολοκλήρωση φόρτισης	Αναβοσβήνει (ΚΟΚΚΙΝΟ)	Ανάβει για 0,5 δευτερόλεπτα. Δεν ανάβει για 0,5 δευτερόλεπτα. (κλειστό για 0,5 δευτερόλεπτα)	
Φόρτιση αδύνατη	Τρεμοπαίζει (ΚΟΚΚΙΝΟ)	Ανάβει για 0,1 δευτερόλεπτα. Δεν ανάβει για 0,1 δευτερόλεπτα. (κλειστό για 0,1 δευτερόλεπτα)	Δυσλειτουργία στην μπαταρία ή στο φορτιστή
Φόρτιση αδύνατη	Ανάβει (ΠΡΑΣΙΝΟ)	Ανάβει συνεχώς	Η θερμοκρασία της μπαταρίας είναι υψηλή κάνοντας την επαναφόρτιση αδύνατη.

- (1) Ένδειξη πιλοτικής λάμπας
Οι ενδείξεις της πιλοτικής λάμπας θα είναι όπως φαίνεται στον **Πίνακα 1**, σύμφωνα με την κατάσταση του φορτιστή ή της επαναφορτιζόμενης μπαταρίας.
- (2) Σχετικά με τη θερμοκρασία της επαναφορτιζόμενης μπαταρίας.
Οι θερμοκρασίες των επαναφορτιζόμενων μπαταριών δείχνονται στον παρακάτω πίνακα, και οι μπαταρίες που έχουν ζεσταθεί πρέπει να κρυσώσουν για κάποιο μικρό χρονικό διάστημα πριν επαναφορτιστούν.

1. Συνδέστε το καλώδιο ρεύματος του φορτιστή σε μια πηγή ου ρεύματος. Όταν το καλώδιο ρεύματος έχει συνδεθεί, η δοκιμαστική λάμπα του φορτιστή θα αναβοσβήνει στο κόκκινο. (Κατά διαστήματα του 1 δευτερολέπτου).
2. Βάλτε την μπαταρία μέσα στο φορτιστή. Βάλτε καλά την μπαταρία μέσα στο φορτιστή μέχρι που να έρθει σε επαφή με τη βάση του φορτιστή και ελέγξτε τις πολικότητες όπως φαίνεται στην **Εικ. 3**.

ΠΡΟΣΟΧΗ:

- Αν οι μπαταρίες τοποθετηθούν μέσα με αντίθετη φορά όχι μόνο η επαναφόρτιση δεν θα είναι δυνατή, αλλά ενδέχεται να δημιουργήσει προβλήματα στο φορτιστή όπως τη παραμόρφωση των ακροδεκτών επαναφόρτισης.
- 3. Φόρτιση
Όταν βάλετε την μπαταρία στο φορτιστή, η φόρτιση θα αρχίσει και η δοκιμαστική λάμπα θα ανάβει συνεχώς στο κόκκινο.
Όταν η μπαταρία φορτιστεί πλήρως, η δοκιμαστική λάμπα θα αναβοσβήνει στο κόκκινο (Κατά διαστήματα του 1 δευτερολέπτου). (Δείτε **Πίνακα 1**)

Πίνακας 2 Επαναφορτιζόμενα διαστήματα των μπαταριών

Επαναφορτιζόμενες μπαταρίες	Θερμοκρασίες στις οποίες η μπαταρία μπορεί να φορτιστεί
EB1214L, EB1220BL	-5°C – 60°C
EB1222HL, EB1230HL	0°C – 45°C

- (3) Αναφορικά με το χρόνο επαναφόρτισης
Σε εξάρτηση από το συνδυασμό του φορτιστή και των μπαταριών, ο χρόνος φόρτισης θα είναι αυτός που δείχνεται στον **Πίνακα 3**.

Πίνακας 3 Χρόνος φόρτισης (Στους 20°C)

Φορτιστής	UC14YFA
Μπαταρία	
EB1214L	Περίπου 40 min.
EB1220BL	Περίπου 50 min.
EB1222HL	Περίπου 55 min.
EB1230HL	Περίπου 70 min.

ΣΗΜΕΙΩΣΗ:

Ο χρόνος φόρτισης ενδέχεται να διαφέρει ανάλογα με τη θερμοκρασία και την τάση της πηγής ρεύματος.

4. Αποσυνδέστε το ηλεκτρικό καλώδιο του φορτιστή από την πηγή εναλλασσόμενου ρεύματος AC.
5. Κρατήστε το φορτιστή σταθερά και τραβήξτε τη μπαταρία.

ΣΗΜΕΙΩΣΗ:

Με τη λειτουργία, βγάλτε πρώτα έξω τις μπαταρίες από το φορτιστή, και φυλάξτε τις μπαταρίες κατάλληλα.

Αναφορικά με την ηλεκτρική εκκένωση στην περίπτωση των καινούργιων μπαταριών. κλπ.

Καθώς το εσωτερικό χημικό στοιχείο των καινούργιων μπαταριών και των μπαταριών που δεν έχουν χρησιμοποιηθεί για μακρό χρονικό διάστημα δεν είναι ενεργό, η ηλεκτρική εκκένωση ενδέχεται να είναι χαμηλή όταν τις χρησιμοποιείτε για πρώτη και δεύτερη φορά. Αυτό είναι ένα προσωρινό φαινόμενο, και ο κανονικός χρόνος που απαιτείται για την επαναφόρτιση θα επαναφερθεί με το να επαναφορτίσετε τις μπαταρίες 2-3 φορές.

Πώς να κάνετε τις μπαταρίες να αποδίδουν περισσότερο χρόνο.

- (1) Επαναφορτίστε τις μπαταρίες πριν αδειάσουν τελείως.
Όταν αισθανθείτε ότι η ισχύς του εργαλείου γίνεται ασθενέστερη, σταματήστε τη χρήση του εργαλείου και επαναφορτίστε τις μπαταρίες.
Αν συνεχίσετε να χρησιμοποιείτε το εργαλείο και αδειάστε το ηλεκτρικό ρεύμα, η μπαταρία μπορεί να πάθει ζημιά και η ζωής της θα γίνει μικρότερη.
- (2) Αποφύγετε την επαναφόρτιση σε υψηλές θερμοκρασίες.
Μια επαναφορτιζόμενη μπαταρία θα είναι ζεστή αμέσως μετά τη χρήση. Αν μια τέτοια μπαταρία επαναφορτιστεί αμέσως μετά τη χρήση, το εσωτερικό της χημικό στοιχείο θα φθαρεί και η ζωή της μπαταρίας θα γίνει μικρότερη. Αφήστε τη μπαταρία και επαναφορτίστε την μετά από του κρυώσει για λίγο.

ΠΡΟΣΟΧΗ:

- Αν η μπαταρία φορτιστεί ενώ είναι ζεσταμένη εξαιτίας της έκθεσής της στο ηλιακό φως για μακρό χρονικό διάστημα ή επειδή έχει μόλις χρησιμοποιηθεί, η δοκιμαστική λάμπα του φορτιστή ανάβει στο πράσινο. Σε τέτοια περίπτωση, πρώτα αφήστε την μπαταρία να κρυώσει, και μετά αρχίστε την φόρτιση.
- Όταν η δοκιμαστική λάμπα αναβοσβήνει στο κόκκινο γρήγορα (σε διαστήματα 0,2 δευτερολέπτων), ελέγξτε και βγάλτε έξω οποιοδήποτε ξένο

αντικείμενο υπάρχει στην τρύπα του φορτιστή στην οποία γίνεται η εγκατάσταση της μπαταρίας. Αν δεν υπάρχουν ξένα αντικείμενα, είναι πιθανό ότι η μπαταρία ή ο φορτιστής δυσλειτουργεί. Πηγαίστε το στον εξουσιοδοτημένο Αντιπρόσωπο του Σέρβις.

- Επειδή ο ενσωματωμένος μικρο-επεξεργαστής χρειάζεται περίπου 3 δευτερόλεπτα για να επιβεβαιώσει ότι η μπαταρία που φορτίζεται με το UC14YFA έχει αφαιρεθεί, περιμένετε για τουλάχιστο 3 δευτερόλεπτα πριν την επανοποθετήσετε για να συνεχίσετε τη φόρτιση. Αν η μπαταρία επανοποθετηθεί μέσα στο διάστημα των 3 δευτερολέπτων, η μπαταρία ενδέχεται να μην φορτιστεί κατάλληλα.

ΠΡΙΝ ΤΗ ΛΕΙΤΟΥΡΓΙΑ**1. Καθορισμός και έλεγχος του περιβάλλοντος εργασίας**

Ελέγξτε αν το περιβάλλον εργασίας είναι κατάλληλο ακολουθώντας τα μέτρα προφύλαξης.

ΠΩΣ ΝΑ ΤΟ ΧΡΗΣΙΜΟΠΟΙΗΣΕΤΕ**1. Επιβεβαιώστε τη θέση του καντράν του συμπλέκτη (Βλέπε Εικ. 5)**

Η ροπή σφίξης αυτής της συσκευής μπορεί να ρυθμιστεί σύμφωνα με τη θέση του καντράν του συμπλέκτη, στην οποία το κάλυμμα έχει τοποθετηθεί.

- (1) Όταν χρησιμοποιείτε την συσκευή ως καταβίδι, ταιριάστε, ένα από τους αριθμούς "1, 3, 5 ... 22" του καντράν του συμπλέκτη, ή τις κουκίδες, με το τριγωνικό σημάδι στο εξωτερικό σώμα.
- (2) Όταν χρησιμοποιείτε αυτή τη μονάδα ως τρυπάνι, ευθυγραμμίστε το σημάδι τρυπανιού του καντράν του συμπλέκτη "▲" με το τριγωνικό σημάδι στο εξωτερικό σώμα.

ΠΡΟΣΟΧΗ:

- Το καντράν του συμπλέκτη δεν μπορεί να ρυθμιστεί ανάμεσα τους αριθμούς "1, 3, 5 ... 22" ή τις κουκίδες.
- Μην κάνετε χρήση του αριθμού "22" με το καντράν του συμπλέκτη και την γραμμή στο μέσον του σημαδιού του τρυπανιού. Αν το κάνετε αυτό μπορεί να προκληθεί ζημιά. (Βλέπε Εικ. 6)

2. Ρύθμιση της ροπής σφίξης

- (1) Ροπή σφίξης
Το μέγεθος της ροπής σφίξης πρέπει να αντιστοιχεί στην διάμετρο της βίδας. Όταν χρησιμοποιηθεί μια αρκετά μεγάλη ροπή η κεφαλή της βίδας μπορεί να σπάσει ή να πάθει ζημιά. Βεβαιωθείτε να ρυθμίσετε τη θέση του καντράν του συμπλέκτη σύμφωνα με την διάμετρο της βίδας.
- (2) Ένδειξη της ροπής σφίξης
Η ροπή σφίξης διαφέρει ανάλογα με τον τύπο της βίδας και το υλικό που πρόκειται να σφικτεί. Η συσκευή δείχνει ην ροπή σφίξης με τους αριθμούς "1, 3, 5 ... 22" πάνω στο καντράν του συμπλέκτη και τις κουκίδες. Η ροπή σφίξης στη θέση "1" είναι η ασθενέστερη και η ροπή είναι δυνατότερη ο μεγαλύτερο αριθμό (Βλέπε Εικ. 6)

- (3) Ρύθμιση της ροπής σφίξης
 Περιστρέψετε το καντράν του συμπλέκτη και ταιριάστε τους αριθμούς "1, 3, 5 ... 22" του καντράν του συμπλέκτη, ή τις κουκίδες με το τριγωνικό σημάδι στο εξωτερικό σώμα.
 Ρυθμίστε το καντράν του συμπλέκτη προς τη διεύθυνση της ασθενούς ή της ισχυρής ροπής σύμφωνα με την ροπή που επιθυμείτε.

ΠΡΟΣΟΧΗ:

- Η περιστροφή του μοτέρ μπορεί να μπλοκάρει και να σταματήσει καθώς η συσκευή χρησιμοποιείται ως τρυπάνι. Κατά την διάρκεια της λειτουργίας του δραπενοκατσάβιδου, δώστε προσοχή να μην μπλοκάρει το μοτέρ.
 - Η σφυρηλάτηση μακράς διάρκειας μπορεί να προκαλέσει το σπάσιμο της βίδας λόγω της υπερβολικής δύναμης σφίξης.
- 3. Αλλαγή ταχύτητας περιστροφής**
 Χρησιμοποιήστε το κουμπί αλλαγής για να αλλάξετε την ταχύτητα περιστροφής. Μετακινήστε το κουμπί αλλαγής προς τη διεύθυνση του βέλους (δείτε **Εικ. 6** και **7**)
 Όταν το κουμπί αλλαγής τοποθετηθεί στο "LOW",

το τρυπάνι περιστρέφεται με χαμηλή ταχύτητα. Όταν τοποθετηθεί στο "HIGH", το τρυπάνι περιστρέφεται σε υψηλή ταχύτητα.

ΠΡΟΣΟΧΗ:




- Κατά την αλλαγή της ταχύτητας περιστροφής με το κουμπί αλλαγής, επιβεβαιώστε ότι ο διακόπτης είναι κλειστός.
 Η αλλαγή της ταχύτητας καθώς το μοτέρ περιστρέφεται θα προκαλέσει ζημιά στα γρανάζια.
 - Όταν το κουμπί αλλαγής είναι τοποθετημένο στο "HIGH" (υψηλή ταχύτητα) και η θέση του καντράν του συμπλέκτη είναι στο "17" με "22", ο συμπλέκτης μπορεί να μην λειτουργήσει και το μοτέρ να μπλοκαριστεί. Σε αυτή την περίπτωση, παρακαλώ μετακινήστε το κουμπί αλλαγής στο "LOW" (χαμηλή ταχύτητα).
 - Αν το μοτέρ είναι μπλοκαρισμένο, αμέσως κλείστε το ρεύμα. Αν το μοτέρ μπλοκάρει για λίγο, το μοτέρ ή η μπαταρία μπορεί να καούν.
- 4. Σκοπός και συστάσεις για τις χρήσεις**
 Ο σκοπός χρήσης για διάφορες τύπους εργασιών βασισμένος στην μηχανική δομή αυτής της συσκευής δείχνεται στον **Πίνακα 4**.

Πίνακας 4

Εργασία		Συστάσεις
Τρυπάνισμα	Ξύλο	Χρήση για σκοπούς τρυπανίσματος.
	Ατσάλι	
	Αλουμίνιο	
Βίδωμα	Μηχανική βίδα	Χρησιμοποιείτε την λεπίδα ή την υποδοχή που ταιριάζει με την διάμετρο της βίδας.
	Ξυλόβίδα	Χρησιμοποιείτε μετά την διάνοιξη μιας δοκιμαστικής τρύπας.

5. Πώς να επιλέξετε την δύναμη σφίξης και την ταχύτητα περιστροφής

Πίνακας 5

Χρήση		Θέση καλύμματος	Επιλογή ταχύτητας περιστροφής (Θέση του κουμπιού αλλαγής)	
			LOW (Χαμηλή ταχύτητα)	HIGH (Υψηλή ταχύτητα)
Βίδωμα	Μηχανική βίδα	1 - 22	Για 4 mm ή μικρότερες διαμέτρους βιδών.	Για 6 mm ή μικρότερες διαμέτρους βιδών.
	Ξύλινη βίδα	1 - 	Για 6,8 mm ή μικρότερες ονομαστικές διαμέτρους βιδών.	Για 3,8 mm ή μικρότερες ονομαστικές διαμέτρους βιδών.
Τρυπάνισμα	Ξύλο		Για 27 mm ή μικρότερες διαμέτρους.	Για 18 mm ή μικρότερες διαμέτρους.
	Μέταλλο		Για τρυπάνισμα με μια λεπίδα κατάλληλη για εργασία σε μέταλλο.	_____

ΠΡΟΣΟΧΗ:

- Τα επιλεγμένα παραδείγματα του δείχνονται στον **Πίνακα 5** πρέπει να χρησιμοποιούνται ως γενικό πρότυπο. Επειδή χρησιμοποιούνται διαφορετικοί τύποι βιδών σφίξης και διαφορετικά υλικά στα οποία πρόκειται να σφίχτούν σε πραγματικές εργασίες, κατάλληλες προσαρμογές είναι φυσιολογικά απαραίτητες.

- Όταν χρησιμοποιείτε το δραπενοκατσάβιδο με μια μηχανική βίδα στο ΥΨΗΛΟ (υψηλή ταχύτητα), η βίδα μπορεί να πάθει ζημιά ή η λεπίδα μπορεί να χαλαρώσει επειδή η ροπή σφίξης είναι πολύ δυνατή. Χρησιμοποιήστε το δραπενοκατσάβιδο στο ΧΑΜΗΛΟ (χαμηλή ταχύτητα) όταν χρησιμοποιείτε μια μηχανική βίδα.

ΣΗΜΕΙΩΣΗ:

Η χρήση των μπαταριών EB1222HL και EB1230HL σε συνθήκη κρύου (χαμηλότερα από 0 βαθμούς Κελσίου) μπορεί μερικές φορές να προκαλέσει την ελάττωση της ροπής σφίξης και την ελάττωση της απόδοσης εργασίας. Αυτό όμως είναι ένα προσωρινό φαινόμενο, και επανέρχεται στο κανονικό όταν ζεσταθεί η μπαταρία.

6. Χρήση του διευκολυντικού γάντζου

Ο διευκολυντικός γάντζος μπορεί να τοποθετηθεί στην δεξιά ή στην αριστερή πλευρά και η γωνία μπορεί να ρυθμιστεί σε πέντε θέσεις ανάμεσα στις 0° και 80°.

(1) Χρησιμοποίηση του γάντζου

(α) Τραβήξτε το γάντζο έξω προς το μέρος σας προς τη διεύθυνση του βέλους (Α) και στρέψτε προς τη διεύθυνση του βέλους (Β). (Εικ. 8)

(β) Η γωνία μπορεί να ρυθμιστεί σε 5 βήματα (0°, 20°, 40°, 60°, 80°).

Ρυθμίστε τη γωνία του γάντζου στην επιθυμητή θέση για την χρήση.

(2) Αλλαγή της θέσης του γάντζου**ΠΡΟΣΟΧΗ:**

Η ατελής εγκατάσταση του γάντζου μπορεί να προκαλέσει σωματικό τραυματισμό κατά την χρήση.

(α) Κρατήστε γερά την κύρια μονάδα και αφαιρέστε την βίδα χρησιμοποιώντας ένα κατασβίδι με οπές στην κεφαλή ή ένα νόμισμα. (Εικ. 9).

(β) Αφαιρέστε το γάντζο και το ελατήριο (Εικ. 10).

(γ) Εγκαταστήστε το γάντζο και το ελατήριο στην άλλη πλευρά και στερεώστε με ασφάλεια με τη βίδα. (Εικ. 11)

ΣΗΜΕΙΩΣΗ:

Δώστε προσοχή στον προσανατολισμό του ελατηρίου. Τοποθετήστε το ελατήριο με τη μεγαλύτερη διάμετρο μακριά από εσάς. (Εικ. 11)

(3) Χρήση του στερεωτή της λεπίδας.**○ Εγκατάσταση της λεπίδας**

Ολιθώστε τη λεπίδα από δίπλα προς τη διεύθυνση της Εικ. 12, και μετά βάλτε τη καλά μέχρι η εσοχή στη λεπίδα να κλειδώσει στο προεξέχων τμήμα του γάντζου.

○ Αφαίρεση της λεπίδα

Κρατήστε γερά την κύρια μονάδα και τραβήξτε έξω τη λεπίδα κρατώντας την άκρη με τον αντίχειρά σας. (Εικ. 13)

ΠΡΟΣΟΧΗ:

○ Η λεπίδα μπορεί να χαλαρώσει από τον γάντζο και να προκαλέσει σωματικό τραυματισμό όταν αντιστραφεί η διεύθυνση της λεπίδας όπως φαίνεται στην Εικ. 12 ή όταν χρησιμοποιείτε το κατασβίδι με τη λεπίδα τοποθετημένη αντικανονικά.

○ Μόνο τα ΠΡΟΑΙΡΕΤΙΚΑ ΕΞΑΡΤΗΜΑΤΑ HITACHI (Αρ. Λεπίδας 2, Αρ. Κωδικού 992671, Αρ. Κωδικού 992672) συν τις λεπίδες κίνησης μπορούν να χρησιμοποιηθούν. Μην χρησιμοποιήσετε διαφορετικές λεπίδες επειδή μπορεί να μην εφαρμόζουν καλά.

7. Σύνδεση και αποσύνδεση της λεπίδας**(1) Σύνδεση της λεπίδας**

Ξεσφίξτε το βραχίονα περιστρέφοντάς τον προς τα αριστερά (προς την αριστερή διεύθυνση όπως βλέπεται από τα μπροστά) για να ανοίξει το άγκιστρο στον σφικτήρα ο οποίος δεν απαιτεί κλειδί. Μετά την τοποθέτηση μιας λεπίδας κλπ. μέσα στον

σφικτήρα που δεν απαιτεί κλειδί, σφίξτε τον βραχίονα περιστρέφοντάς τον προς τα δεξιά (προς τη δεξιά διεύθυνση όπως βλέπεται από τα μπροστά). (Βλέπε Εικ. 14).

○ Αν ο βραχίονας χαλαρώσει κατά τη λειτουργία, σφίξτε το ακόμα περισσότερο.

Η ροπή σφίξης γίνεται ισχυρότερη όταν ο βραχίονας σφίχτει επιπρόσθετα.

(2) Αποσύνδεση της λεπίδας

Ξεσφίξτε το βραχίονα περιστρέφοντάς τον προς τα αριστερά (προς την αριστερή διεύθυνση όπως βλέπεται από τα μπροστά) και μετά βγάλτε έξω την λεπίδα κλπ. (Βλέπε Εικ. 14)

ΣΗΜΕΙΩΣΗ:

Αν ο βραχίονας σφίχτει σε τέτοια κατάσταση κατά την οποία το άγκιστρο του σφικτήρα που δεν απαιτεί κλειδί ανοίχτει στο μέγιστο όριο, ένας ήχος κλικ μπορεί να συμβεί. Αυτός είναι ο ήχος που συμβαίνει κατά την αποφυγή του εξεσφιγμένου του σφικτήρα που δεν απαιτεί κλειδί, και δεν είναι δυσλειτουργία.

ΠΡΟΣΟΧΗ:

○ Όταν δεν είναι δυνατόν να χαλαρώσετε το βραχίονα, χρησιμοποιήστε μια μέγγεννη ή κάποιο ανάλογο εργαλείο για να στερεώσετε τη λεπίδα. Ρυθμίστε τον τρόπο λειτουργίας του συμπλέκτη ανάμεσα στο 1 και στο 11 και μετά περιστρέψτε το βραχίονα προς τη χαλαρή πλευρά (αριστερή πλευρά) καθώς χειρίζεστε το συμπλέκτη. Τότε θα είναι εύκολο να χαλαρώσετε το βραχίονα.

8. Αυτόματος μηχανισμός κλειδώματος του άξονα

Αυτή η συσκευή έχει ένα αυτόματο μηχανισμό κλειδώματος του άξονα για γρήγορες αλλαγές της λεπίδας.

9. Επιβεβαιώστε ότι η μπαταρία έχει στερεωθεί σωστά**10. Ελέγξτε την διεύθυνση περιστροφής**

Η λεπίδα περιστρέφεται προς τα δεξιά (καθώς βλέπετε από τη πίσω πλευρά) σπρώχνοντας την R-πλευρά του κουμπιού επιλογής. Η L-πλευρά του κουμπιού του επιλογέα σπρώχνεται για να στρέψει τη λεπίδα προς τα αριστερά. (δείτε Εικ. 15). (Το (L) και το (R) σημάδια βρίσκονται πάνω στη συσκευή.)

11. Λειτουργία διακόπτη

○ Όταν η σκανδάλη τραβηχτεί, το εργαλείο περιστρέφεται.

○ Όταν η σκανδάλη ελευθερώνεται το εργαλείο σταματά.

○ Η ταχύτητα περιστροφής της λεπίδας μπορεί να ελεγχθεί μεταβάλλοντας την απόσταση κατά την οποία τραβιέται η σκανδάλη διακόπτης. Η ταχύτητα είναι χαμηλή όταν η σκανδάλη διακόπτης τραβιέται ελαφρά και αυξάνεται καθώς η σκανδάλη διακόπτης τραβιέται περισσότερο.

ΣΗΜΕΙΩΣΗ:

○ Ένας ήχος μπιπ μπορεί να παραχθεί όταν το μοτέρ πρόκειται να περιστραφεί. Αυτό είναι μόνο ένας ήχος, όχι μηχανική βλάβη.

ΣΥΝΤΗΡΗΣΗ ΚΑΙ ΕΛΕΓΧΟΣ**1. Έλεγχος εργαλείου**

Επειδή η χρήση ενός αμβλύ εργαλείου θα χαμηλώσει την αποδοτικότητα και θα προκαλέσει την πιθανή δυσλειτουργία του μοτέρ, ακονίστε ή αντικαταστήστε το εργαλείο μόλις παρατηρηθεί φθορά.

2. Έλεγχος των βιδών στερέωσης

Τακτικά ελέγχετε όλες τις βίδες στερέωσης και σιγουρευτείτε ότι είναι κατάλληλα σφινγμένες. Σε περίπτωση που κάποιες από τις βίδες χαλαρώσουν, ξανασφίξτε τις αμέσως. Αν δεν το κάνετε αυτό μπορεί να προκληθεί σοβαρός κίνδυνος.

3. Συντήρηση του μοτέρ

Η περιέλιξη στη μονάδα του μοτέρ είναι η καρδιά του ηλεκτρικού εργαλείου.

Δώστε μεγάλη προσοχή για να διασφαλίσετε ότι η περιέλιξη δεν θα πάθει ζημιά και / ή θα βραχεί με λάδι ή νερό.

4. Έλεγχος στα καρβουνάκια (Εικ. 16)

Το μοτέρ χρησιμοποιεί καρβουνάκια τα οποία είναι αναλώσιμα μέρη. Επειδή ένα υπερβολικό φθαρμένο καρβουνάκι μπορεί να δημιουργήσει πρόβλημα στο μοτέρ, αντικαταστήστε το καρβουνάκι με καινούργιο όταν φθαρεί ή όταν φθάσει κοντά στο “όριο φθοράς”. Επιπρόσθετα πάντοτε να κρατάτε τα καρβουνάκια καθαρά και εξασφαλίστε ότι ολισθαίνουν ελεύθερα μέσα στις θήκες.

ΣΗΜΕΙΩΣΗ:

Όταν αντικαθιστάτε το καρβουνάκι με ένα καινούργιο, βεβαιωθείτε να χρησιμοποιήσετε το Καρβουνάκι της Hitachi με Αρ. Κωδικού 999054.

5. Αντικατάσταση των καρβουνακίων

Βγάλετε το καρβουνάκι αφαιρώντας πρώτα το καπάκι του καρβουνακιού και μετά γαντζώστε την προεξοχή του καρβουνακιού με ένα κατσαβίδι που φέρει κεφαλή με οπές., κλπ. όπως δείχνεται στην **Εικ. 18**.

Κατά την τοποθέτηση του καρβουνακιού, επιλέξτε την διεύθυνση έτσι ώστε το καρφι στο καρβουνάκι να συμφωνεί με το τμήμα επαφής έξω από το σωλήνα της ψήκτρας. Μετά σπρώξτε το μέσα με το δάκτυλο όπως δείχνεται στην **Εικ. 19**. Τελευταία, τοποθετήστε το κάλυμμα του καρβουνακιού.

ΠΡΟΣΟΧΗ:

Να είστε απόλυτα σίγουροι ότι βάλατε το καρφι του καρβουνακιού μέσα τμήμα επαφής έξω από το σωλήνα της ψήκτρας. (Μπορείτε να βάλετε οποιοδήποτε από τα δυο καρφιά που παρέχονται.) Προσοχή πρέπει να δοθεί επειδή το οποιοδήποτε λάθος σε αυτή την εργασία μπορεί να προκαλέσει την παραμόρφωση του καρφιού και ενδέχεται να προκαλέσει πρόβλημα στο μοτέρ στο αρχικό στάδιο.

6. Καθαρισμός του εξωτερικού

Όταν το δραπανοκατσάβιδο λερωθεί, σκουπίστε με ένα μαλακό και στεγνό ύφασμα ή με ένα ύφασμα υγραμένο με σαπουνόνερο. Μην χρησιμοποιήσετε διαλυτικά που περιέχουν χλώριο, βενζίνη, ή διαλυτικά μαγιόγιάς, επειδή λειώνουν τα πλαστικά.

7. Αποθήκευση

Αποθηκεύστε το δραπανοκατσάβιδο σε ένα χώρο όπου η θερμοκρασία είναι μικρότερη από 40°C και μακριά από την πρόσβαση των παιδιών.

8. Λίστα συντήρησης των μερών

A: Αρ. Αντικειμένου

B: Αρ. Κωδικού

C: Αρ. που χρησιμοποιήθηκε

D: Παρατηρήσεις

ΠΡΟΣΟΧΗ:

Η επισκευή, η τροποποίηση και ο έλεγχος των Ηλεκτρικών Εργαλείων Hitachi πρέπει να γίνεται από ένα Εξουσιοδοτημένο κέντρο σέρβις της Hitachi.

Αυτή η Λίστα των Μερών θα είναι χρήσιμη αν παρουσιαστεί μαζί με το εργαλείο στο εξουσιοδοτημένο Κέντρο Σέρβις της Hitachi όταν ζητάτε επισκευή ή κάποια άλλη συντήρηση.

Κατά τον έλεγχο και τη συντήρηση των ηλεκτρικών εργαλείων, οι κανόνες ασφαλείας και οι κανονισμοί που υπάρχουν σε κάθε χώρα πρέπει να ακολουθούνται.

ΤΡΟΠΟΠΟΙΗΣΗ:

Τα Ηλεκτρικά Εργαλεία Hitachi βελτιώνονται συνεχώς και τροποποιούνται για να συμπεριλάβουν τις τελευταίες τεχνολογικές προόδους.

Κατά συνέπεια, ορισμένα τμήματα (δηλ. κωδικό αριθμού και / ή σχεδιασμός) μπορούν να αλλάξουν χωρίς προηγούμενη ειδοποίηση.

ΣΗΜΕΙΩΣΗ:

Εξαιτίας του συνεχιζόμενου προγράμματος έρευνας και ανάπτυξης της Hitachi τα τεχνικά χαρακτηριστικά που εδώ αναφέρονται μπορούν να αλλάξουν χωρίς προηγούμενη ειδοποίηση.

Πληροφορίες που αφορούν τον εκπεμπόμενο θόρυβο και τη δόνηση

Οι τιμές μετρήθηκαν σύμφωνα με το EN50144.

Ένα τυπικό επίπεδο πίεσης ήχου A :

70 dB (A).

Φοράτε προστατευτικά αυτιών.

Η τυπική τιμή ρίζας μέσης τετραγωνικής επιτάχυνσης: 2,0 m/s².

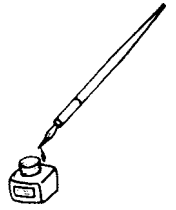
<p>English</p> <p><u>GUARANTEE CERTIFICATE</u></p> <p>① Model No. ② Serial No. ③ Date of Purchase ④ Customer Name and Address ⑤ Dealer Name and Address (Please stamp dealer name and address)</p>	<p>Nederlands</p> <p><u>GARANTIEBEWIJS</u></p> <p>① Modelnummer ② Serienummer ③ Datum van aankoop ④ Naam en adres van de gebruiker ⑤ Naam en adres van de handelaar (Stempel a.u.b. naam en adres vande de handelaar)</p>
<p>Deutsch</p> <p><u>GARANTIESCHEIN</u></p> <p>① Modell-Nr. ② Serien-Nr. ③ Kaufdatum ④ Name und Anschrift des Kunden ⑤ Name und Anschrift des Händlers (Bitte mit Namen und Anschrift des Handlers abstempeln)</p>	<p>Español</p> <p><u>CERTIFICADO DE GARANTIA</u></p> <p>① Número de modelo ② Número de serie ③ Fecha de adquisición ④ Nombre y dirección del cliente ⑤ Nombre y dirección del distribuidor (Se ruega poner el sellú del distribuidor con su nombre y dirección)</p>
<p>Français</p> <p><u>CERTIFICAT DE GARANTIE</u></p> <p>① No. de modèle ② No de série ③ Date d'achat ④ Nom et adresse du client ⑤ Nom et adresse du revendeur (Cachet portant le nom et l'adresse du revendeur)</p>	<p>Português</p> <p><u>CETTIFICADO DE GARANTIA</u></p> <p>① Número do modelo ② Número do série ③ Data de compra ④ Nome e morada do cliente ⑤ Nome e morada do distribuidor (Por favor, carimbe o nome e morada do distribuidor)</p>
<p>Italiano</p> <p><u>CERTIFICATO DI GARANZIA</u></p> <p>① Modello ② N° di serie ③ Data di acquisto ④ Nome e indirizzo dell'acquirente ⑤ Nome e indirizzo del rivenditore (Si prega di apporre il timbro con questi dati)</p>	<p>Ελληνικά</p> <p><u>ΠΙΣΤΟΠΟΙΗΤΙΚΟ ΕΓΓΥΗΣΗΣ</u></p> <p>① Αρ. Μοντέλου ② Αύξων Αρ. ③ Ημερομηνία αγοράς ④ Όνομα και διεύθυνση πελάτη ⑤ Όνομα και διεύθυνση μεταπωλητή (Παρακαλούμε να χρησιμοποιηθεί σφραγιδα)</p>

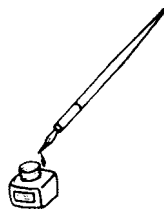


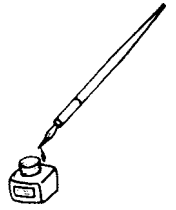
HITACHI

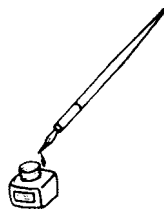
①	
②	
③	
④	
⑤	

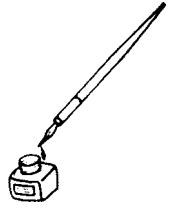












<p>English</p> <p>EC DECLARATION OF CONFORMITY</p> <p>We declare under our sole responsibility that this product is in conformity with standards or standardized documents EN50144 and EN55014-2 in accordance with Council Directives 89/336/EEC and 98/37/EC.</p> <p>This declaration is applicable to the product affixed CE marking.</p>	<p>Nederlands</p> <p>EC VERKLARING VAN CONFORMITEIT</p> <p>Wij verklaren onder eigen verantwoordelijkheid dat dit produkt conform de richtlijnen of gestandaardiseerde documenten EN50144 en EN55014-2 voldoet aan de eisen van EEG Bepalingen 89/336/EEG en 98/37/EC.</p> <p>Deze verklaring is van toepassing op produkten voorzien van de CE-markeringen.</p>
<p>Deutsch</p> <p>ERKLÄRUNG ZUR KONFORMITÄT MIT CE-REGELN</p> <p>Wir erklären mit alleiniger Verantwortung, daß dieses Produkt den Standards oder standardisierten Dokumenten EN50144 und EN55014-2 in Übereinstimmung mit den Direktiven des Europarats 89/336/EWG und 98/37/CE entspricht.</p> <p>Diese Erklärung gilt für Produkte, die die CE-Markierung tragen.</p>	<p>Español</p> <p>DECLARACIÓN DE CONFORMIDAD DE LA CE</p> <p>Declaramos bajo nuestra única responsabilidad que este producto está de acuerdo con las normas o con los documentos de normalización EN50144 y EN55014-2 según indican las Directrices del Consejo 89/336/CEE y 98/37/CE.</p> <p>Esta declaración se aplica a los productos con marcas de la CE.</p>
<p>Français</p> <p>DECLARATION DE CONFORMITE CE</p> <p>Nous déclarons sous notre seule et entière responsabilité que ce produit est conforme aux normes ou documents normalisés EN50144 et EN55014-2 en accord avec les Directives 89/336/CEE et 98/37/CE du Conseil.</p> <p>Cette déclaration s'applique aux produits désignés CE.</p>	<p>Português</p> <p>DECLARAÇÃO DE CONFORMIDADE CE</p> <p>Declaramos, sob nossa única e inteira responsabilidade, que este produto está de acordo com as normas ou documentos normativos EN50144 e EN55014-2 em conformidade com as Diretrizes 89/336/CEE e 98/37/CE do Conselho.</p> <p>Esta declaração se aplica aos produtos designados CE.</p>
<p>Italiano</p> <p>DICHIARAZIONE DI CONFORMITÀ CE</p> <p>Si dichiara sotto nostra responsabilità che questo prodotto è conforme agli standard o ai documenti standardizzati EN50144 e EN55014-2 conforme alle direttive 89/336/CEE e 98/37/CE del concilio.</p> <p>Questa dichiarazione è applicabile ai prodotti cui sono applicati i marchi CE.</p>	<p>Ελληνικά</p> <p>ΕΚ ΔΗΛΩΣΗ ΕΝΑΡΜΟΝΙΣΜΟΥ</p> <p>Δηλώνουμε με απόλυτη υπευθυνότητα ότι αυτό το προϊόν είναι εναρμονισμένο με τα πρότυπα ή τα έγγραφα προτύπων EN50144 και EN55014-2 σε συμφωνία με τις Οδηγίες του Συμβουλίου 89/336/ΕΟΚ και 98/37/ΕΚ.</p> <p>Αυτή η δήλωση ισχύει στο προϊόν με το σημάδι EC.</p>
<div style="display: flex; justify-content: space-between; align-items: flex-start;"> <div style="width: 60%;"> <p>Representative office in Europe Hitachi Power Tools Europe GmbH Siemensring 34, 47877 Willich 1, F. R. Germany</p> <p>Head office in Japan Hitachi Koki Co., Ltd. Shinagawa Intercity Tower A, 15-1, Konan 2-chome, Minato-ku, Tokyo, Japan</p> </div> <div style="width: 30%; text-align: center;">  <p>29. 8. 2003</p>  <hr/> <p>K. Kato Board Director</p> </div> </div>	

 **Hitachi Koki Co., Ltd.**