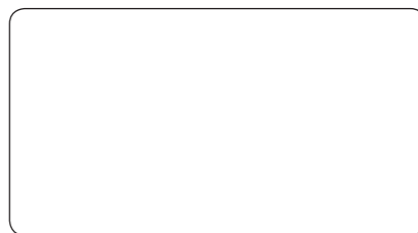
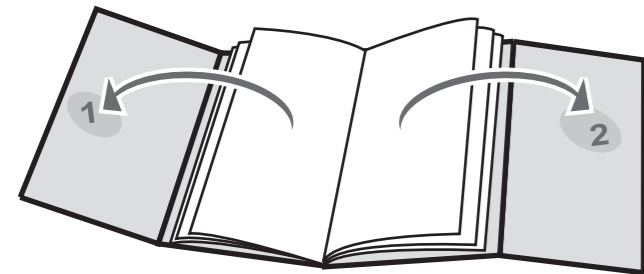




**POWER
TOOLS**



www.sparkygroup.com

159709

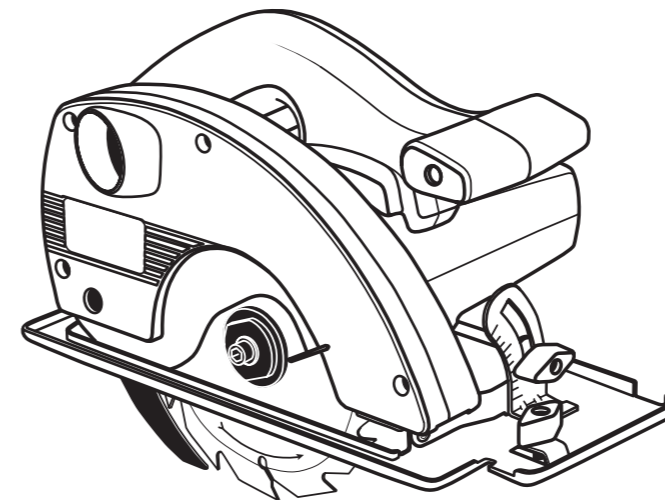
1112R01

©2011 SPARKY

SPARKY

www.sparkygroup.com

(EN)	CIRCULAR SAW Original instructions	1 – 9
(DE)	KREISSÄGE Originalbetriebsanleitung	10 – 19
(FR)	SCIE CIRCULAIRE Notice originale	20 – 28
(RU)	ДИСКОВАЯ ПИЛА Оригинальная инструкция по эксплуатации	29 – 38
(BG)	ЦИРКУЛЯРЕН ТРИОН Оригинална инструкция за използване	39 – 48



800 W

TK 50



(EN) DECLARATION OF CONFORMITY

We declare under our sole responsibility that this product is in conformity with the provisions of the following directives and the corresponding harmonized standards:
2006/42/EC, 2004/108/EC, EN 60745-1, EN 60745-2-5, EN 55014-1, EN 55014-2, EN 61000-3-2, EN 61000-3-3.
Technical file is stored at SPARKY ELTOS AG, Koubrat Str. 9, 5500 Lovetch, Bulgaria.

(DE) KONFORMITÄTSERKLÄRUNG

Hiermit versichern wir unsere persönliche Haftung, daß dieses Erzeugnis den Anordnungen folgender Richtlinien und entsprechender harmonisierter Standards entspricht:
2006/42/EC, 2004/108/EC, EN 60745-1, EN 60745-2-5, EN 55014-1, EN 55014-2, EN 61000-3-2, EN 61000-3-3.
Die technischen Unterlagen werden bei SPARKY ELTOS AG, Kubrat Str.9, 5500 Lovetch, Bulgarien, aufbewahrt.

(FR) DECLARATION DE CONFORMITE

Nous déclarons sous notre propre responsabilité que ce produit est conforme aux directives, respectivement les standards harmonisés:
2006/42/EC, 2004/108/EC, EN 60745-1, EN 60745-2-5, EN 55014-1, EN 55014-2, EN 61000-3-2, EN 61000-3-3.
Le dossier technique est conservé par SPARKY ELTOS AD, 9, rue Kubrat, Lovech, Bulgarie.

(RU) ДЕКЛАРАЦИЯ О СООТВЕТСТВИИ

Мы заявляем нашу личную ответственность за соответствие данного изделия нижеперечисленным директивам и соответствующим унифицированным стандартам:
2006/42/EC, 2004/108/EC, EN 60745-1, EN 60745-2-5, EN 55014-1, EN 55014-2, EN 61000-3-2, EN 61000-3-3.
Техническое досье хранится в СПАРКИ ЕЛТОС АД, ул. Кубрат №9, 5500 Ловеч, България.

(BG) ДЕКЛАРАЦИЯ ЗА СЪОТВЕТСТВИЕ

Ние декларираме нашата лична отговорност, че това изделие е в съответствие с разпоредбите на следните директиви, съответно хармонизирани стандарти:
2006/42/EC, 2004/108/EC, EN 60745-1, EN 60745-2-5, EN 55014-1, EN 55014-2, EN 61000-3-2, EN 61000-3-3.
Техническото досие се съхранява в СПАРКИ ЕЛТОС АД, ул. Кубрат №9, 5500 Ловеч, България.

SPARKY Power Tools GmbH
Leipziger Str. 20
10117 Berlin, DEUTSCHLAND
Geschäftsführer Dipl.-Kfm., Dipl.-Ing. Stanislav Petkov

27.04.2011



ЕО ДЕКЛАРАЦИЯ ЗА СЪОТВЕТСТВИЕ

Ние декларираме нашата отговорност, че изделието:

**ЦИРКУЛЯРЕН ТРИОН
TK 50**

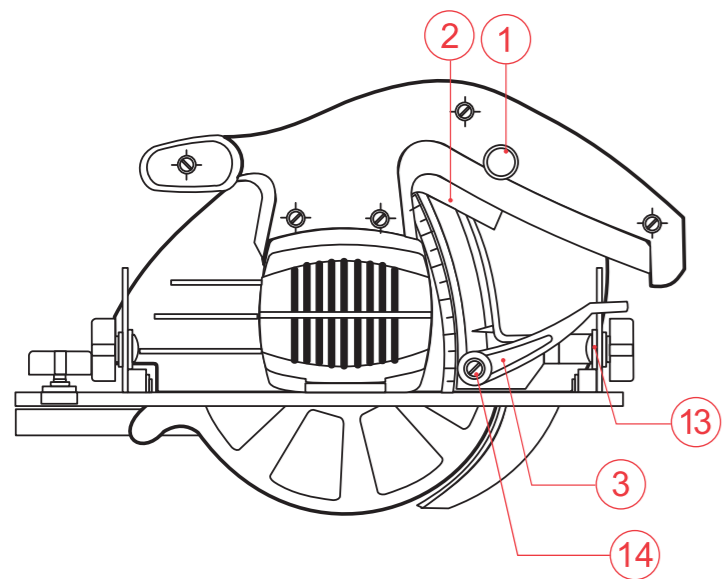
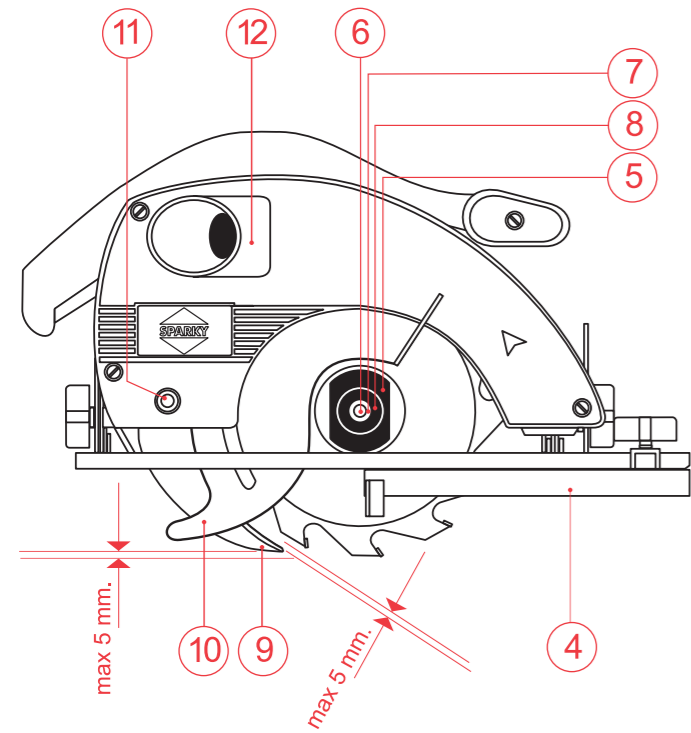
съответства на изискванията на следните наредби:

- Наредба за съществените изисквания и оценяване съответствието на машините – приета с ПМС № 140 от 19.06.2008 г.,
- Наредба за съществените изисквания и оценяване на съответствието за електромагнитна съвместимост – приета с ПМС № 76 от 6.04.2007 г.,

както и на следните БДС, въвели европейски хармонизирани стандарти:
БДС EN 60745-1, БДС EN 60745-2-5, БДС EN 55014-1, БДС EN 55014-2, БДС EN 61000-3-2, БДС EN 61000-3-3.
Техническото досие се съхранява в СПАРКИ ЕЛТОС АД, ул. Кубрат №9, 5500 Ловеч, България.

SPARKY Power Tools GmbH
Leipziger Str. 20
10117 Berlin, GERMANY
27.04.2011

инж. Станислав Петков
Управител



Contents

I - Introduction	1
II - Technical specifications	3
III - General power tool safety warnings	4
IV - Circular saw safety warnings	5
V - Know your product	A/6
VI - Operation	B/6
VII - Maintenance	7
VIII - Warranty	8

UNPACKING

Due to modern mass production techniques, it is unlikely that your power tool is faulty or that a part is missing. If you find anything wrong, do not operate the tool until the parts have been replaced or the fault has been rectified. Failure to do so could result in serious personal injury.

ASSEMBLY

The circular saw is packed, fully assembled except for the dust extraction adapter and parallel guide.

I - Introduction

Your new SPARKY power tool will more than satisfy your expectations. It has been manufactured under stringent SPARKY Quality Standards to meet superior performance criteria. You will find your new tool easy and safe to operate, and, with proper care, it will give you many years of dependable service.

WARNING:



Carefully read through this entire Original Instructions before using your new SPARKY power tool. Take special care to heed the Warnings. Your SPARKY power tool has many features that will make your job faster and easier. Safety, performance, and dependability have been given top priority in the development of this tool, making it easy to maintain and operate.



Do not dispose of electric tools together with household waste!

Waste electrical products should not be disposed of with household waste. Please recycle where facilities exist. Check with your local authority or retailer for recycling advice.

ENVIRONMENTAL PROTECTION



The machine, accessories and packaging should be sorted for environmental-friendly recycling.

The plastic components are labelled for categorised recycling.

DESCRIPTION OF SYMBOLS

The rating plate on your power tool may show symbols. These represent important information about the product or instructions on its use.



Double insulated for additional protection.



Bevel cutting.



Connection to vacuum cleaner.



Conforms to relevant European safety standards.



Conforms to the requirements of Russian standards.




Refer to Original Instructions.

YYWww

Production period, where the variable symbols are:
YY- last two digits of the year of manufacture,
ww - calendar week number.

II - Technical specifications

Model	TK 50
Power input	800 W
No load speed	5800 min ⁻¹
Max cutting capacity:	blade Ø150 mm
at 90°	50 mm
at 45°	32 mm
Max blade dia.	150 mm
Min blade dia.	140 mm
Blade arbour	20 mm
Weight (EPTA Procedure 01/2003)	3.3 kg
Protection class (EN 60745-1) 	II

NOISE AND VIBRATION INFORMATION

Measured values determined according to EN 60745.

Noise emission

A-weighted sound pressure level L _{pA}	97.0 dB (A)
Uncertainty K _A	3.0 dB (A)
A-weighted sound power level L _{WA}	108.0 dB (A)
Uncertainty K _{WA}	3.0 dB (A)

Wear hearing protection!

Vibration emission *

Total vibration values (vector sum in the three axes) determined according to EN 60745:	
Cutting wood	
Vibration emission value a _n	4.5 m/s ²
Uncertainty K	1.5 m/s ²

* The vibration emission values are determined according to 6.2.7 EN 60745-1.

The vibration emission level given in this information sheet has been measured in accordance with a standardised test given in EN 60745 and may be used to compare one tool with another. It may be used for a preliminary assessment of exposure.

The declared vibration emission level represents the main applications of the tool. However if the tool is used for different applications, with different accessories or poorly maintained, the vibration emission may differ. This may significantly increase the exposure level over the total working period.

An estimation of the level of exposure to vibration should also take into account the times when the tool is switched off or when it is running but not actually doing the job. This may significantly reduce the exposure level over the total working period.

Maintain the power tool and the accessories and keep your hands warm during operation to reduce the harmful effect of vibrations.

Dust from material such as paint containing lead, some wood species, minerals and metal may be harmful. Contact with or inhalation of the dust may cause allergic reactions and/or respiratory diseases to the operator or bystanders.

Certain kinds of dust are classified as carcinogenic such as oak and beech dust especially in conjunction with additives for wood conditioning (chromate, wood preservative). Material containing asbestos must only be treated by specialists.

- Where the use of a dust extraction device is possible it shall be used.
- To achieve a high level of dust collection, use vacuum cleaner for wood or for wood and/or minerals together with this tool.
- The work place must be well ventilated.
- The use of a dust mask of filter class P2 is recommended.

Follow national requirements for the materials you want to work with.

III - General power tool safety warnings



WARNING! Read all safety warnings and all instructions. Failure to follow the warnings and instructions may result in electric shock, fire and/or serious injury.

Save all warnings and instructions for future reference.

The term “power tool” in the warnings refers to your mains-operated (corded) power tool or battery-operated (cordless) power tool.

1) Work area safety

- a) **Keep work area clean and well lit.** Cluttered or dark areas invite accidents.
- b) **Do not operate power tools in explosive atmospheres, such as in the presence of flammable liquids, gases or dust.** Power tools create sparks which may ignite the dust or fumes.
- c) **Keep children and bystanders away while operating a power tool.** Distractions can cause you to lose control.

2) Electrical safety

- a) **Power tool plugs must match the outlet. Never modify the plug in any way. Do not use any adapter plugs with earthed (grounded) power tools.** Unmodified plugs and matching outlets will reduce risk of electric shock.
- b) **Avoid body contact with earthed or grounded surfaces, such as pipes, radiators, ranges and refrigerators.** There is an increased risk of electric shock if your body is earthed or grounded.
- c) **Do not expose power tools to rain or wet conditions.** Water entering a power tool will increase the risk of electric shock.
- d) **Do not abuse the cord. Never use the cord for carrying, pulling or unplugging the power tool. Keep cord away from heat, oil, sharp edges or moving parts.** Damaged or entangled cords increase the risk of electric shock.
- e) **When operating a power tool outdoors, use an extension cord suitable for outdoor use.** Use of a cord suitable for outdoor use reduces the risk of electric shock.
- f) **If operating a power tool in a damp location is unavoidable, use a residual current device (RCD) protected supply.**

Use of an RCD reduces the risk of electric shock.

3) Personal safety

- a) **Stay alert, watch what you are doing and use common sense when operating a power tool. Do not use a power tool while you are tired or under the influence of drugs, alcohol or medication.** A moment of inattention while operating power tools may result in serious personal injury.
- b) **Use personal protective equipment. Always wear eye protection.** Protective equipment such as dust mask, non-skid safety shoes, hard hat, or hearing protection used for appropriate conditions will reduce personal injuries.
- c) **Prevent unintentional starting. Ensure the switch is in the off-position before connecting to power source and/or battery pack, picking up or carrying the tool.** Carrying power tools with your finger on the switch or energising power tools that have the switch on invites accidents.
- d) **Remove any adjusting key or wrench before turning the power tool on.** A wrench or a key left attached to a rotating part of the power tool may result in personal injury.
- e) **Do not overreach. Keep proper footing and balance at all times.** This enables better control of the power tool in unexpected situations.
- f) **Dress properly. Do not wear loose clothing or jewellery. Keep your hair, clothing and gloves away from moving parts.** Loose clothes, jewellery or long hair can be caught in moving parts.
- g) **If devices are provided for the connection of dust extraction and collection facilities, ensure these are connected and properly used.** Use of dust collection can reduce dust-related hazards.

4) Power tool use and care

- a) **Do not force the power tool. Use the correct power tool for your application.** The correct power tool will do the job better and safer at the rate for which it was designed.
- b) **Do not use the power tool if the switch does not turn it on and off.** Any power tool that cannot be controlled with the switch is dangerous and must be repaired.
- c) **Disconnect the plug from the power source and/or the battery pack from the power tool before making any adjustments, changing accessories, or storing power tools.** Such preventive safety meas-

ures reduce the risk of starting the power tool accidentally.

- d) **Store idle power tools out of the reach of children and do not allow persons unfamiliar with the power tool or these instructions to operate the power tool.** *Power tools are dangerous in the hands of untrained users.*
- e) **Maintain power tools. Check for misalignment or binding of moving parts, breakage of parts and any other condition that may affect the power tool's operation. If damaged, have the power tool repaired before use.** *Many accidents are caused by poorly maintained power tools.*
- f) **Keep cutting tools sharp and clean.** *Properly maintained cutting tools with sharp cutting edges are less likely to bind and are easier to control.*
- g) **Use the power tool, accessories and tool bits etc. in accordance with these instructions, taking into account the working conditions and the work to be performed.** *Use of the power tool for operations different from those intended could result in a hazardous situation.*

5) Service

- a) **Have your power tool serviced by a qualified repair person using only identical replacement parts.** *This will ensure that the safety of the power tool is maintained.*

IV - Circular saw safety warnings



Wear hearing protection during continuous operation. *Exposure to noise can cause hearing loss.*

- **Use the auxiliary handle supplied with the machine.** *Loss of control can cause personal injury.*



During operation provide eye protection to prevent eyes from exposure to flying particles. Wear goggles.



Take protective measures against inhalation of dust. Some materials can contain toxic ingredients. *Wear a dust mask and work with dust/chip extraction when connectable.*

- **Hold the power tool by insulated gripping surfaces only, when performing an operation where the cutting accessory may**

contact hidden wiring or its own cord. *Cutting accessory contacting a "live" wire may make exposed metal parts of the power tool "live" and could give the operator an electric shock.*

- Do not process materials containing asbestos. Asbestos is considered carcinogenic.
- Use of protective gloves is recommended.



WARNING: Before connecting a tool to a power source be sure that the voltage supply is the same as that specified on the nameplate of the tool.

- A power source with a voltage greater than that specified for the tool can result in serious injury to the user, as well as damage to the tool.
- If in doubt, do not plug in the tool.
- Using a power source with a voltage less than the nameplate rating is harmful to the motor.
- Fully unwind cable drum extensions to avoid potential overheating.
- When an extension cable is required, you must ensure that it has the right ampere rating for your power tool and it is in safe electrical condition.



WARNING: Always switch off and unplug the power tool prior to any adjustment, servicing or maintenance or in case of mains drop-out.

- Prior to operation remove all nails, screws and other objects from the work piece. You may damage the saw blade and the machine by cutting into a nail or other metal. It can also present a safety hazard.
- Use clamps or a vice to secure your work whenever possible.
- Never operate the power tool under load. Make sure that the saw blade is not in contact with the work piece when you switch the machine on.
- While operating the machine, always hold it firmly with both hands and provide for a secure stance. The power tool is guided more securely with both hands.
- Always switch off and wait until the saw blade has come to a complete standstill before removing the machine from the work piece.
- Never apply side pressure to stop the blade rotation after switching off the saw.
- Do not touch the saw blade immediately after

operation. It may be extremely hot and could burn your skin.

- Do not use blades with parameters not corresponding to those mentioned above.
- Do not use dull or damaged blades. Unsharpened or improperly set blades produce narrow kerf causing excessive friction, blade binding and kickback.
- Do not use blades which body is thicker and teeth set thinner than the slotting knife thickness 2 mm.
- Do not dismount the slotting knife, except when performing a "plunge cut".
- The mobile guard must not be locked in open position during the intervals between different operations.
- Upon jamming the blade, switch off the machine immediately (by releasing the switch lever).
- Support large panels to minimise the risk of blade jamming and kickback. Large panels tend to sag under their own weight. Supports must be placed under the panel on both sides, near the line of cut and near the edge of the panel.
- Rags, cloths, cord, string and the like should never be left around the work area.
- Always keep the cord away from the working area of the power tool.
- Never use the machine with a damaged cable. Do not touch the damaged cable and pull the mains plug when the cable is damaged while operating. Damaged cables increase the risk of electric shock.
- The tool must be used only for its prescribed purpose. Any use other than those mentioned in this Manual will be considered a case of misuse. The user and not the manufacturer shall be liable for any damage or injury resulting from such cases of misuse.
- To use this tool properly, you must observe the safety regulations, the assembly instructions and the operating instructions found in this Manual. All persons who use and service the machine have to be acquainted with this Manual and must be informed about its potential hazards. Children and frail people must not use this tool. Children should be supervised at all times if they are in the area in which the tool is being used. It is also imperative that you observe the accident prevention regulations in force in your area. The same applies for general rules of occupational health and safety.

- The manufacturer shall not be liable for any changes made to the tool nor for any damage resulting from such changes.
- Power tools must not be used outdoors in rainy weather, or in moist environment (after rain) or in close vicinity with easily flammable liquids and gases. The working place should be well lit.

V - Know your product

Before using the power tool, familiarize yourself with all the operating features and safety requirements.

Use the tool and accessories only for the applications intended. All other applications are expressly ruled out.

1. ON/OFF switch locking button
2. ON/OFF switch lever
3. Lever for fixing the cutting depth / ruler
4. Parallel guide/ruler
5. Thrust washer
6. Blade tightening screw
7. Washer
8. Clamping washer
9. Slotting knife
10. Mobile guard
11. Screw for fixing the slotting knife
12. Chip deflection nozzle
13. Nut for adjusting bevel cutting/ruler
14. Fixing screw

VI - Operation

This power tool is supplied from single-phase alternating current mains only. It is double insulated according to EN 60745-1 and IEC 60745 and can be connected to grounded or not grounded sockets. This power tool is radio suppressed in compliance with EMC Directive 2004/108/EC.

This power tool is designed for longitudinal and cross sawing wood in a straight line at bevel angle from 0° to 45°.

PRIOR TO INITIAL OPERATION

- Make sure the power supply voltage corresponds to the value indicated on the name plate with technical data of the tool.
- Always check the position of ON/OFF switch. The power tool must be connected to the power supply socket only when this switch is in OFF position. If the plug is connected to a receptacle while the power switch is in the

ON position, the power tool will start operating immediately, which could cause a serious accident.

- Make sure that the cord and the plug are in order. If the replacement of the supply cord is necessary, this has to be done by the manufacturer or his agent in order to avoid a safety hazard.
- Always inspect the blade. Use only well ground blades. Never use blades with cracks and indents or HSS-blades.
- The slotting knife must not touch the blade.
- Check if the mobile guard moves freely.
- Make sure the work piece or the material is well secured.



WARNING: Always switch off and unplug the power tool prior to any adjustment, servicing or maintenance or in case of mains drop-out.

SWITCHING ON - SWITCHING OFF

- Switching on: press locking button 1 and then the lever of ON/OFF switch 2.
- Switching off: release the lever of ON/OFF switch 2.

MOUNTING THE BLADE



WARNING: Draw the plug out of mains socket!

The blade is covered by mobile guard 10 at rest and during work. Turn the guard over and hold in this position. Unscrew by Allen key screw 6, while detaining clamping washer 8 by a spanner or by placing the blade upon wood. Dismount washer 8 and blade. Mounting the blade is achieved in reverse order. The supporting surfaces of thrust washer 5, blade and clamping washer 8 must be clean. The directions of arrows on the blade and the immobile guard must correspond.

ADJUSTING THE SLOTTING KNIFE

Slotting knife 9 prevents jamming the blade. It should be adjusted so that the distance to top of teeth and cutting depth must not exceed 5 mm (see the drawing). Tighten the slotting knife by Allen-head screw 11 on the rear of the immobile guard.

ADJUSTING THE CUTTING DEPTH

Choose cutting depth 5 mm bigger than material thickness. Loosen lever 3, adjust the cutting depth by ruler 3 and tighten the lever back. If necessary, adjust the fixing unit.

ADJUSTING THE FIXING

Unscrew the fixing screw 14. Remove lever 3 from the grooves. Place lever 3 back in position, rotated counter-clockwise towards its initial position. Assemble in reverse order and tighten the fixing screw 14.

ADJUSTING BEVEL CUTTING

Loosen wing nut 13, adjust the cutting angle according to ruler 13 and tighten wing nut 13 again.

CUTTING INDICATOR

The right slot in the saw base on the side of the parallel guide is used as an indicator when cutting vertically, and the left slot - when the blade is inclined at 45°. A test cut is recommended.

PARALLEL GUIDE

Guide 4 is used when cutting parallel to the edge of a shaped part. Cutting width is adjusted by ruler 4. The wing nut should be well tightened.

ACCESSORIES TO BE USED WITH THIS POWER TOOL

- Carbide-tipped blade
- Blade diameter - Ømax150 mm
- Blade arbour - Ø20 mm

VII - Maintenance



WARNING: Always ensure that the tool is switched off and unplugged before attempting to perform inspection or maintenance.

BRUSH REPLACEMENT

This power tool is equipped with auto-stop brushes. When the carbon brushes are worn out, the machine switches itself off. In this case both brushes must be replaced simultaneously with genuine brushes at SPARKY service centre for warranty and post-warranty service.

GENERAL INSPECTION

Regularly inspect all fasteners and ensure they are properly tightened. Should any of the screws be loose, retighten it immediately to avoid hazards.

If the replacement of the supply cord is necessary, this has to be done by the manufacturer or his agent in order to avoid a safety hazard.

CLEANING

For safe operation always keep the machine and its ventilation slots clean.

Regularly check to see if any dust or foreign matter has entered the ventilation slots and the grills around the switches. Use a soft brush and/or air jet to remove any accumulated dust. Wear safety glasses to protect your eyes whilst cleaning.

Exterior plastic parts may be cleaned with a damp cloth and mild detergent if necessary.



WARNING: Never use alcohol, petrol or other cleaning agent. Never use caustic agents to clean plastic parts.



WARNING: Water must never come into contact with the tool.

IMPORTANT! To assure product safety and reliability, repairs, maintenance and adjustment (including brush inspection and replacement) should be performed by certified service centres or other qualified service organisations, always using genuine replacement parts.

VIII - Warranty

The guarantee period for SPARKY power tools is determined in the guarantee card.

Faults due to normal wear, overloading or improper handling will be excluded from the guarantee.

Faults due to defective materials implemented as well as defects in workmanship will be corrected free of charge through replacement or repair.

The complaints for defective SPARKY power tools will be recognized if the machine is sent back to the dealer or is presented to the authorised warranty service centre undismantled, in its initial condition.

Notes

Carefully read the entire instruction before using this product.

The manufacturer reserves the right to make changes and improvements to the products and to alter specifications without prior notice.

Specifications may differ from country to country.

Inhaltsverzeichnis

I - Einführung	9
II - Technische Daten.....	11
III - Allgemeine Sicherheitshinweise für Elektrowerkzeuge.....	12
IV - Sicherheitshinweise für Kreissägen	13
V - Elemente des Elektrowerkzeugs.....	A/15
VI - Arbeitshinweise	B/15
VII - Wartung	16
VIII - Garantie	17

AUSPACKEN

Überprüfen Sie unmittelbar nach dem Auspacken ob sämtliche Bestandteile und das beschriebene Zubehör mitgeliefert wurden. Sollte dies nicht der Fall sein, wenden Sie sich bitte umgehend an Ihren Fachhändler bei dem das Elektrowerkzeug gekauft wurde. Dies trifft auch dann zu, wenn Sie den Eindruck haben mit dem Gerät ist etwas nicht in Ordnung. Eine Nichtbeachtung dieser Empfehlung kann zu schweren Unfällen führen.

MONTAGE

Die Kreissäge wird verpackt und zusammengebaut geliefert, mit Ausnahme des Absaugadapters und des Parallelanschlages.

I - Einführung

Das von Ihnen erworbene Elektrowerkzeug wird Ihre Erwartungen übersteigen. Es ist gemäß den hohen Qualitätsstandards von SPARKY hergestellt, die den strengen Anforderungen des Verbrauchers entsprechen. Einfach in der Bedienung und ungefährlich bei richtiger Handhabung, wird dieses Gerät bei bestimmungsgemäßem Gebrauch Ihnen lange Jahre zuverlässig dienen.

WARNUNG!



Lesen Sie die ganze Originalbetriebsanleitung aufmerksam durch, bevor Sie das neu erworbene SPARKY – Elektrowerkzeug in Betrieb nehmen. Beachten Sie besonders die Texte, die mit dem Wört „Warnung“ beginnen. Ihr SPARKY - Elektrowerkzeug besitzt viele Eigenschaften, die Ihre Arbeit erleichtern werden. Bei der Entwicklung dieses Elektrowerkzeuges ist höchste Aufmerksamkeit der Sicherheit, den Betriebseigenschaften und der Zuverlässigkeit gewidmet worden, die es einfach zur Wartung und Bedienung machen.



Keine elektrischen Geräte zusammen mit dem Hausmüll wegwerfen!

Die Abfälle von elektrischen Erzeugnissen sollen nicht zusammen mit dem Hausmüll gesammelt werden. Für eine umweltgerechte Entsorgung geben Sie Ihren alten / defekten Elektrogeräte bitte in der nächsten kommunalen Sammelstelle ab.

UMWELTSCHUTZ



Angesichts des Umweltschutzes sollen das Elektrowerkzeug, die Zubehörteile und die Verpackung einer geeigneten Wiederverwertung zugeführt werden. Zum sortenreinen Recycling sind die Teile, hergestellt aus Kunststoffen, entsprechend gekennzeichnet.

BEDEUTUNG DER SYMBOLE

Auf dem Typenschild des Elektrowerkzeuges sind spezielle Symbole dargestellt. Sie stellen wichtige Information über das Produkt oder Instruktionen für seine Nutzung dar.



Doppelte Isolierung für zusätzlichen Schutz.



Schrägschneiden.



Staubsaugeranschluß.



Entspricht den Europäischen Sicherheitsstandards.



Entspricht den Anforderungen der russischen normativen Dokumente.




Lesen Sie die Originalbetriebsanleitung.

YYWww

Zeitabschnitt der Produktion, wobei die variablen Symbole sind:
YY- letzte zwei Ziffern des Kalenderjahres der Produktion,
ww - laufende Kalenderwoche.

II - Technische Daten

Modell	TK 50
Nennaufnahme	800 W
Leerlaufdrehzahl	5800 min ⁻¹
Schnitttiefe:	Sägeblatt Ø150 mm
bei 90°	50 mm
bei 45°	32 mm
Max. Durchmesser des Sägeblatts	150 mm
Min. Durchmesser des Sägeblatts	140 mm
Sägeblattbohrungsdurchmesser	20 mm
Gewicht (EPTA Verfahren 01/2003)	3.3 kg
Schutzklasse (EN 60745-1) 	II

GERÄUSCH-/VIBRATIONSINFORMATION

Messwerte ermittelt entsprechend EN 60745.

Geräuschemissionswerte

Der A-bewertete Schalldruckpegel L _{pA}	97.0 dB (A)
Unsicherheit K _{pA}	3.0 dB (A)
Der A-bewertete Schalleistungspegel L _{WA}	108.0 dB (A)
Unsicherheit K _{WA}	3.0 dB (A)

Gehörschutz tragen!

Schwingungsemissionswerte *

Schwingungsgesamtwerte (Vektorsumme dreier Richtungen) ermittelt entsprechend EN 60745:

Holz schneiden	
Schwingungsemissionswert a _n	4.5 m/s ²
Unsicherheit K	1.5 m/s ²

* Messwerte ermittelt nach 6.2.7 EN 60745-1.

Der in diesen Anweisungen angegebene Schwingungspegel ist entsprechend einem in EN 60745 genormten Messverfahren gemessen worden und kann für den Vergleich von Elektrowerkzeugen miteinander verwendet werden. Er eignet sich auch für eine vorläufige Einschätzung der Schwingungsbelastung.

Der angegebene Schwingungspegel repräsentiert die hauptsächlichsten Anwendungen des Elektrowerkzeugs. Wenn allerdings das Elektrowerkzeug für andere Anwendungen, mit abweichenden Einsatzwerkzeugen oder ungenügender Wartung eingesetzt wird, kann der Schwingungspegel abweichen. Dies kann die Schwingungsbelastung über den gesamten Arbeitszeitraum deutlich erhöhen.

Für eine genaue Abschätzung der Schwingungsbelastung sollten auch die Zeiten berücksichtigt werden, in denen das Gerät abgeschaltet ist oder zwar läuft, aber nicht tatsächlich im Einsatz ist. Dies kann die Schwingungsbelastung über den gesamten Arbeitszeitraum deutlich reduzieren.

Pflegen Sie das Gerät und die Einsatzwerkzeuge mit Sorgfalt. Halten Sie Ihre Hände warm während der Arbeit – dies wird die schädliche Einwirkung erhöhter Schwingungen reduzieren.

Stäube von Materialien wie bleihaltigem Anstrich, einigen Holzarten, Mineralien und Metall können gesundheitsschädlich sein. Berühren oder Einatmen der Stäube können allergische Reaktionen und/oder Atemwegserkrankungen des Benutzers oder in der Nähe befindlicher Personen hervorrufen.

Bestimmte Stäube wie Eichen- oder Buchenstaub gelten als krebserzeugend, besonders in Verbindung mit Zusatzstoffen zur Holzbehandlung (Chromat, Holzschutzmittel). Asbesthaltiges Material darf nur von Fachleuten bearbeitet werden.

- Benutzen Sie möglichst eine Staubabsaugung.
- Um bei der Arbeit mit diesem Elektrowerkzeug ein gutes Staubabfangen zu gewährleisten, benutzen Sie einen Staubabsauger, der für Holzstaub oder für Holz- und mineralischen Staub bestimmt ist.
- Sorgen Sie für gute Belüftung des Arbeitsplatzes.
- Es wird empfohlen, eine Atemschutzmaske mit Filterklasse P2 zu tragen.

Beachten Sie in Ihrem Land gültige Vorschriften für die zu bearbeitenden Materialien.

III - Allgemeine Sicherheitshinweise für Elektrowerkzeuge



WARNUNG: Lesen Sie alle Sicherheitshinweise und Anweisungen. Versäumnisse bei der Einhaltung der Sicherheitshinweise und Anweisungen können elektrischen Schlag, Brand und/oder schwere Verletzungen verursachen.

Bewahren Sie alle Sicherheitshinweise und Anweisungen für die Zukunft auf.

Der in den Sicherheitshinweisen verwendete Begriff „Elektrowerkzeug“ bezieht sich auf netzbetriebene Elektrowerkzeuge (mit Netzkabel) und auf akkubetriebene Elektrowerkzeuge (ohne Netzkabel).

1) Arbeitsplatzsicherheit

- a) Halten Sie Ihren Arbeitsbereich sauber und gut beleuchtet. Unordnung oder unbeleuchtete Arbeitsbereiche können zu Unfällen führen.
- b) Arbeiten Sie mit dem Elektrowerkzeug nicht in explosionsgefährdeter Umgebung, in der sich brennbare Flüssigkeiten, Gase oder Stäube befinden. Elektrowerkzeuge erzeugen Funken, die den Staub oder die Dämpfe entzünden können.
- c) Halten Sie Kinder und andere Personen während der Benutzung des Elektrowerkzeugs fern. Bei Ablenkung können Sie die Kontrolle über das Gerät verlieren.

2) Elektrische Sicherheit

- a) Der Anschlussstecker des Elektrowerkzeuges muss in die Steckdose passen. Der Stecker darf in keiner Weise verändert werden. Verwenden Sie keine Adapterstecker gemeinsam mit schutzgeerdeten Elektrowerkzeugen. Unveränderte Stecker und passende Steckdosen verringern das Risiko eines elektrischen Schlages.
- b) Vermeiden Sie Körperkontakt mit geerdeten Oberflächen wie von Rohren, Heizungen, Herden und Kühlschränken. Es besteht ein erhöhtes Risiko durch elektrischen Schlag, wenn Ihr Körper geerdet ist.
- c) Halten Sie Elektrowerkzeuge von Regen oder Nässe fern. Das Eindringen von Wasser in ein Elektrowerkzeug erhöht das Risiko

von einem elektrischen Schlag.

- d) Zweckentfremden Sie das Kabel nicht, um das Elektrowerkzeug zu tragen, aufzuhängen oder um den Stecker aus der Steckdose zu ziehen. Halten Sie das Kabel fern von Hitze, Öl, scharfen Kanten oder sich bewegenden Geräteteilen. Beschädigte oder verwickelte Kabel erhöhen das Risiko eines elektrischen Schlages.
- e) Wenn Sie mit einem Elektrowerkzeug im Freien arbeiten, verwenden Sie nur Verlängerungskabel, die auch für den Außenbereich geeignet sind. Die Anwendung eines für den Außenbereich geeigneten Verlängerungskabels verringert das Risiko eines elektrischen Schlages.
- f) Wenn der Betrieb des Elektrowerkzeuges in feuchter Umgebung nicht vermeidbar ist, verwenden Sie einen Fehlerstromschutzschalter. Der Einsatz eines Fehlerstromschutzschalters vermindert das Risiko eines elektrischen Schlages.

3) Sicherheit von Personen

- a) Seien Sie aufmerksam, achten Sie darauf, was Sie tun, und gehen Sie mit Vernunft an die Arbeit mit einem Elektrowerkzeug. Benutzen Sie kein Elektrowerkzeug, wenn Sie müde sind oder unter dem Einfluss von Drogen, Alkohol oder Medikamenten stehen. Ein Moment der Unachtsamkeit beim Gebrauch des Elektrowerkzeuges kann zu ernsthaften Verletzungen führen.
- b) Tragen Sie persönliche Schutzausrüstung und immer eine Schutzbrille. Das Tragen persönlicher Schutzausrüstung, wie Staubmaske, rutschfeste Sicherheitsschuhe, Schutzhelm oder Gehörschutz, je nach Art und Einsatz des Elektrowerkzeuges, verringert das Risiko von Verletzungen.
- c) Vermeiden Sie eine unbeabsichtigte Inbetriebnahme. Vergewissern Sie sich, dass das Elektrowerkzeug ausgeschaltet ist, bevor Sie es an die Stromversorgung und/oder den Akku anschließen, es aufnehmen oder tragen. Wenn Sie beim Tragen des Elektrowerkzeuges den Finger am Schalter haben oder das Gerät eingeschaltet an die Stromversorgung anschließen, kann dies zu Unfällen führen.
- d) Entfernen Sie Einstellwerkzeuge oder Schraubenschlüssel, bevor Sie das Elektrowerkzeug einschalten. Ein Werkzeug oder Schlüssel, der sich in einem drehenden Geräteteil befindet, kann zu Verletzungen führen.

- e) **Vermeiden Sie eine abnormale Körperhaltung.** Sorgen Sie für einen sicheren Stand und halten Sie jederzeit das Gleichgewicht. *Dadurch können Sie das Elektrowerkzeug in unerwarteten Situationen besser kontrollieren.*
- f) **Tragen Sie geeignete Kleidung.** Tragen Sie keine weite Kleidung oder Schmuck. Halten Sie Haare, Kleidung und Handschuhe fern von sich bewegenden Teilen. *Lockere Kleidung, Schmuck oder lange Haare können von sich bewegenden Teilen erfasst werden.*
- g) **Wenn Staubabsaug- und -auffangeinrichtungen montiert werden können, vergewissern Sie sich, dass diese angeschlossen sind und richtig verwendet werden.** *Verwendung einer Staubabsaugung kann Gefährdungen durch Staub verringern.*

4) Verwendung und Behandlung des Elektrowerkzeuges

- a) **Überlasten Sie das Gerät nicht.** Verwenden Sie für Ihre Arbeit das dafür bestimmte Elektrowerkzeug. *Mit dem passenden Elektrowerkzeug arbeiten Sie besser und sicherer im angegebenen Leistungsbereich.*
- b) **Benutzen Sie kein Elektrowerkzeug, dessen Schalter defekt ist.** *Ein Elektrowerkzeug, das sich nicht mehr ein- oder ausschalten lässt, ist gefährlich und muss repariert werden.*
- c) **Ziehen Sie den Stecker aus der Steckdose und/oder entfernen Sie den Akku, bevor Sie Geräteeinstellungen vornehmen, Zubehörteile wechseln oder das Gerät weglegen.** *Diese Vorsichtsmaßnahme verhindert den unbeabsichtigten Start des Elektrowerkzeuges.*
- d) **Bewahren Sie unbenutzte Elektrowerkzeuge außerhalb der Reichweite von Kindern auf.** Lassen Sie Personen das Gerät nicht benutzen, die mit diesem nicht vertraut sind oder diese Anweisungen nicht gelesen haben. *Elektrowerkzeuge sind gefährlich, wenn Sie von unerfahrenen Personen benutzt werden.*
- e) **Pflegen Sie Elektrowerkzeuge mit Sorgfalt.** Kontrollieren Sie, ob bewegliche Teile einwandfrei funktionieren und nicht klemmen, ob Teile gebrochen oder so beschädigt sind, dass die Funktion des Elektrowerkzeuges beeinträchtigt ist.

Lassen Sie beschädigte Teile vor dem Einsatz des Gerätes reparieren. *Viele Unfälle haben ihre Ursache in schlecht gewarteten Elektrowerkzeugen.*

- f) **Halten Sie Schneidwerkzeuge scharf und sauber.** *Sorgfältig gepflegte Schneidwerkzeuge mit scharfen Schneidkanten verklebten sich weniger und sind leichter zu führen.*
- g) **Verwenden Sie Elektrowerkzeug, Zubehör, Einsatzwerkzeuge usw. entsprechend diesen Anweisungen.** Berücksichtigen Sie dabei die Arbeitsbedingungen und die auszuführende Tätigkeit. *Der Gebrauch von Elektrowerkzeugen für andere als die vorgesehenen Anwendungen kann zu gefährlichen Situationen führen.*

5) Service

- a) **Lassen Sie Ihr Elektrowerkzeug nur von qualifiziertem Fachpersonal und nur mit Original-Ersatzteilen reparieren.** *Damit wird sichergestellt, dass die Sicherheit des Elektrowerkzeuges erhalten bleibt.*

IV – Sicherheitshinweise für Kreissägen



Verwenden Sie Gehörschutzmittel, wenn Sie lange arbeiten. *Der intensive Lärm während der Arbeit kann Gehörbeschädigungen verursachen.*

- Benutzen Sie die mit dem Gerät gelieferten Zusatzhandgriffe. *Der Verlust der Kontrolle über die Maschine kann zu Verletzungen führen.*



Verwenden Sie während der Arbeit geeignete Augenschutzmittel um sich vor fliegenden Teilchen zu schützen. *Tragen Sie eine Schutzbrille.*



Treffen Sie Schutzmaßnahmen gegen das Einatmen von Staub. *Manche Werkstoffe können toxische Bestandteile enthalten. Tragen Sie eine Staubschutzmaske.*

- Halten Sie das Gerät nur an den isolierten Griffflächen, wenn Sie Arbeiten ausführen, bei denen das Einsatzwerkzeug verborgene Stromleitungen oder das eigene Netzkabel treffen kann. *Der Kontakt mit einer spannungsführenden Leitung kann auch metallene Geräteteile unter Spannung setzen und zu einem elektrischen Schlag führen.*

- Bearbeiten Sie keine Werkstoffe die Asbest enthalten. Asbest gilt als krebserregend.
- Es wird empfohlen, während der Arbeit mit der Stichsäge Schutzhandschuhe tragen.



WARNUNG: Bevor Sie das Elektrogerät an das Stromnetz anschließen, überzeugen Sie sich, dass die Versorgungsspannung der angegebenen Spannung auf der Tabelle mit den technischen Daten (auf dem Typenschild) des Elektrogeräts entspricht.

- Eine höhere Spannung als auf dem Typenschild angegeben kann ernsthafte Verletzungen für den Bediener und Schäden am Elektrowerkzeug hervorrufen.
- Wenn sie Zweifel haben, stecken Sie den Stecker des Elektrowerkzeugs nicht in die Steckdose.
- Niedrigere Spannung als auf dem Typenschild angegeben kann das Elektrowerkzeug beschädigen.
- Um ein eventuelles Überhitzen eines Verlängerungskabels zu vermeiden, wickeln Sie das Kabel der Kabeltrommel immer bis zum Ende ab.
- Falls das Benutzen eines Verlängerungskabels erforderlich ist, überzeugen Sie sich, dass der Querschnitt des Kabels dem Nennstrom des benutzten Elektrowerkzeuges entspricht. Überzeugen Sie sich von der Funktionstüchtigkeit des Kabels und prüfen Sie es auf Schäden.



WARNUNG: Schalten Sie vor jeder Einstellung, Bedienung oder Wartung, so wie auch bei einem Stromausfall immer das Elektrowerkzeug aus und ziehen Sie den Stecker aus der Steckdose.

- Entfernen Sie vor Beginn der Arbeit alle Nägel, Schrauben und andere Körper von dem zu bearbeitenden Werkstück. Beim Einschneiden von Nagel oder einem anderem Metallgegenstand können Sie das Sägeblatt oder das Elektrowerkzeug beschädigen, was Voraussetzung für Betriebsunfälle ist.
- Verwenden Sie immer eine Klemme oder einen Schraubstock, um das zu bearbeitende Werkstück zu fixieren.
- Schalten Sie die Kreissäge nicht unter Last ein. Bevor Sie das Gerät einschalten, stellen Sie sicher, dass das Sägeblatt die zu bearbeitende Oberfläche nicht berührt.
- Während der Arbeit halten Sie die Maschine

mit den beiden Händen fest, und nehmen Sie eine stabile Körperhaltung ein. Sie können das Elektrowerkzeug sicherer führen, wenn Sie es mit den beiden Händen halten.

- Schalten Sie das Gerät immer aus und warten Sie bis zum endgültigen Anhalten des Sägeblatts, bevor Sie das Gerät von dem Werkstück entfernen.
- Nach Ausschalten das Sägeblatt nicht durch äußeren Druck zum Stillstand bringen.
- Berühren Sie das Sägeblatt nicht sofort nach Beendigung der Arbeit. Das Sägeblatt kann sehr heiß sein und eine Hautverbrennung verursachen.
- Verwenden Sie nur Sägeblätter, die den Angaben in dieser Anweisung entsprechen.
- Verwenden Sie keine stumpfen oder beschädigten Sägeblätter. Sägeblätter mit beschädigten oder falsch ausgerichteten Zähnen verursachen durch einen zu engen Sägespalt eine erhöhte Reibung, Klemmen des Sägeblattes und Rückschlag.
- Keine Sägeblätter verwenden, deren Hauptkörper dicker und die Zahnbreite mit Schränkeisen kleiner als die Dicke des Schlitzmessers (2 mm) ist.
- Das Schlitzmesser nicht abnehmen, außer beim Tauchscheiden.
- Die bewegliche Sicherung, die das Sägeblatt zwischen den Schneidevorgängen vollständig deckt, nicht in Position „offen“ blockieren.
- Beim Festklemmen des Sägeblatts das Gerät sofort ausschalten (den Hebel des Schalters lösen).
- Stützen Sie große Platten ab, um das Risiko eines Rückschlags durch ein klemmendes Sägeblatt zu vermindern. Große Platten können sich unter ihrem Eigengewicht durchbiegen. Platten müssen auf beiden Seiten abgestützt werden, sowohl in der Nähe des Sägespalt als auch an der Kante.
- Das Vorhandensein von Lappen, Tüchern, Werg, Bindfaden, Leitungen u.a. im Arbeitsbereich ist untersagt.
- Halten Sie das Netzkabel außerhalb des Arbeitsbereichs der Maschine.
- Das Elektrowerkzeug nicht benutzen, falls das Netzkabel beschädigt ist. Berühren Sie das beschädigte Netzkabel nicht und ziehen Sie den Stecker aus der Steckdose heraus, falls das Netzkabel während der Arbeit beschädigt wird. Ein beschädigtes Netzkabel erhöht das Stromschlag-Risiko.
- Das Elektrowerkzeug soll nur bestimmungsgemäß verwendet werden. Jeder anderer

Gebrauch, anders als der Gebrauch, beschrieben in dieser Instruktion, gilt als nicht bestimmungsgemäß. Die Verantwortung für jede Schädigung oder Verletzung, verursacht durch falschen Gebrauch, trägt der Betreiber und nicht der Hersteller.

- Um dieses Elektrowerkzeug richtig zu betreiben, sollten Sie die Sicherheitsregeln, die allgemeinen Instruktionen und die Betriebsanweisungen, die hier angegeben sind, beachten. Alle Betreiber sollten sich mit dieser Betriebsanweisung bekanntmachen und über die potenziellen Risiken bei der Arbeit mit dem Elektrowerkzeug informiert sein. Kinder und körperlich schwache Personen dürfen das Elektrowerkzeug nicht benutzen. Kinder sollten ständig kontrolliert werden, falls sie sich in der Nähe des Ortes, wo mit dem Elektrowerkzeug gearbeitet wird, befinden. Unbedingt sollten auch präventive Sicherheitsmassnahmen getroffen werden. Das gleiche gilt auch für die Einhaltung der Grundregeln für Berufsgesundheit und Sicherheit. Der Hersteller übernimmt keine Verantwortung für von dem Betreiber vorgenommenen Änderungen des Elektrowerkzeuges oder für Schaden, verursacht durch solche Änderungen.
- Der Hersteller trägt keine Verantwortung für die vom Verbraucher am Elektrowerkzeug vorgenommenen Änderungen oder für Schäden, die von solchen Änderungen verursacht worden sind.
- Das Elektrowerkzeug darf nicht im Freien verwendet werden wenn es regnet. Das Elektrowerkzeug darf nicht verwendet werden auch in feuchter Umgebung (wenn es geregnet hat) oder in der Nähe von leicht entzündbaren Flüssigkeiten oder Gasen. Der Arbeitsplatz muß gut beleuchtet sein.

V – Elemente des Elektrowerkzeugs

Vor dem Beginn der Arbeit mit dem Elektrowerkzeug machen Sie sich mit allen operativen Besonderheiten und Sicherheitsbedingungen bekannt.

Benutzen Sie das Elektrowerkzeug und das Zubehör dazu nur zweckmäßig. Jede andere Anwendung ist ausdrücklich verboten.

1. Schalterfeststellknopf
2. Schalter
3. Sägetiefe-Fixierhebel /Skala
4. Parallelanschlag/Skala

5. Lehnzscheibe
6. Feststellschraube des Sägeblatts
7. Einlagescheibe
8. Druckscheibe
9. Schlitzmesser
10. Bewegliche Sicherung
11. Befestigungsschraube für das Schlitzmesser
12. Abführungsloch für Sägespänel
13. Mutter zur Einstellung des Schneidgrades/Skala
14. Stellschraube

VI - Arbeitshinweise

Dieses Elektrowerkzeug wird mit einphasiger Wechselspannung versorgt. Man kann es an Kontaktsteckdosen ohne Schutzklemmen anschließen. Es ist nach EN 60745-1 und IEC 60745 doppelt isoliert. Die Funkstörungen entsprechen der EMV-Richtlinie 2004/108/EG zur Elektromagnetischen Verträglichkeit. Dieses Elektrowerkzeug ist zum geradlinigen Längs- und Quersägen von Holz mit Schnittwinkel von 0° bis 45° bestimmt.

VOR DEM ARBEITSBEGINN

- Überprüfen Sie ob die Spannung des Versorgungsnetzes der auf dem Typenschild mit den technischen Daten des Elektrowerkzeuges angegebenen Spannung entspricht.
- Überprüfen Sie in welcher Stellung der sich Schalter befindet. Das Gerät darf nur ausgeschaltet ans Netz angeschlossen und vom Netz getrennt werden. Falls Sie den Netzstecker in die Steckdose stecken wenn das Gerät eingeschaltet ist wird es sofort beginnen anzulaufen was die Voraussetzung für einen schweren Unfall sein kann.
- Überzeugen Sie sich vom ordnungsgemäßen Zustand des Versorgungskabels und des Steckers. Falls das Versorgungskabel beschädigt ist, darf es nur vom Hersteller oder einem autorisierten Servicefachmann ausgetauscht werden um eventuelle Gefährdungen zu vermeiden.
- Nur gut geschliffene Sägeblätter verwenden. Gebrochene oder verformte Sägeblätter sofort auswechseln. Sägeblätter aus hochlegiertem schnellschneidendem Stahl (HSS-Stahl) nicht verwenden.
- Das Schlitzmesser darf das Sägeblatt nicht berühren.
- Die freie Bewegung der beweglichen Sicherung beobachten.

- Das bearbeitete Werkstück oder Material gut befestigen.



WARNUNG: Schalten Sie vor jeder Einstellung, Bedienung oder Wartung, so wie auch bei einem Stromausfall immer das Elektrowerkzeug aus und ziehen Sie den Stecker aus der Steckdose.

EIN- UND AUSSCHALTEN

- Einschalten: Schalterfeststellknopf 1 und danach den Schalter 2 drücken.
- Ausschalten: Schalter 2 loslassen.

MONTAGE DES SÄGEBLATTS



WARNUNG: Den Stecker vom Netz trennen!

Bei Stillstand und bei Leerlauf ist das Sägeblatt mit der beweglichen Sicherung 10 bedeckt. Die bewegliche Sicherung 10 drehen und in dieser Stellung halten. Mit dem Sechskant-Schlüssel die Schraube 6 lösen, dabei mit einem Schraubenschlüssel die Druckscheibe 8 festhalten oder das Sägeblatt auf Holz legen. Die Scheibe 8 und das Sägeblatt demontieren. Die Montage erfolgt in umgekehrter Reihenfolge. Die Stützoberflächen der Lehrscheibe 5, des Sägeblatts und der Druckscheibe 8 müssen sauber sein. Die Richtungen der Zeiger auf dem Sägeblatt und auf der stationären Sicherung müssen übereinstimmen.

SCHLITZMESSEREINSTELLUNG

Das Schlitzmesser 9 vermeidet das Einklemmen des Sägeblatts. Dieses muß so eingestellt werden, daß die Entfernung zu den Zahnspitzen und zu der Schnitttiefe nicht mehr als 5 mm beträgt (Siehe Abb.). Das Messer gut mit der Schraube für das Schlitzmesser 11, die sich unter dem hinteren Teil der stationären Sicherung befindet, festziehen.

EINSTELLUNG DER SCHNITTIEFE

Die Schnitttiefe ca. 5 mm größer als die Materialdicke wählen. Den Fixierhebel 3 lösen, die Schnitttiefe mit Hilfe der Skala 3 einstellen und erneut den Fixierhebel festschrauben. Das Feststellen sollte stabil sein. Falls notwendig, die feststellende Baugruppe einstellen.

REGELUNG DER FESTSTELLUNG

Die Stellschraube 14 aufdrehen. Den Hebel 3 aus den Schlitzen herausnehmen. Den Hebel 3 umgekehrt in einer Lage montieren, die im Vergleich zu der Anfangslage entgegen dem Uhrzeigersinn gedreht ist. Die Stellschraube 14 umgekehrt montieren und festziehen.

EINSTELLUNG DES SCHNEIDGRADES

Die Mutter 13 aufdrehen, den Schneidgrad nach Skala 13 einstellen und erneut die Mutter festziehen.

SCHNEIDANZEIGER

Der rechte Schlitz auf der Platte dient als Schneidanzeiger bei vertikalem Sägeblatt, und der linke Schlitz - bei 45° des Sägeblatts. Machen Sie einen Probeschnitt.

PARALLELSICHERUNG

Beim parallelen Schneiden bis zum Werkstückende den Parallelenschlag 4 verwenden. Die Schnittbreite nach der Skala 4 einstellen. Die Mutter gut festschrauben.

ZUBEHÖR, DAS MIT DIESEM ELEKTROGERÄT BENUTZT WERDEN KANN

- HM-Kreissägeblatt
- Sägeblattdurchmesser - Ømax150 mm
- Sägeblattbohrungsdurchmesser - Ø20 mm

VII - Wartung



WARNUNG: Vor jeder Wartung oder Überprüfung das Elektrowerkzeug immer ausschalten und den Stecker aus der Steckdose ziehen.

AUSWECHSELN DER BÜRSTEN

Das Elektrowerkzeug ist mit Selbstausschaltenden Bürsten ausgerüstet. Wenn die Bürsten abgenutzt sind, schaltet sich die Maschine von selbst aus. In solchem Fall sollen beide Bürsten gleichzeitig durch Originalbürsten im SPARKY – Kundendienst ausgetauscht werden.

ALLGEMEINE ÜBERPRÜFUNG

Überprüfen Sie regelmäßig alle Befestigungselemente um sich zu überzeugen, dass sie fest angezogen sind. Falls einige der Schrauben lose sind, sofort festziehen, um Risikosituationen zu vermeiden.

Im Falle eines beschädigten Netzkabels soll der Austausch durch den Hersteller oder seinen Servicefachmann vorgenommen werden, um die Risiken die bei einem Austausch entstehen können zu vermeiden.

REINIGUNG

Für den sicheren Betrieb die Maschine und die Belüftungsöffnungen immer sauber halten.

Regelmäßig überprüfen, ob in die Belüftungsöffnungen des Motors oder um die Umschalter Staub oder Fremdkörper eingedrungen sind.

Weiche Bürste und/oder Druckluft für die Entfernung des Staubes verwenden. Um die Augen während der Reinigung zu schützen, Schutzbrille tragen.

Das Gehäuse der Maschine gegebenenfalls mit einem weichen feuchten Tuch abwischen. Hierfür kann zusätzlich eine schwache Reinigungslösung (Spülmittel) verwendet werden.



WARNUNG: Die Verwendung von Benzin oder anderen Lösungsmitteln ist unzulässig. Nie ätzende Präparate für die Reinigung der Kunststoffteile verwenden.



WARNUNG: Vermeiden Sie unbedingt das Wasser in die Maschine (z.B. durch die Lüftungsschlitze) eindringt.

WICHTIG! Um einen sicheren Betrieb des Elektrowerkzeuges und seine Zuverlässigkeit zu gewährleisten, sollten alle Arbeiten zur Reparatur, Wartung und Regelung (einschl. auch die Überprüfung und das Auswechseln der Bürsten) nur in den zuständigen Kundendiensten von SPARKY beim Verwenden von Originalersatzteilen durchgeführt werden.

VIII - Garantie

Die Garantiefrist der SPARKY-Elektrowerkzeuge wird im Garantieschein bestimmt.

Schäden, die auf natürliche Abnutzung, Überlastung oder unsachgemäße Handhabung zurückzuführen sind, bleiben von der Garantie ausgeschlossen.

Schäden, die durch Material- und/oder Herstellerfehler entstanden sind, werden unentgeltlich durch Ersatzlieferung oder Reparatur beseitigt. Beanstandungen bezüglich eines beschädigten SPARKY-Elektrowerkzeugs können nur anerkannt werden, wenn das Gerät unzerlegt (im ursprünglichen Zustand) dem Lieferanten oder der befugten Kundendienstwerkstatt vorgelegt wird.

Hinweise

Lesen Sie sorgfältig die ganze Betriebsanleitung bevor Sie beginnen, das Erzeugnis zu verwenden.

Der Hersteller behält sich das Recht vor, Verbesserungen und Änderungen in seinen Erzeugnissen einzuführen und die Spezifikationen ohne Voranmeldung zu ändern.

Die Spezifikationen können sich in den verschiedenen Ländern unterscheiden.

Sommaire

I – Introduction	18
II – Données techniques	20
III – Avertissements de sécurité généraux pour l'outil.....	21
IV – Avertissements de sécurité lors du travail avec des scies circulaires.....	22
V – Présentation de la machine	A/24
VI - Indications de travail	B/24
VII – Maintenance	25
VIII – Garantie	26

DEBALLAGE

Grâce aux techniques modernes de fabrication, il est improbable que votre outil soit défectueux ou qu'une pièce soit manquante. Si toutefois vous trouvez une anomalie, n'utilisez pas l'outil avant que les pièces aient été remplacées ou le défaut corrigé. Ne pas observer cette règle pourrait causer des blessures graves.

MONTAGE

La scie circulaire est livrée montée dans son emballage, à l'exception de l'adaptateur d'extraction de poussière et le guide parallèle.

I - Introduction

Votre nouvel outil a été conçu et produit selon tous les standards de qualité pour répondre aux exigences les plus élevées. Son exploitation est facile et sécurisée. Et avec une utilisation correcte il vous servira longtemps.

AVERTISSEMENT!



Lire attentivement cette notice originale avant d'utiliser votre nouvel outil. Prêter attention aux sections «Avertissement». Votre outil électrique possède des caractéristiques qui facilitent votre travail.

Cet instrument a été conçu et produit selon toutes les exigences de sécurité pour que son usage et son entretien soient faciles.



Ne pas jeter les outils électroportatifs avec les ordures ménagères!

Les déchets provenant d'outils électroportatifs ne doivent pas être ramassés avec les ordures ménagères. Prière de recycler sur les lieux qui y sont spécialement destinés. Contacter les autorités locales ou un représentant pour des consultations concernant le recyclage.

RESPECT DE L'ENVIRONNEMENT



Récupération des matières premières plutôt qu'élimination des déchets. En vue à la protection de l'environnement, les appareils, comme d'ailleurs leurs accessoires et emballages, doivent pouvoir suivre chacun une voie de recyclage appropriée. Nos pièces en matières artificielles ont été marquées en vue d'un recyclage sélectif des différents matériaux.

LÉGENDE

L'outil électrique porte une plaque décrivant les signes spéciaux. Ils apportent une information importante quant au produit ou des instructions d'utilisation.



Double isolation pour une meilleure sécurité.



Angle de coupe variable.



Raccordement à un aspirateur.



Conforme aux normes de sécurité européennes.



En conformité avec les exigences des standards Russes.




Lisez la notice originale.

YYWww

Période de production, où, le symboles variables sont les suivants:
YY- les deux derniers chiffres de l'année de production,
ww – le numéro de la semaine du calendrier.

II – Données techniques

Modèle	TK 50
Puissance consommée	800 W
Vitesse de rotation à vide	5800 min ⁻¹
Profondeur de sciage:	Disque Ø150 mm
sous un angle de 90°	50 mm
sous un angle de 45°	32 mm
Diamètre maximale de la lame	150 mm
Diamètre minimale de la lame	140 mm
Diamètre du trou d'accrochage	20 mm
Poids (EPTA procédure 01/2003)	3.3 kg
Classe de protection (EN 60745-1) 	II

INFORMATIONS SUR LES BRUITS ET LES VIBRATIONS

Valeurs de mesure obtenues conformément à la EN 60745.

Informations sur le bruit

Le mesure réelle (A) de niveau de pression acoustique L _{pA}	97.0 dB (A)
Incertitude K _{pA}	3.0 dB (A)
Le mesure réelle (A) de niveau d'intensité acoustique L _{WA}	108.0 dB (A)
Incertitude K _{WA}	3.0 dB (A)

Porter une protection acoustique!

Informations sur les vibrations *

Valeurs totales des vibrations (somme vectorielle de trois sens) établies conformément à EN 60745:

Coupe du bois	
Valeur d'émission vibratoire a _h	4.5 m/s ²
Incertitude K	1.5 m/s ²

* Les valeurs des vibrations sont déterminées conformément à la 6.2.7 EN 60745-1.

L'amplitude d' l'accélération indiquée dans ces instructions d'utilisation a été mesurée suivant les méthodes de mesurage conformément à la norme EN 60745 et peut être utilisée pour une comparaison d'appareils. Le niveau de vibration peut être utilisé pour faire une estimation provisoire du degré d'influence vibratoire.

Le niveau de vibration annoncé concerne la fonction principale de l'outil. Dans des cas où l'outil est destinée à une autre utilisation ou avec d'autres accessoires, ou s'il est mal entretenu, le niveau de vibration peut s'écarter de celui qui a été indiqué. Si c'est le cas, le degré d'influence peut fortement augmenter au cours de l'utilisation

Pour une estimation précise de l'influence vibratoire pendant un certain temps d'utilisation, il est recommandé de prendre aussi en considération les espaces de temps pendant lesquels l'appareil est éteint ou sous tension, mais pas vraiment utilisé. Ceci peut réduire considérablement l'influence vibratoire pendant toute la durée du travail.

Entretenez l'outil et ses accessoires en bon état. Gardez vos mains chaudes au cours de son utilisation – cela va diminuer les conséquences négatives lorsque vous travaillez à des hauts degrés de vibrations.

Les poussières de matériaux tels que peintures contenant du plomb, certains bois, minéraux ou métaux, peuvent être nuisibles à la santé. Toucher ou aspirer les poussières peut entraîner des réactions allergiques et/ou des maladies respiratoires auprès de l'utilisateur ou de personnes se trouvant à proximité.

Certaines poussières telles que les poussières de chêne ou de hêtre sont considérées cancérigènes, surtout en connexion avec des additifs pour le traitement de bois (chromate, lazure). Les matériaux contenant de l'amiante ne doivent être travaillés que par des personnes qualifiées.

- Si possible, utilisez une aspiration des poussières.
- Afin d'atteindre un haut degré d'aspiration de la poussière, lors du travail avec cet outil électroportatif utilisez un aspirateur spécialement adapté pour l'aspiration de poussière de bois ou pour l'aspiration de poussière de bois et/ou poussière de minéraux.

- Veillez à bien aérer la zone de travail.
 - Il est recommandé de porter un masque respiratoire de la classe de filtre P2.
- Respectez les règlements en vigueur dans votre pays spécifiques aux matériaux à traiter.

III - Avertissements de sécurité généraux pour l'outil



AVERTISSEMENT! Lire tous les avertissements de sécurité et toutes les instructions. Ne pas suivre les avertissements et instructions peut donner lieu à un choc électrique, un incendie et/ou une blessure sérieuse.

Conservé tous les avertissements et toutes les instructions pour pouvoir s'y reporter ultérieurement.

Le terme «outil» dans les avertissements fait référence à votre outil électrique alimenté par le secteur (avec cordon d'alimentation) ou votre outil fonctionnant sur batterie (sans cordon d'alimentation).

1) Sécurité de la zone de travail

- Conservé la zone de travail propre et bien éclairée.** Les zones en désordre ou sombres sont propices aux accidents.
- Ne pas faire fonctionner les outils électriques en atmosphère explosive,** par exemple en présence de liquides inflammables, de gaz ou de poussières. Les outils électriques produisent des étincelles qui peuvent enflammer les poussières ou les fumées.
- Maintenir les enfants et les personnes présentes à l'écart pendant l'utilisation de l'outil.** Les distractions peuvent vous faire perdre le contrôle de l'outil.

2) Sécurité électrique

- Il faut que les fiches de l'outil électrique soient adaptées au socle. Ne jamais modifier la fiche de quelque façon que ce soit. Ne pas utiliser d'adaptateurs avec des outils à branchement de terre.** Des fiches non modifiées et des socles adaptés réduiront le risque de choc électrique.
- Éviter tout contact du corps avec des surfaces reliées à la terre telles que les tuyaux, les radiateurs, les cuisinières et les réfrigérateurs.** Il existe un risque accru de choc électrique si votre corps est relié à

la terre.

- Ne pas exposer les outils à la pluie ou à des conditions humides.** La pénétration d'eau à l'intérieur d'un outil augmentera le risque de choc électrique.
- Ne pas maltraiter le cordon. Ne jamais utiliser le cordon pour porter, tirer ou débrancher l'outil. Maintenir le cordon à l'écart de la chaleur, du lubrifiant, des arêtes ou des parties en mouvement.** Des cordons endommagés ou emmêlés augmentent le risque de choc électrique.
- Lorsqu'on utilise un outil à l'extérieur, utiliser un prolongateur adapté à l'utilisation extérieure.** L'utilisation d'un cordon adapté à l'utilisation extérieure réduit le risque de choc électrique.
- Si l'usage d'un outil dans un emplacement humide est inévitable, utiliser une alimentation protégée par un dispositif à courant différentiel résiduel (RCD).** L'usage d'un RCD réduit le risque de choc électrique.

3) Sécurité des personnes

- Rester vigilant, regarder ce que vous êtes en train de faire et faire preuve de bon sens dans votre utilisation de l'outil. Ne pas utiliser un outil lorsque vous êtes fatigué ou sous l'emprise de drogues, d'alcool ou de médicaments.** Un moment d'inattention en cours d'utilisation d'un outil peut entraîner des blessures graves des personnes.
- Utiliser un équipement de sécurité. Toujours porter une protection pour les yeux.** Les équipements de sécurité tels que les masques contre les poussières, les chaussures de sécurité antidérapantes, les casques ou les protections acoustiques utilisés pour les conditions appropriées réduiront les blessures de personnes.
- Éviter tout démarrage intempestif. S'assurer que l'interrupteur est en position arrêt avant de brancher l'outil au secteur ou au bloc de batteries, de le ramasser ou de le porter. Porter les outils en ayant le doigt sur l'interrupteur ou brancher des outils dont l'interrupteur est en position marche est source d'accidents.**
- Retirer toute clé de réglage avant de mettre l'outil en marche. Une clé laissée fixée**

sur une partie tournante de l'outil peut donner lieu à des blessures de personnes.

- e) **Ne pas se précipiter. Garder une position et un équilibre adaptés à tout moment.** Cela permet un meilleur contrôle de l'outil dans des situations inattendues.
- f) **S'habiller de manière adaptée. Ne pas porter de vêtements amples ou de bijoux. Garder les cheveux, les vêtements et les gants à distance des parties en mouvement.** Des vêtements amples, des bijoux ou les cheveux longs peuvent être pris dans des parties en mouvement.
- g) **Si des dispositifs sont fournis pour le raccordement d'équipements pour l'extraction et la récupération des poussières, s'assurer qu'ils sont connectés et correctement utilisés.** Utiliser des collecteurs de poussière peut réduire les risques dus aux poussières.

4) Utilisation et entretien de l'outil

- a) **Ne pas forcer l'outil. Utiliser l'outil adapté à votre application.** L'outil adapté réalisera mieux le travail et de manière plus sûre au régime pour lequel il a été construit.
- b) **Ne pas utiliser l'outil si l'interrupteur ne permet pas de passer de l'état de marche à arrêt et vice versa.** Tout outil qui ne peut pas être commandé par l'interrupteur est dangereux et il faut le réparer.
- c) **Débrancher la fiche de la source d'alimentation en courant et/ou le bloc de batteries de l'outil avant tout réglage, changement d'accessoires ou avant de ranger l'outil.** De telles mesures de sécurité préventives réduisent le risque de démarrage accidentel de l'outil.
- d) **Conserver les outils à l'arrêt hors de la portée des enfants et ne pas permettre à des personnes ne connaissant pas l'outil ou les présentes instructions de le faire fonctionner.** Les outils sont dangereux entre les mains d'utilisateurs novices.
- e) **Observer la maintenance de l'outil.** Vérifier qu'il n'y a pas de mauvais alignement ou de blocage des parties mobiles, des pièces cassées ou toute autre condition pouvant affecter le fonctionnement de l'outil. En cas de dommages, faire réparer l'outil avant de l'utiliser. De nombreux accidents sont dus à des outils mal entretenus.
- f) **Garder affûtés et propres les outils permettant de couper.** Des outils destinés à couper correctement entretenus avec des pièces coupantes tranchantes sont moins

susceptibles de bloquer et sont plus faciles à contrôler.

- g) **Utiliser l'outil, les accessoires et les lames etc., conformément à ces instructions, en tenant compte des conditions de travail et du travail à réaliser.** L'utilisation de l'outil pour des opérations différentes de celles prévues pourrait donner lieu à des situations dangereuses.

5) Maintenance et entretien

- a) **Faire entretenir l'outil par un réparateur qualifié utilisant uniquement des pièces de rechange identiques.** Cela assurera que la sécurité de l'outil est maintenue.

IV – Avertissements de sécurité lors du travail avec des scies circulaires



Portez des protecteurs auditifs lors d'un travail prolongé. Le bruit intensif de la machine peut provoquer des lésions de l'ouïe.

- **Utiliser toujours la poignée supplémentaire livrée avec la machine.** La perte du contrôle peut provoquer un accident.



Pendant le travail utiliser des moyens de protection des yeux pour vous protéger des particules volantes. Porter des lunettes de protection.



Prévoir des précautions contre le risque d'aspiration de poussière. Les matériaux percés peuvent contenir des composants toxiques. Porter un masque anti-poussière. Si possible, brancher sur la machine un système d'évacuation de poussière.

- **Tenir l'outil uniquement par les surfaces de préhension isolantes, pendant les opérations au cours desquelles l'accessoire coupant peut être en contact avec des conducteurs cachés ou avec son propre câble.** Le contact de l'accessoire coupant avec un fil „sous tension” peut également mettre „sous tension” les parties métalliques exposées de l'outil électrique et provoquer un choc électrique sur l'opérateur.
- **Ne jamais percer des matériaux contenant de l'asbeste.** L'asbeste est considéré agent cancérogène.
- **Il est recommandé d'utiliser des gants de protection.**



AVERTISSEMENT: Avant de brancher l'alimentation de la machine vérifier la conformité de la tension du réseau avec les données indiquées sur le tableau signalétique de la machine.

- Le branchement sur une source dont la tension d'alimentation est plus haute que la tension recommandée pour la machine peut provoquer un électrochoc subi par l'opérateur ainsi que la détérioration de la machine.
- En cas de doute ne pas brancher la fiche de la machine dans la prise.
- Le branchement sur une source dont la tension d'alimentation est plus basse que la tension recommandée pour la machine peut provoquer l'endommagement du moteur.
- Afin d'éviter une surchauffe éventuelle dérouler complètement le câble de rallonge à tambour.
- Si l'utilisation d'une rallonge est nécessaire, vérifier si la section des fils est suffisante pour le courant absorbé par la machine ainsi que le bon état de la rallonge.



AVERTISSEMENT: Arrêtez toujours l'appareil et débranchez-le du réseau avant d'effectuer sur celui-ci tout réglage et opération de service ou d'entretien, de même qu'en cas de baisse de tension du courant dans le secteur.

- Avant de commencer le coupe du détail choisissez tous les corps étrangers, clous, vis, etc. sont bien éliminés du détail. Si la coupe s'engage à un corps métallique vous risquez d'endommager la lame ou l'outil ainsi que de provoquer un accident.
- Fixez la pièce traitée à l'aide d'un étau ou d'une autre manière convenable.
- Ne pas mettre en marche la scie circulaire que si elle est à vide. Avant d'enclencher la machine assurez-vous que la lame ne touche pas la surface à travailler.
- Pendant le travail, serrez toujours solidement l'outil des deux mains et tenez votre corps en position stable. L'outil est guidé d'une manière plus sécurisée lorsqu'on le tient des deux mains.
- En cas d'arrêt il faut bien attendre que la lame soit complètement arrêtée avant de lever l'outil de la surface usinée.
- Après l'arrêt de la machine, la lame circulaire ne doit pas être arrêtée de force par l'exercice

sur elle d'une pression latérale.

- Evitez de toucher la lame à la fin du travail. Vous risquez de vous brûler, car la lame peut être très chaude.
- Ne pas utiliser de disques dont les caractéristiques ne correspondent pas à celles indiquées dans la présente instruction.
- N'utilisez pas de lames émoussées ou endommagées. Des lames non aiguisées ou mal fixées entraînent un trait de scie rétréci, provoquant trop de frottements, un grippage de la lame et un recul.
- Ne pas utiliser de lames de scie dont l'épaisseur et la largeur des dents par rapport à l'arbre sont inférieures à l'épaisseur du couteau diviseur, qui est de 2 mm.
- Ne pas enlever le couteau diviseur, sauf en cas d'attaque de sciage perpendiculaire.
- Ne pas bloquer le protège-lame, couvrant entièrement la lame, en position «ouvert» entre les opérations de sciage.
- En cas de blocage de la lame, arrêter immédiatement la machine et la débrancher du réseau d'alimentation.
- Placez des panneaux de grande taille sur un support afin de minimiser les risques de pincement de la lame et de recul. Les grands panneaux ont tendance à fléchir sous leur propre poids. Les supports doivent être placés sous le panneau des deux côtés, près de la ligne de coupe et près du bord du panneau.
- L'aire de travail doit être libérée des torchons, chiffons, étaupe, ficelles, cordons etc.
- Tenez le câble d'alimentation électrique de l'appareil à l'écart de l'aire de travail de celui-ci.
- N'utilisez pas l'appareil électrique lorsque son câble est endommagé. Ne touchez pas le câble endommagé et enlevez la fiche de la prise si le câble vient à subir un dommage dans le courant du travail. Les câbles endommagés augmentent le risque d'électrocution.
- L'appareil doit être utilisé uniquement pour les travaux pour lesquels il a été prévu. Toute autre utilisation, différente que celle décrite dans la présente instruction, doit être considérée comme abusive. Le producteur décline toute responsabilité en cas de dommage ou de blessure causée par une utilisation abusive, cette responsabilité étant alors entièrement portée par l'utilisateur.
- Afin d'utiliser l'appareil correctement, vous devez respecter les règles de sécurité, les consignes générales et celles concernant l'exploitation qui figurent dans le présent do-

cument. Tous les utilisateurs doivent avoir pris connaissance de cette instruction d'utilisation et être informés sur les risques potentiels lors du travail avec l'appareil électrique. Les enfants et les personnes ne possédant pas la force physique nécessaire ne doivent pas utiliser l'appareil. Les enfants se trouvant dans la zone de travail doivent être sous une surveillance incessante. Il est indispensable que vous preniez également des mesures de sécurité préalables. Ceci est également valable pour les principales consignes concernant la salubrité du travail et la sécurité.

- Le producteur décline toute responsabilité en cas de modifications apportées à l'appareil électrique qui ont endommagé celui-ci.
- L'appareil électrique ne doit être utilisé à l'extérieur lorsqu'il pleut, dans un milieu humide (après la pluie) ou à proximité de liquides et de gaz facilement inflammables. Le lieu de travail doit être bien éclairé.

V - Présentation de la machine

Avant de commencer le travail avec la machine il faut connaître tous les spécificités d'exploitation et les consignes de sécurité.

Utiliser la machine et ses accessoires conformément à leur destination. Toute autre utilisation est interdite.

1. Bouton de blocage de l'interrupteur, avec sécurité contre la mise en marche intempestive
2. Levier de l'interrupteur
3. Tige de réglage de la profondeur de sciage/échelle graduée
4. Guide parallèle/échelle graduée
5. Rondelle d'appui
6. Vis de serrage de la lame
7. Rondelle support de lame
8. Rondelle de blocage de lame
9. Couteau diviseur
10. Protège-lame
11. Vis de réglage du couteau diviseur
12. Système d'évacuation des poussières et des copeaux
13. Ecrou de réglage d'angle de coupe/échelle graduée
14. Vis de montage

VI - Indications de travail

La machine doit être alimentée du réseau monophasé de courant alternatif. Elle peut être branchée sur des prises sans borne de terre car l'isolement est double suivant les normes EN 60745-1 et IEC 60745. Pour ce qui est des interférences radio, il est conforme aux la directive sur la compatibilité électromagnétique 2004/108/CE.

Cet instrument électrique est destiné au découpage longitudinal et transversal du bois sur ligne droite, sur un angle de découpage de 0° à 45°.

AVANT DE COMMENCER LE TRAVAIL

- Vérifier si la tension du réseau d'alimentation est conforme aux données indiquées sur le tableau signalétique de la machine.
- Vérifier la position de l'interrupteur. La machine ne doit pas être branchée ou débranchée qu'avec l'interrupteur en position déclenchée. Si on met la fiche dans la prise avec l'interrupteur en position Marche, la machine va démarrer aussitôt avec tous les risques d'accident accompagnants.
- Vérifier l'état du câble d'alimentation et la fiche. Le câble d'alimentation endommagé devra être remplacé par le fabricant ou un spécialiste autorisé afin d'éviter les risques d'un remplacement non approprié.
- N'utiliser que des lames en parfait état. Changer immédiatement les lames endommagées ou bien déformées. Ne pas utiliser de lames en fort alliage d'acier (acier HSS).
- Le couteau diviseur ne doit toucher pas la lame.
- Préserver la liberté de mouvement du protecteur de lame.
- Tout objet à travailler doit être préalablement fixé sur un support approprié.



AVERTISSEMENT: Arrêtez toujours l'appareil et débranchez-le du réseau avant d'effectuer sur celui-ci tout réglage et opération de service ou d'entretien, de même qu'en cas de baisse de tension du courant dans le secteur.

MARCHE - ARRÊT

- Marche: appuyer d'abord sur le bouton de blocage 1 et ensuite sur le levier de l'interrupteur 2.

- Arrêt: relâcher le levier de l'interrupteur 2.

MONTAGE DE LA LAME



AVERTISSEMENT: Débrancher la prise du réseau d'alimentation!

À l'arrêt, comme lors d'un travail à vide, la lame est couverte par le protège-lame¹⁰. Maintenir le protège-lame 10 dans cette position. Dévisser la vis 6 à l'aide de la clé six pans fournies avec la machine, en tenant, à l'aide de la clé, la rondelle de blocage 8 ou en bloquant la lame sur du bois. Démontez la rondelle 8, puis la lame. Le montage s'effectue dans l'ordre inverse. Les surfaces de la rondelle d'appui 5, la lame et la rondelle de blocage 8 doivent être propres. La lame de scie et le protecteur doivent être orientés dans la même position.

RÉGLAGE DU COUTEAU DIVISEUR

Le couteau diviseur 9 évite le pinçage de la lame dans le bois. Il doit être ajusté de manière à ce que la distance entre l'extrémité des dents et la profondeur de sciage, ne soit pas supérieure à 5 mm (voir dessin).

Ensuite, bien serrer le couteau diviseur à l'aide de la vis six pans 11, située sur le côté extérieur du protège-lame.

RÉGLAGE DE LA PROFONDEUR DE SCIAGE

La profondeur de sciage doit être supérieure de 5 mm environ à l'épaisseur du matériau. Desserrer la tige 3, régler la profondeur de sciage à l'aide de l'échelle 3 et revisser la tige 3. Le verrouillage doit être stable. Si nécessaire, régler le sous-ensemble de verrouillage.

RÉGLAGE DU VERROUILLAGE

Dévisser la vis de montage 14. Sortir la tige des cannelures. Tourner la tige dans le sens anti-horaire et la remettre en place en position opposée à l'initiale. Remettre en place et serrer la vis 14.

RÉGLAGE DE L'ANGLE DE SCIAGE

Desserrer l'écrou papillon 13, régler l'angle de sciage à l'aide de l'échelle 3 et revisser l'écrou papillon 13.

INDICATEUR DE SCIAGE

La fente droite sur le corps du côté du guide parallèle sert d'indicateur de sciage avec la lame perpendiculaire à la table de sciage, et la fente gauche sert de repère pour une coupe avec inclinaison de la lame à 45°. Il est conseillé de procéder à un essai au préalable.

GUIDE PARALLÈLE

Le guide parallèle 4 est utilisé pour des coupes parallèles par rapport au bord d'une pièce. Régler la largeur de sciage d'après l'échelle 4. Bien resserrer l'écrou papillon.

ACCESSOIRES QUI PEUVENT ÊTRE UTILISÉS AVEC LA MACHINE

Disque circulaire aux plaques apportées /alliage dur/
Diamètre extérieur - Ømax 150 mm
Diamètre du trou d'accrochage - Ø20 mm

VII – Maintenance



AVERTISSEMENT: Arrêtez toujours l'appareil et débranchez-le du réseau avant d'effectuer sur celui-ci tout réglage et opération de service ou d'entretien.

REPLACEMENT DES BALAIS

L'appareil est doté de balais qui se déconnectent automatiquement. Lorsque les balais sont usés, l'appareil se déconnecte de lui-même. Dans un tel cas, il faut remplacer à la fois les deux balais par des balais d'origine de SPARKY pour l'entretien de l'appareil dans le cadre de la garantie ou en dehors de celle-ci.

EXAMEN GENERAL

Vérifiez régulièrement tous les éléments de fixation pour vous assurer qu'ils sont solidement serrés. Si quelque vis s'est desserrée, resserrez-la immédiatement afin d'éviter tout risque. Si le câble d'alimentation est endommagé, il doit être remplacé par le producteur ou un spécialiste agréé par celui-ci afin d'éviter les éventuels risques liés à son remplacement.

NETTOYAGE

Pour assurer un fonctionnement sécurisé, entretenez toujours l'appareil et ses orifices de ventilation propres.

Vérifiez régulièrement si dans les orifices de ventilation du moteur électrique ou autour des commutateurs il n'y a pas de poussière ni de corps étrangers. Utilisez une brosse douce et/ou un jet d'air comprimé pour éliminer la poussière accumulée à ces endroits. Afin de protéger vos yeux, lors des opérations de nettoyage, portez des lunettes de protection.

Si le boîtier de l'appareil a besoin d'être nettoyé, essuyez-le à l'aide d'un chiffon doux humide. Vous pouvez utiliser un produit de nettoyage peu agressif.



AVERTISSEMENT: Il est interdit d'utiliser de l'alcool, de l'essence ou d'autres solvants. N'utilisez jamais des produits agressifs pour le nettoyage des pièces en matière plastique.



AVERTISSEMENT: Ne pas permettre à de l'eau à entrer en contact avec l'appareil.

AVIS IMPORTANT! Afin d'assurer la sécurité du travail avec l'appareil et le fonctionnement fiable de celui-ci, toutes les opérations de réparation, d'entretien et de réglage (y compris la vérification de l'état des balais et leur remplacement) doivent être effectuées dans les centres d'entretien agréés de SPARKY avec l'utilisation exclusive de pièces d'origine.

VIII - Garantie

La période de garantie des outils électroportatifs SPARKY est définie dans le contrat de garantie.

La garantie ne couvre pas les pannes apparues suite à l'usure naturelle, une surcharge ou une mauvaise exploitation.

Les pannes survenues pour cause de matériaux défectifs et/ou d'erreurs de fabrication seront réparées gratuitement ou le produit sera échangé.

Les réclamations pour un instrument SPARKY défectueux seront honorées si la machine est retournée au livreur ou est présentée à un service après-vente agréé assemblé et dans son état original (assemblée).

Notes

Lire attentivement les instructions avant d'utiliser ce produit.

Le producteur retient son droit d'améliorer ses produits et de changer les spécifications sans avis spécial.

Les spécifications peuvent varier selon le pays.

Содержание

I - Введение.....	27
II - Технические данные.....	29
III - Общие указания по безопасности при работе с электроинструментами	30
IV - Дополнительные указания по безопасности при работе с дисковыми пилами.....	32
V - Ознакомление с электроинструментом	A/33
VI - Указания к работе.....	B/34
VII - Обслуживание	35
VIII - Гарантия.....	36

РАСПАКОВКА

В соответствии с общепринятыми технологиями производства вероятность обнаружения неисправности новоприобретенного Вами электроинструмента или нехватки какой-нибудь из его частей весьма мала. Если все-таки Вы обнаружите любое несоответствие, просим не начинать использование электроинструмента перед заменой неисправной части или устранения дефекта. Невыполнение этой рекомендации может быть причиной серьезных несчастных случаев.

СГЛОБКА

Дисковая пила смонтирована перед упаковкой и отправкой, за исключением адаптера отвода пыли и параллельной направляющей.

I - Введение

Новоприобретенный Вами электроинструмент SPARKY превзойдет Ваши ожидания. Его производство подчиняется высоким стандартам качества SPARKY, отвечающим строгим требованиям потребителя. Удобный для обслуживания и безопасный в эксплуатации, этот электроинструмент при правильном употреблении будет служить безотказно долгие годы.

ПРЕДОСТЕРЕЖЕНИЕ!



Прочтите внимательно и целиком инструкцию по эксплуатации перед использованием новоприобретенного электроинструмента SPARKY. Обратите специальное внимание на параграфы, обозначенным словом “Предостережение”. У Вашего электроинструмента SPARKY много качеств, которые облегчают работу. При разработке этого инструмента основное внимание было направлено на безопасность, эксплуатационные качества и надежность, которые облегчают его обслуживание и эксплуатацию.



Не выбрасывать электроинструменты вместе с бытовыми отбросами!

Отбросы электрических изделий нельзя собирать вместе с бытовыми отбросами. Они должны быть рециклированы на местах, предназначенных специально для этих целей. Просим обратиться к местным властям или к нашему представителю для получения информации насчет рециклирования.

ЗАЩИТА ОКРУЖАЮЩЕЙ СРЕДЫ



Для предохранения окружающей среды электроинструменты, принадлежности и упаковки должны быть переработаны подходящим образом для повторно использования содержащихся в них материалов. Для облегчения процесса рециклирования детали, сделанные из искусственных материалов, обозначены соответствующим способом.

ОПИСАНИЕ СИМВОЛОВ

На табличке с данными электроинструмента нанесены специальные символы, содержащие важную информацию о продукте или инструкции по использованию.



Двойная изоляция для дополнительной защиты.



Резка под наклоном.



Подсоединение к пылесосу



Соответствие с европейскими стандартами безопасности.



Соответствует требованиям российским нормативным документам.




Ознакомьтесь с инструкцией по эксплуатации.

YYWww

Период производства, где переменные символы означают:
YY- последние две цифры года производства,
ww – очередная календарная неделя.

II - Технические данные

Модель	TK 50
Потребляемая мощность	800 W
Скорость вращения на холостом ходу	5800 min ⁻¹
Глубина резки	диск Ø150 mm
под углом 90°	50 mm
под углом 45°	32 mm
Максимальный диаметр режущего диска	150 mm
Минимальный диаметр режущего диска	140 mm
Диаметр посадочного отверстия	20 mm
Вес (EPTA процедура 01/2003)	3,3 kg
Класс защиты (EN 60745-1) 	II

ИНФОРМАЦИЯ О ШУМЕ И ВИБРАЦИЯХ

Значения замерялись в соответствии со стандартом EN 60745.

Излучение шума

A-взвешенный уровень звукового давления L _{рА}	97,0 dB (A)
Неопределенность K _{рА}	3,0 dB (A)
A-взвешенный уровень звуковой мощности L _{вА}	108,0 dB (A)
Неопределенность K _{вА}	3,0 dB (A)

Используйте средства для защиты от шума!

Излучение вибраций *

Суммарные значения вибраций (векторная сумма трех направлений) определенные в соответствии с EN 60745:

Резка в дереве	
Значение излученных вибраций a _н	4,5 m/s ²
Неопределенность K	1,5 m/s ²

* Уровень вибраций измерен в соответствии с т.6.2.7 EN 60745-1.

Указанный в настоящую инструкцию уровень вибраций измерен в соответствии с установленную EN 60745 методику испытаний и может использоваться для сравнения электроинструментов. Уровень вибраций может использоваться для предварительной оценки воздействия.

Указанный уровень вибраций дан при условии использования инструмента по его прямому назначению. В тех случаях, когда электроинструмент используется для других целей, с другими принадлежностями, уровень вибраций может отличаться от указанного. В этих случаях уровень воздействия может значительно возрасти в рамках общего периода работы.

Для точной оценки воздействия вибраций во время определенного периода работы необходимо учитывать промежутки времени, в которые электроинструмент выключен, либо хотя и включен, но фактически не используется. Это может существенно сократить воздействия вибраций в течение всего периода работы.

Сохраняйте электроинструмент и его принадлежности в хорошем состоянии. Во время работы старайтесь сохранять руки теплыми - это поможет уменьшить вредное воздействие при работе с повышенной вибрацией.

Пыль материалов, как с краски с содержанием свинца, некоторых сортов древесины, минералов и металла может быть вредной для здоровья. Прикосновение к пыли и попадание пыли в дыхательные пути может вызвать аллергические реакции и/или заболевания дыхательных путей оператора или находящегося вблизи персонала.

Определенные виды пыли, как из дуба и бука, считаются канцерогенными, особенно, совместно с присадками для обработки древесины (хромат, средство для защиты древесины). Материал с содержанием асбеста разрешается обрабатывать только специалистам.

- По возможности применяйте отсос пыли.
- Для достижения максимально высокой эффективности сбора пыли при работе с данным электроинструментом, используйте пылесос, предназначенный для сбора пыли из древесины или для пыли из древесины и/или минеральной пыли.

- Следите за хорошей вентиляцией.
 - Рекомендуется пользоваться дыхательной защитной маской с фильтром класса P2.
- Соблюдайте действующие в Вашей стране предписания для обрабатываемых материалов.

III - Общие указания по безопасности при работе с электроинструментами



ПРЕДОСТЕРЕЖЕНИЕ! Прочитайте все предупреждения и указания по безопасности. Несоблюдение предупреждений и указаний по безопасности может привести к поражению электрическим током, от пожара и/или серьезные ранения.

Сохраните все предупреждения и указания для дальнейшего использования.

Термин “электроинструмент” во всех указанных ниже предупреждениях касается вашего электроинструмента, с питанием от сети (с кабелем) и/или электроинструмент с питанием от аккумуляторной батареи (без кабеля).

1) Безопасность рабочего места

- а) Содержите рабочее место в чистоте и хорошо освещенным. Беспорядок и недостаточное освещение являются предпосылками трудовых инцидентов.
- б) Не работайте с электроинструментами во взрывоопасной атмосфере при наличии воспламеняющихся жидкостей, газов или пыли. Электроинструменты создают искры, которые могут воспалить пыль или пары.
- в) Держите детей и посторонних лиц на расстоянии, когда работаете с электроинструментом. Рассеивание может привести к потере контроля с Вашей стороны.

2) Электрическая безопасность

- а) Штепселя электроинструментов должны соответствовать контактному гнезду. Никогда не меняйте штепсель каким-либо способом. Не используйте какие-либо адаптерные штепселя для электроинструментов с защитным заземлением. Использование оригинальных штепселей и соответствующим

им контактов уменьшает риск от удара электрическим током.

- б) Избегайте соприкосновения тела с землей или с заземленными поверхностями, такими как трубы, радиаторы, кухонные плиты и холодильники. Если ваше тело заземлено, существует повышенный риск поражения электрическим током.
 - в) Не оставляйте электроинструменты под дождем или во влажной среде. Проникновение воды в электроинструменты повышает риск от поражения электрическим током.
 - г) Используйте кабель по назначению. Никогда не используйте кабель для переноса электроинструмента, натягивания или отключения штепселя из контактного гнезда. Держите кабель далеко от тепла, масла, острых углов или движущихся частей. Поврежденные или запутанные кабели повышают риск от поражений электрическим током.
 - д) Во время наружной работы с электроинструментом используйте удлинитель, подходящий для этих целей. Использование удлинителя, предназначенного для внешних /наружных/ работ, уменьшает опасность от поражения электрическим током.
 - е) В случае, если работа с электроинструментом во влажной среде неизбежна, используйте предохранительное устройство, которое задействовано от остаточного тока для прерывания подачи тока. Использование предохранительного устройства уменьшает риск от поражения электрическим током.
- #### 3) Личная безопасность
- а) Будьте бдительны, работайте с повышенным вниманием и проявляйте благоразумие, когда работаете с электроинструментом. Не используйте электроинструмент, когда вы устали или находитесь под влиянием наркотиков, алкоголя или медикаментов. Момент невнимания при работе с электроинструментом может привести к серьезной производственной травме.

- b) **Используйте индивидуальные средства защиты.** Носите всегда защитные очки. *Индивидуальные средства защиты, такие как маска против пыли, нескользкая обувь, защитный шлем или средства для защиты слуха, снижают риск от производственных травм.*
- c) **Избегайте невольного пуска инструмента.** Убедитесь, что выключатель находится в положение „выключено” перед включением к источнику питания и/или аккумуляторной батарее перед тем, как его возьмете в руки или переносите. *Ношение электроинструмента с пальцем на выключателе или подключение к источнику питания электроинструмента с выключателем во включенном положении является предпосылкой для производственной травмы.*
- d) **Удалите каждый ключ для затягивания или гаечный ключ перед включением электроинструмента.** *Ключ для затягивания или гаечный ключ, прикрепленный к вращающейся части электроинструмента, может привести к трудовому инциденту.*
- e) **Не перетягивайтесь.** Поддерживайте правильное положение и равновесие в течение всей работы. *Это позволит лучше управлять электроинструментом при неожиданных ситуациях.*
- f) **Носите подходящую рабочую одежду.** *Не носите широкую одежду или украшения. Держите свои волосы, одежду и перчатки далеко от движущихся частей. Широкая одежда, бижутерия или длинные волосы могут попасть в движущиеся части.*
- g) **Если электроинструмент снабжен приспособлением для пыли, убедитесь, что они правильно установлены и правильно используются.** *Использование этих устройств может понизить связанные с пылью опасности.*
- 4) Эксплуатация и уход за электроинструментами**
- a) **Не перегружайте электроинструмент.** **Используйте правильно выбранный электроинструмент согласно его предназначению.** *Правильно подобранный электроинструмент работает лучше и безопасней для обьявленного режима работы, для которого он спроектирован.*
- b) **Не используйте электроинструмент в случае, если выключатель не переключается во включенное и исключенное положение.** *Каждый электроинструмент, который не может управляться с помощью его выключателя, опасен и подлежит ремонту.*
- c) **Отключите штепсель от электросети перед тем, как начать любые настройки, перед заменой принадлежности или перед тем, как убрать электроинструмент для хранения.** *Эти меры предосторожности снижают риск невольного пуска электроинструмента.*
- d) **Сохраняйте неиспользованные электроинструменты в местах, недоступных для детей и не позволяйте обслуживающему персоналу, который не знаком с электроинструментом или инструкциями по эксплуатации, работать с ним.** *Электроинструменты являются опасными в руках необученных потребителей.*
- e) **Проверяйте электроинструменты.** **Проверяйте, работают ли нормально и движутся ли свободно движущиеся части, находятся ли в целости и исправности части, а также проверяйте все прочие обстоятельства, которые могут неблагоприятно повлиять на работу электроинструмента.** *Если он поврежден, электроинструмент необходимо отремонтировать перед его дальнейшим использованием. Много инцидентов причиняются от плохо обслуживенных электроинструментов.*
- f) **Поддерживайте режущие инструменты острыми и чистыми.** *Правильно поддержанные режущие инструменты с острыми режущими углами реже блокируются и проще управляются.*
- g) **Используйте электроинструмент, принадлежность и части инструмента и т.д. в соответствии с этими инструкциями и способом, предусмотренным для конкретного типа электроинструмента, имея ввиду рабочие условия и работу, которую необходимо выполнять.** *Использование электроинструмента для работы не по предназначению может привести к опасной ситуации.*
- 5) Обслуживание**
- a) **Ремонтируйте ваш электроинструмент у квалифицированного специалиста по ремонту, при этом используйте только оригинальные запасные час-**

ти. Это обеспечивает сохранение безопасности электроинструмента.

IV - Дополнительные указания по безопасности при работе с дисковыми пилами



Пользуйтесь средствами защиты слуха при продолжительной работе. Воздействие шума может привести к потере слуха.

- Всегда пользуйтесь дополнительной рукояткой, поставленную вместе с инструментом. Потеря контроля может привести к производственным травмам.



Во время работы используйте средства защиты зрения, чтобы предохраниться от выделяющихся частиц. Пользуйтесь защитными очками.



Берите предохранительные меры против вдоха пыли. Некоторые материалы могут содержать токсические составки. Пользуйтесь пылезащитной маской и устройством пылеотвода.

- В случае потенциальной возможности касания режущей принадлежности до скрытой электропроводки или до собственного питающего шнура, держите электроинструмент только за изолированные поверхности рукояток. Контакт принадлежности с токоведущим проводом ставит под напряжение также открытые металлические части электроинструмента и может привести к поражению оператора электрическим током.
- Не обрабатывайте материалы содержащих асбеста. Асбест считается канцерогенным веществом.
- Рекомендуется использование защитных рукавиц.



ПРЕДОСТЕРЕЖЕНИЕ: Прежде чем связать электроинструмент к сети питания, убедитесь, что питающее напряжение отвечает на указанном на табличке техническими данными электроинструмента..

- Если источник питания напряжением выше указанного для электроинструмента, то он может вызвать серьезное поражение электрическим током на оператора и повреждение электроинструмента.
- Если вы не уверены, не ставьте штепсель электроинструмента в розетке сети.
- Если источник питания напряжением ниже указанного на табличке электроинструмента, то он может привести к повреждению электродвигателя.
- Чтобы предотвратить эвентуального перегревания, всегда развивайте кабель с удлинителем с кабельным барабаном до конца.
- Когда необходимо использовать удлинителя, то убедитесь, что его сечение отвечает номинальному току использованного электроинструмента, а также и в исправности удлинителя.



ПРЕДОСТЕРЕЖЕНИЕ: Перед выполнением каких-либо работ по настройке, ремонту и обслуживанию, а также при отпадании напряжения питания обязательно выключить электроинструмент и вынуть штепсель из розетки.

- Перед началом работы устранить все гвозди, винты и прочие чужие тела из обрабатываемой детали. Контакт диска с гвоздем или другим металлическим предметом грозит повреждением диска и машины, а также может быть причиной несчастных случаев.
- Обрабатываемая деталь должна быть зафиксирована в тисках или другим подходящим способом.
- Не допускается включать электроинструмент под нагрузкой. Перед включением машины проверить, что диск не касается обрабатываемой поверхности.
- Во время работы всегда удерживайте машину обеими руками, стремясь к устойчивому положению корпуса. Электроинструмент направляется безопаснее, когда его удерживаете обеими руками.
- При выключении электроинструмента дождаться полного останова вращения диска перед отделением машины от обрабатываемой детали.
- После выключения пилы режущий диск не следует останавливать боковым нажимом.
- Не касаться режущего диска рукой сразу после работы. Режущий диск может быть

нагретый до высокой температуры, что грозит ожогом кожи рук.

- Не использовать режущие диски, чьи данные не соответствуют указанным в этой инструкции.
- Не применяйте тупые или поврежденные диски. Диски с тупыми или неправильно разведенными зубьями ведут в результате очень узкого пропила к повышенному трению, заклиниванию диска и к обратному удару.
- Не использовать режущие диски, основное тело которых толще, а ширина зубов с разводкой - меньше, чем толщина раскалывающего ножа, которая равняется 2 мм.
- Не снимать раскалывающего ножа, кроме как при врезании путем погружения.
- Не следует блокировать в положении «открыто» подвижный предохранитель, который полностью покрывает режущий диск между процессами резки.
- При блокировке режущего диска немедленно выключить машину (освобождается рычаг выключателя)
- Большие плиты должны надежно лежать на опоре для снижения опасности обратного удара при заклинивании пильного диска. Большие плиты прогибаются под собственным весом. Плиты должны лежать на опорах с обеих сторон, как вблизи пропила, так и с обоих концов.
- В рабочей области недопустимо наличие тряпок, полотенец, пакли, бечевки, шнуров и пр.
- Кабель питания должен находиться всегда вне рабочей зоны машины.
- Не использовать электроинструменты с поврежденным кабелем. Не касаться поврежденного кабеля. Вынуть немедленно штепсель из розетки, если повреждение кабеля наступило во время работы. Неисправность кабеля грозит токовым поражением.
- Электроинструмент использовать только по назначению. Любое другое приложение, отличающееся от указанного в настоящей инструкции, будет считаться неправильным использованием. Производитель не несет никакой ответственности за ущерб и травмы, являющиеся следствием неправильного использования.
- Для обеспечения правильной эксплуатации электроинструмента следует соблюдать правила безопасности, общие инструкции и указания по работе, перечисленные здесь. Все потребители должны быть ознакомле-

ны с настоящей инструкцией эксплуатации и предупреждены о потенциальных рисках, связанных с работой инструмента. Нельзя допускать дети и физически слабые особы к работе с электроинструментом. Дети, находящиеся в близости рабочей зоны машины, должны быть под непрерывным наблюдением. Принятие предупредительных мер безопасности обязательно. То же самое обязательно и касательно соблюдения основных правил профессиональной охраны здоровья и безопасности.

- Производитель не несет никакой ответственности за внесенные потребителем изменения и модификации машины, а также за повреждения и ущербы в результате таких изменений.
- Машину не следует использовать под открытым небом при дождливой погоде, во влажной среде (после дождя) или в близости легко воспламеняемых жидкостей и газов. Рабочее место должно быть хорошо освещено.

V - Ознакомление электроинструментом

До того, как приступить к работе с электроинструментом, познакомьтесь со всеми оперативными особенностями и условиями безопасности.

Используйте электроинструмент и его принадлежности только по назначению. Всякое другое применение абсолютно запрещено.

1. Блокирующая кнопка выключателя
2. Рычаг выключателя
3. Рычаг установки глубины резки/шкала
4. Параллельный кондуктор/шкала
5. Упорная шайба
6. Винт стягивания режущего диска
7. Подкладная шайба
8. Шайба прижима
9. Раскалывающий нож
10. Подвижный предохранитель
11. Винт закрепления раскалывающего ножа
12. Гнездо для отвода стружек
13. Гайка настройки резки под углом/шкала
14. Винт монтажный

VI - Указания к работе

Этот электроинструмент питается только однофазным переменным напряжением. Его можно включать в розетку питания без защитных клемм, так как у него двойная изоляция, согласно EN 60745-1 и IEC 60745. Радиопомехи соответствуют Директивы Европейского парламента и Совета 2004/108/ЕС относительно электромагнитной совместимости. Этот электроинструмент предназначен для продольного и поперечного пропила по древесине по прямой с углом отреза от 0° до 45°.

ПЕРЕД НАЧАЛОМ РАБОТЫ

- Проверьте соответствие напряжения электрической сети питания на указанном на табличке технических данных электроинструмента.
- Проверьте в какой позиции находится выключатель сети. Электроинструмент должен присоединяться и отделяться от сети питания только в отключенном положении выключателя сети. Если поставите штепсель в розетке питания пока выключатель находится в позиции "включено", то привод может задействоваться и это приведет к несчастному случаю.
- Убедитесь в исправности кабеля питания и штепселя. В случае обнаружения повреждения кабеля, его замена должна быть выполнена производителем или специалистом фирменного сервиса во избежание риска его замены.
- Проверьте состояние режущего диска. Употреблять только хорошо заточенные диски. Деформированные или с трещиной диски необходимо немедленно менять. Не употреблять режущие диски из быстрорежущей высоколегированной стали (HSS-сталь).
- Раскалывающий нож не должен упираться в режущий диск.
- Проверьте свободно ли движется подвижный предохранитель.
- Убедитесь в закреплённости детали или материала, который будет обрабатываться.



ПРЕДОСТЕРЕЖЕНИЕ: Перед выполнением каких-либо работ по настройке, ремонту и обслуживанию, а также при отпадании напряжения питания обязательно выключить электроинструмент и вынуть штепсель из розетки.

ВКЛЮЧЕНИЕ - ВЫКЛЮЧЕНИЕ

- Включение: нажмите на блокирующую кнопку 1 и после этого на рычаг выключателя 2.
- Выключение: отпустите рычаг выключателя 2.

МОНТАЖ РЕЖУЩЕГО ДИСКА



ПРЕДОСТЕРЕЖЕНИЕ: Выключите штепсель из электросети.

В состоянии покоя и при работе на холостом ходу режущий диск покрыт подвижным предохранителем 10. Подвижный предохранитель поворачивается и задерживается в этом положении. Шестигранным ключом развинчивается винт 6, при чем гаечным ключом придерживается шайба прижима 8 или режущий диск ставится на дерево. Демонтируется шайба 8 и режущий диск. Монтаж производится в обратном порядке. Опорные поверхности опорной шайбы 5, режущий диск и шайба прижима должны быть чистыми. Направление стрелок на режущем диске и на неподвижном предохранителе должны совпадать.

РЕГУЛИРОВКА РАСКАЛЫВАЮЩЕГО НОЖА

Раскалывающий нож 9 предотвращает заклинивание режущего диска. Он должен быть отрегулирован так, чтобы расстояние до верхушки зубов и до глубины резки было не больше, чем 5 мм (см. изображение). Крепко затягивается винтом с внутренним шестигранным 11, находящимся на задней стороне неподвижного предохранителя.

НАСТРОЙКА ГЛУБИНЫ РЕЗКИ

Глубину резки выбирают примерно на 5 мм больше толщины обрабатываемого материала. Следует высвободить рычаг 3, выбрать глубину по шкале 3 и затянуть рычаг 3 до упора. Застопоривание должно быть надежным. При необходимости следует отрегулировать стопорный узел.

УСТАНОВКА СТОПОРЕНИЯ

Ослабьте монтажный винт 14. Высвободите рычаг 3 из шлицев. Установите обратно рычаг 3 против часовой стрелки по отношению к первоначальному положению. Затяните монтажный винт 14.

НАСТРОЙКА УГЛА РЕЗКИ

Ослабляется крыльчатая гайка 13, настраивается угол резки по шкале 13 и снова затягивается крыльчатая гайка 13.

УКАЗАТЕЛЬ РЕЗКИ

Правая прорезь на панели со стороны параллельного кондуктора служит в качестве указателя при резке при вертикальном режущем диске, а левая прорезь - при наклоне режущего диска в 45°. Лучше всего предварительно сделать пробный срез.

ПАРАЛЛЕЛЬНЫЙ ОГРАНИЧИТЕЛЬ

При резке, параллельной оконечности детали, используется параллельный кондуктор 4. Ширина резки настраивается по шкале 4. Крыльчатую гайку необходимо хорошо затянуть.

ПРИНАДЛЕЖНОСТИ, КОТОРЫЕ МОГУТ БЫТЬ ИСПОЛЬЗОВАНЫ ЭТИМ ЭЛЕКТРОИНСТРУМЕНТОМ

Циркулярный диск с пластинами из твердых сплавов.

Наружный диаметр - Ømax150 mm

Диаметр посадочного отверстия - Ø20 mm

VII - Обслуживание



ПРЕДОСТЕРЕЖЕНИЕ: Всегда выключайте электроинструмент и вытаскивайте штепсель из розетки перед каждой проверкой или осуществлением ухода.

ЗАМЕНА ЩЕТОК

Электроинструмент оснащен самовыключающимися щетками. Когда щетки изнашиваются, машина выключается автоматически. В таком случае обе щетки должны быть заменены одновременно оригинальными щетками в сервисе SPARKY по гарантийному и внегарантийному обслуживанию.

ОБЩАЯ ПРОВЕРКА

Проверяйте регулярно все элементы крепления и убедитесь в том, что они крепко затянуты. В том случае, если какой-либо винт расслаблен, незамедлительно затяните его во избежание ситуаций, связанных с риском.

Если кабель питания поврежден, замена должна быть осуществлена производителем или его сервисным специалистом во избежание опасностей, связанных с заменой.

УБОРКА

Для безопасной работы всегда содержите машину и вентиляционные отверстия в чистоте

Регулярно проверяйте, не проникли ли в вентиляционные отверстия электродвигателя или около переключателей пыль или инородные тела. Используйте мягкую щетку и/или струю сжатого воздуха, чтобы устранить накопившуюся пыль. Для защиты глаз во время уборки носите защитные очки.

Если корпус машины нужно почистить, протрите его мягкой влажной тряпкой. Можно использовать слабый препарат для мытья.



ПРЕДОСТЕРЕЖЕНИЕ: Не допускается использование спирта, бензина или других растворителей. Никогда не используйте разъедающие препараты для чистки пластмассовых частей.



ПРЕДОСТЕРЕЖЕНИЕ: Не допускается контакт воды с машиной.

ВАЖНО! Чтобы обеспечить безопасную работу электроинструментом и его надежность, все действия по ремонту, обслуживанию и регулированию (включительно проверку и замену щеток) следует осуществлять в специализированных сервисах SPARKY с использованием только оригинальных резервных частей.

VIII - Гарантия

Гарантийный срок электроинструментов SPARKY указан в гарантийной карте.

Неисправности, появившиеся в результате естественного изнашивания, перегрузки или неправильной эксплуатации, не входят в гарантийные обязательства.

Неисправности, появившиеся вследствие применения некачественных материалов и/или из-за производственных ошибок, устраняются без дополнительной оплаты путем замены или ремонта.

Рекламации дефектного электроинструмента SPARKY принимаются в том случае, если машина будет возвращена поставщику, или специализированному гарантийному сервису в не разобранном (первоначальном) состоянии.

Замечания

Внимательно прочтите всю инструкцию по эксплуатации перед тем, как приступить к использованию этого изделия.

Производитель сохраняет за собой право вносить в свои изделия улучшения и изменения, а также изменять спецификации без предупреждения.

Спецификации для разных стран могут различаться.

Съдържание

I - Въведение	37
II - Технически данни	39
III - Общи указания за безопасност при работа с електроинструменти	40
IV - Допълнителни указания за безопасност при работа с циркулярни триони	42
V - Запознаване с електроинструмента	A/43
VI - Указания за работа	B/44
VII - Поддръжка	45
VIII - Гаранция	46

РАЗОПАКОВАНЕ

В съответствие с общоприетите технологии на производство е малко вероятно новопридобитият от Вас електроинструмент да е неизправен или някоя от частите му да липсва. Ако забележите, че нещо не е наред, не работете с електроинструмента, докато повредената част не бъде заменена или неизправността не бъде отстранена. Неспазването на тази препоръка може да доведе до сериозна трудова злополука.

СГЛОБЯВАНЕ

Циркулярният трион се доставя опакован и сглобен, с изключение на адаптера за прахоотвеждане и паралелния водач.

I - Въведение

Новопридобитият от Вас електроинструмент SPARKY ще надхвърли Вашите очаквания. Той е произведен в съответствие с високите стандарти на качеството на SPARKY, отговарящи на строгите изисквания на потребителя. Лесен за обслужване и безопасен при експлоатация, при правилна употреба този електроинструмент ще Ви служи надеждно дълги години.

ПРЕДУПРЕЖДЕНИЕ!



Внимателно прочетете цялата инструкция за използване преди да използвате новопридобития си електроинструмент SPARKY. Обърнете специално внимание на текстовете, които започват с думата “Предупреждение”. Вашият електроинструмент SPARKY притежава много качества, които ще улеснят Вашата работа. При разработката на този електроинструмент най-голямо внимание е обърнато на безопасността, експлоатационните качества и надеждността, които го правят лесен за поддръжка и експлоатация.



Не изхвърляйте електроинструменти заедно с битовите отпадъци!

Отпадъците от електрически изделия не трябва да се събират заедно с битовите отпадъци. Моля, рециклирайте на местата, предназначени за това. Свържете се с местните власти или представител за консултация относно рециклирането.

ОПАЗВАНЕ НА ОКОЛНАТА СРЕДА



С оглед опазване на околната среда електроинструментът, принадлежностите и опаковката трябва да бъдат подложени на подходяща преработка за повторно използване на съдържащите се в тях суровини.

За облекчаване на рециклирането детайлите, произведени от изкуствени материали, са обозначени по съответния начин.

ОПИСАНИЕ НА СИМВОЛИТЕ

Върху табелката с данни на електроинструмента са означени специални символи. Те предоставят важна информация за изделието или инструкци за неговото ползване.



Двойна изолация за допълнителна защита.



Рязане под наклон.



Свързване към прахосмукачка.



Съответствие с европейските стандарти за безопасност.



Съответства на изискванията на руските нормативни документи.



Запознайте се с инструкцията за използване.

YYWww

Период на производство, където променливи символи са:
YY - последните две цифри на годината на производство,
ww - поредна календарна седмица.

II - Технически данни

Модел	TK 50
Консумирана мощност	800 W
Обороти на празен ход	5800 min ⁻¹
Дълбочина на рязане:	за диск Ø150 mm
под ъгъл 90°	50 mm
под ъгъл 45°	32 mm
Макс. диаметър на режещия диск	150 mm
Мин. диаметър на режещия диск	140 mm
Диаметър на отвора за присъединяване	20 mm
Тегло (EPTA процедура 01/2003)	3,3 kg
Клас на защита (EN 60745-1) 	II

ИНФОРМАЦИЯ ЗА ШУМ И ВИБРАЦИИ

Стойностите са измерени съгласно EN 60745.

Излъчване на шум

A-претеглено ниво на звуково налягане L _{РА}	97,0 dB (A)
Неопределеност K _{РА}	3,0 dB (A)
A-претеглено ниво на звукова мощност L _{WA}	108,0 dB (A)
Неопределеност K _{WA}	3,0 dB (A)

Използвайте средства за защита от шума!

Излъчване на вибрации *

Обща стойност на вибрациите (векторна сума по трите оси), определена съгласно EN 60745:

Рязане на дърво	
Стойност на излъчените вибрации a _h	4,5 m/s ²
Неопределеност K	1,5 m/s ²

* Вибрациите са определени съгласно т. 6.2.7 на EN 60745-1.

Посоченото в тази инструкция ниво на вибрации е измерено в съответствие с методиката за изпитване, указана в EN 60745 и може да се използва за сравняване на електроинструменти. Нивото на вибрации може да се използва за предварителна оценка на степента на въздействие. Декларираното ниво на вибрации се отнася за основното предназначение на електроинструмента. В случаите, при които електроинструментът се използва за друго предназначение, с други принадлежности или ако електроинструментът не се поддържа добре, нивото на вибрации може се различава от посоченото. В тези случаи нивото на въздействие може значително да нарасне в границите на общия период на работа.

При оценката на нивото на въздействие на вибрации трябва също да се отчита времето, през което електроинструментът е изключен или е включен, но не се използва. Това може значително да понижи нивото на въздействие в границите на общия период на работа."

Поддържайте електроинструмента и принадлежностите в добро състояние. Пазете ръцете си топли по време на работа - това ще намали вредното въздействие при работа с повишени вибрации.

Прахът, отделян при обработването на материали като оловосъдържащи бои, някои видове дървесина, минерали и метали, може да бъде опасен за здравето. Допирът или вдишването на праха може да предизвика алергични реакции и/или заболявания на дихателните пътища на оператора или на намиращи се в близост лица.

Някои видове прах, например от дъб или бук, се считат за канцерогенни, особено в комбинация с добавки за обработка на дървесина (хромат, консерванти). Материал, който съдържа азбест, трябва да се обработва само от специалисти.

- Когато това е възможно, използвайте прахоотвеждане.
- За да се постигне висока степен на прахоулавяне, при работа с този електроинструмент използвайте прахосмукачка, предназначена за събиране на прах от дървесина или за прах от дървесина и/или минерален прах.

- Осигурете добра вентилация на работното място.
 - Препоръчва се използването на защитна маска за прах с филтър клас P2.
- Спазвайте действащите във вашата страна разпоредби за обработване на съответните материали.

III - Общи указания за безопасност при работа с електроинструменти



ПРЕДУПРЕЖДЕНИЕ! Четете всички предупреждения и указания за безопасност. Неспазването на предупрежденията и указанията за безопасност може да предизвика поражение от електрически ток, пожар и/или сериозно нараняване.

Запазете всички предупреждения и указания за бъдещо ползване.

Терминът "електроинструмент" във всички описани по-долу предупреждения се отнася до вашия електроинструмент, захранван от мрежата (с шнур) и/или електроинструмент, захранван от акумулаторна батерия (без шнур).

1) Безопасност на работното място

- Поддържайте работното място чисто и добре осветено. Безпорядъкът и недостатъчното осветление са предпоставка за трудови злополуки.
- Не работете с електроинструменти в експлозивни атмосфери при наличие на запалими течности, газове или прах. Електроинструментите образуват искри, които могат да възпламенят праха или парите.
- Дръжте децата и страничните лица на разстояние, когато работите с електроинструмент. *Разсейването може да доведе до загуба на контрол от Ваша страна.*

2) Електрическа безопасност

- Щепселите на електроинструментите трябва да съответстват на контактите. Никога не променяйте щепсела по какъвто и да било начин. Не използвайте каквито и да са адаптерни щепсели за електроинструменти със защитно заземяване. *Употребата на непроменен*

ни щепсели и съответстващите им контакти намалява риска за поражение от електрически ток.

- Избягвайте допир на тялото до земя или до заземени повърхности, такива като тръби, радиатори, кухненски печки и хладилници. *Ако тялото ви е заземено, съществува повишен риск от поражение от електрически ток.*
- Не излагайте електроинструментите на дъжд или във влажна среда. *Проникването на вода в електроинструмента повишава риска от поражение от електрически ток.*
- Използвайте шнура по предназначение. Никога не използвайте шнура за носене на електроинструмента, опъване или изваждане на щепсела от контактното гнездо. Дръжте шнура далече от топлина, масло, остри ръбове или движещи се части. *Увредени или оплетени шнурове повишават риска за поражение от електрически ток.*
- При работа с електроинструмента на открито, използвайте удължител, подходящ за работа на открито.
- Ако работата с електроинструмента във влажна среда е неизбежна, използвайте предпазно устройство, задействано от остатъчен ток, за прекъсване на захранването. *Използването на предпазно устройство намалява риска от поражение от електрически ток.*

3) Лична безопасност

- Бъдете бдителни, работете с повишено внимание и проявявайте благоразумие, когато работите с електроинструмент. Не използвайте електроинструмента, когато сте уморени или под влияние на наркотици, алкохол или медикаменти. *Момент на невнимание при работа с електроинструмент може да предизвика сериозна трудова злополука.*
- Използвайте лични предпазни средства. Носете винаги средства за защита на очите. *Лични предпазни средства, като маска против прах, неплъзгащи се безопасни обувки, защитен шлем*

или средства за защита на слуха, използвани при конкретните условия, намаляват риска от трудови злополуки.

- c) Избягвайте неволно пускане. Убедете се, че прекъсвачът е в изключено положение преди включване към източник на хранване и/или акумулаторна батерия, преди да го вземете или пренасяте. Носенето на електроинструмент с пръст върху прекъсвача или свързането към източник на хранване на електроинструмент с прекъсвач във включено положение е предпоставка за трудова злополука.
- d) Отстранете всеки ключ за затягане или гаечен ключ преди включване на електроинструмента. Ключ за затягане или гаечен ключ, прикрепен към въртящата се част на електроинструмента, може да предизвика трудова злополука.
- e) Не се пресягайте. Поддържайте правилен стоеж и равновесие през цялото време. Това позволява по-добро управление на електроинструмента при неочаквани ситуации.
- f) Носете подходящо работно облекло. Не носете широки дрехи или бижута. Дръжте косите си, дрехите и ръкавиците далеч от движещи се части. Широки дрехи, бижута или дълги коси могат да се захванат от движещи се части.
- g) Ако електроинструментът е снабден с приспособления за засмукване и улавяне на прах, убедете се, че те са свързани и правилно използвани. Използването на тези устройства може да намали свързаните с прах опасности.
- 4) Използване и грижи за електроинструментите**
- a) Не претоварвайте електроинструмента. Използвайте правилно избрания електроинструмент според приложението. Правилно избраният електроинструмент работи по-добре и по-безопасно при обявения режим на работа, за който е проектиран.
- b) Не използвайте електроинструмента, ако прекъсвачът не превключва във включено и изключено положение. Всеки електроинструмент, който не може да бъде управляван с прекъсвач, е опасен и трябва да бъде ремонтиран.
- c) Разединете щепсела от захранващата мрежа преди да извършите всякакви настройки, преди замяна на принадлежности или преди да приберете електроинструмента за съхранение. Тези предпазни мерки за безопасност намаляват риска от неволно пускане на електроинструмента.
- d) Съхранявайте неизползваните електроинструменти на места, недостъпни за деца и не позволявайте на обслужващи лица, които не познават електроинструмента или не са запознати с тези инструкции, да работят с него. Електроинструментите са опасни в ръцете на необучени потребители.
- e) Поддържайте електроинструментите. Проверявайте движещите се части дали функционират нормално и се движат свободно, целостта и изправността на частите, както и за всякаво друго обстоятелство, което може неблагоприятно да повлияе на работата на електроинструмента. Ако е повреден, електроинструментът трябва да бъде ремонтиран преди по-нататъшно използване. Много злополуки са причинени от лошо поддържани електроинструменти.
- f) Поддържайте режещите инструменти остри и чисти. Правилно поддържаните режещи инструменти с остри режещи ръбове е по-малко вероятно да блокират и са по-лесни за управление.
- g) Използвайте електроинструмента, принадлежностите и частите на инструмента и т.н. в съответствие с тези инструкции и по начин, предвиден за конкретния тип електроинструмент, като вземате предвид работните условия и работата, която трябва да се извършва. Използването на електроинструмента за работа, различна от тази, за която е проектиран, може да предизвика опасна ситуация.
- 5) Обслужване**
- a) Поддържайте вашата електроинструмент при квалифициран специалист по ремонта, като използвате само оригиналните резервни части. Това осигурява запазването на безопасността на електроинструмента.

IV - Допълнителни указания за безопасност при работа с циркулярни триони



Използвайте средства за защита на слуха при продължителна работа. Интензивният шум по време на работа може да предизвика слухови увреждания.

- Винаги използвайте допълнителната ръкохватка, доставена с машината. Загубата на контрол може да предизвика трудова злополука.



По време на работа използвайте средства за защита на зрението, за да се предпазите от хвърлящи частици. Носете защитни очила.



Вземете предпазни мерки срещу вдишване на прах. Някои материали могат да съдържат токсични съставки. Носете прахозащитна маска. Използвайте устройство за прахоотвеждане.

- Дръжте електроинструмента само за изолитраните повърхности за захващане когато извършвате операция, при която режещата принадлежност може да допре до скрита ел.инсталация или до собствения шнур. Допирът на режещата принадлежност до проводник под напрежение ще постави откритите метални части на електроинструмента под напрежение и операторът ще получи токов удар.
- Не обработвайте материали, съдържащи азбест. Азбестът се счита за канцерогенно вещество.
- Препоръчва се използването на защитни ръкавици.



ПРЕДУПРЕЖДЕНИЕ: Преди да свържете електроинструмента към захранващата мрежа, убедете се че захранващото напрежение отговаря на посоченото върху табелката с технически данни на електроинструмента.

- Източник на захранване с напрежение, по-високо от посоченото за електроинструмента, може да предизвика как-

то сериозно поражение от електрически ток върху оператора, така и повреда на електроинструмента.

- Ако имате някакви колебания, не поставяйте щепсела на електроинструмента в контактното гнездо.
- Използването на източник на захранване с напрежение, по-ниско от обозначеното върху табелката на електроинструмента, ще увреди електродвигателя.
- За да се предотврати евентуално прегряване, винаги развийте докрай кабела от удължител с кабелен барабан.
- Когато се налага използването на удължител, убедете се, че сечението му отговаря на номиналния ток на използвания електроинструмент, както и в изправността на удължителя.



ПРЕДУПРЕЖДЕНИЕ: Винаги изключвайте електроинструмента и изваждайте щепсела от контакта преди извършване на всякава настройка, обслужване или поддръжка и при отпадане на захранващото напрежение.

- Преди започване на работа отстранете от обработвания детайл всички гвоздеи, винтове и други тела. При връзване в гвоздей или друго метално тяло можете да повредите диска и електроинструмента, което е предпоставка за трудова злополука.
- Фиксирайте обработвания детайл в менгеие или по друг подходящ начин.
- Не включвайте машината под товар. Преди да включите машината се убедете, че дискът не допира обработваната повърхност.
- Докато работите винаги дръжте машината здраво с двете си ръце и поддържайте стабилно положение на тялото. Електроинструментът се направлява безопасно, когато го държите с две ръце.
- Винаги изключвайте електроинструмента и изчакайте до пълното спиране на въртене на диска, преди да отдръпнете машината от обработвания детайл.
- След изключване режещият диск да не се спира чрез страничен натиск.
- Не докосвайте диска веднага след преустановяване на работа с него. Дискът може да бъде много горещ и да получите изгаряне на кожата.
- Да не се използват режещи дискове, чиито данни не съответстват на посочените в тази инструкция.

- Не използвайте износени или повредени режещи дискове. Когато дисковете са износени или с неправилно извършен чапраз, разрязваната междина е тясна, поради което силно се увеличават триенето, както и опасността от заклиняване и откат.
- Да не се използват режещи дискове, чието основно тяло е по-дебело, а ширината на зъбите с чапказа - по-малка от дебелината на процепващия нож, която е 2 mm.
- Процепващият нож да не се сваля, освен при връзване чрез потапяне.
- Подвижният предпазител, който покрива напълно режещия диск между отделните операции, да не се блокира в положение "отворено".
- При блокиране на режещия диск веднага да се изключи машината (освобождава се лостът на прекъсвача).
- Когато разрязвате големи плочи, ги подпирайте, за да намалите опасността от заклиняване на режещия диск и откат. Големите плочи могат да се огънат под действие на силата на собствената си тежест. Плочите трябва да бъдат подпирани и от двете страни, както в близост до среза, така и в отдалечените им краища.
- В работната област не се допуска наличие на парцали, кърпи, кълчища, канап, шнурове и др.
- Дръжте захранващия кабел извън работния обхват на машината.
- Не използвайте електроинструмента с повреден кабел. Не докосвайте повредения кабел и извадете щепсела от контакта, ако кабелът се повреди по време на работа. Повредените кабели повишават риска от токов удар.
- Електроинструментът трябва да се използва само по предназначение. Всякаква друга употреба, различаваща се от описаната в тази инструкция, ще се счита за неправилна употреба. Отговорността за всякаква повреда или нараняване, произтичащи от неправилна употреба, ще се носи от потребителя, а не от производителя.
- За да експлоатирате правилно този електроинструмент, трябва да съблюдавате правилата за безопасност, общите инструкции и указанията за работа, посочени тук. Всички потребители трябва да са запознати с тази инструкция за експлоатация и информирани за потенциалните рискове при работата с електроинструмента. Деца и физически слаби хора не трябва да използват електроинструмента. Децата трябва

ва да бъдат под непрекъснато наблюдение ако се намират в близост до място, където се работи с електроинструмента. Задължително е да предприемете и превантивни мерки за безопасност. Същото се отнася и за спазването на основните правила за професионалното здраве и безопасност.

- Производителят не носи отговорност за извършени от потребителя промени върху електроинструмента или за повреди, предизвикани от подобни промени.
- Електроинструментът е предназначен за работа в помещения и зони с нормална пожарна опасност съгласно "Наредба №2 "Противопожарни строително-технически норми". Не се допуска използването му във взривоопасна и пожароопасна среда, при температура на околния въздух над 40°C, в особено влажна среда, при наличие на валяжи и в химически активна среда. Работното място трябва да е добре осветено.

V - Запознаване с електроинструмента

Преди да започнете да работите с електроинструмента се запознайте с всички оперативни особености и условия за безопасност.

Използвайте електроинструмента и принадлежностите му само по предназначение. Всяко друго приложение е изрично забранено.

1. Блокиращ бутон на прекъсвача
2. Лост на прекъсвача
3. Лост за фиксиране дълбочината на рязане/скала
4. Паралелен водач/скала
5. Упорна шайба
6. Винт за стягане на режещия диск
7. Подложна шайба
8. Притискаща шайба
9. Процепващ нож
10. Подвижен предпазител
11. Винт за закрепване на процепващия нож
12. Гнездо за отвеждане на стърготините
13. Гайка за настройване на рязането под наклон/скала
14. Винт монтаж

VI - Указания за работа

Този електроинструмент се захранва само с еднофазно променливо напрежение. Може да се присъединява към контакти без защитни клеми, тъй като е с двойна изолация съгласно EN 60745-1 и IEC 60745. Радиосмущенията съответстват на Директивата за електромагнитна съвместимост 2004/108/ЕС. Този електроинструмент е предназначен за надлъжно и напречно рязане на дърво по права линия с ъгъл на среза от 0° до 45°.

ПРЕДИ ДА ЗАПОЧНЕТЕ РАБОТА

- Проверете дали напрежението на електрическата мрежа отговаря на това, означено върху табелката с технически данни на електроинструмента.
- Проверете в какво положение се намира прекъсвачът. Електроинструментът трябва да се присъединява и отделя от захранващата мрежа само при изключен прекъсвач. Ако поставите щепсела в контакт докато прекъсвачът е във включено положение, електроинструментът веднага ще се задейства, което е предпоставка за злополука.
- Убедете се в изправността на захранващия кабел и щепсел. Ако захранващият кабел е повреден, замената трябва да се извърши от производителя или от негов сервизен специалист, за да се избегнат опасностите от замената.
- Проверете състоянието на режещия диск. Да се употребяват само добре заточени дискове. Спукани или деформирани дискове да се сменят веднага. Да не се употребяват режещи дискове от високолегирана бързорезеща (HSS) стомана.
- Процепващият нож да не опира в режещия диск.
- Проверете дали подвижният предпазител се движи свободно.
- Здраво ли е закрепен детайлът или материалът, който ще се обработва.



ПРЕДУПРЕЖДЕНИЕ: Винаги изключвайте електроинструмента и изваждайте щепсела от контакта преди извършване на всякаква настройка, обслужване или поддръжка и при отпадане на захранващото напрежение.

ПУСКАНЕ - СПИРАНЕ

- Пускане: натиска се блокиращият бутон 1 и след това - лостът на прекъсвача 2.
- Спиране: отпуска се лостът на прекъсвача 2.

МОНТИРАНЕ НА РЕЖЕЩИЯ ДИСК



ПРЕДУПРЕЖДЕНИЕ: Изключете щепсела от захранващата мрежа!

В покой и при работа на празен ход режещият диск е покрит от подвижния предпазител 10. Подвижният предпазител 10 се обръща и се задържа в това положение. С шестостенния ключ се развива винт 6, като с гаечен ключ се държи притискащата шайба 8 или режещият диск се поставя върху дърво. Демонтират се шайба 8 и режещия диск. Монтирането става в обратен ред. Опорните повърхнини на упорната шайба 5, режещия диск и притискащата шайба 8 трябва да бъдат чисти. Посоките на стрелките върху режещия диск и неподвижния предпазител трябва да съвпадат.

РЕГУЛИРАНЕ НА ПРОЦЕПВАЩИЯ НОЖ

Процепващият нож 9 предотвратява закливането на режещия диск при надлъжно рязане. Той трябва да бъде регулиран така, че разстоянието до върховете на зъбите и до дълбочината на рязане да бъде не повече от 5 mm (виж изображението). Притяга се добре чрез винта с вътрешен шестостен 11, намиращ се от задната страна на неподвижния предпазител.

НАСТРОЙВАНЕ ДЪЛБОЧИНАТА НА РЯЗАНЕ

Дълбочината на рязане се избира да бъде около 5 mm по-голяма от дебелината на материала. Разхлабва се лост 3, настройва се дълбочината на рязане по скала 3 и лост 3 се затяга отново. Ако е необходимо, регулирайте застопоряващия възел.

РЕГУЛИРАНЕ НА ЗАСТОПОРЯВАНЕТО

Развийте монтажния винт 14. Извадете лоста 3 от шлиците. Монтирайте обратно лоста 3 в положение, завъртяно обратно на часовниковата стрелка, спрямо първоначалното.

Монтирайте обратно и затегнете монтажния винт 14.

НАСТРОЙВАНЕ ЪГЪЛА НА РЯЗАНЕ

Разхлабват се гайки 13, настройва се ъгълът на рязане по скала 13 и се затягат отново гайки 13.

УКАЗАТЕЛ НА РЯЗАНЕТО

Десният прорез върху плота от страната на паралелния водач (маркирана с "0°") служи като указател при рязането с вертикален режещ диск, а левият прорез - при наклон на режещия диск 45°. Най-добре е да се направи предварително пробен срез.

ПАРАЛЕЛЕН ОГРАНИЧИТЕЛ

При рязане, успоредно на ръба на детайла, се използва паралелният водач 4. Ширината на рязане се настройва по скала 4. Необходимо е крилчатата гайка да се затегне добре.

ПРИНАДЛЕЖНОСТИ, КОИТО МОГАТ ДА БЪДАТ ИЗПОЛЗВАНИ С ТОЗИ ЕЛЕКТРОИНСТРУМЕНТ

Циркулярен диск с твърдосплавни пластини
Външен диаметър - Ømax150 mm
Диаметър на отвора за присъединяване - Ø20 mm

VII - Поддръжка



ПРЕДУПРЕЖДЕНИЕ: Винаги изключвайте електроинструмента и изваждайте щепсела от контакта преди всякаква проверка или поддръжка.

ПОДМЯНА НА ЧЕТКИТЕ

Електроинструментът е снабден със самоизключващи се четки. Когато четките се износят, двете четки трябва да се подменят едновременно с оригинални четки в сервис на SPARKY за гаранционна и извънгаранционна поддръжка."

ОБЩА ПРОВЕРКА

Проверявайте редовно всички крепежни елементи и се уверете, че те са здраво притегнати. В случай, че някой от винтовете се е разхлабил, го затегнете незабавно, за да избегнете рискови ситуации.

Ако охранващият кабел е повреден, замяната трябва да се извърши от производителя или негов сервизен специалист, за да се избегнат опасностите от замяната.

ПОЧИСТВАНЕ

За безопасна работа поддържайте винаги чисти машината и вентилационните отвори. Редовно проверявайте дали във вентилационната решетка близо до електродвигателя или около превключвателите не е проникнал прах или чужди тела. Използвайте мека четка за да отстраните събрания се прах. За да предпазите очите си, по време на почистването носете защитни очила.

Ако корпусът на машината се нуждае от почистване, избършете го с мека влажна кърпа. Може да се използва слаб препарат за миене.



ПРЕДУПРЕЖДЕНИЕ: Не се допуска употребата на спирт, бензин или други разтворители. Никога не използвайте разяждащи препарати за почистване на пластмасовите части.



ПРЕДУПРЕЖДЕНИЕ: Не се допуска влизането на вода в контакт с машината.

ВАЖНО! За да се осигури безопасната работа с електроинструмента и неговата надеждност, всички дейности по ремонта, поддръжката и регулирането (включително проверката и подмяната на четките) трябва да се извършват в оторизираните сервиси на SPARKY с използване само на оригинални резервни части.

VIII - Гаранция

Гаранционният срок на електроинструментите SPARKY се определя в гаранционна карта.

Неизправности, появили се в следствие на естествено износване, претоварване или неправилна експлоатация, се изключват от гаранционните задължения.

Неизправности, появили се в следствие на влагане на некачествени материали и/или производствени грешки, се отстраняват без допълнително заплащане чрез замяна или ремонт.

Рекламация на дефектирал електроинструмент SPARKY се признава, когато машината се върне на доставчика или се представи на оторизиран гаранционен сервис в неразглобено (първоначално) състояние.

Забележки

Внимателно прочетете цялата инструкция преди да използвате това изделие.

Производителят си запазва правото да въвежда подобрения и промени в своите изделия и да променя спецификациите без предупреждение.

Спецификациите могат да се различават за отделните страни.

