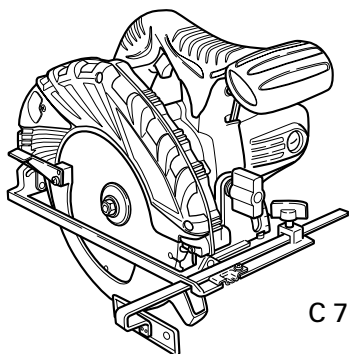


# HITACHI

**Circular Saw**  
**Kreissäge**  
**Scie circulaire**  
**Sega circolare**  
**Cirkelzaagmachine**  
**Sierra circular**  
**Serra circular**

**C 6U2 • C 6BU2 • C 7U2 • C 7BU2**



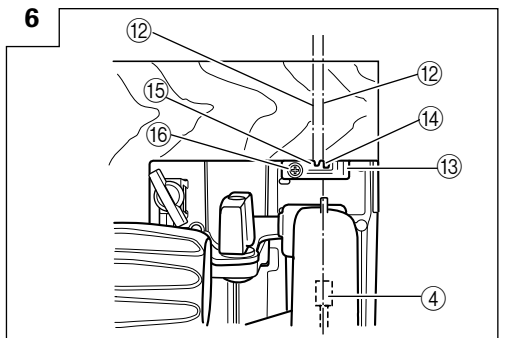
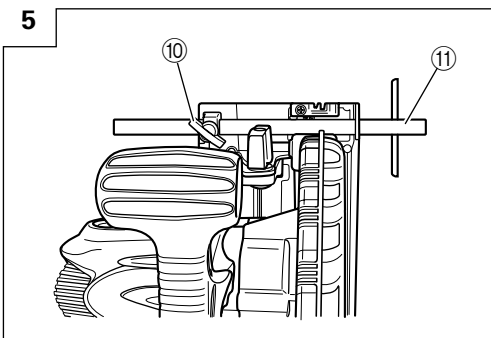
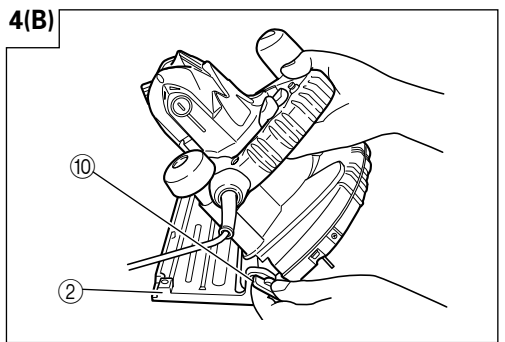
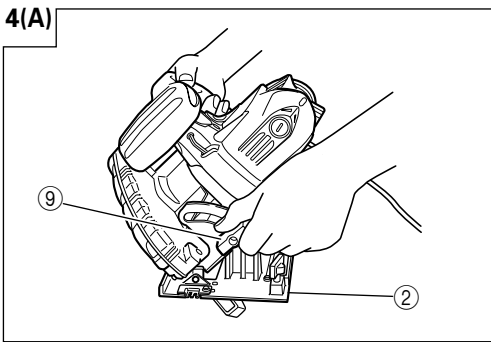
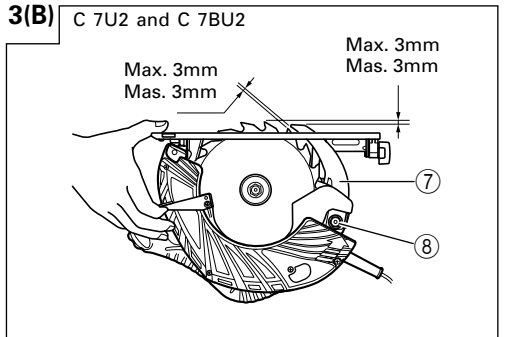
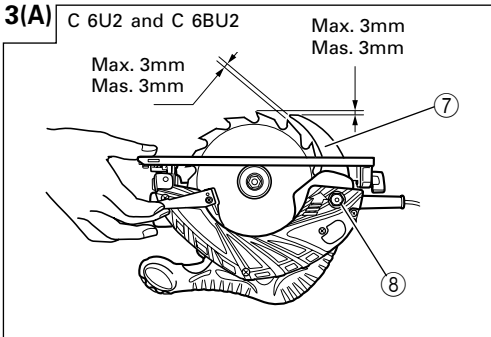
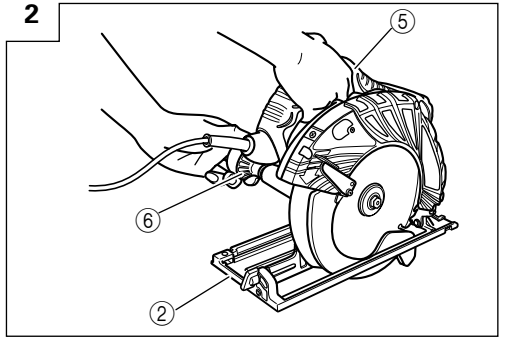
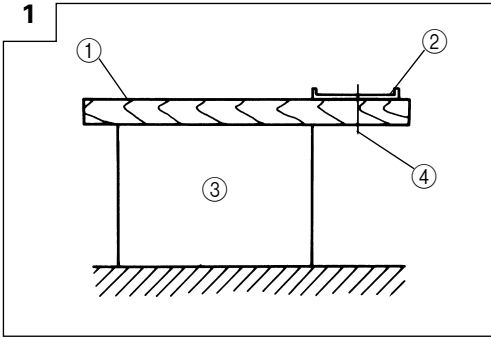
C 7U2

Read through carefully and understand these instructions before use.  
Diese Anleitung vor Benutzung des Werkzeugs sorgfältig durchlesen und verstehen.  
Lire soigneusement et bien assimiler ces instructions avant usage.  
Prima dell'uso leggere attentamente e comprendere queste istruzioni.  
Deze gebruiksaanwijzing s.v.p. voor gebruik zorgvuldig doorlezen.  
Leer cuidadosamente y comprender estas instrucciones antes del uso.  
Antes de usar, leia com cuidado para assimilar estas instruções.

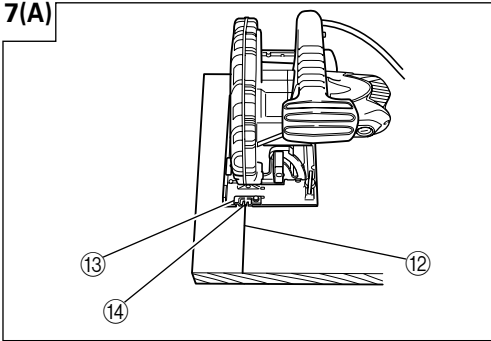


Handling instructions  
Bedienungsanleitung  
Mode d'emploi  
Istruzioni per l'uso  
Gebruiksaanwijzing  
Instrucciones de manejo  
Instruções de uso

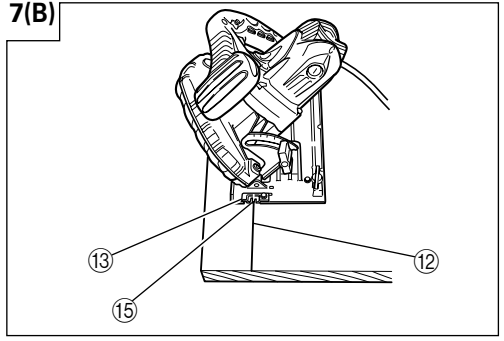
**Hitachi Koki**



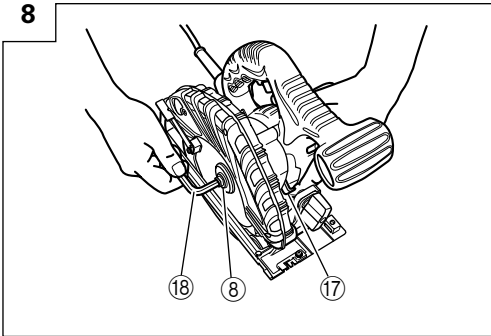
7(A)



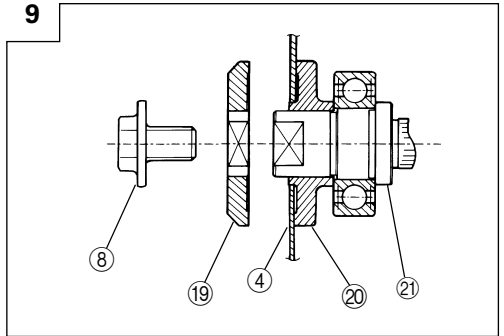
7(B)



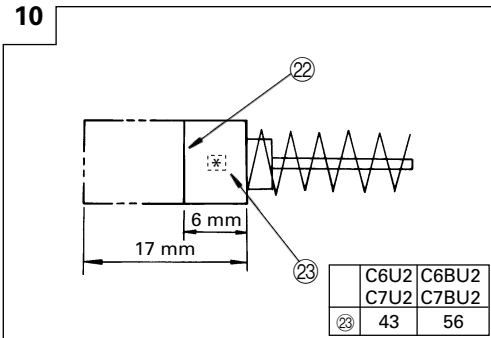
8



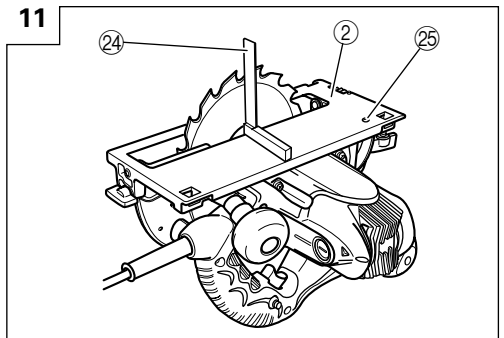
9



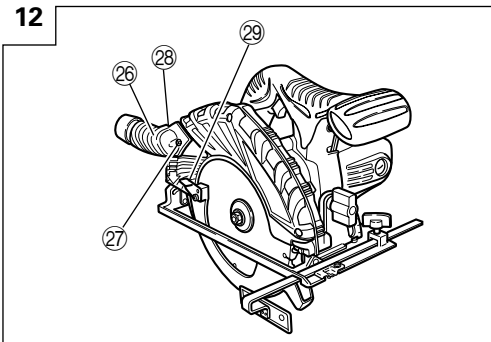
10



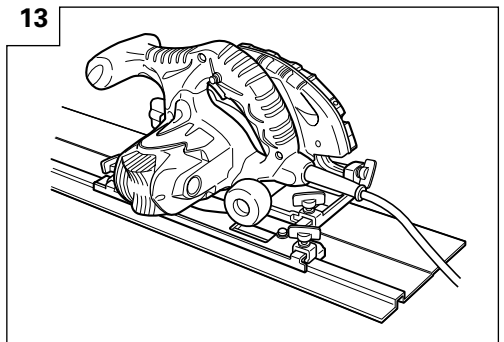
11



12











13



	English	Deutsch	Français	Italiano
①	Lumber	Schnittholz	Bois	Legno
②	Base	Grundplatte	Base	Base
③	Workbench	Werkbank	Etabli	Banco di lavoro
④	Saw blade	Sägeblatt	Lame de la scie	Lame della sega
⑤	Handle	Handgriff	Poignée	Mano
⑥	Knob	Stellknopf	Bouton	Manopola
⑦	Riving knife	Spaltkeil	Lame fendue	Coltello
⑧	Hexagonal-socket bolt	Sechskantschraube	Boulon à tête hexagonale	Bullone esagonale
⑨	Wing-nut	Flügelschraube	Boulon-papillon	Dado a farfalla
⑩	Wing-bolt	Fügelschraube	Boulon-papillon	Bullone a farfalla
⑪	Guide	Führung	Guide	Guida
⑫	Premarked line	Versetzt-Markierung	Ligne de repère	Traccia del taglio
⑬	Guide piece	Führungstück	Pièce de guidage	Parte di guida
⑭	Front scale when not inclined	Frontskala wenn nicht geneigt	Echelle avant quand non incliné	Scala frontale non inclinata
⑮	Front scale at 45° incline	Frontskala bei 45° -Neigung	Echelle avant quand incliné à 45°	Scala frontale inclinata a 45°
⑯	M4 Screw	M4 Schraube	Vis de M4	Vite de M4
⑰	Lock lever	Sperrhebel	Levier de blocage	Leva di bloccaggio
⑱	Hex. bar wrench	Sechskantschlüssel	Clé à barre hex.	Chiave esagonale
⑲	Washer (B)	Unterlegscheibe (B)	Rondelle (B)	Rondella (B)
⑳	Washer (A)	Unterlegscheibe (A)	Rondelle (A)	Rondella (A)
㉑	Spindle	Achse	Arbre	Asse
㉒	Wear limit	Verschleißgrenze	Limite d'usure	Limite di usura
㉓	No. of carbon brush	Nr. der Kohlebürste	No. du balai en carbone	N. della spazzola di carbone
㉔	Square	Winkel	Equerre	Squadra
㉕	Slotted set screw	Schaftschraube	Vis sans fin	Vite senza fine
㉖	Dust collector	Staubsauger	Collecteur à poussière	Raccogliipolvere
㉗	M5 Screw	M5-Schraube	Vis M5	Vite M5
㉘	M4 Screw	M4-Schraube	Vis M4	Vite M4
㉙	Lever (short type)	Hebel (kurz)	Levier (type court)	Leva (tipo corto)

	Nederlands	Español	Português
①	Zaaghout	Madera útil	Madeira
②	Basisplaat	Base	Base
③	Werkbank	Banco de trabajo	Bancada de trabalho
④	Zaagblad	Cuchilla de sierra	Lâmina de serra
⑤	Handgreep	Mango	Cabo
⑥	Knop	Perilla	Comando
⑦	Splijtwig	Cuchilla hendidora	Lâmina fendida
⑧	Imbusbout	Perno de cabeza hexagonal	Parafuso de cabeça sextavada
⑨	Vleugelmoer	Perno de mariposa	Porca de orelhas
⑩	Vleugelmoer	Perno de mariposa	Parafuso-borboleta
⑪	Aanslagplaat	Guía	Guarda
⑫	Markeerlijn	Línea de trazado	Linha de referência
⑬	Geleider	Pieza guía	Peça de guarda
⑭	Voorste schaal bij niet hellend zaagblad	Escala frontal sin inclinación	Escala frontal sem inclinação
⑮	Voorste schaal bij hellend zaagblad (45°)	Escala frontal con 45° de inclinación	Escala frontal com 45° de inclinação
⑯	M4 schroef	Tornillo M4	Parafuso M4
⑰	Palhefboom	Palanca de cierre	Alavanca de bloqueio
⑱	Steeksleutel	Llave de barra hexagonal	Chave de barra sextavada
⑲	Onderlegschiif (B)	Arandela (B)	Arruela (B)
⑳	Onderlegschiif (A)	Arandela (A)	Arruela (A)
㉑	As	Husilio	Eixo
㉒	Slijtagegrens	Límite de uso	Limite de desgaste
㉓	Nr. van de koolborstel	No. de carbón de contacto	N° de escova de carvão
㉔	Windelhaak	Escuadra	Esquadro
㉕	Koploze schroef	Vástago	Parafuso de cabeça ranhurada
㉖	Stof-verzamelaar	Colector de polvo	Coletor de pó
㉗	M5-schroef	Tornillo M5	Parafuso M5
㉘	M4-schroef	Tornillo M4	Parafuso M4
㉙	Hefboom (korte type)	Palanca (tipo corta)	Alavanca (curta)

	<b>Symbols</b> <b>⚠️ WARNING</b> The following show symbols used for the machine. Be sure that you understand their meaning before use.	<b>Symbole</b> <b>⚠️ WARNUNG</b> Die folgenden Symbole werden für diese Maschine verwendet. Achten Sie darauf, diese vor der Verwendung zu verstehen.	<b>Symboles</b> <b>⚠️ AVERTISSEMENT</b> Les symboles suivants sont utilisés pour l'outil. Bien se familiariser avec leur signification avant d'utiliser l'outil.	<b>Simboli</b> <b>⚠️ AVVERTENZA</b> Di seguito mostriamo i simboli usati per la macchina. Assicurarsi di comprenderne il significato prima dell'uso.
	<b>Read all safety warnings and all instructions.</b> Failure to follow the warnings and instructions may result in electric shock, fire and/or serious injury.	<b>Lesen Sie sämtliche Sicherheitshinweise und Anweisungen durch.</b> Wenn die Warnungen und Anweisungen nicht befolgt werden, kann es zu Stromschlag, Brand und/oder ernsthaften Verletzungen kommen.	<b>Lire tous les avertissements de sécurité et toutes les instructions.</b> Tout manquement à observer ces avertissements et instructions peut engendrer des chocs électriques, des incendies et/ou des blessures graves.	<b>Leggere tutti gli avvertimenti di sicurezza e tutte le istruzioni.</b> La mancata osservanza degli avvertimenti e delle istruzioni potrebbe essere causa di scosse elettriche, incendi e/o gravi lesioni.
	<b>Always wear eye protection.</b>	<b>Tragen Sie immer einen Augenschutz.</b>	<b>Toujours porter des verres de protection.</b>	<b>Indossate sempre le protezioni oculari.</b>
	<b>Always wear hearing protection.</b>	<b>Stets Gehörschutz tragen.</b>	<b>Porter des protections anti-bruit en permanence.</b>	<b>Indossare sempre i dispositivi di protezione acustica.</b>
	Only for EU countries Do not dispose of electric tools together with household waste material! In observance of European Directive 2002/96/EC on waste electrical and electronic equipment and its implementation in accordance with national law, electric tools that have reached the end of their life must be collected separately and returned to an environmentally compatible recycling facility.	Nur für EU-Länder Werfen Sie Elektrowerkzeuge nicht in den Hausmüll! Gemäss Europäischer Richtlinie 2002/96/EG über Elektro- und Elektronik-Altgeräte und Umsetzung in nationales Recht müssen verbrauchte Elektrowerkzeuge getrennt gesammelt und einer umweltgerechten Wiederverwertung zugeführt werden.	Pour les pays européens uniquement Ne pas jeter les appareils électriques dans les ordures ménagères! Conformément à la directive européenne 2002/96/EG relative aux déchets d'équipements électriques ou électroniques (DEEE), et à sa transposition dans la législation nationale, les appareils électriques doivent être collectés à part et être soumis à un recyclage respectueux de l'environnement.	Solo per Paesi UE Non gettare le apparecchiature elettriche tra i rifiuti domestici. Secondo la Direttiva Europea 2002/96/CE sui rifiuti di apparecchiature elettriche ed elettroniche e la sua attuazione in conformità alle norme nazionali, le apparecchiature elettriche esauste devono essere raccolte separatamente, al fine di essere reimpiegate in modo eco-compatibile.
	<b>Symolen</b> <b>⚠️ WAARSCHUWING</b> Hieronder staan symbolen afgebeeld die van toepassing zijn op deze machine. U moet de betekenis hiervan begrijpen voor gebruik.	<b> Símbolos</b> <b>⚠️ ADVERTENCIA</b> A continuación se muestran los símbolos usados para la máquina. Asegúrese de comprender su significado antes del uso.	<b>Símbolos</b> <b>⚠️ AVISO</b> A seguir aparecem os símbolos utilizados pela máquina. Assimile bem seus significados antes do uso.	
	<b>Lees alle waarschuwingen en instructies aandachtig door.</b> Nalating om de waarschuwingen en instructies op te volgen kan in een elektrische schok, brand en/of ernstig letsel resulteren.	<b>Lea todas las instrucciones y advertencias de seguridad.</b> Si no se siguen las advertencias e instrucciones, podría producirse una descarga eléctrica, un incendio y/o daños graves.	<b>Leia todas as instruções e avisos de segurança.</b> Se não seguir todas as instruções e os avisos, pode provocar um choque eléctrico, incêndio e/ou ferimentos graves.	
	<b>Draag altijd oogbescherming.</b>	<b>Utilice siempre una protección ocular.</b>	<b>Utilize sempre protecção para os olhos.</b>	
	<b>Draag altijd gehoorbescherming.</b>	<b>Utilice siempre protecciones auriculares.</b>	<b>Use sempre proteção auditiva.</b>	
	Alleen voor EU-landen Geef elektrisch gereedschap niet met het huisvuil mee! Volgens de Europese richtlijn 2002/96/EG inzake oude elektrische en elektronische apparaten en de toepassing daarvan binnen de nationale wetgeving, dient gebruikt elektrisch gereedschap gescheiden te worden ingezameld en te worden afgevoerd naar een recycle bedrijf dat voldoet aan de geldende milieu-eisen.	Sólo para países de la Unión Europea ¡No deseché los aparatos eléctricos junto con los residuos domésticos! De conformidad con la Directiva Europea 2002/96/CE sobre residuos de aparatos eléctricos y electrónicos y su aplicación de acuerdo con la legislación nacional, las herramientas eléctricas cuya vida útil haya llegado a su fin se deberán recoger por separado y trasladar a una planta de reciclaje que cumpla con las exigencias ecológicas.	Apenas para países da UE Não deite ferramentas eléctricas no lixo doméstico! De acordo com a directiva europeia 2002/96/CE sobre ferramentas eléctricas e electrónicas usadas e a transposição para as leis nacionais, as ferramentas eléctricas usadas devem ser recolhidas em separado e encaminhadas a uma instalação de reciclagem dos materiais ecológica.	

## GENERAL POWER TOOL SAFETY WARNINGS

### WARNING

Read all safety warnings and all instructions.

Failure to follow the warnings and instructions may result in electric shock, fire and/or serious injury.

Save all warnings and instructions for future reference.

The term "power tool" in the warnings refers to your mains-operated (corded) power tool or battery-operated (cordless) power tool.

#### 1) Work area safety

- a) **Keep work area clean and well lit.**

*Cluttered or dark areas invite accidents.*

- b) **Do not operate power tools in explosive atmospheres, such as in the presence of flammable liquids, gases or dust.**

*Power tools create sparks which may ignite the dust or fumes.*

- c) **Keep children and bystanders away while operating a power tool.**

*Distractions can cause you to lose control.*

#### 2) Electrical safety

- a) **Power tool plugs must match the outlet.**

**Never modify the plug in any way.**

**Do not use any adapter plugs with earthed (grounded) power tools.**

*Unmodified plugs and matching outlets will reduce risk of electric shock.*

- b) **Avoid body contact with earthed or grounded surfaces, such as pipes, radiators, ranges and refrigerators.**

*There is an increased risk of electric shock if your body is earthed or grounded.*

- c) **Do not expose power tools to rain or wet conditions.**

*Water entering a power tool will increase the risk of electric shock.*

- d) **Do not abuse the cord. Never use the cord for carrying, pulling or unplugging the power tool.**

**Keep cord away from heat, oil, sharp edges or moving parts.**

*Damaged or entangled cords increase the risk of electric shock.*

- e) **When operating a power tool outdoors, use an extension cord suitable for outdoor use.**

*Use of a cord suitable for outdoor use reduces the risk of electric shock.*

- f) **If operating a power tool in a damp location is unavoidable, use a residual current device (RCD) protected supply.**

*Use of an RCD reduces the risk of electric shock.*

#### 3) Personal safety

- a) **Stay alert, watch what you are doing and use common sense when operating a power tool.**

**Do not use a power tool while you are tired or under the influence of drugs, alcohol or medication.**

*A moment of inattention while operating power tools may result in serious personal injury.*

- b) **Use personal protective equipment. Always wear eye protection.**

*Protective equipment such as dust mask, non-skid safety shoes, hard hat, or hearing protection used for appropriate conditions will reduce personal injuries.*

- c) **Prevent unintentional starting. Ensure the switch is in the off-position before connecting to power source and/or battery pack, picking up or carrying the tool.**

*Carrying power tools with your finger on the switch or energising power tools that have the switch on invites accidents.*

- d) **Remove any adjusting key or wrench before turning the power tool on.**

*A wrench or a key left attached to a rotating part of the power tool may result in personal injury.*

- e) **Do not overreach. Keep proper footing and balance at all times.**

*This ensures better control of the power tool in unexpected situations.*

- f) **Dress properly. Do not wear loose clothing or jewellery. Keep your hair, clothing and gloves away from moving parts.**

*Loose clothes, jewellery or long hair can be caught in moving parts.*

- g) **If devices are provided for the connection of dust extraction and collection facilities, ensure these are connected and properly used.**

*Use of dust collection can reduce dust related hazards.*

#### 4) Power tool use and care

- a) **Do not force the power tool. Use the correct power tool for your application.**

*The correct power tool will do the job better and safer at the rate for which it was designed.*

- b) **Do not use the power tool if the switch does not turn it on and off.**

*Any power tool that cannot be controlled with the switch is dangerous and must be repaired.*

- c) **Disconnect the plug from the power source and/or the battery pack from the power tool before making any adjustments, changing accessories, or storing power tools.**

*Such preventive safety measures reduce the risk of starting the power tool accidentally.*

- d) **Store idle power tools out of the reach of children and do not allow persons unfamiliar with the power tool or these instructions to operate the power tool.**

*Power tools are dangerous in the hands of untrained users.*

- e) **Maintain power tools. Check for misalignment or binding of moving parts, breakage of parts and any other condition that may affect the power tool's operation.**

**If damaged, have the power tool repaired before use.**  
*Many accidents are caused by poorly maintained power tools.*

- f) **Keep cutting tools sharp and clean.**

*Properly maintained cutting tools with sharp cutting edges are less likely to bind and are easier to control.*

- g) **Use the power tool, accessories and tool bits etc. in accordance with these instructions, taking into account the working conditions and the work to be performed.**

*Use of the power tool for operations different from those intended could result in a hazardous situation.*

#### 5) Service

- a) **Have your power tool serviced by a qualified repair person using only identical replacement parts.**

*This will ensure that the safety of the power tool is maintained.*

#### PRECAUTION

Keep children and infirm persons away.

When not in use, tools should be stored out of reach of children and infirm persons.

## CIRCULAR SAW SAFETY WARNINGS

### Cutting procedures

- a) **⚠ DANGER: Keep hands away from cutting area and the blade. Keep your second hand on auxiliary handle, or motor housing.**

*If both hands are holding the saw, they cannot be cut by the blade.*

- b) **Do not reach underneath the workpiece.**

*The guard cannot protect you from the blade below the workpiece.*

- c) **Adjust the cutting depth to the thickness of the workpiece.**

*Less than a full tooth of the blade teeth should be visible below the workpiece.*

- d) **Never hold piece being cut in your hands or across your leg. Secure the workpiece to a stable platform.**

*It is important to support the work properly to minimize body exposure, blade binding, or loss of control.*

- e) **Hold the power tool by insulated gripping surfaces only, when performing an operation where the cutting tool may contact hidden wiring or its own cord.**

*Contact with a "live" wire will also make exposed metal parts of the power tool "live" and could give the operator an electric shock.*

- f) **When ripping always use a rip fence or straight edge guide.**

*This improves the accuracy of cut and reduces the chance of blade binding.*

- g) **Always use blades with correct size and shape (diamond versus round) of arbour holes.**

*Blades that do not match the mounting hardware of the saw will run eccentrically, causing loss of control.*

- h) **Never use damaged or incorrect blade washers or bolt.**

*The blade washers and bolt were specially designed for your saw, for optimum performance and safety of operation.*

### Kickback causes and related warnings

- kickback is a sudden reaction to a pinched, bound or misaligned saw blade, causing an uncontrolled saw to lift up and out of the workpiece toward the operator;
- when the blade is pinched or bound tightly by the kerf closing down, the blade stalls and the motor reaction drives the unit rapidly back toward the operator;
- if the blade becomes twisted or misaligned in the cut, the teeth at the back edge of the blade can dig into the top surface of the wood causing the blade to climb out of the kerf and jump back toward the operator.

Kickback is the result of saw misuse and/or incorrect operating procedures or conditions and can be avoided by taking proper precautions as given below.

- a) **Maintain a firm grip with both hands on the saw and position your arms to resist kickback forces.**

**Position your body to either side of the blade, but not in line with the blade.**

*Kickback could cause the saw to jump backwards, but kickback forces can be controlled by the operator, if proper precautions are taken.*

- b) **When blade is binding, or when interrupting a cut for any reason, release the trigger and hold the saw motionless in the material until the blade comes to a complete stop.**

**Never attempt to remove the saw from the work or pull the saw backward while the blade is in motion or kickback may occur.**

*Investigate and take corrective actions to eliminate the cause of blade binding.*

- c) **When restarting a saw in the workpiece, centre the saw blade in the kerf and check that saw teeth are not engaged into the material.**

*If saw blade is binding, it may walk up or kickback from the workpiece as the saw is restarted.*

- d) **Support large panels to minimise the risk of blade pinching and kickback.**

*Large panels tend to sag under their own weight. Supports must be placed under the panel on both sides, near the line of cut and near the edge of the panel.*

- e) **Do not use dull or damaged blades.**

*Unsharpened or improperly set blades produce narrow kerf causing excessive friction, blade binding and kickback.*

- f) **Blade depth and bevel adjusting locking levers must be tight and secure before making cut.**

*If blade adjustment shifts while cutting, it may cause binding and kickback.*

- g) **Use extra caution when sawing into existing walls or other blind areas.**

*The protruding blade may cut objects that can cause kickback.*

### Lower guard function

- a) **Check lower guard for proper closing before each use. Do not operate the saw if lower guard does not move freely and close instantly. Never clamp or tie the lower guard into the open position.**

*If saw is accidentally dropped, lower guard may be bent.*

*Raise the lower guard with the retracting handle and make sure it moves freely and does not touch the blade or any other part, in all angles and depths of cut.*

- b) **Check the operation of the lower guard spring. If the guard and the spring are not operating properly, they must be serviced before use.**

*Lower guard may operate sluggishly due to damaged parts, gummy deposits, or a build-up of debris.*

- c) **Lower guard may be retracted manually only for special cuts such as "plunge cuts" and "compound cuts". Raise lower guard by retracting handle and as soon as blade enters the material, the lower guard must be released.**

*For all other sawing, the lower guard should operate automatically.*

- d) **Always observe that the lower guard is covering the blade before placing saw down on bench or floor.**

*An unprotected, coasting blade will cause the saw to walk backwards, cutting whatever is in its path. Be aware of the time it takes for the blade to stop after switch is released.*

### Riving knife function

- a) **Use the appropriate saw blade for the riving knife.**

*For the riving knife to function, the body of the blade must be thinner than the riving knife and the cutting width of the blade must be wider than the thickness of the riving knife.*



**b) Adjust the riving knife as described in this instruction manual.**

*Incorrect spacing, positioning and alignment can make the riving knife ineffective in preventing kickback.*

**c) Always use the riving knife except when plunge cutting.**

*Riving knife must be replaced after plunge cutting. Riving knife causes interference during plunge cutting and can create kickback.*

**d) For the riving knife to work, it must be engaged in the workpiece.**

*The riving knife is ineffective in preventing kickback during short cuts.*

**e) Do not operate the saw if riving knife is bent.**

*Even a light interference can slow the closing rate of a guard.*

8. Ensure that the retraction mechanism of the guard system operates correctly.
9. The saw blades body must be thinner than the riving knife and the width of cut, or kerf (with teeth set) must be greater than the thickness of the riving knife.
10. Never operate the circular saw with the saw blade turned upward or to the side.
11. Ensure that the material is free of foreign matters such as nails.
12. The riving knife should always be used except when plunging in the middle of the workpiece.
13. For models C6U2 and C6BU2, the saw blades range should be from 165 mm to 162 mm. For models C7U2 and C7BU2, the saw blades range should be from 190 mm to 185 mm.
14. For models C6BU2 and C7BU2, be careful of brake kickback. C6BU2 and C7BU2 models features an electric brake that functions when the switch is released. As there is some kickback when the brake functions, be sure to hold the main body securely.
15. Sparks can sometimes appear caused by braking operation when the switch is turned off since C6BU2 and C7BU2 models employ electric brakes. Be informed, however, that this phenomenon is not a machine trouble.
16. For models C6BU2 and C7BU2, when the brake becomes ineffective, replace the carbon brushes with new ones.
17. Disconnect the plug from the receptacle before carrying out any adjustment, servicing or maintenance.

**PRECAUTIONS ON USING CIRCULAR SAW**

1. Do not use saw blades which are deformed or cracked.
2. Do not use saw blades made of high speed steel.
3. Do not use saw blades which do not comply with the characteristics specified in these instructions.
4. Do not stop the saw blades by lateral pressure on the disc.
5. Always keep the saw blades sharp.
6. Ensure that the lower guard smoothly and freely.
7. Never use the circular saw with its lower guard fixed in the open position.

**SPECIFICATIONS**

Model	C6U2	C6BU2	C7U2	C7BU2
Voltage (by areas)*	(110 V, 120 V, 127 V, 220 V, 230 V, 240 V) ~			
Cutting Depth	90°	54 mm	66 mm	
	45°	39 mm	48 mm	
Power Input*	1100 W		1200 W	
No-Load Speed	5500 min <sup>-1</sup>			
Weight (without cord)	3.5 kg		4.0 kg	

\*Be sure to check the nameplate on product as it is subject to change by areas.

**STANDARD ACCESSORIES**

- (1) Saw Blade (mounted on tool ) ..... 1  
 ( Dia. 165 mm ..... C6U2, C6BU2 )  
 ( Dia. 190 mm ..... C7U2, C7BU2 )
- (2) Hex. bar wrench ..... 1
- (3) Guide ..... 1
- (4) Wing-bolt ..... 1
- (5) Lever (short type) ..... 1
- (6) Dust collector ..... 1

Standard accessories are subject to change without notice.

**OPTIONAL ACCESSORIES (sold separately)**

- (1) Washer (A) ...for 16 mm (Hole dia. of saw blade)  
 ...for 30 mm (Hole dia. of saw blade)
- (2) Guide Rail Adapter (See Fig. 13)

Optional accessories are subject to change without notice.

**APPLICATION**

Cutting various types of wood.

---

## PRIOR TO OPERATION

---

### 1. Power source

Ensure that the power source to be utilized conforms to the power requirements specified on the product nameplate.

### 2. Power switch

Ensure that the power switch is in the OFF position. If the plug is connected to a receptacle while the power switch is in the ON position, the power tool will start operating immediately, which could cause a serious accident.

### 3. Extension cord

When the work area is removed from the power source, use an extension cord of sufficient thickness and rated capacity. The extension cord should be kept as short as practicable.

### 4. Prepare a wooden workbench (Fig. 1)

Since the saw blade will extend beyond the lower surface of the lumber, place the lumber on a workbench when cutting. If a square block is utilized as a workbench, select level ground to ensure it is properly stabilized. An unstable workbench will result in hazardous operation.

### CAUTION

To avoid possible accident, always ensure that the portion of lumber remaining after cutting is securely anchored or held in position.

---

## ADJUSTING THE SAW PRIOR TO USE

---

### 1. Adjusting the cutting depth

As shown in Fig. 2, hold the handle with one hand while loosening the knob with the other. The cutting depth can be adjusted by moving the base to the desired position. In such manner adjust the cutting depth and then securely retighten the knob.

### 2. Adjusting the riving knife

Loosen the hexagonal - socket bolt used to clamp the riving knife, adjust the riving knife so that the distance between the riving knife and the rim of the blade is not more than 3 mm, and the rim of the blade does not extend more than 3 mm beyond the lowest edge of the riving knife (Fig. 3) and securely retighten the bolt.

### 3. Adjusting the angle of inclination

As shown in Fig. 4 (A), Fig. 4 (B) by loosening the wing-nut on the incline gauge and the wing-bolt on the base, the saw blade may be inclined to a maximum angle of 45° in relation to the base. After having completed the adjustment, reconfirm that the wing-nut and the wing-bolt are firmly tightened.

### 4. Regulating the guide (Fig. 5)

The cutting position can be regulated by moving the guide to the left or right after loosening its wingbolt. The guide may be mounted on either the right or left side of the tool.

### 5. Adjusting the guide piece

On the circular saw, it is possible to make fine adjustment of the fixing position of the guide piece, where the saw blade and the premarked line are to be aligned.

When the saw is shipped from the factory, the linear portion of a front scale on the guide piece is aligned with the central position of the saw blade (Fig. 6).

Loosen the fixed M4 screw on the guide piece, should the fixing position be wrong, and make necessary adjustment of the position.

### 6. Using the dust collector

To use the vacuum cleaner to gather up saw dust, attach the suction hose to the dust collector which is attached to the main unit by M4 and M5 screws. When attaching the dust collector always be sure to change the lever to the short type at this same time (Fig. 12).

### CAUTION

Continuing to use the lever that was attached to the main unit prior to shipping from the factory will cause it to bind on the dust collector and will interfere with the lower guard operation.

---

## CUTTING PROCEDURES

---

1. Place the base on the material, then align the premarked line and the sawblade with the guide piece front scale section at the front of the base (Fig. 6).

When the base is not slanted, use the large cutout as the guide (Fig. 6, Fig. 7 (A)).

If the base is slanted (45 degrees), use the small front scale as the guide (Fig. 6, Fig. 7 (B)).

2. Ensure that the switch is turned to the ON position before the saw blade comes in contact with the lumber. The switch is turned ON when the trigger is squeezed; and OFF when the trigger is released.
3. Moving the saw straight at a constant speed will produce optimum cutting.

### CAUTIONS

Prior to cutting operation, make sure the material you are going to cut. If the material to be cut is expected to generate harmful / toxic dusts, make sure the dust bag or appropriate dust extraction system is connected with dust outlet tightly.

Wear the dust mask additionally, if available.

A coating of PFTE is applied to the bases of the C6BU2 type and C7BU2 type. Be careful not to press too hard on the unit body since this tends to place a heavy load on the motor. Using a gentle pressure will make the piece slide easier and allow cutting with less force. Trying to cut wood that is covered with hard particle material such as sand or metal chips tends to easily scratch damage the surface coating so use caution.

- Before starting to saw, ensure that the saw blade has reached full speed revolution.
- Should the saw blade be stopped or made an abnormal noise during operation, turn off the switch immediately.
- Always take care in preventing the power cord from coming near the revolving saw blade.
- Using the circular saw with the saw blade facing upwards or sideways is very hazardous. Such uncommon applications should be avoided.
- When cutting materials, always wear protective glasses.
- When finished with a job, pull out the plug from the receptacle.

## MOUNTING AND DISMOUNTING THE SAW BLADE

### CAUTION

To avoid serious accident, ensure the switch is in the OFF position, and the power source is disconnected.

#### 1. Dismounting the saw blade

- (1) Set the cutting volume at maximum, and place the Circular Saw as shown in Fig. 8.
- (2) Depress the lock lever, lock the spindle, and remove the hexagonal-socket bolt with the Hex. bar wrench.
- (3) While holding the lower guard lever to keep the lower guard fully retracted into the saw cover, remove the saw blade.

#### 2. Mounting the Saw Blade

- (1) Thoroughly remove any sawdust which has accumulated on the spindle, bolt and washers.
- (2) As shown in Fig. 9, the side of Washer (A) with a projected center the same diameter as the inner diameter of the saw blade and the concave side of Washer (B) must be fitted to the saw blade sides.
  - \* Washer (A) is supplied for 2 types of saw blades with the hole diameters of 16 mm and 30 mm. (When buying the Circular Saw, one type of washer (A) is supplied.)
  - In case the hole diameter of your saw blade does not correspond to that of washer (A), please contact the shop where you purchased the Circular Saw.
- (3) To assure proper rotation direction of the saw blade, the arrow direction on the saw blade must coincide with the arrow direction on the saw cover.
- (4) Using the fingers, tighten the hexagonal-socket bolt retaining the saw blade as much as possible. Then depress the lock lever, lock the spindle, and thoroughly tighten the bolt.

### CAUTION

After having attached the saw blade, reconfirm that the lock lever is firmly secured in the prescribed position.

## MAINTENANCE AND INSPECTION

#### 1. Inspecting the saw blade

Since use of a dull saw blade will degrade efficiency and cause possible motor malfunction, sharpen or replace the saw blade as soon as abrasion is noted.

#### 2. Inspecting the mounting screws

Regularly inspect all mounting screws and ensure that they are properly tightened. Should any of the screws be loose, retighten them immediately. Failure to do so could result in serious hazard.

#### 3. Inspecting the carbon brushes (Fig. 10)

The motor employs carbon brushes which are consumable parts. Since an excessively worn carbon brush can result in motor trouble, replace the carbon brushes with new ones having the same carbon brush No. shown in the figure when it becomes worn to or near the "wear limit". In addition, always keep carbon brushes clean and ensure that they slide freely within the brush holders.

### CAUTION

- When replacing the new carbon brushes, always use genuine Hitachi carbon brushes with the number specified in the drawing.

- For models C6BU2 and C7BU2, the brake may not work if other than the specified carbon brushes are used.

When the brake becomes ineffective, replace the carbon brushes with new ones.

#### 4. Replacing carbon brushes

Disassemble the brush caps with a slotted-head screwdriver. The carbon brushes can then be easily removed.

#### 5. Maintenance of the motor

The motor unit winding is the very "heart" of the power tool.

Exercise due care to ensure the winding does not become damaged and/or wet with oil or water.

#### 6. Adjusting the base and saw blade to maintain perpendicularity

The angle between the base and the saw blade has been adjusted to 90°, however should this perpendicularity be lost for some reason, adjust in the following manner:

- (1) Turn the base face up (Fig. 11) and loosen the wing-nut and wing-bolt (Fig. 4 (A), Fig. 4 (B)).
- (2) Apply a square to the base and the saw blade and turning the slotted set screw with a slotted-head screwdriver, shift the position of the base to produce the desired right angle.

#### 7. Service parts list

- A: Item No.
- B: Code No.
- C: No. Used
- D: Remarks

### CAUTION

Repair, modification and inspection of Hitachi Power Tools must be carried out by an Hitachi Authorized Service Center.

This Parts List will be helpful if presented with the tool to the Hitachi Authorized Service Center when requesting repair or other maintenance.

In the operation and maintenance of power tools, the safety regulations and standards prescribed in each country must be observed.

### MODIFICATIONS

Hitachi Power Tools are constantly being improved and modified to incorporate the latest technological advancements.

Accordingly, some parts (i.e. code numbers and/or design) may be changed without prior notice.

## GUARANTEE

We guarantee Hitachi Power Tools in accordance with statutory/country specific regulation. This guarantee does not cover defects or damage due to misuse, abuse, or normal wear and tear. In case of complaint, please send the Power Tool, undismantled, with the GUARANTEE CERTIFICATE found at the end of this Handling instruction, to a Hitachi Authorized Service Center.

### NOTE

Due to HITACHI's continuing program of research and development, the specifications herein are subject to change without prior notice.

---

**IMPORTANT**

Correct connection of the plug

The wires of the main lead are coloured in accordance with the following code:

Blue: - Neutral  
Brown: - Live

As the colours of the wires in the main lead of this tool may not correspond with the coloured markings identifying the terminals in your plug proceed as follows:

The wire coloured blue must be connected to the terminal marked with the letter N or coloured black.

The wire coloured brown must be connected to the terminal marked with the letter L or coloured red.

Neither core must be connected to the earth terminal.

**NOTE**

This requirement is provided according to BRITISH STANDARD 2769: 1984.

Therefore, the letter code and colour code may not be applicable to other markets except The United Kingdom.

---

---

**Information concerning airborne noise and vibration**

The measured values were determined according to EN60745 and declared in accordance with ISO 4871.

The typical A-weighted sound power level: 101 dB (A)

The typical A-weighted sound pressure level: 90 dB (A)

Uncertainty KpA: 3 dB (A).

Wear hearing protection.

Vibration total values (triax vector sum) determined according to EN60745.

Cutting chipboard:

Vibration emission value  $a_h = 2.7 \text{ m/s}^2$

Uncertainty K = 1.5  $\text{m/s}^2$

---

The declared vibration total value has been measured in accordance with a standard test method and may be used for comparing one tool with another.

It may also be used in a preliminary assessment of exposure.

**WARNING**

- The vibration emission during actual use of the power tool can differ from the declared total value depending on the ways in which the tool is used.
- Identify safety measures to protect the operator that are based on an estimation of exposure in the actual conditions of use (taking account of all parts of the operating cycle such as the times when the tool is switched off and when it is running idle in addition to the trigger time).

## ALLGEMEINE SICHERHEITSHINWEISE FÜR ELEKTROGERÄTE

### ⚠ WARNUNG

Lesen Sie sämtliche Sicherheitshinweise und Anweisungen durch

*Wenn die Warnungen und Anweisungen nicht befolgt werden, kann es zu Stromschlag, Brand und/oder ernsthaften Verletzungen kommen.*

**Bitte bewahren Sie alle Warnhinweise und Anweisungen zum späteren Nachschlagen auf.**

*Der Begriff „Elektrowerkzeug“ bezieht sich in den Warnhinweisen auf Elektrowerkzeuge mit Netz-(schnurgebunden) oder Akkubetrieb (schnurlos).*

#### 1) Sicherheit im Arbeitsbereich

- Sorgen Sie für einen sauberen und gut ausgeleuchteten Arbeitsbereich.**  
*Zugestellte oder dunkle Bereiche ziehen Unfälle förmlich an.*
- Verwenden Sie Elektrowerkzeuge niemals an Orten, an denen Explosionsgefahr besteht – zum Beispiel in der Nähe von leicht entflammaren Flüssigkeiten, Gasen oder Stäuben.**  
*Bei der Arbeit mit Elektrowerkzeugen kann es zu Funkenbildung kommen, wodurch sich Stäube oder Dämpfe entzünden können.*
- Sorgen Sie bei der Arbeit mit Elektrowerkzeugen dafür, dass sich keine Zuschauer (insbesondere Kinder) in der Nähe befinden.**  
*Wenn Sie abgelenkt werden, können Sie die Kontrolle über das Werkzeug verlieren.*

#### 2) Elektrische Sicherheit

- Elektrowerkzeuge müssen mit passender Stromversorgung betrieben werden.**  
**Nehmen Sie niemals irgendwelche Änderungen am Anschlussstecker vor.**  
**Verwenden Sie bei Elektrowerkzeugen mit Schutzkontakt (geerdet) niemals Adapterstecker.**  
*Stecker im Originalzustand und passende Steckdosen reduzieren das Stromschlagrisiko.*
- Vermeiden Sie Körperkontakt mit geerdeten Gegenständen wie Rohrleitungen, Heizungen, Herden oder Kühlschränken.**  
*Bei Körperkontakt mit geerdeten Gegenständen besteht ein erhöhtes Stromschlagrisiko.*
- Setzen Sie Elektrowerkzeuge niemals Regen oder sonstiger Feuchtigkeit aus.**  
*Wenn Flüssigkeiten in ein Elektrowerkzeug eindringen, erhöht sich das Stromschlagrisiko.*
- Verwenden Sie das Anschlusskabel nicht missbräuchlich.** Tragen Sie das Elektrowerkzeug niemals an der Anschlusschnur, ziehen Sie es nicht damit heran und ziehen Sie den Stecker nicht an der Anschlusschnur aus der Steckdose. Halten Sie die Anschlusschnur von Hitzequellen, Öl, scharfen Kanten und beweglichen Teilen fern. *Beschädigte oder verdrehte Anschlusschnüre erhöhen das Stromschlagrisiko.*
- Wenn Sie ein Elektrowerkzeug im Freien benutzen, verwenden Sie ein für den Außeneinsatz geeignetes Verlängerungskabel.**  
*Ein für den Außeneinsatz geeignetes Kabel vermindert das Stromschlagrisiko.*
- Falls sich der Betrieb des Elektrowerkzeuges in feuchter Umgebung nicht vermeiden lässt, verwenden Sie eine Stromversorgung mit Fehlerstromschutzeinrichtung (Residual Current Device, RCD).**

*Durch den Einsatz einer Fehlerstromschutzeinrichtung wird das Risiko eines elektrischen Schlages reduziert.*

#### 3) Persönliche Sicherheit

- Bleiben Sie wachsam, achten Sie auf das, was Sie tun, und setzen Sie Ihren Verstand ein, wenn Sie mit Elektrowerkzeugen arbeiten.**  
**Benutzen Sie keine Elektrowerkzeuge, wenn Sie müde sind oder unter Einfluss von Drogen, Alkohol oder Medikamenten stehen.**  
*Bei der Arbeit mit Elektrowerkzeugen können bereits kurze Phasen der Unaufmerksamkeit zu schweren Verletzungen führen.*
  - Benutzen Sie eine persönliche Schutzausrüstung.**  
**Tragen Sie immer einen Augenschutz.**  
*Schutzausrüstung wie Staubmaske, rutschsichere Sicherheitsschuhe, Schutzhelm und Gehörschutz senken das Verletzungsrisiko bei angemessenem Einsatz.*
  - Vermeiden Sie unbeabsichtigtes Einschalten.**  
**Achten Sie darauf, dass sich der Schalter in der Aus- (Off-) Position befindet, ehe Sie das Gerät mit der Stromversorgung und/oder Batteriestromversorgung verbinden, es aufheben oder herumtragen.**  
*Das Herumtragen von Elektrowerkzeugen mit dem Finger am Schalter oder das Herstellen der Stromversorgung bei betätigtem Schalter zieht Unfälle regelrecht an.*
  - Entfernen Sie sämtliche Einstellwerkzeuge (Einstellschlüssel), ehe Sie das Elektrowerkzeug einschalten.**  
*Ein an einem beweglichen Teil des Elektrowerkzeugs angebrachter Schlüssel kann zu Verletzungen führen.*
  - Sorgen Sie für einen festen Stand.** Achten Sie jederzeit darauf, sicher zu stehen und das Gleichgewicht zu bewahren.  
*Dadurch haben Sie das Elektrowerkzeug in unerwarteten Situationen besser im Griff.*
  - Kleiden Sie sich richtig.** Tragen Sie keine lose Kleidung oder Schmuck. Halten Sie Haar, Kleidung und Handschuhe von beweglichen Teilen fern.  
*Lose Kleidung, Schmuck oder langes Haar kann von beweglichen Teilen erfasst werden.*
  - Wenn Anschlüsse für Staubabsaug- und -sammelvorrichtungen vorhanden sind, sorgen Sie dafür, dass diese richtig angeschlossen und eingesetzt werden.**  
*Durch Entfernen des Staubes können staubbezogene Gefahren vermindert werden.*
- 4) Einsatz und Pflege von Elektrowerkzeugen**
- Überansprechen Sie Elektrowerkzeuge nicht.**  
**Benutzen Sie das richtige Elektrowerkzeug für Ihren Einsatzzweck.**  
*Das richtige Elektrowerkzeug erledigt seine Arbeit bei bestimmungsgemäßem Einsatz besser und sicherer.*
  - Benutzen Sie das Elektrowerkzeug nicht, wenn es sich nicht am Schalter ein- und ausschalten lässt.**  
*Jedes Elektrowerkzeug, das nicht mit dem Schalter betätigt werden kann, stellt eine Gefahr dar und muss repariert werden.*
  - Stecken Sie den Stecker der Stromversorgung oder Batteriestromversorgung vom Gerät ab, ehe Sie Einstellarbeiten vornehmen, Zubehöerteile tauschen oder das Elektrowerkzeug verstauen.**  
*Solche präventiven Sicherheitsmaßnahmen verhindern den unbeabsichtigten Anlauf des Elektrowerkzeugs und die damit verbundenen Gefahren.*

- d) Lagern Sie nicht benutzte Elektrowerkzeuge außerhalb der Reichweite von Kindern, lassen Sie nicht zu, dass Personen das Elektrowerkzeug bedienen, die nicht mit dem Werkzeug selbst und/oder diesen Anweisungen vertraut sind. *Elektrowerkzeuge in ungeschulten Händen sind gefährlich.*
- e) Halten Sie Elektrowerkzeuge in Stand. Prüfen Sie auf Fehlausrichtungen, sicheren Halt und Leichtgängigkeit beweglicher Teile, Beschädigungen von Teilen und auf jegliche andere Zustände, die sich auf den Betrieb des Elektrowerkzeugs auswirken können. Bei Beschädigungen lassen Sie das Elektrowerkzeug reparieren, ehe Sie es benutzen. *Viele Unfälle mit Elektrowerkzeugen sind auf schlechte Wartung zurückzuführen.*
- f) Halten Sie Schneidwerkzeuge scharf und sauber. *Richtig gewartete Schneidwerkzeuge mit scharfen Schneidkanten bleiben weniger häufig hängen und sind einfacher zu beherrschen.*
- g) Benutzen Sie Elektrowerkzeuge, Zubehör, Werkzeugschneiden und Ähnliches in Übereinstimmung mit diesen Anweisungen – beachten Sie dabei die jeweiligen Arbeitsbedingungen und die Art und Weise der auszuführenden Arbeiten. *Der Gebrauch des Elektrowerkzeuges für andere als die vorgesehenen Anwendungen kann zu gefährlichen Situationen führen.*

## 5) Service

- a) Lassen Sie Elektrowerkzeuge durch qualifizierte Fachkräfte und unter Einsatz passender, zugelassener Originalteile warten. *Dies sorgt dafür, dass die Sicherheit des Elektrowerkzeugs nicht beeinträchtigt wird.*

## VORSICHT

Von Kindern und gebrechlichen Personen fernhalten. Werkzeuge sollten bei Nichtgebrauch außerhalb der Reichweite von Kindern und gebrechlichen Personen aufbewahrt werden.

## SICHERHEITSWARNUNGEN FÜR KREISSÄGE

### Schneidevorgänge

- a) **⚠ GEFÄHR:** Halten Sie Ihre Hände vom Arbeitsbereich und dem Blatt fern. Ihre zweite Hand befindet sich am Nebengriff oder am Motorgehäuse. *Wenn Sie die Säge mit beiden Händen halten, können Sie sich nicht in die Finger schneiden.*
- b) Greifen Sie nicht unter das Werkstück. *Die Schutzeinrichtungen können Sie nicht vor dem Teil des Sägeblattes schützen, der sich unter dem Werkstück befindet.*
- c) Passen Sie die Schnitttiefe der Stärke des Werkstücks an. *Unterhalb des Werkstückes sollte weniger als ein ganzer Sägezahn sichtbar sein.*
- d) Halten Sie ein zu schneidendes Werkstück niemals mit den Händen oder gar über Ihr Bein gelegt. Befestigen Sie das Werkstück auf einer stabilen Unterlage. *Es ist wichtig, das Werkstück richtig zu stützen, damit es nicht zu Körperkontakt, Festfressen des Sägeblattes oder Kontrollverlust kommt.*
- e) Halten Sie das Elektrowerkzeug an den isolierten Griffflächen, wenn Sie Arbeiten ausführen, bei denen das Schneidwerkzeug verborgene Leitungen oder sein eigenes Netzkabel berühren kann. *Der Kontakt mit stromführenden Leitungen setzt auch freiliegende Metallteile des Elektrowerkzeugs*

*unter Strom und könnte für den Bediener zu einem Stromschlag führen.*

- f) Benutzen Sie beim Trennen (Längsschnitt) grundsätzlich einen Parallel- oder Linealanschlag. *Dies verbessert die Schnittpräzision und erschwert ein Festfressen des Sägeblattes.*
- g) Benutzen Sie grundsätzlich Sägeblätter der richtigen Bohrungsgröße und -form (Rund- oder Diamantform). *Sägeblätter, die nicht exakt zur Sägeblattaufnahme der Säge passen, laufen exzentrisch und können außer Kontrolle geraten.*
- h) Benutzen Sie niemals beschädigte oder unpassende Sägeblatt-Unterlegscheiben oder -Schrauben. *Die Sägeblatt-Unterlegscheiben und -Schrauben wurden speziell für Ihre Säge entwickelt – für beste Leistung und höchste Betriebssicherheit.*

### Ursachen für Rückschlag und diesbezügliche Warnungen

- der Rückschlag ist eine plötzliche Reaktion auf ein verklebtes, verbogenes oder falsch ausgerichtetes Sägeblatt und führt zu unkontrollierten Springen der Säge aus dem Werkstück zum Bediener hin;
- wenn sich das Blatt in der enger werdenden Schnittfuge verklebmt, wird die Drehbewegung des Blattes blockiert und das Gerät durch die Motorkraft urplötzlich Richtung Bediener geschleudert;
- wenn sich das Blatt innerhalb der Schnittfuge verbiegt oder falsch ausrichtet, können sich die Zähne am rückwärtigen Teil des Sägeblattes in die Holzoberfläche graben und das Blatt zum Bediener hin aus der Schnittfuge springen lassen.

Ein Rückschlag ist das Ergebnis missbräuchlicher Nutzung der Säge und/oder falscher Bedienschritte oder ungeeigneter Arbeitsbedingungen – und kann durch geeignete Schutzmaßnahmen (wie nachstehend) verhindert werden.

- a) Halten Sie die Säge mit beiden Händen fest gepackt und halten Sie Ihre Arme so, dass sie einem möglichen Rückschlag entgegenwirken. Stellen Sie sich so hin, dass sich Ihr Körper seitlich hinter dem Sägeblatt befindet, nicht jedoch direkt dahinter.

*Durch den Rückschlag kann die Säge nach hinten springen; die Rückschlagkräfte lassen sich vom Bediener aber in den Griff bekommen, wenn die richtigen Vorsichtsmaßnahmen getroffen werden.*

- b) Wenn sich das Blatt festfressen sollte oder Sie die Schneidarbeit aus sonstigen Gründen unterbrechen sollten, schalten Sie die Säge ab und bewegen sie nicht mehr, bis das Blatt vollständig stillsteht. Versuchen Sie niemals, das Sägeblatt aus dem Werkstück zu lösen oder die Säge nach hinten zu ziehen, während sich das Sägeblatt dreht – dies kann zum Rückschlag führen. *Überprüfen Sie die Ursache des Festfressens und treffen Sie entsprechende Gegenmaßnahmen.*
- c) Wenn Sie die Säge erneut starten, während sich das Blatt bereits im Werkstück befindet, zentrieren Sie das Blatt in der Schnittfuge und vergewissern sich, dass die Sägezähne nicht im Material stecken. *Falls das Sägeblatt festgefressen ist, kann es sich beim Anlauf der Säge nach oben arbeiten oder aus dem Werkstück springen.*
- d) Unterlegen Sie große Platten, um ein Verklebmen des Blattes und Rückschlag zu vermeiden. *Große Werkstücke neigen dazu, unter ihrem Eigengewicht nachzugeben. An beiden Seiten des Werkstückes müssen Auflagen angebracht werden – nahe der Schnittlinie und an den Kanten des Werkstückes.*

- e) **Benutzen Sie keine stumpfen oder beschädigten Sägeblätter.**  
*Stumpfe oder unsachgemäß eingesetzte Sägeblätter erzeugen eine enge Schnittfuge und übermäßige Reibung, führen zum Festfressen des Blattes und zum Rückschlag.*
- f) **Arretierungshebel für Schnittiefe und Gehrung müssen straff und sicher angezogen sein, ehe Sie den Schnitt ausführen.**  
*Falls sich die Sägeblatteinstellung während des Schnitts verschiebt, kann sich das Blatt festfressen und Rückschlag eintreten.*
- g) **Wenden Sie beim Schneiden in Wände oder andere Blindbereiche besondere Vorsicht an.**  
*Das vordringende Sägeblatt kann in Objekte eindringen, die einen Rückschlag verursachen.*

**Funktionsweise der unteren Schutzabdeckung**

- a) **Prüfen Sie vor jedem Gebrauch, ob die untere Schutzabdeckung (Blattschutz) richtig schließt. Benutzen Sie die Säge nicht, wenn sich die untere Schutzabdeckung nicht frei bewegen lässt und sich nicht verzögerungsfrei schließt. Klemmen oder binden Sie die untere Schutzabdeckung niemals in geöffneter Position fest.**  
*Falls die Säge aus Versehen fallen gelassen wird, kann sich die untere Schutzabdeckung verbiegen. Ziehen Sie die untere Schutzabdeckung mit dem vorgesehenen Handgriff zurück und überzeugen Sie sich, dass sie sich frei bewegen lässt und in sämtlichen Schnittwinkeln und -tiefen nicht das Sägeblatt berührt.*
- b) **Überprüfen Sie die einwandfreie Funktion der unteren Schutzabdeckungsfeder. Falls Schutzabdeckung (Blattschutz) und Feder nicht einwandfrei arbeiten sollten, müssen diese vor Arbeitsbeginn instandgesetzt werden.**  
*Die untere Schutzabdeckung kann schwergängig werden, wenn Teile beschädigt sind, sich Gummiablagerungen oder sonstige Rückstände angesammelt haben.*
- c) **Die untere Abdeckung lässt sich manuell zurückziehen. Dies darf nur für spezielle Schnitte wie Einstechschnitte und Schifterschnitte. Heben Sie die untere Schutzabdeckung am vorgesehenen Handgriff an – sobald das Sägeblatt in das Werkstück eindringt, muss die Schutzabdeckung wieder losgelassen werden. Bei allen anderen Sägearbeiten sollte die untere Schutzabdeckung automatisch betätigt werden.**
- d) **Achten Sie immer darauf, dass die untere Schutzabdeckung (Blattschutz) das Sägeblatt umgibt, ehe Sie die Säge auf der Werkbank oder dem Boden absetzen.**  
*Ein ungeschütztes, laufendes Sägeblatt löst eine Rückwärtsbewegung der Säge aus und zerschneidet alles, was sich im Weg befindet. Beachten Sie die Zeit vom Abschalten bis zum Stillstand des Sägeblattes.*

**Spaltkeilfunktion**

- a) **Benutzen Sie das richtige Sägeblatt für den Spaltkeil.**  
*Damit der Spaltkeil funktionieren kann, muss das Sägeblatt dünner als der Spaltkeil sein und die Schnittbreite des Sägeblattes muss breiter als die Stärke des Spaltkeils sein.*
- b) **Stellen Sie den Spaltkeil wie in der Anleitung beschrieben ein.**  
*Falsche Abstände und Ausrichtungen können die Rückschlagverhinderung durch den Spaltkeil außer Kraft setzen.*
- c) **Verwenden Sie den Spaltkeil grundsätzlich; außer bei Eintauchsnitten.**

*Nach der Ausführung von Eintauchsnitten muss der Spaltkeil wieder eingesetzt werden. Bleibt der Spaltkeil bei Eintauchsnitten installiert, kann er die Schnittführung stören und Rückschläge auslösen.*

- d) **Damit der Spaltkeil funktioniert, muss er am Werkstück anliegen.**  
*Bei Kurzschnitten kann der Spaltkeil Rückschläge nicht verhindern.*
- e) **Verwenden Sie die Säge nicht, falls der Spaltkeil verbogen sein sollte.**  
*Selbst geringe Abweichungen können das ordnungsgemäße und ausreichend schnelle Schließen von Schutzeinrichtungen verhindern.*

**VORSICHTSMASSNAHMEN BEI DER BENUTZUNG DER KREISSÄGE**

1. Nicht verbogene oder gerissene Sägeblätter verwenden.
2. Nicht Sägeblätter aus getempertem Stahl verwenden.
3. Nicht Sägeblätter verwenden, die nicht mit den in dieser Anweisung gegebenen Regeln übereinstimmen.
4. Nicht die Sägeblätter durch seitlichen Druck auf die Scheibe stoppen.
5. Die Sägeblätter immer scharf halten.
6. Stellen Sie sicher, dass sich die untere Schutzabdeckung (Blattschutz) reibungslos und frei bewegen lässt.
7. Benutzen Sie die Kreissäge niemals mit in offener Position fixierter unterer Schutzabdeckung (Blattschutz).
8. Immer sicherstellen, daß der Rückzugmechanismus des Schutzsystems richtig arbeitet.
9. Die Sägeblätter müssen dünner sein als der Spaltkeil und die Breite des Schnittes, der Kerbschnitt (mit eingesetzten Zähnen) muß größer sein als die Stärke des Spaltkeils.
10. Die Kreissäge nie mit schrägstehendem oder seitlich stehendem Sägeblatt einsetzen.
11. Immer darauf achten, daß das Werkstück keine fremden Gegenstände wie Nägel enthält.
12. Der Spaltkeil soll immer verwendet werden, ausgenommen wenn in die Mitte des Werkstücks gesenkt wird.
13. Bei den Modellen C6U2 und C6BU2 sollten Sägeblätter der Größen 165 mm bis 162 mm verwendet werden.  
Bei den Modellen C7U2 und C7BU2 sollten Sägeblätter der Größen 190 mm bis 185 mm verwendet werden.
14. Bei den Modellen C6BU2 und C7BU2 geben Sie auf den Rückschlag beim Abbremsen acht.  
Die Modelle C6BU2 und C7BU2 verfügen über eine elektrische Bremse, die beim Loslassen des Schalters eingreift. Da beim Auslösen der Bremse ein Rückschlag entsteht, achten Sie darauf, das Gehäuse gut festzuhalten.
15. Beim Ausschalten kann es manchmal durch Bremsbetrieb zum Auftreten von Funken kommen, da die Modelle C6BU2 und C7BU2 elektrische Bremsen verwenden. Diese Erscheinung zeigt jedoch keine Störung der Kreissäge an.
16. Falls die Bremswirkung bei den Modellen C6BU2 und C7BU2 nachlässt, tauschen Sie die Kohlebürsten gegen neuwertige aus.
17. Ziehen Sie den Stecker des Netzkabels aus der Steckdose, bevor Sie Einstellungen, Pflege oder Wartung durchführen.

## TECHNISCHE DATEN

Modell	C6U2	C6BU2	C7U2	C7BU2
Spannung (je nach Gebiet)*	(110 V, 120 V, 127 V, 220 V, 230 V, 240 V) ~			
Schnitttiefe	90°	54 mm	66 mm	
	45°	39 mm	48 mm	
Leistungsaufnahme*	1100 W		1200 W	
Leeraufdrehzahl	5500 min <sup>-1</sup>			
Gewicht (ohne Kabel)	3,5 kg		4,0 kg	

\*Vergessen Sie nicht, die Produktangaben auf dem Typenschild zu überprüfen, da sich diese je nach Verkaufsgebiet ändern.

## STANDARDZUBEHÖR

- (1) Sägeblatt (am Werkzeug befestigt) ..... 1  
 ( Durchmesser 165 mm ... C6U2, C6BU2 )  
 ( Durchmesser 190 mm ... C7U2, C7BU2 )
  - (2) Sechskantschlüssel ..... 1
  - (3) Parallelanschlag ..... 1
  - (4) Flügelschraube ..... 1
  - (5) Hebel (kurz) ..... 1
  - (6) Staubsammler ..... 1
- Das Standardzubehör kann ohne vorherige Bekanntmachung jederzeit geändert werden.

## SONDERZUBEHÖR (separat zu beziehen)

- (1) Unterlegscheibe (A)  
 ..... für 16 mm (Lochdurch messern des Sägeblattes)  
 ..... für 30 mm (Lochdurch messern des Sägeblattes)
- (2) Führungsschienenadapter (siehe **Abb. 13**).

Das Sonderzubehör kann ohne vorherige Bekanntmachung jederzeit geändert werden.

## ANWENDUNG

Schneiden verschiedener Holzarten.

## VOR INBETRIEBNAHME

- 1. Netzspannung**  
Prüfen, daß die zu verwendende Netzspannung der Angabe auf dem Typenschild entspricht.
- 2. Netzschalter**  
Prüfen, daß der Netzschalter auf "AUS" steht. Wenn der Stecker an das Netz angeschlossen wird, während der Schalter auf "EIN" steht, beginnt das Werkzeug sofort zu laufen, was gefährlich ist.
- 3. Verlängerungskabel**  
Wenn der Arbeitsbereich nicht in der Nähe des Netzanschlusses liegt, ist ein Verlängerungskabel ausreichenden Querschnitts und ausreichender Nennleistung zu verwenden. Das Verlängerungskabel sollte so kurz wie möglich gehalten werden.
- 4. Schaffung einer hölzernen Werkbank (Abb. 1)**  
Da das Sägeblatt über die Unterkante des Schnittholzes hinausragt, wird das Schnittholz beim Schneiden auf eine Werkbank gelegt. Wenn ein Holzklötz als Untergestell verwendet wird, ist ein ebener Untergrund zu wählen, damit dieser fest liegt. Ein nichtstabiles Untergestell ist gefährlich.

## ACHTUNG

Um einen möglichen Unfall zu vermeiden, ist immer darauf zu achten, daß der nach dem Schneiden verbleibende Teil des geschnittenen Holzes gut verankert ist oder in Position gehalten wird.

## EINSTELLUNG VOR DEM SCHNEIDEN

### 1. Einstellen der Schnitttiefe

Mit der einen Hand den Stellknopf lösen und dabei, wie in **Abb. 2** dargestellt, mit der anderen Hand das Werkzeug am Handgriff halten. Die Kerbtiefe kann durch Ausrichten der Auflage in die gewünschte Position eingestellt werden. Die Schnitttiefe auf diese Weise einstellen und anschließend den Stellknopf wieder festziehen.

### 2. Einstellen des Spaltkeils

Lösen Sie die Sechskantschraube, die den Spaltkeil fixiert, richten Sie den Spaltkeil so aus, dass der Abstand zwischen Spaltkeil und Sägeblatttrand nicht größer als 3 mm ist und der Rand des Sägeblattes nicht weiter als 3 mm über die Unterkante des Spaltkeils (**Abb. 3**) hervorsteht. Ziehen Sie die Schraube danach wieder fest an.

### 3. Einstellen des Schrägwinkels

Wie in **Abb. 4 (A)** und **Abb. 4 (B)** gezeigt, können Sie das Sägeblatt um maximal 45° gegen die Grundplatte neigen, indem Sie die Flügelmutter an der Neigungsskala und die Flügelschraube an der Grundplatte lösen. Nach der Einstellung vergewissern Sie sich noch einmal, dass Flügelmutter und Flügelschraube wieder fest angezogen wurden.

### 4. Einstellung des Parallelanschlags (Abb. 5)

Die Schniedposition kann durch Verstellen des Parallelanschlags nach rechts oder links nach Losdrehen der Flügelschraube verstellt werden. Der Parallelanschlag kann an der rechten oder an der linken Seite des Werkzeugs angebracht sein.

### 5. Einstellen des Führungsstücks

An der Kreissäge ist es möglich, Feineinstellung für die Befestigungsposition des Führungsstücks durchzuführen, wo das Sägeblatt und die vormarkierte Linie auszurichten sind.

Beim Versand der Säge ab Werk ist der lineare Abschnitt der vorderen Skala am Führungsstück auf die Mitte des Sägeblattes ausgerichtet (**Abb. 6**).

Falls die Fixierungsposition nicht stimmen sollte, lösen Sie die M4-Schraube am Führungsstück und stellen die Position wie erforderlich nach.



## 6. Verwendung des Staubsammlers

Um anfallenden Sägestaub mit Hilfe eines Staubsaugers abzusaugen, bringen Sie den Saugschlauch am Staubsammler an; dieser wird durch M4- und M5-Schrauben am Hauptgerät gehalten. Achten Sie beim Anbringen des Staubsammlers immer darauf, zur gleichen Zeit den Hebel gegen den kürzeren Typ zu tauschen (**Abb. 12**).

### VORSICHT

Wenn Sie den Hebel, der ab Werk am Hauptgerät angebracht ist, weiter verwenden, verklemt sich dieser am Staubsammler und behindert die Funktion der unteren Schutzabdeckung.

## SCHNEIDEVERFAHREN

1. Setzen Sie die Basis auf das Material, und richten Sie dann die vormarkierte Linie und das Sägeblatt mit der vorderen Skala des Führungsstücks an der Vorderseite der Basis aus (**Abb. 6**).

Verwenden Sie die große vordere Skala als Führung, wenn die Basis nicht geneigt ist (**Abb. 6, Abb. 7(A)**).

Verwenden Sie die kleine vordere Skala als Führung, wenn die Basis geneigt ist (**Abb. 6, Abb. 7(B)**).

2. Es ist darauf zu achten, daß der Schalter auf "EIN" geschaltet ist, ehe das Sägeblatt mit dem Schnittholz in Berührung kommt. Der Schalter wird eingeschaltet, wenn der Drücker eingedrückt wird und ausgeschaltet, wenn der Drücker losgelassen wird.
3. Um einen sauberen Schnitt zu erzielen, das Sägeblatt mit gleichbleibender Geschwindigkeit nach vorn bewegen.

### ACHTUNG

Machen Sie sich vor jeder Schneidätigkeit mit dem zu schneidenden Material vertraut. Falls das zu schneidende Material voraussichtlich schädliche oder giftige Stäube freisetzt, achten Sie in jedem Fall darauf, den Staubbeutel oder ein geeignetes Staubabsaugsystem ordnungsgemäß an den Staubauslass anzuschließen.

Tragen Sie am besten eine Staubschutzmaske, wenn vorhanden.

Die Grundplatten der Modelle C6BU2 und C7BU2 sind PFTE-beschichtet. Achten Sie darauf, nicht zu fest auf das Gehäuse zu drücken, da hierdurch der Motor stark belastet wird. Mit sanftem Druck lassen sich die Teile leichter bewegen und der Schnitt kann mit weniger Kraft ausgeführt werden. Wenn Sie Holz schneiden, das mit harten Partikeln wie Sand oder Metallspänen bedeckt ist, kann es leicht zu Beschädigungen der Oberflächenbeschichtung kommen; gehen Sie also umsichtig vor.

- Ehe mit dem Sägen begonnen wird, muß das Sägeblatt die volle Umdrehungsgeschwindigkeit erricht haben.
- Bleibt das Sägeblatt hängen oder macht es ein ungewöhnliches Geräusch während des Schneidens, ist der Schalter sofort auszuschalten.
- Das Anschlußkabel darf niemals in die Nähe des laufenden Sägeblattes kommen.
- Der Einsatz der Kreissäge mit nach oben oder zur Seite weisendem Sägeblatt ist sehr gefährlich. Vermeiden Sie solche abweichenden Arbeiten.
- Tragen Sie beim Schneiden von Werkstücken grundsätzlich eine Schutzbrille.
- Wenn Sie mit der Arbeit fertig sind, ziehen Sie immer den Netzstecker.

## ANBRINGEN UND ENTFERNEN DES SÄGEBLATTES

### ACHTUNG

Als Vorbeugemaßnahme gegen Unfälle ist darauf zu achten, daß der Schalter auf "AUS" steht und der Netzanschluß unterbrochen ist.

#### 1. Ausbauen des Sägeblattes

- (1) Die Grundplatte auf maximale Schnitttiefe einstellen und die Kreissäge wie in **Abb. 8** gezeigt ausrichten.
- (2) Drücken Sie den Sperrhebel hinab, fixieren Sie die Achse und entfernen Sie die Sechskantschraube mit Hilfe des Sechskantschlüssels.
- (3) Halten Sie den unteren Schutzabdeckungshebel fest, um die untere Schutzabdeckung (Blattschutz) vollständig in den Sägeblattdeckel zurückzuziehen, und entnehmen Sie das Sägeblatt.

#### 2. Einbauen des Sägeblattes

- (1) Sägemehl von Achse und Unterlegscheiben abwischen.
- (2) Gemäß **Abb. 9** muß die Seite der Unterlegscheibe (A) mit einem vorstehenden Mittelstück mit demselben Durchmesser wie der Innendurchmesser des Sägeblattes und die konkave Seite der Unterlegscheibe (B) an beiden Seiten des Sägeblattes angebracht werden.

\* Im Lieferumfang ist eine Unterlegscheibe (A) für die zwei Sägeblatttypen mit den Lochdurchmessern 16 mm und 30 mm enthalten.

(Beim Kauf der Kreissäge wird ein Unterlegscheibentyp (A) mitgeliefert).

Falls der Lochdurchmesser Ihres Sägeblattes nicht der Unterlegscheibengröße (A) entspricht, wenden Sie sich bitte an den Fachhandel, bei dem die Kreissäge gekauft wurde.

- (3) Das Sägeblatt so montieren, daß der Pfeil auf dem Sägeblatt auf den Pfeil auf dem Sägeblattdeckel ausgerichtet ist.
- (4) Ziehen Sie die Sechskantschraube, die das Sägeblatt zurückhält, so fest wie möglich mit den Fingern an. Drücken Sie dann den Sperrhebel hinab, fixieren Sie die Achse und ziehen Sie die Schraube fest an.

### VORSICHT

Nach dem Anbringen des neuen Sägeblattes sich vergewissern, daß der Sperrhebel in die vorgeschriebene Position gestellt ist.

## WARTUNG UND INSPEKTION

#### 1. Inspektion des Sägeblattes

Da durch ein stumpfes Sägeblatt die Leistung abnimmt und ein mögliches Versagen des Motors verursacht wird, muß das Sägeblatt geschärft oder ersetzt werden, sobald Verschleiß festgestellt wird.

#### 2. Inspektion der Befestigungsschrauben

Alle Befestigungsschrauben werden regelmäßig inspiziert und geprüft, ob sie gut angezogen sind. Wenn sich eine der Schrauben lockert, muß sie sofort wieder angezogen werden. Geschieht das nicht, kann das zu erheblichen Gefahren führen.

#### 3. Inspektion der Kohlebürsten: (Abb. 10)

Im Motor sind Kohlebürsten verwendet, die Verbrauchsteile sind. Übermäßig abgenutzte Kohlebürsten führen zu Motor, problemen.

Deshalb wird eine Kohlebürste durch eine neue ersetzt, die dieselbe Nummer trägt wie auf der Abbildung gezeigt, wenn sie teilweise oder ganz verbraucht ist. Darüber hinaus müssen die Kohlebürsten immer sauber gehalten werden und müssen sich in der Halterung frei bewegen können.

## VORSICHT

- Beim Auswechseln der Kohlebürsten immer neue Hitachi-Kohlebürsten mit der in der Zeichnung festgelegten Nummer verwenden.
- Bei den Modellen C6BU2 und C7BU2 kann die Bremse ausfallen, wenn andere als die vorgeschriebenen Kohlebürsten verwendet werden.

### 4. Austausch einer Kohlebürste

Der Bürstendeckel wird mit einem Steckschlüssel abmontiert. Dann kann die Kohlebürste leicht entfernt werden.

### 5. Wartung des Motors

Die Motorwicklung ist das "Herz" des Elektrowerkzeugs. Daher ist besonders sorgfältig darauf zu achten, daß die Wicklung nicht beschädigt wird und/oder mit Öl oder Wasser in Berührung kommt.

### 6. Einstellen der Rechtwinkligkeit zwischen Auflage und Sägeblatt

Ursprünglich wurde der Winkel zwischen Sägeblatt und Auflage auf einen Winkel von 90° eingestellt. Geht die Rechtwinkligkeit jedoch verloren, in folgender Reihenfolge berichtigen:

- (1) Drehen Sie die Grundplatte um (**Abb. 11**) und lösen Sie Flügelmutter und Flügelschraube (**Abb 4 (A)**, **Abb. 4 (B)**).
- (2) Einen Winkel an Auflage und Sägeblatt anlegen und die Schafschraube mit einem Treiber drehen, um so die Auflage zu verschieben. Auflage und Sägeblatt so einstellen, daeine Rechtwinkligkeit hergestellt wird.

### 7. Liste der Wartungsteile

- A: Punkt Nr.
- B: Code Nr.
- C: Verwendete Anzahl
- D: Bemerkungen

## ACHTUNG

Reparatur, Modifikation und Inspektion von Hitachi-Elektrowerkzeugen müssen durch ein autorisiertes Hitachi-Kundendienstzentrum durchgeführt werden. Diese Teilleiste ist hilfreich, wenn sie dem autorisierten Hitachi-Kundendienstzentrum zusammen mit dem Werkzeug für Reparatur oder Wartung ausgehändigt wird.

Bei Betrieb und Wartung von Elektrowerkzeugen müssen die Sicherheitsvorschriften und Normen beachtet werden.

## MODIFIKATIONEN

Hitachi-Elektrowerkzeuge werden fortwährend verbessert und modifiziert, um die neuesten technischen Fortschritte einzubauen.

Dementsprechend ist es möglich, daß einige Teile (z.B. Codenummern bzw. Entwurf) ohne vorherige Benachrichtigung geändert werden.

## GARANTIE

Auf Hitachi-Elektrowerkzeuge gewähren wir eine Garantie unter Zugrundelegung der jeweils geltenden gesetzlichen und landesspezifischen Bedingungen. Dieses Garantie erstreckt sich nicht auf Gehäusedefekte und nicht auf Schäden, die auf Missbrauch, bestimmungswidrigen Einsatz oder normalen Verschleiß zurückzuführen sind. Im Schadensfall senden Sie das nicht zerlegte Elektrowerkzeug zusammen mit dem GARANTIESCHEIN, den Sie am Ende der Bedienungsanleitung finden, an ein von Hitachi autorisiertes Servicecenter.

## ANMERKUNG

Aufgrund des ständigen Forschungs- und Entwicklungsprogramms von HITACHI sind Änderungen der hierin gemachten technischen Angaben nicht ausgeschlossen.

## Information über Betriebslärm und Vibration

Die gemessenen Werte wurden entsprechend EN60745 bestimmt und in Übereinstimmung mit ISO 4871 ausgewiesen.

Der typische A-gewichtete Schalleistungspegel ist 101 dB (A)  
Der typische A-gewichtete Schalldruck ist 90 dB (A)  
Messunsicherheit KpA: 3 dB (A)

Gehörschutz tragen.

Gesamtvibrationswerte (3-Achsen-Vektorsumme), bestimmt gemäß EN60745.

Sägen von Spanholz:

Vibrationsemissionswert  $a_h = 2,7 \text{ m/s}^2$   
Messunsicherheit K = 1,5  $\text{m/s}^2$

Die angegebenen Gesamtvibrationswerte wurden entsprechend einem standardisierten Testverfahren gemessen und können dazu verwendet werden, Werkzeuge miteinander zu vergleichen.

Außerdem können sie zur vorbereitenden Expositionseinschätzung verwendet werden.

## WARNUNG

- Der Vibrationsemissionswert während der tatsächlichen Benutzung des Elektrowerkzeugs kann von dem deklarierten Gesamtwert abweichen, abhängig davon, wie das Werkzeug verwendet wird.
- Legen Sie Sicherheitsmaßnahmen zum Schutz des Bedieners fest, die auf einer Expositionseinschätzung unter den tatsächlichen Benutzungsbedingungen beruhen (unter Berücksichtigung aller Bereiche des Betriebszyklus, darunter neben der Triggerzeit auch die Zeiten, in denen das Werkzeug ausgeschaltet ist oder im Leerlaufbetrieb läuft).

## AVERTISSEMENTS DE SÉCURITÉ GÉNÉRAUX POUR L'OUTIL

### ⚠ AVERTISSEMENT

Lire tous les avertissements de sécurité et toutes les instructions.

*Ne pas suivre les avertissements et instructions peut donner lieu à un choc électrique, un incendie et/ou une blessure sérieuse.*

**Conserver tous les avertissements et toutes les instructions pour pouvoir s'y reporter ultérieurement.**

*Le terme "outil" dans les avertissements fait référence à votre outil électrique alimenté par le secteur (avec cordon d'alimentation) ou votre outil fonctionnant sur batterie (sans cordon d'alimentation).*

#### 1) Sécurité de la zone de travail

a) **Conserver la zone de travail propre et bien éclairée.**

*Les zones en désordre ou sombres sont propices aux accidents.*

b) **Ne pas faire fonctionner les outils électriques en atmosphère explosive, par exemple en présence de liquides inflammables, de gaz ou de poussières.**

*Les outils électriques produisent des étincelles qui peuvent enflammer les poussières ou les fumées.*

c) **Maintenir les enfants et les personnes présentes à l'écart pendant l'utilisation de l'outil.**

*Les distractions peuvent vous faire perdre le contrôle de l'outil.*

#### 2) Sécurité électrique

a) **Il faut que les fiches de l'outil électrique soient adaptées au socle.**

*Ne jamais modifier la fiche de quelque façon que ce soit.*

*Ne pas utiliser d'adaptateurs avec des outils à branchement de terre.*

*Des fiches non modifiées et des socles adaptés réduiront le risque de choc électrique.*

b) **Éviter tout contact du corps avec des surfaces reliées à la terre telles que les tuyaux, les radiateurs, les cuisinières et les réfrigérateurs.**

*Il existe un risque accru de choc électrique si votre corps est relié à la terre.*

c) **Ne pas exposer les outils à la pluie ou à des conditions humides.**

*La pénétration d'eau à l'intérieur d'un outil augmentera le risque de choc électrique.*

d) **Ne pas maltraiter le cordon. Ne jamais utiliser le cordon pour porter, tirer ou débrancher l'outil. Maintenir le cordon à l'écart de la chaleur, du lubrifiant, des arêtes ou des parties en mouvement.**

*Des cordons endommagés ou emmêlés augmentent le risque de choc électrique.*

e) **Lorsqu'on utilise un outil à l'extérieur, utiliser un prolongateur adapté à l'utilisation extérieure.**

*L'utilisation d'un cordon adapté à l'utilisation extérieure réduit le risque de choc électrique.*

f) **Si l'usage d'un outil dans un emplacement humide est inévitable, utiliser une alimentation protégée par un dispositif à courant différentiel résiduel (RCD).**

*L'usage d'un RCD réduit le risque de choc électrique.*

#### 3) Sécurité des personnes

a) **Rester vigilant, regarder ce que vous êtes en train de faire et faire preuve de bon sens dans votre**

**utilisation de l'outil. Ne pas utiliser un outil lorsque vous êtes fatigué ou sous l'emprise de drogues, d'alcool ou de médicaments.**

*Un moment d'inattention en cours d'utilisation d'un outil peut entraîner des blessures graves des personnes.*

b) **Utiliser un équipement de sécurité. Toujours porter une protection pour les yeux.**

*Les équipements de sécurité tels que les masques contre les poussières, les chaussures de sécurité antidérapantes, les casques ou les protections acoustiques utilisés pour les conditions appropriées réduiront les blessures de personnes.*

c) **Éviter tout démarrage intempestif. S'assurer que l'interrupteur est en position arrêt avant de brancher l'outil au secteur et/ou au bloc de batteries, de le ramasser ou de le porter.**

*Porter les outils en ayant le doigt sur l'interrupteur ou brancher des outils dont l'interrupteur est en position marche est source d'accidents.*

d) **Retirer toute clé de réglage avant de mettre l'outil en marche.**

*Une clé laissée fixée sur une partie tournante de l'outil peut donner lieu à des blessures de personnes.*

e) **Ne pas se précipiter. Garder une position et un équilibre adaptés à tout moment.**

*Cela permet un meilleur contrôle de l'outil dans des situations inattendues.*

f) **S'habiller de manière adaptée. Ne pas porter de vêtements amples ou de bijoux. Garder les cheveux, les vêtements et les gants à distance des parties en mouvement.**

*Des vêtements amples, des bijoux ou les cheveux longs peuvent être pris dans des parties en mouvement.*

g) **Si des dispositifs sont fournis pour le raccordement d'équipements pour l'extraction et la récupération des poussières, s'assurer qu'ils sont connectés et correctement utilisés.**

*Utiliser des collecteurs de poussière peut réduire les risques dus aux poussières.*

#### 4) Utilisation et entretien de l'outil

a) **Ne pas forcer l'outil. Utiliser l'outil adapté à votre application.**

*L'outil adapté réalisera mieux le travail et de manière plus sûre au régime pour lequel il a été construit.*

b) **Ne pas utiliser l'outil si l'interrupteur ne permet pas de passer de l'état de marche à arrêt et vice versa.**

*Tout outil qui ne peut pas être commandé par l'interrupteur est dangereux et il faut le réparer.*

c) **Débrancher la fiche de la source d'alimentation en courant et/ou le bloc de batteries de l'outil avant tout réglage, changement d'accessoires ou avant de ranger l'outil.**

*De telles mesures de sécurité préventives réduisent le risque de démarrage accidentel de l'outil.*

d) **Conserver les outils à l'arrêt hors de la portée des enfants et ne pas permettre à des personnes ne connaissant pas l'outil ou les présentes instructions de le faire fonctionner.**

*Les outils sont dangereux entre les mains d'utilisateurs novices.*

e) **Observer la maintenance de l'outil. Vérifier qu'il n'y a pas de mauvais alignement ou de blocage des parties mobiles, des pièces cassées ou toute autre**

condition pouvant affecter le fonctionnement de l'outil.

En cas de dommages, faire réparer l'outil avant de l'utiliser.

*De nombreux accidents sont dus à des outils mal entretenus.*

**f) Garder affûtés et propres les outils permettant de couper.**

*Des outils destinés à couper correctement entretenus avec des pièces coupantes tranchantes sont moins susceptibles de bloquer et sont plus faciles à contrôler.*

**g) Utiliser l'outil, les accessoires et les lames etc., conformément à ces instructions, en tenant compte des conditions de travail et du travail à réaliser.**

*L'utilisation de l'outil pour des opérations différentes de celles prévues pourrait donner lieu à des situations dangereuses.*

## 5) Maintenance et entretien

**a) Faire entretenir l'outil par un réparateur qualifié utilisant uniquement des pièces de rechange identiques.**

*Cela assurera le maintien de la sécurité de l'outil.*

## PRECAUTIONS

Maintenir les enfants et les personnes infirmes éloignés.

Lorsque les outils ne sont pas utilisés, ils doivent être rangés hors de portée des enfants et des personnes infirmes.

## AVERTISSEMENTS DE SÉCURITÉ RELATIFS À LA SCIE CIRCULAIRE

### Procédures de coupe

**a) ⚠ DANGER: N'approchez pas les mains de la zone de coupe et de la lame. Gardez la deuxième main sur la poignée auxiliaire ou sur le boîtier du moteur.**

*Si les deux mains tiennent la scie, elles ne peuvent pas être coupées par la lame.*

**b) N'exposez aucune partie de votre corps sous la pièce à travailler.**

*Le protecteur ne peut pas vous protéger de la lame sous la pièce à travailler.*

**c) Ajustez la profondeur de coupe à l'épaisseur de la pièce à travailler.**

*Il convient que moins de la totalité d'une dent parmi toutes les dents de la lame soit visible sous la pièce à travailler.*

**d) Ne tenez jamais la pièce à débiter dans vos mains ou sur vos jambes. Assurez-vous que la pièce à travailler se trouve sur une plate-forme stable.**

*Il est important que la pièce à travailler soit soutenue convenablement, afin de minimiser l'exposition du corps, le grippage de la lame, ou la perte de contrôle.*

**e) Maintenez l'outil uniquement par les surfaces de prise isolantes, si l'outil coupant, en marche, peut être en contact avec des conducteurs cachés ou avec son propre cordon d'alimentation.**

*Le contact avec un fil "sous tension" mettra également "sous tension" les parties métalliques exposées de l'outil et pourra provoquer un choc électrique sur l'opérateur.*

**f) Lors d'une coupe, utilisez toujours un guide parallèle ou un guide à bords droits.**

*Cela améliore la précision de la coupe et réduit les*

*risques de grippage de la lame.*

**g) Utilisez toujours des lames dont la taille et la forme (diamètre et rond) des alésages centraux sont convenables.**

*Les lames qui ne correspondent pas aux éléments de montage de la scie ne fonctionneront pas bien, provoquant une perte de contrôle.*

**h) N'utilisez jamais de rondelles ou de boulons de lames endommagés ou inadaptés.**

*Les rondelles et les boulons de lames ont été spécialement conçus pour votre scie, afin de garantir une performance optimale et une sécurité de fonctionnement.*

### Causes du recul et mises en garde correspondantes

- le recul est une réaction soudaine observée sur une lame de scie pincée, bloquée ou mal alignée, faisant sortir la scie de la pièce à travailler de manière incontrôlée dans la direction de l'opérateur;
- lorsque la lame est pincée ou bloquée fermement par le fond du trait de scie, la lame se bloque et le moteur fait retourner brutalement le bloc à l'opérateur;
- si la lame se tord ou est mal alignée lors de la coupe, les dents sur le bord arrière de la lame peuvent creuser la face supérieure du bois, ce qui fait que la lame sort du trait de scie et est projetée sur l'opérateur.

Le recul est le résultat d'un mauvais usage de la scie et/ou de procédures ou de conditions de fonctionnement incorrectes et peut être évité en prenant les précautions adéquates spécifiées ci-dessous.

**a) Maintenez fermement la scie avec les deux mains et positionnez vos bras afin de résister aux forces de recul. Positionnez votre corps d'un des côtés de la lame, mais pas dans l'alignement de la lame.**

*Le recul peut faire revenir la scie en arrière, mais les forces de recul peuvent être maîtrisées par l'opérateur, si les précautions adéquates sont prises.*

**b) Lorsque la lame est grippée ou lorsqu'une coupe est interrompue pour quelque raison que ce soit, relâchez le bouton de commande et maintenez la scie immobile dans le matériau, jusqu'à ce que la lame arrête complètement de fonctionner.**

*N'essayez jamais de retirer la scie de la pièce à travailler ou tirez la scie en arrière pendant que la lame est en mouvement ou que le recul peut se produire.*

*Recherchez et prenez des mesures correctives afin d'empêcher que la lame ne se grippe.*

**c) Lorsque vous remettez en marche une scie dans la pièce à travailler, centrez la lame de scie dans le trait de scie et vérifiez que les dents de la scie ne soient pas rentrées dans le matériau.**

*Si la lame de scie est grippée, elle peut venir chevaucher la pièce à travailler ou en sortir lorsque la scie est remise en fonctionnement.*

**d) Placez des panneaux de grande taille sur un support afin de minimiser les risques de pincement de la lame et de recul.**

*Les grands panneaux ont tendance à fléchir sous leur propre poids. Les supports doivent être placés sous le panneau des deux côtés, près de la ligne de coupe et près du bord du panneau.*

- e) **N'utilisez pas de lames émoussées ou endommagées.**  
*Des lames non aiguisées ou mal fixées entraînent un trait de scie rétréci, provoquant trop de frottements, un grippage de la lame et un recul.*
- f) **La profondeur de la lame et les leviers de verrouillage et de réglage du biseau doivent être solides et stables avant de réaliser la coupe.**  
*Si l'ajustement de la lame dérive pendant la coupe, cela peut provoquer un grippage et un recul.*
- g) **Soyez d'autant plus prudent lorsque vous découpez des parois existantes ou d'autres zones sans visibilité.**  
*La lame saillante peut couper des objets qui peuvent entraîner un recul.*
- c) **Utilisez toujours le couteau diviseur sauf lors d'une coupe plongeante.**  
*Le couteau diviseur doit être remplacé après une coupe plongeante. Le couteau diviseur provoque des interférences au cours de la coupe plongeante et peut créer un recul.*
- d) **Pour que le couteau diviseur puisse fonctionner, il doit être rentré dans la pièce à travailler.**  
*Le couteau diviseur n'empêche pas le recul pendant les coupes brèves.*
- e) **Ne faites pas fonctionner la scie si le couteau diviseur est tordu.**  
*Même une légère interférence peut ralentir le rythme de fermeture d'un protecteur*

#### Fonctionnement du protecteur inférieur

- a) **Vérifiez que le protecteur inférieur soit bien fermé avant chaque utilisation.**

**Ne mettez pas la scie en marche si le protecteur inférieur ne se déplace pas librement et ne se ferme pas instantanément. Ne serrez jamais ou n'attachez jamais le protecteur inférieur en position ouverte.**  
*Si la scie tombe accidentellement, le protecteur inférieur peut se tordre. Soulevez le protecteur inférieur avec la poignée rétractive et assurez-vous qu'il bouge librement et n'est pas en contact avec la lame ou toute autre partie, à tous les angles et profondeurs de coupe.*

- b) **Vérifiez le fonctionnement du ressort du protecteur inférieur. Si le protecteur et le ressort ne fonctionnent pas correctement, ils doivent être révisés avant utilisation.**

*Le protecteur inférieur peut fonctionner lentement en raison d'éléments endommagés, de dépôts collants ou de l'accumulation de débris.*

- c) **Le protecteur inférieur peut revenir se loger manuellement uniquement pour les coupes particulières telles que les "coupes plongeantes" et les "coupes complexes". Soulevez le protecteur inférieur par la poignée rétractive et dès que la lame entre dans le matériau, le protecteur inférieur doit être relâché.**

*Pour toutes les autres découpes, il convient que le protecteur inférieur fonctionne automatiquement.*

- d) **Vérifiez toujours que le protecteur inférieur recouvre la lame avant de poser la scie sur un établi ou sur le sol.**

*Une lame non protégée et continuant à fonctionner par inertie entraînera la scie en arrière, et coupera alors tout ce qui se trouve sur sa trajectoire. Soyez conscient du temps nécessaire à la lame pour s'arrêter après que l'interrupteur est relâché.*

#### Fonctionnement du couteau diviseur

- a) **Utilisez la lame de scie appropriée au couteau diviseur.**

*Pour que le couteau diviseur fonctionne, le corps de la lame doit être plus fin que le couteau diviseur et la largeur de coupe de la lame doit être plus épaisse que le couteau diviseur.*

- b) **Ajustez le couteau diviseur en suivant les informations décrites dans ce manuel d'instructions.**

*Un espacement, un positionnement et un alignement incorrects peuvent faire en sorte que le couteau diviseur ne puisse plus empêcher le recul.*

#### PRECAUTIONS POUR L'UTILISATION DE LA SCIE CIRCULAIRE

1. Ne pas utiliser de lames déformées ou fendues.
2. Ne pas utiliser de lames en acier à coupe rapide.
3. Ne pas utiliser de lames ne correspondant pas aux caractéristiques spécifiées dans ces instructions.
4. Ne pas arrêter les lames de la scie par pression latérale sur le disque.
5. Conserver toujours les lames aiguisées.
6. Vérifier que le protecteur inférieur se déplace légèrement et librement.
7. Ne jamais utiliser la scie circulaire lorsque le protecteur inférieur est en position ouverte.
8. S'assurer que le mécanisme de rétraction du système de protection fonctionne correctement.
9. Les lames de la scie doivent être plus minces que la lame fendue et la largeur de la coupe, ou de l'entaille (avec un jeu de dents) doit être plus importante que l'épaisseur de la lame fendue.
10. Ne jamais utiliser la scie circulaire avec la lame tournée vers le haut ou sur le côté.
11. Vérifier que la pièce à couper est dépourvue de corps étrangers comme des clous.
12. La lame fendue doit toujours être utilisée sauf quand la scie attaque le milieu de la pièce de travail.
13. Pour les modèles C6U2 et C6BU2, les lames de scie doivent être comprises entre 165 mm et 162 mm.  
 Pour les modèles C7U2 et C7BU2, les lames de scie doivent être comprises entre 190 mm et 185 mm.
14. Pour les modèles C6BU2 et C7BU2, faire attention aux retours de frein.  
 Les modèles C6BU2 et C7BU2 sont équipés d'un frein électrique qui fonctionne lorsqu'on relâche l'interrupteur. Etant donné qu'il y a un certain phénomène de retour lorsque le frein fonctionne, bien tenir le corps principal fermement.
15. Il peut arriver que des étincelles se produisent lors d'une opération de freinage lorsqu'on coupe le commutateur car les modèles C6BU2 et C7BU2 sont équipés de freins électriques. Néanmoins, ce phénomène est normal et il ne signale pas une défaillance de l'outil.
16. Pour les modèles C6BU2 et C7BU2, lorsque le frein devient inefficace, remplacer les balais en carbone par des neufs.
17. Débrancher la fiche de la prise avant toute opération de réglage, réparation ou entretien.

## SPECIFICATIONS

Modèle		C6U2	C6BU2	C7U2	C7BU2
Tension (par zone)*		(110 V, 120 V, 127 V, 220 V, 230 V, 240 V) ~			
Profondeur de coupe	90°	54 mm		66 mm	
	45°	39 mm		48 mm	
Puissance*		1100 W		1200 W	
Vitesse hors charg		5500 min <sup>-1</sup>			
Poids (sans fil)		3,5 kg		4,0 kg	

\*Assurez-vous de vérifier la plaque signalétique sur le produit qui peut changer suivant les régions.

## ACCESSOIRES STANDARD

- (1) Lame de scie (montée sur l'outil) ..... 1  
 ( Diam. 165 mm ... C6U2, C6BU2 )  
 ( Diam. 190 mm ... C7U2, C7BU2 )
  - (2) Clé à barre hex. .... 1
  - (3) Pièce de guidage ..... 1
  - (4) Boulon-papillon ..... 1
  - (5) Levier (type court) ..... 1
  - (6) Collecteur à poussière ..... 1
- Les accessoires standard sont sujets à changement sans préavis.

## ACCESSOIRES EN OPTION (Vendus séparément)

- (1) Rondelle (A)  
 ..... pour 16 mm (diam. d'orifice de la lame de scie)  
 ..... pour 30 mm (diam. d'orifice de la lame de scie)
- (2) Adaptateur pour rail de guidage (voir la Fig. 13)

Les accessoires en option sont sujets à changement sans préavis.

## APPLICATION

La coupe du bois.

## AVANT LA MISE EN MARCHÉ

- 1. Source de puissance**  
 S'assurer que la source de puissance à utiliser correspond à la puissance indiquée sur la plaque signalétique du produit.
- 2. Interrupteur de puissance**  
 S'assurer que l'interrupteur de puissance est en position ARRÊT. Si la fiche est branchée alors que l'interrupteur est sur MARCHÉ, l'outil démarre immédiatement et peut provoquer un grave accident.
- 3. Fil de rallonge**  
 Lorsque la zone de travail est éloignée de la source de puissance, utiliser un fil de rallonge d'une épaisseur suffisante et d'une capacité nominale suffisante. Le fil de rallonge doit être aussi court que possible.
- 4. Préparation d'un support en bois (Fig. 1)**  
 Pour que la lame dépassera la surface inférieure du morceau de bois, placer le morceau de bois sur un support pour la coupe. Si vous utilisez un bloc carré, choisissez un sol plat pour être sûr qu'il repose de manière stable. Un support instable peut entraîner un fonctionnement dangereux.

## ATTENTION

Afin d'éviter un possible accident, s'assurer toujours que la portion de bois restant après la coupe est bien ancrée ou maintenue en place.

## REGLAGE AVANT LE TRAVAIL

- 1. Réglage de la profondeur de coupe**  
 Desserrer le bouton d'une main tout en tenant la poignée de l'autre, comme illustré à la Fig. 2. Il est possible d'ajuster la profondeur de la fente en déplaçant la base sur la position souhaitée. Régler de cette manière la profondeur de coupe, puis bien resserrer le bouton.
- 2. Réglage du couteau**  
 Dévisser le boulon à tête hexagonale utilisé pour fixer le couteau, ajuster le couteau de manière à ce que la distance entre le couteau et la couronne de la soit inférieure à 3 mm, et que la couronne de la lame ne s'étende pas sur plus de 3 mm au-delà du bord inférieur du couteau (Fig. 3), puis revisser le boulon.
- 3. Réglage de l'angle d'inclinaison**  
 Comme illustré aux Fig. 4 (A) et 4 (B), le fait de desserrer le bouton sur la jauge inclinée et le boulon-papillon sur la base permet de faire basculer la lame de la scie jusqu'à 45° maximum par rapport à la base. Lorsque le réglage est terminé, vérifier que le bouton et le boulon-papillon sont serrés à fond.
- 4. Réglage de la pièce de guidage. (Fig. 5)**  
 La position de coupe peut être réglée en déplaçant la pièce de guidage vers la gauche ou la droite après avoir desserré son boulon à oreilles. La pièce de guidage peut être montée soit du côté gauche soit du côté droit de l'outil.
- 5. Réglage de la pièce de guidage**  
 Sur la scie circulaire, il est possible d'effectuer un réglage fin de la position de fixation de la pièce de guidage, là où la lame de scie et la ligne prémarquée doivent s'aligner.  
 Quand la scie quitte nos usines, la section linéaire de l'échelle avant de la pièce de guidage est alignée sur la position centrale de la lame de scie (Fig. 6). Si la position de fixation est erronée, dévisser la vis M4 fixée sur le guide pour procéder au réglage nécessaire de la position.

## 6. Utilisation du collecteur à poussière

Pour utiliser l'aspirateur pour recueillir la sciure, connecter le tuyau d'aspiration au collecteur à poussière qui est attaché à l'unité principale à l'aide des vis M4 et M5. En connectant le collecteur à poussière, veiller à positionner le levier sur type court en même temps (Fig. 12).

### ATTENTION

Continuer à utiliser le levier attaché à l'unité principale avant le transport de l'usine peut le faire adhérer au collecteur à poussière et interférer avec le fonctionnement du protecteur inférieur.

## PROCEDURES DE COUPAGE

- Placer le socle sur le matériau, puis aligner la lame de scie sur le trait d'encre pré-marqué avec l'échelle avant de la pièce de guidage à l'avant du socle (Fig. 6).  
Si le socle n'est pas incliné, utiliser la grosse découpe comme guide. (Fig. 6, Fig. 7 (A)) Si le socle est incliné (45 degrés), utiliser l'échelle avant comme guide (Fig. 6, Fig. 7 (B)).
- S'assurer que l'interrupteur est en position MARCHE lorsque la lame de la scie entre en contact avec le bois. L'interrupteur est en position MARCHE lorsqu'on appuie sur la détente et en position ARRÊT lorsqu'on relâche la détente.
- Un déplacement droit de la scie à vitesse constante assure une coupe optimale.

### ATTENTION

Avant de procéder à la coupe, assurez-vous du matériau que vous allez couper. Si le matériau est susceptible de générer de la poussière dangereuse/toxique, veillez à connecter le sac à sciures ou le système de collection de poussière approprié en fixant la sortie des sciures correctement.

Portez un masque anti-poussière, si disponible.

Un enduit de PTFE est appliqué sur les bases des modèles C6BU2 et C7BU2. Veiller à ne pas appuyer trop fort sur le corps de l'unité car cela a tendance à exercer une forte pression sur le moteur. Une pression légère fera coulisser la pièce plus facilement et permettra un sciage avec moins d'efforts. Tenter de couper du bois enduit d'un matériau à grosses particules comme le sable ou des copeaux métalliques peut griffer et endommager le revêtement, alors faire attention.

- Avant de commencer de scier, s'assurer que la lame a atteint sa pleine vitesse.
- Si la lame s'arrête ou fait un bruit anormal pendant le fonctionnement, couper aussitôt l'interrupteur.
- Veiller toujours à ce que le fil électrique n'approche pas de la lame en rotation.
- Utiliser la scie circulaire avec la lame de scie vers le haut ou vers le côté est dangereux. De telles applications doivent être évitées.
- En coupant des matériaux, toujours porter des lunettes de protection.
- Une fois un travail terminé, débrancher le cordon d'alimentation de la prise secteur.

## MONTAGE ET DEMONTAGE DE LA LAME

### ATTENTION

Pour éviter un grave accident, s'assurer que l'interrupteur est en position ARRÊT et que la source de puissance est débranchée.

#### 1. Dépose de la lame de la scie

- Régler le volume de coupe au maximum, et placer la scie circulaire suivant la Fig. 8.
- Agir sur le levier de la goupille, verrouiller l'arbre et enlever le boulon à tête hexagonale à l'aide de la clé.
- Retirer la lame de la scie en tenant le levier du protecteur inférieur de manière à maintenir le protecteur inférieur entièrement dans le capot de la scie.

#### 2. Mise en place de la lame de scie

- Enlever toute sciure présente sur l'arbre et les rondelles.
- Suivant la Fig. 9, le côté de la rondelle (A) qui a une partie centrale avancée du même diamètre que le diamètre intérieur de la lame et le côté concave de la rondelle (B) doivent être fixés aux côtés de la lame de la scie.

\* La rondelle (A) est fournie pour les deux types de lame de scie de diamètre d'orifice de 16 mm et 30 mm (lors de l'achat de la scie circulaire, un type de rondelle (A) est fourni).

Si le diamètre d'orifice de la lame de scie ne correspond pas à la rondelle (A), consulter le vendeur de la scie circulaire.

- Monter la scie de telle sorte que sa flèche soit alignée avec celle prévue sur le couvercle de scie.
- Serrer autant que possible avec les doigts le boulon à tête hexagonale fixant la lame de scie. Appuyer ensuite sur le levier de verrouillage, verrouiller la tige et bien serrer le boulon.

### ATTENTION

Lorsque la lame de la scie est montée, vérifier que le levier de blocage est bien fixé dans la position indiquée.

## ENTRETIEN ET CONTROLE

### 1. Contrôle de la lame

Comme une lame émoussée diminue l'efficacité et peut provoquer un mauvais fonctionnement, aiguiser et remplacer la lame dès que des traces d'abrasion sont visibles.

### 2. Contrôle des vis de montage

Vérifier régulièrement les vis de montage et s'assurer qu'elles sont correctement serrées. Resserrer immédiatement toute vis desserrée. Sinon, il y a danger sérieux.

### 3. Contrôle des balais en carbone (Fig. 10)

Le moteur utilise des balais en carbone qui sont des pièces qui s'usent. Comme un balai en carbone trop usé peut détériorer le moteur, le remplacer par un nouveau du même No. que celui montré à la figure quand il est usé ou à la limite d'usure. En outre, toujours tenir les balais propres et veiller à ce qu'ils coulissent librement dans les supports.

### PRÉCAUTION

- Lors du remplacement des balais en carbone neufs, toujours utiliser des balais en carbone HITACHI d'origine ayant le numéro spécifié sur le schéma.

- Pour les modèles C6BU2 et C7BU2, le frein ne fonctionnera pas si les balais en carbone sont différents de ceux qui sont spécifiés.

#### 4. Remplacement d'un balai en carbone

Démonter le capuchon du balai avec un tournevis à petite tête. Le balai en carbone peut se retirer facilement.

#### 5. Entretien du moteur

Le bobinage de l'ensemble moteur est le "cœur" même de l'outil électro-portatif. Veiller soigneusement à ce que ce bobinage ne soit pas endommagé et/ou mouillé par de l'huile ou de l'eau.

#### 6. Réglage de l'équerre entre la base et la lame de scie

L'angle formé par la lame de scie et la base de la machine a été réglé en usine pour rester à 90°; si cet angle est modifié régler comme suit:

- (1) Placer la base vers le haut (**Fig. 11**) et desserrer le bouton et le boulon-papillon (**Fig. 4 (A), Fig. 4 (B)**).
- (2) Placer une équerre entre la base et la lame de scie et tourner la vis sans fin à l'aide d'un tournevis (-) de façon à modifier l'angle de la base, régler la base et la lame, de sorte qu'elles forment entre elles un angle droit parfait.

#### 7. Liste des pièces de rechange

- A: No. élément
- B: No. code
- C: No. utilisé
- D: Remarques

#### ATTENTION

Les réparations, modifications et inspections des outils électriques Hitachi doivent être confiées à un service après-vente Hitachi agréé.

Il sera utile de présenter cette liste de pièces au service après-vente Hitachi agréé lorsqu'on apporte un outil nécessitant des réparations ou tout autre entretien.

Lors de l'utilisation et de l'entretien d'un outil électrique, respecter les règlements et les normes de sécurité en vigueur dans le pays en question.

#### MODIFICATIONS

Les outils électriques Hitachi sont constamment améliorés et modifiés afin d'incorporer les tous derniers progrès technologiques.

En conséquence, il est possible que certaines pièces (c.-à-d. no. de code et/ou dessin) soient modifiées sans avis préalable.

## GARANTIE

Nous garantissons que l'ensemble des Outils électriques Hitachi sont conformes aux réglementations spécifiques statutaires/nationales. Cette garantie ne couvre pas les défauts ni les dommages inhérents à une mauvaise utilisation, une utilisation abusive ou l'usure et les dommages normaux. En cas de réclamation, veuillez envoyer l'Outil électrique, en l'état, accompagné du CERTIFICAT DE GARANTIE qui se trouve à la fin du Mode d'emploi, dans un service d'entretien autorisé.

#### NOTE

Par suite du programme permanent de recherche et de développement HITACHI, ces spécifications peuvent faire l'objet de modifications sans avis préalable.

## Au sujet du bruit et des vibrations

Les valeurs mesurées ont été déterminées en fonction de la norme EN60745 et déclarées conforme à ISO 4871.

Le niveau de puissance sonore pondérée A type est de 101 dB (A)

Le niveau de pression acoustique pondéré A type est de 90 dB (A)

Incertitude KpA: 3 dB (A)

Porter des protections anti-bruit.

Valeurs totales des vibration (somme vectorielle triaxiale) déterminée conformément à EN60745.

Couper du carton gris :

Valeur d'émission de vibration  $a_h = 2,7 \text{ m/s}^2$

Incertitude K = 1,5  $\text{m/s}^2$

La valeur totale des vibrations a été mesurée par une méthode d'essai standard et peut être utilisée pour comparer un outil à un autre.

Elle peut également être utilisée pour une évaluation préliminaire du niveau d'exposition.

#### AVERTISSEMENT

- La valeur d'émission de vibration en fonctionnement de l'outil électrique peut être différente de la valeur totale déclarée, en fonction des utilisations de l'outil.
- Identification les mesures de protection de l'utilisateur fondées sur une estimation de l'exposition en conditions d'utilisation (tenant compte de tous les aspects du cycle d'utilisation, tels que les moments où l'outil est mis hors tension ou lorsqu'il tourne à vide en plus des temps de déclenchements).



## AVVERTIMENTI GENERALI DI SICUREZZA SUGLI UTENSILI ELETTRICI

### ⚠ AVVERTENZA

**Leggere tutti gli avvertimenti di sicurezza e tutte le istruzioni.**

*La mancata osservanza degli avvertimenti e delle istruzioni potrebbe essere causa di scosse elettriche, incendi e/o gravi lesioni.*

**Salvare tutti gli avvertimenti e le istruzioni per riferimenti futuri.**

*Il termine "elettroutensili" riportato nelle avvertenze si riferisce agli elettroutensili azionati con alimentazione di rete (via cavi) o a batterie (senza cavi).*

#### 1) Sicurezza dell'area operativa

- Mantenere l'area operativa pulita e ordinata.**  
*Aree operative sporche o disordinate possono favorire gli infortuni.*
- Non utilizzare gli elettroutensili in atmosfere esplosive, ad es. in presenza di liquidi, gas o polveri infiammabili.**  
*Gli elettroutensili generano delle scintille che potrebbero accendere la polvere o i fumi.*
- Tenere lontani bambini e astanti durante l'utilizzo degli elettroutensili.**  
*Qualsiasi distrazione può essere causa di perdita di controllo.*

#### 2) Sicurezza elettrica

- Le spine degli elettroutensili devono essere idonee alle prese disponibili.**  
**Non modificare mai le prese.**  
**Con gli elettroutensili a massa (messi a terra), non utilizzare alcun adattatore.**  
*L'utilizzo di spine intatte e corrispondenti alle prese disponibili ridurrà il rischio di scosse elettriche.*
- Evitare qualsiasi contatto con le superfici a massa o a terra, quali tubi, radiatori, fornelli e frigoriferi.**  
*In caso di messa a terra o massa del corpo, sussiste un maggior rischio di scosse elettriche.*
- Non esporre gli elettroutensili alla pioggia o all'umidità.**  
*La penetrazione di acqua negli elettroutensili aumenterà il rischio di scosse elettriche.*
- Non tirare il cavo. Non utilizzarlo per il trasporto, o per tirare o scollegare l'elettroutensile.**  
**Tenere il cavo lontano da fonti di calore, oli, bordi appuntiti o parti in movimento.**  
*Cavi danneggiati o attorcigliati possono aumentare il rischio di scosse elettriche.*
- Durante l'uso degli elettroutensili all'esterno, utilizzare una prolunga idonea per usi esterni.**  
*L'utilizzo di cavi per esterno riduce il rischio di scosse elettriche.*
- Se è impossibile evitare l'impiego di un utensile elettrico in un luogo umido, utilizzare l'alimentazione protetta da un dispositivo a corrente residua (RCD).**  
*L'uso di un RCD riduce il rischio di scosse elettriche.*

#### 3) Sicurezza personale

- Durante l'uso degli elettroutensili, state all'erta, verificate ciò che state eseguendo e adottate sempre il buon senso.**  
**Non utilizzate gli elettroutensili qualora siate stanchi, sotto l'influenza di farmaci, alcol o cure mediche.**  
*Anche un attimo di disattenzione durante l'uso degli elettroutensili potrebbe essere causa di gravi lesioni personali.*

- Indossate l'attrezzatura di protezione personale. Indossate sempre le protezioni oculari.**

*L'attrezzatura protettiva, quali maschera facciale, calzature antiscivolo, caschi o protezioni oculari ridurrà il rischio di lesioni personali.*

- Impedite le accensioni involontarie. Prima del collegamento a una sorgente di alimentazione e/o pacco batteria e prima di raccogliere o trasportare l'utensile, verificate che l'interruttore sia posizionato su OFF.**

*Il trasporto degli elettroutensili tenendo le dita sull'interruttore o l'attivazione elettrica degli utensile che hanno l'interruttore su ON, implica il rischio di incidenti.*

- Prima di attivare l'elettroutensile, rimuovete qualsiasi chiave di regolazione.**

*Lasciando la chiave in un componente in rotazione dell'elettroutensile, sussiste il rischio di lesioni personali.*

- Mantenersi in equilibrio. Mantenersi sempre su due piedi, in equilibrio stabile.**

*Ciò consente di controllare al meglio l'elettroutensile in caso di situazioni impreviste.*

- Vestirsi in modo adeguato. Non indossare abiti larghi o gioielli. Tenere i capelli, gli abiti e i guanti lontano dalle parti in movimento.**

*Abiti allentati, gioielli e capelli lunghi potrebbero impigliarsi nelle parti in movimento.*

- In caso di dispositivi provvisti di collegamento ad apparecchiature di rimozione e raccolta polveri, verificare che queste siano collegate e utilizzate in modo adeguato.**

*L'utilizzo della raccolta della polvere può ridurre i rischi connessi alle polveri.*

#### 4) Utilizzo e manutenzione degli elettroutensili

- Non utilizzare elettroutensili non idonei. Utilizzare l'elettroutensile idoneo alla propria applicazione.**

*Utilizzando l'elettroutensile corretto, si garantirà un'esecuzione migliore e più sicura del lavoro, alla velocità di progetto.*

- Non utilizzare l'elettroutensile qualora non sia possibile accenderlo/spengerlo tramite l'interruttore.**

*È pericoloso utilizzare elettroutensili che non possano essere azionati dall'interruttore. Provvedere alla relativa riparazione.*

- Prima di effettuare qualsiasi regolazione, sostituire gli accessori o depositare gli elettroutensili, scollegare la spina dalla presa elettrica e/o il pacco batteria dall'utensile elettrico.**

*Queste misure di sicurezza preventive riducono il rischio di avvio involontario dell'elettroutensile.*

- Depositare gli elettroutensili non utilizzati lontano dalla portata dei bambini ed evitare che persone non esperte di elettroutensili o non a conoscenza di quanto riportato sulle presenti istruzioni azionino l'elettroutensile.**

*È pericoloso consentire che utenti non esperti utilizzino gli elettroutensili.*

- Manutenzione degli elettroutensili. Verificare che non vi siano componenti in movimento disallineati o bloccati, componenti rotti o altre condizioni che potrebbero influenzare negativamente il funzionamento dell'elettroutensile.**

*In caso di guasti, provvedere alla riparazione dell'elettroutensile prima di riutilizzarlo.*

*Molti incidenti sono causati da una scarsa manutenzione.*

f) **Mantenere gli strumenti di taglio affilati e puliti.**  
*Gli strumenti di taglio in condizioni di manutenzione adeguata, con bordi affilati, sono meno soggetti al bloccaggio e sono più facilmente controllabili.*

g) **Utilizzare l'elettrotensile, gli accessori, le barrette, ecc. in conformità a quanto riportato nelle presenti istruzioni, tenendo in debita considerazione le condizioni operative e il tipo di lavoro da eseguire.**

*L'uso dell'utensile elettrico per operazioni diverse da quelle previste potrebbe causare una situazione pericolosa.*

## 5) Assistenza

a) **Affidate le riparazioni dell'elettrotensile a persone qualificate che utilizzino solamente parti di ricambio identiche.**

*Ciò garantirà il mantenimento della sicurezza dell'elettrotensile.*

## PRECAUZIONI

Tenere lontano dalla portata di bambini e invalidi.

Quando non utilizzati, gli strumenti dovranno essere depositati lontano dalla portata di bambini e invalidi.

## PRECAUZIONI DI SICUREZZA PER LA SEGA CIRCOLARE

### Procedure di taglio

a) **⚠ PERICOLO: Non avvicinare le mani all'area di taglio e alla lama. Tenere l'altra mano sulla manopola ausiliaria o sulla carcassa del motore.**  
*Tenendo la sega con entrambe le mani, non vi è possibilità di tagliarsi*

b) **Non mettere le mani sotto il pezzo da lavorare.**  
*La griglia non funge da protezione dalla lama posta sotto il pezzo da lavorare.*

c) **Regolare la profondità di taglio in base allo spessore del pezzo da lavorare.**

*Sotto il pezzo da lavorare, dovrebbe vedersi meno di un piede dei denti della lama.*

d) **Non tagliare il pezzo tenendolo in mano o tra le gambe. Posizionare il pezzo da lavorare su una superficie stabile.**

*Si raccomanda di sostenere in modo adeguato il pezzo da lavorare, al fine di ridurre l'esposizione, la possibilità di inceppamento della lama o la perdita di controllo.*

e) **Afferrare l'attrezzo solo dalle superfici di presa isolate durante le operazioni in cui l'attrezzo di taglio potrebbe entrare a contatto con i cablaggi nascosti o con il suo cavo.**

*Il contatto con un filo in tensione rende anche le parti metalliche esposte dell'attrezzo in tensione e può provocare scosse elettriche all'operatore.*

f) **Quando si carteggia, utilizzare sempre la protezione verticale o una guida a bordo dritto.**

*In tal modo è possibile ottimizzare la precisione di taglio e ridurre la possibilità d'inceppamento della lama.*

g) **Utilizzare sempre lame con alesaggio di forma e dimensioni adeguate (a forma di diamante contro rotonda).**

*Lame non adatte all'utensileria di montaggio della sega, funzioneranno con movimento eccentrico, causando perdita del controllo.*

h) **Non utilizzare rondelle o bulloni danneggiati o inadeguati.**

*Le rondelle e il bullone sono stati prodotti appositamente per il vostro tipo di sega, in modo tale da garantire prestazioni elevate e sicurezza durante l'uso.*

## Cause del rinculo e relative precauzioni

– per contraccolpo s'intende una reazione repentina della lama di una sega non ammaccata, inceppata o mal allineata, con conseguente sollevamento involontario della sega fuori dal pezzo di lavoro, in direzione dell'operatore;

– se la lama è schiacciata o fortemente ostacolata dal solco di taglio verso il basso, si arresta e, per reazione del motore, l'unità si sposta rapidamente in direzione dell'operatore;

– se la lama è svergolata o mal allineata rispetto al taglio, i denti del bordo posteriore della lama potrebbero affondare nella superficie superiore del legno, con conseguente fuoriuscita della lama dal solco di taglio e rimbalzo indietro verso l'operatore.

Il contraccolpo è il risultato di un uso scorretto della sega e/o di procedure o condizioni di utilizzo non adeguate; per evitarlo, agire come segue.

a) **Afferrare la sega con entrambe le mani in modo fermo, quindi esercitare forza con le braccia per resistere al contraccolpo.**

**Posizionarsi su uno dei due lati della lama, senza tuttavia allinearsi ad essa.**

*Il contraccolpo potrebbe causare il rimbalzo all'indietro della lama; tuttavia, se l'operatore osserva le precauzioni adeguate, è possibile tenerlo sotto controllo.*

b) **Se la lama è inceppata o si arresta per qualsiasi motivo, rilasciare il dispositivo di attivazione e tenere ferma la sega nel materiale finché la lama non si sia arrestata completamente.**

**Per evitare il contraccolpo, evitare di rimuovere la sega dal pezzo da lavorare o di tirarla indietro quando in movimento.**

*Per risolvere l'inceppamento della lama, effettuare le opportune verifiche e agire di conseguenza.*

c) **Al riavvio della sega sul pezzo da lavorare, posizionare la lama al centro del solco di taglio, quindi controllare che i denti della sega non siano penetrati nel materiale.**

*Se la lama della sega è inceppata, riavviando la sega, essa potrebbe spostarsi verso l'alto o essere soggetta a contraccolpo.*

d) **Per ridurre il rischio di ammaccatura o contraccolpo della lama, posizionare dei sostegni sotto i pannelli grandi.**

*I pannelli grandi tendono ad avvallarsi sotto il loro peso. È possibile collocare i sostegni sotto il pannello su entrambi i lati, in prossimità della linea di taglio e del bordo del pannello.*

e) **Evitare di utilizzare lame non taglienti o danneggiate. Qualora le lame non siano affilate o siano state impostate in modo inadeguato, il solco di taglio risulterà stretto, causando eccessiva frizione, ammaccatura e contraccolpo della lama.**

f) **Prima di effettuare il taglio, serrare bene le leve di bloccaggio della regolazione del bisello e della profondità della lama.**

*Se la lama oscilla durante il taglio, vi è il rischio d'inceppamento o contraccolpo.*

- g) Utilizzare estrema cautela durante le operazioni di segatura in pareti esistenti e altre aree cieche.

*Una lama sporgente potrebbe tagliare gli oggetti e, quindi, essere soggetta a contraccolpo.*

#### Funzione della guardia inferiore

- a) Prima di ogni utilizzo, verificare che la griglia inferiore sia adeguatamente chiusa. Se la griglia non si muove liberamente e si chiude di scatto, non attivare la sega. Non bloccare la griglia inferiore nella posizione di apertura.

*Una caduta accidentale della sega potrebbe piegare la griglia.*

*Sollevare la griglia inferiore con la manopola di rientro, verificando che si possa spostare liberamente e che, a fronte di ogni angolo o profondità di taglio, non entri in contatto con la lama né con alcun altro elemento.*

- b) Verificare il funzionamento della molla della griglia inferiore. Se la griglia e la molla non funzionano adeguatamente, prima dell'uso, provvedere ai necessari interventi di manutenzione.

*In caso di parti danneggiate, depositi gommosi o incrostazioni, la griglia inferiore potrebbe funzionare lentamente.*

- c) La guardia inferiore può essere ritratta manualmente solo per tagli speciali come i "tagli a tuffo" e i "tagli composti". Sollevare la griglia inferiore retraendo la manopola; non appena la lama penetrerà nel materiale, rilasciare la griglia inferiore.

*Per tutte le altre seghe, la griglia inferiore funzionerà automaticamente.*

- d) Prima di posizionare la sega su un banco o a pavimento, verificare che la griglia inferiore copra la lama.

*Se la lama non è coperta ed è libera, la sega potrebbe spostarsi all'indietro, tagliando qualsiasi oggetto sul suo percorso.*

*Dopo aver rilasciato l'interruttore, porre attenzione al tempo necessario per l'arresto della lama.*

#### Funzione coltello di fenditura

- a) Utilizzare la lama di segatura appropriata per il coltello di fenditura.

*Perché il coltello di fenditura funzioni, il corpo della lama deve essere più sottile del coltello di fenditura e la larghezza di taglio della lama deve essere maggiore dello spessore del coltello di fenditura.*

- b) Regolare il coltello separatore come descritto nel presente manuale d'istruzioni.

*Un posizionamento e allineamento scorretti possono annullare l'efficacia del coltello separatore nel prevenire i contraccolpi.*

- c) Utilizzare sempre il coltello separatore ad eccezione di quando si sta effettuando un taglio in profondità. E' necessario sostituire il coltello separatore dopo aver eseguito tagli in profondità. Il coltello separatore causa interferenze durante i tagli in profondità e può creare contraccolpi.

- d) Affinché il coltello separatore funzioni, esso deve essere fissato nel pezzo da lavorare.

*Il coltello separatore non è efficace nel prevenire contraccolpi durante i tagli corti.*

- e) Non azionare la sega se il coltello separatore è piegato.

*Persino una leggera interferenza potrebbe rallentare la velocità di chiusura di un dispositivo di protezione.*

## PRECAUZIONI PERL'USO DELLA SEGA CIRCOLARE

1. Non usare lame deformate o rotte.
2. Non usare lame di acciaio rapido.
3. Non usare lame non conformate alle caratteristiche specificate in queste istruzioni.
4. Non fermare le lame della sega mediante pressione laterale sul disco.
5. Tenere sempre affilate le lame.
6. Assicurarsi che il dispositivo di protezione inferiore si muova senza resistenza e liberamente.
7. Non usare mai la sega circolare con il suo dispositivo di protezione fissato in posizione aperta.
8. Assicurarsi che tutti i meccanismi di ritrazione del sistema di protezione funzionino correttamente.
9. Le lame della sega devono essere più fini del coltello e la larghezza del taglio, o dell'incisione (con il set dentellato), deve essere maggiore dello spessore del coltello.
10. Non impiegare MAI la sega circolare con la lama girata verso l'alto o lateralmente.
11. Assicurarsi che l'oggetto da lavorare sia privo di corpi estranei, come per esempio chiodi.
12. Il coltello dovrebbe essere sempre usato eccetto quando si preme nel mezzo del pezzo di lavoro.
13. Per i modelli C6U2 e C6BU2, le lame della sega possono variare da 165 mm a 162 mm. Per i modelli C7U2 e C7BU2, le lame della sega possono variare da 190 mm a 185 mm.
14. Per i modelli C6BU2 e C7BU2, fare attenzione al contraccolpo del freno. I modelli C6BU2 e C7BU2 impiegano un freno elettrico che agisce quando viene rilasciato l'interruttore. Siccome si può verificare un contraccolpo quando il freno entra in funzione, assicurarsi di tenere saldamente il corpo principale.
15. L'operazione di frenata può a volte produrre scintille quando si disattiva l'interruttore, perché i modelli C6BU2 e C7BU2 impiegano freni elettrici. Tenere comunque presente che questo fenomeno non è indice di guasti.
16. Per i modelli C6BU2 e C7BU2, quando il freno perde efficacia, sostituire le spazzole di carbone con altre nuove.
17. Scollegare la spina dalla presa prima di eseguire qualsiasi regolazione, riparazione o manutenzione.

## CARATTERISTICHE

Modello		C6U2	C6BU2	C7U2	C7BU2
Voltaggio (per zona)*		(110 V, 120 V, 127 V, 220 V, 230 V, 240 V) ~			
Profondità di taglio	90°	54 mm		66 mm	
	45°	39 mm		48 mm	
Potenza assorbita*		1100 W		1200 W	
Velocità senza carico		5500 min <sup>-1</sup>			
Peso (senza il cavo)		3,5 kg		4,0 kg	

\*Accertatevi di aver controllato bene la piastrina perchè essa varia da zona a zona.

## ACCESSORI STANDARD

- (1) Lama (montata sull'utesile) ..... 1  
 ( Diam. 165 mm ..... C6U2, C6BU2 )  
 ( Diam. 190 mm ..... C7U2, C7BU2 )
- (2) Chiave esagonale ..... 1  
 (3) Guida ..... 1  
 (4) Bullone a farfalla ..... 1  
 (5) Leva (tipo corto) ..... 1  
 (6) Raccogli-polvere ..... 1
- Gli accessori standard possono essere cambiati senza preavviso.

## ACCESSORI OPZIONALI (venduti a parte)

- (1) Rondella (A)  
 ..... per 16 mm (dia. foro lama sega)  
 ..... per 30 mm (dia. foro lama sega)
- (2) Adattatore per binario di guida (vedere la Fig. 13)

Gli accessori opzionali possono essere cambiati senza preavviso.

## IMPIEGHI

Taglio di vari tipi di legno.

## PRIMA DELL'USO

### 1. Alimentazione

Assicurarsi che la rete di alimentazione che si vuole usare sia compatibile con le caratteristiche relative all'alimentazione di corrente specificate nella piastrina dell'apparecchio.

### 2. Interruttore di corrente

Mettere l'interruttore in posizione SPENTO. Se la spina è infilata in una presa mentre l'interruttore è acceso, l'utensile elettrico si mette immediatamente in moto, facilitando il verificarsi di incidenti gravi.

### 3. Prolunga del cavo

Quando l'ambiente di lavoro è lontano da una presa di corrente, usare una prolunga del cavo di sufficiente spessore e di prestazione adeguata. La prolunga deve essere più corta possibile.

### 4. Preparazione di un banco di lavoro di legno (Fig. 1)

Poichè la lama oltrepassa la superficie inferiore del legno da tagliare, mettere il legno su un banco di lavoro quando si effettua il taglio.

Se si usa un blocco quadrato come banco di lavoro, scegliere un suolo livellato al fine di assicurare la sua necessaria stabilità. Un piano di lavoro instabile comporta un funzionamento pericoloso.

## ATTENZIONE

Al fine di evitare eventuali incidenti, fare sempre in modo che la parte di legno che resta dopo il taglio sia ben ancorata o tenuta in posizione.

## REGOLAZIONI PRIMA DEL TAGLIO

### 1. Regolazione della profondità di taglio

Allentare la manopola con una mano, tenendo l'altra mano sull'impugnatura, come mostrato in Fig. 2. La profondità della fessura può essere regolata spostando la base sulla posizione desiderata. Regolare la profondità di taglio, quindi riserrare a fondo la manopola.

### 2. Regolazione del coltello separatore

Allentare il bullone esagonale utilizzato per fissare il coltello separatore, regolare il coltello separatore in modo che la distanza tra il coltello separatore e il bordo della lama non superi 3mm, e il bordo della lama non si estenda più di 3 mm oltre l'estremità inferiore del coltello separatore (Fig. 3) e riserrare saldamente il bullone.

### 3. Regolazione dell'angolo di inclinazione:

Come indicato in Fig. 4 (A), Fig. 4 (B) allentando il dado a farfalla della scala curva e il bullone a farfalla della base, è possibile inclinare la lama della sega fino ad un massimo di 45° rispetto alla base. Una volta completata la regolazione, controllare di nuovo che il dado a farfalla e il bullone a farfalla siano serrati bene.

### 4. Regolazione della guida (Fig. 5)

La posizione del taglio può essere regolata spostando verso sinistra o verso destra la guida, dopo aver allentato il relativo galletto. La guida può essere montata sia sul lato destro sia su quello sinistro dell'utensile.

### 5. Regolazione della parte di guida

Sulla sega circolare, è possibile eseguire regolazioni precise della posizione di fissaggio della parte di guida, dove la lama della sega va allineata con la traccia di taglio.

Quando la sega esce dalla fabbrica, la parte lineare di una scala anteriore sulla parte di guida allineata con la posizione centrale della lama della sega. (Fig. 6) Allentare la vite M4 fissa sulla parte di guida, se la posizione di fissaggio è sbagliata, ed eseguire le necessarie regolazioni della posizione.

### 6. Utilizzo del raccogli-polvere

Utilizzare l'aspirapolvere per raccogliere la segatura, fissare il tubo d'aspirazione per raccogli-polvere, che è fissato all'unità principale tramite le viti M4 e M5. Nel fissare il raccogli-polvere, assicurarsi di cambiare allo stesso tempo la leva con quella di tipo corto (Fig. 12).

**ATTENZIONE**

Se si continua ad utilizzare la leva che era fissata all'unità principale prima del trasporto dalla fabbrica, c'è il rischio che essa rimanga incastrata sul raccogli-polvere e interferisca con il funzionamento del dispositivo di protezione inferiore.

**PROCEDURE PER IL TAGLIO**

- Collocare la base sul materiale, quindi allineare la riga già marcata e la lama della sega con la sezione scala anteriore di pezzo guida sul davanti della base (Fig. 6).  
Quando la base non è inclinata usare l'intaglio grande come guida. (Fig. 6, Fig. 7 (A)) Se la base è inclinata (45 gradi) usare la scala anteriore piccola come guida (Fig. 6, Fig. 7 (B)).
- Fare in modo che l'interruttore sia in posizione ON prima che la sega venga a contatto con il legno. L'interruttore è in posizione ON quando il grilletto è premuto ed in posizione OFF quando esso è rilasciato.
- Si ottiene un ottimo taglio quando la sega si muove dritta, a velocità costante.

**ATTENZIONE**

Prima di effettuare l'operazione di taglio, ispezionare il materiale che si deve tagliare; se al taglio potrebbe generare polveri pericolose/tossiche, assicurarsi che alla bocchetta di uscita della polvere sia saldamente collegato un sacchetto raccogli-polvere o un sistema di estrazione polvere adeguato.

Inoltre, se presente, indossare la maschera antipolvere. Uno strato di PFTE (fibra di grafite) viene applicato alle basi del tipo C6BU2 e C7BU2. Fare attenzione a non esercitare una pressione eccessiva sul corpo dell'unità perché tende a posizionare un carico pesante sul motore. L'uso di una leggera pressione faciliterà lo scivolamento del pezzo e permetterà di tagliare con meno forza. Se si cerca di tagliare legno ricoperto di materiale composto da particelle rigide come sabbia o trucioli di metallo si tende a graffiare facilmente la superficie danneggiandone il rivestimento, pertanto fare attenzione.

- Prima di iniziare a segare, assicurarsi che la lama abbia raggiunto la piena velocità di rotazione.
- Nel caso che la lama si arresti o faccia un rumore eccessivo durante il funzionamento, spegnere immediatamente l'interruttore.
- Fare sempre attenzione ad evitare che il cavo di alimentazione vada vicino alla lama ruotante.
- Al fini della sicurezza, evitare di utilizzare la sega circolare tenendo la lama rivolta verso l'alto o trasversalmente.
- Durante il taglio, indossare sempre gli occhiali di protezione.
- Al termine di un lavoro, estrarre la spina dalla presa.

**MONTAGGIO E RIMOZIONE DELLA LAMA****ATTENZIONE**

Per evitare gravi incidenti, assicurarsi che l'interruttore sia in posizione OFF e che il cavo sia staccato dalla presa.

**1. Rimozione della lama circolare**

- Mettere al massimo la regolazione della profondità del taglio e porre la sega circolare come indicato nella Fig. 8.

- Abbassare la leva di bloccaggio, bloccare il perno e rimuovere il bullone esagonale con la chiave esagonale.
- Tenendo la leva del dispositivo di protezione inferiore in modo che quest'ultimo sia in posizione completamente arretrata nel carter della sega, rimuovere la lama della sega.

**2. Montaggio della lama circolare**

- Ripulire dalla polvere di segatura asse, bullone e rondelle.
- Come indicato nella Fig. 9, il lato della rondella (A) che presenta la parte centrale sporgente, con il diametro uguale al diametro interno della lama, ed il lato concavo della rondella (B) devono appoggiare sui due lati della lama.  
\* La rondella (A) è in dotazione per i tipi di lama con diametri foro di 16 mm e 30 mm. (Quando si acquista una sega circolare viene fornito un tipo di rondella (A)).  
Se il diametro foro della lama utilizzata non corrisponde alla rondella (A), contattare il negozio presso cui è stata acquistata la sega circolare.
- Montare la lama circolare in modo che la freccia sulla lama circolare sia allineata con la freccia sul carter della sega.
- Serrare il più strettamente possibile con le dita il bullone esagonale che ferma la lama circolare. Quindi premere la leva di bloccaggio, bloccare il perno e serrare saldamente il bullone.

**ATTENZIONE**

Dopo aver attaccato la lama della sega, controllare di nuovo che la leva di bloccaggio sia bloccata fermamente nella posizione prescritta.

**MANUTENZIONE E CONTROLLI****1. Controllo della lama**

Poiché l'uso di lame logose diminuisce l'efficacia e causa eventuali disfunzioni del motore, affilare o sostituire la lama non appena si nota la sua usura.

**2. Controllo delle viti di tenuta**

Controllare regolarmente tutte le viti di tenuta e assicurarsi che siano esclusivamente serrate. Nel caso che una di queste viti dovesse allentarsi riserrarla immediatamente. Se si non ottiene di farlo, si può causare una grave incidente.

**3. Controllo delle spazzole di carbone (Fig. 10)**

Il motore impiega spazzole di carbone che sono materiali di consumo. Poiché una spazzola di carbone troppo larga può creare fastidi al motore, sostituire la spazzola con una dello stesso numero indicato nella figura quando essa è logora fino al limite del regolamento e quasi.

Tenere inoltre sempre pulite le spazzole di carbone e fare in modo che esse scorrano liberamente nell'interno del portaspazzola.

**CAUTELA**

- Quando si sostituiscono nuove spazzole di carbone, usare sempre spazzole di carbone Hitachi autentiche con il numero specificato nel diagramma.
- Per il modello C6BU2 e C7BU2, il freno potrebbe non funzionare se vengono utilizzate spazzole di carbone diverse da quelle specificate. Quando il freno perde efficacia, sostituire le spazzole di carbone con altre nuove.

**4. Sostituzione di una spazzola di carbone**

Togliere la capsula della spazzola con un cacciavite a taglio. La spazzola può così essere agevolmente rimossa.

**5. Manutenzione del motore**

L'avvolgimento del motore il vero e proprio "cuore" degli attrezzi elettrici. Fare attenzione a non danneggiare l'avvolgimento e/o non bagnarlo con olio o acqua.

**6. Quadratura della base e della lama circolare**

L'angolo tra la lama circolare e la base viene originariamente regolato a 90°. Nel caso che col tempo la quadratura venga meno eseguire la regolazione nel modo seguente:

- (1) Girare la base verso l'alto (**Fig. 11**) e allentare il dado a farfalla e il bullone a farfalla (**Fig. 4 (A)**, **Fig. 4 (B)**).
- (2) Con una squadra appoggiata tra la base e la lama circolare, al fine di spostare la base, ruotare la vite senza fine con un cacciavite a testa piatta. Regolare l'angolo tra la base e la lama circolare in modo da ottenere la quadratura.

**7. Lista dei pezzi di ricambio**

- A: N. voce
- B: N. codice
- C: N. uso
- D: Note

**CAUTELA**

Riparazioni, modifiche e ispezioni di utensili elettrici Hitachi devono essere eseguite da un centro assistenza Hitachi autorizzato.

Questa lista dei pezzi torna utile se viene presentata con l'utensile al centro assistenza Hitachi autorizzato quando si richiedono riparazioni o altri interventi di manutenzione.

Nell'uso e nella manutenzione degli utensili elettrici devono essere osservate le normative di sicurezza e i criteri prescritti in ciascun paese.

**MODIFICHE**

Gli utensili elettrici Hitachi vengono continuamente migliorati e modificati per includere le più recenti innovazioni tecnologiche.

Di conseguenza, alcuni pezzi (p.es. numero di codice e/o design) possono essere modificati senza preavviso.

---

**GARANZIA**

Garantiamo gli Utensili Elettrici Hitachi in conformità alle specifiche normative imposte dalla legge e dai paesi. Questa garanzia non copre difetti o danni dovuti a uso erraneo, abuso o normale usura. In caso di lamentele, si prega di inviare l'Utensile Elettrico, non smontato, insieme al CERTIFICATO DI GARANZIA che si trova al termine di queste Istruzioni per l'uso, ad un Centro di Assistenza Autorizzato Hitachi.

---

**NOTA**

A causa del continuo programma di ricerca e sviluppo della HITACHI, le caratteristiche riportate in questo foglio sono soggette a cambiamenti senza preventiva comunicazione.

---

---

**Informazioni riguardanti i rumori trasmessi dall'aria e le vibrazioni**

I valori misurati sono stati determinati in conformità a EN60745 e descritti in conformità alla normativa ISO 4871.

Il livello di potenza sonora pesato A tipico è di 101 dB (A)

Il livello di pressione sonora pesato A tipico è di 90 dB (A)  
KpA incertezza: 3 dB (A)

Indossare i dispositivi di protezione acustica.

Valori totali di vibrazione (somma vettori triass.) determinati secondo la norma EN60745.

Taglio di truciolare:

Valore di emissione vibrazioni  $\dot{a}h = 2,7 \text{ m/s}^2$

Incertezza  $K = 1,5 \text{ m/s}^2$

---

Il valore totale di emissione vibrazioni dichiarato è stato misurato in base al metodo di test standard e può essere utilizzato per confrontare un utensile con un altro.

Può essere inoltre utilizzato per la stima preliminare dell'esposizione.

**AVVERTENZA**

- Il valore di emissione vibrazioni durante l'uso effettivo dell'utensile può essere diverso dal valore totale dichiarato in base alle modalità di utilizzo dell'utensile stesso.
- Identificare le misure di sicurezza per la protezione dell'operatore basate su stima dell'esposizione nelle effettive condizioni di utilizzo (prendendo in considerazione tutte le parti del ciclo di funzionamento come i tempi in cui l'utensile resta spento e quando funziona senza essere utilizzato in aggiunta al tempo di avvio).

## ALGEMENE VEILIGHEIDSWAARSCHUWINGEN VOOR ELEKTRISCH GEREEDSCHAP

### ⚠ WAARSCHUWING

Lees alle waarschuwingen en instructies aandachtig door. Nalating om de waarschuwingen en instructies op te volgen kan in een elektrische schok, brand en/of ernstig letsel resulteren.

Bewaar alle waarschuwingen en aanwijzingen voor eventuele naslag in de toekomst.

De term "elektrisch gereedschap" heeft zowel betrekking op elektrisch gereedschap dat via de netvoeding van stroom wordt voorzien als gereedschap dat via een accu (snoerloos) van stroom wordt voorzien.

#### 1) Veiligheid van de werkplek

- Zorg voor een schone en goed verlichte werkplek.**  
*Een rommelige of donkere werkplek verhoogt de kans op ongelukken.*
- Gebruik het elektrisch gereedschap niet in een omgeving met ontplofbare vloeistoffen, gassen of stof.**  
*Elektrisch gereedschap kan vonken afgeven. Deze vonkjes kunnen stofdeeltjes of gassen doen ontbranden.*
- Houd kinderen en andere toeschouwers tijdens het gebruik van elektrische gereedschap uit de buurt.**  
*Afleidingen kunnen gevaarlijk zijn.*

#### 2) Elektrische veiligheid

- De stekker op het elektrische gereedschap moet geschikt zijn voor aansluiting op de wandcontactdoos.**  
*De stekker mag op geen enkele manier gemodificeerd worden. Gebruik geen verloopstekker met geaard elektrisch gereedschap.*  
*Deugdelijke stekkers en geschikte wandcontactdozen verminderen het risico op een elektrische schok.*
- Vermijd lichamelijk contact met geaarde oppervlakken zoals leidingen, radiatoren, fornuizen en koelkasten.**  
*Wanneer uw lichaam in contact staat met geaarde oppervlakken loopt u een groter risico op een elektrische schok.*
- Stel het elektrisch gereedschap niet bloot aan regen of vochtige omstandigheden.**  
*Het risico op een elektrische schok wordt vergroot wanneer er water in het elektrisch gereedschap terecht komt.*
- Behandel het snoer voorzichtig. Draag het gereedschap nooit door dit bij het snoer vast te houden. Trek niet aan het snoer wanneer u de stekker uit het stopcontact wilt halen.**  
*Houd het snoer uit de buurt van warmtebronnen, olie, scherpe randen of bewegende onderdelen.*  
*Een beschadigd of verward snoer verhoogt het risico op een elektrische schok.*
- Gebruik buitenshuis een verlengsnoer dat specifiek geschikt is voor het gebruik buiten.**  
*Het gebruik van een snoer dat specifiek geschikt is voor gebruik buitenshuis vermindert het risico op een elektrische schok.*
- Als het elektrisch gereedschap in een vochtige omgeving gebruikt moet worden, dient een voeding met RCD (reststroom-apparaat) beveiliging te worden gebruikt.**  
*Gebruik van een RCD vermindert de kans op een elektrische schok.*

#### 3) Persoonlijke veiligheid

- Blijf waakzaam, let voortdurend op uw werk en gebruik uw gezond verstand wanneer u elektrisch gereedschap gebruikt.**  
*Gebruik geen elektrisch gereedschap wanneer u moe bent of onder invloed van drugs, alcohol of medicijnen.*

*Eén moment van onoplettendheid kan in ernstig lichamelijk letsel resulteren.*

- Gebruik persoonlijke beschermingsmiddelen. Draag altijd oogbescherming.**  
*Beschermingsmiddelen zoals stofmaskers, niet-glijdende veiligheidsschoenen, een helm of oorbescherming vermindert het risico op lichamelijk letsel.*
  - Voorkom dat het gereedschap per ongeluk kan starten. Controleer of de schakelaar in de uit-stand staat voordat u de voeding en/of de accu aansluit, het gereedschap oppakt of gaat dragen.**  
*Zorg ervoor dat u tijdens het verplaatsen van het elektrisch gereedschap uw vingers uit de buurt van de schakelaar houdt en sluit de stroombron niet aan terwijl de schakelaar op aan staat om ongelukken te vermijden.*
  - Verwijder sleutels en moersleutels uit het gereedschap voordat u het elektrisch gereedschap aanzet.**  
*Een (moer-)sleutel die op een bewegend onderdeel van het elektrisch gereedschap bevestigd is kan in lichamelijk letsel resulteren.*
  - Reik niet te ver. Zorg ervoor dat u te allen tijde stevig staat en uw evenwicht behoudt.**  
*Op deze manier heeft u tijdens een onverwachte situatie meer controle over het elektrisch gereedschap.*
  - Draag geen loszittende kleding of sieraden. Houd uw haar, kleding en handschoenen uit de buurt van bewegende onderdelen.**  
*Loszittende kleding, sieraden en lang haar kunnen in de bewegende onderdelen verstrikt raken.*
  - Indien het elektrisch gereedschap van een aansluiting voor stofafzuiging is voorzien dan dient u ervoor te zorgen dat de stofafzuiging aangesloten en op de juiste manier gebruikt wordt.**  
*Het gebruik van stofafzuiging vermindert eventuele stofgerelateerde risico's.*
- #### 4) Bediening en onderhoud van elektrisch gereedschap
- Het elektrisch gereedschap mag niet geforceerd worden. Gebruik het juiste gereedschap voor het karwei.**  
*U kunt de klus beter en veiliger uitvoeren wanneer u het juiste elektrische gereedschap gebruikt.*
  - Gebruik het elektrisch gereedschap niet als de schakelaar niet goed werkt.**  
*Elektrisch gereedschap dat niet via de schakelaar bediend kan worden is gevaarlijk en moet onmiddellijk gerepareerd worden.*
  - Haal de stekker uit het stopcontact voordat u de voeding en/of de accu van het elektrisch gereedschap losmaakt, afstellingen verricht, accessoires verwisselt of voordat u het elektrisch gereedschap opbergt.**  
*Dergelijke preventieve veiligheidsmaatregelen verminderen het risico dat het elektrisch gereedschap per ongeluk opstart.*
  - Berg elektrisch gereedschap buiten het bereik van kinderen op en sta niet toe dat personen die niet bekend zijn met het juiste gebruik van het gereedschap of deze voorschriften dit elektrisch gereedschap gebruiken.**  
*Elektrisch gereedschap is gevaarlijk in onbevoegde handen.*
  - Het elektrisch gereedschap moet regelmatig onderhouden worden. Controleer het gereedschap op een foutieve uitlijning, vastgelopen of defecte bewegende onderdelen en andere problemen die van invloed zijn op de juiste werking van het gereedschap.**  
*Indien het gereedschap defect of beschadigd is moet het gerepareerd worden voordat u het gereedschap opnieuw gebruikt.*

*Slecht onderhouden elektrisch gereedschap is verantwoordelijk voor een groot aantal doe-het-zelf ongelukken.*

- f) **Houd snijwerktuigen scherp en schoon.**  
*Goed onderhouden snijwerktuigen met scherpe snijranden lopen minder snel vast en zijn gemakkelijker in het gebruik.*
- g) **Elektrisch gereedschap, toebehoren, bits enz. moeten in overeenstemming met deze instructies worden gebruikt waarbij de werkomstandigheden en het werk in overweging moeten worden genomen.**  
*Gebruik van het elektrisch gereedschap voor andere doeleinden dan waarvoor het is bedoelt, kan resulteren in een gevaarlijke situatie.*

## 5) Onderhoudsbeurt

- a) **Het gereedschap mag uitsluitend door bevoegd onderhoudspersoneel worden onderhouden die authenticiteit onderdelen gebruikt.**  
*Hierdoor kunt u erop aan dat de veiligheid van het elektrisch gereedschap behouden blijft.*

## VOORZORGMAATREGELEN

Houd kinderen en kwetsbare personen op een afstand. Het gereedschap moet na gebruik buiten het bereik van kinderen en andere kwetsbare personen worden opgeborgen.

## VEILIGHEIDSWAARSCHUWINGEN VOOR DE CIRKELZAAGMACHINE

### Zaagprocedures

- a) **⚠ WAARSCHUWING:** Kom niet met uw handen in de buurt van het zaaggebied en het zaagblad. Houd met de andere hand de extra hendel of motorkap vast.  
*Als u de zaag met beide handen vasthoudt, kunt u zich niet snijden aan het blad.*
- b) **Reik niet onder het te zagen werkstuk.**  
*De beveiliging biedt geen bescherming voor onder het werkstuk.*
- c) **Stel de zaagdiepte in op de dikte van het werkstuk.**  
*Onder het te zagen werkstuk mag slechts een volle tand van het zaagblad zichtbaar zijn.*
- d) **Houd het te zagen werkstuk nooit met uw handen of tussen uw benen vast. Zorg ervoor dat het te zagen werkstuk op een stabiel platform ligt.**  
*Het is belangrijk dat het werkstuk goed wordt ondersteund zodat uw lichaam zo min mogelijk wordt blootgesteld aan gevaar, het blad vastloopt of u de controle verliest.*
- e) **Pak het elektrisch gereedschap alleen aan de geïsoleerde grepen vast als u handelingen uitvoert waarbij de zaag mogelijk contact maakt met bedrading of de eigen stroomkabel.**  
*Als u contact maakt met een kabel die onder spanning staat, zullen de blootgestelde metalen delen van de zaag onder spanning komen te staan wat kan resulteren in een elektrische schok voor de gebruiker.*
- f) **Bij het schulpen dient u altijd gebruik te maken van een langsgleider of zaagtandrichtliniaal.**  
*Dit verbetert de nauwkeurigheid van de snee en verlaagt de kans op een vastgelopen zaagblad.*
- g) **Gebruik altijd bladen van de juiste grootte en vorm (diamant versus rond) van opspandoringen.**

*Bladen die niet geschikt zijn voor de hardware van de zaag zullen excentrisch draaien en zo verliest u controle over het apparaat.*

- h) **Gebruik nooit beschadigde of onjuiste bouten of moeren voor het blad.**  
*De bouten en moeren zijn speciaal ontworpen voor deze zaag, zodat deze optimaal presteert en veilig kan worden gebruikt.*

### Oorzaken van terugslag en gerelateerde waarschuwingen

- terugslag is een plotselinge reactie als het zaagblad klemt, vastloopt of niet goed is uitgelijnd. Hierdoor schiet de zaag omhoog uit het werkstuk en richting de bediener;
- als het blad klemt of sterk vastloopt omdat de zaagsnede te smal wordt, stopt het blad en als gevolg van de motorreactie schiet het apparaat snel terug richting de bediener;
- als het blad knikt of niet goed is uitgelijnd, zullen de tanden aan de achterzijde van het blad in het bovenste oppervlak van het hout zagen zodat het blad uit de zaagsnede komt en terug kan schieten naar de bediener.

Terugslag is het gevolg van verkeerd gebruik en/of onjuiste bediening of omstandigheden. Dit kan worden voorkomen door de juiste voorzorgsmaatregelen te nemen, zoals hieronder vermeld.

- a) **Zorg dat u de zaag met beide handen goed vasthoudt en plaats uw armen zodanig dat u de kracht van de terugslag kunt weerstaan.**  
**Ga met uw lichaam aan een van de beide zijden van het blad staan, maar niet op een lijn met het blad.**  
*Terugslag kan ervoor zorgen dat de zaag terugschiet, maar de kracht ervan kan worden weerstaan door de bediener, indien deze de juiste voorzorgsmaatregelen heeft getroffen.*
- b) **Als het blad vastloopt, of als de snee om welke reden dan ook wordt onderbroken, laat dan de trekker los en houd de zaag bewegingsloos in het materiaal totdat het blad volledig stilstaat.**  
**Probeer nooit de zaag uit het werkstuk te halen of terug te trekken terwijl het blad nog beweegt; dit kan terugslag veroorzaken.**  
*Onderzoek en corrigeer zaken ter voorkoming van het vastlopen van het blad.*
- c) **Als u de zaag opnieuw aanzet in het werkstuk, centreer het zaagblad dan in de zaagsnede en controleer of de zaagtanden niet vastzitten in het materiaal.**  
*Als het zaagblad vastloopt, kan deze omhoog gaan of een terugslag geven zodra de zaag opnieuw wordt gestart.*
- d) **Ondersteun grote panelen om zo het risico op het klemmen van het blad en terugslag te voorkomen.**  
*Grote panelen kunnen onder hun gewicht doorzakken. Ondersteuning dient te worden geplaatst aan beide zijden onder het paneel, nabij de zaagsnede en de rand van het paneel.*
- e) **Gebruik geen stompe of beschadigde zaagbladen.**  
*Niet scherpe of onjuist ingestelde bladen produceren een smalle zaagsnede en dit zorgt voor extra frictie, het vastlopen van het blad en terugslag.*



- f) **Bladdiepte en de sluithefbomen van de instellingen van de afschuining moeten goed zijn vergrendeld voordat u kunt gaan zagen.**  
*Als het aanpassen van het zaagblad verschuift tijdens het zagen, kan deze vastlopen en terugslag veroorzaken.*
- g) **Wees extra zorgvuldig als u in een bestaande wand zaagt of andere blinde gebieden.**  
*Het uitstekende blad zaagt mogelijk in voorwerpen die een terugslag veroorzaken.*
- d) **De splijtwig dient aan het werkstuk te worden vastgemaakt om goed te kunnen werken.**  
*De splijtwig kan terugslag moeilijk voorkomen tijdens het zagen van korte stukken.*
- e) **Gebruik de zaag niet wanneer de splijtwig krom is.**  
*Zelfs een kleine afwijking kan ervoor zorgen dat beschermkap langzamer sluit.*

#### Onderste beschermingsfunctie

- a) **Controleer voor ieder gebruik of de onderste beveiliging op juiste manier is vergrendeld. Gebruik de zaag niet als de onderste bescherming niet vrij beweegt en onmiddellijk sluit. Klem of bindt de onderste bescherming nooit vast naar de open positie.**  
*Als de zaag onopzettelijk valt, kan de onderste bescherming verbuigen.  
Trek de onderste bescherming omhoog met de terugtrekhandel en zorg ervoor dat deze vrij kan bewegen en het blad of welk ander deel niet raakt, in alle hoeken of snijdiepte.*
- b) **Controleer de werking van de veer van de onderste bescherming. Als de bescherming en de veer niet goed functioneren, dienen deze eerst te worden gerepareerd.**  
*De onderste bescherming werkt niet goed als gevolg van beschadigde onderdelen, gomachtige aanslag of vuilklonters.*
- c) **De onderste bescherming mag alleen handmatig worden teruggetrokken bij speciale sneden zoals rechtstreks in een oppervlak en samengestelde sneden. Trek de onderste bescherming omhoog met behulp van de terugtrekhandel en zodra het blad in het materiaal gaat, dient u de onderste bescherming los te laten.**  
*Bij alle andere zaagbewerkingen, werkt de onderste bescherming automatisch.*
- d) **Let erop dat de onderste bescherming altijd over het blad zit voordat de zaag op een werkbank of de grond wordt gezet.**  
*Bij een onbeschermd blad waarbij de motor niet actief is, gaat de zaag terug en snijdt deze in alles wat in de weg zit.  
Wees u bewust van de tijd die nodig is voordat het blad stopt nadat u de motor hebt gestopt.*

#### Splijtwigfunctie

- a) **Zorg dat u het juiste zaagblad voor de splijtwig gebruikt.**  
*Voor een correcte werking van de splijtwig moet het zaagblad dunner zijn dan de splijtwig en de zaagbreedte van het zaagblad moet breder zijn dan de dikte van de splijtwig.*
- b) **Stel de splijtwig in zoals beschreven in deze gebruiksaanwijzing.**  
*Door de splijtwig verkeerd te positioneren en uit te lijnen kan eventuele terugslag onvoldoende worden voorkomen.*
- c) **Gebruik altijd de splijtwig, behalve bij neergaand zagen.**  
*De splijtwig dient na het neergaand zagen teruggeplaatst te worden. De splijtwig kan hinderend werken bij neergaand zagen en mogelijk voor terugslag zorgen.*

#### VOORZORGSMATREGELEN BETREFFENDE HET GEBRUIK VAN DE CIRKELZAAGMACHINE

1. Gebruik geen zaagbladen die vervormd of verbogen zijn, of waarin barsten en/of scheurtjes zitten.
2. Gebruik geen HSS-zaagbladen (verhard staal).
3. Gebruik geen zaagbladen waarvan de eigenschappen niet overeenkomen met die omschreven in deze instructies.
4. Zorg dat, tijdens het zagen, het zaagblad niet tot stilstand komt door teveel zijwaartse druk.
5. Zorg ervoor dat het zaagblad steeds scherp is.
6. Controleer dat de beschermkap aan de onderkant soepeltjes en vrij kan bewegen.
7. Gebruik de cirkelzaag nooit wanneer de beschermkap aan de onderkant in open positie vergrendelt is.
8. Controleer of het terugspring-mechanisme van de veiligheidskap naar behoren functioneert.
9. Het zaagblad zelf moet dunner zijn dan de splijtwig; maar de breedte van de insnijding, d.w.z. de opening gemaakt door de zaagtanden, moet groter zijn dan de dikte van de splijtwig.
10. De cirkelzaag nooit inzetten met schuinstaand of zijdelings staand zaagblad.
11. Let er steeds op, dat het werkstuk geen vreemde voorwerpen, zoals b.v. spijkers, bevat.
12. Gewoonlijk dient altijd de splijtwig gebruikt te worden, behalve wanneer u begint te zagen in het midden van het werkstuk.
13. Voor de modellen C6U2 en C6BU2 is het toegestane bereik van de zaagbladen van 165 mm tot 162 mm. Voor het modellen C7U2 en C7BU2 is het toegestane bereik van de zaagbladen van 190 mm tot 185 mm.
14. Wees bij modellen C6BU2 en C7BU2 voorzichtig voor terugslag van de rem.  
De modellen C6BU2 en C7BU2 hebben een elektrische rem die functioneert wanneer de schakelaar wordt losgelaten. Er zal wat terugslag zijn wanneer de rem in werking is; houd de cirkelzaag daarom goed vast.
15. Er kunnen soms vonken ontstaan bij het afremmen van de zaag wanneer deze wordt uitgeschakeld, omdat de C6BU2 en de C7BU2 modellen gebruik maken van elektrische remmen. Houd echter in gedachten dat dit niet wijst op een storing aan de machine.
16. Bij modellen C6BU2 en C7BU2: vervang de koolstofborstels door nieuwe indien de rem niet meer effectief werkt.
17. Haal de stekker uit het stopcontact voor u iets gaat instellen, vervangen of onderhouden gaat plegen.

## TECHNISCHE GEGEVENS

Model		C6U2	C6BU2	C7U2	C7BU2
Voltage (verschillend van gebied tot gebied)*		(110 V, 120 V, 127 V, 220 V, 230 V, 240 V) ~			
Zaagdiepte	90°	54 mm		66 mm	
	45°	39 mm		48 mm	
Opgenomen vermogen*		1100 W		1200 W	
Toerental onbelast		5500 min <sup>-1</sup>			
Gewicht (zonder kabel)		3,5 kg		4,0 kg	

\*Kontroleer het naamplaatje op het apparaat daar het apparaat afhankelijk van het gebied waar het verkocht wordt gewijzigd kan worden.

## STANDAARD TOEBEHOREN

- (1) Zaagblad (bevestigd aan het gereedschap) ..... 1  
 ( Diam. 165 mm .... C6U2, C6BU2 )  
 ( Diam. 190 mm .... C7U2, C7BU2 )
  - (2) Steeksleutel ..... 1
  - (3) Parallelgeleider ..... 1
  - (4) Vleugelmoer ..... 1
  - (5) Hefboom (korte type) ..... 1
  - (6) Stofverzamelaar ..... 1
- De standaard toebehoren kunnen zonder aankondiging op ieder moment worden veranderd.

## EXTRA TOEBEHOREN (los te verkrijgen)

- (1) Onderlegschild (A)  
 ..... voor 16 mm (Diameter van gat van zaagblad)  
 ..... voor 30 mm (Diameter van gat van zaagblad)
- (2) Geleiderail adapter (zie **Afb. 13**)

De extra toebehoren kunnen zonder aankondiging op ieder moment worden veranderd.

## TOEPASSINGEN

Het zagen van verschillende houtsoorten.

## VOOR HET BEGIN VAN HET WERK

- 1. Netspanning**  
 Controleren of de netspanning overeenkomt met de opgave op het naamplaatje.
- 2. Netschakelaar**  
 Controleren of de netschakelaar op "UIT" staat. Wanneer de stekker op het net aangesloten is, terwijl de schakelaar op "AAN" staat, begint het gereedschap onmiddellijk te draaien, het welk ernstig gevaar betekent.
- 3. Verlengsnoer**  
 Wanneer het werkterrein niet in de buurt van een stopcontact ligt, dan moet men gebruik maken van een verlengsnoer, dat voldoende dwarsprofiel en voldoende nominaal vermogen heeft. Het verlengsnoer moet zo kort mogelijk gehouden worden.
- 4. Het in gereedheid brengen van een houten werkbank (Afb. 1)**  
 Aangezien het zaagblad boven de onderkant van het zaaghout uitsteekt, legt men bij het zagen het zaaghout op een werkbank. Wanneer men van een houtblok als onderstel gebruik maakt, moet men daarvoor een vlakke ondergrond uitkiezen, zodat het ook werkelijk stabiel is. Een onstabiele ondergrond is gevaarlijk.

## LET OP

Om eventuele ongelukken te vermijden, moet men er steeds op letten, dat het na eht zagen overgebleven gedeelte van het gezaagde hout goed vastligt of op de plaats gehouden wordt.

## INSTELLEN VAN HET GEREEDSCHAP VOOR GEBRUIK

### 1. Instellen van de zaagdiepte

Draai de knop met uw hand los en houd met de andere hand de handgreep vast zoals aangegeven in **Afb. 2**. De zaagdiepte kan nu ingesteld worden door de basisplaat in de gewenste stand te zetten. Als u de juiste zaagdiepte heeft ingesteld, kunt u de knop weer vastdraaien. Draai de knop vervolgens stevig vast.

### 2. Het instellen van de splijtwig

Draai de imbusbout waarmee de splijtwig wordt vastgeklemd los en stel de splijtwig zo af dat de afstand tussen de rand van het zaagblad en de splijtwig niet meer dan 3 mm is en dat de rand van het zaagblad niet verder dan 3 mm uitsteekt voorbij de laagste rand van de splijtwig (**Afb. 3**). Draai de bout vervolgens weer stevig vast.

### 3. Instellen van de hoek voor verstekzagen

Op **Afb. 4 (A)** en **4 (B)** is te zien hoe u het zaagblad ten opzichte van de basisplaat maximaal 45° kunt verdraaien door de vleugelmoer op de schuine plaat en de vleugelbout aan de basis los te draaien. Na het maken van de instellingen dient u te controleren of de vleugelmoer en de vleugelbout stevig vast zijn gedraaid.

### 4. Het instellen van de parallelgeleider (Afb. 5)

De zaagstand kan door het verstellen van de parallelgeleider naar rechts of links na het los draaien van de vleugelmoer verzet worden. De parallelgeleider kan aan de rechter of aan de linker kant van het gereedschap zijn aangebracht.

### 5. Instellen van de geleider

Met de cirkelzaag kunt u de positie van de geleider waar het zaagblad en de voegmarkeerde streep in lijn moeten zijn nauwkeurig afstellen. Bij het verlaten van de fabriek is het lineaire gedeelte van de schaal van de geleider in lijn met de centrale positie van het zaagblad gebracht (**Afb. 6**). Draai de M4-bevestigingsschroef van de geleider los indien u de positie wilt veranderen. Stel de positie als gewenst in.

**6. Het gebruik van de stofverzamelaar**

Bevestig de afzuigslang aan de stofverzamelaar (die met M4- en M5-schroeven aan het apparaat is vastgemaakt) om het zaagsel met behulp van de stofzuiger op te zuigen. Zorg dat u bij het aanbrengen van de stofverzamelaar altijd het korte type hefboom gebruikt (Afb. 12).

**WAARSCHUWING**

Het gebruik van de hefboom die bij levering aan het apparaat is bevestigd, zal leiden tot verbinding van de hefboom met de stofverzamelaar en hindert de werking van de beschermkap aan de onderkant.

**ZAGEN**

- Plaats de basis op het materiaal en breng de voorgemarkeerde streep en het zaagblad in lijn met het geleiderstuk voorschaaal gedeelte aan de voorkant van de basis (Afb. 6).  
Indien de basis niet schuin is, moet u het grote gedeelte als geleiderstuk gebruiken (Afb. 6, Afb. 7 (A)).  
Indien de basis schuin is (45 graden), gebruik dan de kleine voorschaaal als geleiderstuk (Afb. 6, Afb. 7 (B)).
- Er moet op gelet worden, dat de schakelaar op „AAN” staat, voordat het zaagblad met het zaaghout in aanraking komt. De schakelaar wordt ingeschakeld, wanneer de knop ingedrukt wordt en uitgeschakeld, wanneer de knop losgelaten wordt.
- Wanneer de zaag met gelijkmatige snelheid in rechte lijn bewogen wordt, dan is het resultaat optimaal.

**LET OP**

Voordat u met zagen begint dient u de eigenschappen van het materiaal vast te stellen. Als er een kans bestaat dat het betreffende materiaal schadelijke/giftige stoffen afgeeft, zorg er dan voor dat u de stofzak of een geschikt stofafzuigstelsel op de zaag aansluit.

Draag, zo nodig, een stofmasker.

De onderkanten van type CB6U2 en type C7BU2 hebben een beschermende laag PFTE. Zorg dat u niet te hard op het apparaat duwt omdat dit de motor zwaar kan belasten. Met subtiele druk zal het werkstuk makkelijker glijden en kan er met minder kracht worden gezaagd. Wees voorzichtig bij het zagen van hout dat is bedekt met zand of metalen schilfers omdat dit de bescherm laag aan kan tasten.

- Voordat men begint te zagen, moet het zaagblad de volle draaisnelheid bereikt hebben.
- Blijft het zaagblad hangen of het maakt een ongewoon geluid, dan moet de schakelaar onmiddellijk uitgeschakeld worden.
- Het snoer mag nooit in de buurt van het draaiende zaagblad komen.
- Het is zeer gevaarlijk om de cirkelzaag zodanig vast te houden dat het zaagblad naar boven of naar de zijkant wijst. Dit soort gevaarlijke handelingen moeten vermeden worden.
- Draai tijdens zaagwerkzaamheden altijd oogbescherming.
- Wanneer u klaar bent met het werk moet u het stekkertje uit de zaag trekken.

**HET AANBRENGEN EN VERWIJDEREN VAN HET ZAAGBLAD****LET OP**

Als preventieve maatregel tegen ongelukken moet er op gelet worden, dat de schakelaar op „UIT” staat en de stekker uit het stopcontact is.

**1. Verwijderen van het zaagblad**

- Stel, met de basisplaat, de zaag in op zijn maximale zaagdiepte en houd de zaag zoals aangegeven in Afb. 8.
- Druk de borghendel in, vergrendel de as en draai de moer met de zeskantige kop los met de bijgeleverde steeksleutel.
- Door de hendel van het beschermdeksel vast te houden terwijl het beschermdeksel geheel in de zaagbeveiliging is geklapt, kunt u het zaagblad eruit nemen.

**2. Monteren van het zaagblad**

- Verwijder het stof dat zich aan de as en onderlegschijsen opgehoopt heeft.
- Zoals getoond in Afb. 9 moet de kant van de onderlegschijs (A) met een naar voren staand middenstuk met dezelfde diameter als de binnendiameter van het zaagblad en de holle kant van de onderlegschijs (B) aan beide kanten van het zaagblad aangebracht worden.

\* Sluistring (A) is voor 2 typen zaagbladen die een gat met een diameter van 16 mm en 30 mm hebben bijgeleverd. (Bij aankoop van de cirkelzaagmachine is slechts één sluitring (A) bijgeleverd.)

Raadpleeg de plaats waar u de cirkelzaagmachine heeft gekocht indien het gat van het zaagblad een afwijkende diameter heeft en sluitring (A) niet geschikt is.

- Monteer het zaagblad zodanig dat de pijl op het zaagblad in dezelfde richting wijst als de pijl op de zaagbeveiliging.
- Draai de moer met de zeskantige kop waarmee het zaagblad vastgeklemd zit met de hand vast. Druk de borghendel in, vergrendel de as en zet de moer goed vast.

**LET OP**

Na het monteren van het zaagblad dient u nogmaals te controleren of de borghendel stevig is vastgezet in de voorgeschreven stand.

**ONDERHOUD EN INSPECTIE****1. Inspectie van het zaagblad**

Aangezien het perstatievermogen verminderd wordt door een bot zaagblad en hierdoor een mogelijke weigering van de motor veroorzaakt kan worden, moet een bot zaagblad meteen vervangen worden zodra de slijtage vastgesteld wordt.

**2. Inspectie van de bevestigingsschroef**

Alle bevestigingsschroeven worden regelmatig geïnspecteerd en gecontroleerd of zij juist aangedraaid zijn. Wanneer één van de schroeven losraakt, dan moet deze onmiddellijk opnieuw aangedraaid worden. Gebeurt dat niet, dan kan dat tot aanzienlijke gevaren leiden.

### 3. Inspectie van de koolborstels (Afb. 10)

Bij de motor zijn koolborstels gebruikt, die onderhevig zijn aan slijtage. Buitengewoon versleten koolborstels leiden tot problemen bij de motor. Dientengevolge dienen de koolborstels vervangen te worden met borstels die hetzelfde nummer hebben als de afbeelding aantoont, wanneer de koolborstel versleten, of bijna versleten is. Bovendien moeten de koolborstels altijd schoon zijn en zich in vrij de borstelhouders bewegen kunnen.

#### LET OP

- Voor het vervangen van de koolborstels moet u altijd originele Hitachi koolborstels nummer (56) zoals in de afbeelding aangegeven gebruiken.
- Bij de modellen C6BU2 en C7BU2 werkt de rem mogelijk niet wanneer u niet-gespecificeerde koolborstels gebruikt. Vervang de koolstofborstels door nieuwe indien de rem niet meer effectief werkt.

### 4. Het wisselen van de koolborstel

Men demonteert de borsteldeksele met een steeksleutel. Men kan de koolborstel dan gemakkelijk verwijderen.

### 5. Onderhoud van de motor

De motorwikkeling is het „hart“ van het elektrische gereedschap. Er moet daarom bijzonder zorgvuldig op gelet worden, dat de wikkeling niet beschadigd en/of met olie of water bevochtigd wordt.

### 6. Afstellen van de hoek tussen basisplaat en zaagblad:

Bij het verlaten van de fabriek is deze hoek optimaal afgesteld op 90°. Ga op de volgende wijze te werk als deze hoek opnieuw dient te worden afgesteld:

- (1) Draai de machine zodat de basisplaat naar boven is gericht (**Afb. 11**) en draai de vleugelmoer en vleugelbout los (**Afb. 4 (A)**, **Afb. 4 (B)**).
- (2) Druk een winkelhaak tegen de basisplaat en het zaagblad en verdraai de koploze schroef met een schroevendraaier voor het verschuiven van de basisplaat. Stel zodanig af dat de basisplaat en het zaagblad recht op elkaar staan.

### 7. Lijst vervangingsonderdelen

- A: Ond.nr.
- B: Codenr.
- C: Gebr.nr.
- D: Opm.

#### LET OP

Reparatie, modificatie en inspectie van Hitachi elektrisch gereedschap dient te worden uitgevoerd door een erkend Hitachi Service-centrum.

Deze Onderdelenlijst komt van pas wanneer u deze samen met het gereedschap aanbiedt bij het erkende Hitachi Service-centrum wanneer u om reparatie of ander onderhoud verzoekt.

Bij gebruik en onderhoud van elektrisch gereedschap dienen de in het land waar u zich bevindt geldende veiligheidsregelgeving en veiligheidsstandaarden strikt te worden opgevolgd.

#### MODIFICATIES

Hitachi elektrisch gereedschap wordt voortdurend verbeterd en gewijzigd teneinde gebruik te kunnen maken van de nieuwste technische ontwikkelingen. Daarom is mogelijk dat sommige onderdelen (zoals codenummers en/of ontwerp) zonder voorafgaande kennisgeving gewijzigd worden.

---

## GARANTIE

---

De garantie op het elektrisch gereedschap van Hitachi is in overeenstemming met de wettelijke/landspecifieke richtlijnen. Deze garantie dekt geen defecten of schade als gevolg van foutief gebruik, misbruik of normale slijtage. In geval van klachten verzoeken wij u het elektrisch gereedschap samen met het GARANTIECERTIFICAAT dat u achterin deze handleiding aantreft naar een erkend servicecentrum van Hitachi te sturen. Indien door de gebruiker de machine wordt gedemonteerd vervalt de aanspraak op garantie.

---

## AANTEKENING

---

Op grond van het voortdurende research-en ontwikkelingsprogramma van HITACHI zijn veranderingen van de hierin genoemde technische opgaven voorbehouden.

---

## Informatie betreffende luchtgeluid en trillingen

De gemeten waarden zijn verkregen overeenkomstig EN60745 en voldoen aan de eisen van ISO 4871.

Het standaard A-gewogen geluiddrukknivo: 101 dB (A)

Het doorsnee A-gewogen geluiddrukknivo: 90 dB (A)

Onzekerheid KpA: 3 dB (A)

Draag gehoorbescherming.

Totale trillingswaarden (triax vector som) bepaald overeenkomstig EN60745.

Spaanplaat zagen:

Trillingsemissiewaarde  $a_{rh} = 2,7 \text{ m/s}^2$

Onzekerheid K =  $1,5 \text{ m/s}^2$

---

De totale bepaalde trillingswaarde is gemeten in overeenstemming met een standaardtestmethode en is bruikbaar om meerdere gereedschappen met elkaar te vergelijken.

U kunt dit ook als beoordeling vooraf aan de blootstelling gebruiken.

## WAARSCHUWING

- De trillingsemissiewaarde tijdens het feitelijke gebruik van het elektrisch gereedschap kan afwijken van de opgegeven totale waarde afhankelijk van de manieren waarop het gereedschap wordt gebruikt.
- Neem kennis van de veiligheidsmaatregelen voor de bescherming van de gebruiker die gebaseerd zijn op een schatting van blootstelling onder feitelijke gebruiksomstandigheden (rekening houdend met alle onderdelen van de gebruikscyclus, zoals de tijd dat het gereedschap is uitgeschakeld en wanneer dit onbelast draait inclusief de triggertijd).

## ADVERTENCIAS DE SEGURIDAD GENERAL DE LA HERRAMIENTA ELÉCTRICA

### ⚠ ADVERTENCIA

Lea todas las instrucciones y advertencias de seguridad. Si no se siguen las advertencias e instrucciones, podría producirse una descarga eléctrica, un incendio y/o daños graves.

Guarde todas las advertencias e instrucciones para futura referencia.

El término "herramienta eléctrica" en las advertencias hace referencia a la herramienta eléctrica que funciona con la red de suministro (con cable) o a la herramienta eléctrica que funciona con pilas (sin cable).

#### 1) Seguridad del área de trabajo

- Mantenga la zona de trabajo limpia y bien iluminada.**  
*Las zonas desordenadas u oscuras pueden provocar accidentes.*
- No utilice las herramientas eléctricas en entornos explosivos como, por ejemplo, en presencia de líquidos inflamables, gases o polvo.**  
*Las herramientas eléctricas crean chispas que pueden inflamar el polvo o los humos.*
- Mantenga a los niños y transeúntes alejados cuando utilice una herramienta eléctrica.**  
*Las distracciones pueden hacer que pierda el control.*

#### 2) Seguridad eléctrica

- Los enchufes de las herramientas eléctricas tienen que ser adecuados a la toma de corriente. No modifique el enchufe. No utilice enchufes adaptadores con herramientas eléctricas conectadas a tierra.**  
*Si no se modifican los enchufes y se utilizan tomas de corriente adecuadas se reducirá el riesgo de descarga eléctrica.*
- Evite el contacto corporal con superficies conectadas a tierra como tuberías, radiadores y frigoríficos.**  
*Hay mayor riesgo de descarga eléctrica si su cuerpo está en contacto con el suelo.*
- No exponga las herramientas eléctricas a la lluvia o a la humedad.**  
*La entrada de agua en una herramienta eléctrica aumentará el riesgo de descarga eléctrica.*
- No utilice el cable incorrectamente. No utilice el cable para transportar, tirar de la herramienta eléctrica o desenchufarla.**  
**Mantenga el cable alejado del calor, del aceite, de bordes afilados o piezas móviles.**  
*Los cables dañados o enredados aumentan el riesgo de descarga eléctrica.*
- Cuando utilice una herramienta eléctrica al aire libre, utilice un cable prolongador adecuado para utilizarse al aire libre.**  
*La utilización de un cable adecuado para usarse al aire libre reduce el riesgo de descarga eléctrica.*
- Si no se puede evitar el uso de una herramienta eléctrica en un lugar húmedo, utilice un suministro protegido mediante un dispositivo de corriente residual (RCD).**  
*El uso de un RCD reduce el riesgo de descarga eléctrica.*

#### 3) Seguridad personal

- Esté atento, preste atención a lo que hace y utilice el sentido común cuando utilice una herramienta eléctrica. No utilice una herramienta eléctrica cuando esté cansado o esté bajo la influencia de drogas, alcohol o medicación.**

*La distracción momentánea cuando utiliza herramientas eléctricas puede dar lugar a importantes daños personales.*

- Utilice un equipo de protección. Utilice siempre una protección ocular.**

*El equipo de protección como máscara para el polvo, zapatos de seguridad antideslizantes, casco o protección para oídos utilizado para condiciones adecuadas reducirá los daños personales.*

- Evite un inicio involuntario. Asegúrese de que el interruptor está en "off" antes de conectar la herramienta a una fuente de alimentación y/o batería, cogérlo o transportarla.**

*El transporte de herramientas eléctricas con el dedo en el interruptor o el encendido de herramientas eléctricas con el interruptor encendido puede provocar accidentes.*

- Retire las llaves de ajuste antes de encender la herramienta eléctrica.**

*Si se deja una llave en una pieza giratoria de la herramienta eléctrica podrían producirse daños personales.*

- No se extralimite. Mantenga un equilibrio adecuado en todo momento.**

*Esto permite un mayor control de la herramienta eléctrica en situaciones inesperadas.*

- Vístase adecuadamente. No lleve prendas sueltas o joyas. Mantenga el pelo, la ropa y los guantes alejados de las piezas móviles.**

*La ropa suelta, las joyas y el pelo largo pueden pillarse en las piezas móviles.*

- Si se proporcionan dispositivos para la conexión de extracción de polvo e instalaciones de recogida, asegúrese de que están conectados y se utilizan adecuadamente.**

*La utilización de un sistema de recogida de polvo puede reducir los riesgos relacionados con el polvo.*

#### 4) Utilización y mantenimiento de las herramientas eléctricas

- No fuerce la herramienta eléctrica. Utilice la herramienta eléctrica correcta para su aplicación.**

*La herramienta eléctrica correcta trabajará mejor y de forma más segura si se utiliza a la velocidad para la que fue diseñada.*

- No utilice la herramienta eléctrica si el interruptor no la enciende y apaga.**

*Las herramientas eléctricas que no pueden controlarse con el interruptor son peligrosas y deben repararse.*

- Desconecte el enchufe de la fuente eléctrica y/o la batería de la herramienta eléctrica antes de hacer ajustes, cambiar accesorios o almacenar herramientas eléctricas.**

*Estas medidas de seguridad preventivas reducen el riesgo de que la herramienta eléctrica se ponga en marcha accidentalmente.*

- Guarde las herramientas eléctricas que no se utilicen para que no las cojan los niños y no permita que utilicen las herramientas eléctricas personas no familiarizadas con las mismas o con estas instrucciones.**

*Las herramientas eléctricas son peligrosas si son utilizadas por usuarios sin formación.*

- Mantenimiento de las herramientas eléctricas. Compruebe si las piezas móviles están mal alineadas o unidas, si hay alguna pieza rota u otra condición que pudiera afectar al funcionamiento de las herramientas eléctricas.**

*Si la herramienta eléctrica está dañada, llévela a reparar antes de utilizarla.*

*Se producen muchos accidentes por no realizar un mantenimiento correcto de las herramientas eléctricas.*

- f) **Mantenga las herramientas de corte afiladas y limpias.**  
*Las herramientas de corte correctamente mantenidas con los bordes de corte afilados son más fáciles de controlar.*
- g) **Utilice la herramienta eléctrica, los accesorios y las brocas de la herramienta, etc. de acuerdo con estas instrucciones, teniendo en cuenta las condiciones laborales y el trabajo que se va a realizar.**  
*La utilización de la herramienta eléctrica para operaciones diferentes a aquellas pretendidas podría dar lugar a una situación peligrosa.*

## 5) Revisión

- a) **Lleve su herramienta a que la revise un experto cualificado que utilice sólo piezas de repuesto idénticas.**  
*Esto garantizará el mantenimiento de la seguridad de la herramienta eléctrica.*

## PRECAUCIÓN

Mantenga a los niños y a las personas enfermas alejadas. Cuando no se utilicen, las herramientas deben almacenarse fuera del alcance de los niños y de las personas enfermas.

## ADVERTENCIAS DE SEGURIDAD DE LA SIERRA CIRCULAR

### Procedimientos de corte

- a) **⚠ PELIGRO: Mantenga las manos alejadas del área de corte y de la hoja. Mantenga la otra mano en el mango auxiliar o en la cubierta del motor.**  
*Si sujeta la sierra con las dos manos, no se cortará con la hoja.*
- b) **No se coloque debajo de la pieza de trabajo.**  
*El protector no puede protegerle de la hoja debajo de la pieza de trabajo.*
- c) **Ajuste la profundidad de corte al grosor de la pieza de trabajo.**  
*Debajo de la pieza de trabajo sólo debe quedar visible menos de un diente completo de la hoja.*
- d) **No sujete nunca la pieza que está cortando con las manos o sobre una pierna. Fije la pieza de trabajo a una plataforma estable.**  
*Es importante que apoye la pieza de trabajo de forma adecuada para evitar que su cuerpo quede expuesto a la sierra, que la hoja se quede atascada o que se pierda el control.*
- e) **Sostenga la herramienta eléctrica únicamente por las superficies de agarre aisladas cuando realice una operación en la que la herramienta eléctrica pueda entrar en contacto con el cableado oculto o su propio cable de alimentación.**  
*Entrar en contacto con un cable "vivo" también provocará que las partes metálicas expuestas de la herramienta eléctrica estén "vivas" y podría originar una descarga eléctrica al operario.*
- f) **Cuando realice un corte al hilo, utilice siempre un tope-guía o una guía de borde recto.**  
*Esto mejorará la precisión del corte y reducirá las posibilidades de que se atasque la hoja.*
- g) **Utilice siempre hojas con orificios de árbol con el tamaño y la forma correctos (rombo frente a círculo).**  
*Las hojas que no coincidan con los componentes de montaje de la sierra no funcionarán correctamente y pueden provocar una pérdida de control.*

- h) **No utilice nunca arandelas o pernos de hoja dañados o inadecuados.**

*Las arandelas y los pernos de la hoja han sido diseñados especialmente para dicha hoja, con el fin de garantizar un rendimiento y seguridad óptimos.*

### Causas de rebote y advertencias afines

- el retroceso es una reacción repentina de la sierra cuando la hoja se engancha, se atasca o está mal alineada, lo cual provoca la pérdida de control de la sierra, que se elevará y se saldrá de la pieza de trabajo hacia el operador;
- cuando la hoja se engancha o se atasca por el cierre de la vía, la hoja se detiene y la reacción del motor hace que la unidad retroceda rápidamente hacia el operador;
- si la hoja se tuerce o pierde la alineación durante el corte, los dientes del borde posterior de la hoja pueden clavarse en la superficie superior de la madera y hacer que la hoja se salga de la vía y vuelva hacia el operador.

El retroceso es el resultado de un mal uso de la sierra y/o unos procedimientos o condiciones de funcionamiento incorrectos y se puede evitar tomando las precauciones adecuadas que se indican a continuación.

- a) **Sujete la sierra firmemente con las dos manos y coloque los brazos de tal forma que resistan las fuerzas de retroceso. Coloque el cuerpo a uno de los lados de la hoja, no en línea con ésta.**  
*El retroceso podría hacer que la sierra salte hacia atrás, pero las fuerzas de retroceso pueden ser controladas por el operador, si se toman las precauciones adecuadas.*
- b) **Cuando se atasca la hoja o se interrumpe el corte por cualquier razón, libere el interruptor de activación y mantenga la sierra sin moverla en el material hasta que ésta se detenga por completo.**  
**No intente extraer la sierra de la pieza de trabajo ni tire de ella hacia atrás mientras la hoja está en movimiento, ya que puede producirse un retroceso.**  
*Investigue y tome las medidas adecuadas para eliminar la causa del atascamiento de la hoja.*
- c) **Cuando vuelva a poner en marcha la sierra en la pieza de trabajo, centre la hoja de la sierra en la vía y compruebe que los dientes no están enganchados en el material.**  
*Si la hoja de la sierra está atascada, ésta puede saltar o retroceder de la pieza de trabajo al poner en marcha la sierra.*
- d) **Utilice soportes adecuados para apoyar los paneles grandes, con el fin de minimizar el riesgo de que la hoja se enganche o se produzca un retroceso.**  
*Los paneles grandes tienden a combarse por su propio peso. Se deben colocar soportes bajo el panel en ambos lados, cerca de la línea de corte y cerca del borde del panel.*
- e) **No utilice hojas melladas o dañadas.**  
*Las hojas no afiladas o mal ajustadas hacen que una vía estrecha provoque una fricción excesiva, que se atasque la hoja y que se produzca un retroceso.*
- f) **La profundidad de la hoja y las palancas de bloqueo del ajuste del bisel deben estar bien fijadas antes de realizar el corte.**  
*Si el ajuste de la hoja cambia durante el corte, se puede producir un atasco de la hoja o un retroceso.*

- g) **Emplee una precaución extrema al serrar en muros existentes u otros puntos ciegos.**

*La hoja que sobresale puede cortar objetos y provocar un retroceso.*

#### **Función de la protección inferior**

- a) **Compruebe que el protector inferior se cierra correctamente antes de cada uso. No utilice la sierra si el protector inferior no se mueve libremente o se cierra de forma instantánea. No sujete ni ate el protector inferior en la posición de apertura.**

*Si la sierra se cae de forma accidental, el protector inferior se puede doblar.*

*Levante el protector inferior con el mango retráctil y asegúrese de que se mueve libremente y no toca la hoja ni ninguna otra pieza, en todos los ángulos y profundidades de corte.*

- b) **Compruebe el funcionamiento del resorte del protector inferior. Si el protector y el resorte no funcionan correctamente, deben ser reparados antes de usar la sierra.**

*El protector inferior puede funcionar lentamente porque hay alguna pieza dañada, hay restos de pegamento o existe una acumulación de residuos.*

- c) **La protección inferior puede replegarse manualmente sólo para cortes especiales tales como "cortes por penetración" y "cortes compuestos". Levante el protector inferior retrayendo el mango y libere el protector inferior en cuanto la hoja entre en contacto con el material.**

*Para el resto de cortes, el protector debería funcionar automáticamente.*

- d) **Compruebe siempre que el protector inferior cubre la hoja antes de colocar la sierra sobre un banco o sobre el suelo.**

*El deslizamiento de la hoja sin protección puede hacer que la sierra se desplace hacia atrás y corte lo que encuentre a su paso.*

*Tenga en cuenta el tiempo que tarda la hoja en detenerse después de accionar el interruptor.*

#### **Función de la cuchilla**

- a) **Utilice la hoja de sierra apropiada para la cuchilla.**

*Para que la cuchilla funcione, el cuerpo de la hoja deberá ser más delgada que la cuchilla y la anchura del corte de la hoja deberá ser más ancha que el espesor de la cuchilla.*

- b) **Ajuste la cuchilla hendidora como se describe en este manual de instrucciones.**

*La colocación y la alineación con un espaciado incorrecto puede hacer que la cuchilla hendidora no evite bien el retroceso.*

- c) **Utilice siempre la cuchilla hendidora salvo cuando corte en forma inclinada.**

*La cuchilla hendidora debe sustituirse después del corte en forma inclinada. La cuchilla hendidora interfiere durante el corte en forma inclinada y puede crear un retroceso.*

- d) **Para que funcione la cuchilla hendidora, debe ajustarse a la pieza de trabajo.**

*La cuchilla hendidora es inefectiva en la prevención de retroceso durante cortes cortos.*

- e) **No utilice la sierra si la cuchilla hendidora está torcida.**

*Incluso una ligera interferencia puede ralentizar la rapidez de cierre de la protección.*

## **PRECAUCIONES AL UTILIZAR LA SIERRA CIRCULAR**

- No utilice cuchillas deformadas o rajadas.
- No emplee cuchillas de acero de alta velocidad.
- No emplee cuchillas que no estén de acuerdo con las características especificadas en estas instrucciones.
- No pare las cuchillas de sierra mediante presión lateral sobre el disco.
- Mantener siempre las cuchillas afiladas.
- Asegúrese de que la protección inferior se mueve de una forma ligera y libre.
- No utilice nunca la sierra circular con su protección inferior fijada en la posición abierta.
- Cerciórese de que todos los mecanismos de retracción del sistema de protección funcionen correctamente.
- Las cuchillas de sierra deberán ser más finas que la cuchilla hendidora y la anchura de corte (con el juego de dientes) deberá ser superior al grosor de la cuchilla hendidora.
- Nunca accionar la sierra circular con la cuchilla vuelta hacia arriba o hacia un lado.
- Asegurarse de que la pieza de trabajo esté libre de cuerpos extraños tales como clavos.
- La cuchilla hendidora deberá emplearse siempre excepto para realizar un corte en medio de la pieza de trabajo.
- Para los modelos C6U2 y C6BU2, el rango de las cuchillas de sierra debe ser de 165 mm a 162 mm. Para los modelos C7U2 y C7BU2, el rango de las cuchillas de sierra debe ser de 190 mm a 185 mm.
- Para los modelos C6BU2 y C7BU2, tenga cuidado con el retroceso del freno. Los modelos C6BU2 y C7BU2 cuentan con un freno eléctrico que funciona cuando se suelta el interruptor. Como se produce un retroceso cuando se ejecuta el freno, asegúrese de mantener firmemente el cuerpo principal.
- Es posible que a veces aparezcan chispas causada por la operación de frenado cuando se ponga en OFF el interruptor, porque los modelos C6BU2 y C7BU2 emplean frenos eléctricos. Sin embargo, tenga en cuenta que este fenómeno no significa mal funcionamiento de la máquina.
- Para los modelos C6BU2 y C7BU2, cuando el freno sea inefectivo, sustituya las escobillas de carbón por otras nuevas.
- Antes de realizar cualquier ajuste, operación de mantenimiento, o reparación, desconecte el enchufe del tomacorriente.

## ESPECIFICACIONES

Modelo		C6U2	C6BU2	C7U2	C7BU2
Voltaje (por áreas)*		(110 V, 120 V, 127 V, 220 V, 230 V, 240 V) ~			
Profundidad de corte	90°	54 mm		66 mm	
	45°	39 mm		48 mm	
Acometida*		1100 W		1200 W	
Velocidad de marcha en vacío		5500 min <sup>-1</sup>			
Peso (sin cable)		3,5 kg		4,0 kg	

\*Verificar indefectiblemente los datos de la placa de características de la máquina, pues varían de acuerdo al país de destino.

## ACCESORIOS NORMALES

- (1) Cuchilla de sierra (montada en la herramienta) .. 1  
     (Diá. 165 mm ... C6U2, C6BU2)  
     (Diá. 190 mm ... C7U2, C7BU2)
  - (2) Llave de barra hexagonal ..... 1
  - (3) Guía ..... 1
  - (4) Perno de mariposa ..... 1
  - (5) Palanca (tipo corto) ..... 1
  - (6) Colector de polvo ..... 1
- Los accesorios normales están sujetos a cambio sin previo aviso.

## ACCESORIOS FACULTATIVOS (de venta por separado)

- (1) Arandela (A)  
     ..... para 16 mm (Diá. del orificio interior de la cuchilla de sierra)  
     ..... para 30 mm (Diá. del orificio interior de la cuchilla de sierra)
- (2) Adaptador para carril de guía (consulte la Fig. 13)

Los accesorios de facultativos están sujetos a cambio sin previo aviso.

## APLICACIONES

Cortar diversos tipos de madera.

## ANTES DE LA PUESTA EN MARCHA

- 1. Alimentación**  
Asegurarse de que la alimentación de red que ha de ser utilizada responda a las exigencias de corriente especificadas en la placa de características del producto.
- 2. Conmutador de alimentación**  
Asegurarse de que el conmutador de alimentación esté en la posición OFF (desconectado). Si la clavija está conectada en la caja del enchufe mientras el conmutador de alimentación esté en posición ON (conectado) las herramientas eléctricas empezarán a trabajar inmediatamente, provocando un serio accidente.
- 3. Cable de prolongación**  
Cuando está alejada el área de trabajo de la red de alimentación, usar un cable de prolongación de un grosor y potencia nominal suficiente. El cable de prolongación debe ser mantenido lo más corto posible.

## 4. Preparar un banco de trabajo de madera (Fig. 1)

Como la cuchilla sobresale debajo de la superficie inferior de la madera útil, situar la madera útil encima de un banco de trabajo al cortar. Si se usa un bloque cuadrado como banco de trabajo, seleccionar un fondo liso para asegurar que sea estable. Un banco de trabajo inestable tendrá como resultado una operación peligrosa.

## PRECAUCION

Para evitar posibles accidentes, asegurarse siempre de que la parte de la madera útil restante después de haberla cortado, quede sujetado firmemente y mantenido en su posición.

## AJUSTE ANTES DE CORTAR

- 1. Ajuste de la profundidad de corte**  
Aflojar la perilla con una mano al mismo tiempo que sujeta el mango con la otra, de la forma mostrada en la Fig. 2. La profundidad de corte podrá ajustarse moviendo la base hasta la posición deseada. Ajustar la profundidad de corte y apretar firmemente la perilla.
- 2. Ajustar la cuchilla partidora**  
Afloje el perno de cabeza hexagonal utilizado para agarrar la cuchilla hendidora, ajuste la cuchilla hendidora de forma que la distancia entre la cuchilla hendidora y el borde de la cuchilla no sea de más de 3 mm y el borde de la cuchilla no se extienda más de 3 mm del borde inferior de la cuchilla hendidora (Fig. 3) y vuelva a apretar el perno con firmeza.
- 3. Ajuste del ángulo de inclinación**  
Tal y como se muestra en la Fig. 4 (A), Fig. 4 (B) al aflojar el tornillo de mariposa en el calibre de inclinación y el perno de mariposa en la base, la cuchilla de la sierra puede inclinarse hasta un ángulo máximo de 45° en relación con la base. Una vez realizado el ajuste, vuelva a confirmar que el tornillo de mariposa y el perno de mariposa están bien ajustados.
- 4. Para regular la guía (Fig. 5)**  
La posición de corte puede ser regulada moviendo la guía a la izquierda o a la derecha después de afojar su pasador de palomilla. La guía puede ser montada en el lado derecho o izquierdo del aparato.
- 5. Ajuste de la pieza guía**  
En la sierra circular usted podrá ajustar con precisión la posición de fijación de la pieza guía, donde haya que alinear la cuchilla de sierra y la línea previamente marcada.



Cuando la sierra sale de fábrica, la parte lineal de una escala frontal de la pieza guía está alineada con la posición central de la cuchilla de sierra. (Fig. 6) Loosen the fixed M4 screw on the guide piece, should the fixing position be wrong, and make necessary adjustment of the position.

#### 6. Utilización de un colector de polvo

Para utilizar una aspiradora para recoger el polvo de serrado, coloque la manguera de aspiración en el colector de polvo fijado a la unidad principal mediante tornillos M4 y M5. Cuando coloque el colector de polvo, asegúrese siempre de cambiar la palanca al tipo corto en el mismo momento (Fig. 12).

#### PRECAUCIÓN

La utilización continua de la palanca fijada a la unidad principal antes del envío de fábrica hará que se una al colector de polvo e interferirá con la operación de la protección inferior.

### PROCEDIMIENTO DE CORTE

1. Coloque la base sobre el material, y después alinee la línea previamente marcada y la cuchilla de sierra con la sección de la escala frontal de la pieza guía de la parte frontal de la base (Fig. 6). Cuando la base no esté inclinada, utilice un corte larga como guía (Fig. 6, Fig. 7 (A)). Si la base está inclinada (45 grados), utilice la escala frontal pequeño como guía (Fig. 6, Fig. 7 (B)).
2. Asegurarse de que el conmutador esté girado a la posición ON (conectado) antes de que la cuchilla entre en contacto con la madera útil. Cuando el conmutador se aprieta está puesto en ON (conectado) y cuando se vuelve a apretar queda en OFF (desconectado) el pulsador está soltado.
3. Cuando la sierra se mueva todo a la derecha con una velocidad constante producirá un corte efectivo.

#### PRECAUCIONES

Antes de proceder a la operación de corte, verifique el material que va a cortar. Si el material que se va a cortar puede general polvo tóxico o dañino, asegúrese de que la bolsa del polvo o el sistema de extracción de polvo apropiado está conectado a la salida de polvo correctamente.

Póngase la máscara para el polvo.

Se aplica una capa de PTFE a las bases del tipo C6BU2 y tipo C7BU2. Tenga cuidado con no presionar demasiado fuerte en el cuerpo de la unidad, ya que tiende a colocar una fuerte carga en el motor. Una ligera presión hará que la pieza se deslice con mayor facilidad y permita cortar con menos fuerza. Si se intenta cortar madera cubierta con material de partículas duras como arena o metal se tiende a arañar fácilmente la capa de la superficie, por lo que debe tener cuidado.

- Antes de empezar a serrar, asegurarse de que la cuchilla haya alcanzado la plena velocidad de giro.
- En caso de que la cuchilla se parara o hiciera un ruido anormal durante la operación, desconectar el conmutador inmediatamente.
- Siempre prestar atención para evitar que el cable se acerque a la cuchilla que gira.
- Es muy peligroso utilizar la sierra circular con la hoja apuntando hacia arriba o de lado. Evite estas posiciones en la medida de lo posible.
- Al cortar material, utilice siempre gafas protectoras.
- Cuando termine de trabajar, desenchufe el cable de la toma de pared.

### MONTAR Y DESMONTAR LA CUCHILLA

#### PRECAUCIÓN

Para evitar accidentes graves asegurarse de que el conmutador está la posición OFF (desconectado) y la acometida de red también esté desconectada.

#### 1. Desmontaje de la cuchilla

- (1) Poner el volumen de corte al máximo y situar la sierra circular como se muestra en Fig. 8.
- (2) Suelte la palanca de bloqueo, bloquee el husillo y extraiga el perno de cabeza hexagonal con la llave de barra hexagonal.
- (3) Mientras sujeta la palanca de protección inferior para mantener la protección inferior completamente retractada en la tapa de la sierra, extraiga la cuchilla de la sierra.

#### 2. Colocación de la cuchilla

- (1) Limpiar el polvo del husillo, perno y aandelas.
- (2) Como muestrala Fig. 9, el lado de la arandela (A) con un control sobresaliente del mismo diámetro que el diámetro interior de la cuchilla de sierra y el lado cóncavo de arandela (B), tienen que ser montados a los lados de la cuchilla de sierra.

\* La arandela (A) se suministra para 2 tipos de cuchillas de sierra de orificios útiles de 16 y 30 mm.

(Cuando compre una sierra circular, se le suministrará un tipo de arandela (A).)

En caso de que el orificio interior de su chchilla de sierra no corresponda con el de la arandela (A), póngase en contacto con el establecimiento en el que haya adquirido la sierra circular.

- (3) Montar la cuchilla de forma que la flecha marcada quede alineada con la flecha de la cubierta.
- (4) Con los dedos, apriete el perno de cabeza hexagonal que sujeta la cuchilla de la sierra lo máximo posible. Suelte la palanca de bloqueo, bloquee el husillo y apriete el perno completamente.

#### PRECAUCIÓN

Después de haber instalado la cuchilla de sierra, vuelva a confirmar que la palanca de cierre esté firmemente asegurada en la posición indicada.

### MANTENIMIENTO E INSPECCIÓN

#### 1. Inspeccionar la cuchilla

Como el uso de una cuchilla desgastada disminuye la eficiencia y origina posible funcionamiento defectuoso del motor, afilar o reemplazar la cuchilla tan pronto como se note el desgaste.

#### 2. Inspeccionar los tornillos de montaje

Regularmente inspeccionar todos los tornillos de montaje y asegurarse de que estén apretados firmemente. Si cualquier tornillo estuviera suelto, volver a apretarlo inmediatamente. El no hacer esto provocaría un riesgo serio.

#### 3. Inspección de escobillas de carbón: (Fig. 10)

El motor emplea carbones de contacto que son partes consumibles. Como un carbón de contacto excesivamente desgastado podría dar problemas al motor, reemplazar el carbón de contacto por uno nuevo, que tenga el mismo número mostrado en la figura, cuando se haya desgastado o esté cerca del límite de uso. Adicionalmente, mantener siempre los carbones de contacto limpios y asegurarse de que corran libremente dentro de los sujetadores de carbón.

## PRECAUCIÓN

- Para reemplazar las escobillas, utilice siempre otras genivinas de Hitachi con el número (56) especificado en el dibujo.
- Para el modelo C6BU2 y C7BU2, el freno puede que no funcione si se utilizan escobillas de carbón diferentes a las indicadas.  
Cuando el freno no funcione, reemplace las escobillas por otras nuevas.

### 4. Reemplazar el carbón de contacto

Quitar la cápsula de carbón con un destornillador con cabeza pequeña. El carbón de contacto se deja luego se quita fácilmente.

### 5. Mantenimiento de motor

La unidad de bobinado del motor es el verdadero "corazón" de las herramientas eléctricas. Prestar el mayor cuidado a asegurarse de que el bobinado no se dañe y/o se humedezca con aceite o agua.

### 6. Ajuste de la perpendicularidad entre la base y la cuchilla

El ángulo entre la cuchilla y la base, está ajustado originalmente de forma que se mantenga a 90°, pero si se pierde tal ajuste, ajustarlo de la forma siguiente:

- (1) Gire la base hacia arriba (**Fig. 11**) y afloje el tornillo de mariposa y el perno de mariposa (**Fig. 4 (A), Fig. 4 (B)**).
  - (2) Cuando aplique una escuadra a la base y apoyándola sobre la cuchilla, girar el tornillo sin cabeza con un destornillador (-) para despazar la base, y ajustar la base y la cuchilla de forma que queden en ángulo recto entre sí.
- ### 7. Lista de repuestos
- A: N°. ítem  
B: N°. código  
C: N°. usado  
D: Observaciones

## PRECAUCIÓN

La reparación, modificación e inspección de las herramientas eléctricas Hitachi deben ser realizadas por un Centro de Servicio Autorizado de Hitachi. Esta lista de repuestos será de utilidad si es presentada junto con la herramienta al Centro de Servicio Autorizado de Hitachi, para solicitar la reparación o cualquier otro tipo de mantenimiento. En el manejo y el mantenimiento de las herramientas eléctricas, se deberán observar las normas y reglamentos vigentes en cada país.

## MODIFICACIONES

Hitachi Power Tools introduce constantemente mejoras y modificaciones para incorporar los últimos avances tecnológicos.

Por consiguiente, algunas partes (por ejemplo, números de códigos y/o diseño) pueden ser modificadas sin previo aviso.

## GARANTÍA

Las herramientas motorizadas de Hitachi incluye una garantía conforme al reglamento específico legal/nacional. Esta garantía no cubre los defectos o daños debidos al uso incorrecto, el abuso o el desgaste normal. En caso de reclamación, envíe la herramienta motorizada, sin desmontar y con el CERTIFICADO DE GARANTÍA que aparece al final de estas instrucciones de uso, al Centro de Servicio Autorizado de Hitachi.

## OBSERVACIÓN

Debido al programa continuo de investigación y desarrollo de HITACHI estas especificaciones están sujetas a cambio sin previo aviso.

## Información sobre el ruido propagado por el aire y vibración

Los valores medidos se determinaron de acuerdo con EN60745 declararon de conformidad con ISO 4871.

Het standaard A-gewogen geluidruknivo: 101 dB (A)  
Het doorsnee A-gewogen geluidruknivo: 90 dB (A)  
Duda KpA: 3 dB (A)

Utilice protecciones auriculares.

Valores totales de la vibración (suma de vectores triax.) determinados de acuerdo con EN60745.

Cortar aglomerado:

Valor de emisión de la vibración **a<sub>h</sub>** = 2,7 m/s<sup>2</sup>

Incertidumbre K = 1,5 m/s<sup>2</sup>

El valor total de vibración declarado ha sido medido de acuerdo con un método de prueba estándar y permite comparar unas herramientas con otras.

También resulta útil para llevar a cabo evaluaciones preliminares de exposición.

## ADVERTENCIA

- La emisión de vibración durante la utilización de la herramienta eléctrica puede ser diferente del valor total declarado dependiendo de las formas de utilización de la herramienta.
- Identifique las medidas seguras para proteger al operario basadas en una estimación de exposición en las condiciones reales de uso (teniendo en cuenta todas las partes del ciclo de funcionamiento como tiempos cuando la herramienta está apagada y cuando funciona lentamente además del tiempo de activación).

## AVISOS GERAIS DE SEGURANÇA PARA A FERRAMENTA ELÉCTRICA

### ⚠ AVISO

Leia todas as instruções e avisos de segurança.

Se não seguir todas as instruções e os avisos, pode provocar um choque eléctrico, incêndio e/ou ferimentos graves.

Guarde todos os avisos e instruções para referência futura. O termo "ferramenta eléctrica" em todos os avisos refere-se à sua ferramenta ligada à corrente (com fios) ou à ferramenta eléctrica a baterias (sem fios).

#### 1) Segurança da área de trabalho

- Mantenha a área de trabalho limpa e bem iluminada.**  
*As áreas escuras ou cheias de material são propícias aos acidentes.*
- Não trabalhe com ferramentas eléctricas em ambientes explosivos, tais como na presença de líquidos inflamáveis, gases ou pó.**  
*As ferramentas eléctricas criam faíscas que podem inflamar o pó dos fumos.*
- Mantenha as crianças e outras pessoas afastadas quando trabalhar com uma ferramenta eléctrica.**  
*As distrações podem fazer com que perca controlo.*

#### 2) Segurança eléctrica

- As fichas da ferramenta eléctrica devem corresponder às tomadas. Nunca modifique a ficha. Não utilize fichas adaptadoras com ferramentas eléctricas ligadas à terra.**  
*As fichas não modificadas e tomadas correspondentes reduzirão o risco de choques eléctricos.*
- Evite contacto corporal com superfícies ligadas à terra, tais como tubos, radiadores, máquinas e frigoríficos.**  
*Existe um risco acrescido de choque eléctrico se o seu corpo estiver ligado à terra.*
- Não exponha ferramentas eléctricas à chuva ou condições de humidade.**  
*A entrada de água numa ferramenta eléctrica aumentará o risco de choques eléctricos.*
- Não abuse do fio. Nunca utilize o fio para transportar, puxar ou desligar a ferramenta eléctrica. Mantenha o fio afastado do calor, óleo, margens afiadas ou peças em movimento.**  
*Os fios danificados ou entrelaçados podem aumentar o risco de choques eléctricos.*
- Quando trabalhar com uma ferramenta eléctrica no exterior, utilize uma extensão adequada para utilização exterior.**  
*A utilização de um fio adequado para utilização no exterior reduz o risco de choques eléctricos.*
- Se não for possível evitar a utilização de uma máquina eléctrica num local húmido, utilize uma fonte de alimentação protegida por um dispositivo de corrente residual (RCD).**  
*A utilização de um RCD reduz o risco de choque eléctrico.*

#### 3) Segurança pessoal

- Mantenha-se alerta, esteja atento ao que está a fazer e utilize senso comum quando trabalhar com uma ferramenta eléctrica. Não utilize uma ferramenta eléctrica quando estiver cansado ou sob a influência de drogas, álcool ou medicamentos.**  
*Um momento de desatenção enquanto trabalha com ferramentas eléctricas pode resultar em ferimentos pessoais graves.*

- Utilize equipamento de protecção pessoal. Utilize sempre protecção para os olhos.**  
*O equipamento de protecção, tal como uma máscara de pó, sapatos de segurança anti-derrapantes, chapéu rígido ou protecção auricular utilizados para condições adequadas reduzirá os ferimentos pessoais.*
  - Evite ligar por acidente. Certifique-se de que o interruptor está na posição de desligado antes de ligar a fonte de alimentação e/ou bateria, levantar ou transportar a ferramenta.**  
*Transportar ferramentas eléctricas com o dedo no interruptor ou activar ferramentas que estão com o interruptor ligado é propício a acidentes.*
  - Remova qualquer chave de parafusos ou chave-inglesa de regulação antes de ligar a ferramenta.**  
*Uma chave-inglesa ou de parafusos ligada à parte rotativa da ferramenta pode provocar ferimentos pessoais.*
  - Não se estique. Mantenha sempre o controlo e equilíbrio adequados.**  
*Isto permite obter um melhor controlo da ferramenta em situações inesperadas.*
  - Use vestuário adequado. Não use roupas largas ou jóias. Mantenha o cabelo, roupas e luvas afastados das peças móveis.**  
*As roupas largas, jóias ou cabelo comprido podem ser apanhados em peças móveis.*
  - Se forem fornecidos dispositivos para a ligação de extractores de pó e dispositivos de recolha, certifique-se de que estes estão ligados e são utilizados adequadamente.**  
*A utilização de uma recolha de pó pode reduzir os perigos relacionados com o pó.*
- #### 4) Utilização da ferramenta e manutenção
- Não force a ferramenta eléctrica. Utilize a ferramenta correcta para a sua aplicação.**  
*A ferramenta correcta fará o trabalho melhor e com mais segurança à velocidade para a qual foi concebida.*
  - Não utilize a ferramenta eléctrica se o interruptor não a ligar ou desligar.**  
*Qualquer ferramenta que não possa ser controlada com o interruptor é perigosa e deve ser reparada.*
  - Desligue a ficha da rede antes e/ou a bateria da ferramenta eléctrica antes de efectuar quaisquer regulações, mudar os acessórios ou guardar ferramentas eléctricas.**  
*Tais medidas de segurança de prevenção reduzem o risco de ligar a ferramenta eléctrica acidentalmente.*
  - Guarde as ferramentas eléctricas fora do alcance de crianças e não permita que pessoas não habituadas à ferramenta eléctrica ou estas instruções trabalhem com a ferramenta.**  
*As ferramentas eléctricas são perigosas nas mãos de utilizadores inexperientes.*
  - Efectue a manutenção de ferramentas eléctricas. Verifique a existência de desalinhamentos ou dobragens das peças móveis, quebras de peças e quaisquer outras condições que possam afectar o funcionamento das ferramentas eléctricas. Se danificada, mande reparar a ferramenta antes de utilizar.**  
*Muitos acidentes são causados por ferramentas com má manutenção.*
  - Mantenha as ferramentas de corte afiadas e limpas.**  
*As ferramentas de corte com uma manutenção adequada e extremidades afiadas são menos propensas a dobrar e mais fáceis de controlar.*

- g) Utilize a ferramenta eléctrica, acessórios e pontas de ferramentas, etc., de acordo com estas instruções, tomando em consideração as condições de trabalho e o trabalho a ser efectuado.

*A utilização de uma ferramenta eléctrica para operações diferentes das concebidas pode resultar num mau funcionamento.*

## 5) Manutenção

- a) Faça a manutenção da sua ferramenta eléctrica por um pessoal de reparação qualificado e utilize apenas peças de substituição idênticas.

*Isto garante que a segurança da ferramenta eléctrica é mantida.*


## AVISO

Mantenha afastadas das crianças e pessoas doentes.

Quando não estiverem a ser utilizadas, as ferramentas devem ser guardadas fora do alcance de crianças e pessoas doentes.

## AVISOS DE SEGURANÇA DA SERRA CIRCULAR

### Procedimentos de corte

- a)  **PERIGO:** Mantenha as mãos afastadas da área de corte e da lâmina. Mantenha a outra mão na pega auxiliar ou caixa do motor.

*Se ambas as mãos estiverem a segurar na serra, não serão cortadas pela lâmina.*

- b) Não coloque as mãos debaixo da peça de trabalho.

*A protecção não o pode proteger da lâmina se as mãos estiverem debaixo da peça de trabalho.*

- c) Ajuste a profundidade de corte para a espessura da peça de trabalho.

*Deve ser visível menos de um dente total dos dentes da lâmina abaixo da peça de trabalho.*

- d) Nunca segure na peça a cortar com as mãos ou em cima da perna. Fixe a peça de trabalho a uma plataforma estável.

*É importante suportar correctamente a peça de trabalho para minimizar a exposição do corpo, dobragem da lâmina ou perda de controlo.*

- e) Apenas segure na ferramenta eléctrica através das superfícies de agarre protegidas, quando efectuar uma operação onde a ferramenta de corte pode tocar em cabos escondidos ou o seu próprio cabo.

*Tocar num cabo com corrente, também fará com que as partes expostas da ferramenta fiquem com corrente e podem dar um choque eléctrico ao operador.*

- f) Quando serrar ao comprido, utilize sempre uma protecção de serragem ao comprido ou um guia de margens direitas.

*Isto melhora a precisão do corte e reduz a possibilidade de dobragem da lâmina.*

- g) Utilize sempre lâminas com a dimensão e formato correctos (diamante versus redondo) dos orifícios de fixação.

*As lâminas que não correspondam às ferramentas de montagem da serra funcionarão de forma descentrada, provocando a perda de controlo.*

- h) Nunca utilize anilhas ou parafusos das lâminas incorrectos ou danificados.

*As lâminas e parafusos da lâmina foram especialmente concebidos para a sua serra, para um excelente desempenho e funcionamento seguro.*

### Causas de recuo e avisos relacionados

- o ressalto é uma reacção súbita a uma lâmina de serra atarracada, enrolada ou desalinhada, fazendo com que uma serra descontrolada se levante da peça de trabalho, na direcção do operador;
- quando a lâmina está atarracada ou bastante apertada na trava, a lâmina pára e a reacção do motor faz com que a unidade salte na direcção do operador;
- se a lâmina ficar torcida ou desalinhada no corte, os dentes da margem traseira da lâmina pode enterrar-se na superfície superior da madeira, fazendo com que a lâmina saia da trava e salte na direcção do operador.

O ressalto é o resultado de um má utilização e/ou procedimentos ou condições de operação incorrectos da serra e pode ser evitado tomando as devidas precauções, tal como indicado em baixo.

- a) **Agarre bem com ambas as mãos na serra e coloque os braços para resistir às forças de ressalto. Coloque o corpo num dos lados da lâmina, mas não alinhado com a lâmina.**

*O resultado pode fazer com que a lâmina salte para trás, mas as forças de ressalto podem ser controladas pelo operador, se forem tomadas as devidas precauções.*

- b) **Quando a lâmina estiver a dobrar ou quando interromper o corte por alguma razão, solte o gatilho e segure na serra sem mexer até que lâmina pare completamente.**

**Nunca tente remover a serra da peça de trabalho ou puxe a serra para trás até que a lâmina estiver em movimento, caso contrário pode acontecer um ressalto.**

*Investigue e tome medidas de correcção para eliminar a causa da dobragem da lâmina.*

- c) **Quando reiniciar uma lâmina na peça de trabalho, centre a lâmina de serra na trava e verifique se os dentes da serra não estão encostados ao material.**

*Se a lâmina de serra estiver a dobrar, pode subir ou ressaltar da peça de trabalho se a serra for reiniciada.*

- d) **Suporte os painéis de grandes dimensões para minimizar o risco da lâmina ficar atarracada ou ressaltar.**

*Os grandes painéis tendem dobrar sob o seu próprio peso. Os suportes devem ser colocados debaixo do painel em ambos os lados, perto da linha de corte e perto da extremidade do painel.*

- e) **Não utilize lâminas rombas ou danificadas.**

*As lâminas não afiadas ou incorrectamente instaladas criam uma trava estreita, causando uma fricção excessiva, dobragem da lâmina e ressalto.*

- f) **A profundidade da lâmina e alavancas de bloqueio do ajuste devem estar apertadas fixas antes de efectuar o corte.**

*Se a regulação da lâmina mudar durante o corte, pode provocar a dobragem e ressaltos.*

- g) **Utilize um cuidado adicional quando serrar em paredes existentes ou noutras zonas sem visibilidade.**

*A lâmina protuberante pode cortar objectos que provoquem ressaltos.*

**Função de protecção inferior**

a) **Verifique se a protecção inferior está correctamente fechada antes de cada utilização. Não trabalhe com a serra se a protecção inferior não se mover livremente e fechar instantaneamente. Nunca prenda ou amarre a protecção inferior na posição aberta. Se a serra for acidentalmente deixada cair, a protecção inferior pode ficar dobrada.**

*Levante a protecção inferior com a pega retráctil e certifique-se de que se move livremente e não toque na lâmina ou em qualquer outra parte, em todos os ângulos e profundidade de corte.*

b) **Verifique o funcionamento da mola da protecção inferior. Se a protecção e a mola não estiverem a funcionar correctamente, devem ser reparadas antes de utilizar.**

*A protecção inferior pode funcionar incorrectamente devido a peças danificadas, depósitos acumulados ou acumulação de detritos.*

c) **A protecção inferior pode ser recolhida manualmente apenas para cortes especiais, tais como "cortes em profundidade" e "cortes compostos". Levante a protecção inferior retraindo a pega e logo que a lâmina entre no material, a protecção inferior deve ser libertada.**

*Para outras serragens, a protecção inferior deve funcionar de forma automática.*

d) **Verifique sempre se a protecção inferior está a cobrir a lâmina antes de colocar a serra no banco ou solo.**

**Uma lâmina de corte ao comprido desprotegida fará com que a serra ande para trás, cortando o que estiver no seu caminho.**

*Verifique o tempo que demora à lâmina a parar após o gatilho ter sido libertado.*

**Função de lâmina fendida**

a) **Utilize a serra adequada para a lâmina fendida.**

*Para a função de lâmina fendida, o corpo da lâmina deve ser mais fino do que a lâmina fendida e a largura de corte da lâmina deve ser mais larga do que a espessura da lâmina fendida.*

b) **Ajuste a lâmina fendida, tal como descrito no manual de instruções.**

*O espaçamento e alinhamento incorrectos poderão tornar a lâmina fendida ineficaz para evitar os coices.*

c) **Utilize sempre a lâmina fendida, excepto quando cortar em inclinação.**

*A lâmina fendida deve ser substituída após o corte em inclinação. A lâmina fendida provoca interferências durante o corte em inclinação e pode provocar coices.*

d) **Para que a lâmina fendida funcione, deve estar engatada na peça de trabalho.**

*A lâmina fendida é ineficaz em evitar coices durante os cortes curtos.*

e) **Não utilize a serra se a lâmina fendida estiver dobrada.**

*Mesmo uma pequena interferência pode abrandar a velocidade de fecho da protecção.*

**PRECAUÇÕES NO USO DA SERRA CIRCULAR**

1. Não use as lâminas de serra que estejam deformadas ou quebradas.
2. Não use lâminas de serra feitas de aço rápido.
3. Não use lâminas de serra que não estejam de acordo com as características especificadas nestas instruções.
4. Não pare as lâminas de serra utilizando pressão lateral sobre o disco.
5. Mantenha sempre as lâminas bem afiadas.
6. Certifique-se de que a cobertura inferior se move com suavidade e livremente.
7. Nunca utilize a serra circular com a cobertura inferior bloqueada na posição de aberta.
8. Certifique-se que o mecanismo de retração do sistema de guarda opera corretamente.
9. O corpo das lâminas de serra devem ser mais finos que a lâmina fendida e que a espessura para cortar, ou corte (com o conjunto de dentes) deve ser maior que a da lâmina fendida.
10. Não opere nunca a serra circular com a lâmina de serra virada para cima ou para o lado.
11. Certifique-se de que o material está livre de materiais estranhos como pregos.
12. A lâmina fendida deve ser usada sempre ao cravar no meio da peça a ser trabalhada.
13. Para os modelos C6U2 e C6BU2, o limite das lâminas da serra deve ser de 165 mm a 162 mm. Para os modelos C7U2 e C7BU2, o limite das lâminas da serra deve ser de 190 mm a 185 mm.
14. Para os modelos C6BU2 e C7BU2, tome atenção aos coices.  
Os modelos C6BU2 e C7BU2 possuem um travão eléctrico que funciona quando o interruptor é libertado. Uma vez que existe um pouco de coice quando o travão é activado, certifique-se de que segura bem no corpo principal.
15. De vez em quando podem surgir fagulhas causadas pela operação de frenagem quando o interruptor estiver desligado (OFF) pois os modelos C6BU2 e C7BU2 utilizam freios eléctricos. Saiba, no entanto, que este fenómeno não é um problema da máquina.
16. Para os modelos C6BU2 e C7BU2, quando o travão fica ineficaz, substitua as escovas por umas novas.
17. Desconecte o plugue da tomada antes de realizar qualquer ajuste, conserto ou manutenção.

## ESPECIFICAÇÕES

Modelo		C6U2	C6BU2	C7U2	C7BU2
Voltagem (por áreas)*		(110 V, 120 V, 127 V, 220 V, 230 V, 240 V) ~			
Cutting Depth	90°	54 mm		66 mm	
	45°	39 mm		48 mm	
Potência de entrada*		1100 W		1200 W	
Rotação sem carga		5500 min <sup>-1</sup>			
Peso (sem fio)		3,5 kg		4,0 kg	

\* Não deixe de verificar a voltagem na placa identificadora constante do produto, pois ela está sujeita a mudanças conforme a área.

## ACESSÓRIOS PADRÃO

- (1) Lâmina de serra (montada na ferramenta) ..... 1  
 ( Diâmetro 165 mm .... C6U2, C6BU2 )  
 ( Diâmetro 190 mm .... C7U2, C7BU2 )
  - (2) Chave de barra sextavada ..... 1
  - (3) Guarda ..... 1
  - (4) Parafuso-borboleta ..... 1
  - (5) Alavanca (curta) ..... 1
  - (6) Colector de pó ..... 1
- Os acessórios-padrão estão sujeitos a mudanças sem aviso prévio.

## ACESSÓRIOS OPCIONAIS

(vendidos separadamente)

- (1) Arruela (A) ... para 16 mm (diâmetro do furo da lâmina de serra)  
 ... para 30 mm (diâmetro do furo da lâmina de serra)
  - (2) Adaptador de guarda de trilho (Veja Fig. 13)
- Os acessórios opcionais estão sujeitos a mudanças sem aviso prévio.

## APLICAÇÕES

Cortar vários tipos de madeira

## ANTES DA OPERAÇÃO

- 1. Fonte de energia**  
 Certifique-se de que a fonte de energia a ser utilizada está conforme às exigências especificadas na placa identificadora do produto.
- 2. Interruptor**  
 Certifique-se de que o interruptor está na posição desligada. Se o plugue estiver conectado a um receptáculo quando o interruptor estiver ligado, a ferramenta elétrica vai começar a operar imediatamente, podendo provocar um grave acidente.
- 3. Cabo de extensão**  
 Quando o local de trabalho não possuir uma fonte de energia, utilize um cabo de extensão de espessura e de potência nominal suficientes. A extensão deve ser mantida tão curta quanto possível.

## 4. Prepare uma bancada de trabalho de madeira (Fig. 1)

Como a lâmina de serra se estende além da superfície mais baixa da madeira, coloque a madeira numa bancada de trabalho ao cortá-la. Se for utilizado um bloco quadrado como bancada de trabalho, selecione um piso nivelado para assegurar-se de que ela está adequadamente estável. Uma banca instável pode tornar a operação arriscada.

## CUIDADO

Para evitar um possível acidente, assegure-se sempre de que a porção de madeira que sobrar depois do corte esteja ancorada firmemente ou segura na posição.

## AJUSTE DA SERRA ANTES DO USO

### 1. Ajuste da profundidade do corte

Como mostra a Fig. 2, segure o cabo com uma mão enquanto afrouxa o botão com a outra. A profundidade de corte pode ser ajustada movendo-se a base para a posição desejada. Dessa maneira, ajuste a profundidade do corte e depois reaperte firmemente o botão.

### 2. Ajuste da lâmina fendida

Solte o parafuso de cabeça sextavada utilizado para fixar a lâmina fendida, ajuste a lâmina fendida de forma a que a distância entre a lâmina fendida e o rebordo da lâmina não seja superior a 3 mm, e o rebordo da lâmina não se estenda mais do que 3 mm para lá da extremidade inferior da lâmina fendida (Fig. 3) e volte a apertar bem o parafuso.

### 3. Ajuste o ângulo de inclinação

Tal como indicado na Fig. 4 (A), Fig. 4 (B) ao soltar o parafuso de orelhas no medidor de inclinação e o parafuso de orelhas na base, a lâmina da serra poderá estar inclinada para um ângulo máximo de 45° em relação à base. Após ter concluído a regulação, volte a confirmar se a porca de orelhas e o parafuso de orelhas se encontram bem apertados.

### 4. Regulagem da guarda (Fig. 5)

A posição de corte pode ser regulada, movendo-se a guarda para a esquerda ou para a direita depois de afrouxar seu parafuso-borboleta. A guarda pode ser montada do lado direito ou do esquerdo da ferramenta.

**5. Ajuste da guarda**

Na serra circular, é possível fazer ajustes finos da posição de fixação da guarda, onde a lâmina de serra e a linha de referência devem ser alinhadas. Quando a serra é embarcada na fábrica, a porção linear da escala frontal na guarda está alinhada na posição central da lâmina de serra (Fig. 6). Desaperte o parafuso M4 fixo na peça guia, caso a posição de fixação esteja incorrecta, e ajuste a posição consoante o necessário.

**6. Utilizar o colector de pó**

Para utilizar o aspirador para recolher a serradura, ligue o tubo flexível de aspiração ao colector de pó que está ligado à unidade principal pelos parafusos M4 e M5. Quando ligar o colector de pó, certifique-se sempre de que muda a alavanca para o tipo curto nessa altura (Fig. 12).

**CUIDADO**

Se continuar a utilizar a alavanca que foi ligada à unidade principal na fábrica, antes do envio, fará com que esta se dobre no colector de pó e interfira com o funcionamento da protecção inferior.

**PROCEDIMENTOS DE CORTE**

1. Coloque a base sobre o material, depois ajuste a linha de referência e a lâmina de serra com a seção de escala frontal da guarda na parte da frente da base (Fig. 6).

Quando a base não estiver inclinada, use o recorte como guia (Fig. 6, Fig. 7 (A)).

Se a base estiver inclinada (45 graus), use a pequena escala frontal como guia (Fig. 6, Fig. 7 (B)).

2. Assegure-se de que o interruptor está na posição ligada (ON) antes de a lâmina de serra entrar em contato com a madeira. O interruptor está ligado (ON) quando o gatilho for apertado; e desligado (OFF) quando o gatilho for solto.
3. Movimentar a serra reta em velocidade constante produz cortes perfeitos.

**CUIDADOS**

Antes de efectuar uma operação de corte, verifique o material que vai cortar. Se o material a ser cortado puder gerar pós tóxicos / perigosos, certifique-se de que está ligado o saco do pó ou um sistema de extracção adequado à saída de pó.

Além disso, use a máscara de pó, se disponível.

Foi aplicado um revestimento de PTFE às bases do tipo C6BU2 e C7BU2. Tenha cuidado para não premir com demasiada força no corpo da unidade, uma vez que isso tende a colocar uma grande carga no motor. Utilizar uma pressão suave tornará o deslização da peça mais fácil e permitirá cortar com menos força. Tentar cortar madeira que está coberta com material de partículas dura, tais como areia ou partículas de metal tende a danificar e arranhar o revestimento da superfície, por isso tenha cuidado.

- Antes de iniciar a serra, assegure-se de que a lâmina de serra atingiu giro de velocidade total.
- Caso a lâmina de serra seja interrompida ou produza um ruído anormal durante a operação, desligue o interruptor imediatamente.
- Tome sempre cuidado para que o cabo de força não chegue perto da serra circular em funcionamento.

- Utilizar a serra circular com a lâmina da serra virada para cima ou de lado é muito perigoso. Esse tipo de utilizações pouco comuns deve ser evitada.
- Quando cortar materiais, utilize sempre óculos de protecção.
- Quando terminar o trabalho, retire a ficha da tomada.

**MONTAGEM E DESMONTAGEM DA LÂMINA DE SERRA****CUIDADO**

Para evitar um acidente grave, certifique-se que o interruptor está na posição desligada (OFF), e que a fonte de energia está desconectada.

**1. Desmontagem da lâmina de serra**

- (1) Coloque o volume de corte no máximo e a serra circular como mostra a Fig. 8.
- (2) Prima a alavanca de bloqueio, bloqueie o eixo e remova o parafuso de cabeça sextavada com a chave de barra sextavada.
- (3) Enquanto segura na alavanca da protecção inferior para manter a protecção inferior totalmente recolhida para dentro da tampa da serra, remova a lâmina da serra.

**2. Montagem da lâmina de serra**

- (1) Remova minuciosamente qualquer serragem que tenha se acumulado no eixo, parafusos e arruelas.
- (2) Conforme mostra a Fig. 9, o lado da arruela (A) com um centro saliente do mesmo diâmetro que o diâmetro interno da lâmina de serra e o lado côncavo da arruela (B) devem ser colocados nos lados da lâmina de serra.

\* A arruela (A) é fornecida para dois tipos de lâminas de serra com diâmetros do furo de 16 mm e 30 mm. (Ao comprar a Serra Circular, um tipo de arruela (A) é fornecido.)

No caso em que o diâmetro do furo de sua lâmina de serra não corresponda ao da arruela (A), contate a loja onde você adquiriu sua Serra Circular.

- (3) Para garantir uma direção correta da rotação da lâmina de serra, a direção da seta na lâmina de serra deve coincidir com a direção da seta na tampa da serra.
- (4) Utilizando os dedos, aperte o parafuso de cabeça sextavada que fixa a lâmina da serra tanto quanto possível. De seguida, prima a alavanca de bloqueio, tranque o eixo e aperte bem o parafuso.

**CUIDADO**

Depois de prender a lâmina de serra, verifique novamente se a alavanca de bloqueio está bem presa na posição prescrita.

**MANUTENÇÃO E INSPEÇÃO****1. Inspeção da lâmina de serra**

Como o uso da lâmina de serra cega diminui a eficácia e pode causar um mau funcionamento do motor, afie ou substitua a lâmina de serra logo que notar que existe desgaste da mesma.

**2. Inspeção dos parafusos de montagem**

Inspeccione regularmente todos os parafusos de montagem e se certifique de que estão corretamente apertados. Se algum deles estiver frouxo, reaperte-o imediatamente. Caso isso não seja feito, pode resultar em perigo grave.

### 3. Inspeção das escovas de carvão (Fig. 10)

O motor emprega escovas de carvão que são peças de consumo. Como uma escova de carvão excessivamente desgastada pode provocar problemas no motor, troque-a por uma nova que tenha o mesmo número mostrado na ilustração. Além disso, mantenha as escovas de carvão sempre limpas e certifique-se de que elas deslizam livremente nos suportes de escova.

### CUIDADOS

- Ao substituir escovas de carvão por novas, use sempre peças genuínas Hitachi com o número (56) especificado no desenho.
- Para o modelo C6BU2 e C7BU2, o travão poderá não funcionar se forem utilizadas outras escovas diferentes das especificadas. Quando o freio se tornar ineficaz, substitua as escovas de carvão por novas.

### 4. Troca de escovas de carvão

Desmonte a proteção da escova com uma chave de fenda. As escovas de carvão podem, então, ser facilmente removidas.

### 5. Manutenção do motor

A unidade de enrolamento do motor é o verdadeiro “coração” da ferramenta elétrica. Cuide bem para assegurar que o enrolamento não se danifique e/ou se molhe com óleo ou água.

### 6. Ajuste da base e da lâmina de serra para manter a perpendicularidade

O ângulo entre a base e a lâmina de serra foi ajustada para 90°, no entanto, se esta perpendicularidade for perdida por alguma razão, ajuste novamente da seguinte maneira:

- (1) Vire a base da face para cima (Fig. 11) e desaperte a porca de orelhas e o parafuso de orelhas (Fig. 4 (A), Fig. 4 (B)).
- (2) Aplique um esquadro na base e na lâmina de serra e gire o parafuso com uma chave de fenda, mude a posição da base para produzir o ângulo reto desejado.

### 7. Lista de peças para conserto

- A: Item N°
- B: Código N°
- C: N° Usado
- D: Observações

### CUIDADO

Consertos, modificações e inspeção de Ferramentas Elétricas da Hitachi devem ser realizados por uma Oficina Autorizada da Hitachi.

Esta lista de peças pode ser útil se apresentada com a ferramenta na Oficina Autorizada da Hitachi ao solicitar conserto ou manutenção.

Na operação e na manutenção das ferramentas elétricas, devem-se observar as normas de segurança e os padrões prescritos por cada país.

### MODIFICAÇÃO

As Ferramentas Elétricas da Hitachi estão sempre sendo aperfeiçoadas e modificadas para incorporar os mais recentes avanços tecnológicos.

Dessa forma, algumas peças (isto é, números de código e/ou design) podem mudar sem aviso prévio.

---

## GARANTIA

---

Garantimos que a Hitachi Power Tools obedece às respectivas normas específicas estatutárias/de país. Esta garantia não cobre avarias ou danos derivados de má utilização, abuso ou desgaste normal. Em caso de queixa, envie a Ferramenta, não desmontada, juntamente com o CERTIFICADO DE GARANTIA que se encontra no fundo destas instruções de utilização, para um Centro de Serviço Autorizado Hitachi.

---

### NOTA

Devido ao contínuo programa de pesquisa e desenvolvimento da HITACHI, as especificações aqui contidas estão sujeitas a mudanças sem aviso prévio.

---

---

### Informação a respeito de ruídos e vibração do ar

Os valores medidos foram determinados de acordo com a EN60745 e declarados em conformidade com a ISO 4871.

Nível típico da potência sonora de peso A: 101 dB (A)

Nível típico de pressão sonora de peso A: 90 dB (A)

Imprecisão KpA: 3 dB (A)

Use proteção auditiva.

Os valores totais da vibração (soma do vector triax) são determinados de acordo com a norma EN60745.

Cortar aglomerado:

Valor de emissão de vibrações  $a_h = 2,7 \text{ m/s}^2$

Incerteza de K = 1,5  $\text{m/s}^2$

---

O valor total de vibração declarado foi medido de acordo com um método de teste padrão e pode ser utilizado para comparar ferramentas.

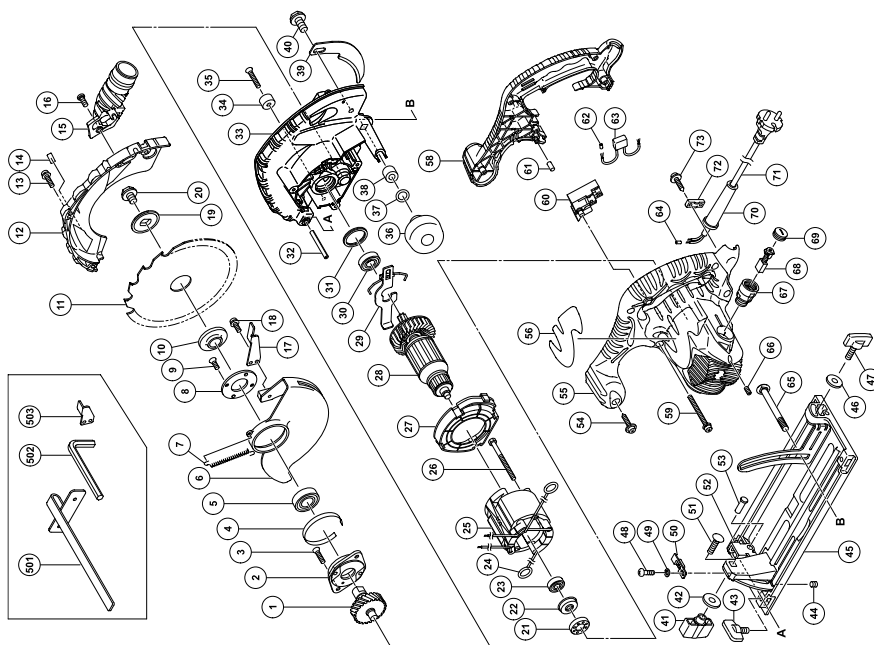
Pode também ser utilizado numa avaliação preliminar de exposição.

### AVISO

- O valor de emissão de vibrações durante a utilização da ferramenta eléctrica pode ser diferente do valor total declarado, consoante as formas de utilização da ferramenta.
- Identificar as medidas de segurança para proteger o operador, que são baseadas numa estimativa de exposição nas actuais condições de utilização (tendo em conta todas as partes do ciclo de funcionamento, tais como os tempos em que a ferramenta é desligada e quando está a funcionar ao ralenti, além do tempo de accionamento do gatilho).



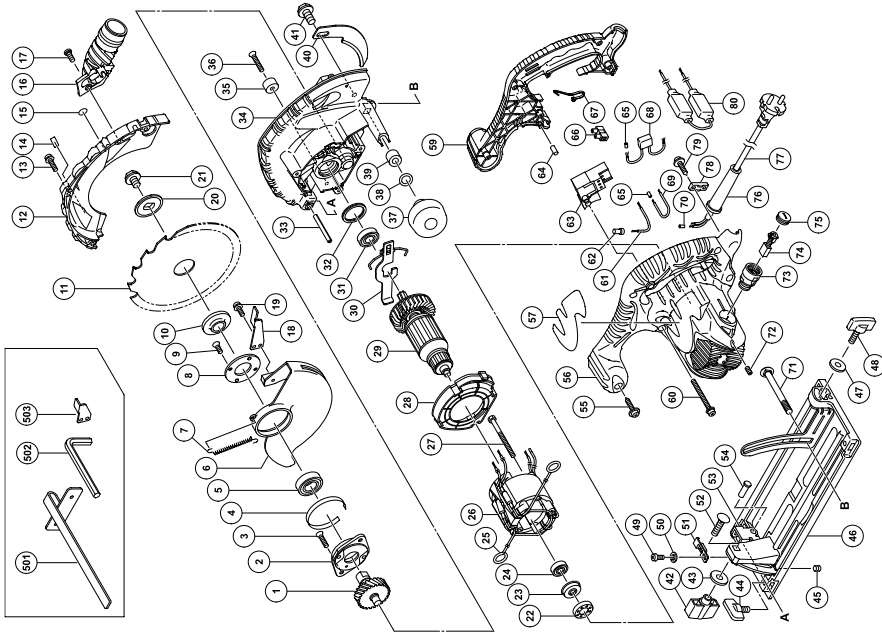
# C6U2



A	B	C	D
48	949-214	1	M4 x 6
49	949-453	1	M4
50	324-659	1	M8 x 30
51	302-457	1	D6 x 17
52	308-479	1	D4 x 20
53	308-480	2	"66, 67"
54	301-653	5	
55	324-665	1	
56	324-667	1	
58	302-434	3	M5 x 45
59	963-756Z	1	
60	946-362	1	
61	981-373	2	
62	930-039	2	
63	981-373	2	
64	981-373	2	
65	316-444	1	M8 x 105
66	938-477	2	M5 x 8
67	958-900	2	
68	999-043	2	
69	945-161	2	
70-1	953-327	1	D8,8
70-2	938-051	1	D10,1
71		1	
72	937-631	2	
73	984-750	2	D4 x 16
501	302-756	1	6MM
502	872-422	1	
503	303-338	1	

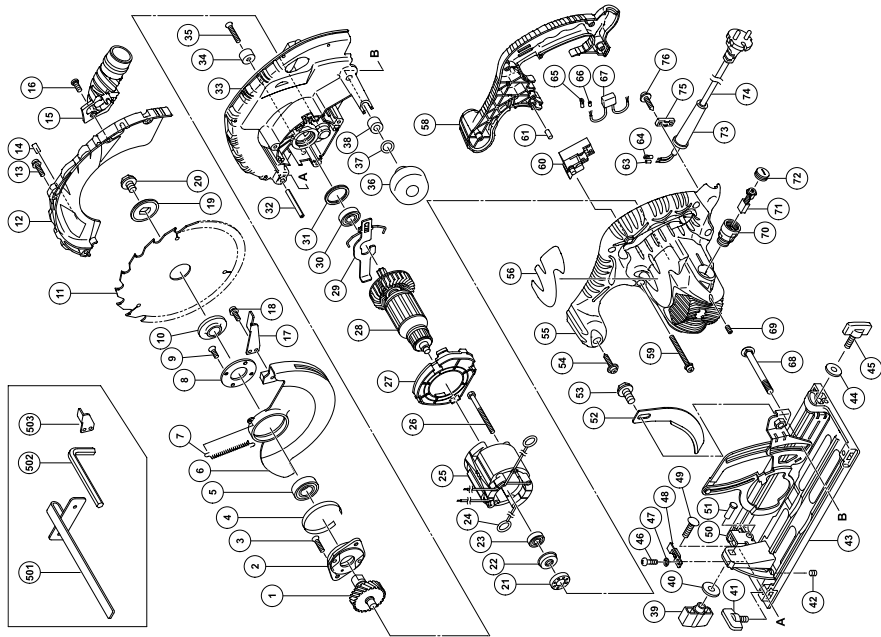
A	B	C	D
1	302-449	1	
2	302-433	1	
3	992-013	2	M5 x 14
4	961-807	1	
5	600-3VV	1	6003VVCMP52L
6	324-677	1	
7	302-463	1	
8	302-435	1	
9	990-430	2	M4 x 10
10	302-476	1	
11	324-678	1	
12	324-674	1	
13	305-691	4	M4 x 14
14		1	
15	324-669	1	
16	324-139	1	
17	302-464	1	
18	304-043	1	M4 x 10
19	302-423	1	
20	324-662	1	M8 x 15,5
21	325-060	1	
22	322-089	1	
23	608-VVM	1	608VVC2PS2L
24	930-703	2	
25	340-641E	1	230V "24"
26	953-121	2	D5 x 50
27	324-675	1	
28	360-729E	1	230V
29	324-655	1	
30	600-1VV	1	6001VVCMP52L
31	958-130	1	
32	949-686	1	D6 x 40
33	324-673	1	"31, 34, 35"
34	961-729	1	
35	949-794	1	M6 x 20
36	324-660	1	
37	676-531	1	P-7
38	303801	1	
39	303-838	1	
40	324-664	1	M8 x 10
41	324-658	1	M8
42	949-433	1	M8
43	301-806	1	M6 x 15
44	302-469	1	M6 x 6
45	324-676	1	"41, 42, 46-53"
46	949-425	1	M6
47	302-459	1	M6 x 17

# C6BU2



A	B	C	D	A	B	C	D
1	302-449	1	1	48	302-459	1	M6 x 17
2	302-433	1	1	49	949-214	1	M4 x 6
3	992-013	2	M5 x 14	50	949-453	1	M4
4	961-807	1	6003VVCMP2L	51	324-659	1	M8 x 30
5	600-3VV	1		52	302-457	1	M8 x 30
6	324-677	1		53	308-479	1	D6 x 17
7	302-463	1		54	308-480	5	D4 x 20
8	302-435	2	M4 x 10	55	301-653	5	"72, 73"
9	990-430	1		56	324-682	1	
10	302-476	1		57		1	
11	324-678	1		59	324-683	3	M5 x 45
12	324-674	1		60	302-434	1	70L
13	305-691	4	M4 x 14	61	324-680	1	
14		1		62	959-141	1	
15		1		63	316-445	1	
16	324-669	1		64	946-362	1	
17	324-139	1		65	981-373	2	
18	302-464	1		66	938-307	1	
19	304-043	1	M4 x 10	67	313-505	1	
20	302-423	1		68	930-039	1	100L
21	324-662	1	M8 x 15.5	69	324-681	1	
22	325-060	1		70	981-373	1	
23	322-089	1		71	316-444	1	M8 x 105
24	608-VVM	1	608VVC2PS2L	72	938-477	2	M5 x 8
25	930-703	2		73	960-685	2	
26	340-424G	1	230V "25"	74	999-056	2	
27	953-121	2	D5 x 50	75	945-161	2	
28	324-675	1		76-1	953-327	1	D8,8
29	360-729E	1	230V	76-2	938-051	1	D10,1
30	324-655	1		77		1	
31	600-1VV	1	6001VVCMPS2L	78	937-631	1	
32	958-130	1		79	984-750	2	D4 x 16
33	949-686	1	D6 x 40	80	316-446	1	
34	324-673	1	"32, 35, 36"	501	302-756	1	
35	961-729	1		502	872-422	1	6MM
36	949-794	1	M6 x 20	503	303-338	1	
37	324-660	1					
38	676-531	1	P-7				
39	303-801	1					
40	303-838	1	M8 x 10				
41	324-664	1	M8				
42	324-658	1	M8				
43	949-433	1	M8				
44	301-806	1	M6 x 15				
45	302-469	1	M6 x 6				
46	324-679	1	"42, 43, 47-54"				
47	949-425	1	M6				

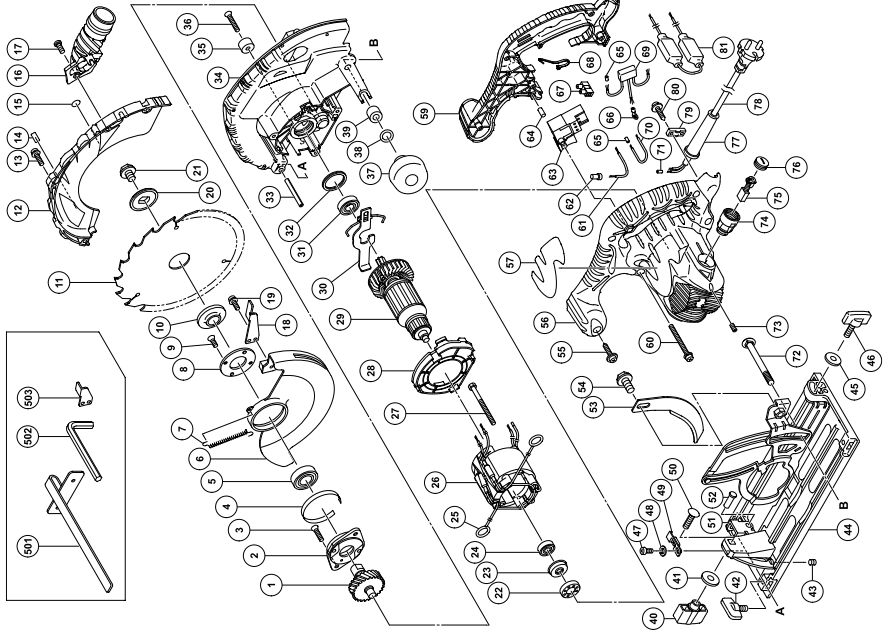
# C7U2



A	B	C	D
46	949-214	1	M4 x 6
47	949-453	1	M4
48	324-659	1	M8 x 30
49	302-457	1	M8 x 17
50	308-479	1	D6 x 17
51	308-480	2	D6 x 17
52	324-663	1	M8 x 10
53	324-664	1	M8 x 10
54	301-653	5	D4 x 20
55-1	324-665	1	"69, 70" "SAF"
55-2	324-666	1	"69, 70" "SAF"
56	324-667	1	
58	324-667	1	
59	302-434	3	M5 x 45
60-1	963-756Z	1	"SAF"
60-2	302-470	1	"SAF"
61	946-362	1	
63	981-373	2	
64	980-063	2	
65	930-804	2	M4.0
66	981-373	2	
67	930-039	1	
68	316-444	1	M8 x 105
69	938-477	2	M5 x 8
70	958-900	2	
71	999-043	2	
72	945-161	2	
73	953-327	1	D8.8 (CORD ARMOR D8.8)
74	937-631	1	
75	937-631	1	
76	984-750	2	D4 x 16
501	302-756	1	
502	872-422	1	6MM
503	303-338	1	

A	B	C	D
1	302-988	1	
2	302-433	2	M5 x 14
3	992-013	1	
4	961-807	1	6003VVCMP2L
5	600-3VV	1	
6	324-661	1	
7	302-512	1	
8	302-435	1	
9	990-430	2	M4 x 10
10	302-476	1	
11	324-668	1	
12	324-654	1	
13	305-691	4	M4 x 14
14	324-669	1	
15	324-139	1	
16	302-464	1	
17	302-464	1	
18	304-043	1	M4 x 10
19	302-423	1	
20	324-662	1	M8 x 15.5
21	325-060	1	
22	322-089	1	
23	608-VVM	1	608VVC2PS2L
24	930-703	2	
25-1	340-640C	1	110V "24"
25-2	340-640E	1	230V "24"
26	953-174	2	D5 x 55
27	324-656	1	
28-1	360-727C	1	110V
28-2	360-727E	1	230V
29	324-655	1	
30	600-1VV	1	6001VVCMP2L
31	958-130	1	
32	949-686	1	D6 x 40
33	324-653	1	"31, 34, 35"
34	961-729	1	
35	949-794	1	M6 x 20
36	324-660	1	
37	676-531	1	P-7
38	303-801	1	
39	324-658	1	M8
40	949-433	1	M8
41	301-806	1	M6 x 15
42	302-469	1	M6 x 6
43	324-657	1	"39, 40, 44-51"
44	949-425	1	M6
45	302-459	1	M6 x 17

# C7BU2



A	B	C	D	A	B	C	D
1	302-988	1	1	46	302-459	1	M6 x 17
2	302-433	1	1	47	949-214	1	M4 x 6
3	992-013	2	M5 x 14	48	949-453	1	M4
4	961-807	1	6003VVCMP2L	49	324-659	1	M8 x 30
5	600-3VV	1		50	302-457	1	
6	324-661	1		51	308-479	1	
7	303-512	1		52	308-480	2	D6 x 17
8	302-435	1		53	324-663	1	
9	990-430	2	M4 x 10	54	324-664	1	M8 x 10
10	302-476	1		55	301-653	5	D4 x 20
11	324-668	1		56	324-682	1	"73, 74"
12	324-654	1		57	-----	1	
13	305-691	4	M4 x 14	59	324-683	1	
14	-----	1		60	302-434	3	M5 x 45
15	-----	1		61	324-680	1	70L
16	324-669	1		62	959-141	1	
17	324-139	1		63	316-445	1	
18	302-464	1		64	946-362	1	
19	304-043	1	M4 x 10	65-1	981-373	2	
20	302-423	1		65-2	981-373	1	"GBR (110V)"
21	324-662	1	M8 x 15.5	66	961-419Z	1	"GBR (110V)"
22	325-060	1		67	938-307	1	
23	322-089	1		68	313-505	1	
24	608-VVM	1	608VVC2PS2L	69-1	930-039	1	
25	930-703	2		69-2	994-273	1	"GBR (110V)"
26-1	340-445G	1	110V "25"	70	324-681	1	100L
26-2	340-425G	1	230V "25"	71	981-373	1	
27	953-174	2	D5 x 55	72	316-444	1	M8 x 105
28	324-656	1		73	938-477	2	M5 x 8
29-1	360-726C	1	110V	74	960-685	2	
29-2	360-726E	1	230V	75	999-056	2	
30	324-655	1		76	945-161	2	
31	600-1VV	1	6001VVCMP2L	77-1	953-327	1	D8.8
32	958-130	1		77-2	938-051	1	D10.1
33	949-686	1		78	-----	1	
34	324-653	1	D6 x 40	79	937-631	1	
35	961-729	1	"32, 35, 36"	80	984-750	2	D4 x 16
36	949-794	1	M6 x 20	81	316-446	1	
37	324-660	1		501	302-756	1	
38	676-531	1	P-7	502	872-422	1	6MM
39	303-801	1		503	303-338	1	
40	324-658	1	M8				
41	949-433	1	M8				
42	301-806	1	M6 x 15				
43	302-469	1	M6 x 6				
44	324-672	1	"40, 41, 45-52"				
45	949-425	1	M6				

<p>English</p> <p style="text-align: center;"><b><u>GUARANTEE CERTIFICATE</u></b></p> <ol style="list-style-type: none"> <li>① Model No.</li> <li>② Serial No.</li> <li>③ Date of Purchase</li> <li>④ Customer Name and Address</li> <li>⑤ Dealer Name and Address (Please stamp dealer name and address)</li> </ol>	<p>Nederlands</p> <p style="text-align: center;"><b><u>GARANTIEBEWIJS</u></b></p> <ol style="list-style-type: none"> <li>① Modelnummer</li> <li>② Serienummer</li> <li>③ Datum van aankoop</li> <li>④ Naam en adres van de gebruiker</li> <li>⑤ Naam en adres van de handelaar (Stempel a.u.b. naam en adres vande de handelaar)</li> </ol>
<p>Deutsch</p> <p style="text-align: center;"><b><u>GARANTIESCHEIN</u></b></p> <ol style="list-style-type: none"> <li>① Modell-Nr.</li> <li>② Serien-Nr.</li> <li>③ Kaufdatum</li> <li>④ Name und Anschrift des Kunden</li> <li>⑤ Name und Anschrift des Händlers (Bitte mit Namen und Anschrift des Handlers abstempeln)</li> </ol>	<p>Español</p> <p style="text-align: center;"><b><u>CERTIFICADO DE GARANTIA</u></b></p> <ol style="list-style-type: none"> <li>① Número de modelo</li> <li>② Número de serie</li> <li>③ Fecha de adquisición</li> <li>④ Nombre y dirección del cliente</li> <li>⑤ Nombre y dirección del distribuidor (Se ruega poner el sellú del distribuidor con su nombre y dirección)</li> </ol>
<p>Français</p> <p style="text-align: center;"><b><u>CERTIFICAT DE GARANTIE</u></b></p> <ol style="list-style-type: none"> <li>① No. de modèle</li> <li>② No de série</li> <li>③ Date d'achat</li> <li>④ Nom et adresse du client</li> <li>⑤ Nom et adresse du revendeur (Cachet portant le nom et l'adresse du revendeur)</li> </ol>	<p>Português</p> <p style="text-align: center;"><b><u>CERTIFICADO DE GARANTIA</u></b></p> <ol style="list-style-type: none"> <li>① Número do modelo</li> <li>② Número do série</li> <li>③ Data de compra</li> <li>④ Nome e morada do cliente</li> <li>⑤ Nome e morada do distribuidor (Por favor, carimbe o nome e morada do distribuidor)</li> </ol>
<p>Italiano</p> <p style="text-align: center;"><b><u>CERTIFICATO DI GARANZIA</u></b></p> <ol style="list-style-type: none"> <li>① Modello</li> <li>② N° di serie</li> <li>③ Data di acquisto</li> <li>④ Nome e indirizzo dell'acquirente</li> <li>⑤ Nome e indirizzo del rivenditore (Si prega di apporre il timbro con questi dati)</li> </ol>	



# HITACHI

①	
②	
③	
④	
⑤	



## **Hitachi Power Tools Europe GmbH**

Siemensring 34, 47877 Willich 1, F. R. Germany

Tel: +49 2154 49930

Fax: +49 2154 499350

URL: <http://www.hitachi-powertools.de>

## **Hitachi Power Tools Netherlands B. V.**

Brabanthaven 11, 3433 PJ Nieuwegein, The Netherlands

Tel: +31 30 6084040

Fax: +31 30 6067266

URL: <http://www.hitachi-powertools.nl>

## **Hitachi Power Tools (U. K.) Ltd.**

Precedent Drive, Rooksley, Milton Keynes, MK 13, 8PJ, United Kingdom

Tel: +44 1908 660663

Fax: +44 1908 606642

URL: <http://www.hitachi-powertools.co.uk>

## **Hitachi Power Tools France S. A. S.**

Prac del' Eglantier 22, rue des Crerisiers Lisses, C. E. 1541,  
91015 EVRY CEDEX, France

Tel: +33 1 69474949

Fax: +33 1 60861416

URL: <http://www.hitachi-powertools.fr>

## **Hitachi Power Tools Belgium N.V. / S.A.**

Koningin Astridlaan 51, 1780 Wommel, Belgium

Tel: +32 2 460 1720

Fax: +32 2 460 2542

URL <http://www.hitachi-powertools.be>

## **Hitachi Fercad Power Tools Italia S.p.A**

Via Retrone 49-36077, Altavilla Vicentina (VI), Italy

Tel: +39 0444 548111

Fax: +39 0444 548110

URL: <http://www.hitachi-powertools.it>

## **Hitachi Power Tools Iberica, S.A.**

C / Migjorn, s/n, Poligono Norte, 08226 Terrassa, Barcelona, Spain

Tel: +34 93 735 6722

Fax: +34 93 735 7442

URL: <http://www.hitachi-powertools.es>


## **Hitachi Power Tools Österreich GmbH**

Str. 7, Objekt 58/A6, Industriezentrum NÖ –Süd 2355

Wiener Neudorf, Austria

Tel: +43 2236 64673/5

Fax: +43 2236 63373

<p>English</p> <p><b>EC DECLARATION OF CONFORMITY</b></p> <p>We declare under our sole responsibility that this product is in conformity with standards or standardization documents EN60745, EN55014 and EN61000 in accordance with Directives 2004/108/EC and 2006/42/EC. This product also conforms to RoHS Directive 2011/65/EU.</p> <p>The European Standards Manager at Hitachi Koki Europe Ltd. is authorized to compile the technical file.</p> <p>This declaration is applicable to the product affixed CE marking.</p>	<p>Nederlands</p> <p><b>EC VERKLARING VAN CONFORMITEIT</b></p> <p>Wij verklaren onder eigen verantwoordelijkheid dat dit product conform de richtlijnen of gestandaardiseerde documenten EN60745, EN55014 en EN61000 voldoet aan de eisen van bepalingen 2004/108/EC en 2006/42/EC. Dit product voldoet ook aan de RoHS-richtlijn 2011/65/EU. De manager voor Europese normen van Hitachi Koki Europe Ltd. heeft de bevoegdheid tot het samenstellen van het technische bestand.</p> <p>Deze verklaring is van toepassing op producten voorzien van de CE-markeringen.</p>
<p>Deutsch</p> <p><b>EG-KONFORMITÄTSERKLÄRUNG</b></p> <p>Wir erklären mit alleiniger Verantwortung, dass dieses Produkt den Standards oder Standardisierungsdokumenten EN60745, EN55014 und EN61000 in Übereinstimmung mit den Direktiven 2004/108/EG und 2006/42/EG entspricht. Dieses Produkt stimmt auch mit der RoHS-Richtlinie 2011/65/EU überein. Der Manager für europäische Standards bei der Hitachi Koki Europe Ltd. ist zum Verfassen der technischen Datei befugt.</p> <p>Diese Erklärung gilt für Produkte, die die CE-Markierung tragen.</p>	<p>Español</p> <p><b>DECLARACIÓN DE CONFORMIDAD DE LA CE</b></p> <p>Declaramos bajo nuestra única responsabilidad que este producto está de acuerdo con las normas o con los documentos de normalización EN60745, EN55014 y EN61000, según indican las Directrices 2004/108/CE y 2006/42/CE. Este producto satisface también los requisitos establecidos por la Directiva 2011/65/EU (RoHS). El Jefe de Normas Europeas de Hitachi Koki Europe Ltd. está autorizado para recopilar archivos técnicos.</p> <p>Esta declaración se aplica a los productos con marcas de la CE.</p>
<p>Français</p> <p><b>DECLARATION DE CONFORMITE CE</b></p> <p>Nous déclarons sous notre seule et entière responsabilité que ce produit est conforme aux normes ou documents de normalisation EN60745, EN55014 et EN61000 en accord avec les Directives 2004/108/CE et 2006/42/CE. Ce produit est aussi conforme à la Directive RoHS 2011/65/EU.</p> <p>Le responsable des normes européennes d'Hitachi Koki Europe Ltd. est autorisé à compiler les données techniques.</p> <p>Cette déclaration s'applique aux produits désignés CE.</p>	<p>Português</p> <p><b>DECLARAÇÃO DE CONFORMIDADE CE</b></p> <p>Declaramos, sob nossa única e inteira responsabilidade, que este produto está de acordo com as normas ou documentos normativos EN60745, EN55014 e EN61000, em conformidade com as Directrizes 2004/108/CE e 2006/42/CE. Este produto está também em conformidade com a Directiva RoHS 2011/65/EU.</p> <p>O Gestor de Normas Europeias da Hitachi Koki Europe Ltd. está autorizado a compilar o ficheiro técnico.</p> <p>Esta declaração se aplica aos produtos designados CE.</p>
<p>Italiano</p> <p><b>DICHIARAZIONE DI CONFORMITÀ CE</b></p> <p>Dichiariamo sotto nostra responsabilità che questo prodotto è conforme agli standard o ai documenti sulla standardizzazione EN60745, EN55014 e EN61000 in conformità alle Direttive 2004/108/CE e 2006/42/CE. Il prodotto è inoltre conforme alla direttiva RoHS 2011/65/EU.</p> <p>Il Responsabile delle Norme Europee di Hitachi Koki Ltd. è autorizzato a compilare la scheda tecnica.</p> <p>Questa dichiarazione è applicabile ai prodotti cui sono applicati i marchi CE.</p>	
<p>Representative office in Europe  <b>Hitachi Power Tools Europe GmbH</b>  Siemensring 34, 47877 Willich 1, F. R. Germany</p> <p>Technical file at:  <b>Hitachi Koki Europe Ltd.</b>  Clonshaugh Business &amp; Technology Park, Dublin 17, Ireland</p> <p>Head office in Japan  <b>Hitachi Koki Co., Ltd.</b>  Shinagawa Intercity Tower A, 15-1, Konan 2-chome,  Minato-ku, Tokyo, Japan</p> <div style="text-align: right;">  <p>31. 10. 2012</p> <p><i>F. Tashimo</i></p> <hr/> <p>F. Tashimo  Vice-President &amp; Director</p> </div>	

 **Hitachi Koki Co., Ltd.**

210

Code No. C99142376 M  
Printed in Malaysia